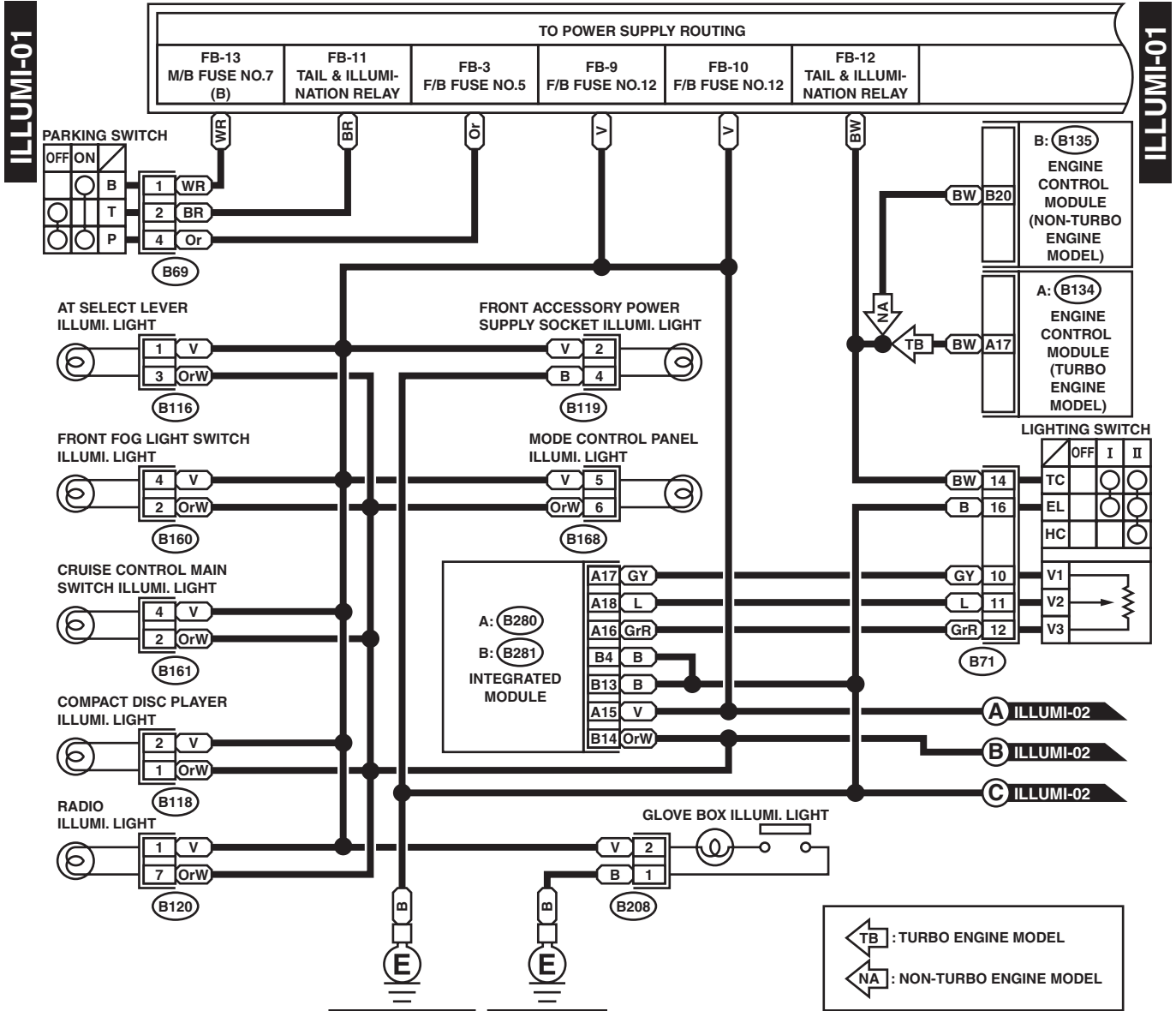


CLEARANCE LIGHT AND ILLUMINATION LIGHT SYSTEM

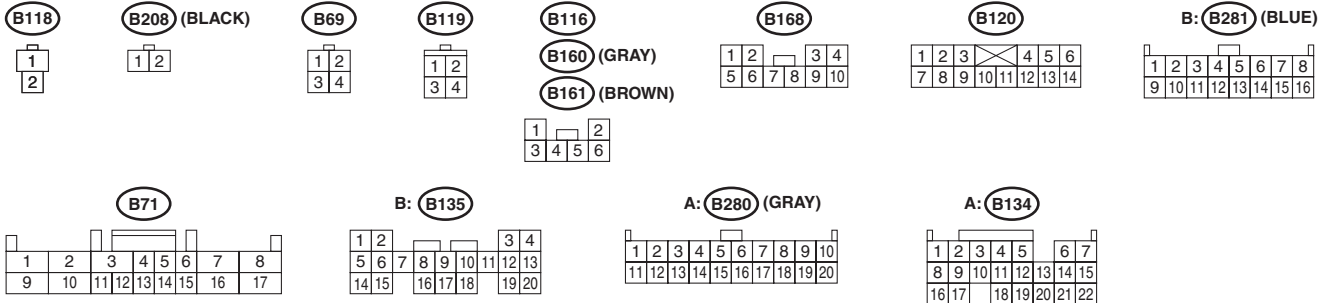
WIRING SYSTEM

25. Clearance Light and Illumination Light System

A: SCHEMATIC



REF. TO GND-01-02 REF. TO GND-03



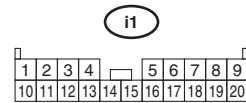
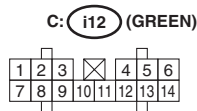
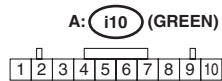
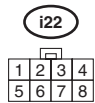
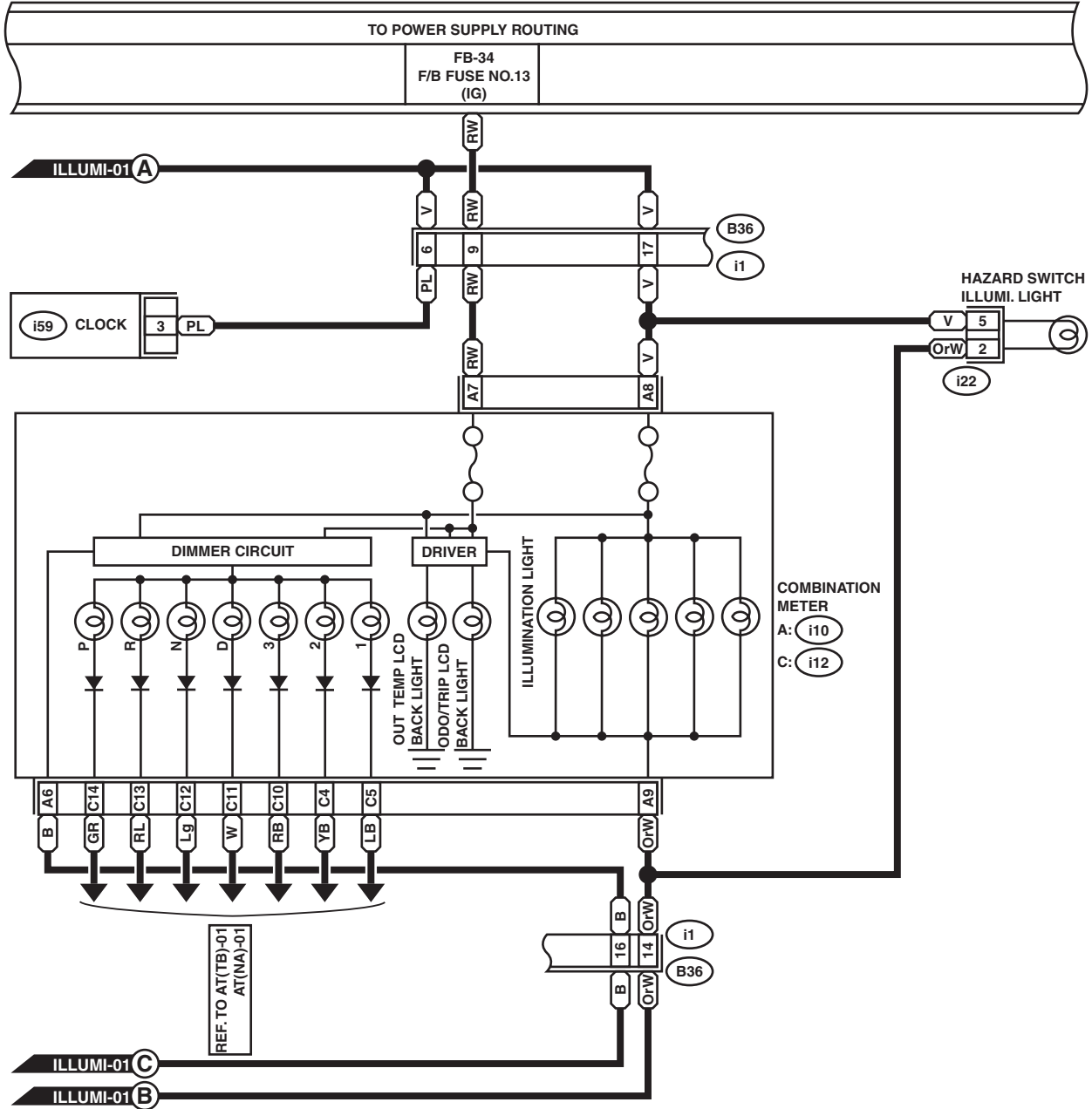
WI-01147

CLEARANCE LIGHT AND ILLUMINATION LIGHT SYSTEM

WIRING SYSTEM

ILLUMI-02

ILLUMI-02



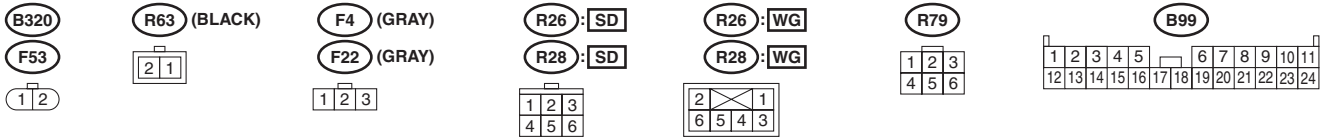
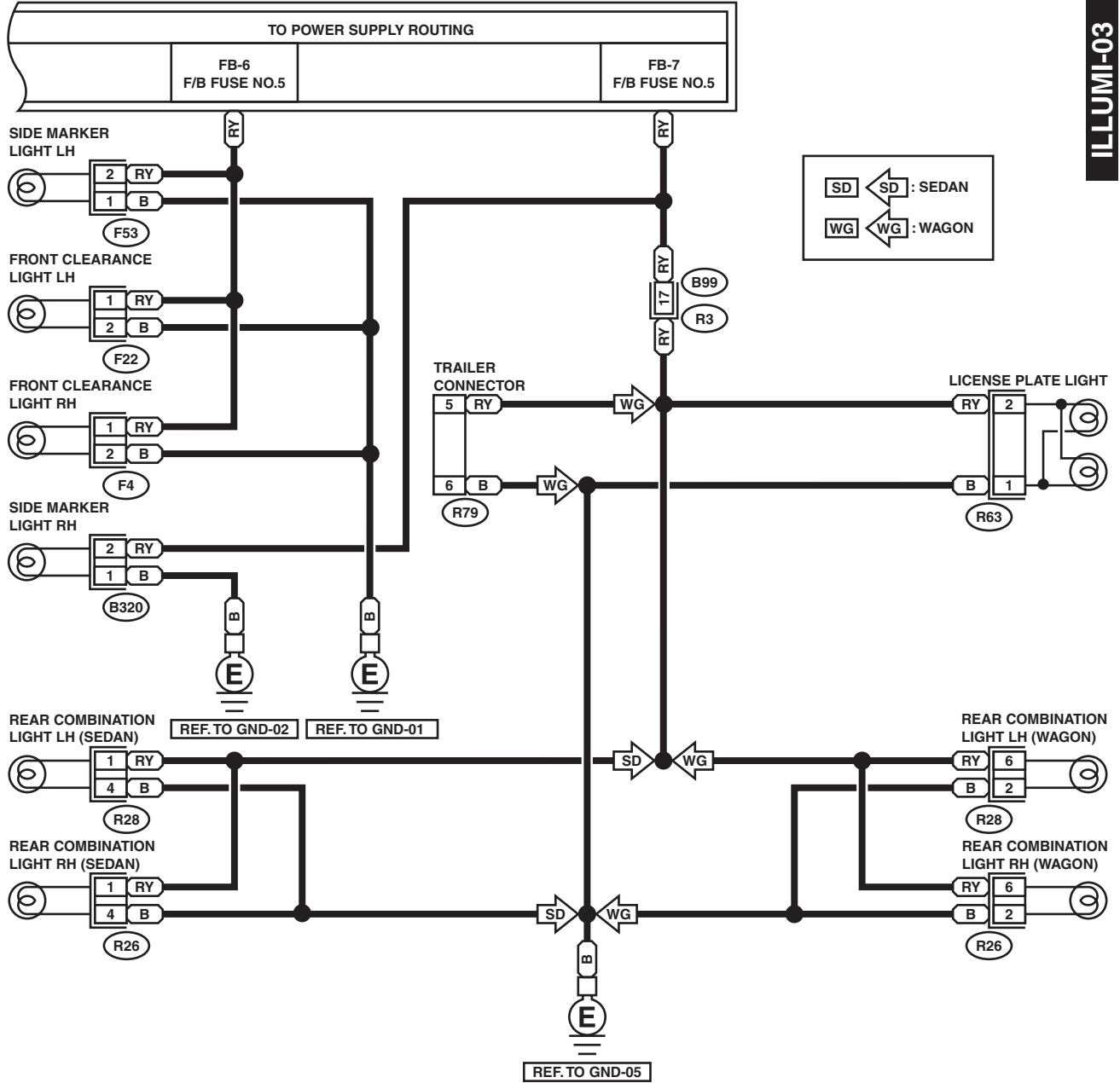
WI-01148

CLEARANCE LIGHT AND ILLUMINATION LIGHT SYSTEM

WIRING SYSTEM

ILLUMI-03

ILLUMI-03



WI-01149