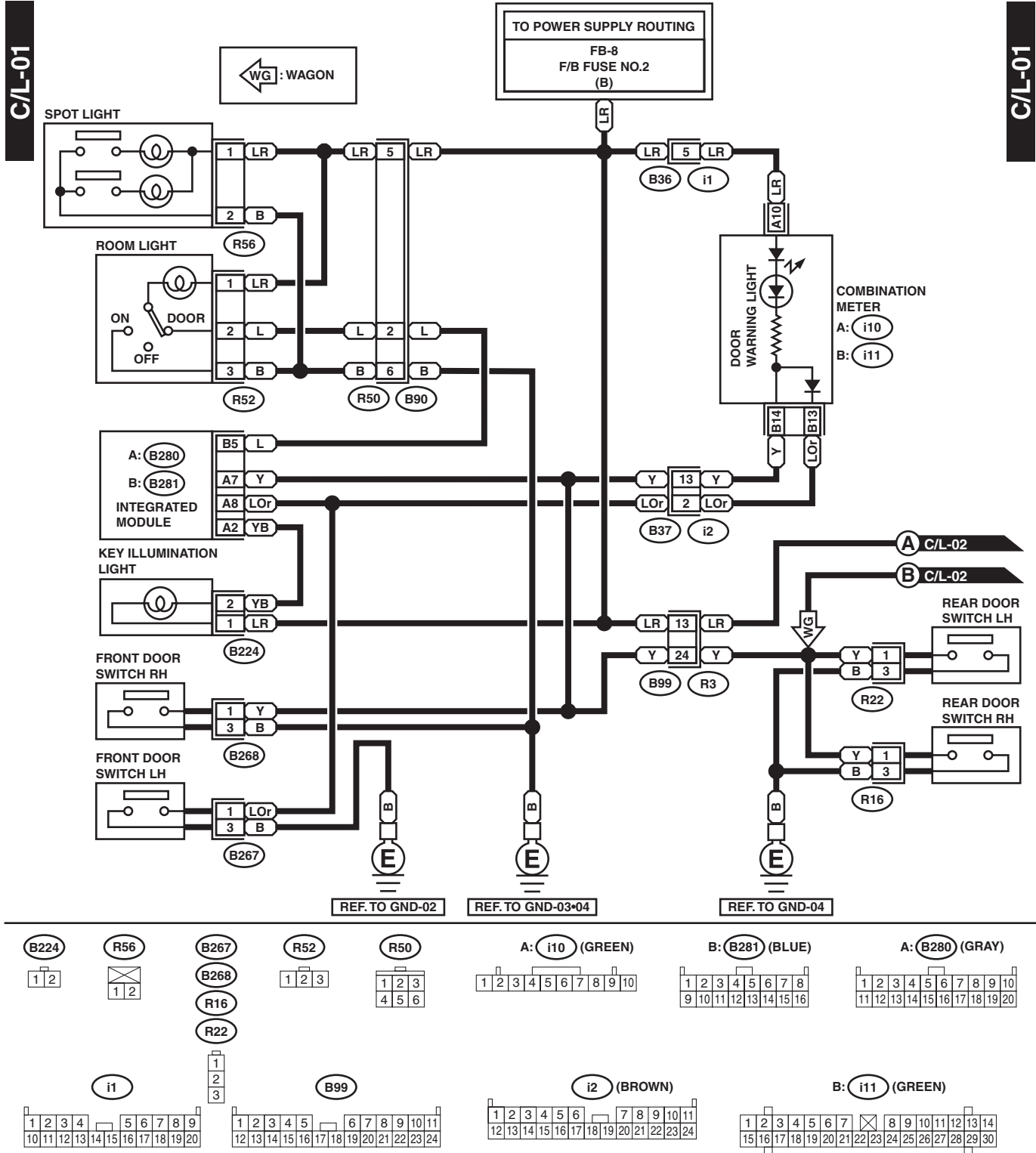


IN COMPARTMENT LIGHT SYSTEM

WIRING SYSTEM

28.In Compartment Light System

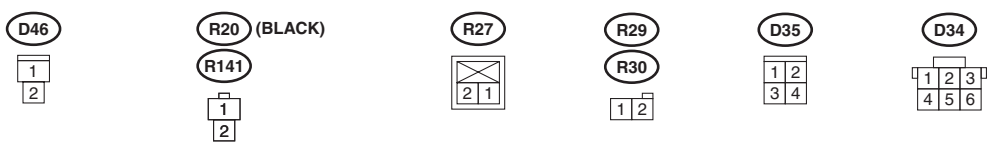
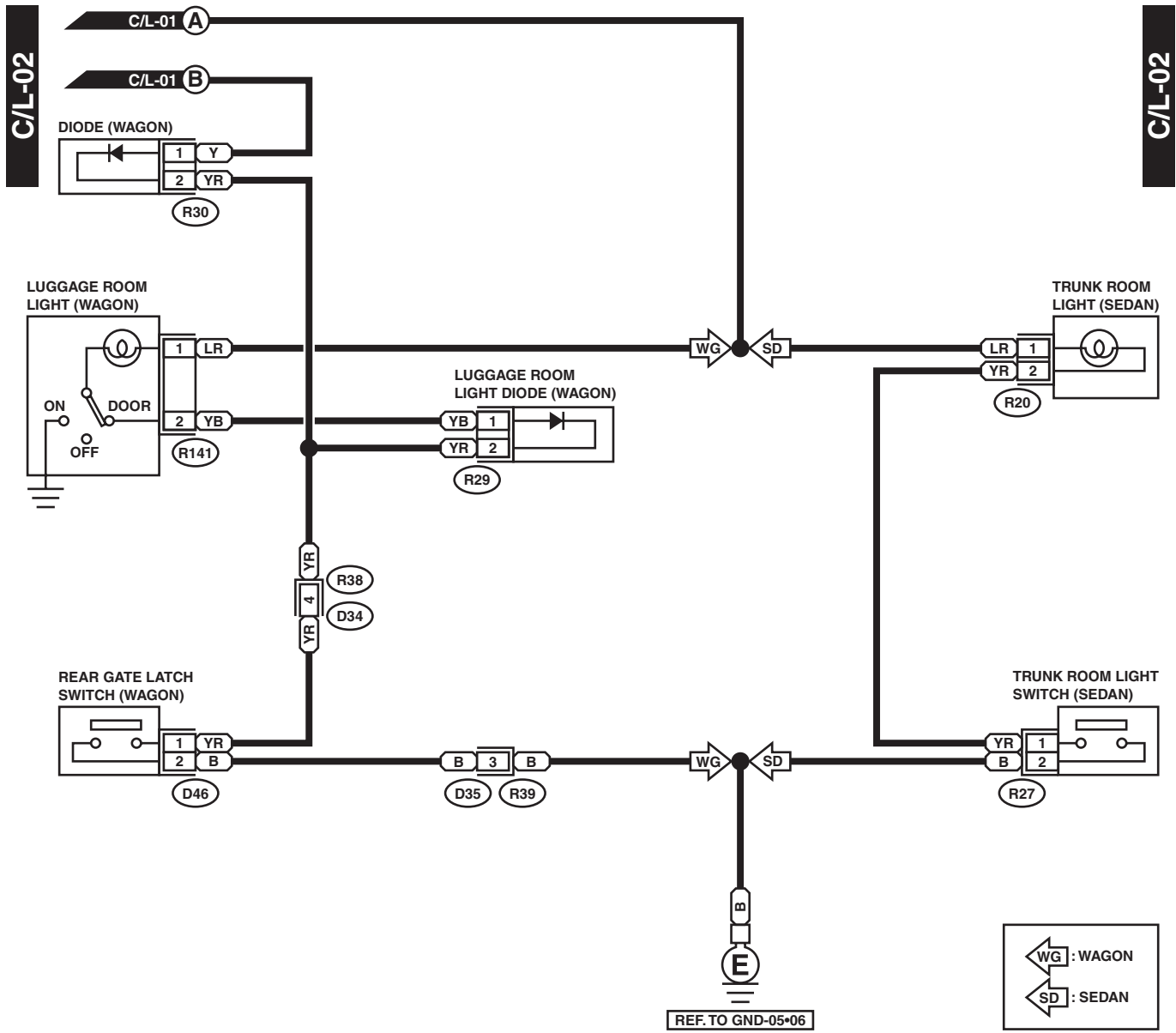
A: SCHEMATIC



WI-01154

IN COMPARTMENT LIGHT SYSTEM

WIRING SYSTEM



WI-01155