

# STOP LIGHT SYSTEM

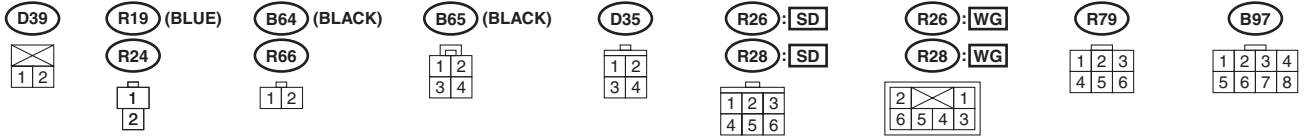
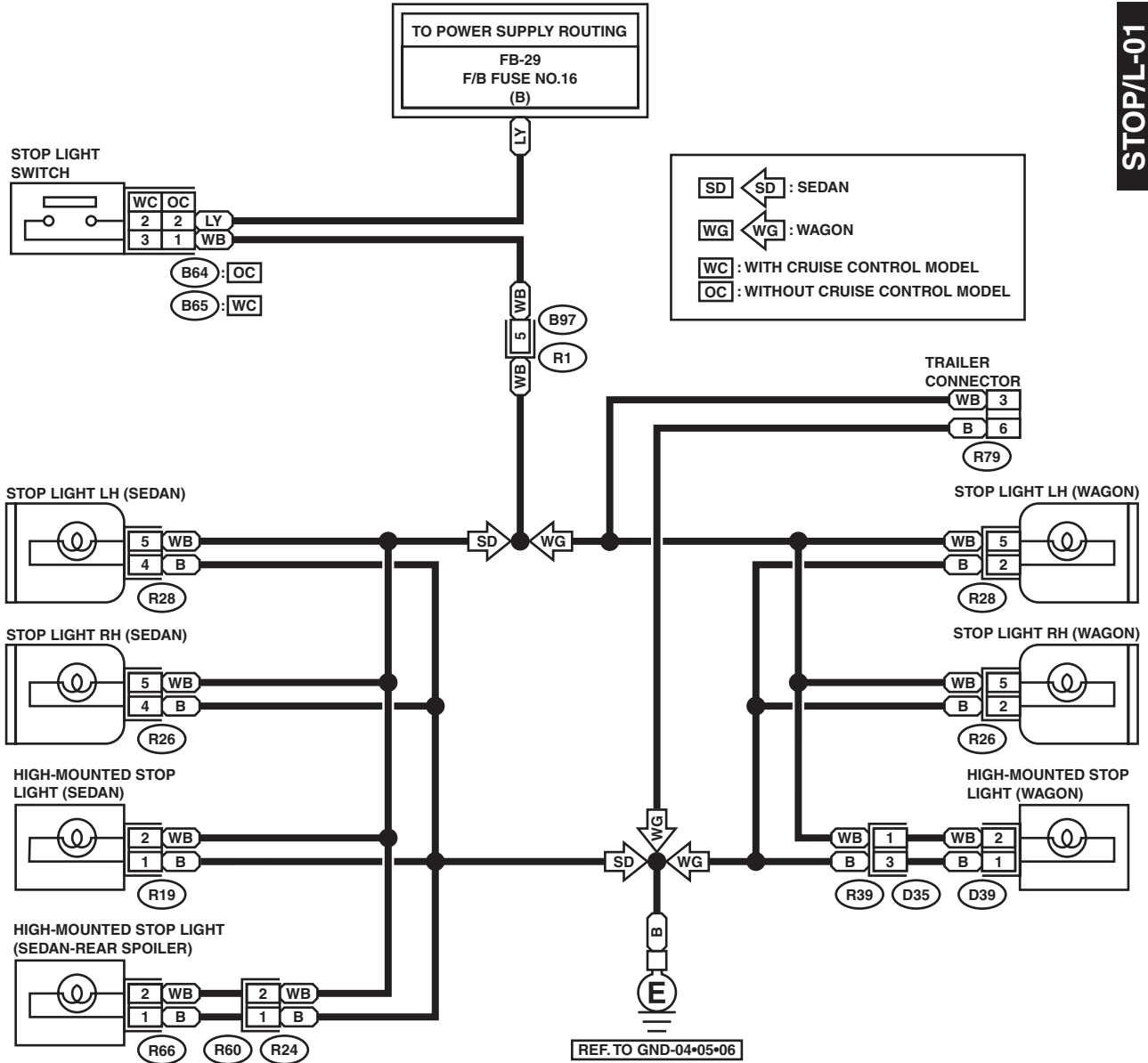
WIRING SYSTEM

## 29. Stop Light System

### A: SCHEMATIC

STOP/L-01

STOP/L-01



WI-01156

