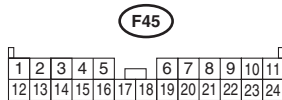
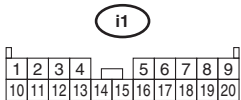
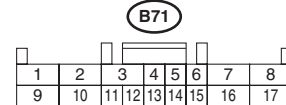
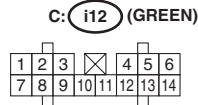
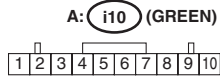
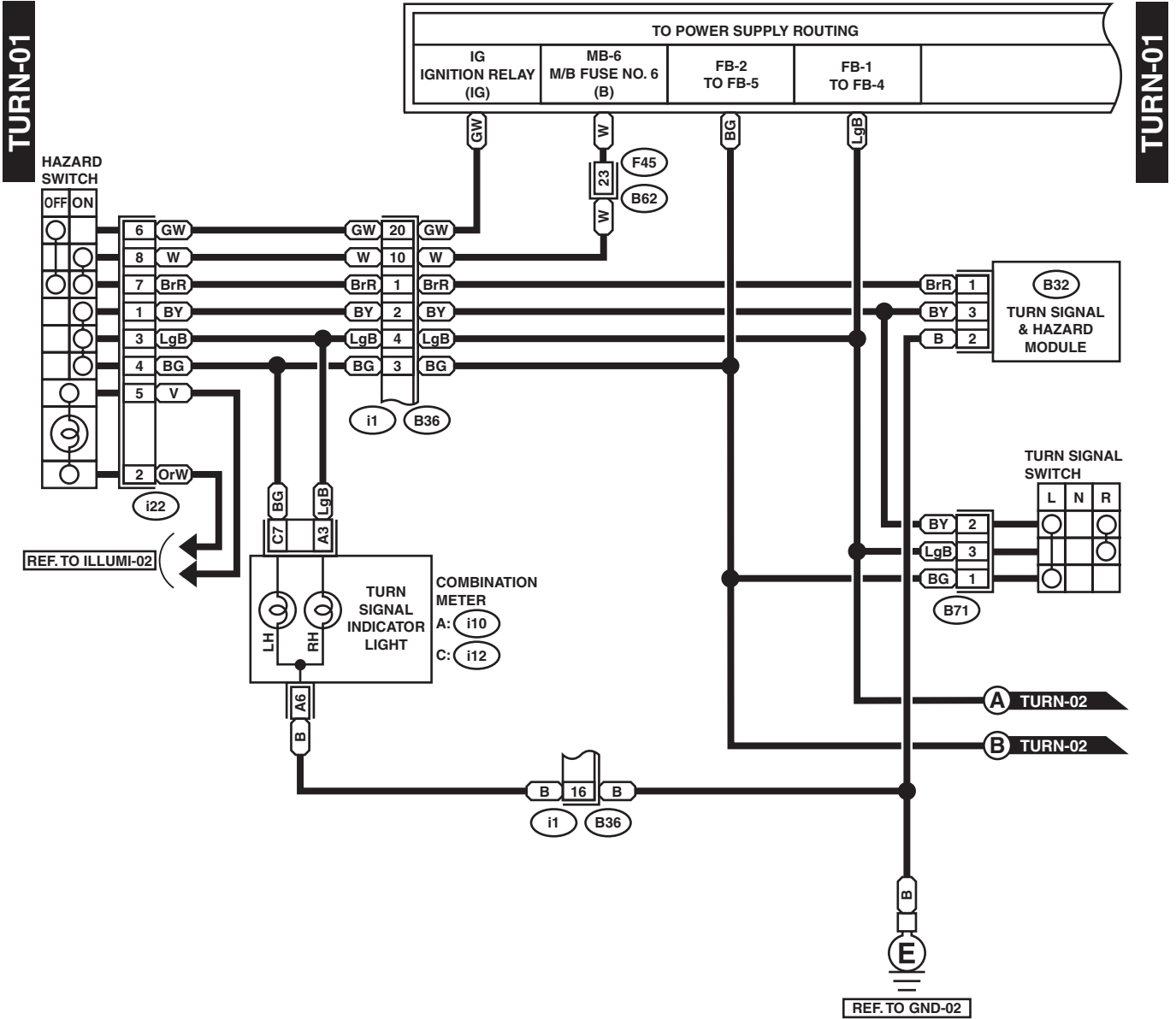


TURN SIGNAL LIGHT AND HAZARD LIGHT SYSTEM

WIRING SYSTEM

30. Turn Signal Light and Hazard Light System

A: SCHEMATIC



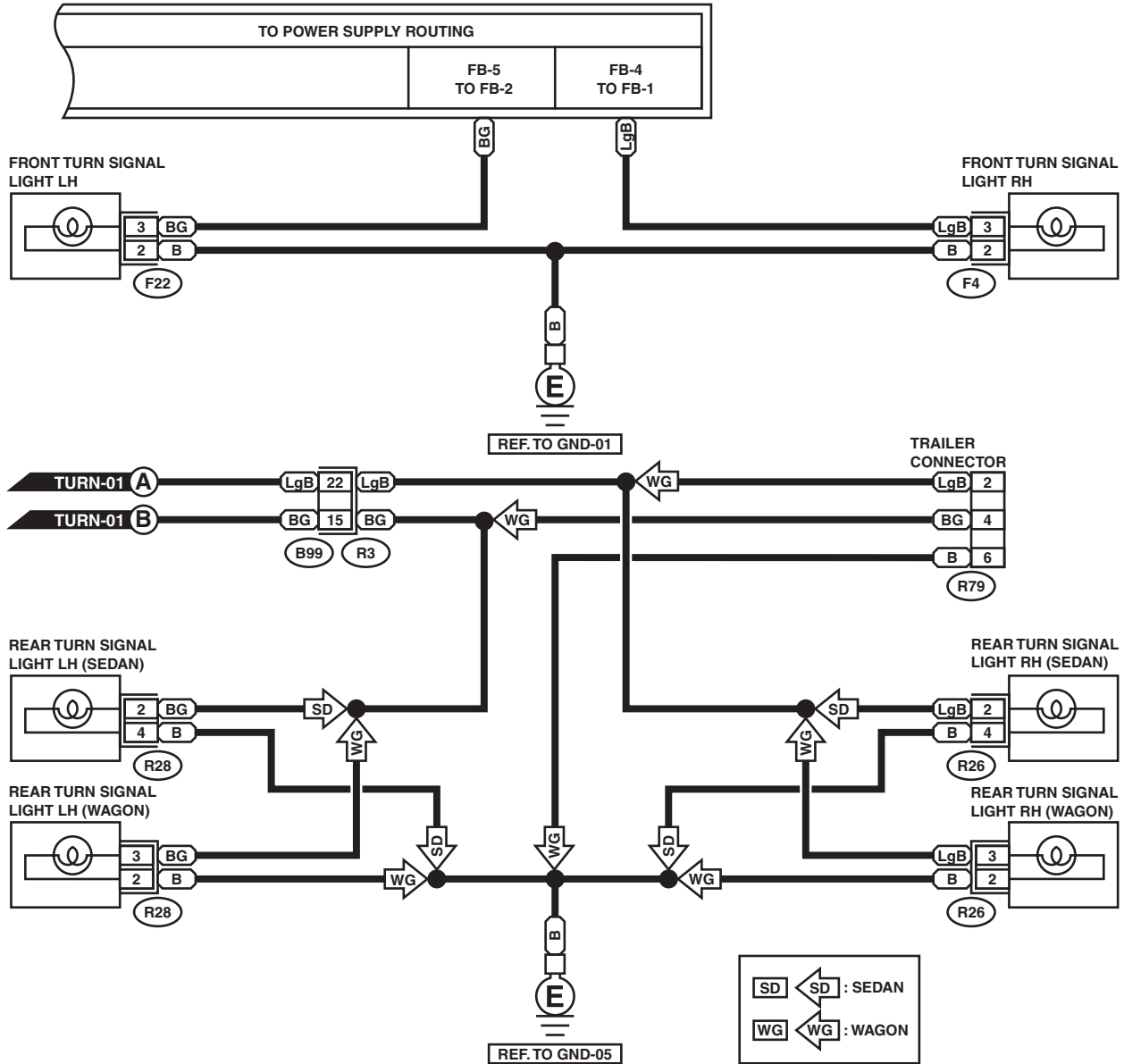
WI-01157

TURN SIGNAL LIGHT AND HAZARD LIGHT SYSTEM

WIRING SYSTEM

TURN-02

TURN-02



F4 (GRAY)

R26 : SD

R26 : WG

R79

B99

F22 (GRAY)

R28 : SD

R28 : WG

1 2 3

| | | | | | | | | | | | | |
|----|----|----|----|----|----|----|----|----|----|----|----|----|
| 1 | 2 | 3 | 4 | 5 | 6 | 7 | 8 | 9 | 10 | 11 | | |
| 12 | 13 | 14 | 15 | 16 | 17 | 18 | 19 | 20 | 21 | 22 | 23 | 24 |

| | | |
|---|---|---|
| 1 | 2 | 3 |
|---|---|---|

| | | |
|---|---|---|
| 1 | 2 | 3 |
| 4 | 5 | 6 |

| | |
|---|---|
| 2 | 1 |
| 6 | 3 |
| 5 | 4 |

| | | |
|---|---|---|
| 1 | 2 | 3 |
| 4 | 5 | 6 |

WI-01158