

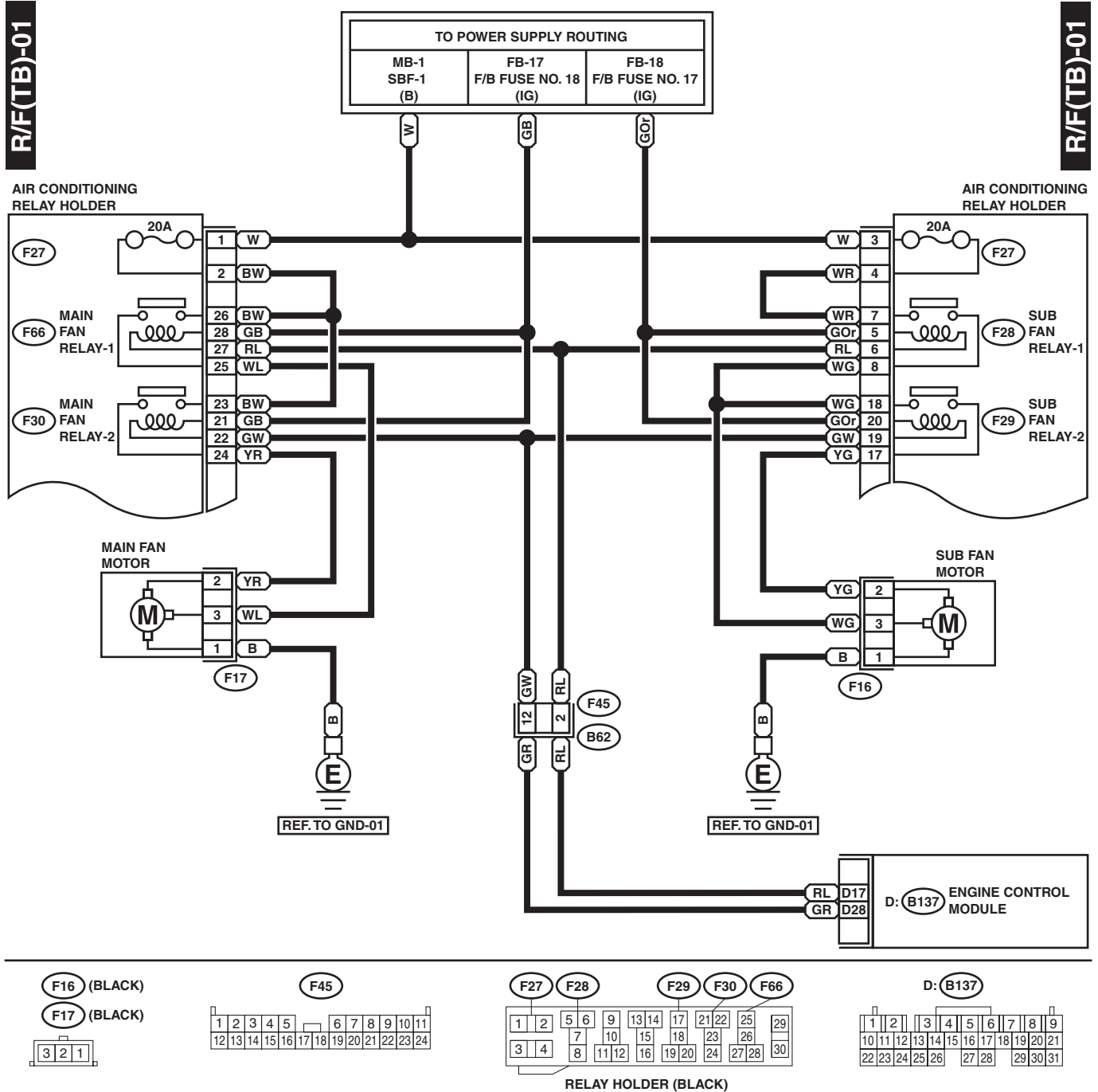
RADIATOR FAN SYSTEM

WIRING SYSTEM

35. Radiator Fan System

A: SCHEMATIC

1. TURBO ENGINE MODEL

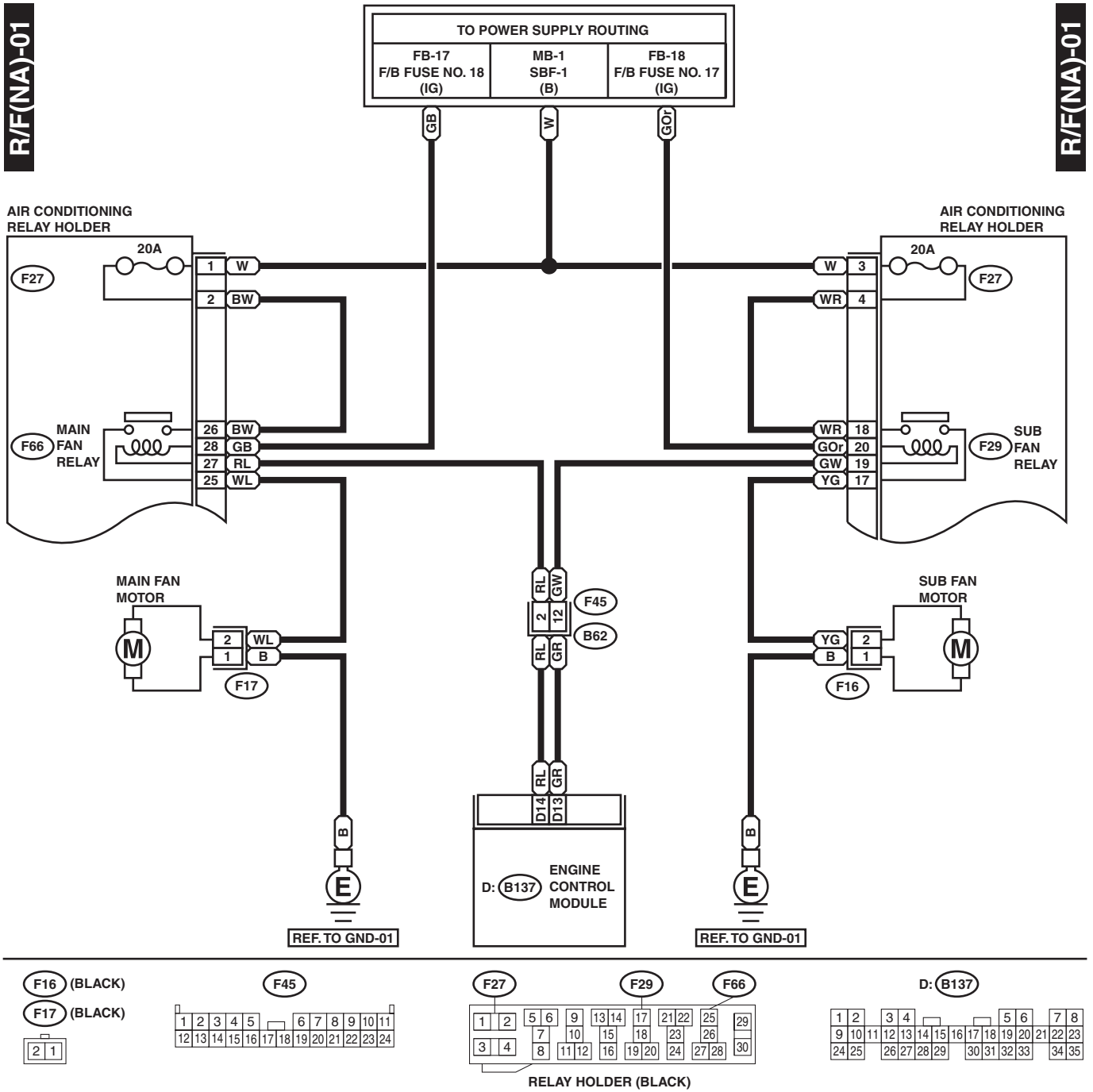


WI-01162

RADIATOR FAN SYSTEM

WIRING SYSTEM

2. NON-TURBO ENGINE MODEL



WI-01163