

REAR ACCESSORY POWER SUPPLY SYSTEM

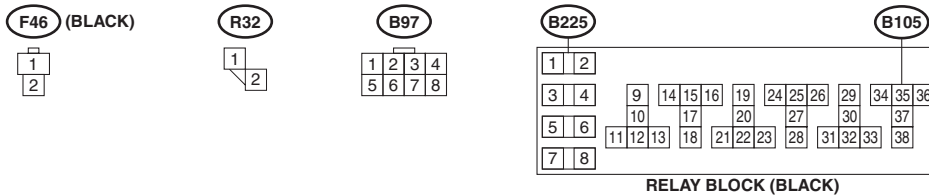
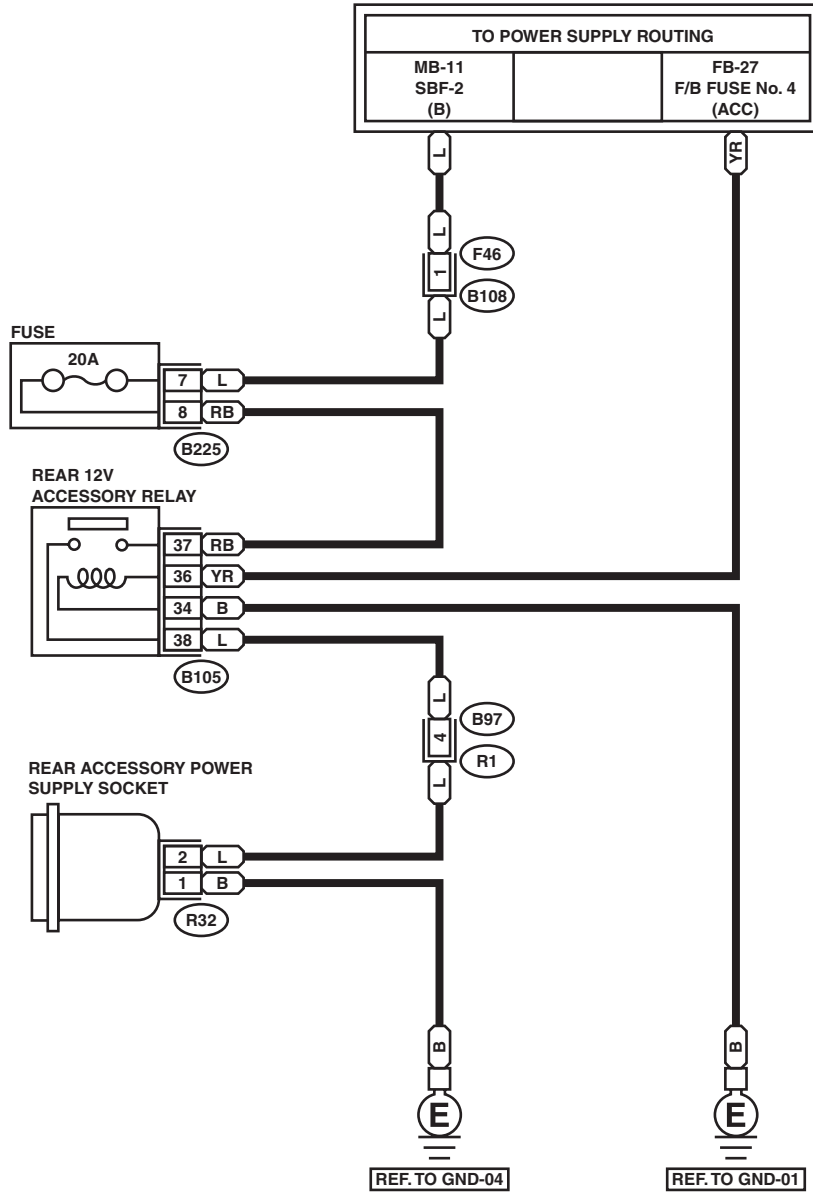
WIRING SYSTEM

36.Rear Accessory Power Supply System

A: SCHEMATIC

RAPS-01

RAPS-01



WI-01164