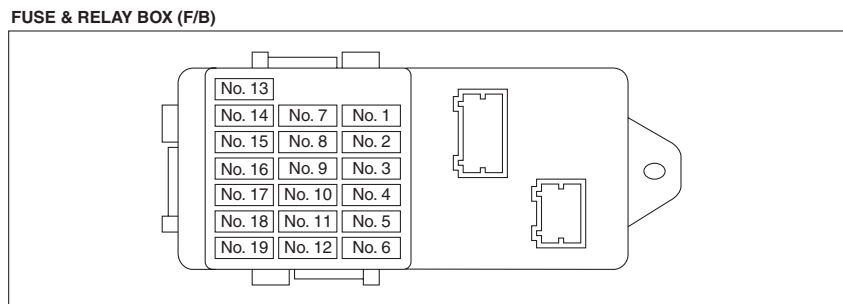
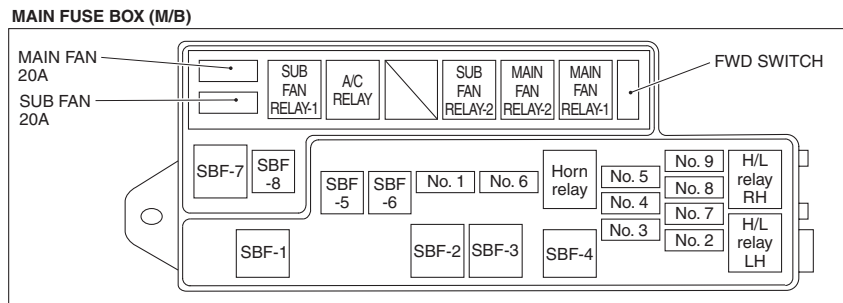


4. Power Supply Routing

A: SCHEMATIC

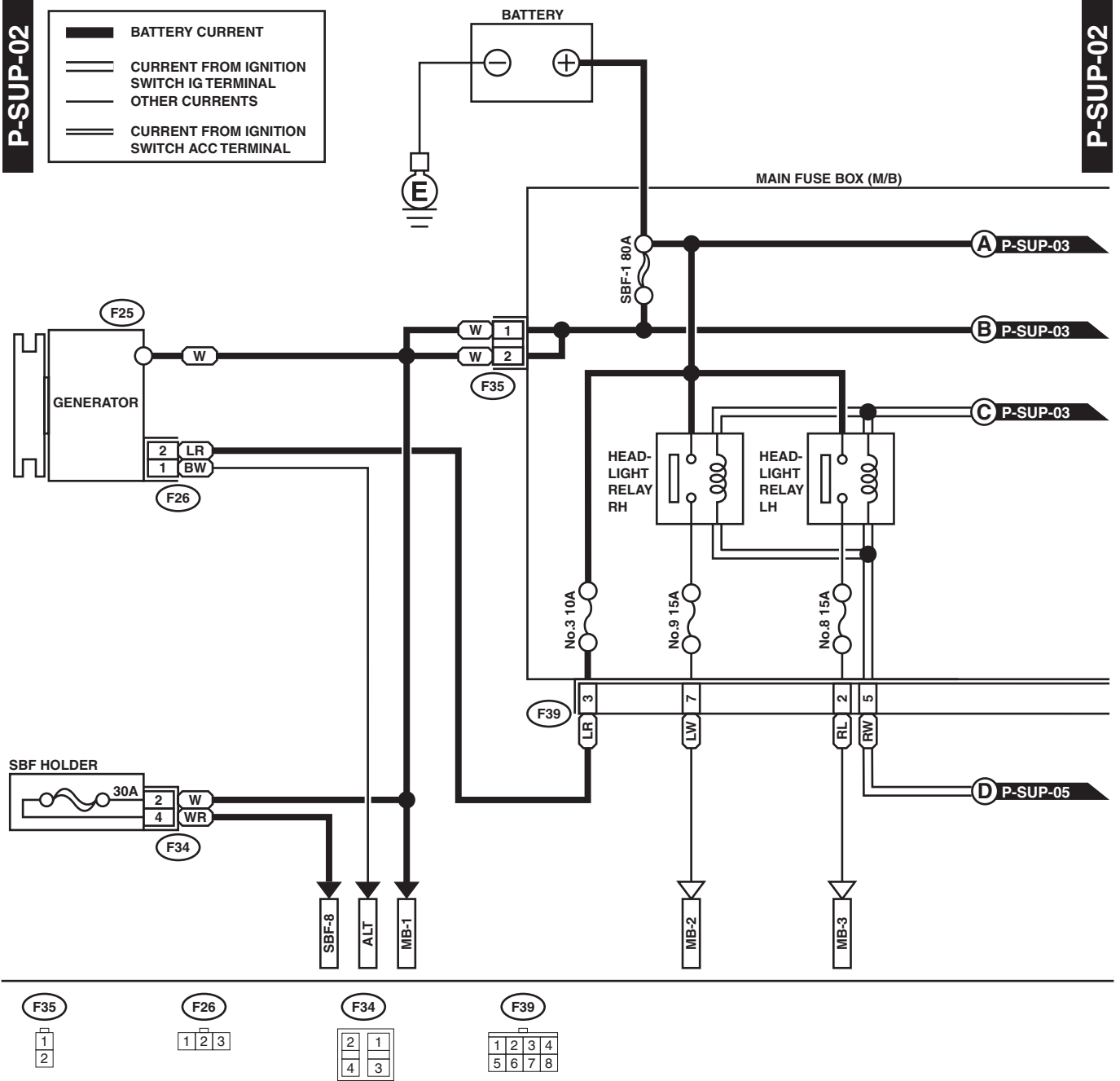
P-SUP-01

P-SUP-01



# POWER SUPPLY ROUTING

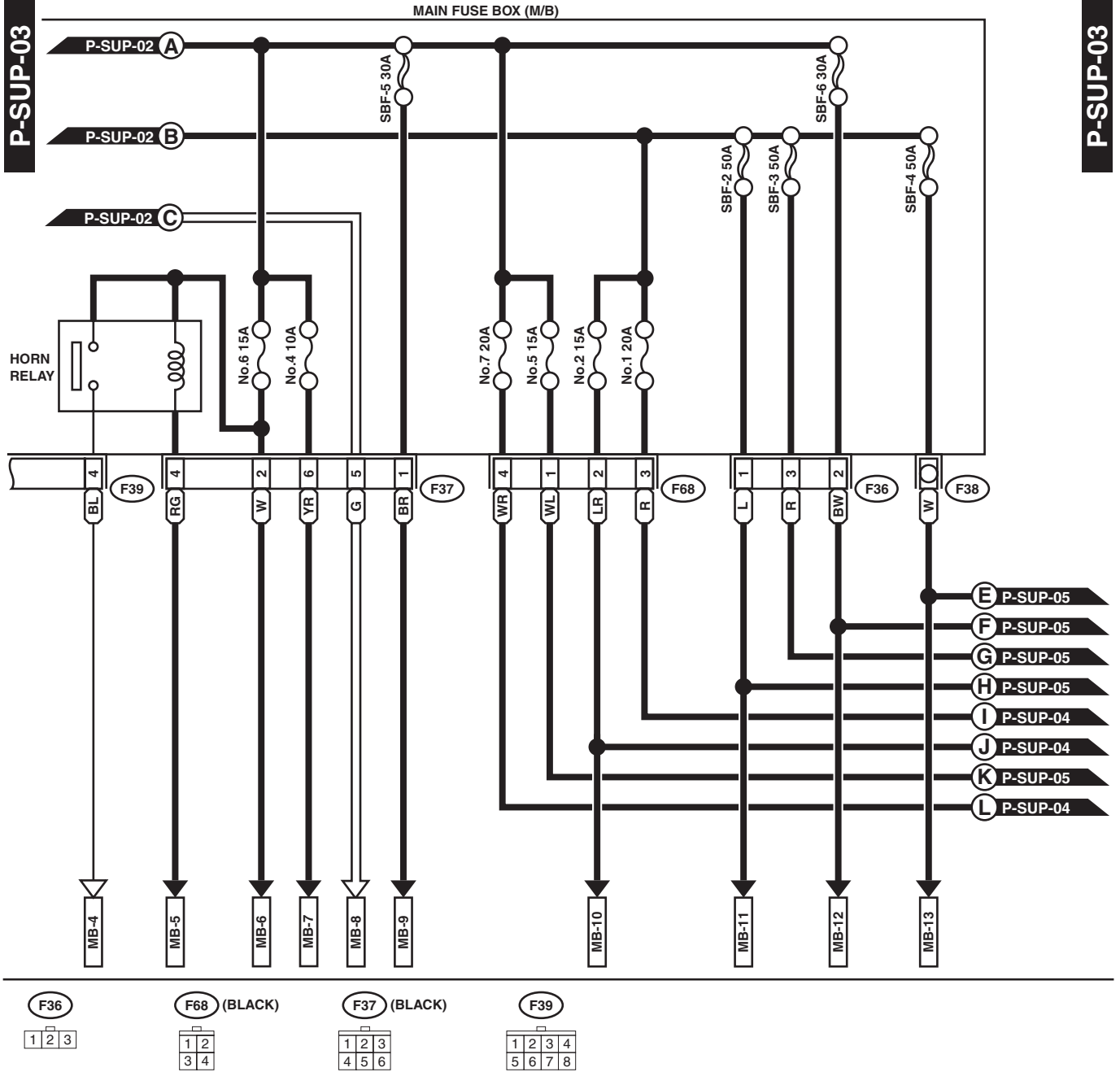
WIRING SYSTEM



WI-01090

# POWER SUPPLY ROUTING

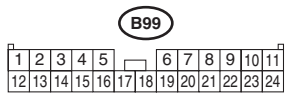
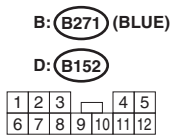
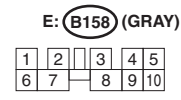
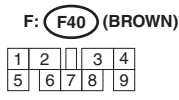
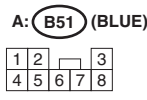
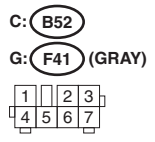
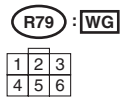
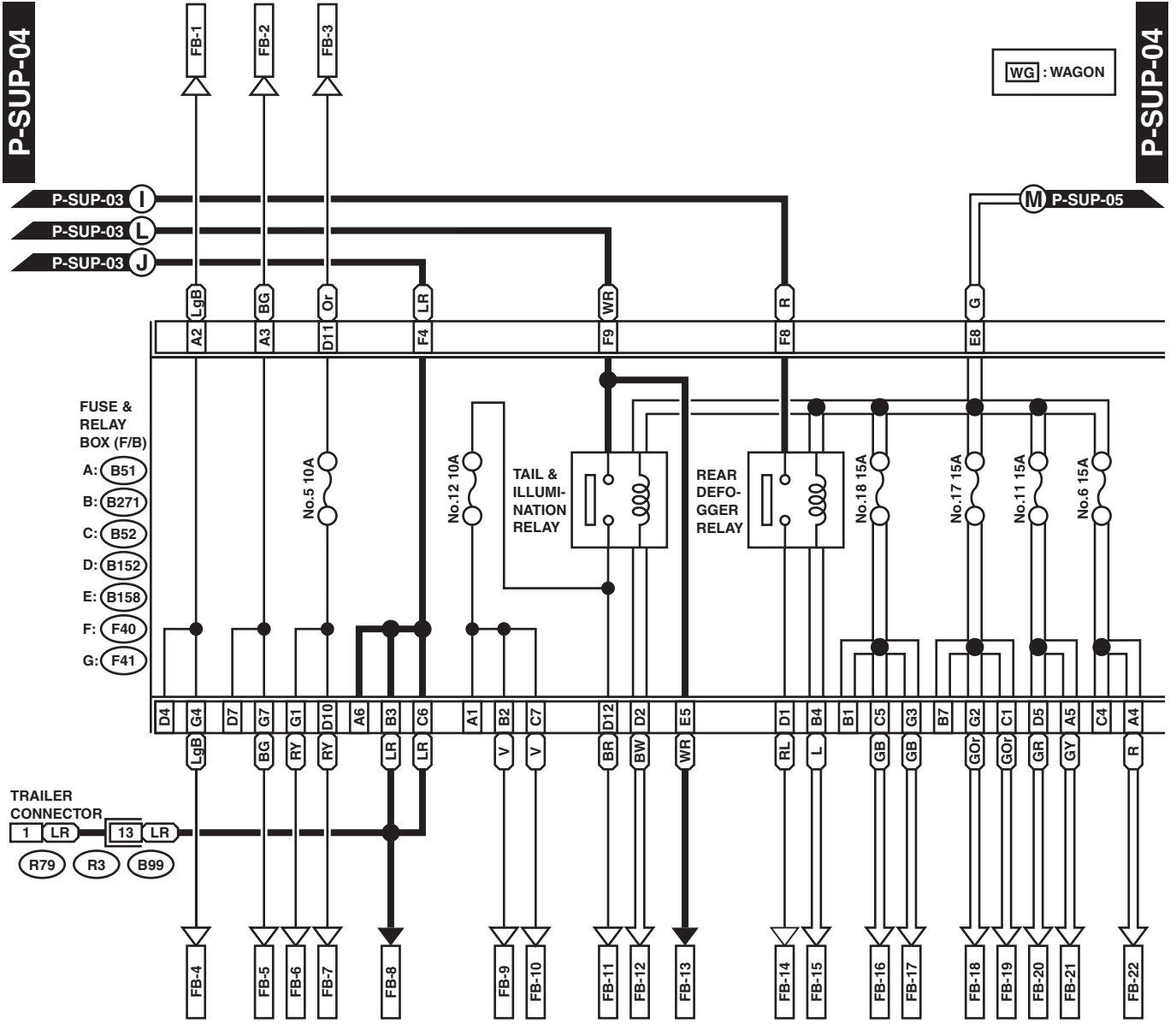
WIRING SYSTEM



WI-02168

# POWER SUPPLY ROUTING

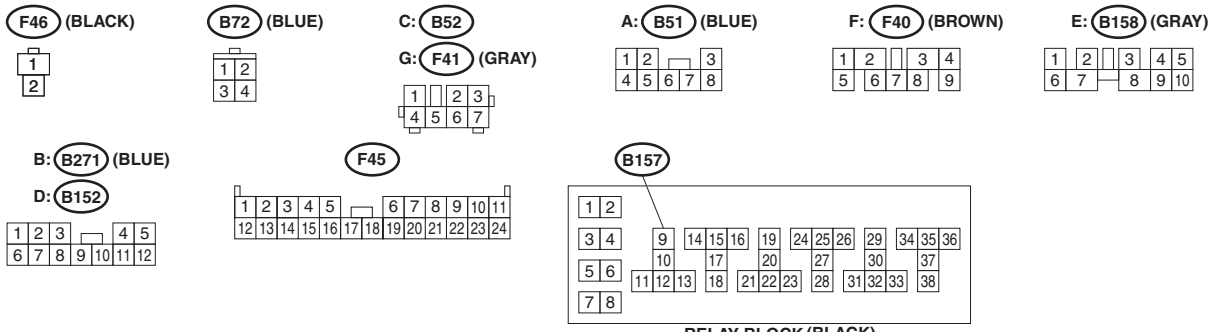
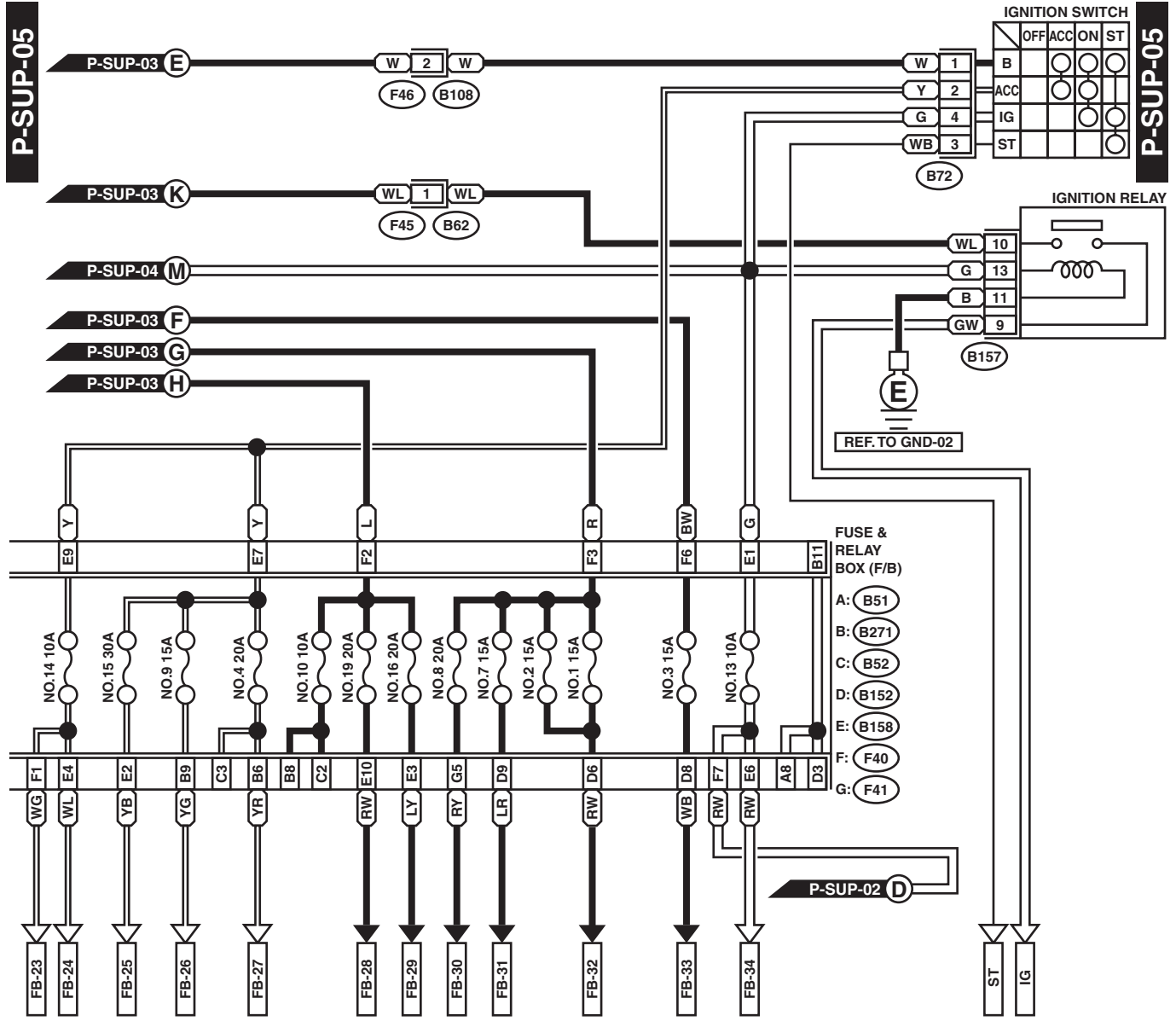
WIRING SYSTEM



WI-01091

# POWER SUPPLY ROUTING

WIRING SYSTEM



WI-01092

# POWER SUPPLY ROUTING

## WIRING SYSTEM

No.	Load
MB-1	Air conditioning relay holder (Fuse)
MB-2	Combination meter Headlight RH
MB-3	Headlight LH
MB-4	Horn
MB-5	Cruise control sub switch Horn switch Keyless entry control module Security horn relay
MB-6	Hazard switch Key warning switch
MB-7	Transmission control module
MB-8	Daytime running light control module Diode (Daytime running light)
MB-9	Data link connector Engine control module Fuel pump relay Main relay
MB-11	Fuse (Rear 12V accessory)
MB-12	Power window circuit breaker
MB-13	Relay holder
SBF-8	ABS control module
IG	Hazard switch Power window relay
ST	Engine control module (AT) Interrupt relay
FB-1	Combination meter Hazard switch Rear turn signal light RH Trailer connector Turn signal switch
FB-2	Combination meter Hazard switch Rear turn signal light LH Trailer connector Turn signal switch
FB-3	Parking switch Security control module
FB-4	Front turn signal light RH
FB-5	Front turn signal light LH
FB-6	Front clearance light LH Front clearance light RH Side maker light LH
FB-7	License plate light Side maker light RH Tail light LH Tail light RH Trailer connector

No.	Load
FB-8	Clock Combination meter Integrated module Key illumination light (Turbo engine model) Keyless entry control module Luggage room light (Wagon) Radio Room light Security control module Security horn relay Spot light Trunk room light (Sedan)
FB-9	Clock
FB-10	Combination meter Illumination light Integrated module
FB-11	Parking switch
FB-12	Engine control module Lighting switch
FB-13	Parking switch Security control module
FB-14	Mirror heater relay Rear defogger Rear defogger switch
FB-15	Integrated module
FB-16	ABS relay Back-up light switch (MT) Check connector Cruise control main switch Cruise control module Daytime running light control module Daytime running light relay High-beam relay (Daytime running light) Inhibitor switch (AT) Keyless entry control module Vehicle speed sensor (MT)
FB-17	Main fan relay (Non-turbo engine model) Main fan relay-1 (Turbo engine model) Main fan relay-2 (Turbo engine model)
FB-18	Air conditioning relay Sub fan relay (Non-turbo engine model) Sub fan relay-1 (Turbo engine model) Sub fan relay-2 (Turbo engine model) Thermal protector
FB-19	Air conditioning switch Blower fan motor relay
FB-20	Engine control module Fuel pump relay Ignition coil No. 1 (Turbo engine model) Ignition coil No. 2 (Turbo engine model) Ignition coil No. 3 (Turbo engine model) Ignition coil No. 4 (Turbo engine model) Integrated module Transmission control module
FB-21	Airbag control module
FB-22	Airbag control module
FB-23	Rear washer motor

# POWER SUPPLY ROUTING

WIRING SYSTEM

No.	Load
FB-24	Rear wiper intermittent module (Wagon) Rear wiper motor (Wagon)
FB-25	Combination switch Front washer motor Front wiper motor
FB-26	Clock Radio
FB-27	Compass mirror Front accessory power supply socket Integrated module Rear 12V accessory relay Remote controlled rearview mirror switch
FB-28	Mirror heater relay
FB-29	Stop light switch
FB-30	ABS control module
FB-31	Front fog light relay
FB-32	Blower fan motor relay
FB-33	Integrated module
FB-34	Combination meter