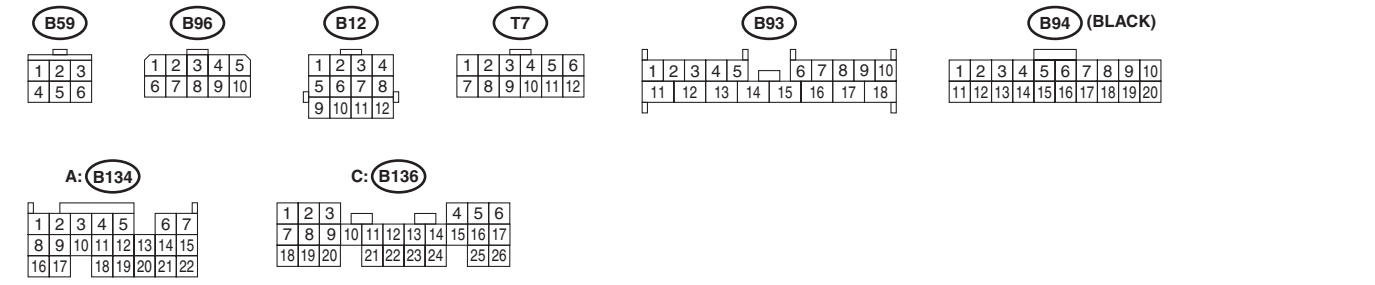
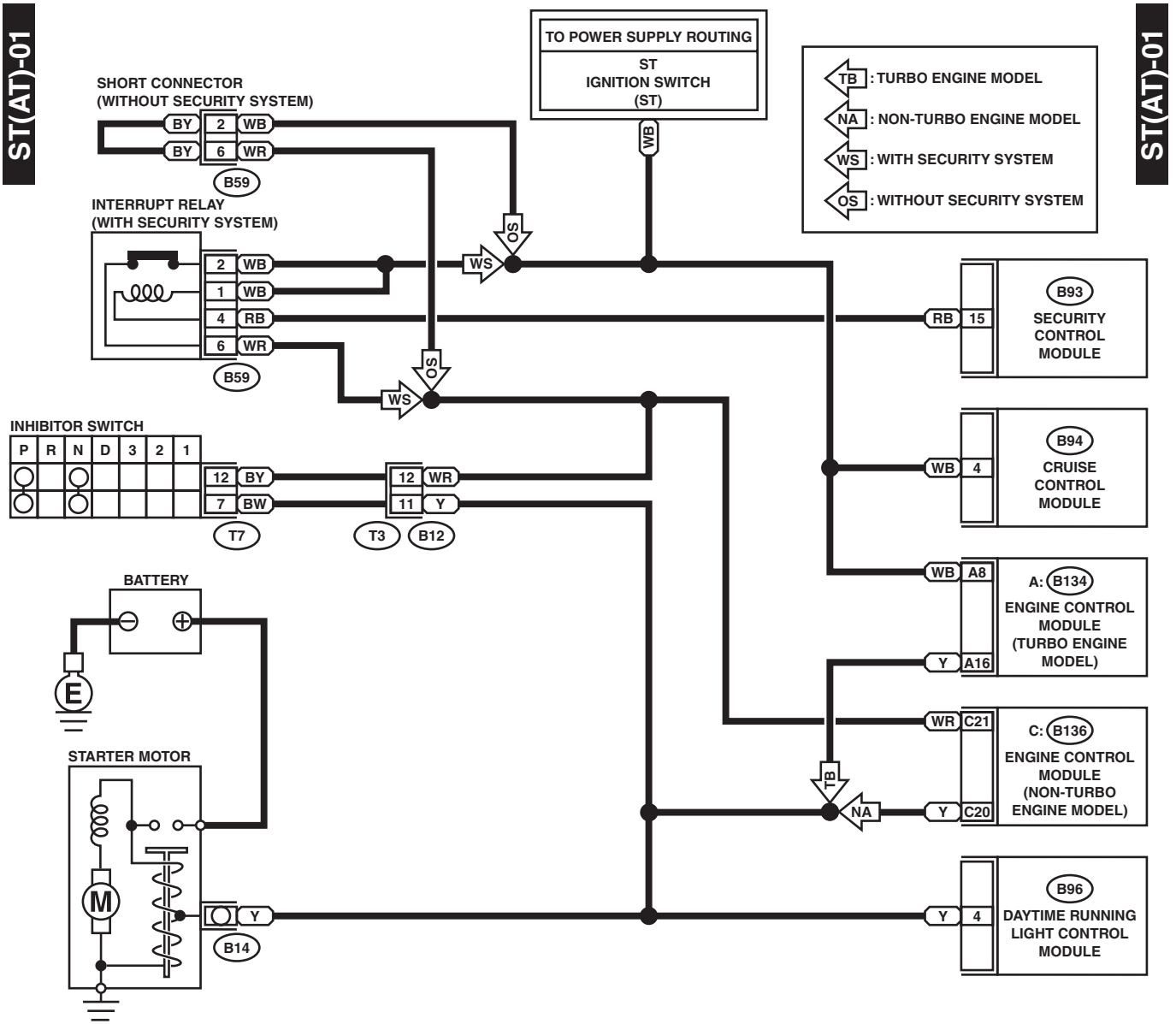


STARTER SYSTEM

WIRING SYSTEM

2. NON-TURBO ENGINE MODEL



WI-01172