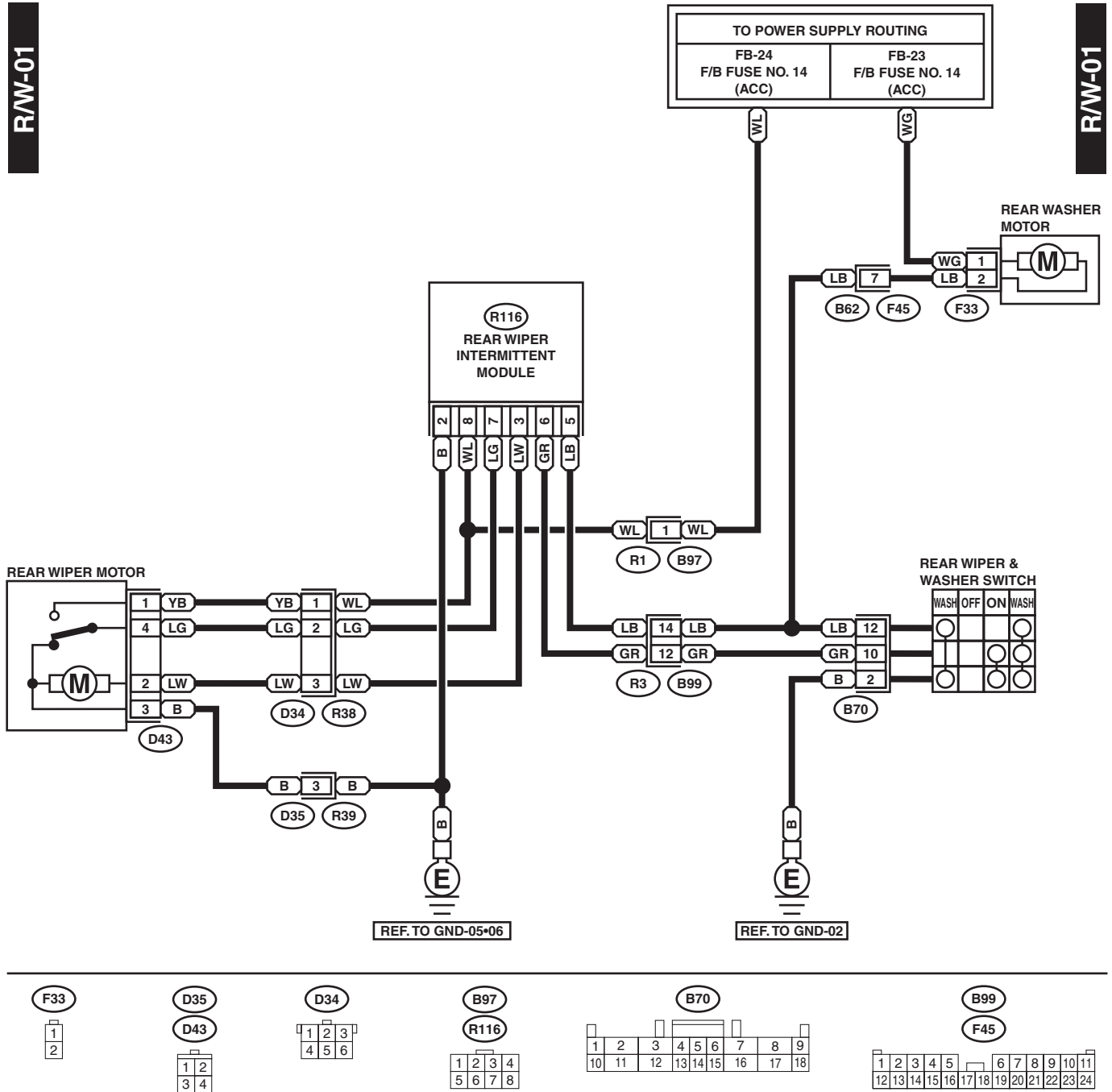


44. Wiper and Washer System (Rear)

A: SCHEMATIC

R/W-01

R/W-01



WIPER AND WASHER SYSTEM (REAR)

WIRING SYSTEM
