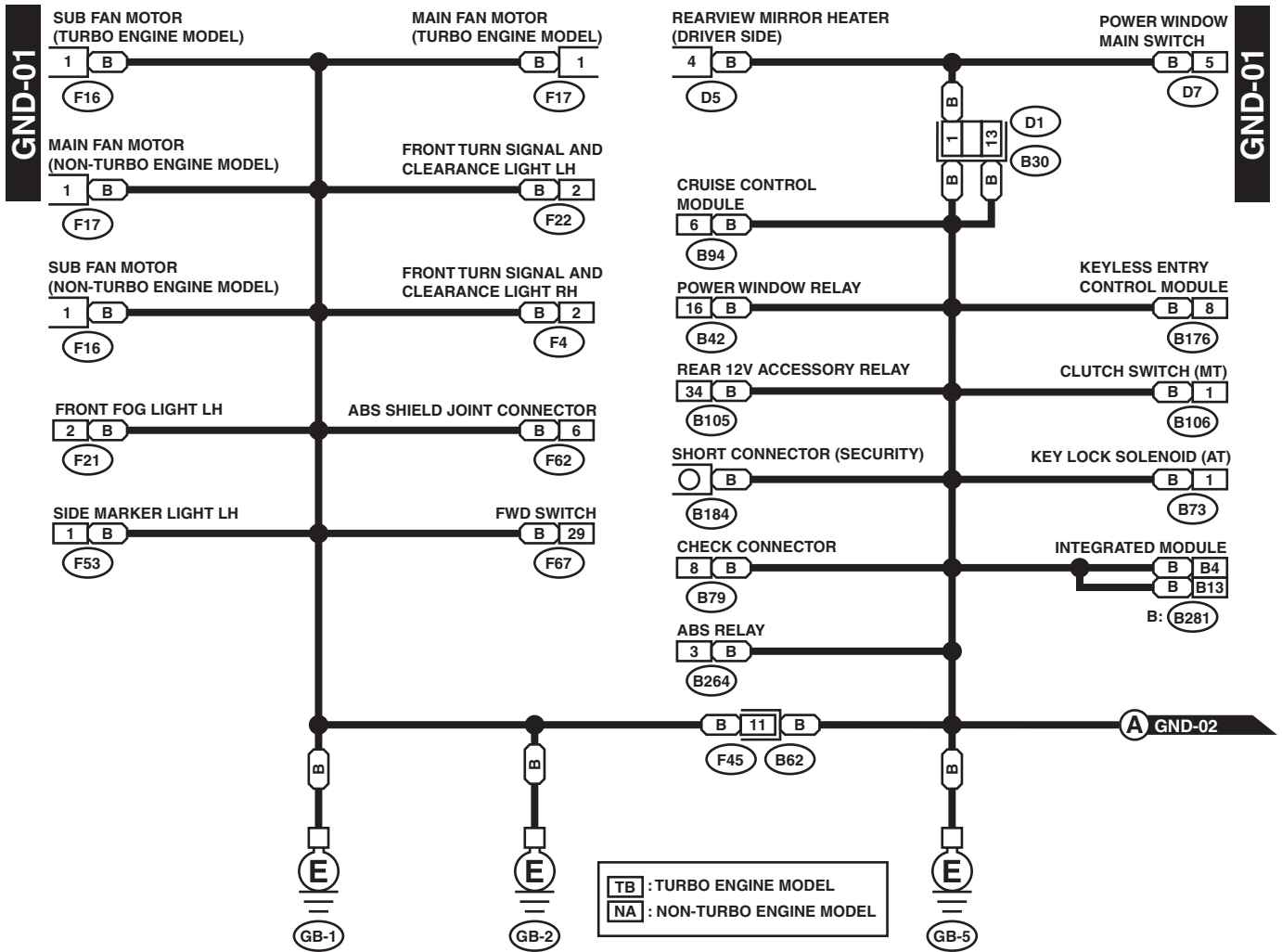


GROUND DISTRIBUTION

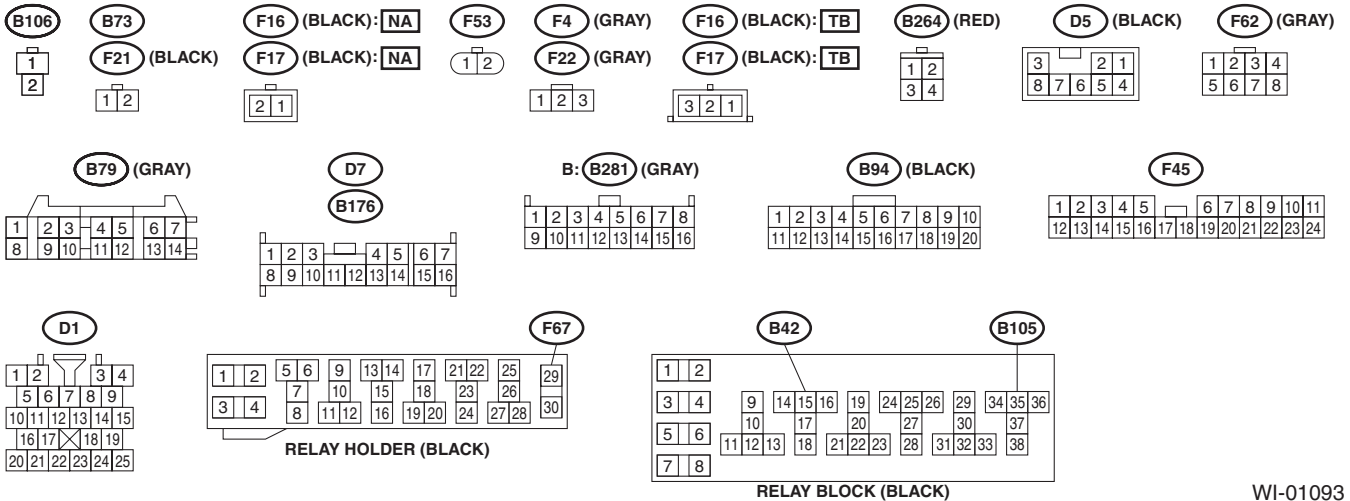
WIRING SYSTEM

5. Ground Distribution

A: SCHEMATIC



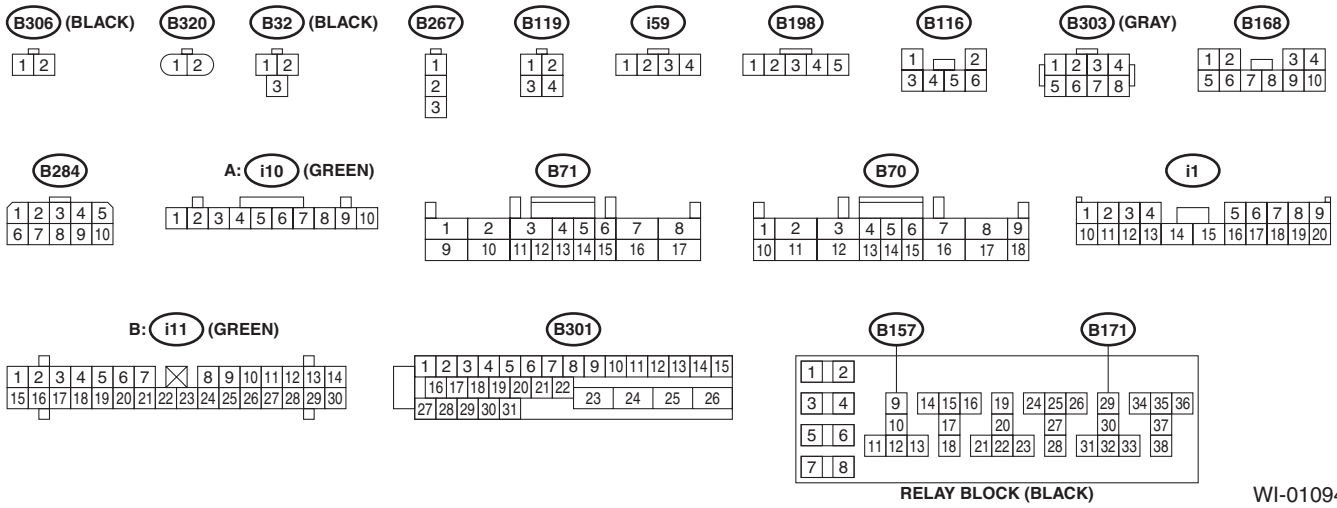
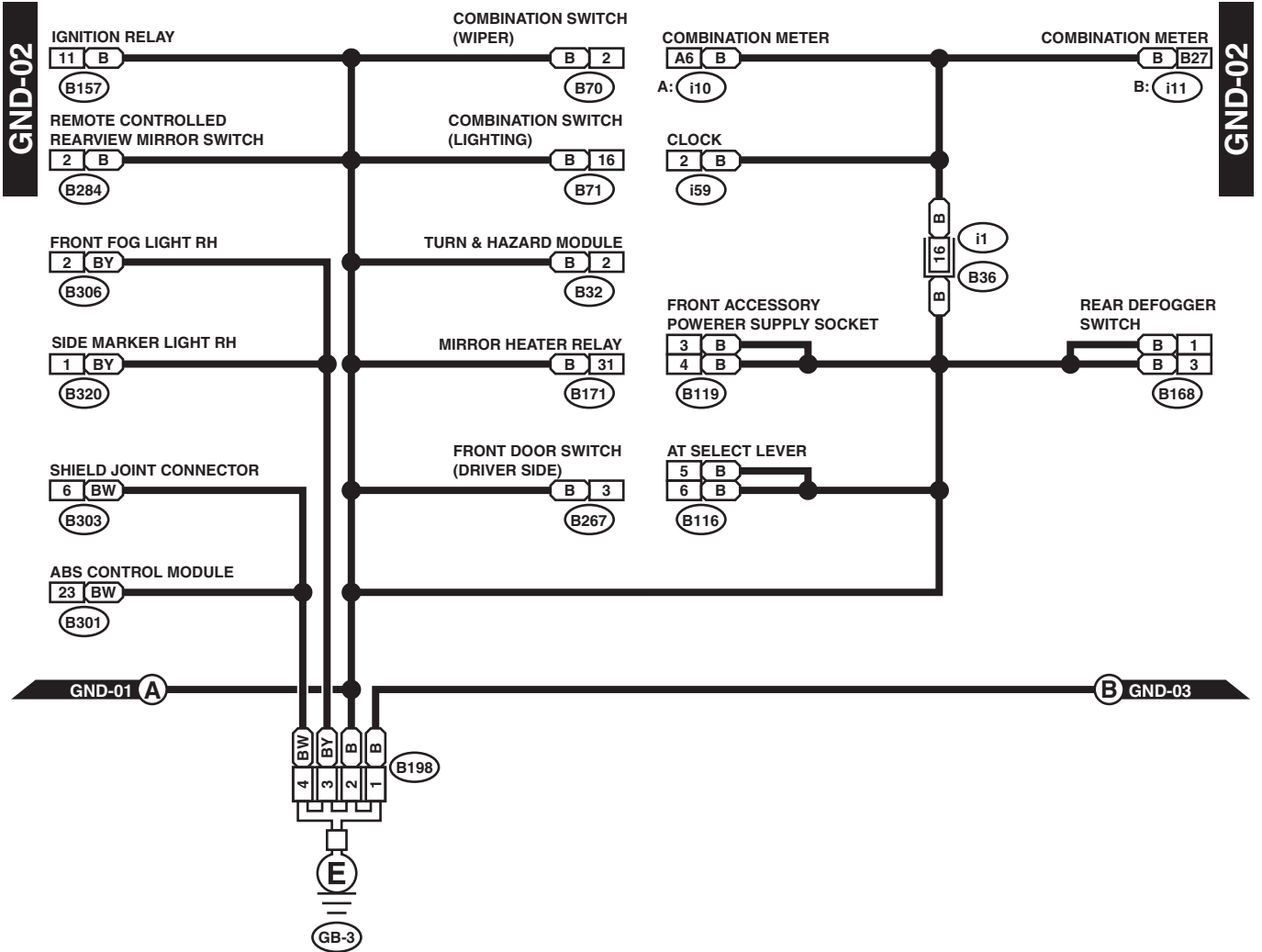
TB : TURBO ENGINE MODEL
 NA : NON-TURBO ENGINE MODEL



WI-01093

GROUND DISTRIBUTION

WIRING SYSTEM



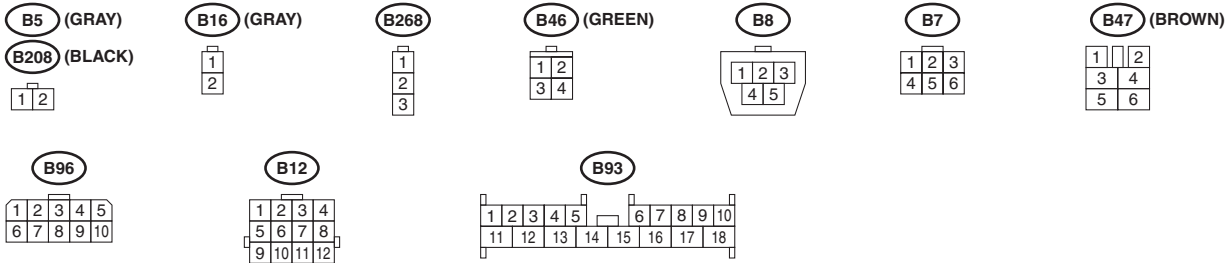
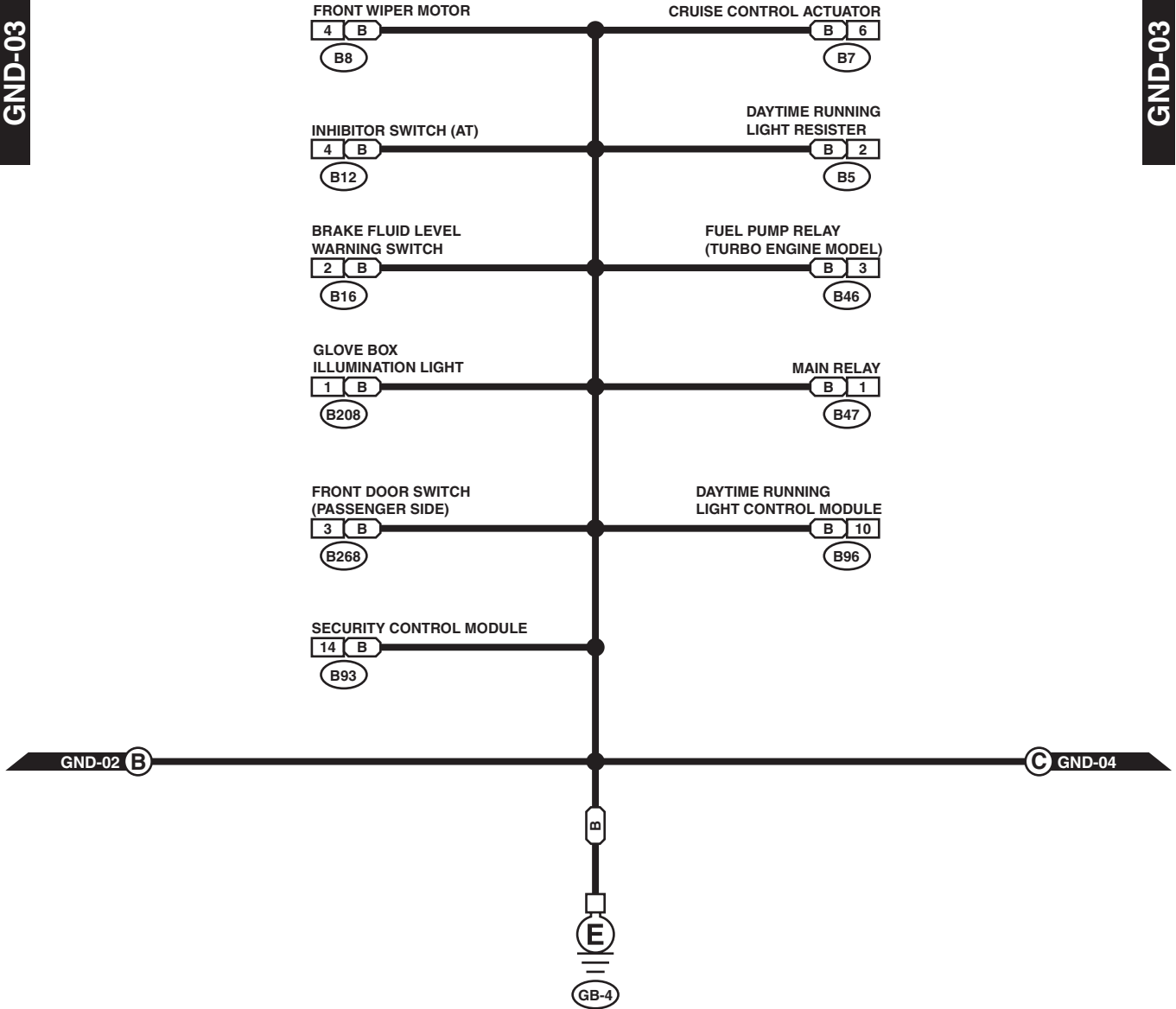
WI-01094

GROUND DISTRIBUTION

WIRING SYSTEM

GND-03

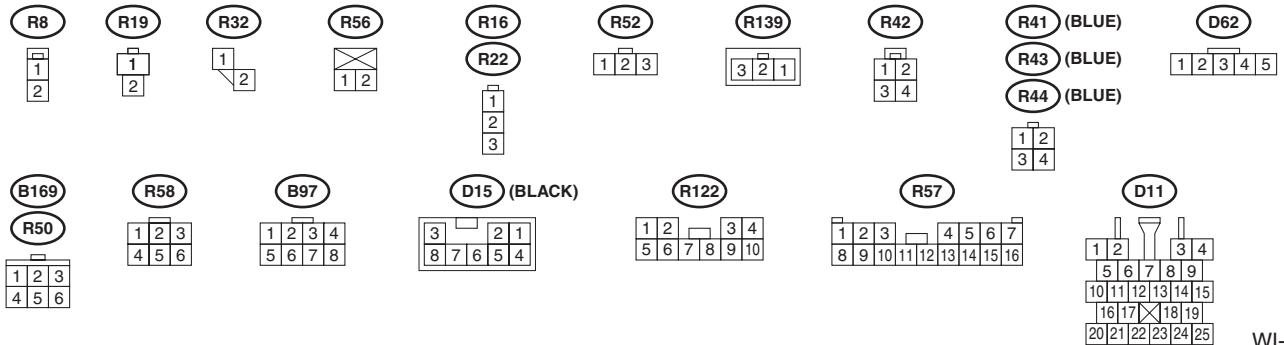
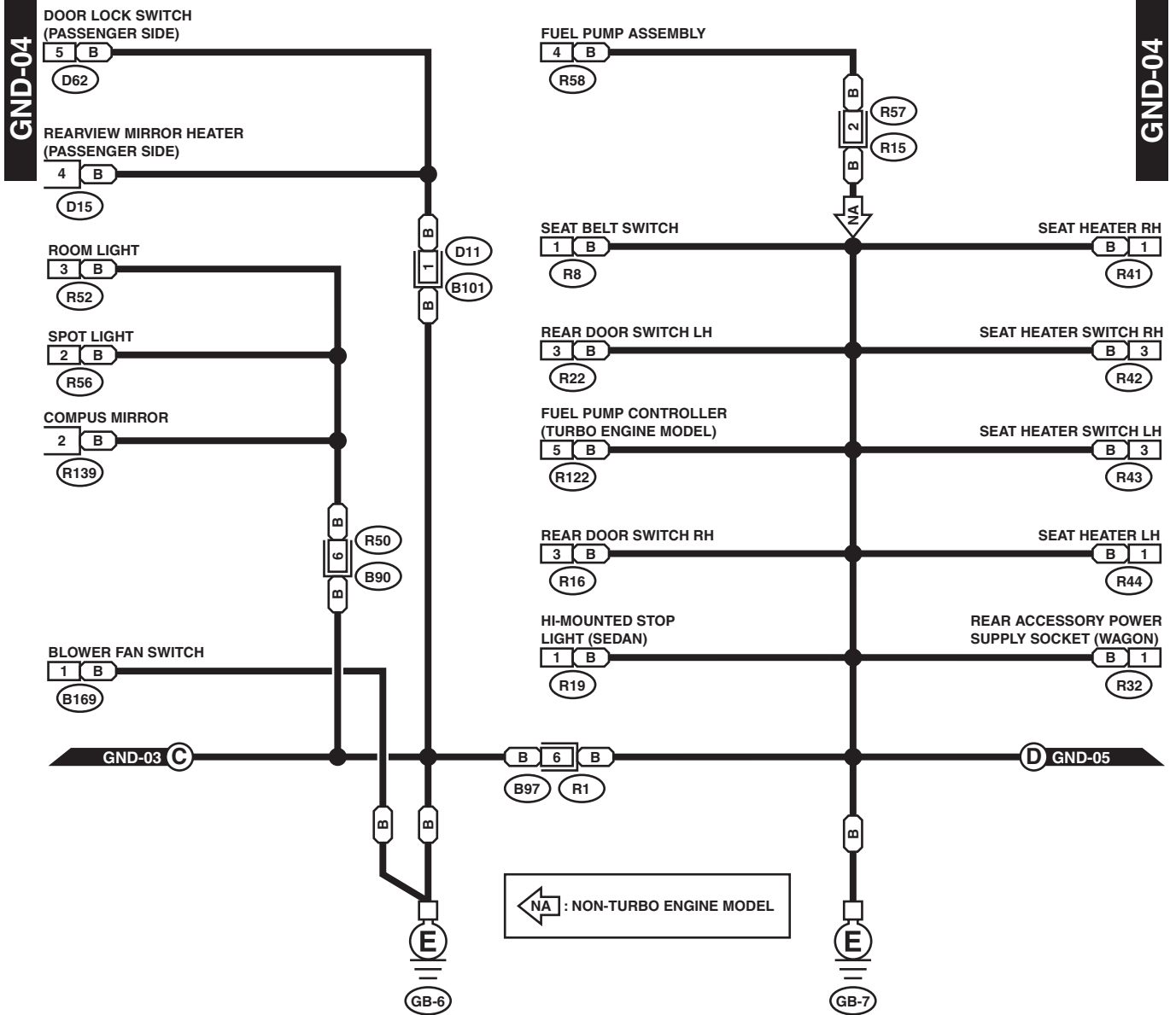
GND-03



WI-01095

GROUND DISTRIBUTION

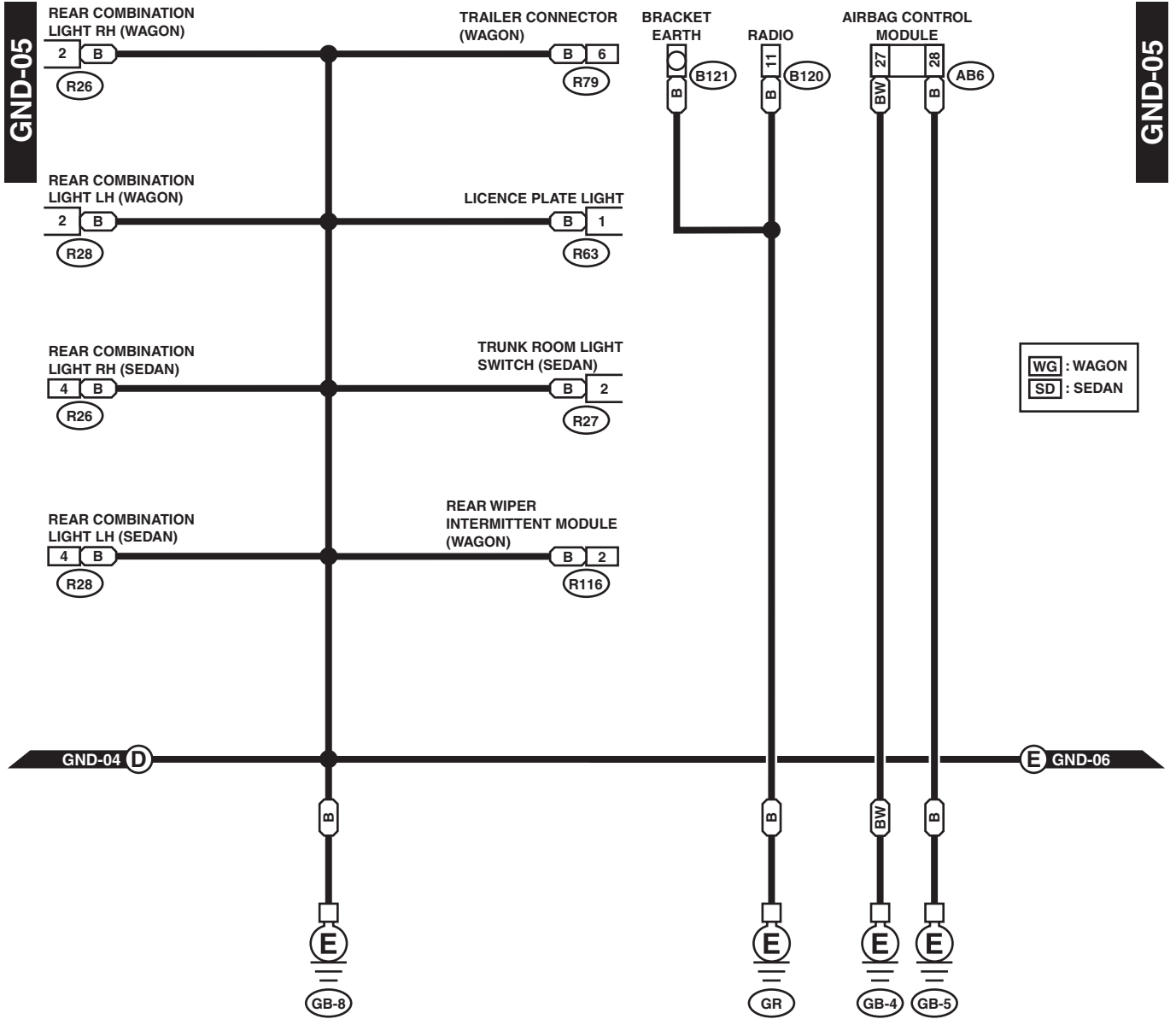
WIRING SYSTEM



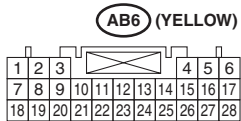
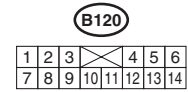
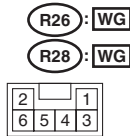
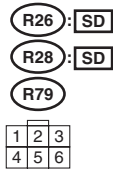
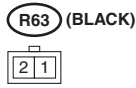
WI-01096

GROUND DISTRIBUTION

WIRING SYSTEM



WG : WAGON
SD : SEDAN

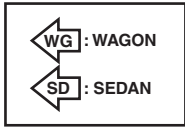


WI-01097

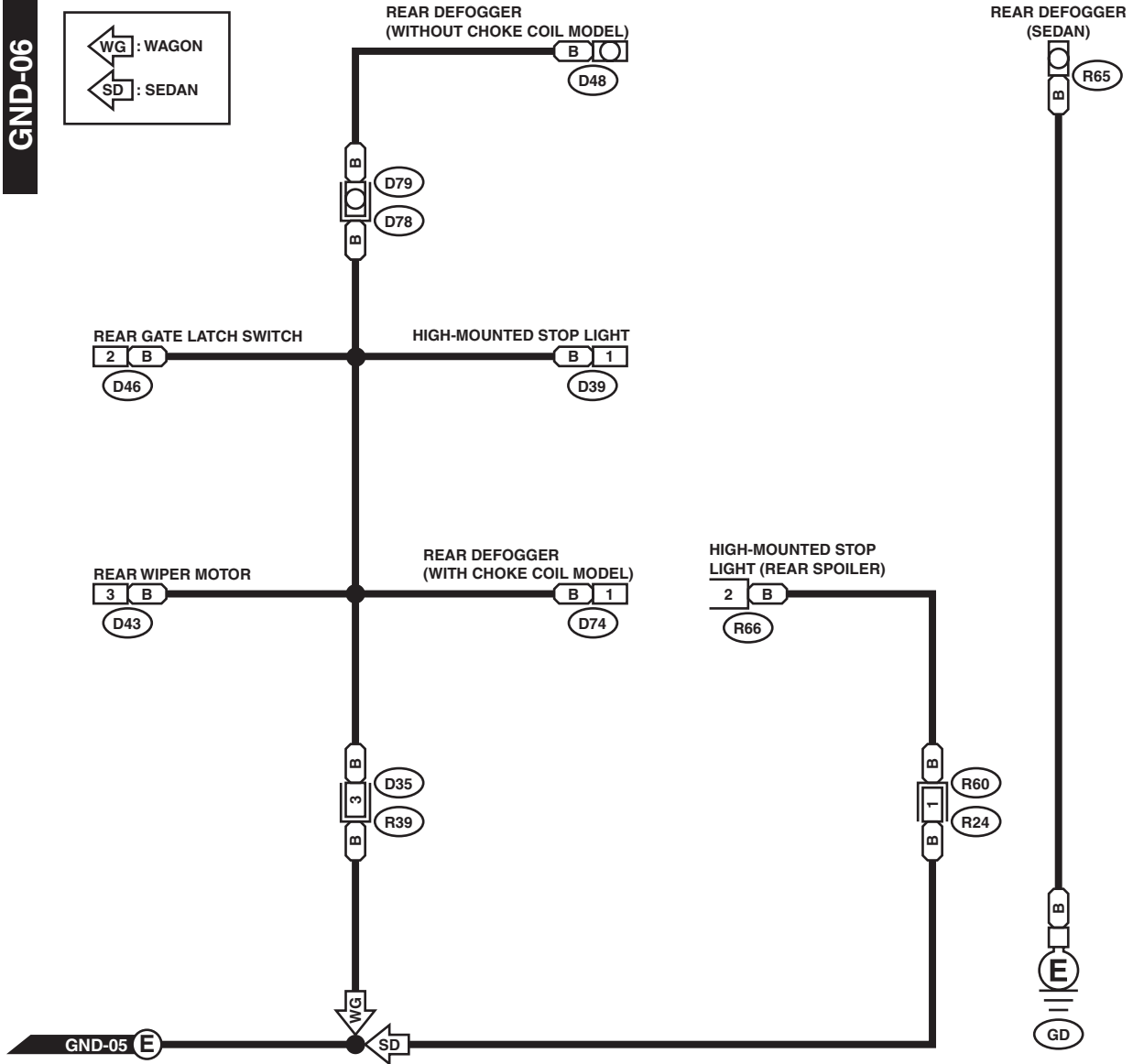
GROUND DISTRIBUTION

WIRING SYSTEM

GND-06



GND-06



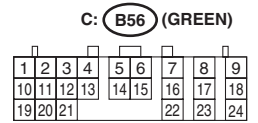
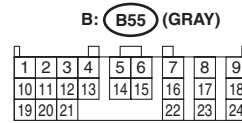
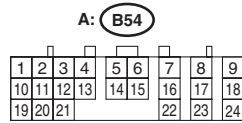
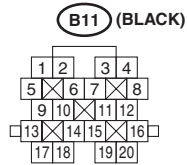
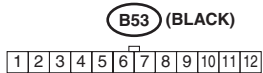
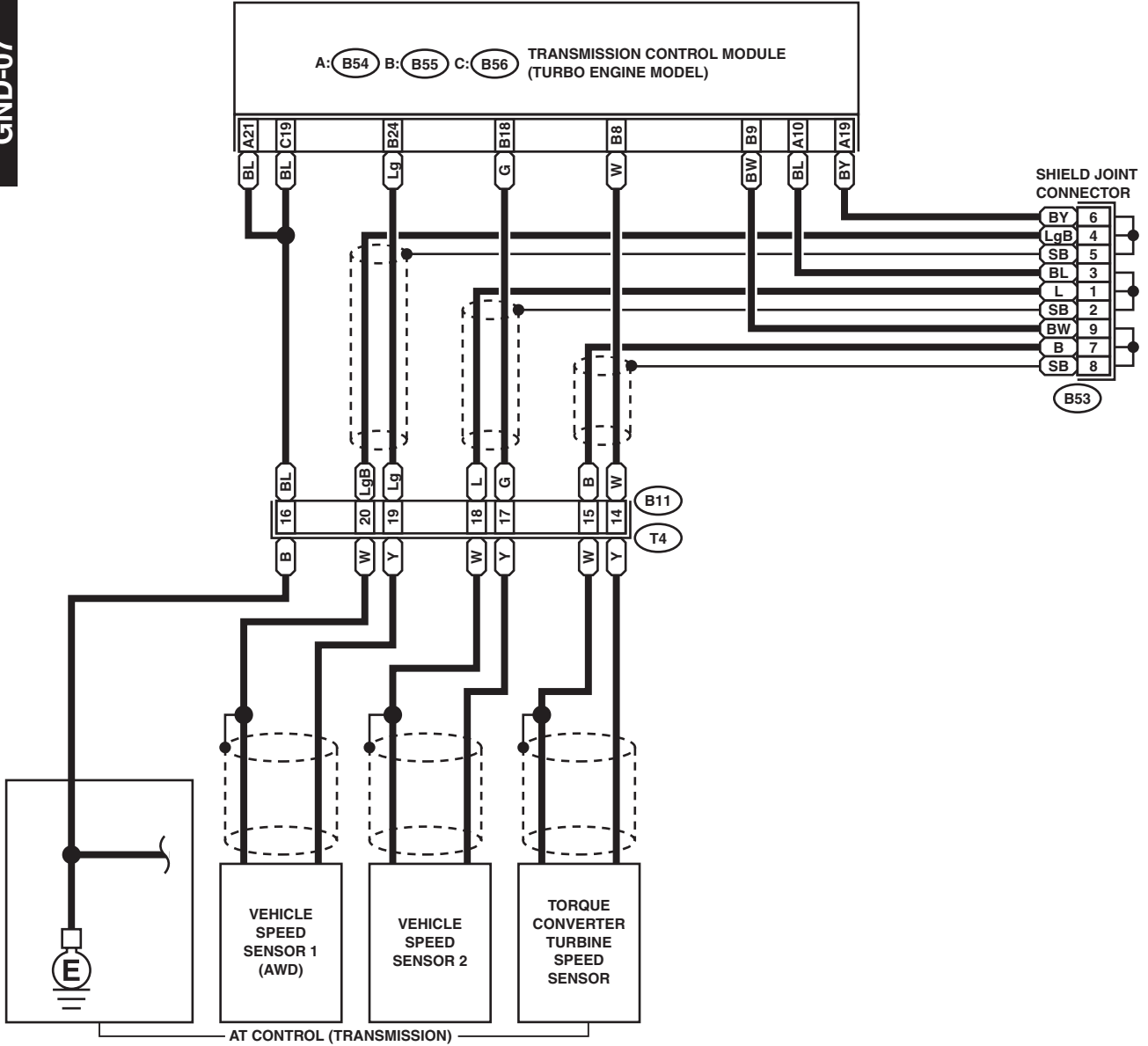
WI-01098

GROUND DISTRIBUTION

WIRING SYSTEM

GND-07

GND-07

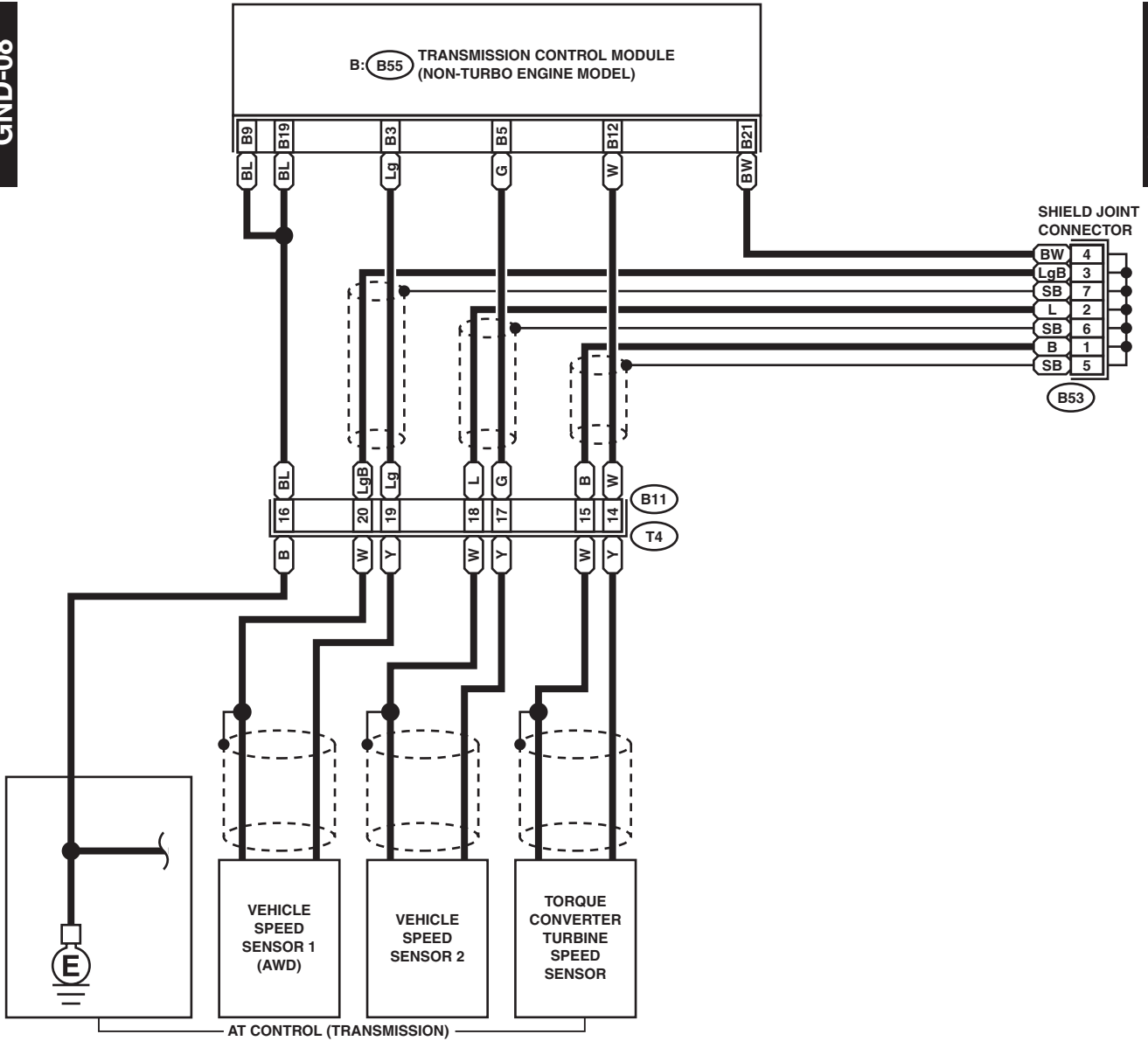


WI-01099

GROUND DISTRIBUTION

GND-08

GND-08



B53

1	2	3	4
5	6	7	8

B11 (BLACK)

1	2	3	4
5	6	7	8
9	10	11	12
13	14	15	16
17	18	19	20

B: (B55) (GRAY)

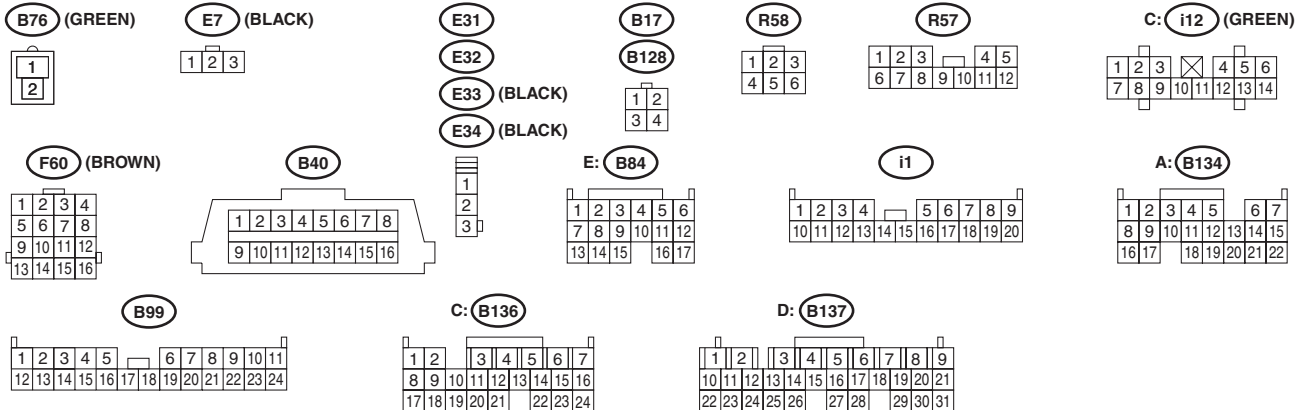
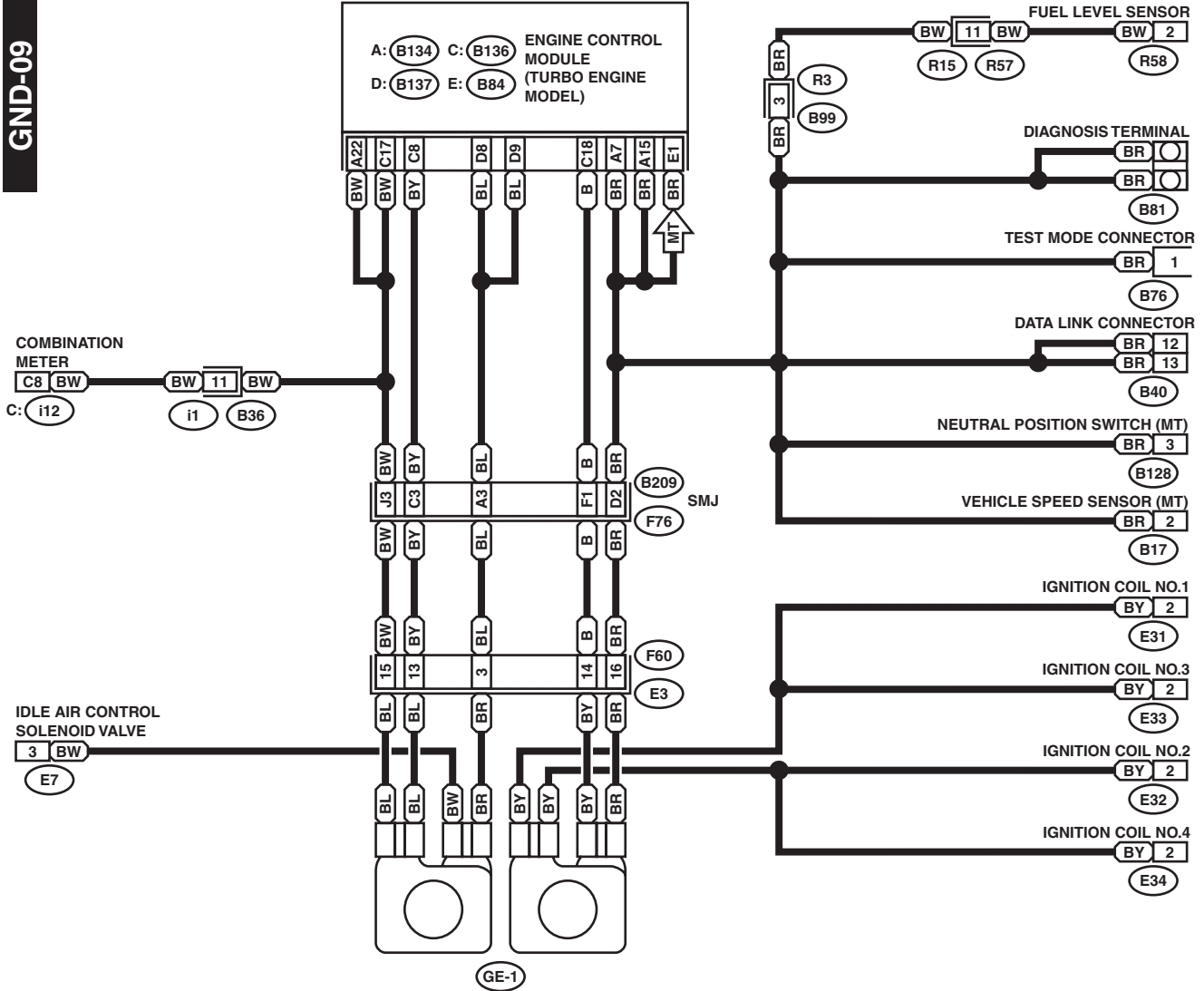
1	2	3	4	5	6	7	8	9
10	11	12	13	14	15	16	17	18
19	20	21				22	23	24

GROUND DISTRIBUTION

WIRING SYSTEM

GND-09

GND-09



WI-01101

GROUND DISTRIBUTION

GND-10

GND-10

