

## REAR WIRING HARNESS AND TRUNK LID CORD

WIRING SYSTEM

### 53.Rear Wiring Harness and Trunk Lid Cord

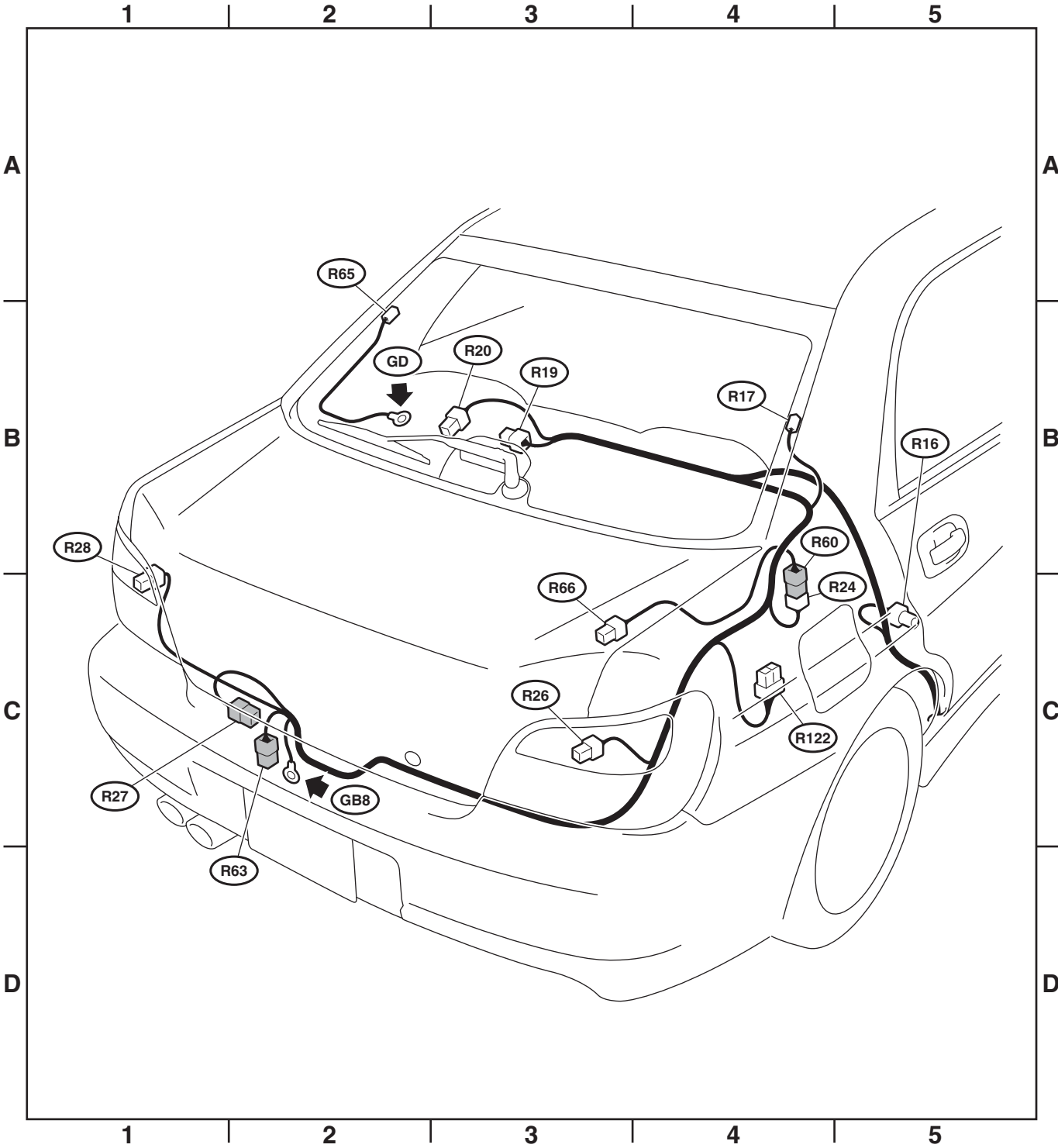
#### A: LOCATION

Connector				Connecting to	
No.	Pole	Color	Area	No.	Name
R16	3	★	C-5		Rear door switch RH
R17	1	Black	B-4		Rear defogger (Power)
R19	2	Blue	B-3		High-mounted stop light
R20	2	Black	B-3		Trunk room light
R24	2	★	C-4	R60	Trunk lid cord
R26	6	★	C-3		Rear combination light RH
R27	2	★	C-2		Trunk room light switch
R28	6	★	C-1		Rear combination light LH
R60	2	★	C-4	R24	Rear wiring harness
R63	2	★	C-2		License plate light
R65	1	★	B-2		Rear defogger (Ground)
R66	2	Black	C-3		High-mounted stop light (Rear spoiler)
R122	10	★	C-4		Fuel pump controller (Turbo engine model)

★: Non-colored

# REAR WIRING HARNESS AND TRUNK LID CORD

WIRING SYSTEM



WI-01182