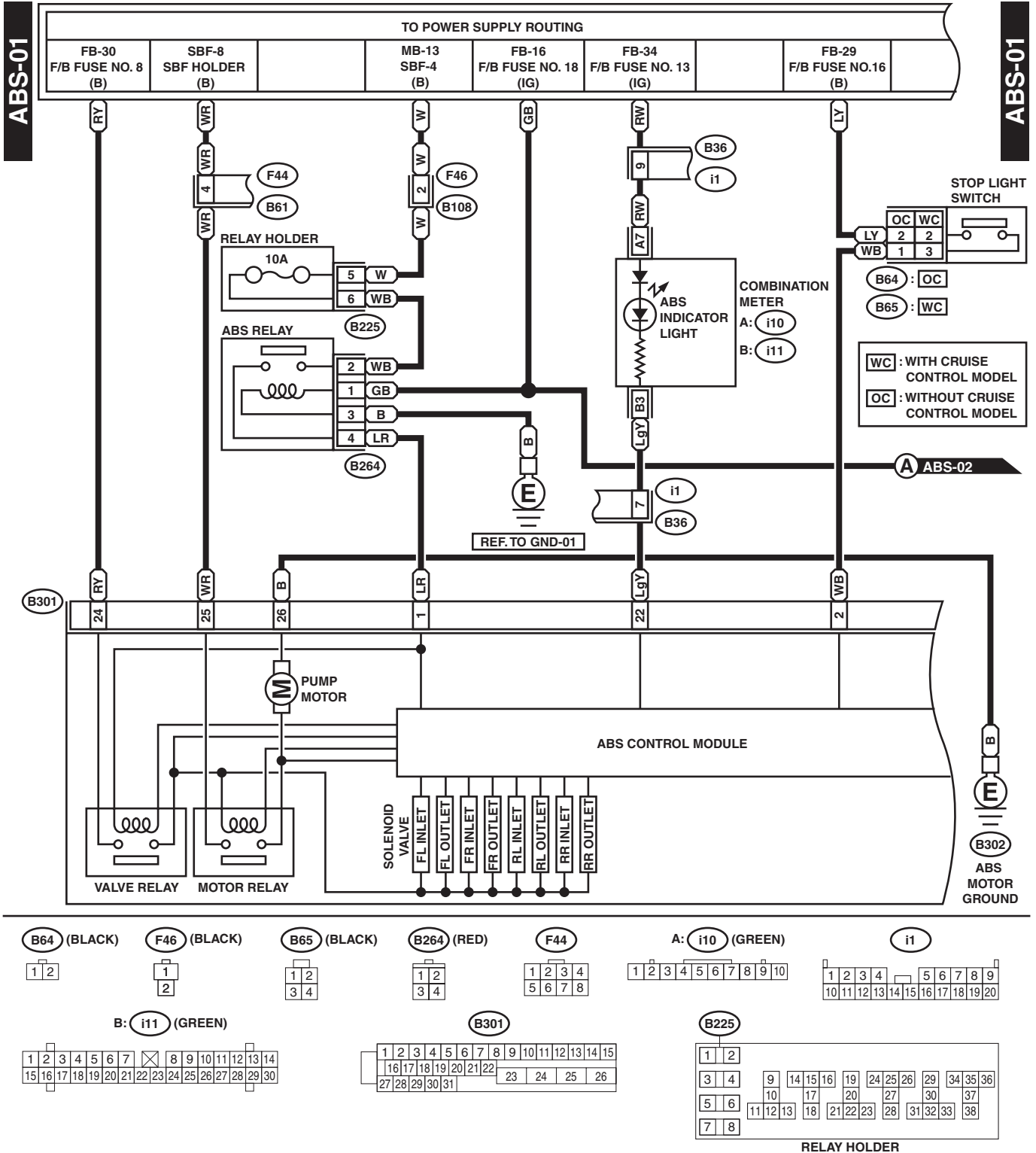


# ANTI-LOCK BRAKE SYSTEM

WIRING SYSTEM

## 8. Anti-lock Brake System

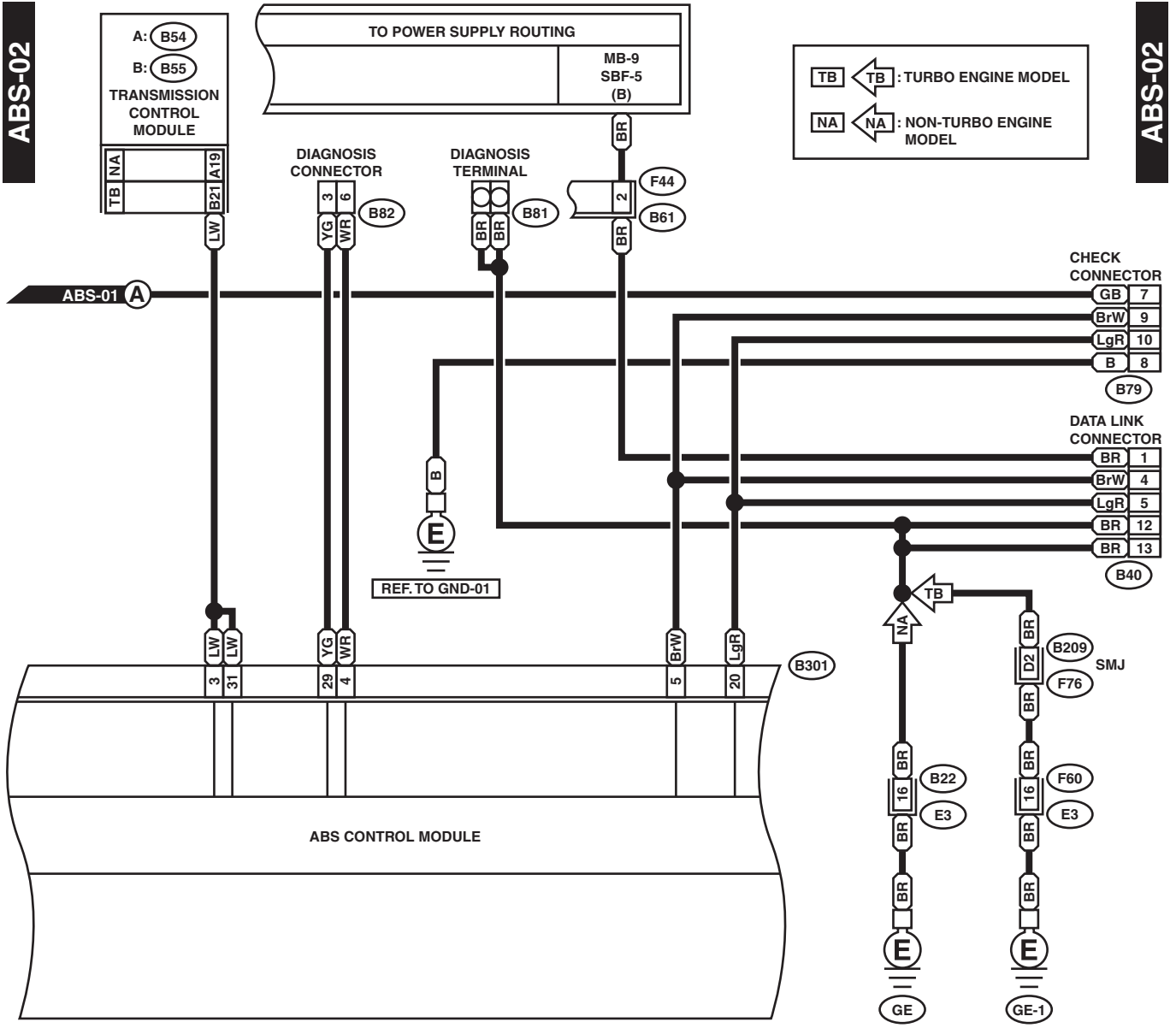
### A: SCHEMATIC



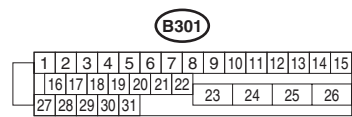
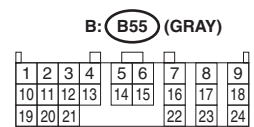
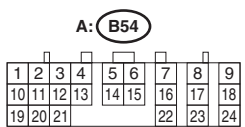
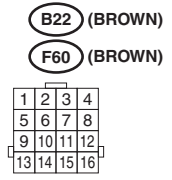
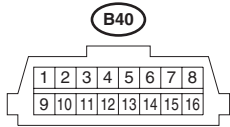
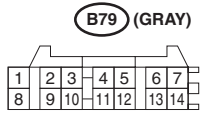
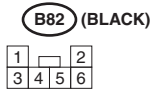
WI-01106

# ANTI-LOCK BRAKE SYSTEM

WIRING SYSTEM



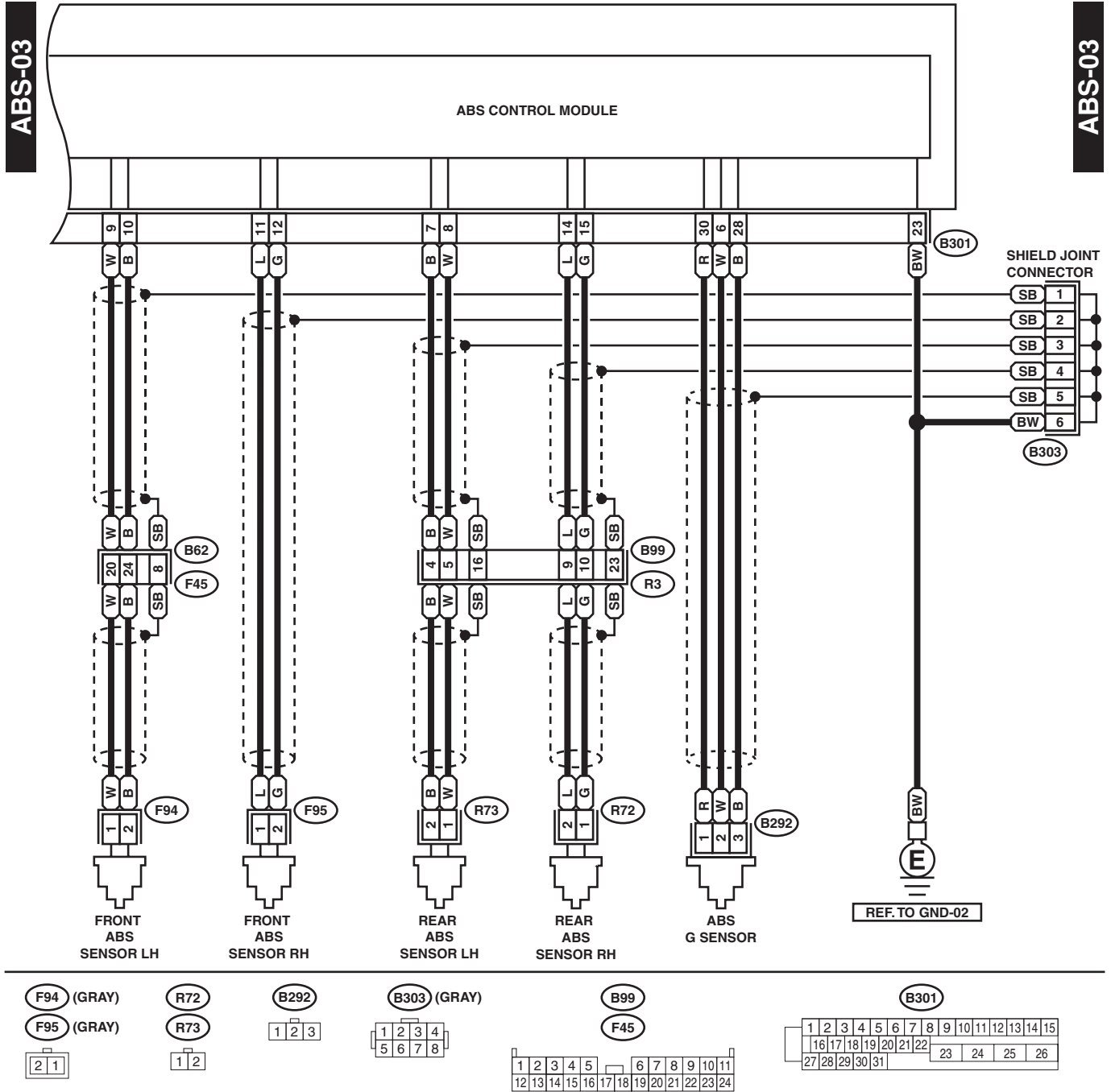
**ABS-02**



WI-01107

# ANTI-LOCK BRAKE SYSTEM

## WIRING SYSTEM



WI-01108

