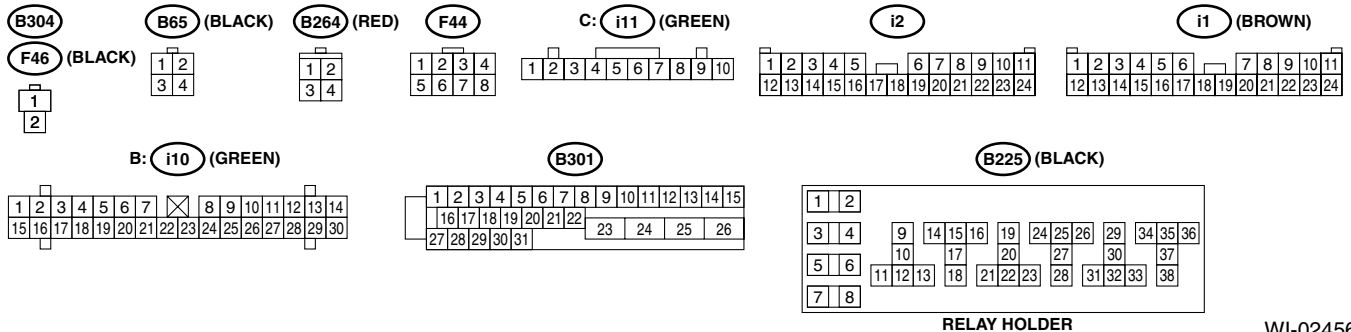
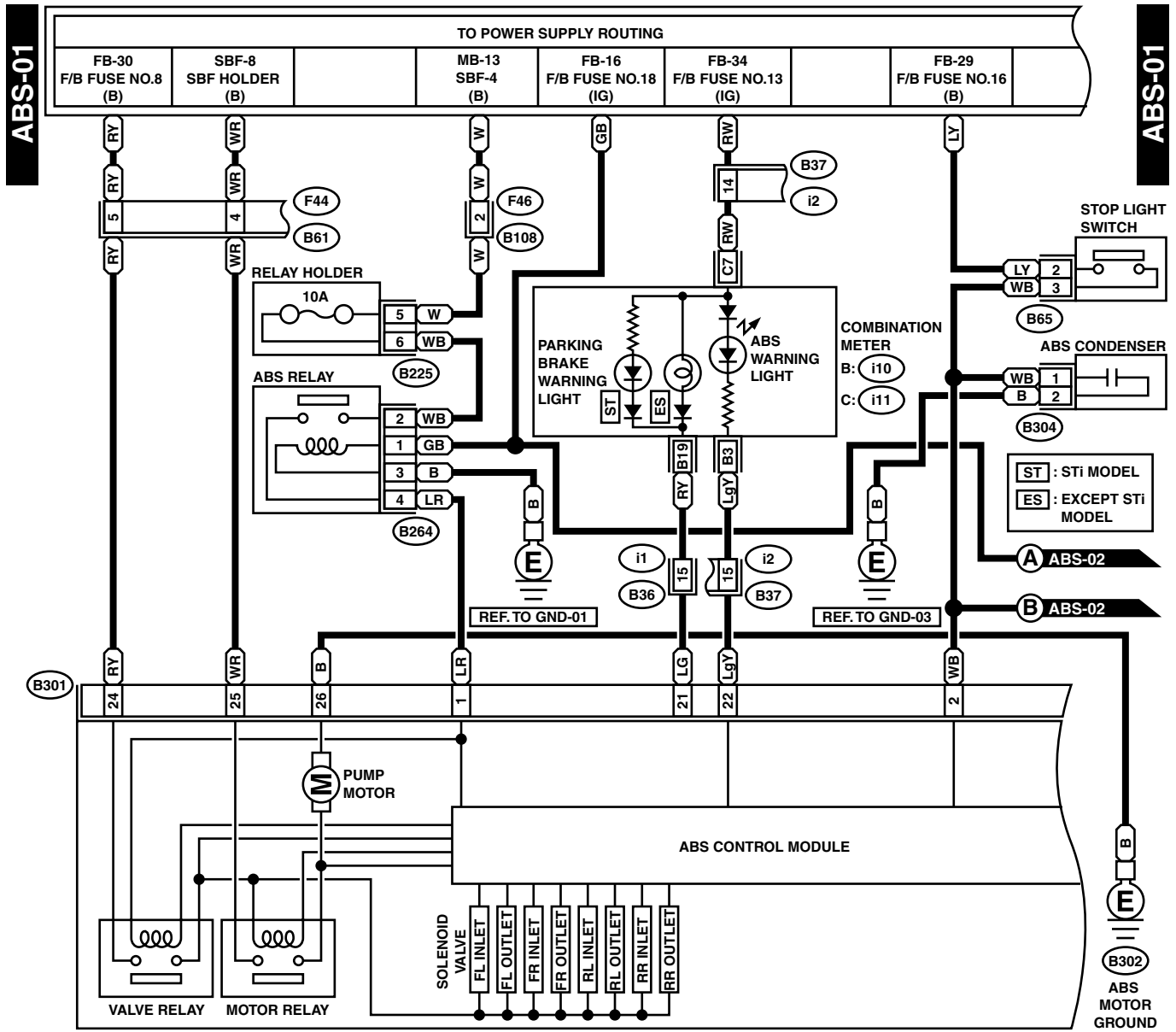


## 7. Anti-lock Brake System

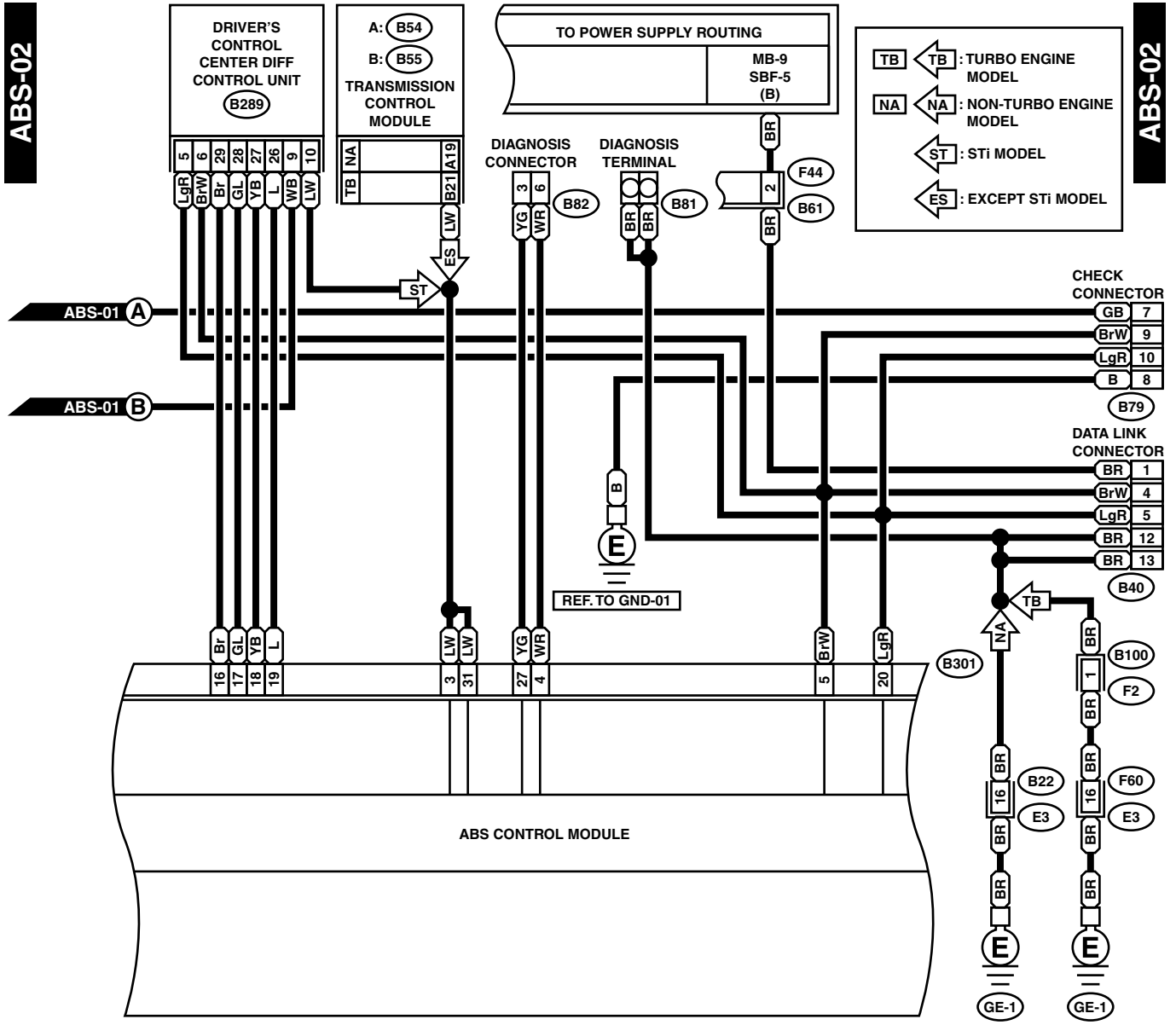
### A: SCHEMATIC



WI-02456

# ANTI-LOCK BRAKE SYSTEM

## WIRING SYSTEM



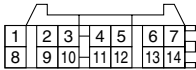
B82 (BLACK)



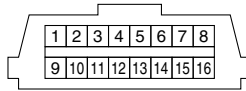
F44



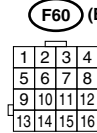
B79 (GRAY)



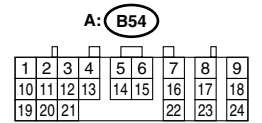
B40



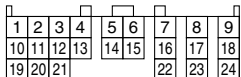
B22 (BROWN)



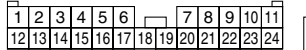
F60 (BROWN)



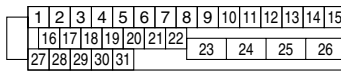
B: B55 (GRAY)



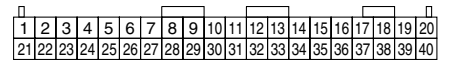
F2 (BLACK)



B301



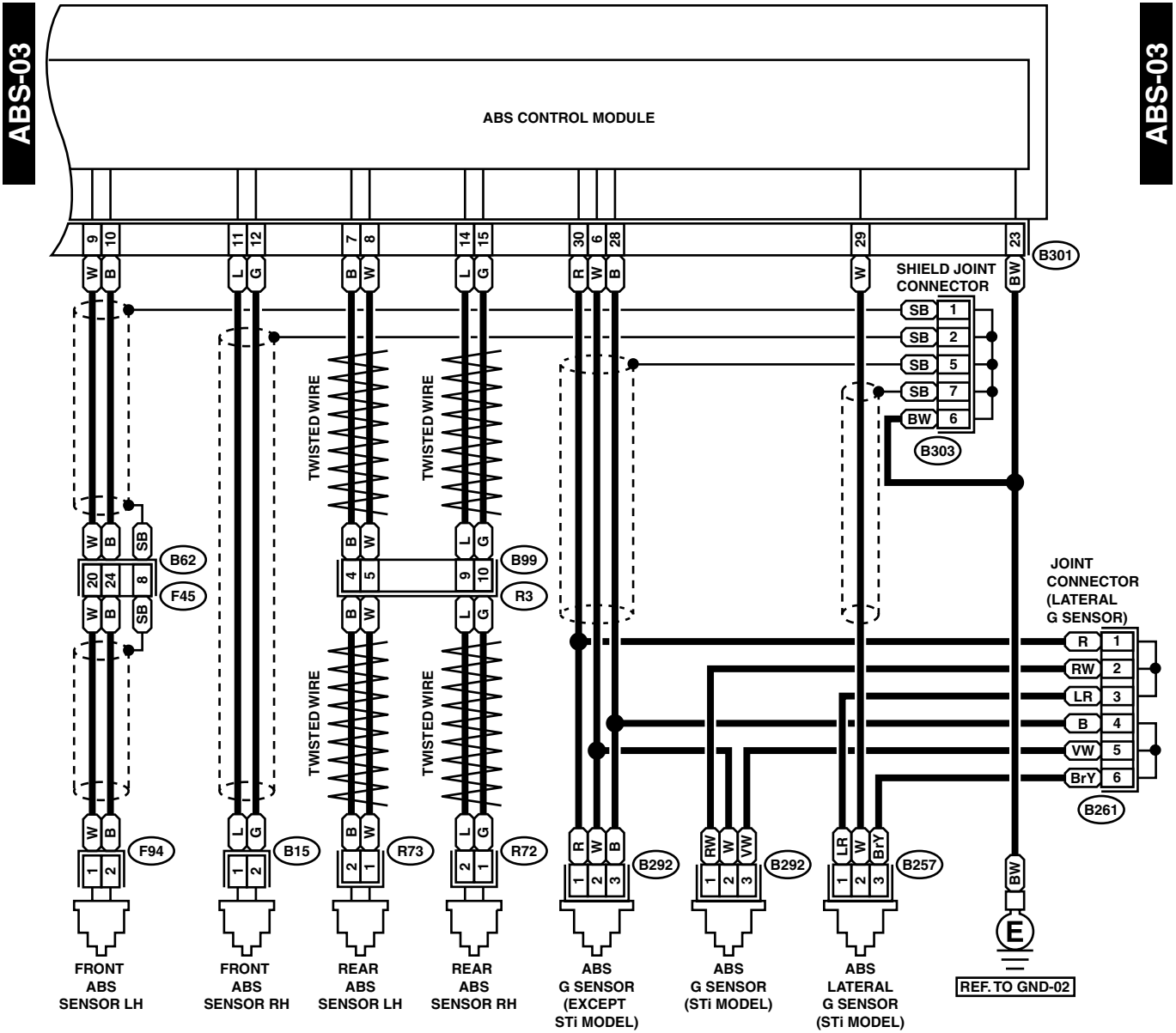
B289



WI-02457

# ANTI-LOCK BRAKE SYSTEM

WIRING SYSTEM



B15 (GRAY)

R72

B257

B261

B303 (GRAY)

B99

F94 (GRAY)

R73

B292

1	2	3	4	5	6
---	---	---	---	---	---

1	2	3	4
5	6	7	8

F45

2	1
---	---

1	2
---	---

1	2	3
---	---	---

B301

1	2	3	4	5	6	7	8	9	10	11	12	13	14	15
16	17	18	19	20	21	22								
27	28	29	30	31			23	24	25	26				

1	2	3	4	5		6	7	8	9	10	11	
12	13	14	15	16	17	18	19	20	21	22	23	24

WI-02799