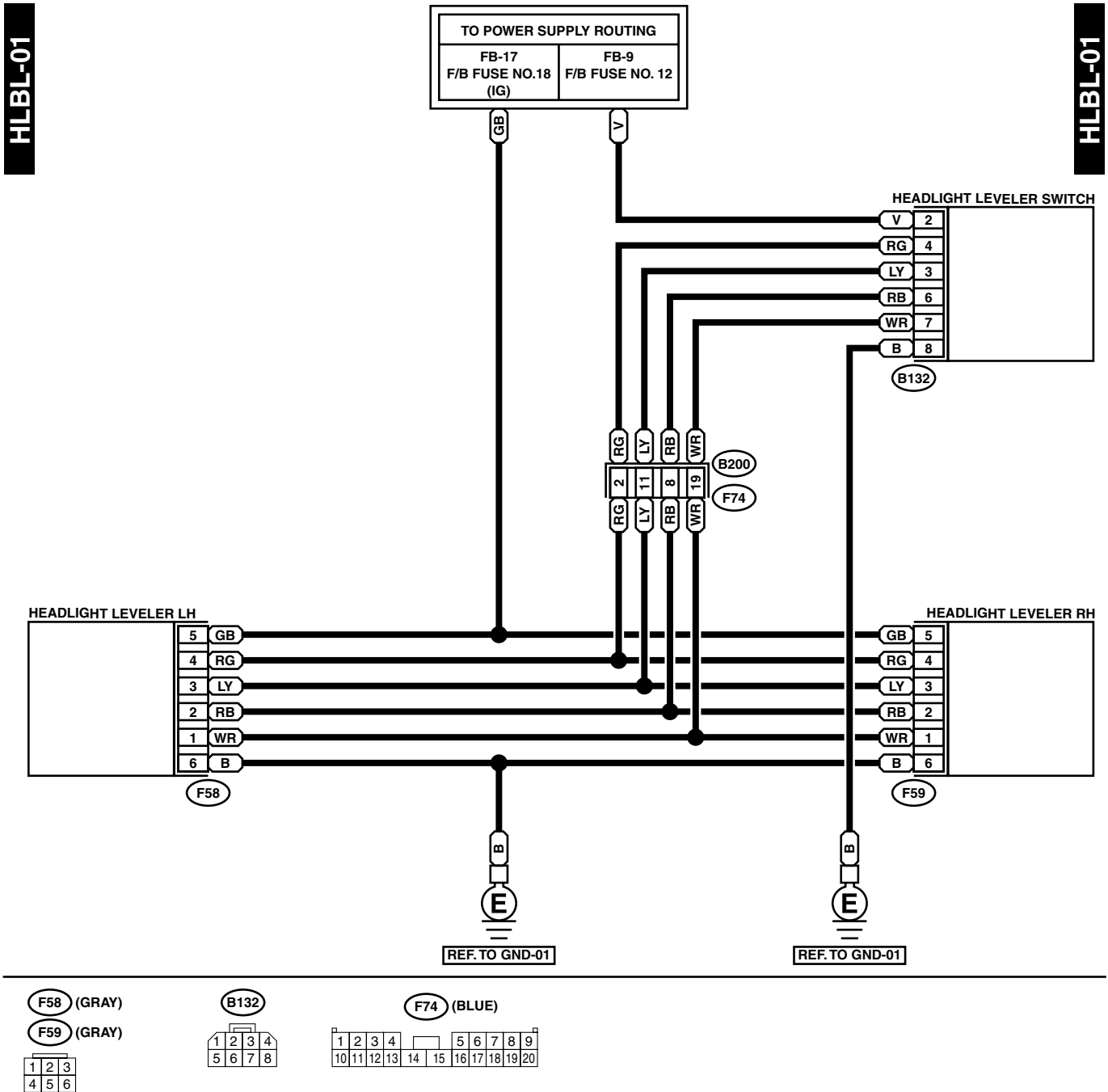


HEADLIGHT BEAM LEVELER SYSTEM

WIRING SYSTEM

20.Headlight Beam Leveler System

A: SCHEMATIC



WI-02979