

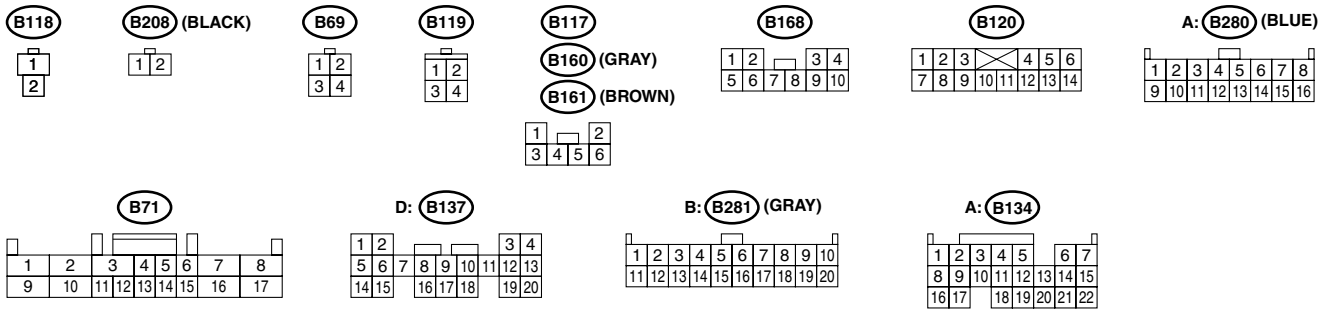
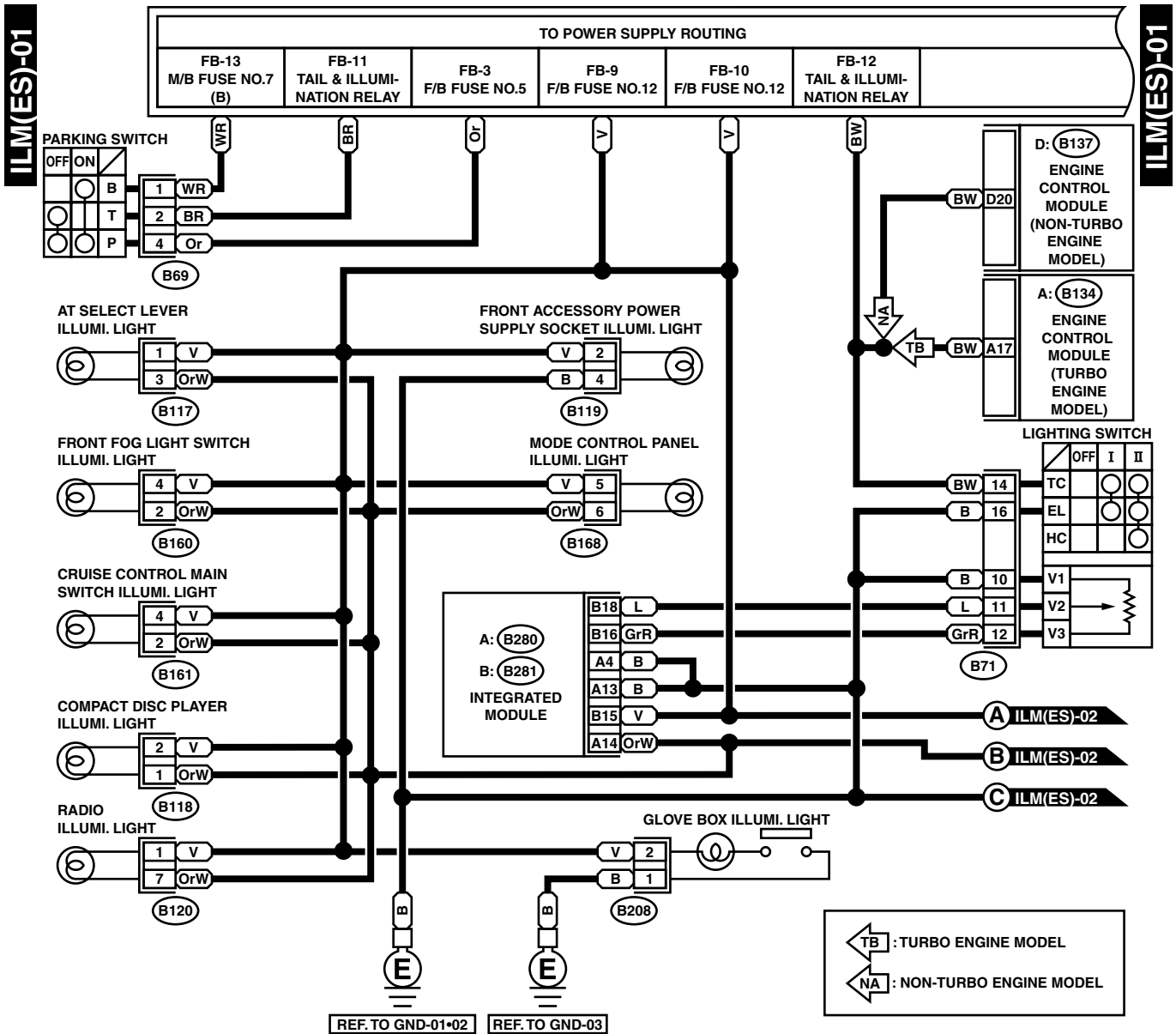
CLEARANCE LIGHT AND ILLUMINATION LIGHT SYSTEM

WIRING SYSTEM

24. Clearance Light and Illumination Light System

A: SCHEMATIC

1. EXCEPT FOR STi MODEL



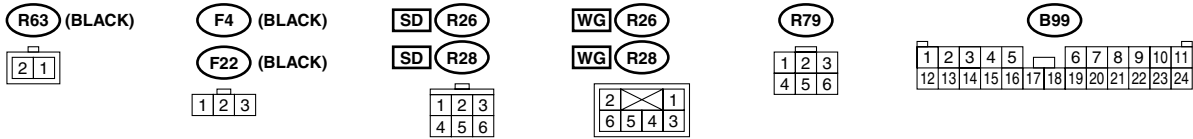
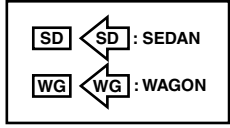
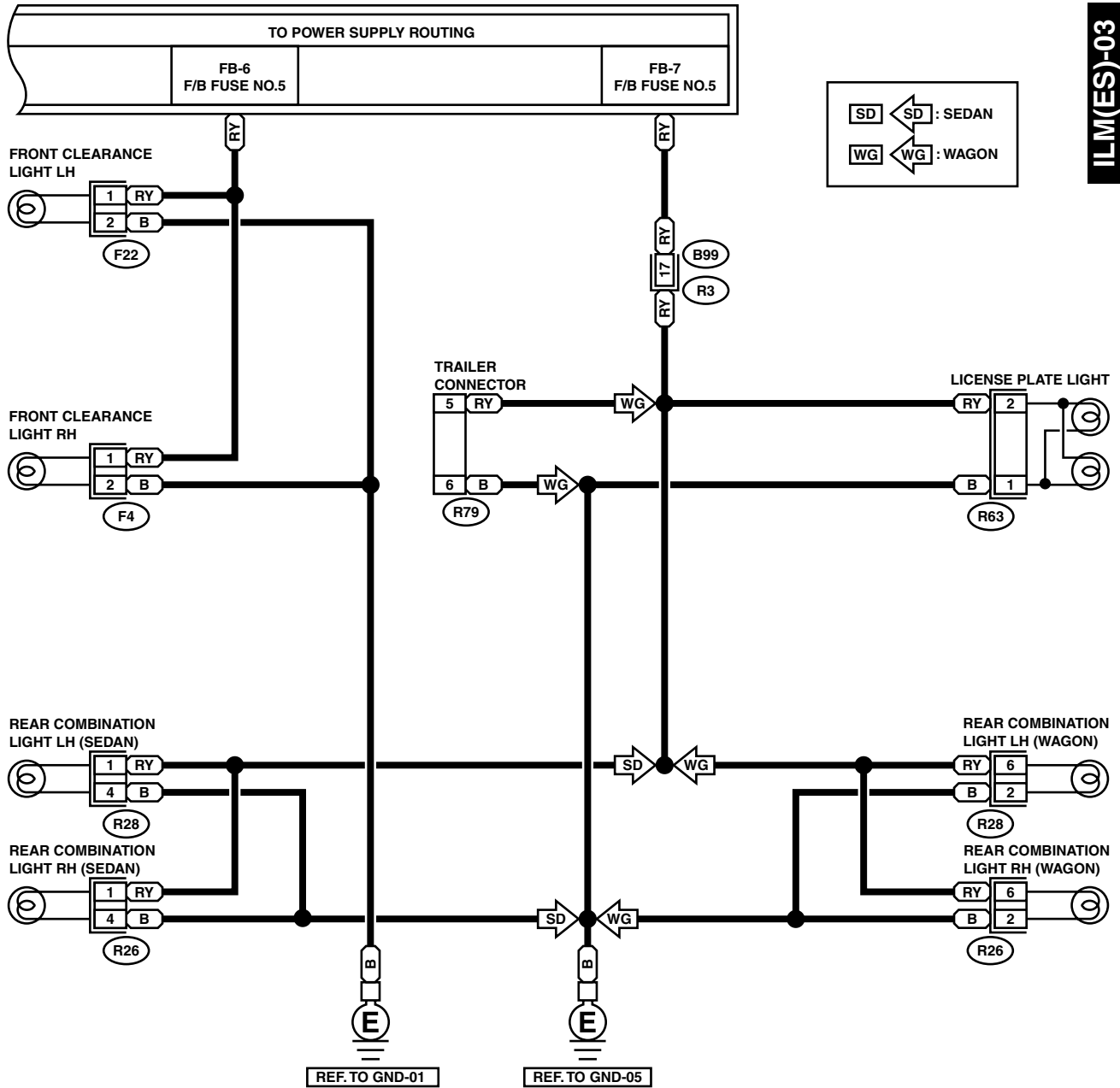
WI-02491

CLEARANCE LIGHT AND ILLUMINATION LIGHT SYSTEM

WIRING SYSTEM

ILM(ES)-03

ILM(ES)-03

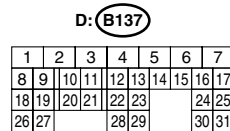
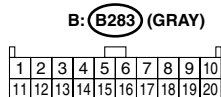
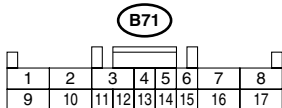
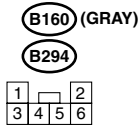
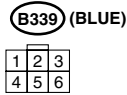
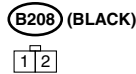
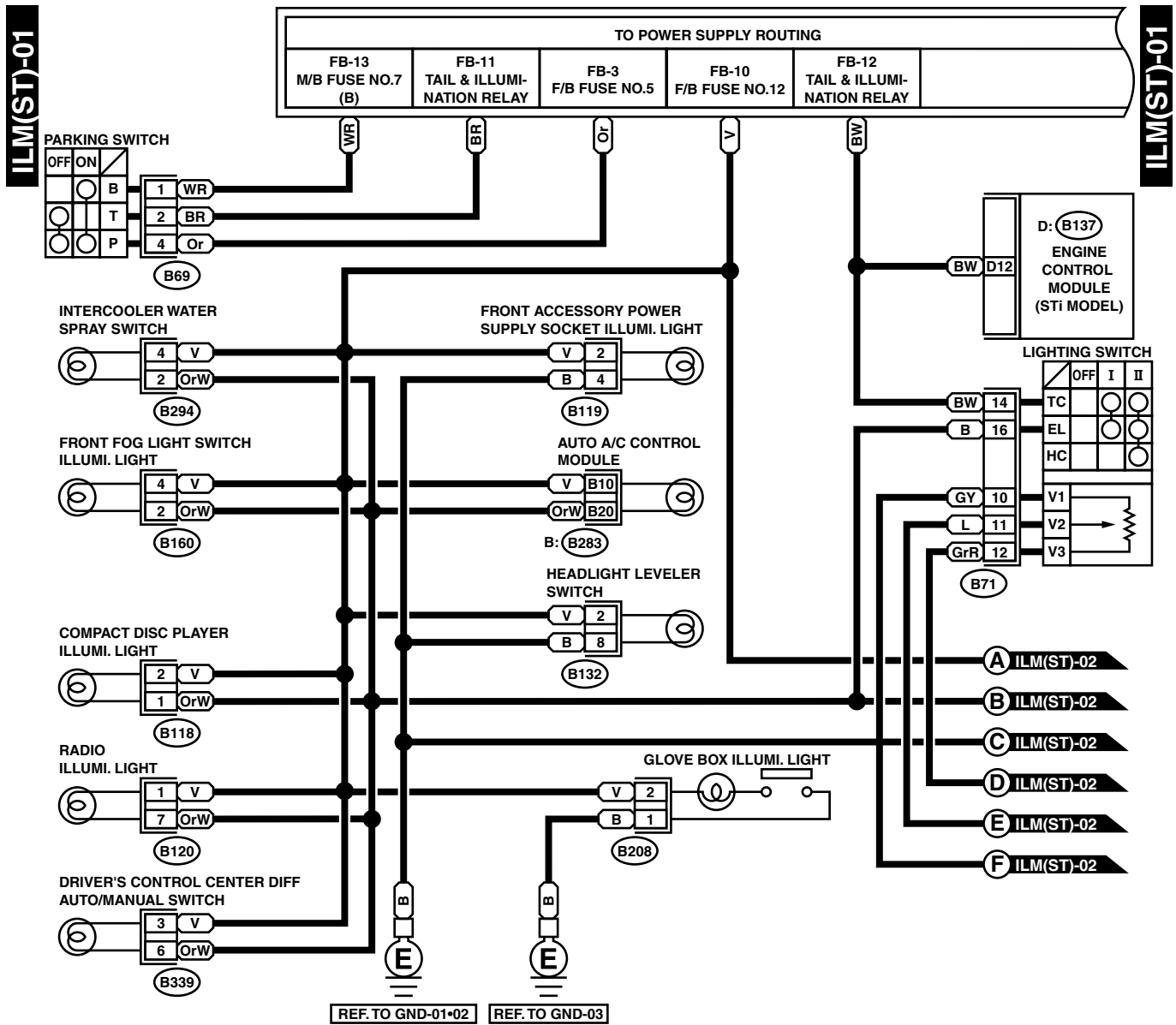


WI-02493

CLEARANCE LIGHT AND ILLUMINATION LIGHT SYSTEM

WIRING SYSTEM

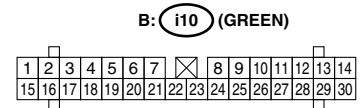
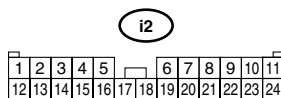
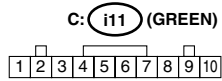
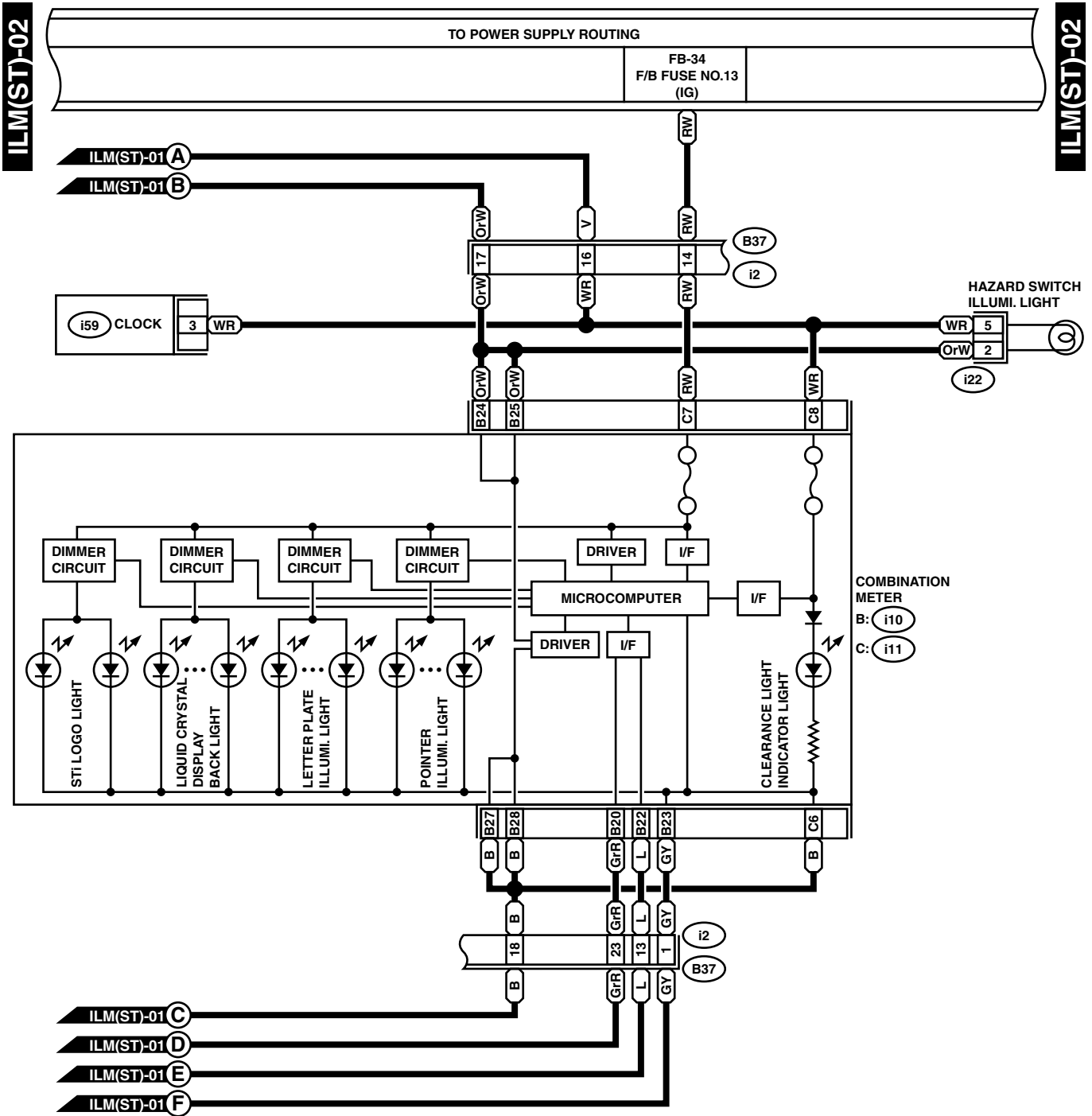
2. STi MODEL



WI-02817

CLEARANCE LIGHT AND ILLUMINATION LIGHT SYSTEM

WIRING SYSTEM



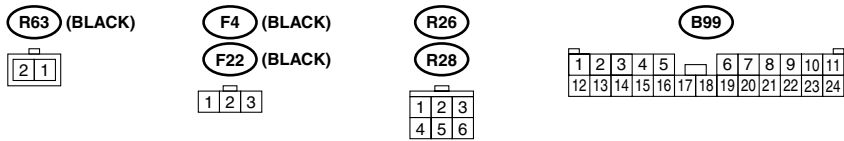
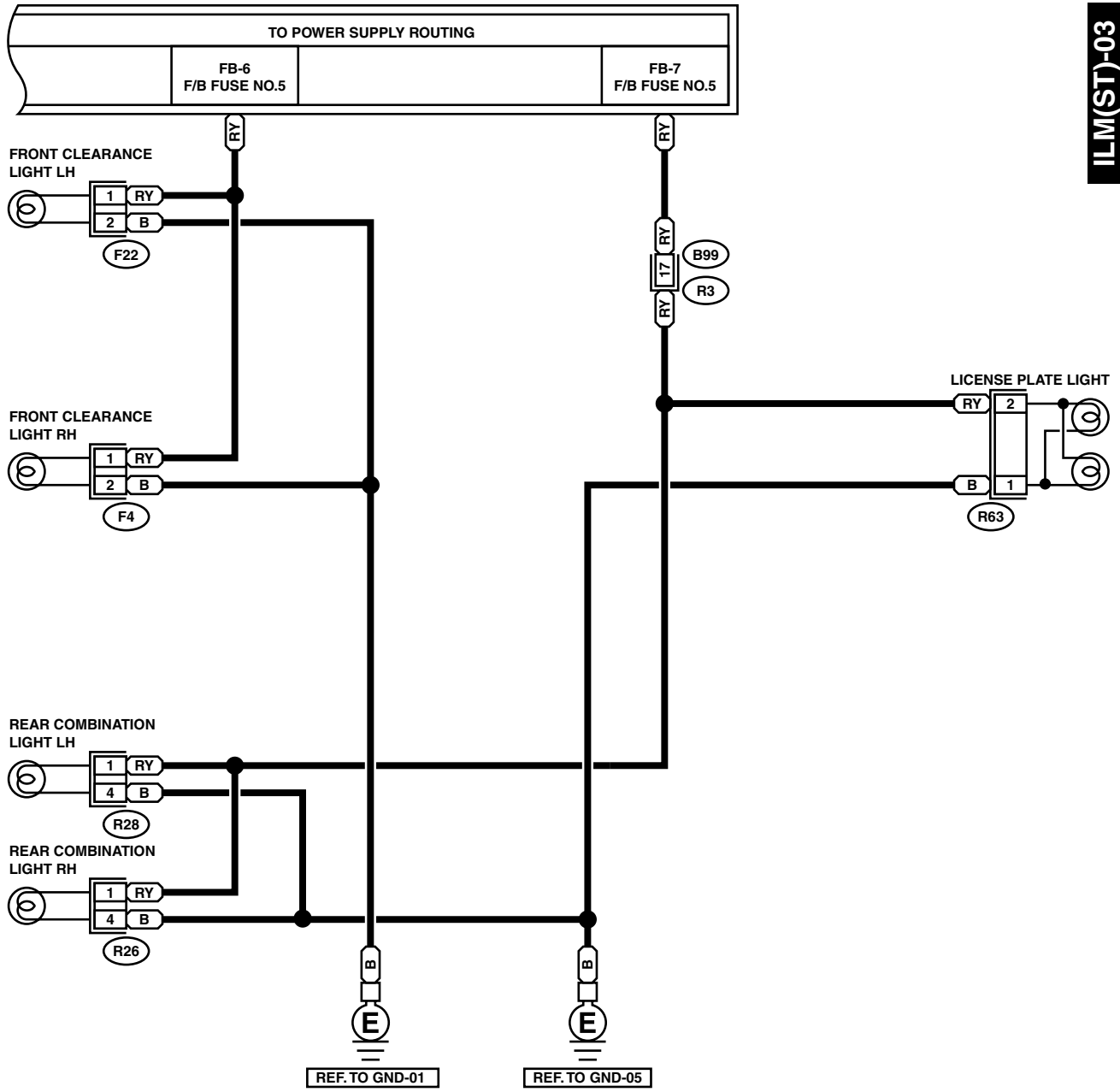
WI-02818

CLEARANCE LIGHT AND ILLUMINATION LIGHT SYSTEM

WIRING SYSTEM

ILM(ST)-03

ILM(ST)-03



WI-02819