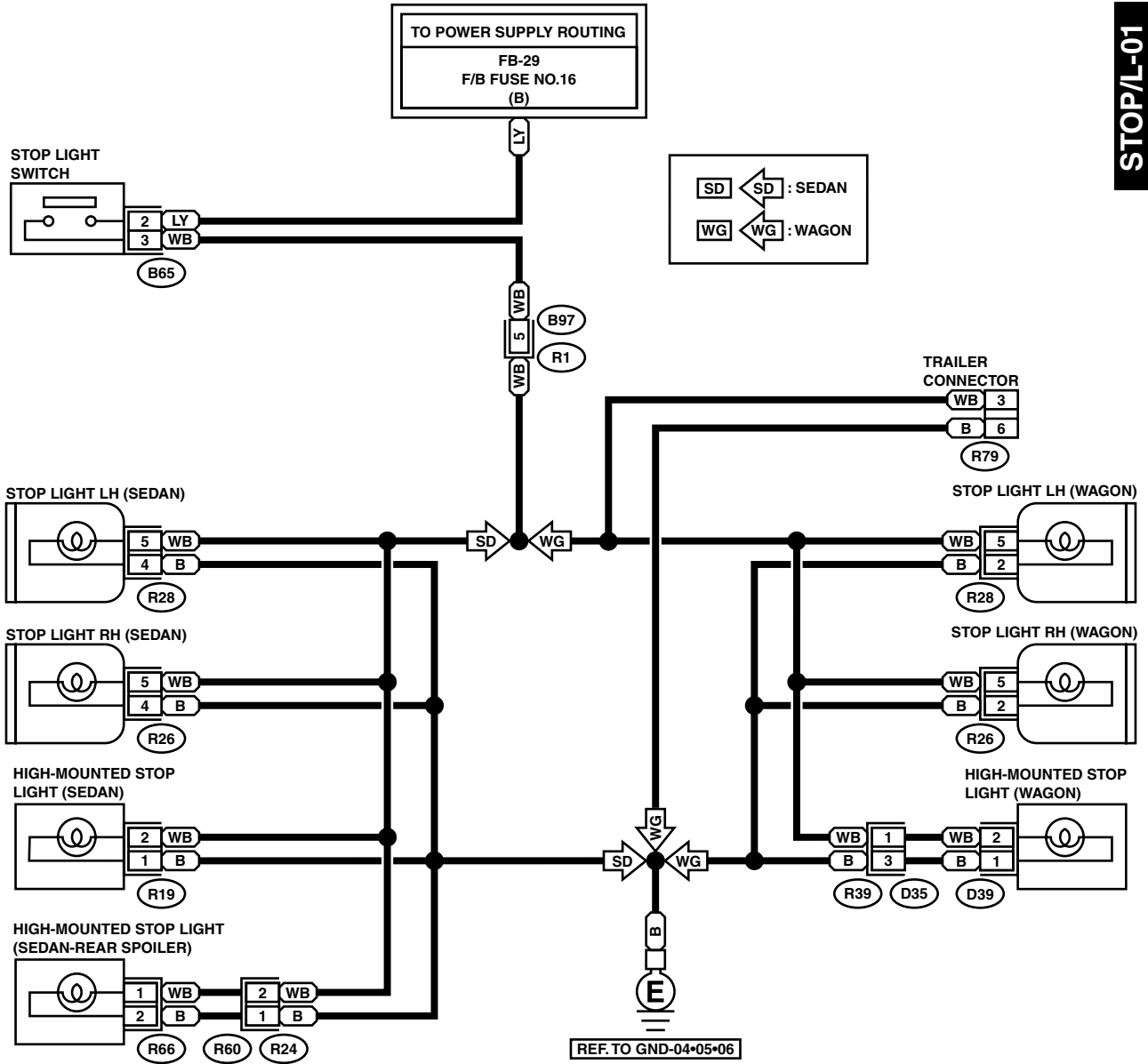


28. Stop Light System

A: SCHEMATIC

STOP/L-01

STOP/L-01



REF. TO GND-04*05*06

