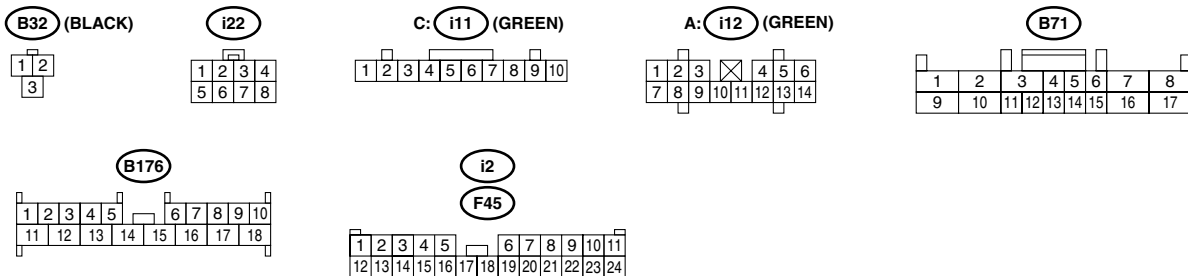
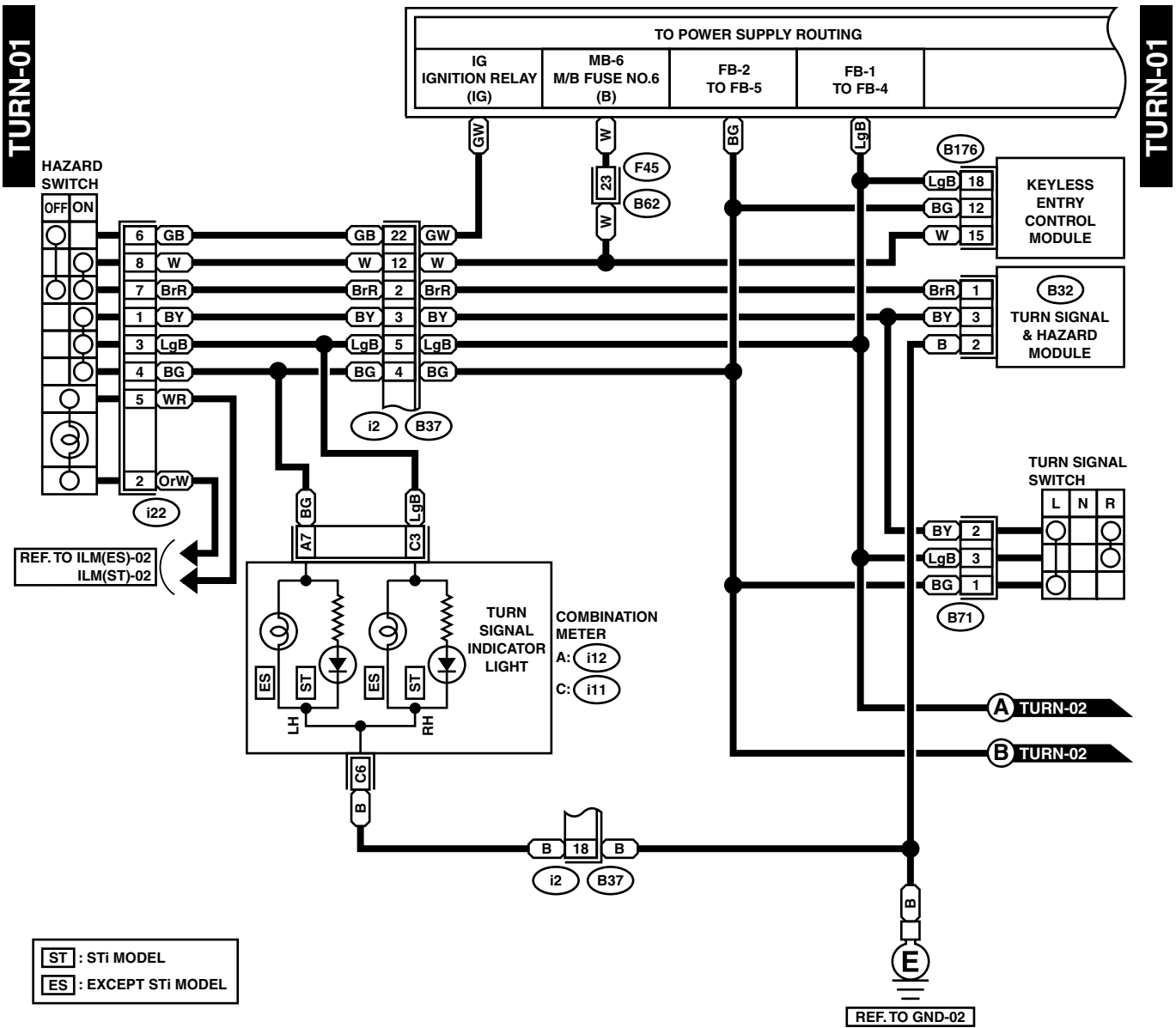


TURN SIGNAL LIGHT AND HAZARD LIGHT SYSTEM

WIRING SYSTEM

29. Turn Signal Light and Hazard Light System

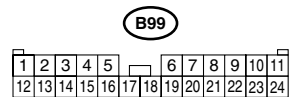
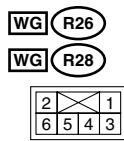
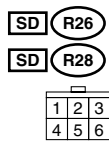
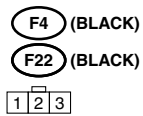
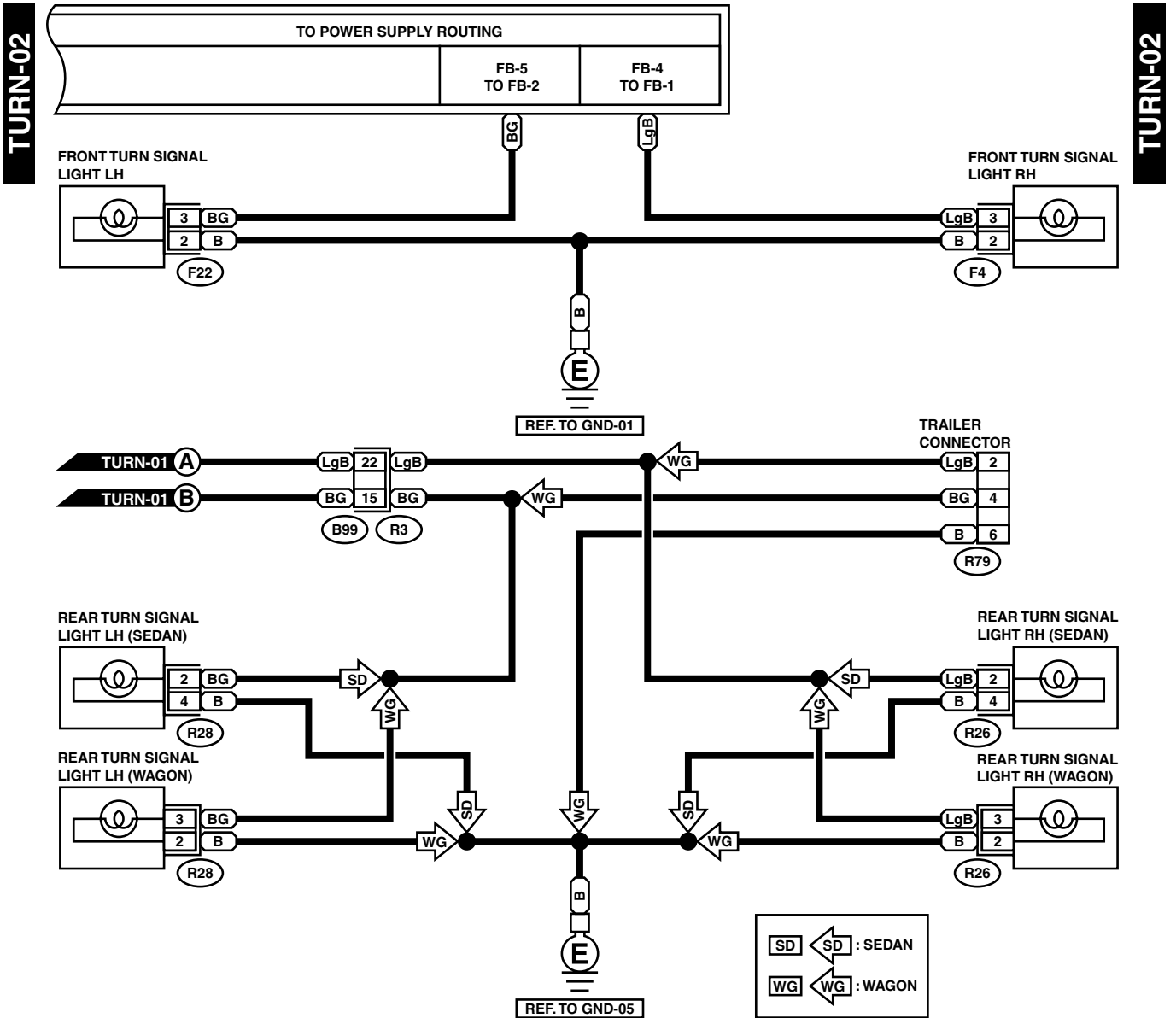
A: SCHEMATIC



WI-02499

TURN SIGNAL LIGHT AND HAZARD LIGHT SYSTEM

WIRING SYSTEM



WI-02500