

OIL PRESSURE WARNING LIGHT SYSTEM

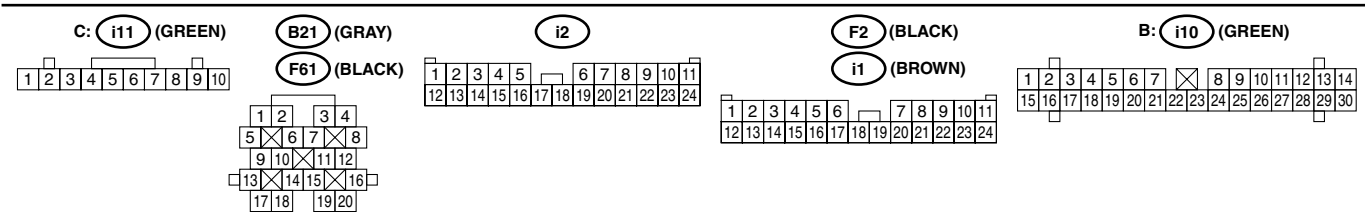
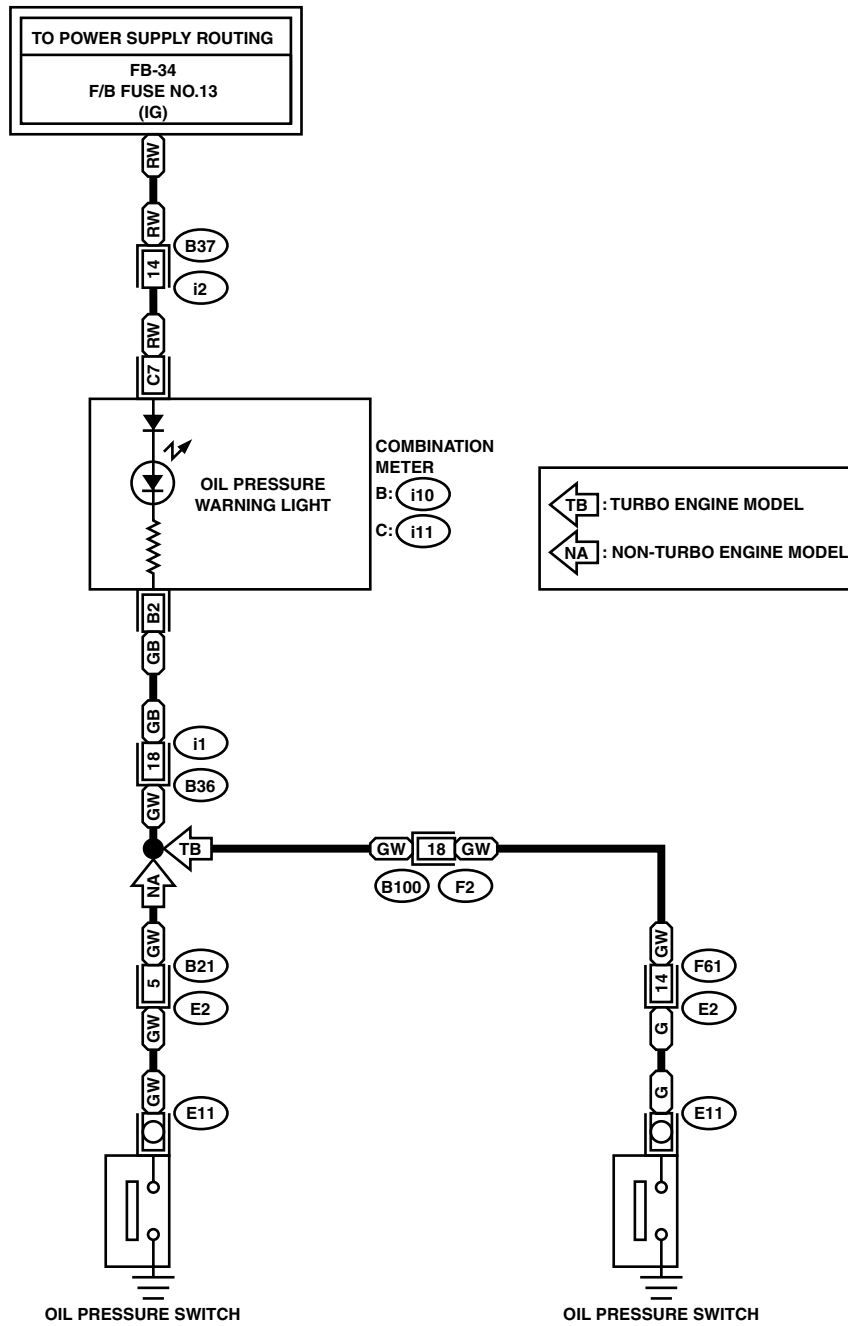
WIRING SYSTEM

30.Oil Pressure Warning Light System

A: SCHEMATIC

OIL/P-01

OIL/P-01



WI-02501