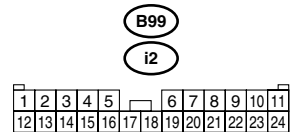
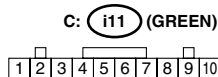
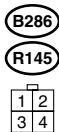
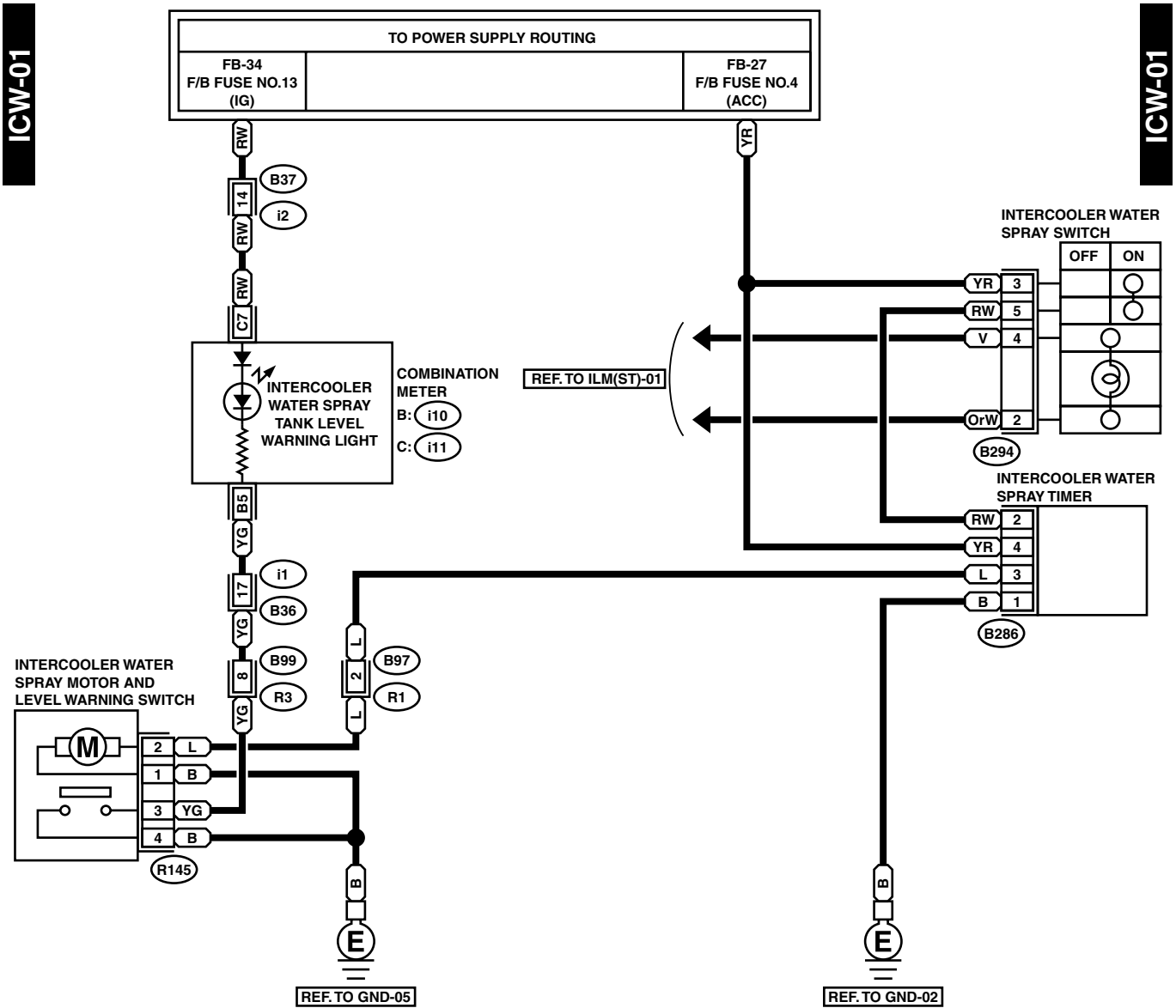


INTERCOOLER WATER SPRAY SYSTEM

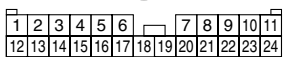
WIRING SYSTEM

47. Intercooler Water Spray System

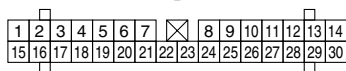
A: SCHEMATIC



i1 (BROWN)



B: i10 (GREEN)



WI-02820