

WIRING SYSTEM

1. Basic Diagnostic Procedure

A: BASIC PROCEDURES

1. GENERAL DESCRIPTION

The most important purpose of diagnostics is to determine which part is malfunctioning quickly, to save time and labor.

2. IDENTIFICATION OF TROUBLE SYMPTOM

Determine what the problem is based on the symptom.

3. PROBABLE CAUSE OF TROUBLE

Look at the wiring diagram and check system's circuit. Then check the switch, relay, fuse, ground, etc.

4. LOCATION AND REPAIR OF TROUBLE

- 1) Using the diagnostics, narrow down the causes.
- 2) If necessary, use a voltmeter, ohmmeter, etc.
- 3) Before replacing certain component parts (switch, relay, etc.), check the power supply, ground, for open wiring harness, poor connectors, etc. If no problems are encountered, check the component parts.

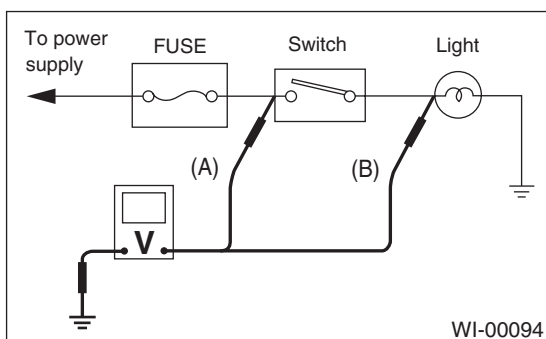
5. CHECK SYSTEM OPERATION

After repairing, ensure that the system operates properly.

B: BASIC INSPECTION

1. VOLTAGE MEASUREMENT

- 1) Using a voltmeter, connect the negative lead to a good ground point or negative battery terminal and the positive lead to the connector or component terminal.
- 2) Contact the positive lead of the voltmeter on connector (A). The voltmeter will indicate a voltage.
- 3) Shift the positive lead to connector (B). The voltmeter will indicate no voltage.



- 4) With the test set-up held as it is, turn the switch ON. The voltmeter will indicate a voltage and, at the same time, the light will come on.

- 5) The circuit is in good order. If a problem such as a light failing to illuminate occurs, use the procedures outlined above to track down malfunction.

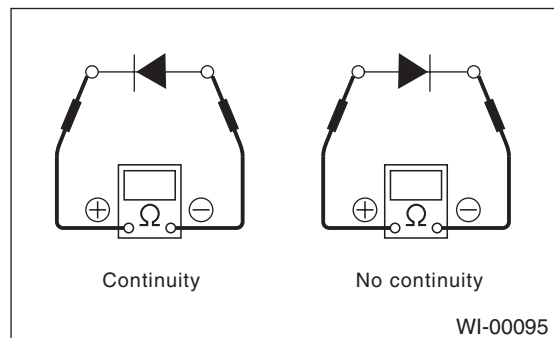
2. CIRCUIT CONTINUITY CHECKS

- 1) Disconnect the battery terminal or connector so there is no voltage between check points. Contact the two leads of an ohmmeter to each of the check points.

If the circuit has diodes, reverse the two leads and check again.

- 2) Use an ohmmeter to check for the diode continuity. When contacting the negative lead to diode positive side and positive lead to negative side, there should be continuity.

When contacting the two leads in reverse, there should be no continuity.



- 3) Symbol "○ — ○" indicates that continuity exists between two points or terminals. For example, when a switch position is at "3", continuity exists among terminals 1, 3 and 6, as shown in table below.

Terminal	Switch Position					
Switch Position	1	2	3	4	5	6
OFF						
1	○ — ○				○ — ○	
2	○ — ○			○ — ○		○ — ○
3	○ — ○		○ — ○			○ — ○
4	○ — ○	○ — ○				○ — ○

WI-00096

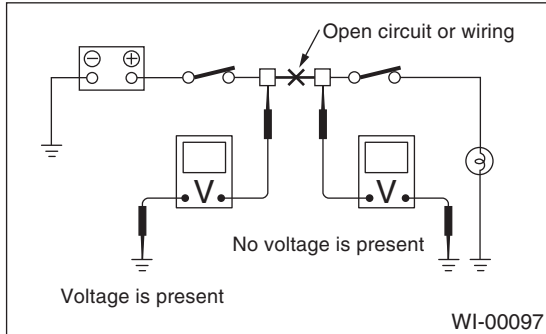
Basic Diagnostic Procedure

WIRING SYSTEM

3. HOW TO DETERMINE AN OPEN CIRCUIT

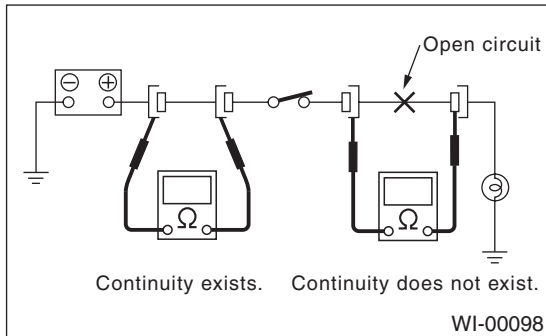
1) WITH VOLTMETER:

An open circuit is determined by measuring the voltage between respective connectors and ground using a voltmeter, starting with the connector closest to power supply. The power supply must be turned ON so that current flows in the circuit. If voltage is not present between a particular connector and ground, the circuit between that connector and previous connector is open.



2) WITH OHMMETER:

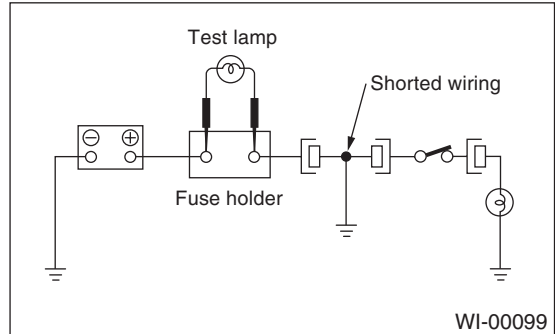
Disconnect all connectors affected, and check the continuity in wiring between adjacent connectors. When the ohmmeter indicates "infinite", the wiring is open.



4. HOW TO DETERMINE A SHORT CIRCUIT

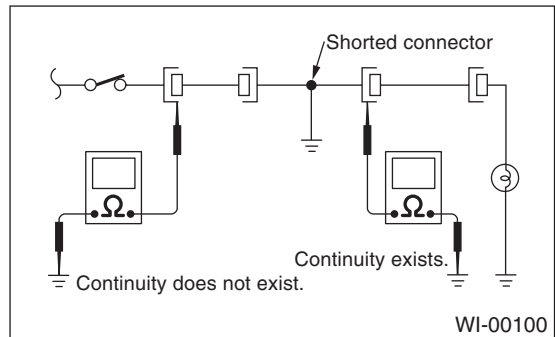
1) WITH TEST LIGHT:

Connect a test light (rated at approx. 3 watts) in place of the blown fuse and allow current to flow through the circuit. Disconnect one connector at a time from the circuit, starting with the one located farthest from power supply. If the test light goes out when a connector is disconnected, the wiring between that connector and next connector (farther from the power supply) is shorted.



2) WITH OHMMETER:

Disconnect all affected connectors, and check the continuity between each connector and ground. When the ohmmeter indicates continuity between a particular connector and a ground, that the connector is shorted.



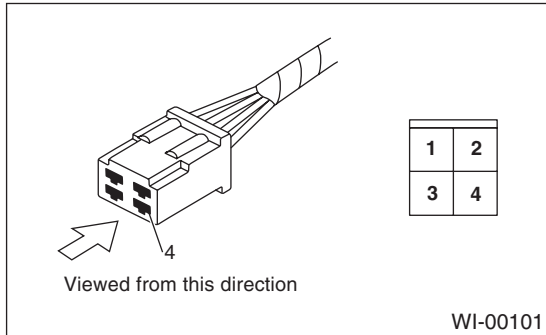
C: HOW TO READ WIRING DIAGRAMS

1. WIRING DIAGRAM

The wiring diagram of each system is illustrated so that you can understand the path through which electric current flows from battery.

Sketches and codes are used in the diagrams. They should read as follows:

- Each connector and its terminal position are indicated by a sketch of the connector in a disconnected state which is viewed from front.



- The number of poles or pins, presence of a lock are indicated in the sketch of each connector. In the sketch, the highest pole number refers to the number of poles which connector has. For example, the sketch of connector shown in the figure indicates the connector has 9 poles.

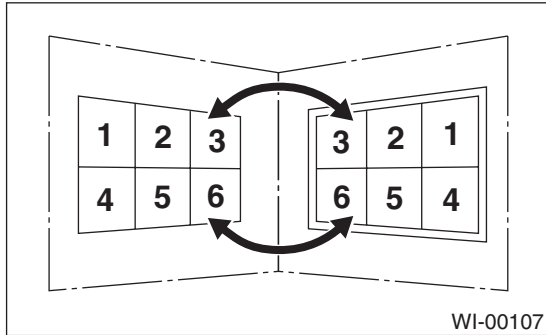
Connector used in vehicle	Connector shown in wiring diagram										
	Sketch	Symbol	Number of poles								
	<p>Double frames</p> <p>Indicates a lock is included.</p> <table border="1" style="margin-left: auto; margin-right: auto;"> <tr> <td>4</td> <td>3</td> <td>2</td> <td>1</td> </tr> <tr> <td>9</td> <td>8</td> <td>7</td> <td>6</td> </tr> </table> <p>Indicates the number of poles.</p>	4	3	2	1	9	8	7	6		<p>Numbered in order from upper right to lower left.</p>
4	3	2	1								
9	8	7	6								
	<p>Indicates a lock is included.</p> <table border="1" style="margin-left: auto; margin-right: auto;"> <tr> <td>1</td> <td>2</td> <td>3</td> <td>4</td> </tr> <tr> <td>5</td> <td>6</td> <td>7</td> <td>8</td> </tr> </table> <p>Single frame</p>	1	2	3	4	5	6	7	8		<p>Numbered in order from upper left to lower right</p>
1	2	3	4								
5	6	7	8								

WI-00102

Basic Diagnostic Procedure

WIRING SYSTEM

- When one set of connectors is viewed from the front side, the pole numbers of one connector are symmetrical to those of other. When these two connectors are connected as a unit, the poles which have the same number are joined.



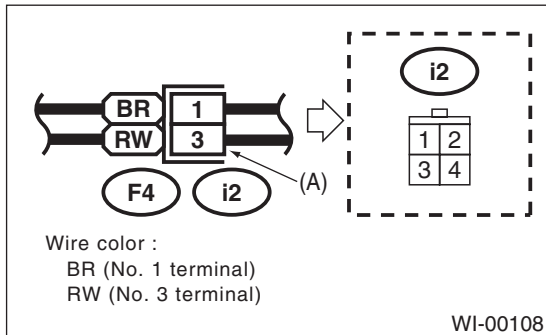
WIRING DIAGRAM:

The connectors are numbered along with the number of poles, external colors, and mating connections in accompanying list.

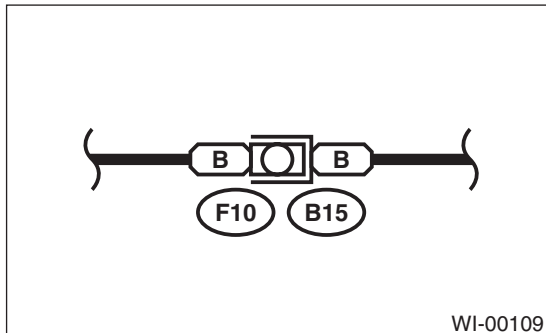
- The sketch of each connector in the wiring diagram usually shows (A) side of the connector. The relationship between wire color, terminal number and connector is described in figure.

NOTE:

A wire which runs in one direction from a connector terminal sometimes may have a different color from that which runs in the other direction from that terminal.

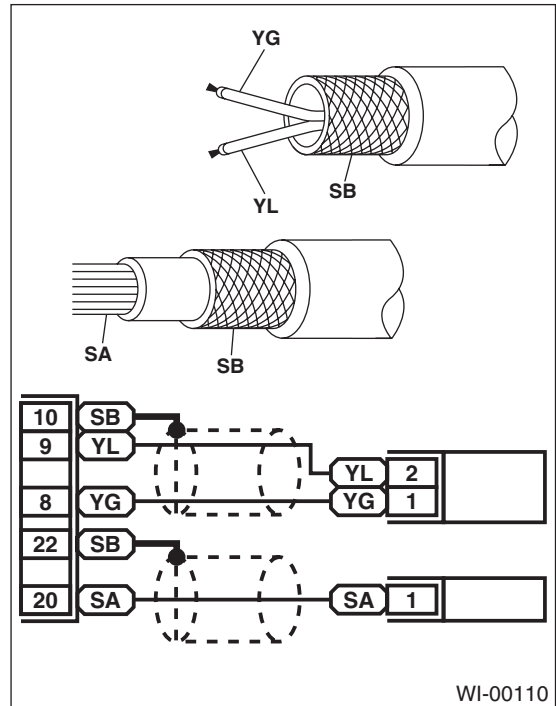


- In the wiring diagram, connectors which have no terminal number refer to one-pole types. Sketches of these connectors are omitted intentionally.

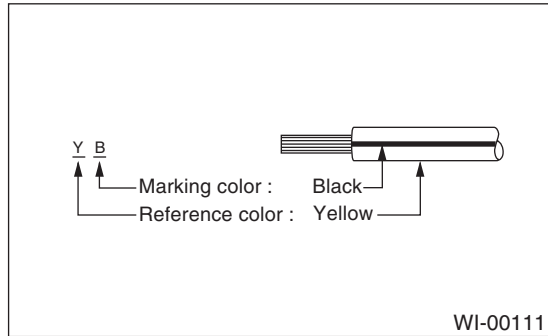


- The following color codes are used to indicate the colors of the wires used.

Color code	Color
L	Blue
B	Black
Y	Yellow
G	Green
R	Red
W	White
Br	Brown
Lg	Light green
Gr	Gray
P	Pink
Or	Orange
Sb	Sky blue
V	Violet
SA	Sealed (Inner)
SB	Sealed (Outer)



- The wire color code, which consists of two letters (or three letters including Br or Lg), indicates the standard color (base color of the wire covering) by its first letter and stripe marking by its second letter.



- The table lists the nominal sectional areas and allowable currents of wires.

CAUTION:

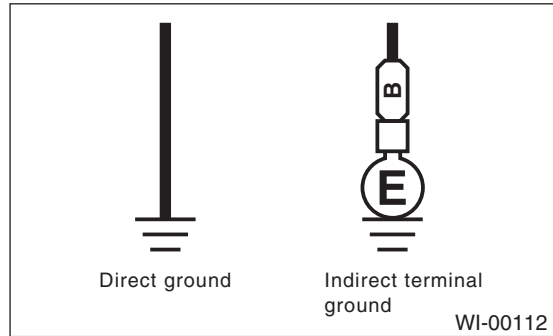
When replacing or repairing a wire, be sure to use the same size and type of wire which was originally used.

NOTE:

- The allowable current in the table indicates tolerable amperage of each wire at an ambient temperature of 40°C (104°F).
- The allowable current changes with ambient temperature. Also, it changes if a bundle of more than two wires is used.

Nominal sectional area mm ²	No. of strands/ strand diameter	Outside diameter of finished wiring mm	Allowable current Amps/ 40°C (104°F)
0.3	7/0.26	1.8	7
0.5	7/0.32	2.2 (or 2.0)	12
0.75	30/0.18	2.6 (or 2.4)	16
0.85	11/0.32	2.4 (or 2.2)	16
1.25	16/0.32	2.7 (or 2.5)	21
2	26/0.32	3.1 (or 2.9)	28
3	41/0.32	3.8 (or 3.6)	38
5	65/0.32	4.6 (or 4.4)	51
8	50/0.45	5.5	67

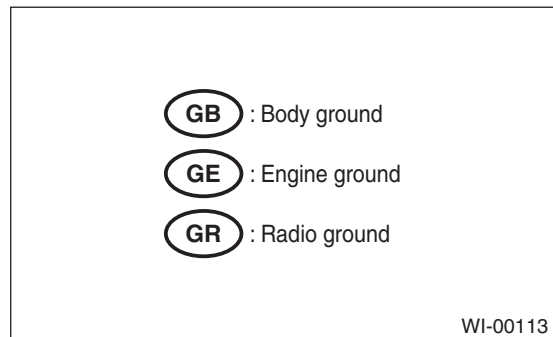
- Each unit is either directly grounded to the body or indirectly grounds through a harness ground terminal. Different symbols are used in the wiring diagram to identify the two grounding systems.



- The ground points shown in the wiring diagram refer to the following:

NOTE:

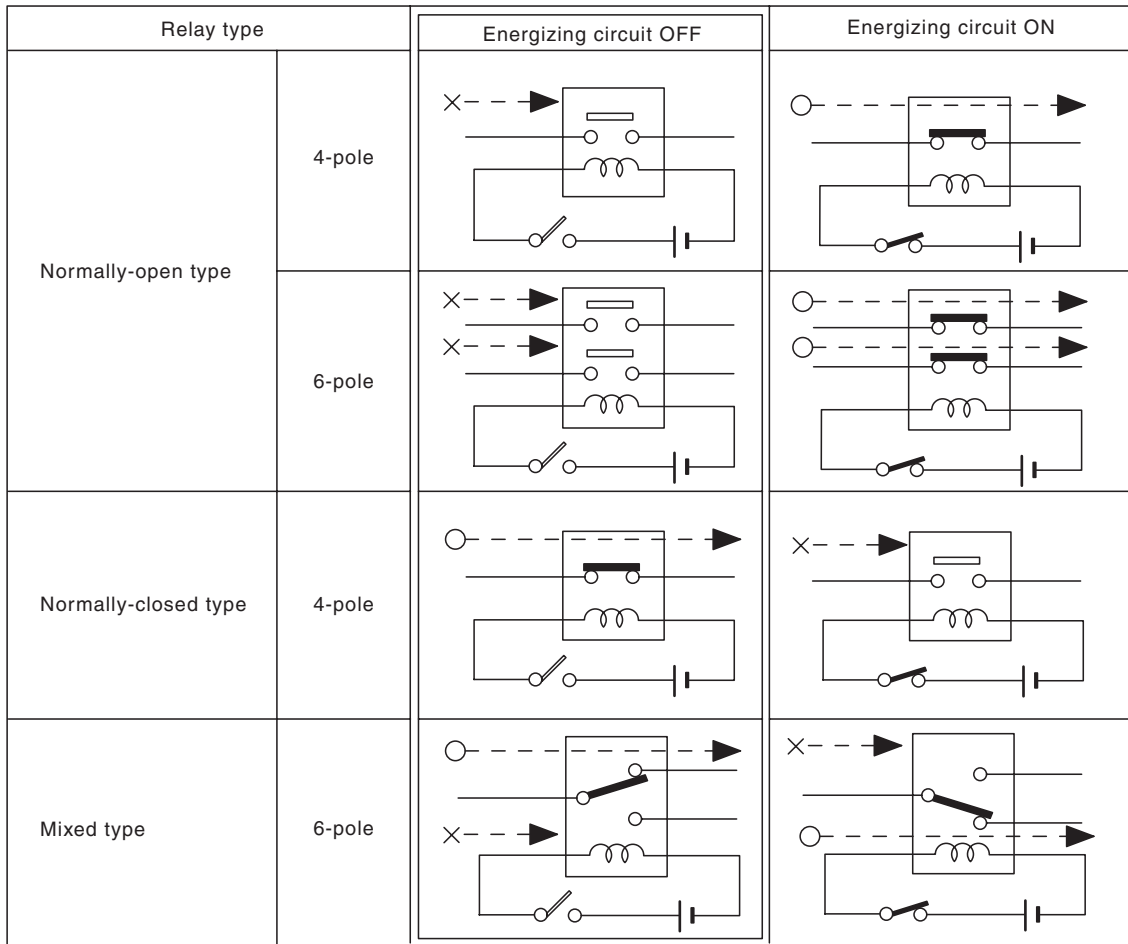
All wiring harnesses are provided with a ground point which should be securely connected.



Basic Diagnostic Procedure

WIRING SYSTEM

- Relays are classified as normally-open or normally-closed.
- The normally-closed relay has one or more contacts. The wiring diagram shows the relay mode when energizing circuit is OFF.



Key to symbols:

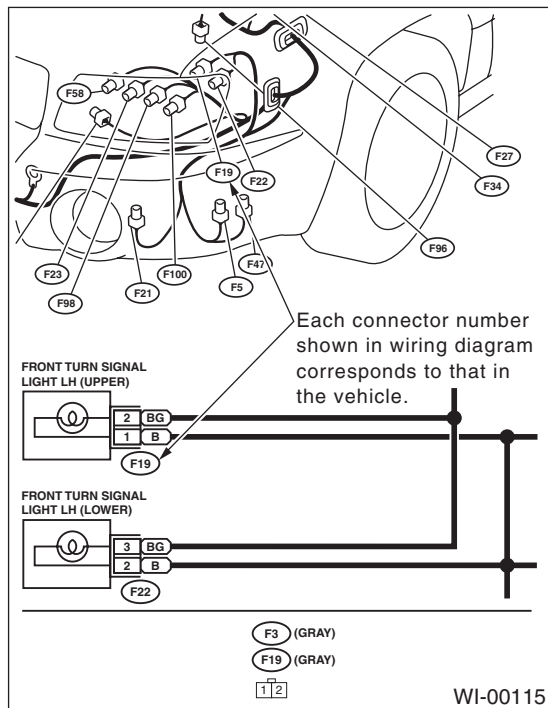
○ —▶ : Current flows.

× —▶ : Current does not flow.

WI-00114

- Each connector number shown in the wiring diagram corresponds to that in wiring harness. The location of each connector in actual vehicle is determined by reading the first character of the connector (for example, a “F” for F8, “i” for i16, etc.) and type of wiring harness. The first character of each connector number refers to the area or system of the vehicle.

Symbol	Wiring harness and cord
F	Front wiring harness
B	Bulkhead wiring harness
E	Engine wiring harness
T	Transmission cord, Rear oxygen sensor cord
D	Door cord LH & RH, Rear door cord LH & RH, Rear gate cord
i	Instrument panel wiring harness
R	Rear wiring harness, Fuel tank cord, Roof cord
AB	Airbag wiring harness

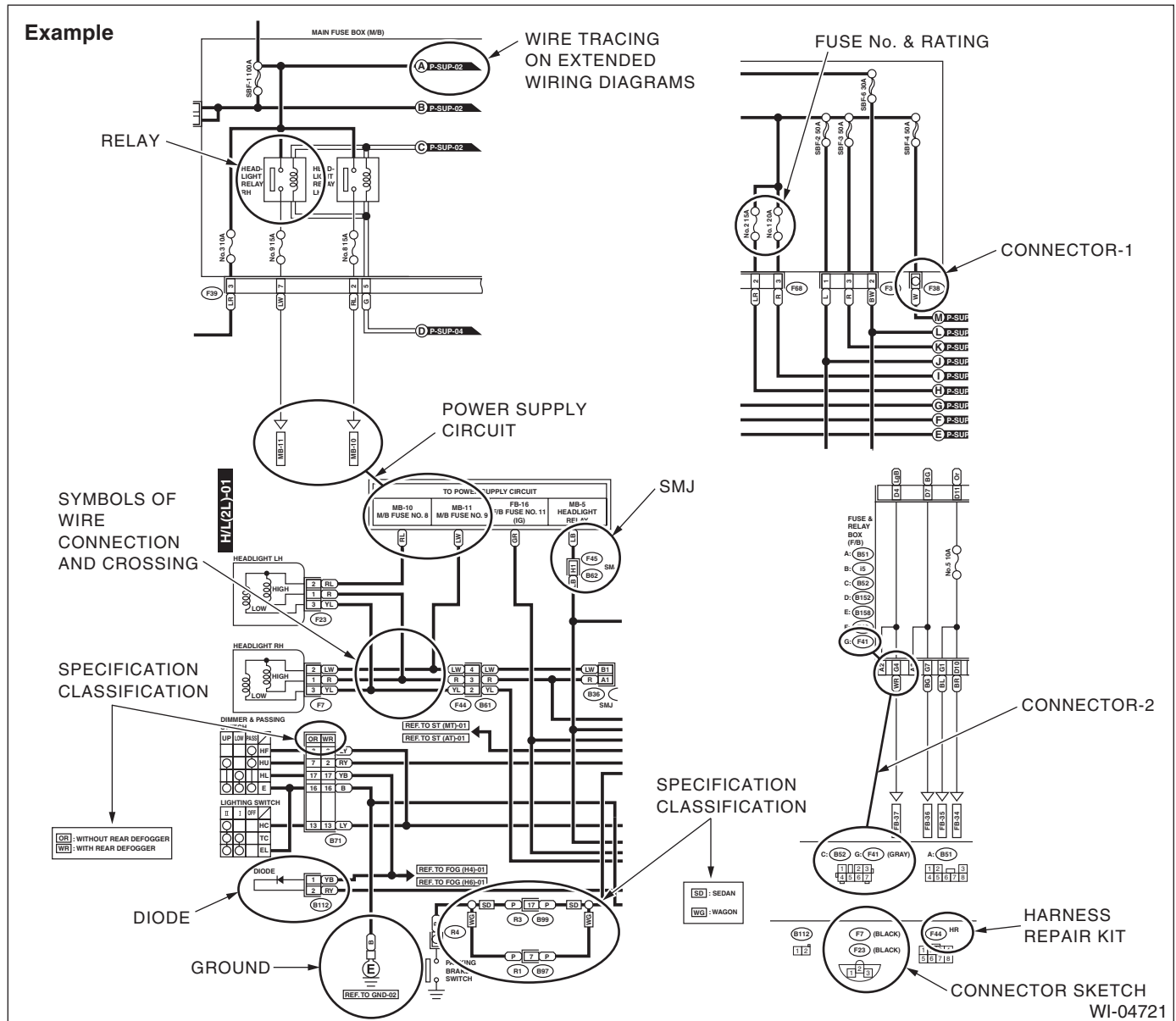


Basic Diagnostic Procedure

WIRING SYSTEM

D: SYMBOLS IN WIRING DIAGRAMS

A number of symbols are used in each wiring diagram to easily identify parts or circuits.



1. RELAY

A symbol used to indicate a relay.

2. CONNECTOR-1

The sketch of the up connector indicates one-pole types.

3. WIRING CONNECTION

Some wiring diagrams are indicated in foldouts for convenience. Wiring destinations are indicated where necessary by corresponding symbols. (When two pages are needed for clear indication)

4. FUSE No. & RATING

The "FUSE No. & RATING" corresponds with that used in fuse box (main fuse box, fuse and joint box).

5. CONNECTOR-2

- Each connector is indicated by a symbol.
- Each terminal number is indicated in the corresponding wiring diagram in an abbreviated form.
- For example, terminal number "G4" refers to No. 4 terminal of connector (G: F41) shown in the connector sketch.

6. CONNECTOR SKETCH

- Each connector sketch clearly identifies the shape and color of a connector as well as terminal locations. Non-colored connectors are indicated in natural color.
- When more than two types of connector number are indicated in a connector sketch, it means that the same type connectors are used.

7. GROUND

Each grounding point can be located easily by referring to the corresponding wiring harness.

8. DIODE

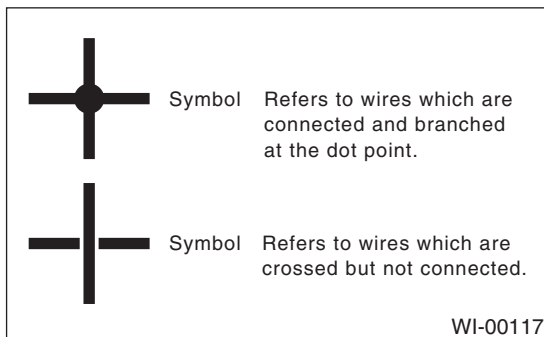
A symbol is used to indicate a diode.

9. WIRE TRACING ON EXTENDED WIRING DIAGRAMS

For a wiring diagram extending over at least two pages, a symbol (consisting of the same characters with arrows), facilitates wire tracing from one page to the next.

A ↔ A, B ↔ B

10. SYMBOLS OF WIRE CONNECTION AND CROSSING



11. POWER SUPPLY CIRCUIT

A symbol is used to indicate the power supply in each wiring diagram.

“MB-5”, “MB-6”, etc., which are used as power-supply symbols throughout the text, correspond with those shown in POWER SUPPLY CIRCUIT in the wiring diagram.

Accordingly, using the POWER SUPPLY CIRCUIT and wiring diagrams permits service personnel to understand the entire electrical arrangement of a system.

12. CLASSIFICATION BY SPECIFICATION

When the wiring diagrams differ according to vehicle specifications, the specification difference is described by using abbreviations.

13. HARNESS REPAIR KIT

The connector adapting to Harness repair kit is shown as “HR” in the right-upper of connector number.

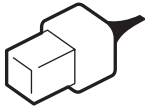
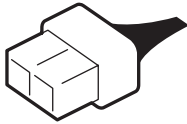
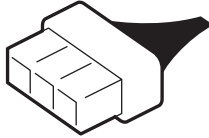


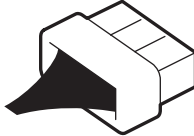
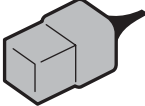
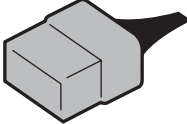
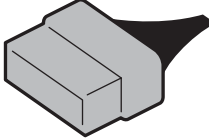


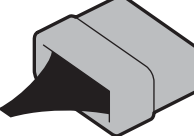
Refer to “Harness Repair Kit” for harness repair kit. <Ref. to WI-203, SPECIFICATION, Harness Repair Kit.>

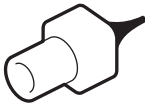




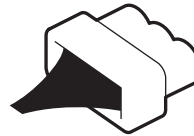
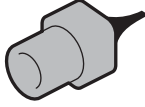


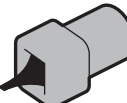

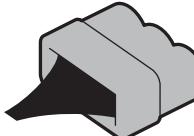
Basic Diagnostic Procedure

WIRING SYSTEM

E: CONNECTOR SYMBOL IN WIRING HARNESS

A number of connector symbols are used in each wiring diagram to easily identify the wiring harness connectors.

Standard type: Female		
Pole: From 1 to 8	Pole: From 9 to 20	Pole: More than 21
		
		
Standard type: Male		
		
		

Water proof type: Female		
Pole: From 1 to 8	Pole: From 9 to 20	Pole: More than 21
		
		
Water proof type: Male		
		
		

Basic Diagnostic Procedure

WIRING SYSTEM

F: ABBREVIATION IN WIRING DIAGRAMS

Abbreviation	Full name
ABS	Antilock Brake System
ACC	Accessory
A/C	Air Conditioning
AD	Auto Down
AT	Automatic Transmission
AU	Auto Up
+B	Battery
DN	Down
E	Ground
F/B	Fuse & Joint Box
FL1.5	Fusible link 1.5 mm ²
IG	Ignition
Illumi.	Illumination
LH	Left Hand
Lo	Low
M	Motor
M/B	Main Fuse Box
MG	Magnet
Mi	Middle
OP	Optional Parts
PASS	Passing
RH	Right Hand
SBF	Slow Blow Fuse
ST	Starter
SW	Switch
UP	Up
WASH	Washer

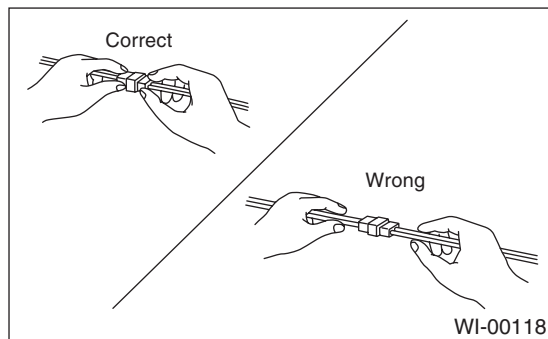
2. Working Precautions

A: PRECAUTIONS WHEN WORKING WITH THE PARTS MOUNTED ON THE VEHICLE

- 1) When working under a vehicle which is jacked-up, always be sure to use rigid racks.
- 2) The parking brake must always be applied during working. Also, in automatic transmission models, keep the select lever set to P (Parking) range.
- 3) Be sure the workshop is properly ventilated when running the engine. Further, be careful not to touch the belt or fan while the engine is operating.
- 4) Be careful not to touch hot metal parts, especially the radiator and exhaust system immediately after the engine has been turned off.

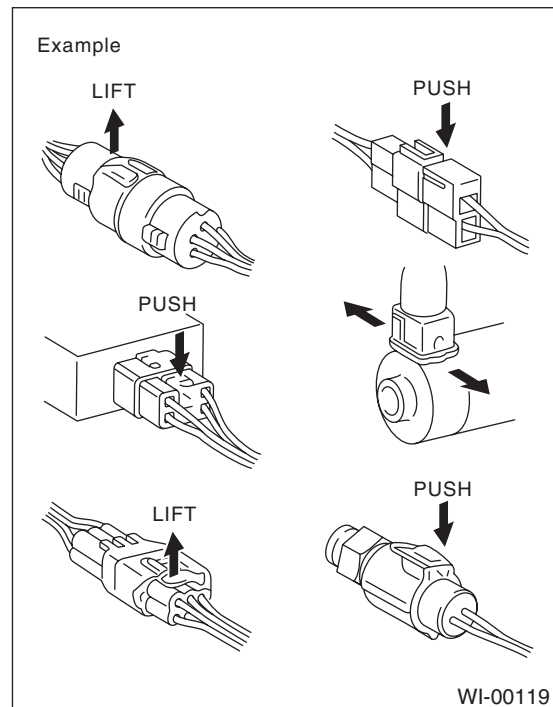
B: PRECAUTIONS IN TROUBLE DIAGNOSIS AND REPAIR OF ELECTRIC PARTS

- 1) The battery cable must be disconnected from battery's (-) terminal, and the ignition switch must be set to OFF position, unless otherwise required by the diagnostics.
- 2) Securely fasten the wiring harness with clamps and slips so that the harness does not interfere with body end parts or edges and bolts or screws.
- 3) When installing the parts, be careful not to catch them on the wiring harness.
- 4) When disconnecting a connector, do not pull the wires, but pull while holding the connector body.



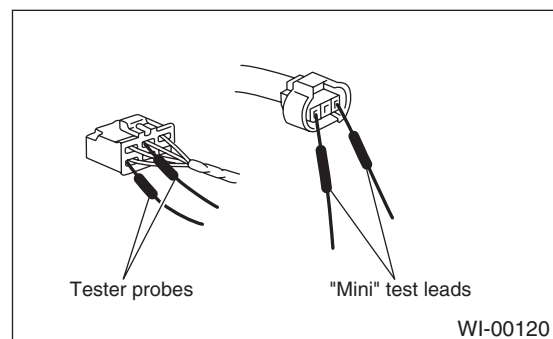
- 5) Some connectors are provided with a lock. One type of such a connector is disconnected by pushing the lock, and the other, by moving the lock up. In either type the lock shape must be identified before attempting to disconnect the connector.

To connect, insert the connector until it snaps and confirm that it is tightly connected.



- 6) When checking continuity between connector terminals, or measuring the voltage across the terminal and ground, always contact tester probe(s) on terminals from the wiring connection side. If the probe is too thick to gain access to the terminal, use "mini" test leads.

To check water-proof connectors (which are not measurable from the wiring side), contact test probes on the terminal side. Be careful not to bend or damage terminals.



- 7) Sensors, relays, electrical unit, etc., are sensitive to strong impacts. Handle them with care so that they are not dropped or mishandled.

Power Supply Circuit

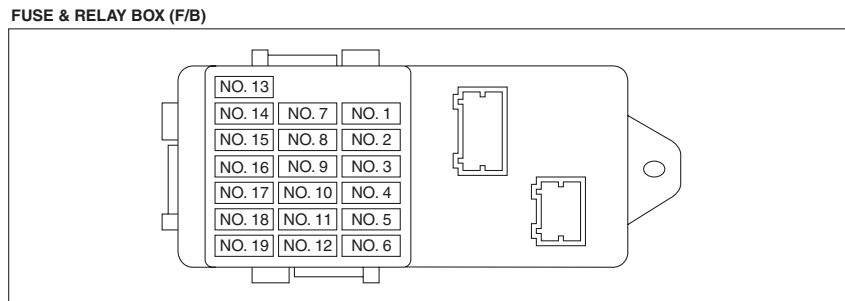
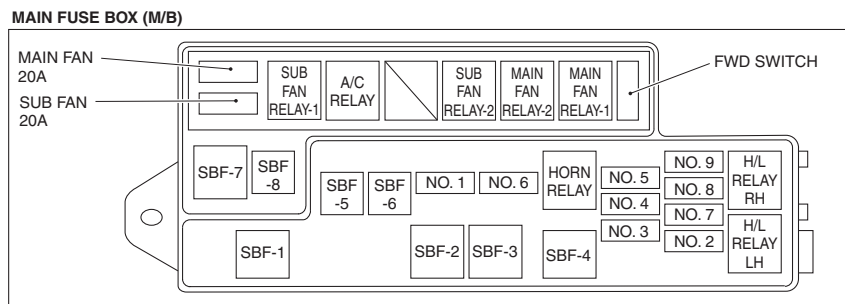
WIRING SYSTEM

3. Power Supply Circuit

A: WIRING DIAGRAM

P-SUP-01

P-SUP-01



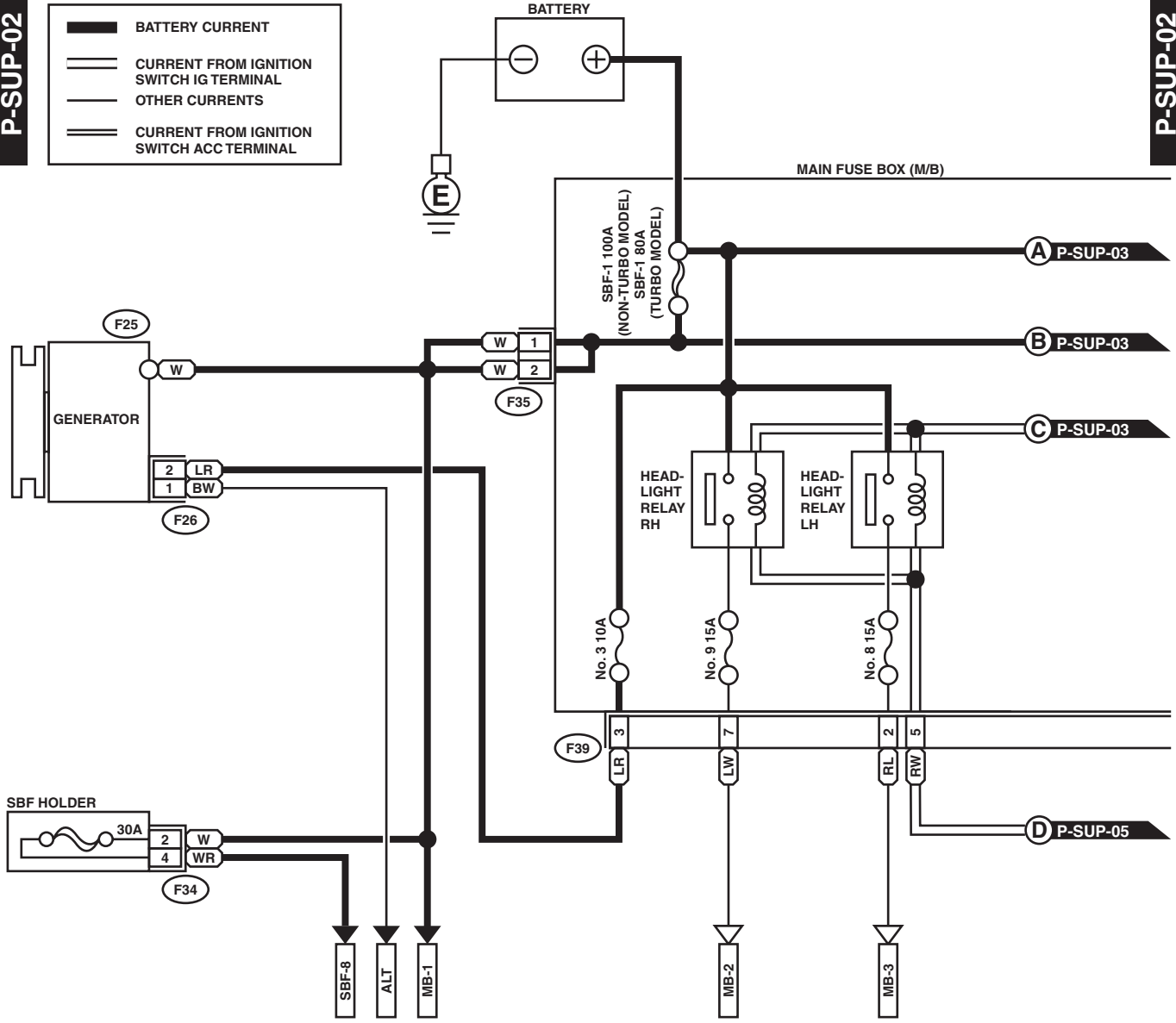
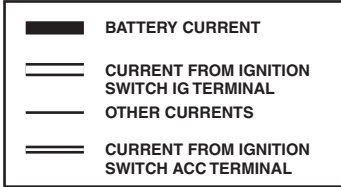
WI-02167

Power Supply Circuit

WIRING SYSTEM

P-SUP-02

P-SUP-02



F35 (BLACK)



F26 (GREEN)



F34 (BLACK)



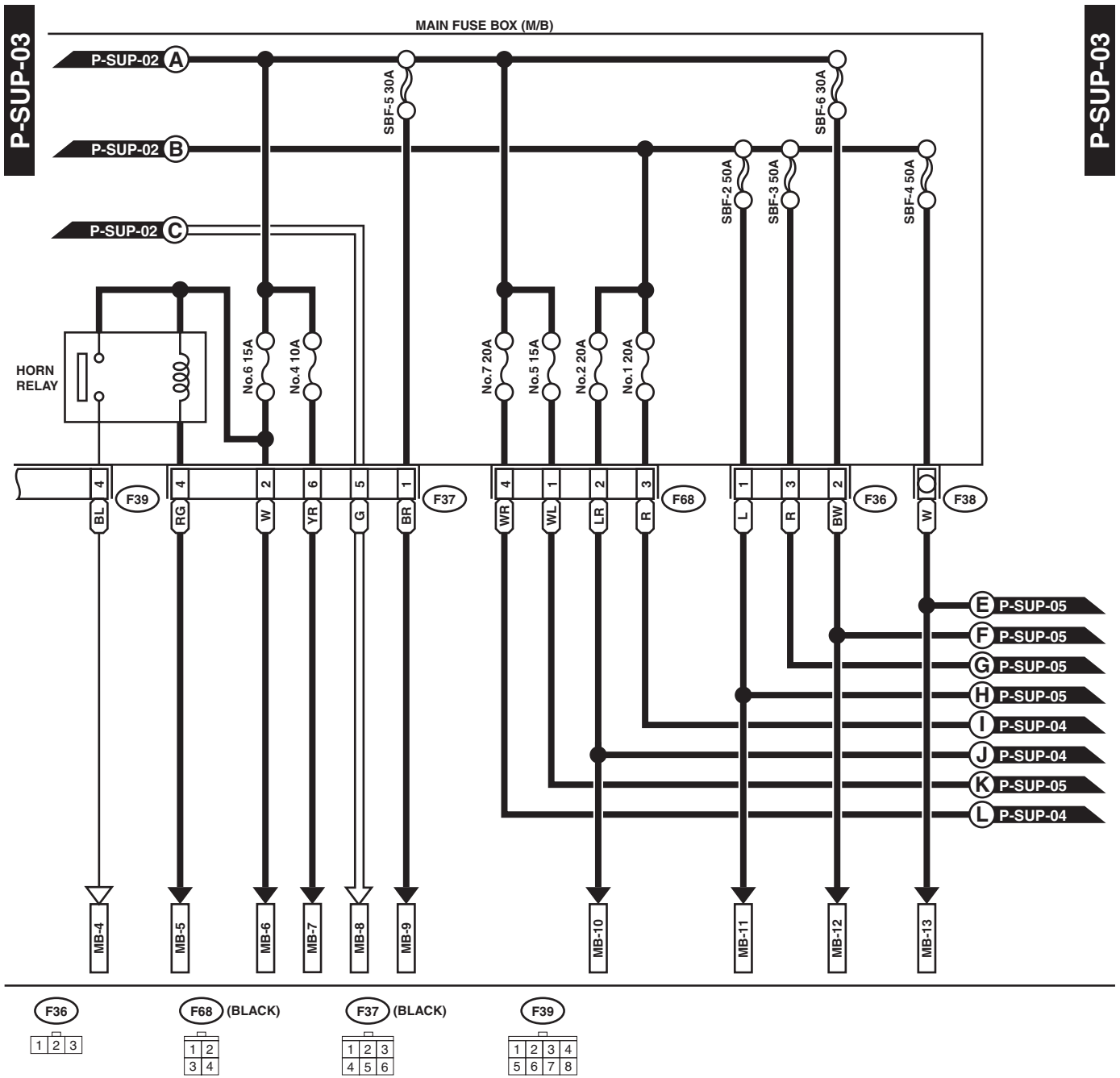
F39



WI-05511

Power Supply Circuit

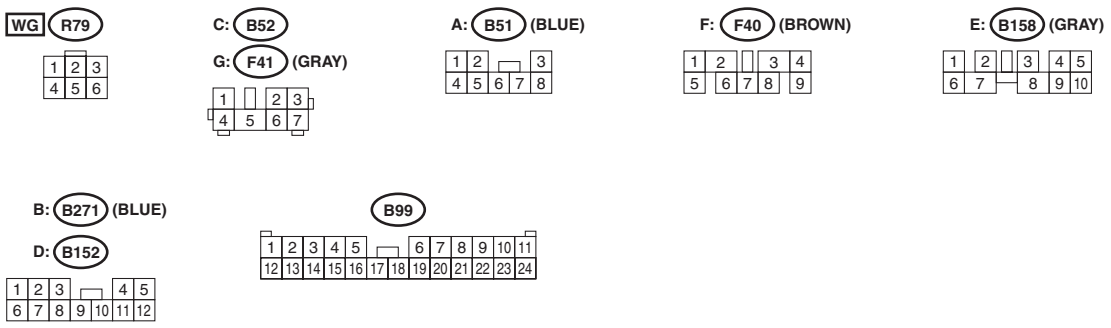
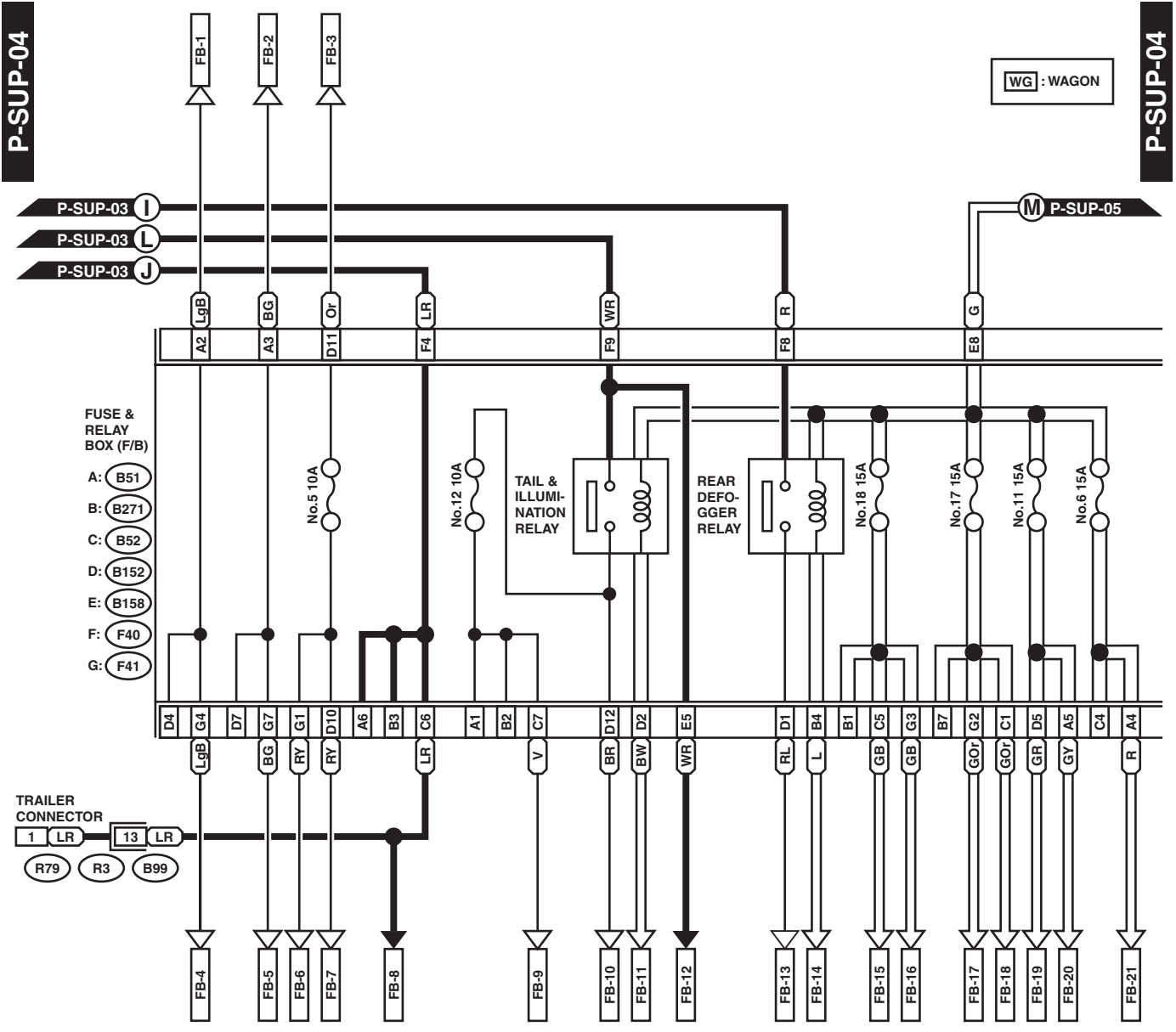
WIRING SYSTEM



WI-05629

Power Supply Circuit

WIRING SYSTEM



WI-05630

Power Supply Circuit

WIRING SYSTEM

No.	Load
MB-1	A/C relay holder (Fuse)
MB-2	Combination meter Headlight RH Front fog light relay (Model with HID) Front fog light switch (Model with HID)
MB-3	Headlight LH
MB-4	Horn
MB-5	Cruise control sub switch Horn switch Keyless entry control module Security horn relay
MB-6	Hazard switch Ignition starter and steering lock assembly Keyless entry control module
MB-7	TCM Driver's control center differential relay Driver's control center differential control module
MB-8	Daytime running light control module Diode (Daytime running light) Combination switch (Model with HID)
MB-9	Data link connector ECM Fuel pump relay Main relay Electronic throttle control relay Immobilizer control module
MB-10	Keyless buzzer
MB-11	Fuse (Seat heater)
MB-12	Power window circuit breaker
MB-13	Relay holder
SBF-8	ABS control module
IG	Hazard switch Power window relay
ST	Interrupt relay
FB-1	Combination meter Hazard switch Rear turn signal light RH Trailer connector Turn signal switch Keyless entry control module
FB-2	Combination meter Hazard switch Rear turn signal light LH Trailer connector Turn signal switch Keyless entry control module
FB-3	Parking switch
FB-4	Front turn signal light RH
FB-5	Front turn signal light LH
FB-6	Front clearance light LH Front clearance light RH
FB-7	License plate light Rear combination light LH Rear combination light RH Trailer connector

No.	Load
FB-8	Clock Auto A/C control module Combination meter Body integrated unit Ignition starter and steering lock assembly Keyless entry control module Radio Room light Security control module Security horn relay Spot map light
FB-9	Clock Combination meter Illumination light Body integrated unit Headlight leveler switch HID relay
FB-10	Parking switch Immobilizer control module
FB-11	ECM Lighting switch
FB-12	Parking switch
FB-13	Mirror heater relay Rear defogger Rear defogger switch Auto A/C control module
FB-14	Body integrated unit ECM
FB-15	ABS relay Back-up light switch (MT) Check connector Cruise control main switch Cruise control module Daytime running light control module Daytime running light relay High-beam relay Inhibitor switch (AT) Keyless entry control module Security control module Vehicle speed sensor (MT) Wiper deicer relay Wiper deicer timer Stop light and brake switch Clutch switch (MT)
FB-16	ECM Main fan relay (Non-turbo model) Main fan relay-1 (Turbo model) Main fan relay-2 (Turbo model) Headlight leveler LH Headlight leveler RH
FB-17	A/C relay Sub fan relay (Non-turbo model) Sub fan relay-1 (Turbo model) Sub fan relay-2 (Turbo model) A/C pressure switch
FB-18	A/C switch Auto A/C control module Blower fan motor relay Illumination light

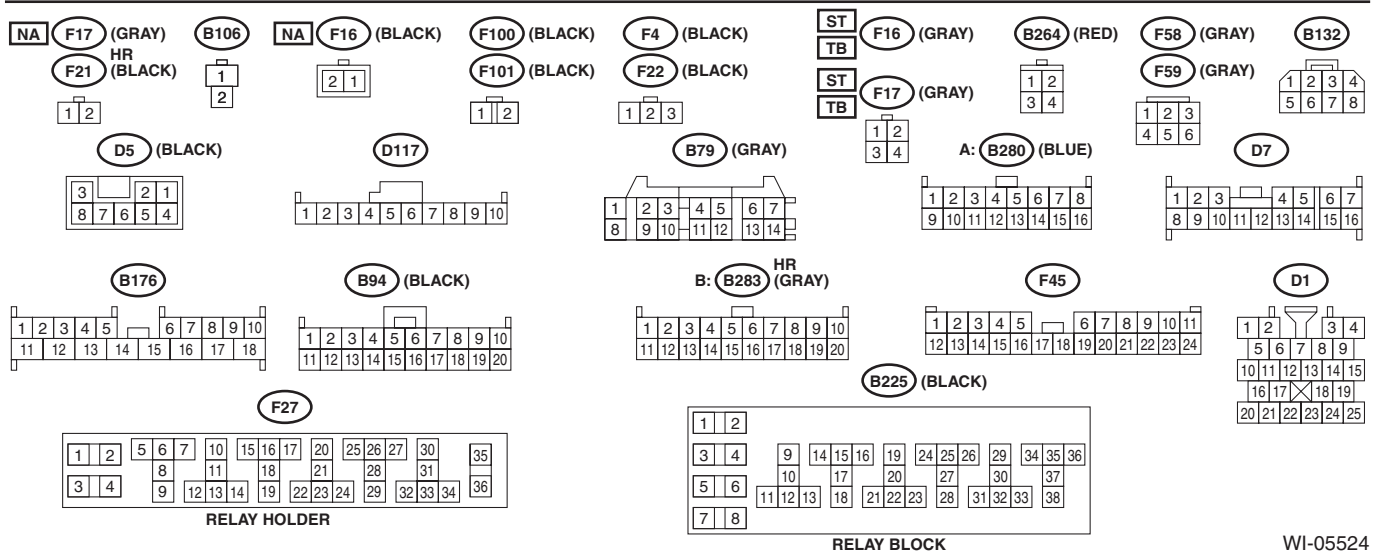
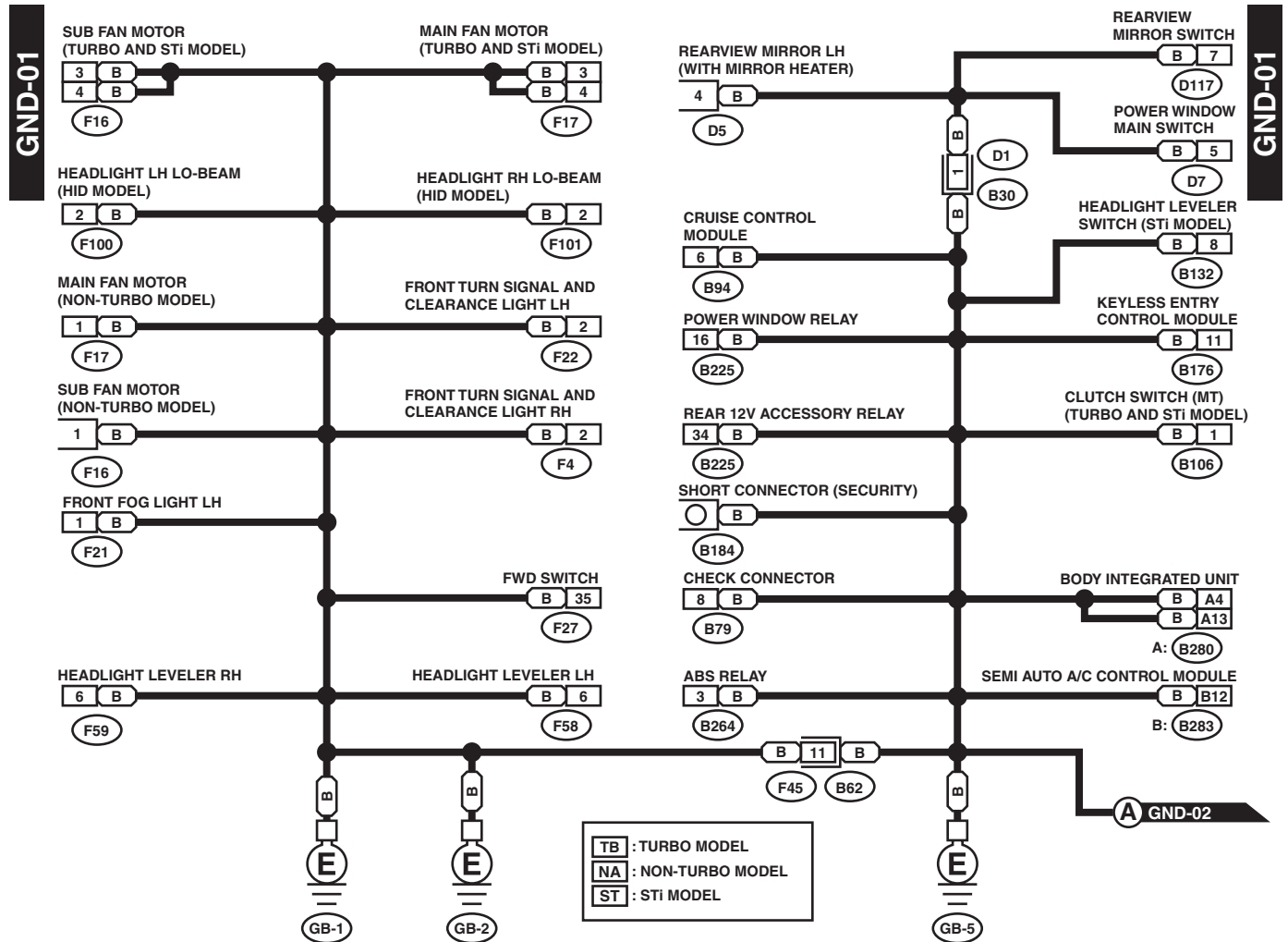
Power Supply Circuit

WIRING SYSTEM

No.	Load
FB-19	ECM Fuel pump relay Ignition coil and ignitor Ignition coil No. 1 Ignition coil No. 2 Ignition coil No. 3 Ignition coil No. 4 Body integrated unit TCM Driver's control center differential control module Driver's control center differential relay
FB-20	Airbag control module
FB-21	Airbag control module
FB-22	Clock Auto A/C control module Radio
FB-23	Rear washer motor
FB-24	Rear wiper intermittent module (Wagon) Rear wiper motor (Wagon)
FB-25	Combination switch Front washer motor Front wiper motor
FB-27	Compass mirror Front accessory power supply socket Body integrated unit TCM Rear 12 V accessory relay Remote control mirror switch Intercooler water spray switch Intercooler water spray timer
FB-28	Mirror heater relay Wiper deicer relay
FB-29	Stop light switch
FB-30	ABS control module
FB-31	Front fog light relay
FB-32	Blower fan motor relay
FB-33	Body integrated unit
FB-34	Combination meter

4. Ground Circuit

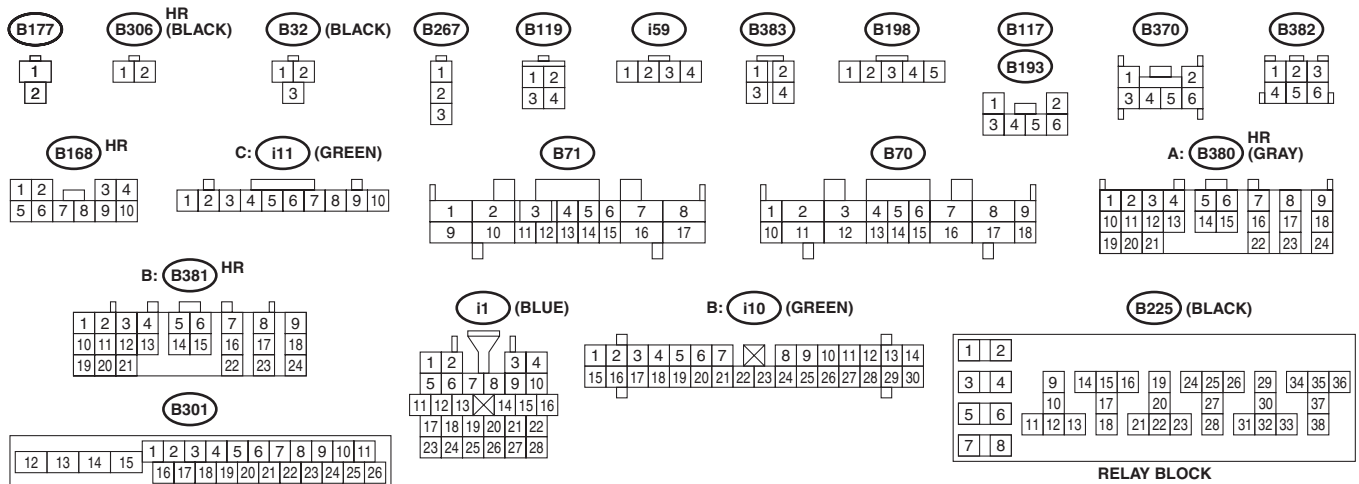
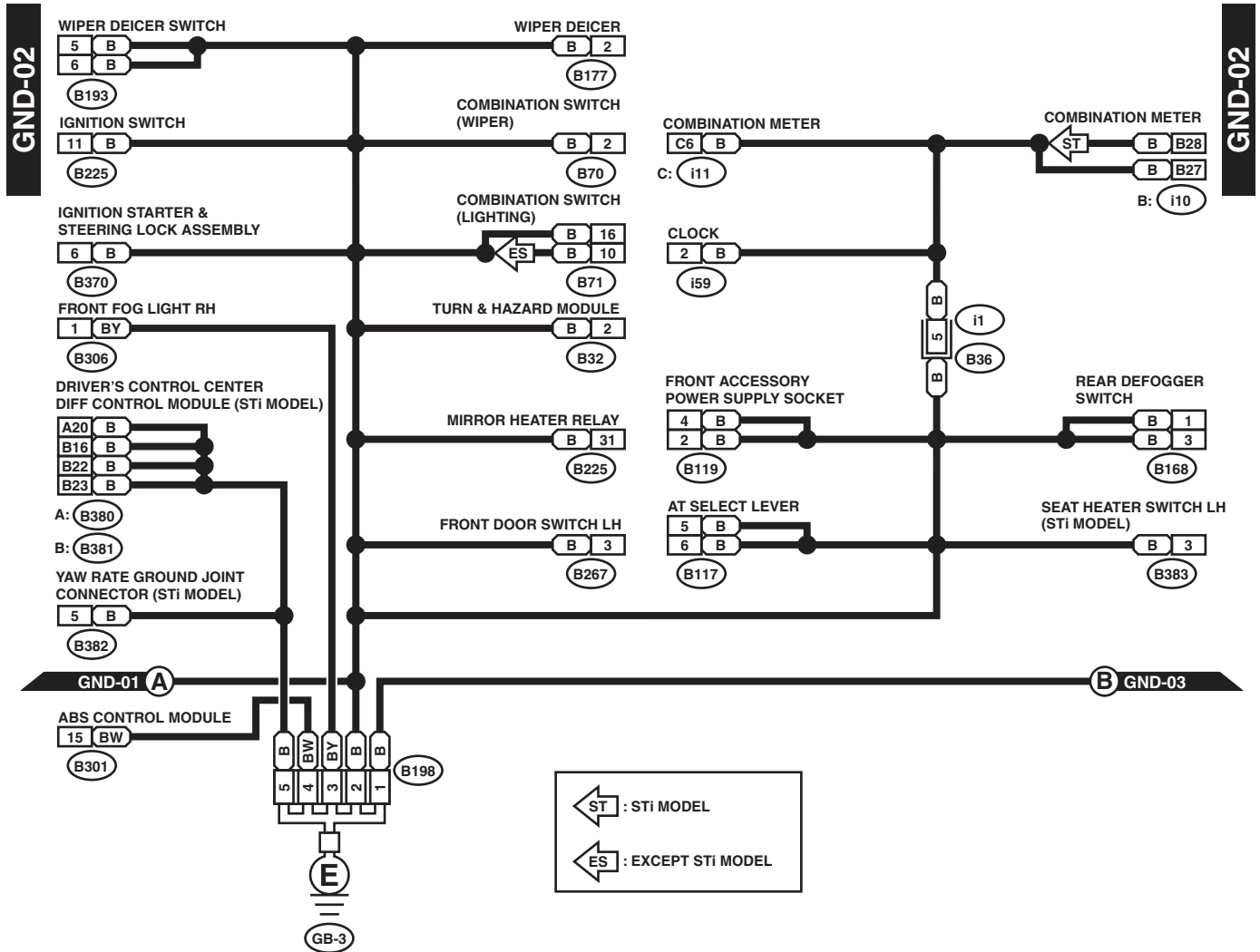
A: WIRING DIAGRAM



WI-05524

Ground Circuit

WIRING SYSTEM

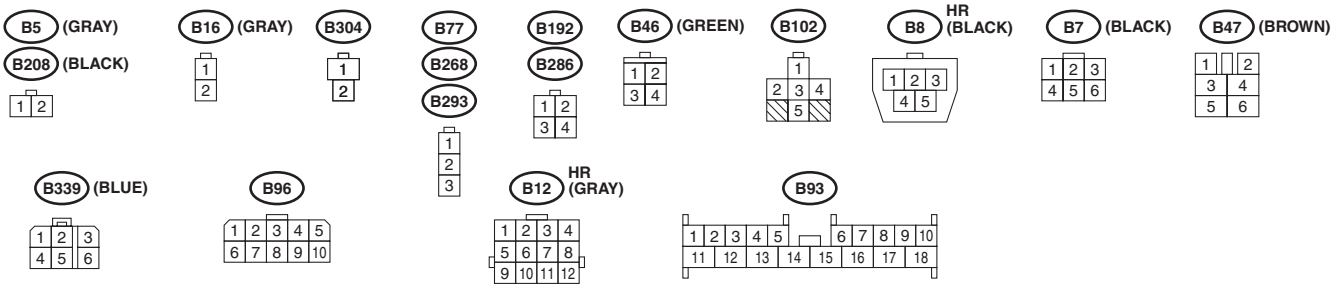
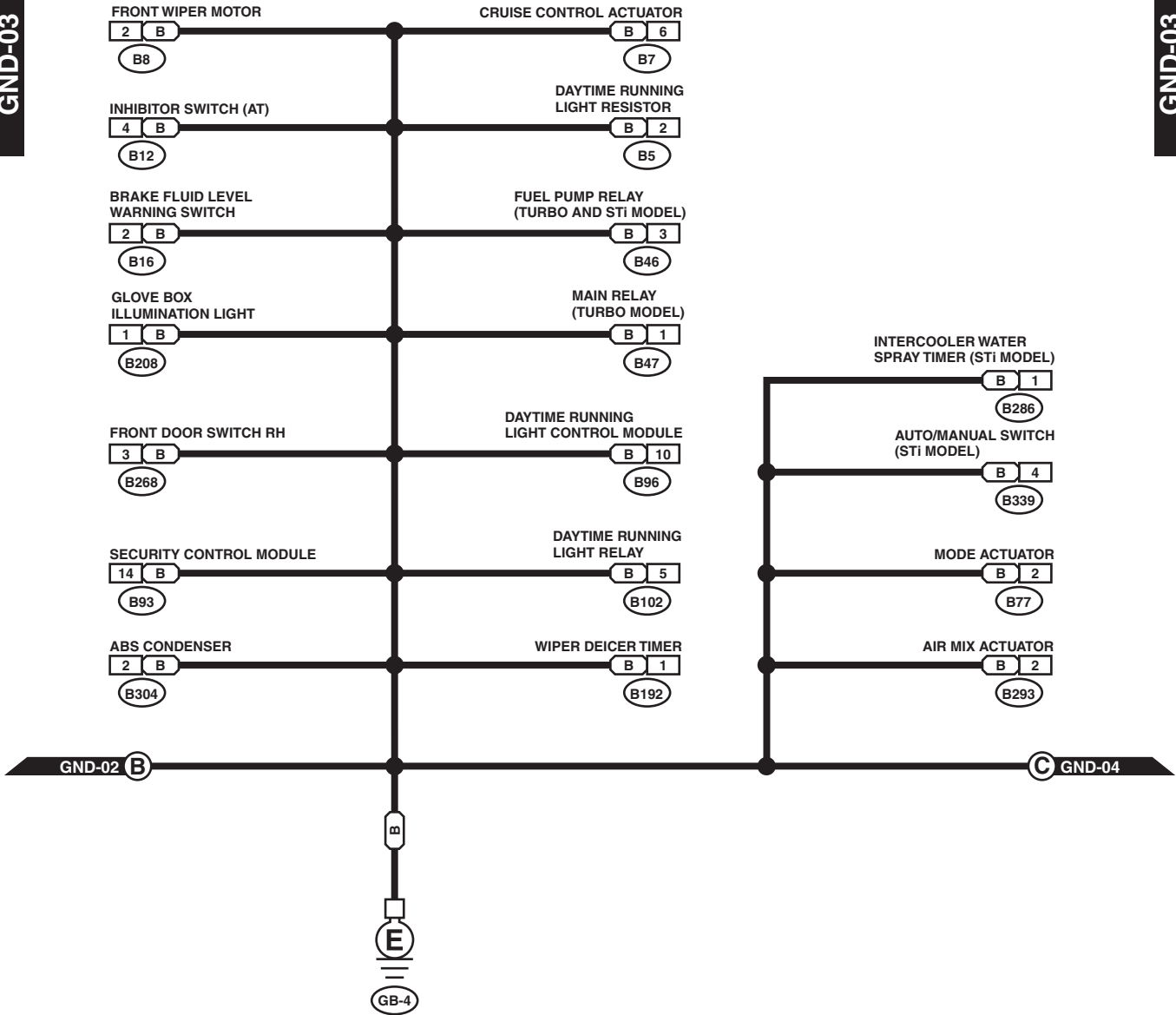


WI-05525

Ground Circuit

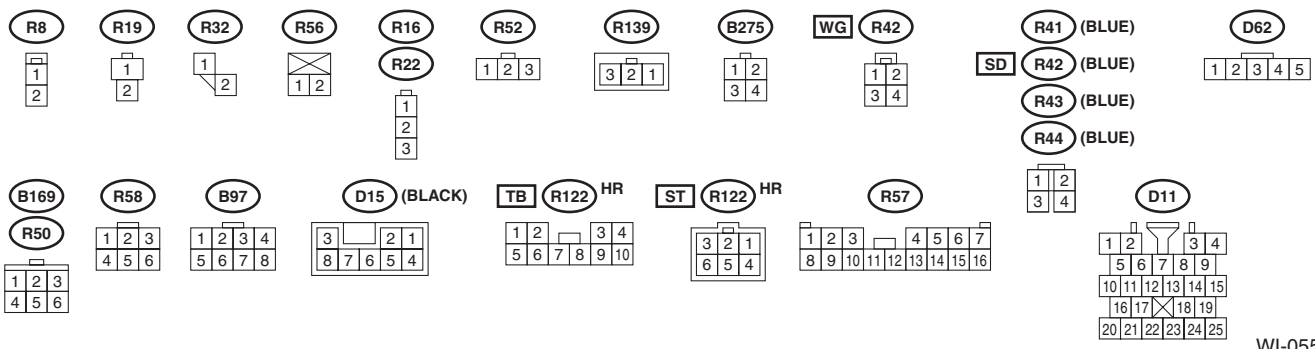
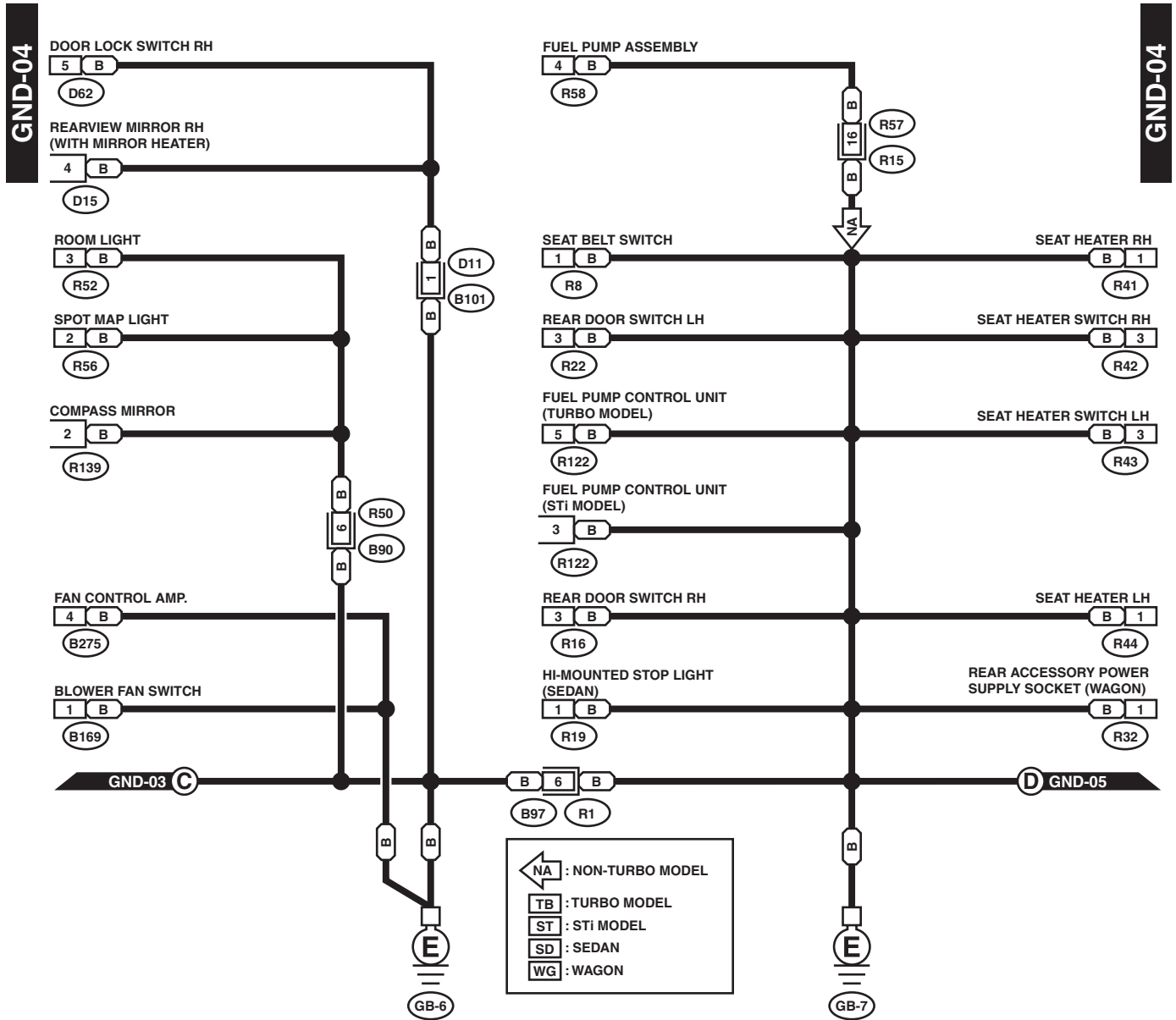
GND-03

GND-03



Ground Circuit

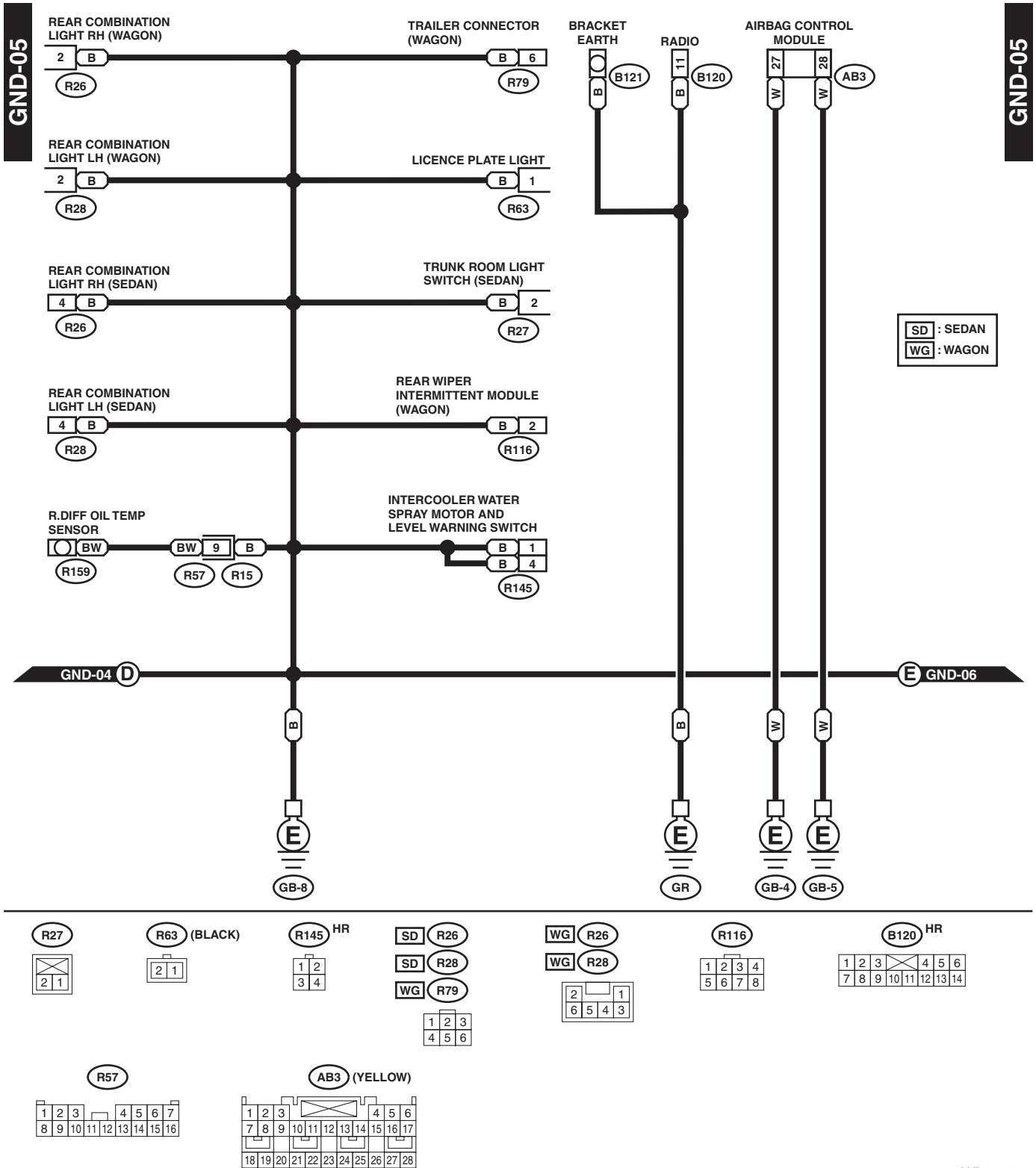
WIRING SYSTEM



WI-05527

Ground Circuit

WIRING SYSTEM



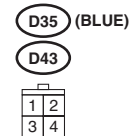
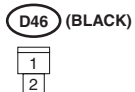
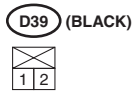
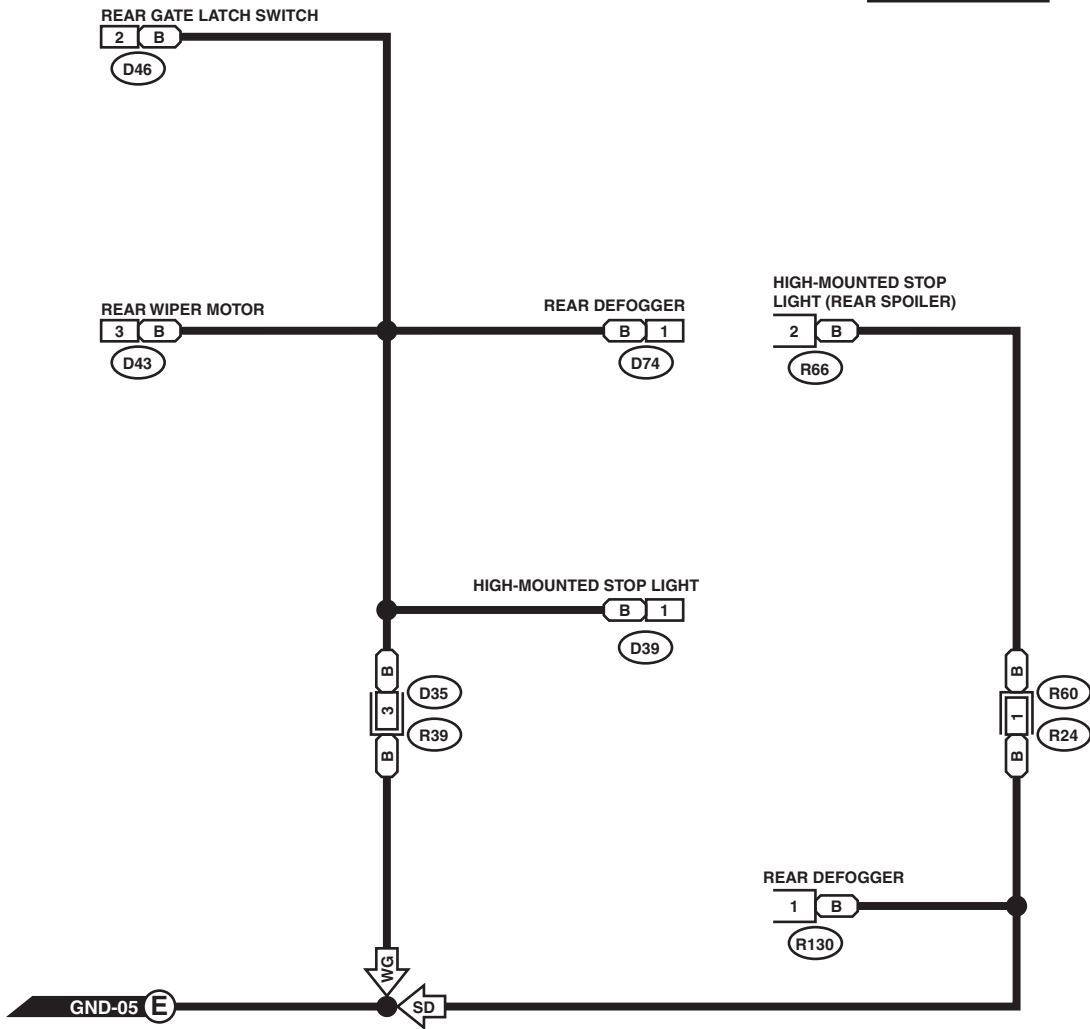
WI-05528

Ground Circuit

WIRING SYSTEM

GND-06

GND-06

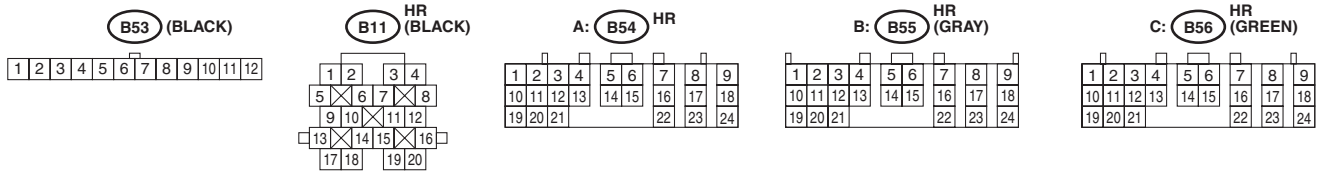
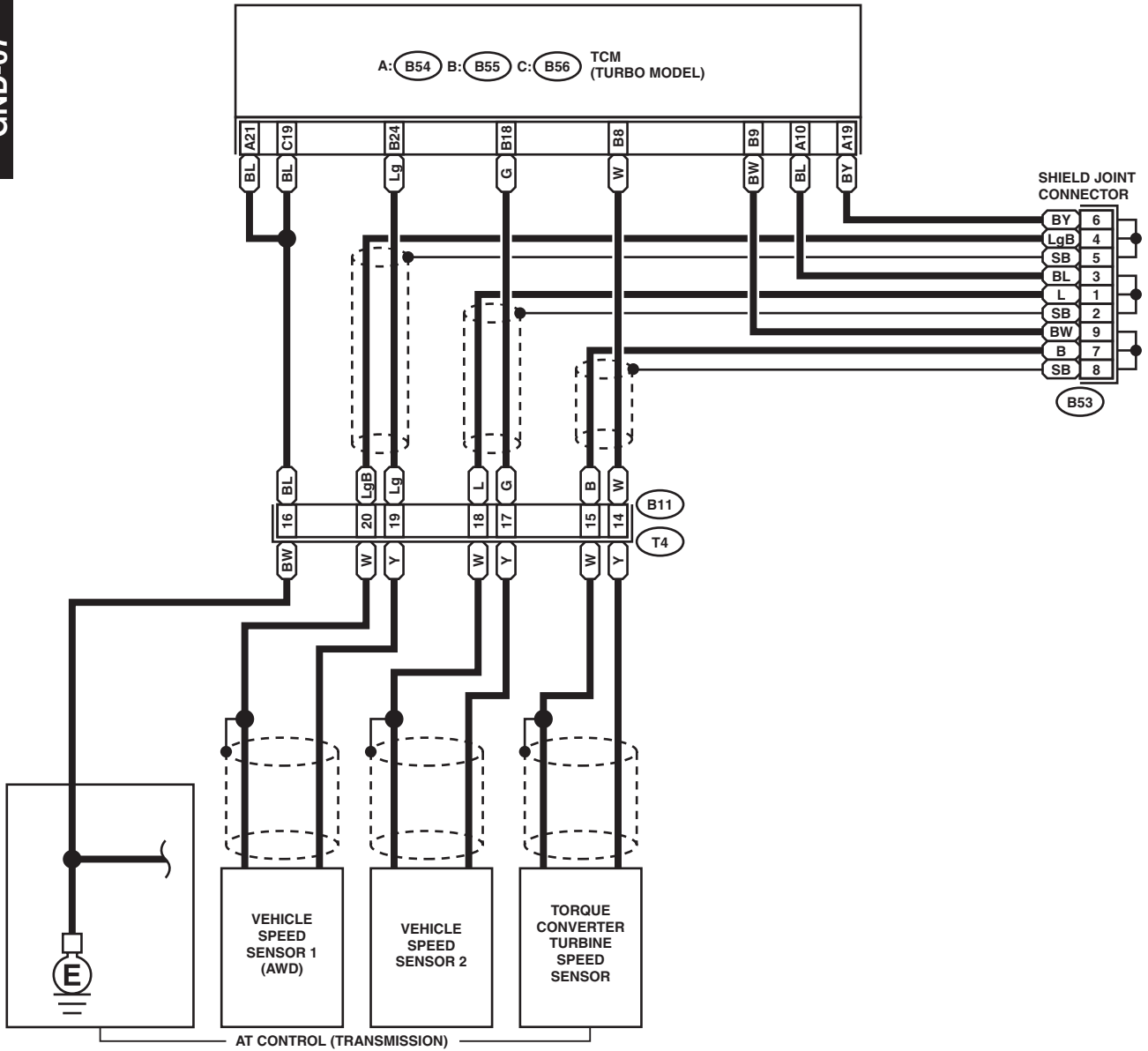


WI-05529

Ground Circuit

GND-07

GND-07

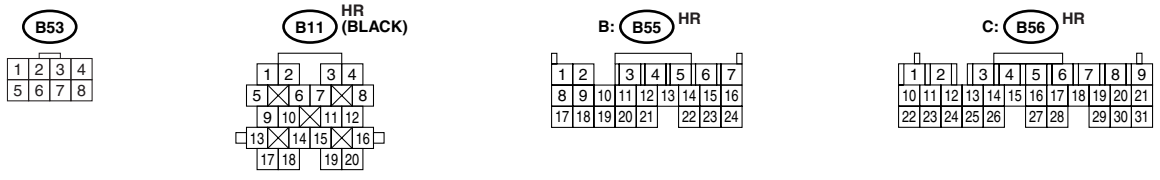
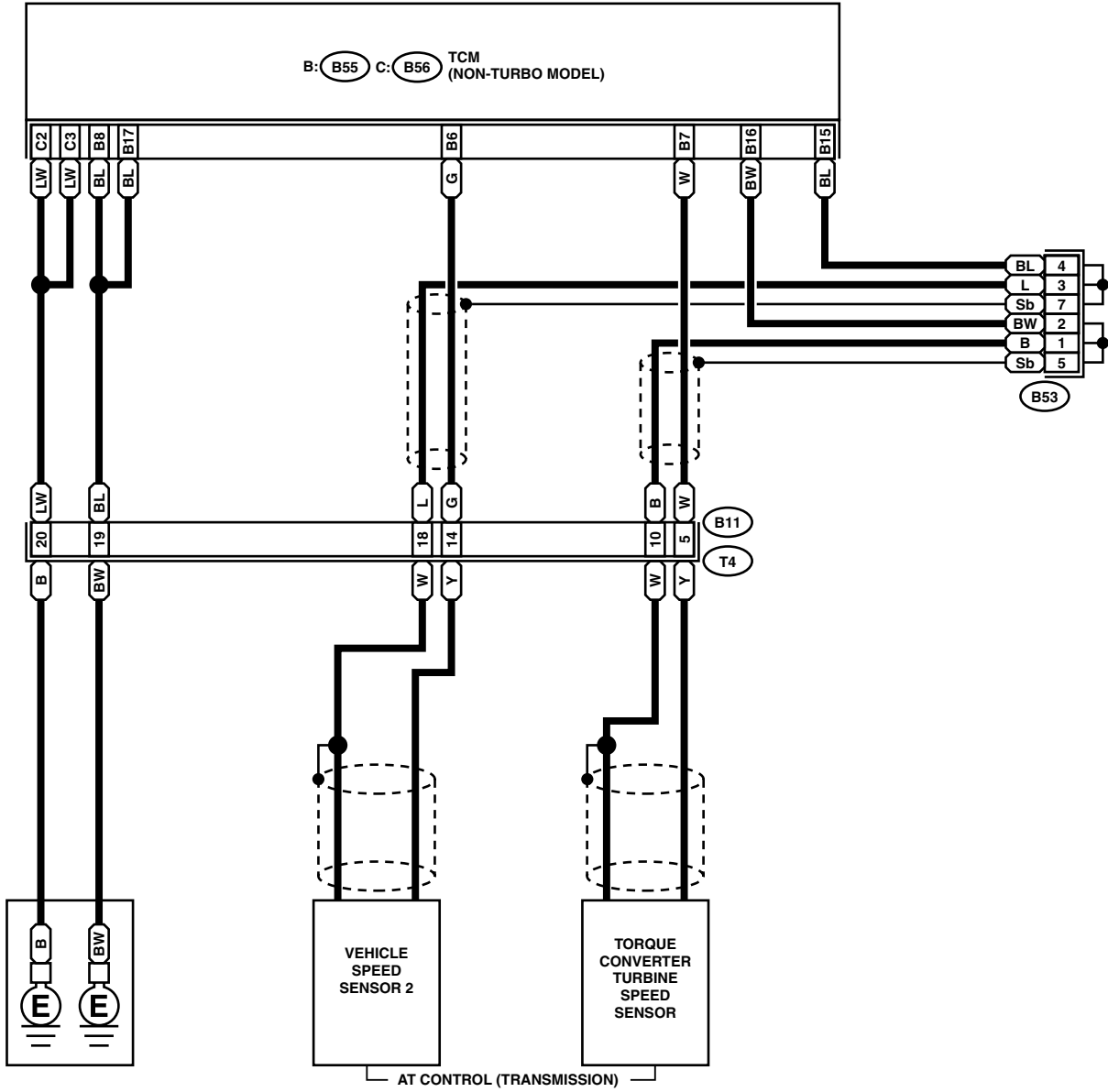


Ground Circuit

WIRING SYSTEM

GND-08

GND-08



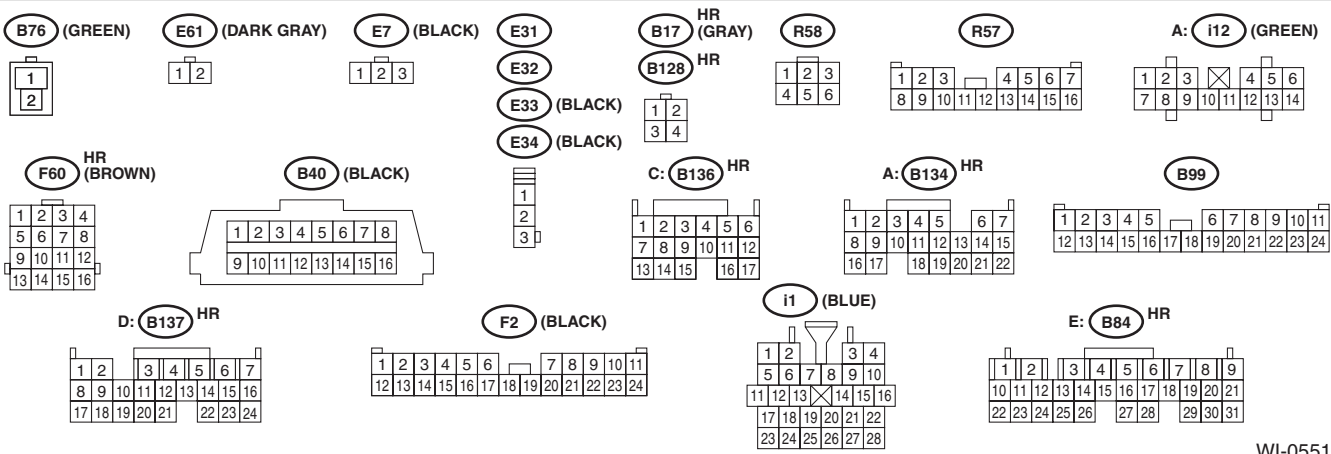
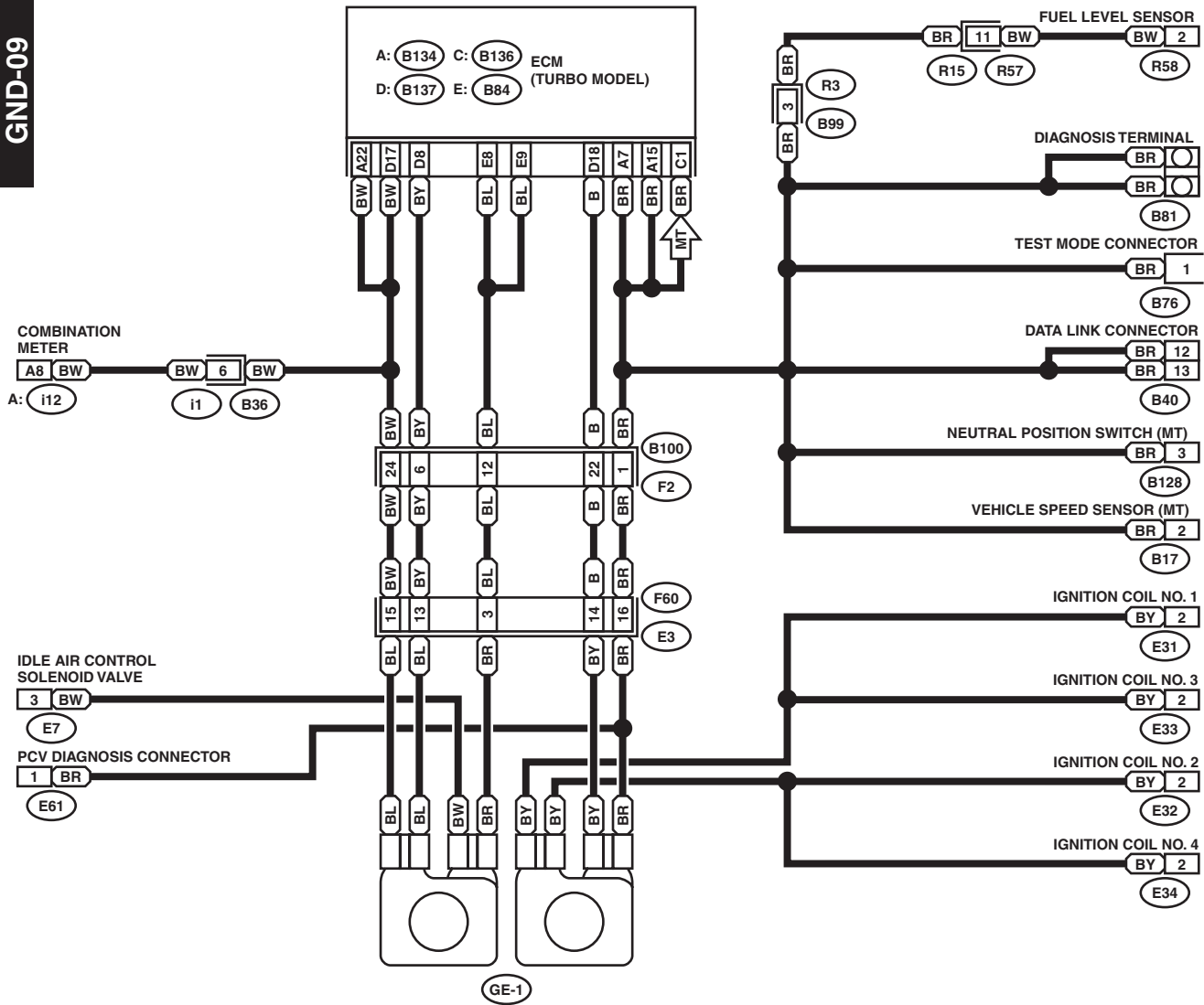
WI-05530

Ground Circuit

WIRING SYSTEM

GND-09

GND-09



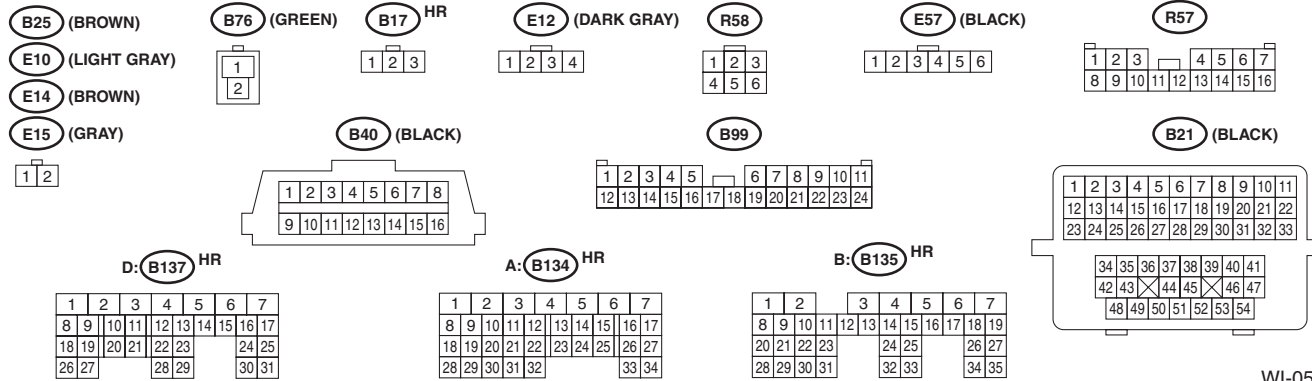
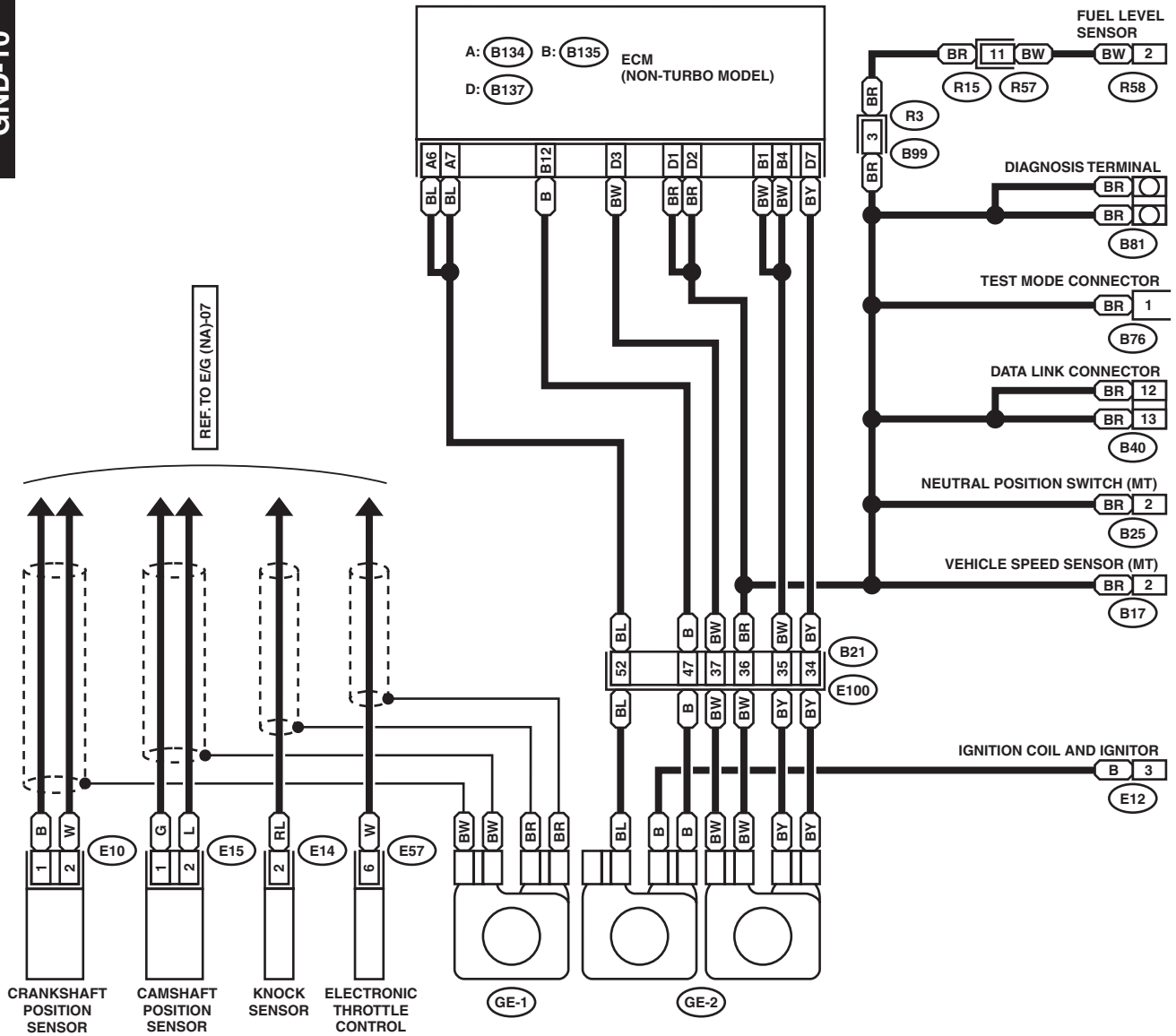
WI-05513

Ground Circuit

WIRING SYSTEM

GND-10

GND-10

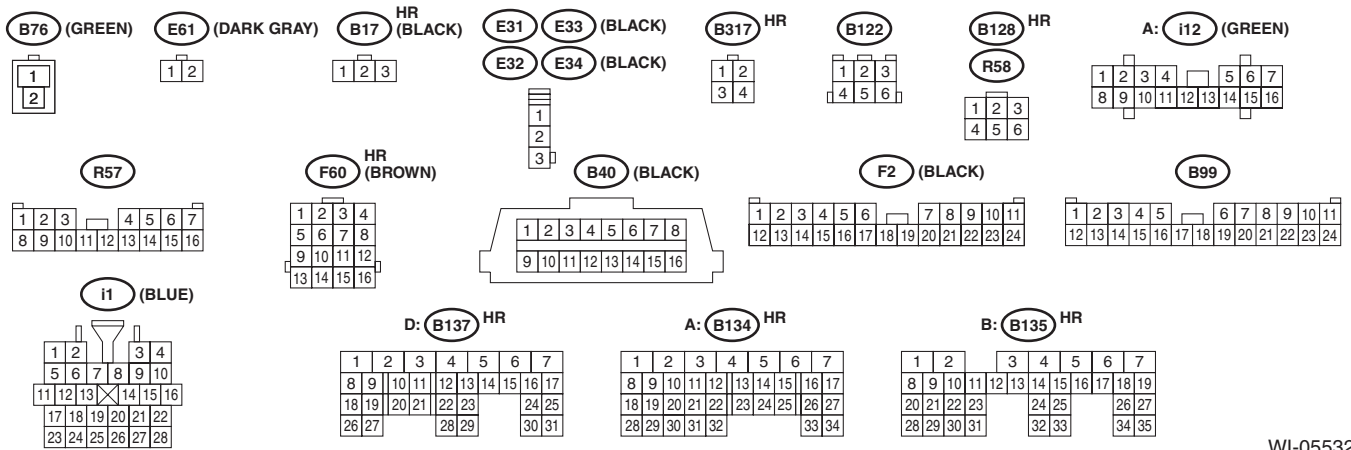
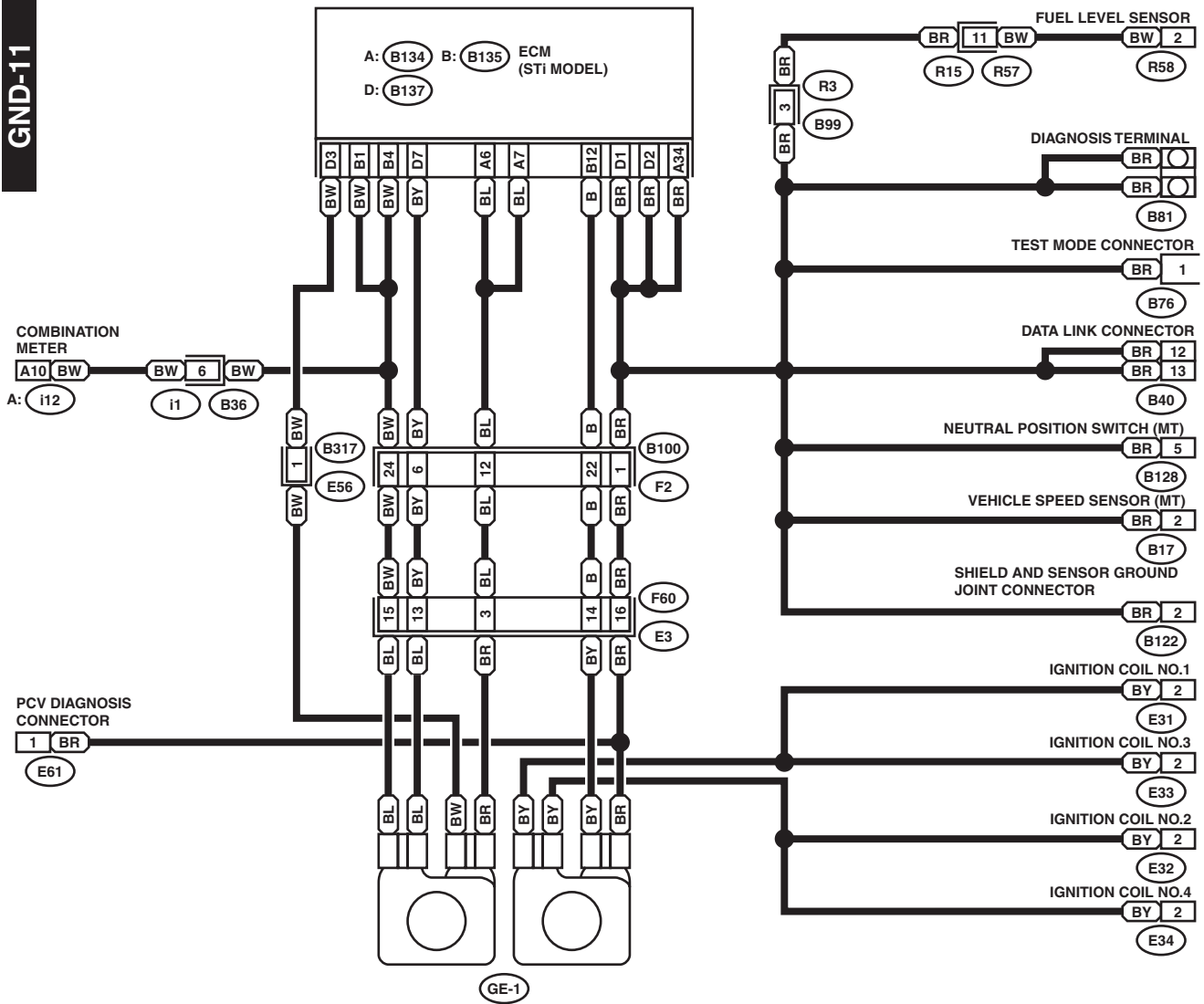


WI-05531

Ground Circuit

GND-11

GND-11



WI-05532

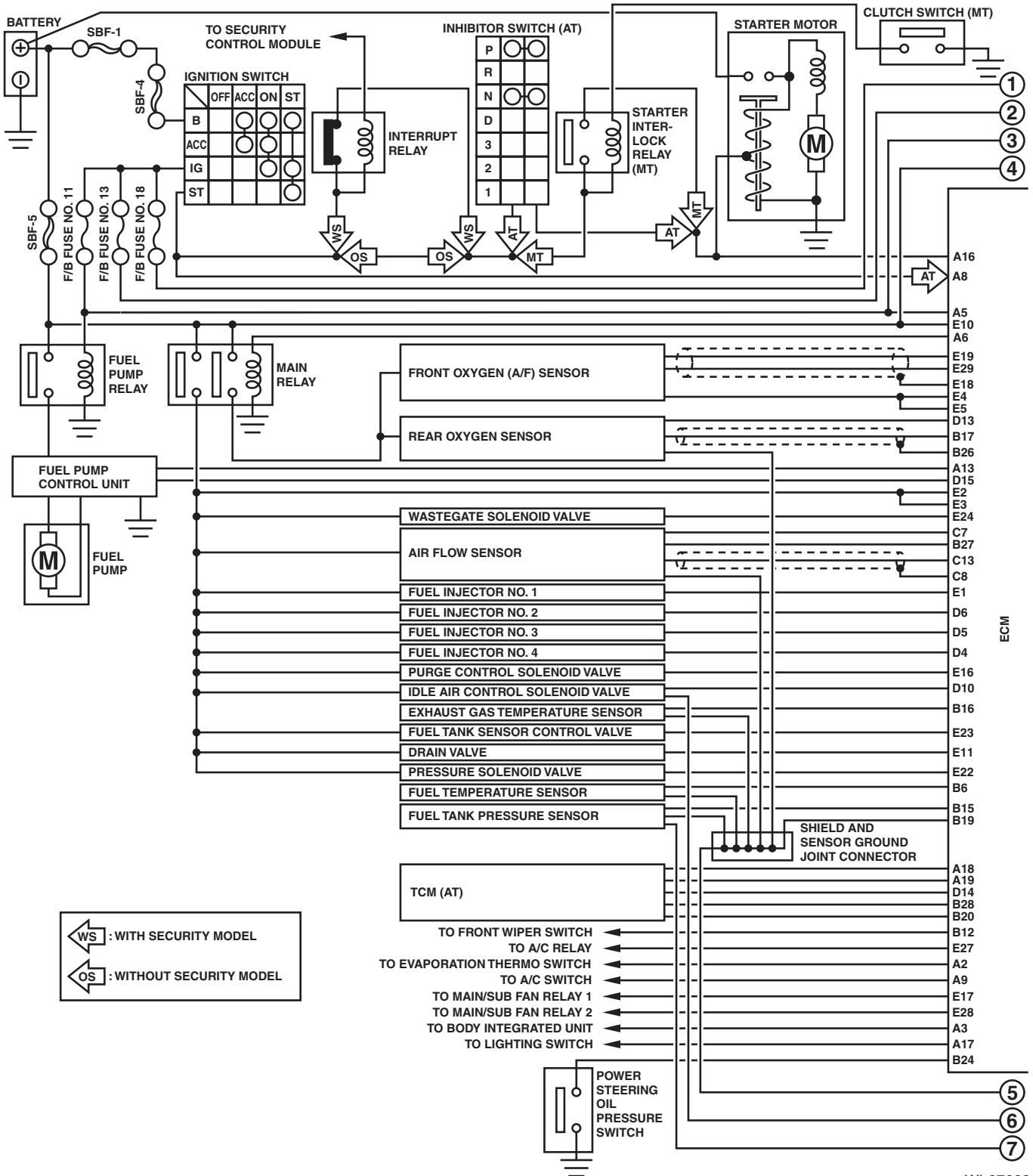
Engine Electrical System

WIRING SYSTEM

5. Engine Electrical System

A: WIRING DIAGRAM

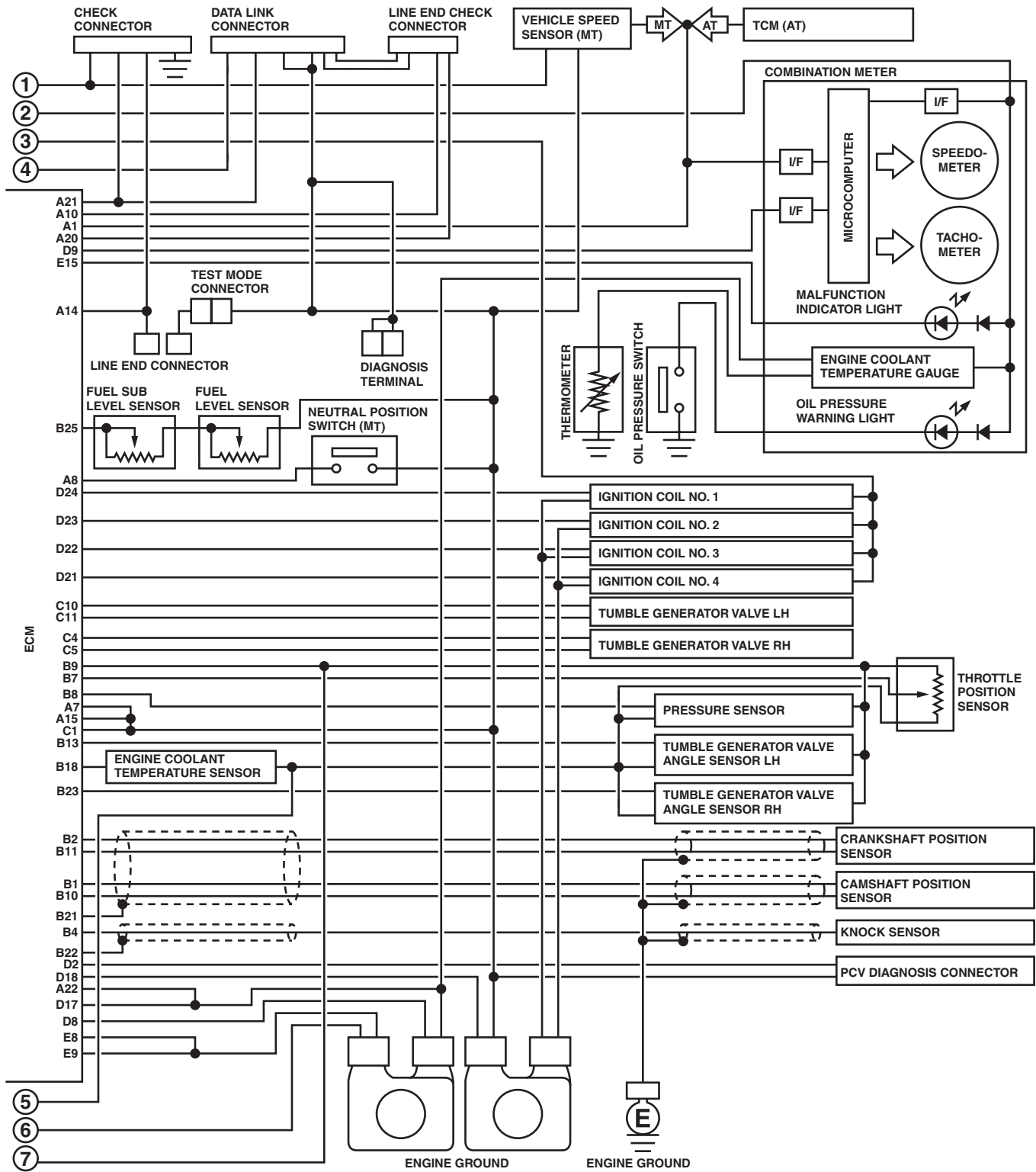
1. TURBO MODEL



WI-07668

Engine Electrical System

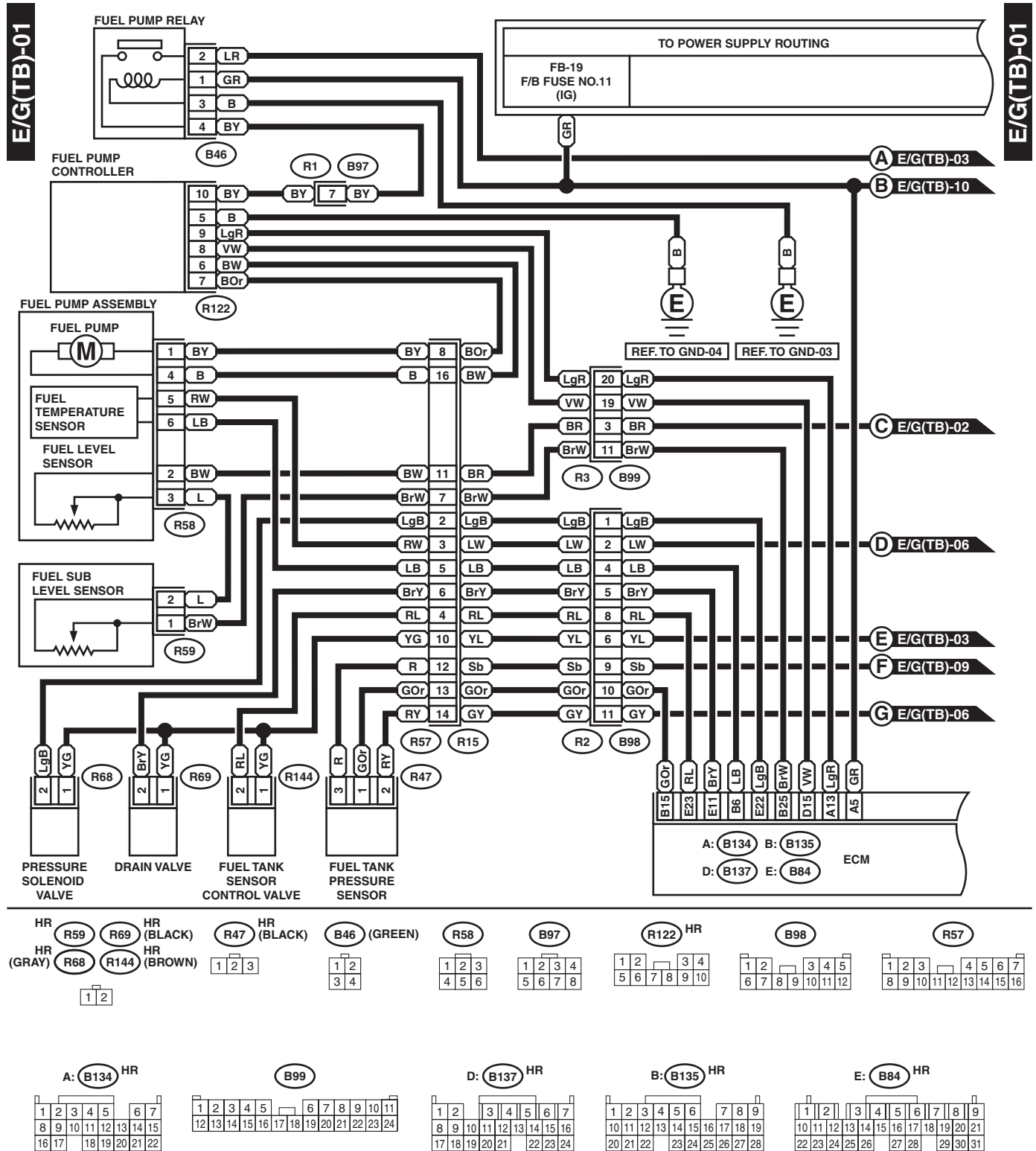
WIRING SYSTEM



WI-05567

Engine Electrical System

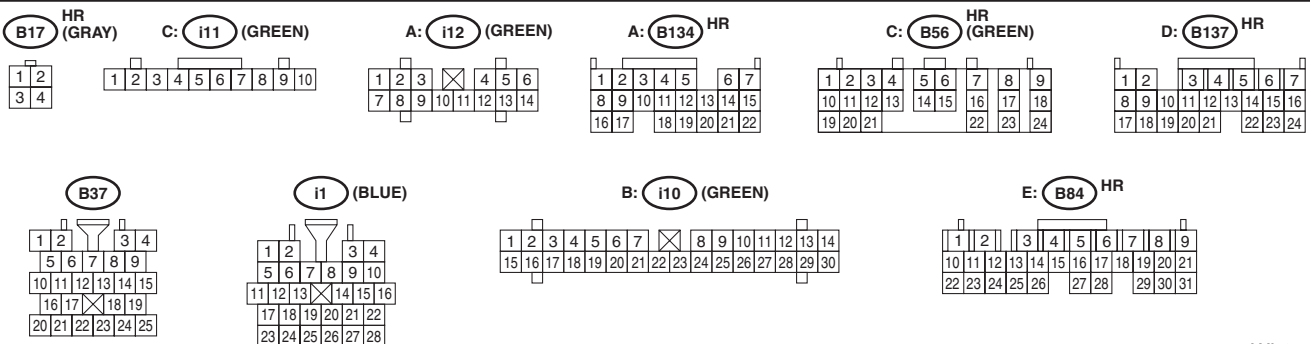
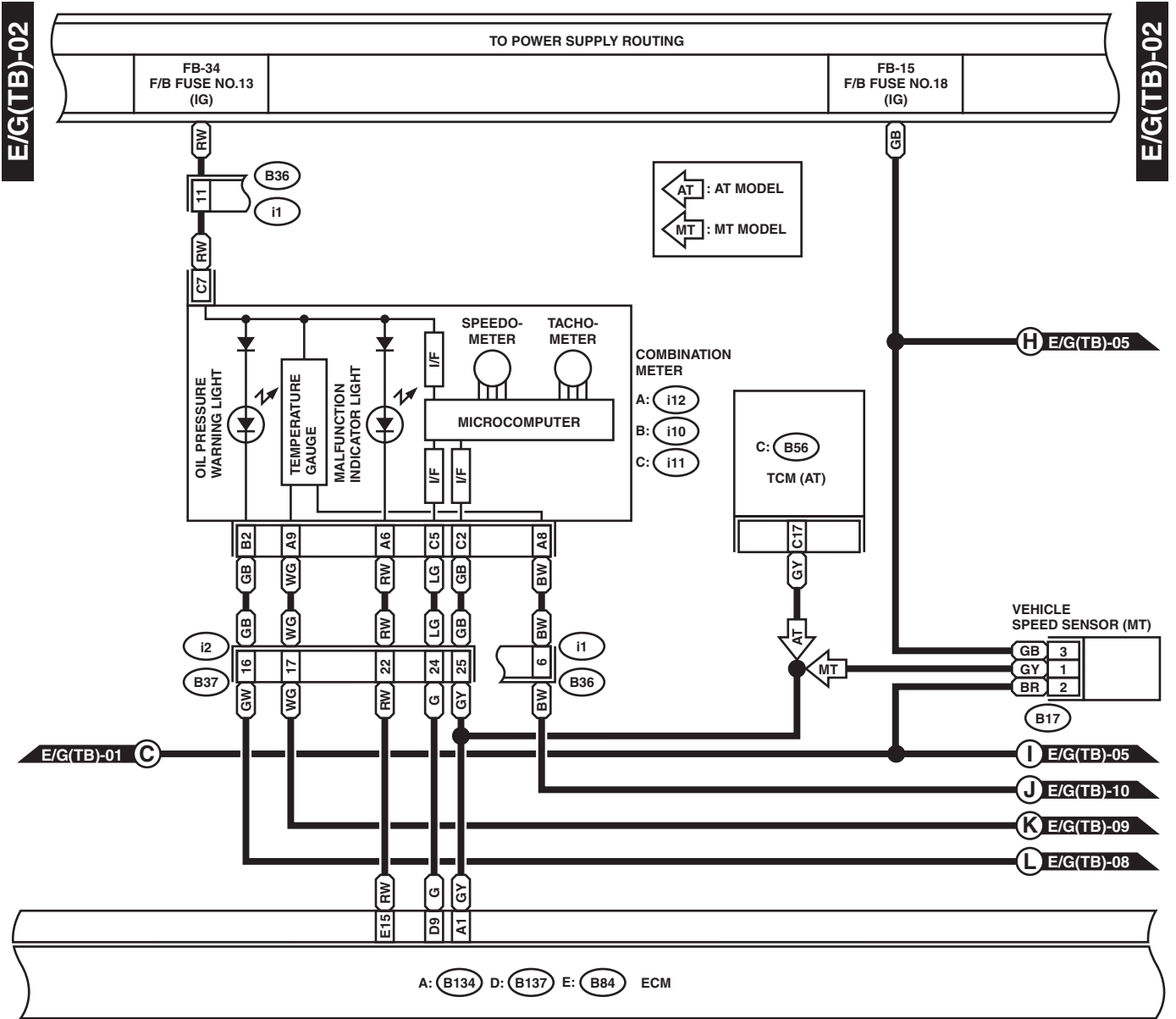
WIRING SYSTEM



WI-05632

Engine Electrical System

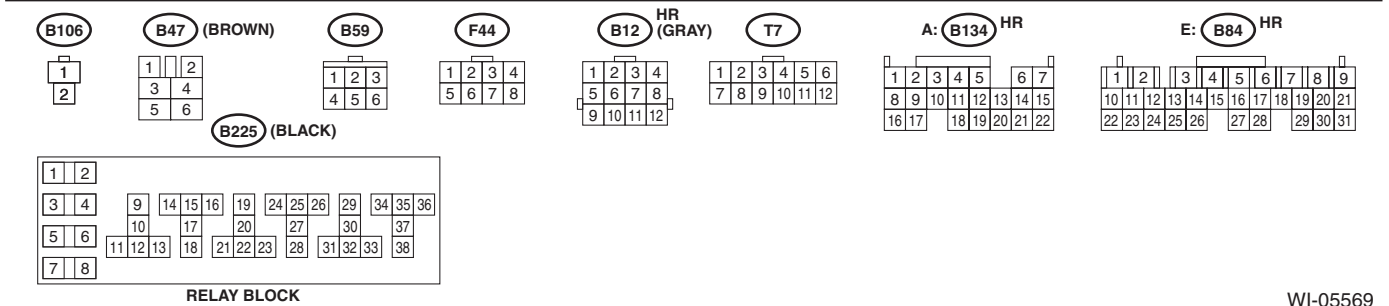
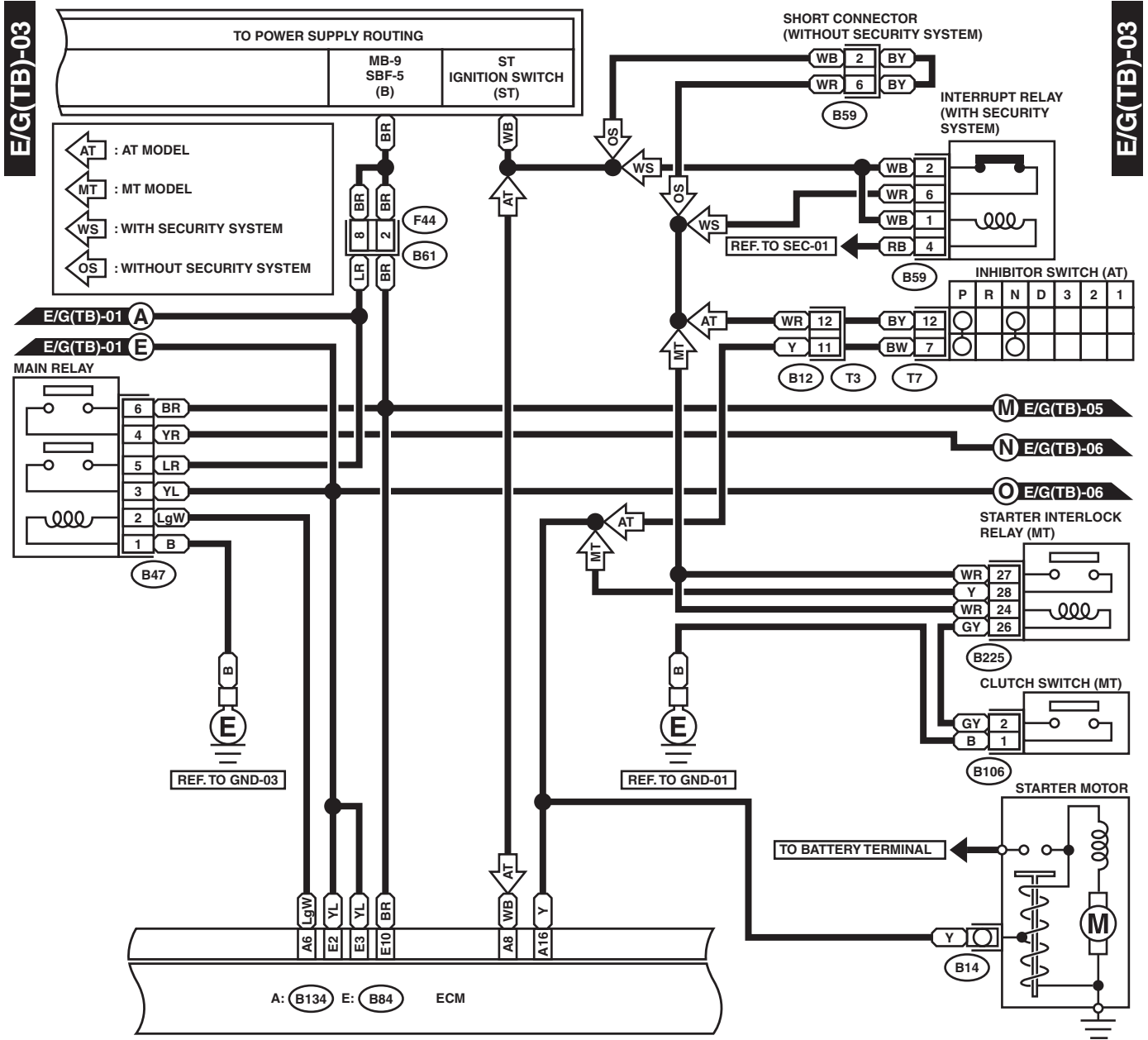
WIRING SYSTEM



WI-05568

Engine Electrical System

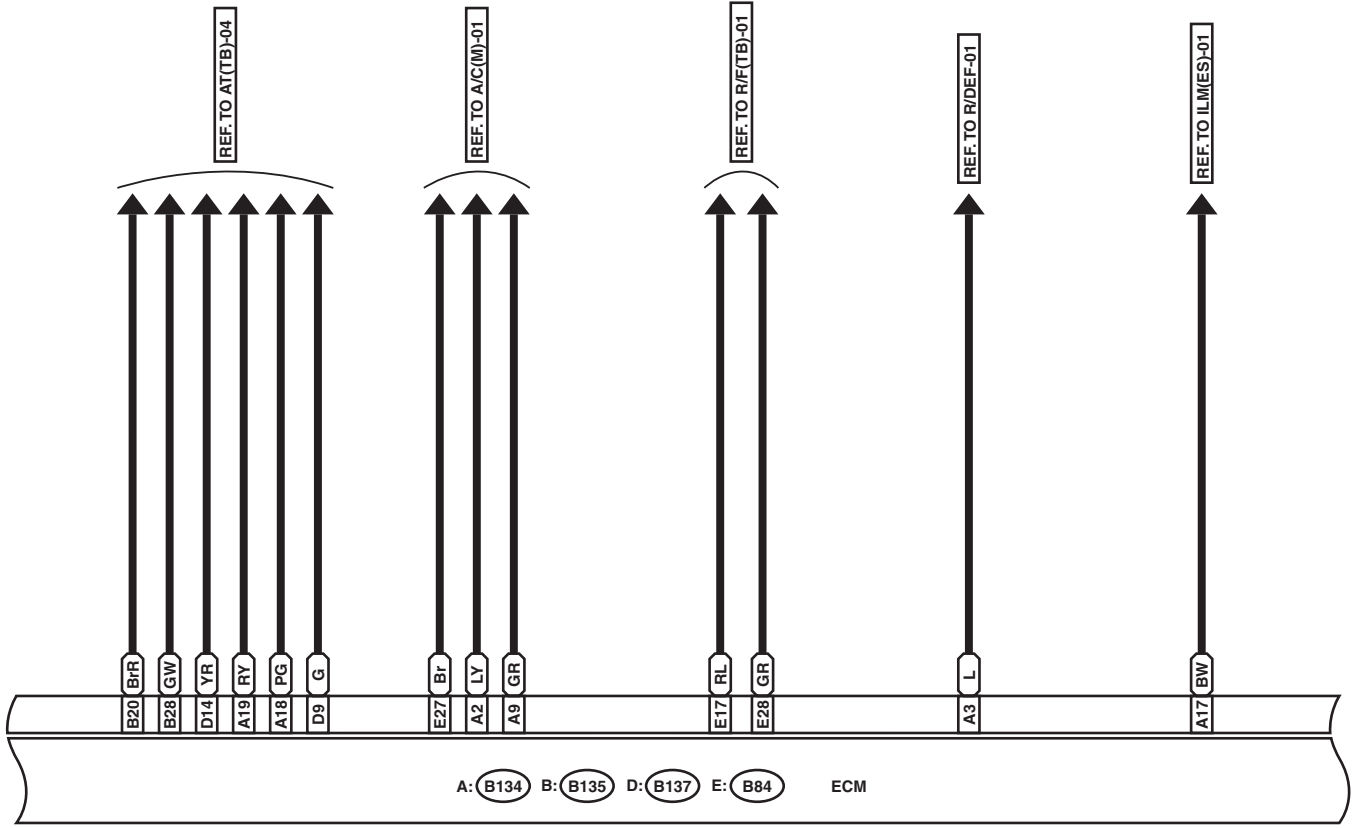
WIRING SYSTEM



WI-05569

E/G(TB)-04

E/G(TB)-04



A: B134 HR

1	2	3	4	5	6	7	
8	9	10	11	12	13	14	15
16	17	18	19	20	21	22	

D: B137 HR

1	2	3	4	5	6	7		
8	9	10	11	12	13	14	15	16
17	18	19	20	21	22	23	24	

B: B135 HR

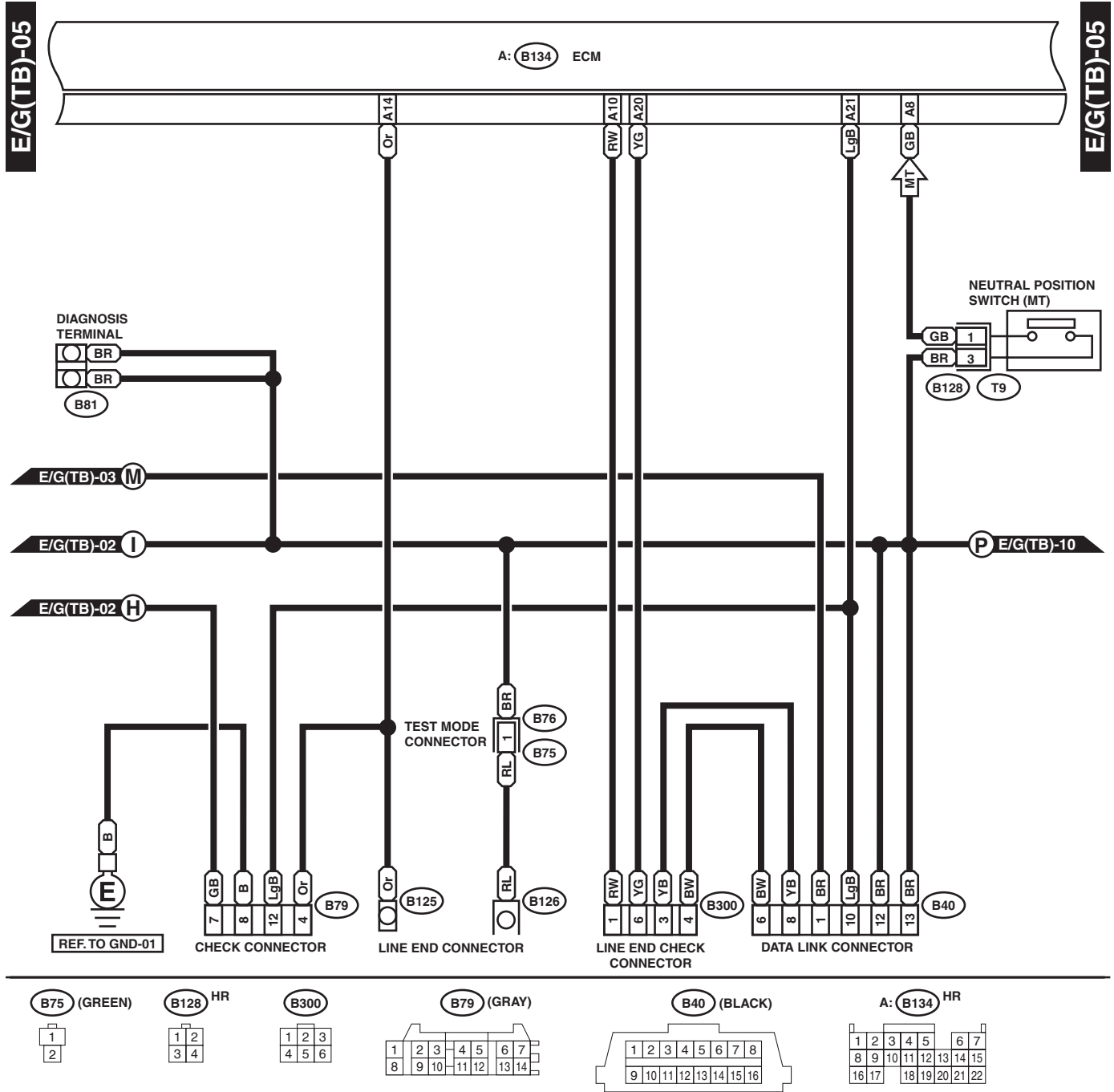
1	2	3	4	5	6	7	8	9	
10	11	12	13	14	15	16	17	18	19
20	21	22	23	24	25	26	27	28	

E: B84 HR

1	2	3	4	5	6	7	8	9			
10	11	12	13	14	15	16	17	18	19	20	21
22	23	24	25	26	27	28	29	30	31		

Engine Electrical System

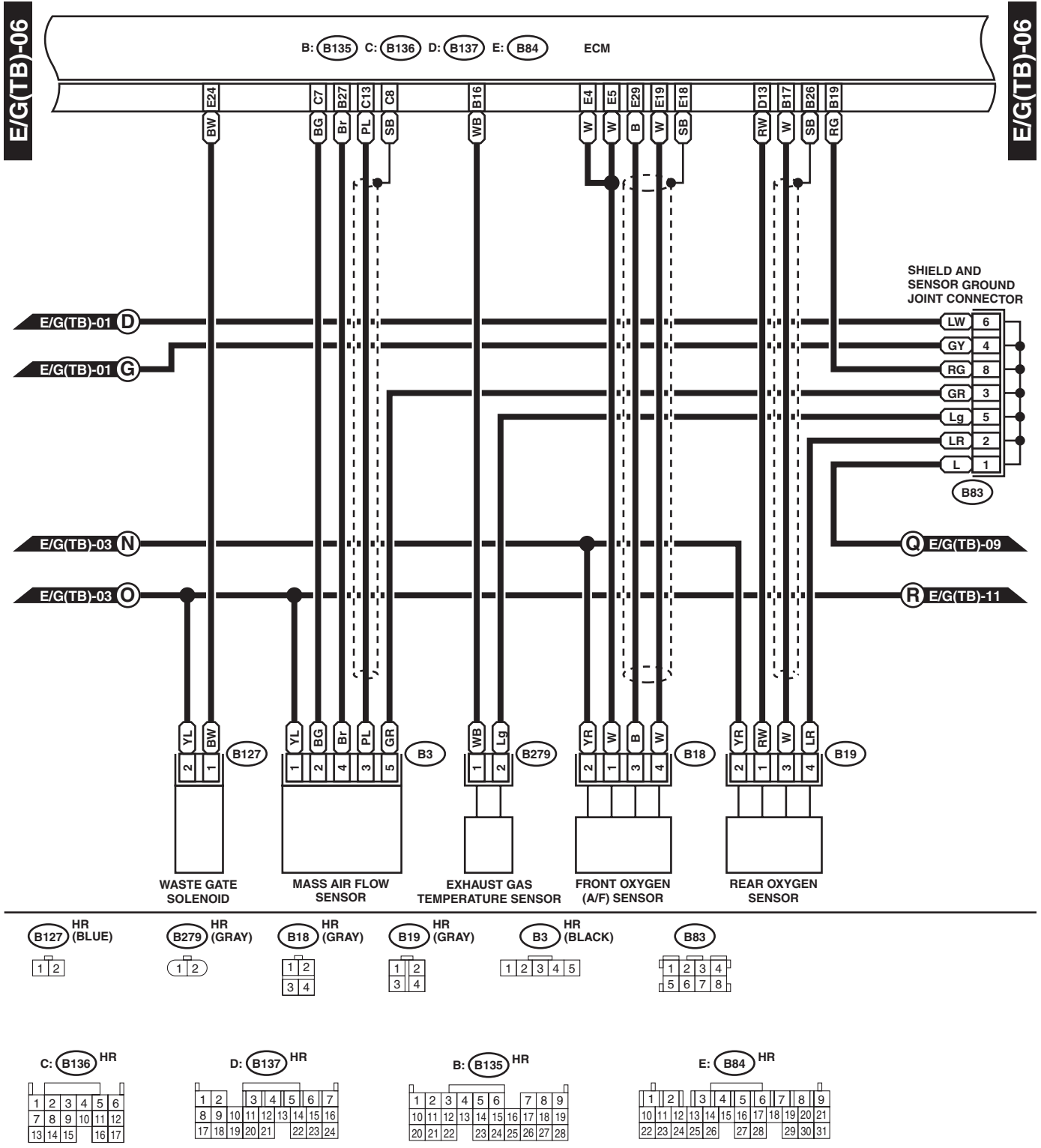
WIRING SYSTEM



WI-05571

Engine Electrical System

WIRING SYSTEM



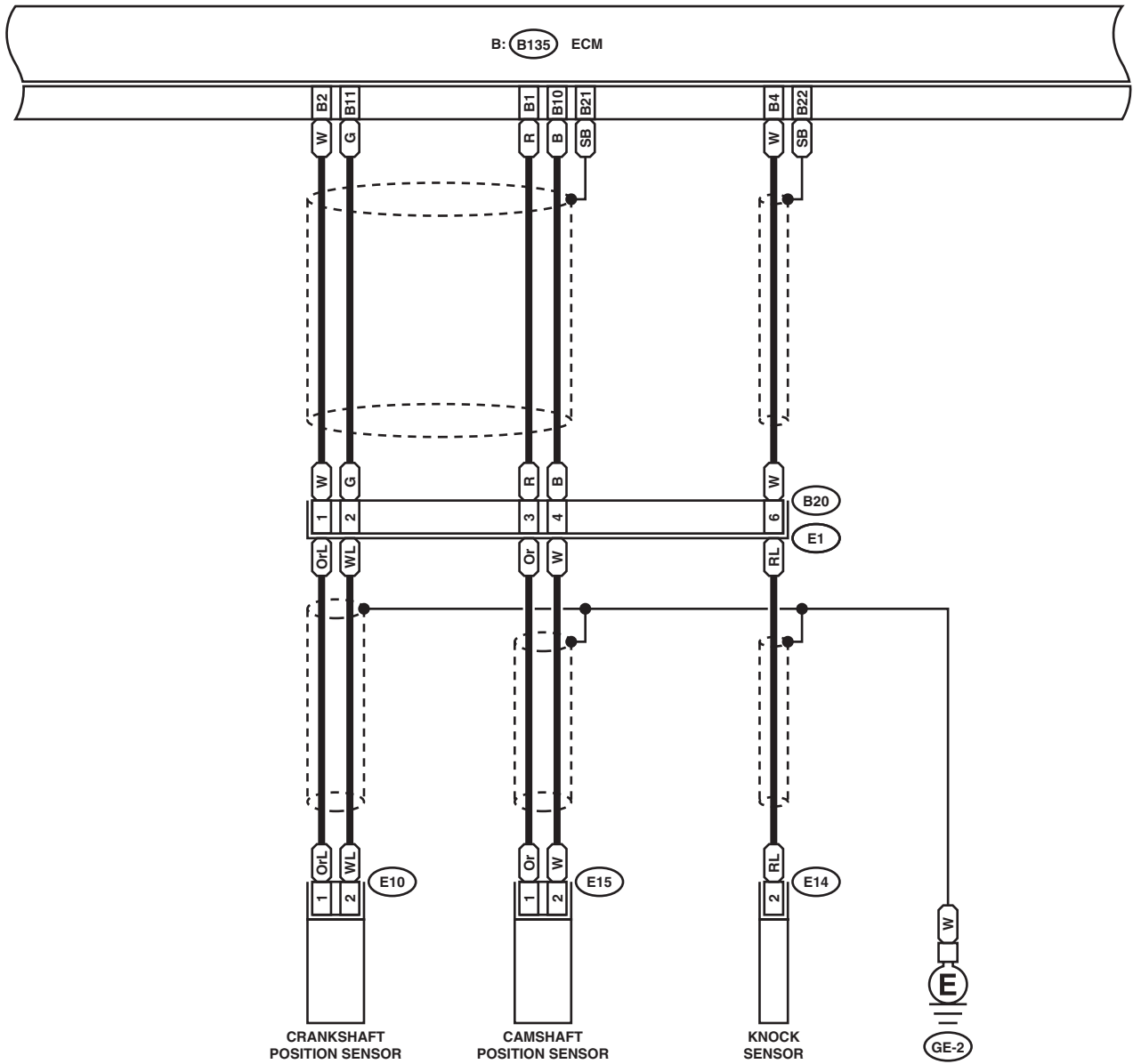
WI-05633

Engine Electrical System

WIRING SYSTEM

E/G(TB)-07

E/G(TB)-07



- E10** (LIGHT GRAY)
 - E14** (LIGHT GRAY)
 - E15** (LIGHT GRAY)
- | | |
|---|---|
| 1 | 2 |
|---|---|

B20 HR (LIGHT GRAY)

1	2	3	4
5	6	7	
8	9	10	

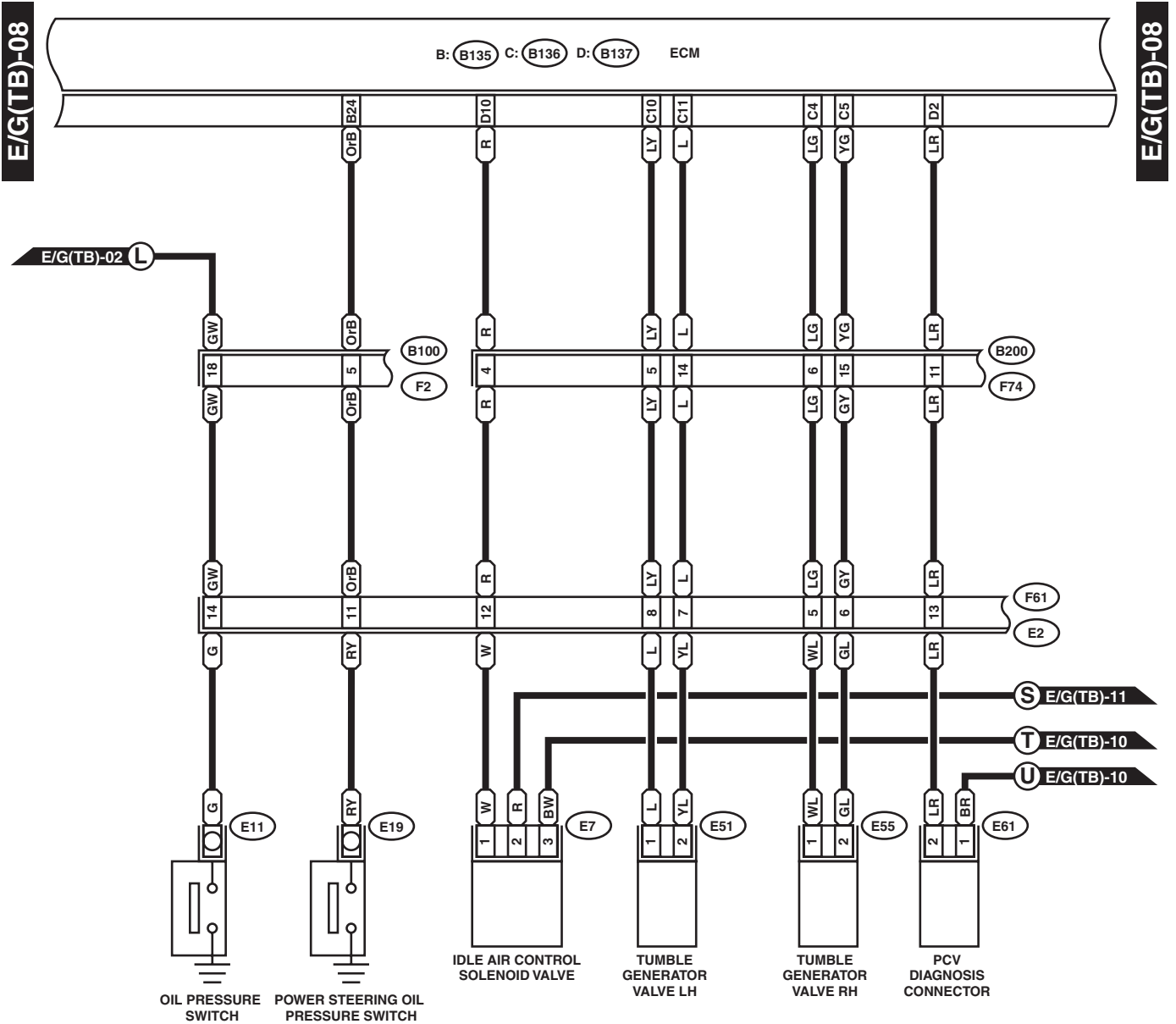
B: B135 HR

1	2	3	4	5	6	7	8	9	
10	11	12	13	14	15	16	17	18	19
20	21	22	23	24	25	26	27	28	

WI-02477

Engine Electrical System

WIRING SYSTEM



E51 (BLACK)

E7 (BLACK)

F74 (BLUE)

C: B136 HR

F61 (BLACK)

E55 (BLACK)

1	2	3
---	---	---

1	2	3	4	5	6	7		
8	9	10	11	12	13	14	15	16

1	2	3	4	5	6
7	8	9	10	11	12
13	14	15	16	17	

1	2	3	4
5	6	7	8
9	10	11	12
13	14	15	16
17	18	19	20

E61 (GRAY)

1	2
---	---

F2 (BLACK)

D: B137 HR

B: B135 HR

1	2	3	4	5	6	7	8	9	10	11		
12	13	14	15	16	17	18	19	20	21	22	23	24

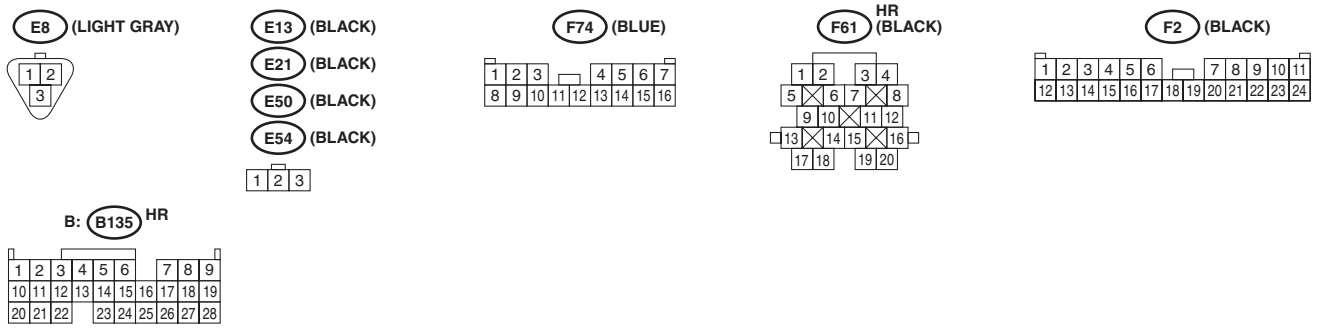
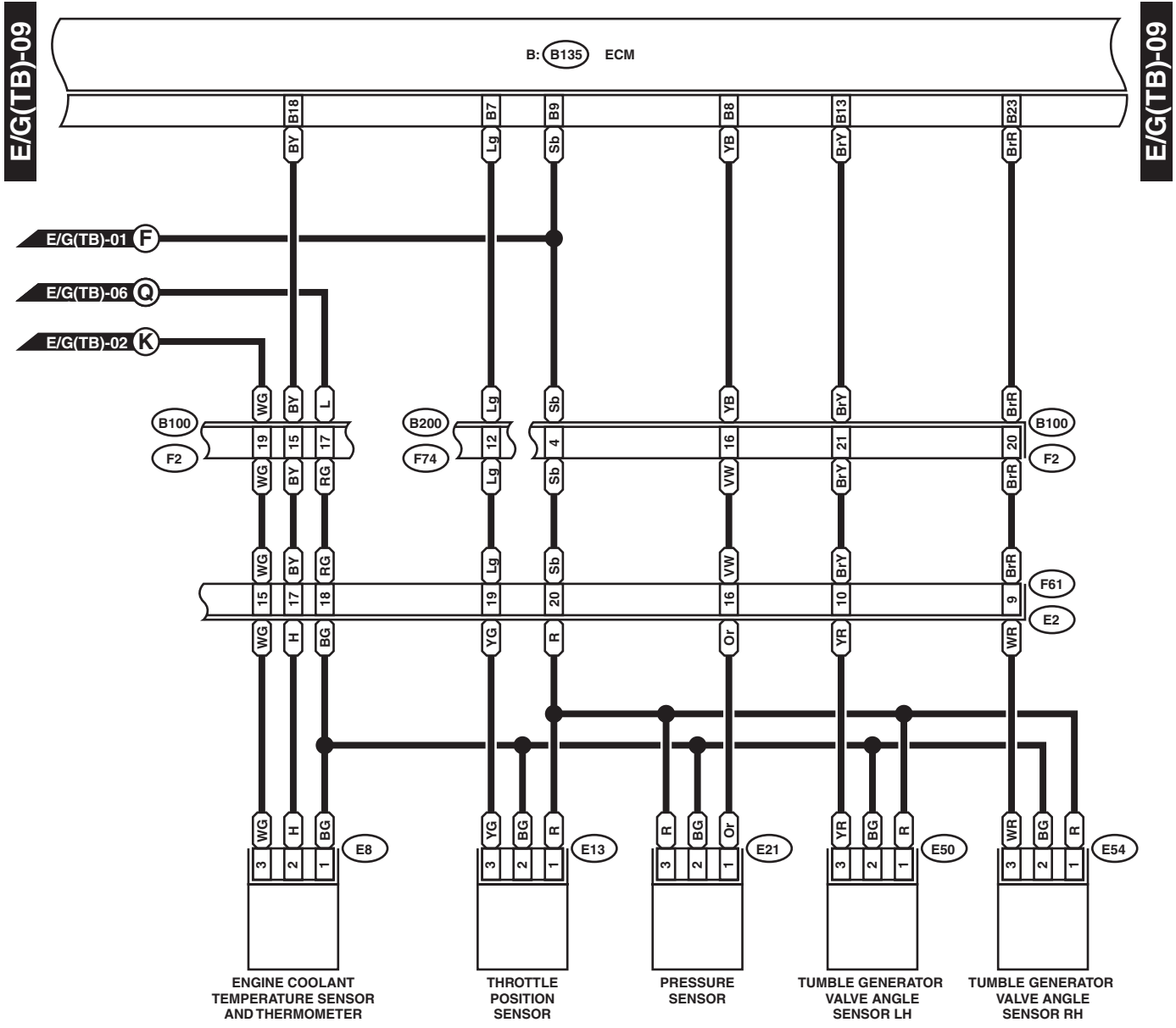
1	2	3	4	5	6	7		
8	9	10	11	12	13	14	15	16
17	18	19	20	21	22	23	24	

1	2	3	4	5	6	7	8	9	
10	11	12	13	14	15	16	17	18	19
20	21	22	23	24	25	26	27	28	

WI-05572

Engine Electrical System

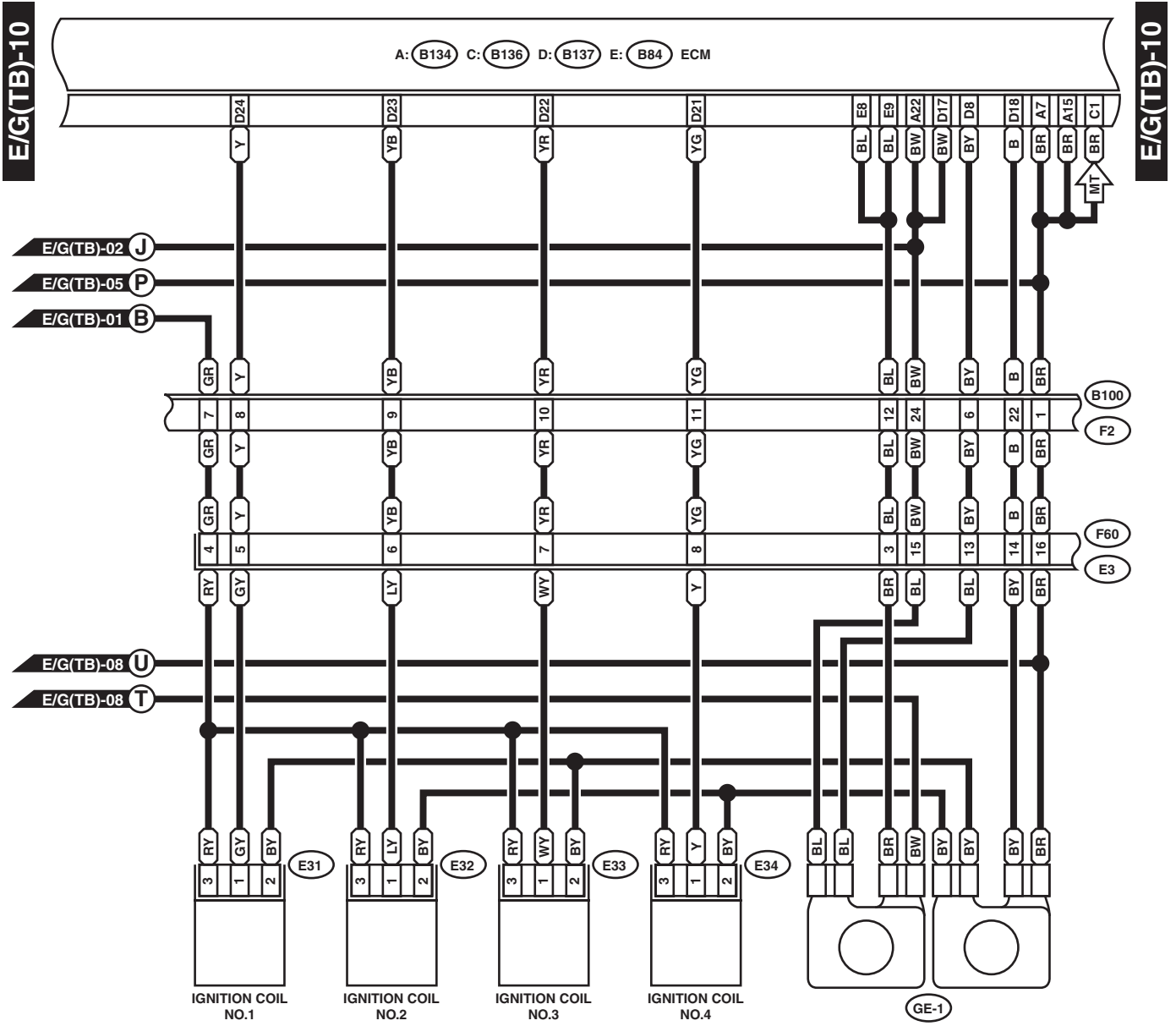
WIRING SYSTEM



WI-05573

Engine Electrical System

WIRING SYSTEM



E31

F60 (BROWN) HR

C: B136 HR

A: B134 HR

F2 (BLACK)

D: B137 HR

1	2	3	4
5	6	7	8
9	10	11	12
13	14	15	16

1	2	3	4	5	6
7	8	9	10	11	12
13	14	15	16	17	

1	2	3	4	5	6	7
8	9	10	11	12	13	14
15	16	17	18	19	20	21
22	23	24	25	26	27	28

1	2	3	4	5	6	7
8	9	10	11	12	13	14
15	16	17	18	19	20	21
22	23	24	25	26	27	28

1	2	3	4	5	6	7	8	9	10	11
12	13	14	15	16	17	18	19	20	21	22
23	24	25	26	27	28	29	30	31	32	33

1	2	3	4	5	6	7
8	9	10	11	12	13	14
15	16	17	18	19	20	21
22	23	24	25	26	27	28

1
2
3

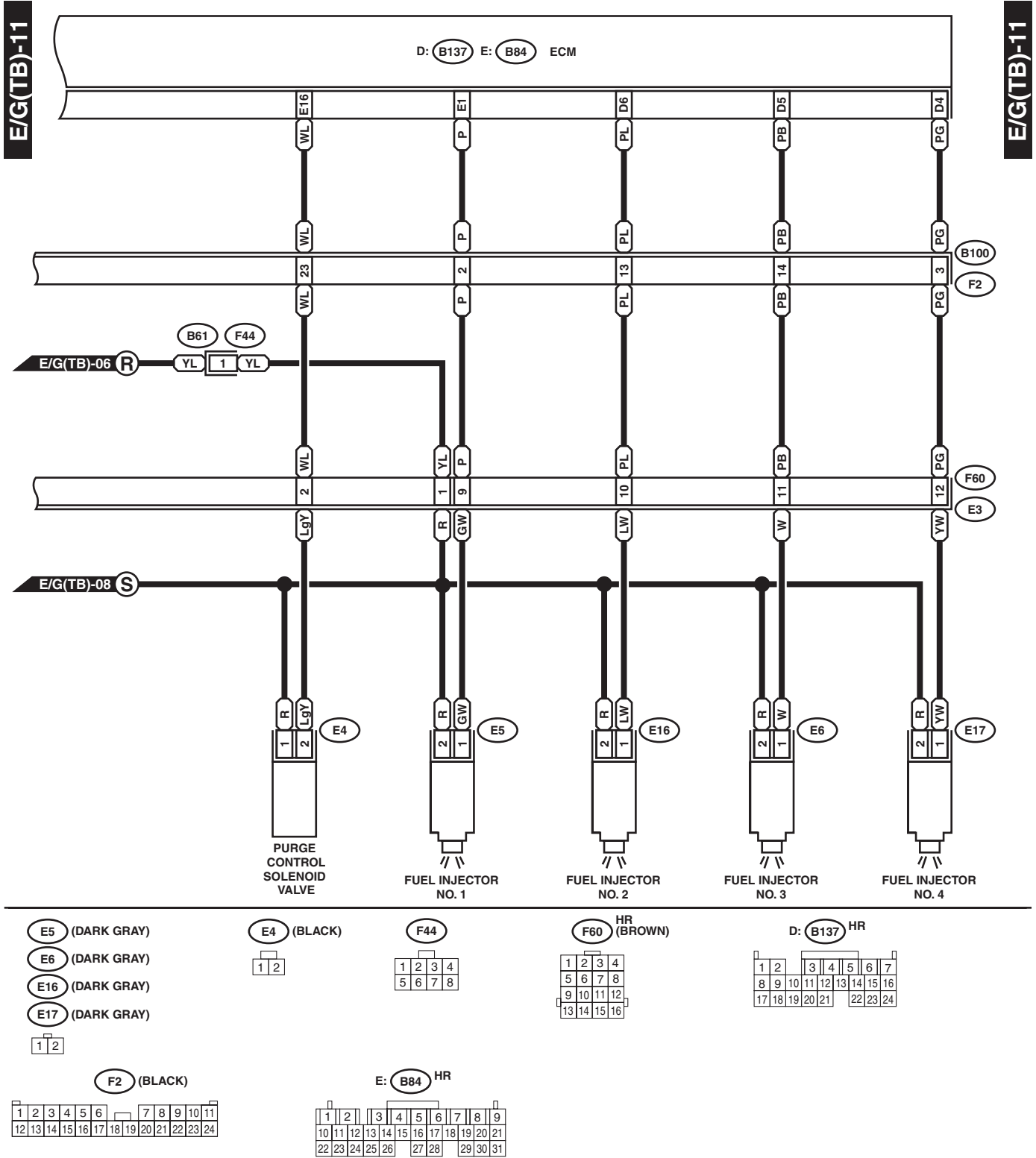
E: B84 HR

1	2	3	4	5	6	7	8	9
10	11	12	13	14	15	16	17	18
19	20	21	22	23	24	25	26	27
28	29	30	31	32	33	34	35	36

WI-02480

Engine Electrical System

WIRING SYSTEM

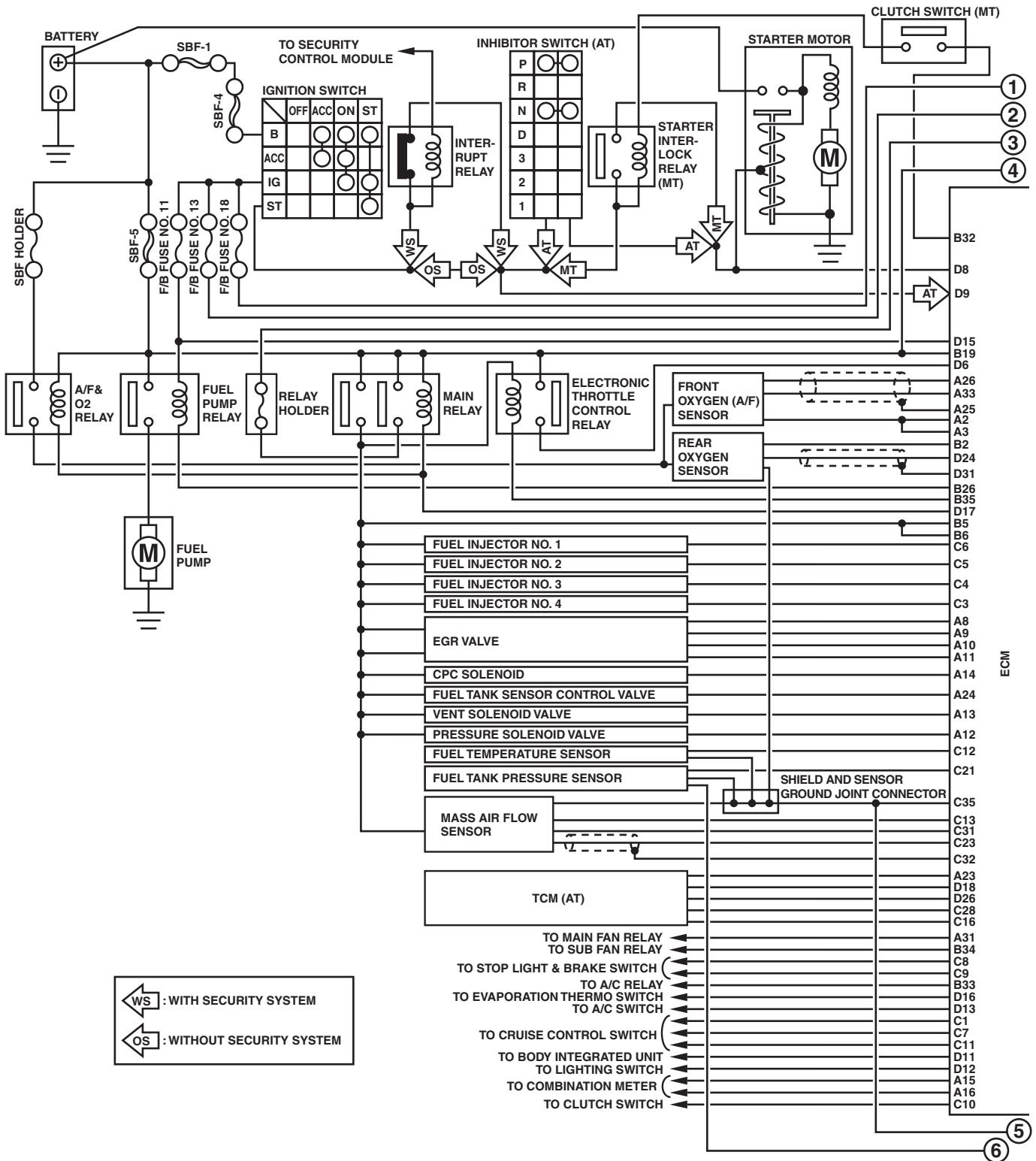


WI-05634

Engine Electrical System

WIRING SYSTEM

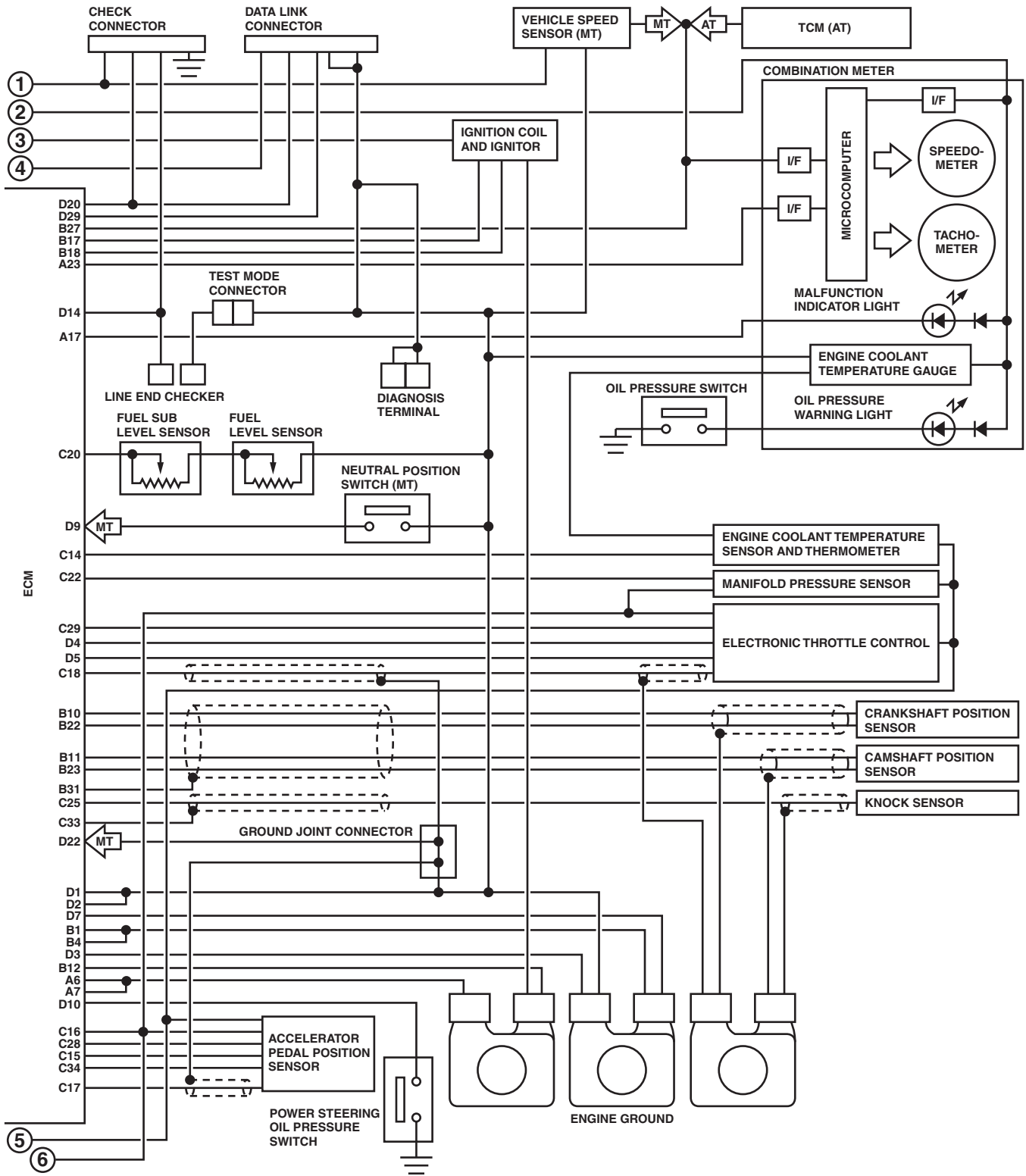
2. NON-TURBO MODEL



WI-05647

Engine Electrical System

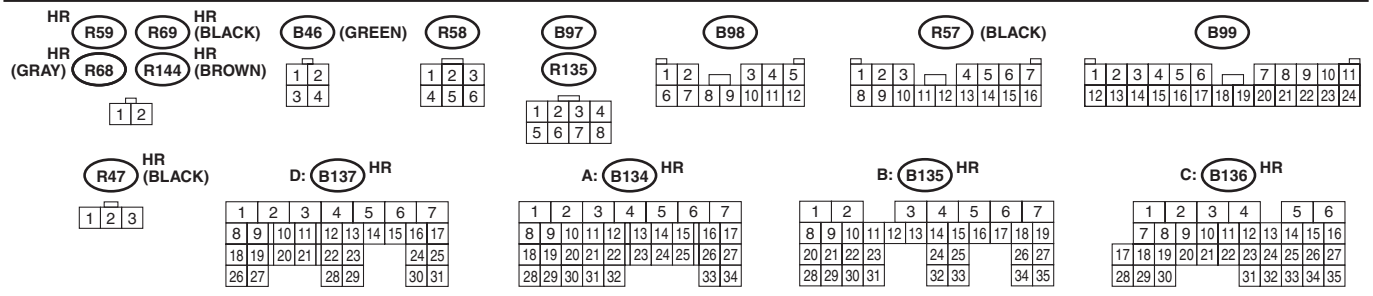
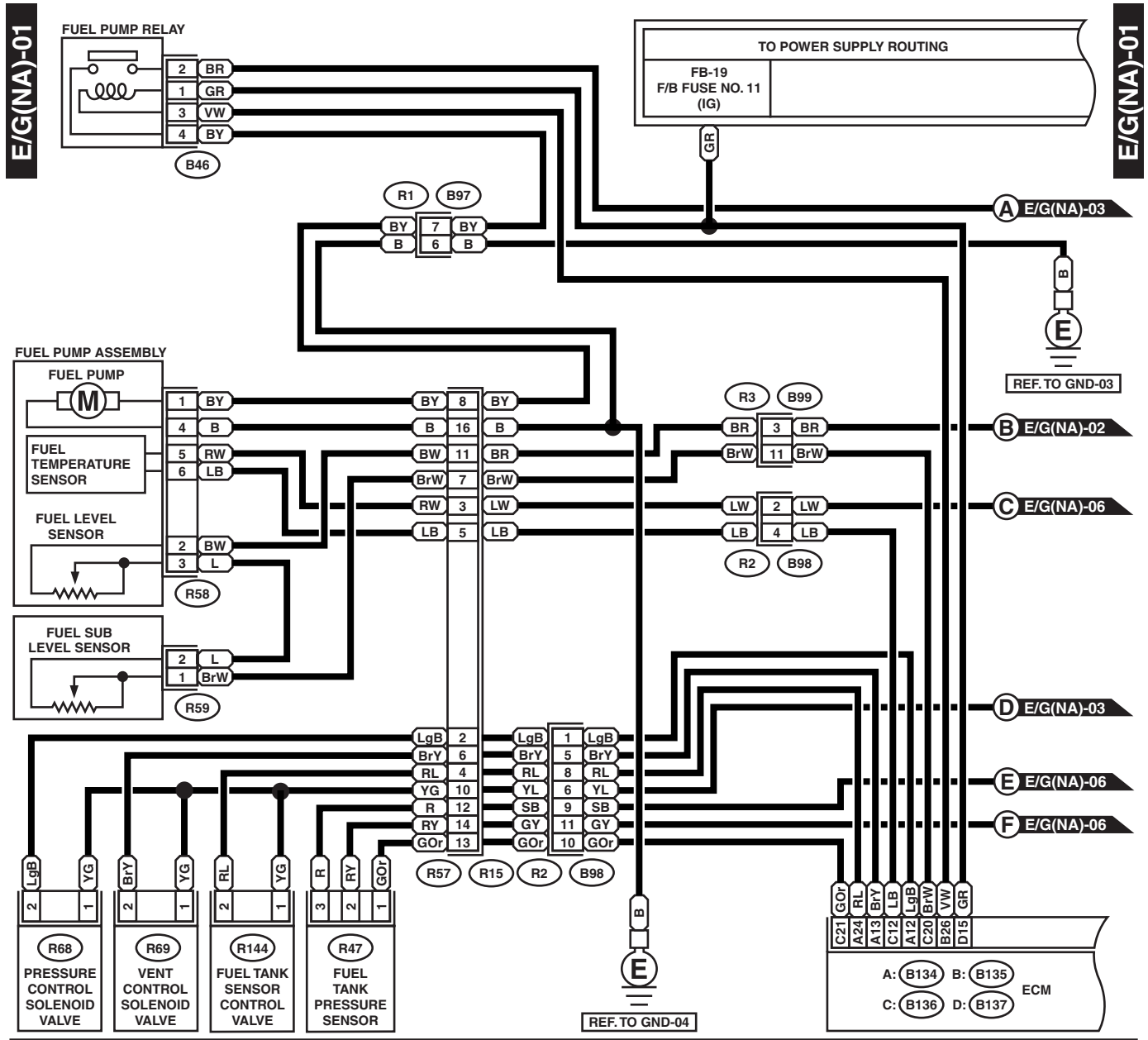
WIRING SYSTEM



WI-05648

Engine Electrical System

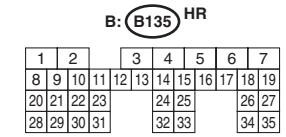
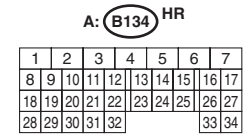
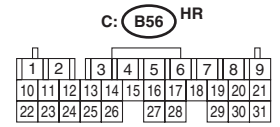
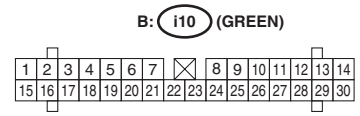
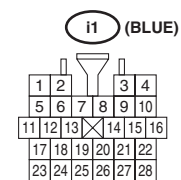
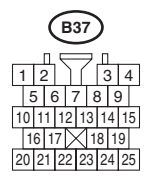
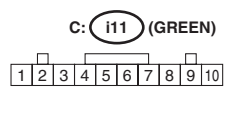
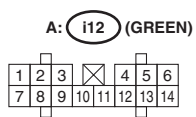
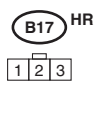
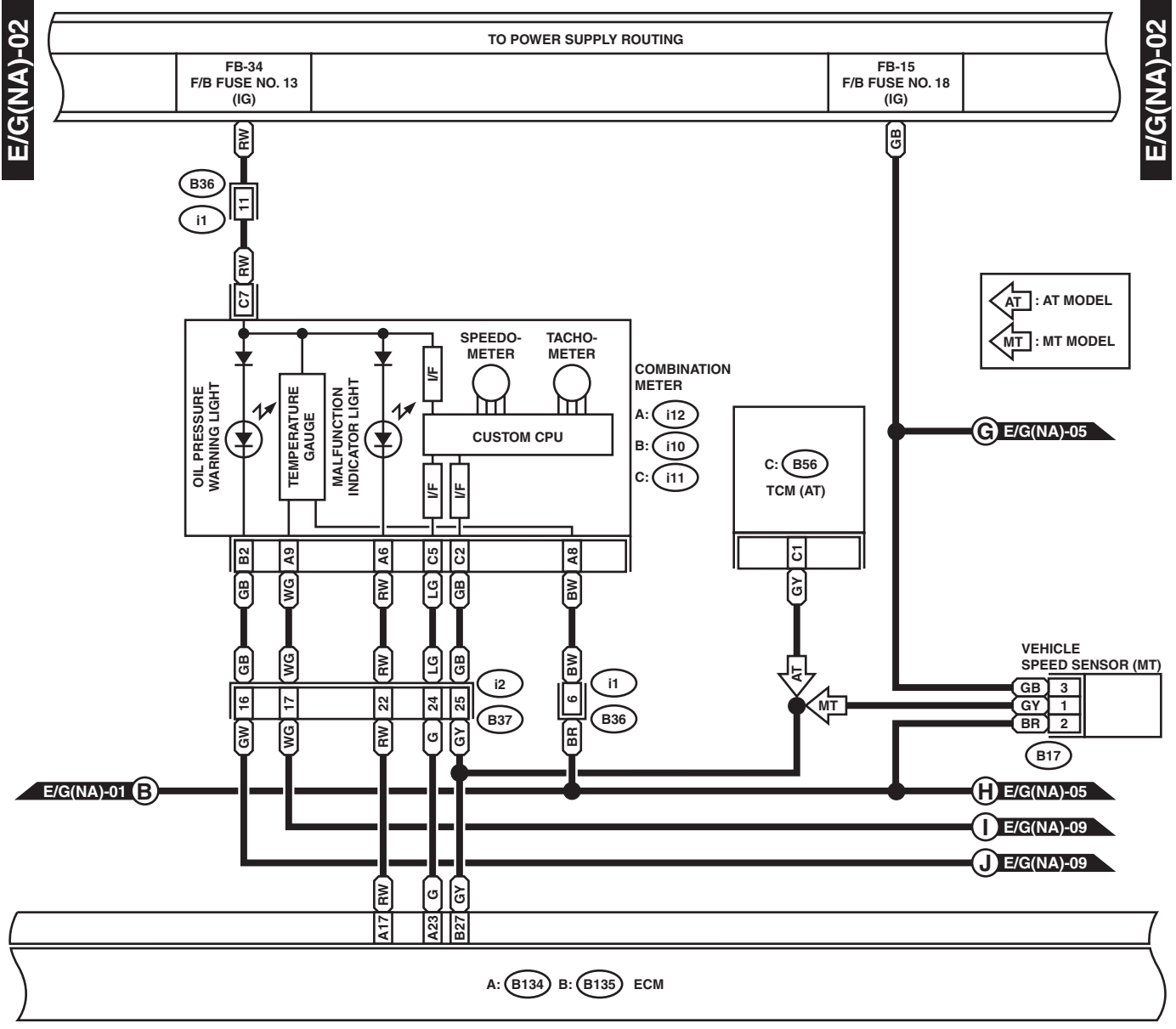
WIRING SYSTEM



WI-05649

Engine Electrical System

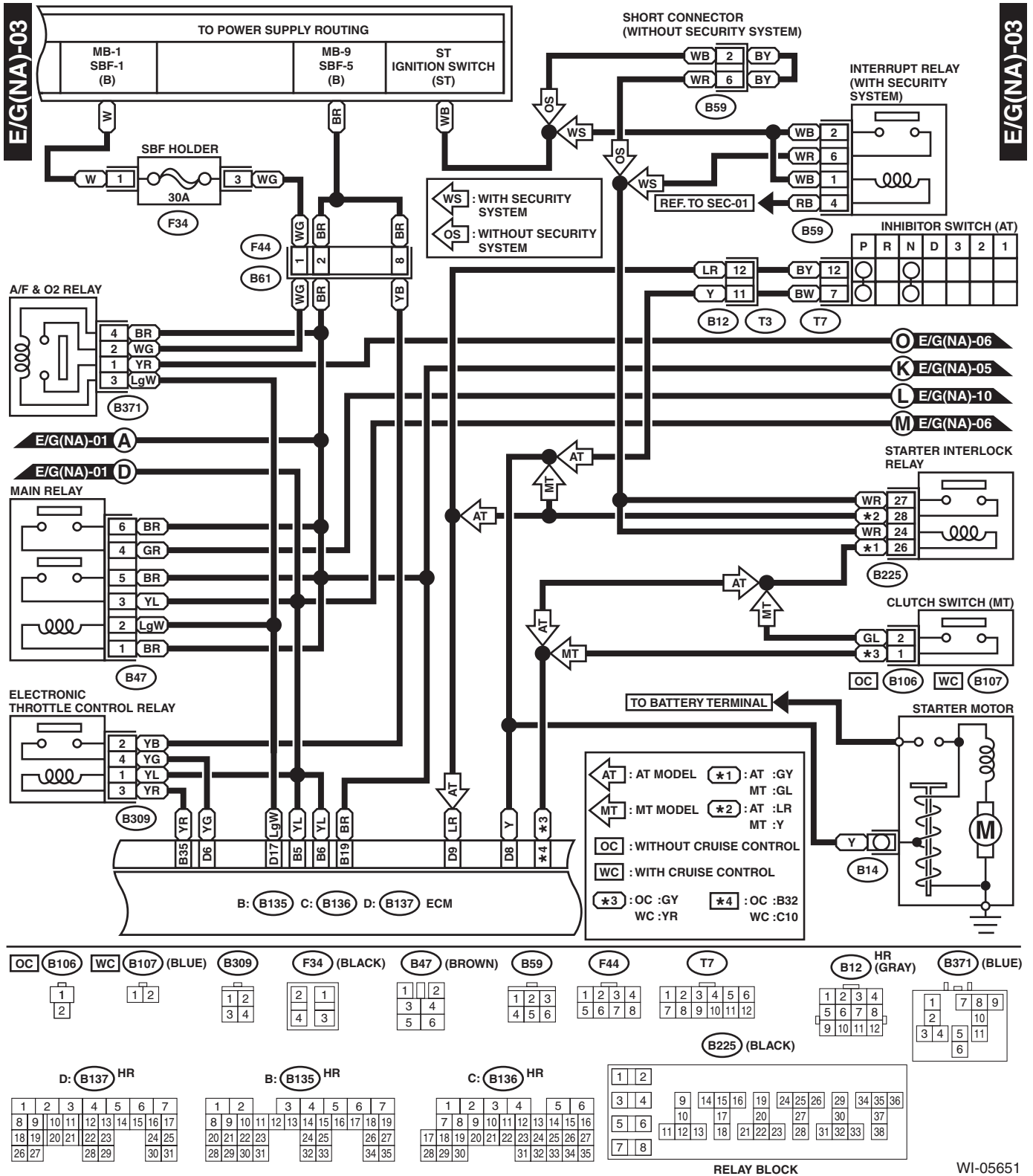
WIRING SYSTEM



WI-05650

Engine Electrical System

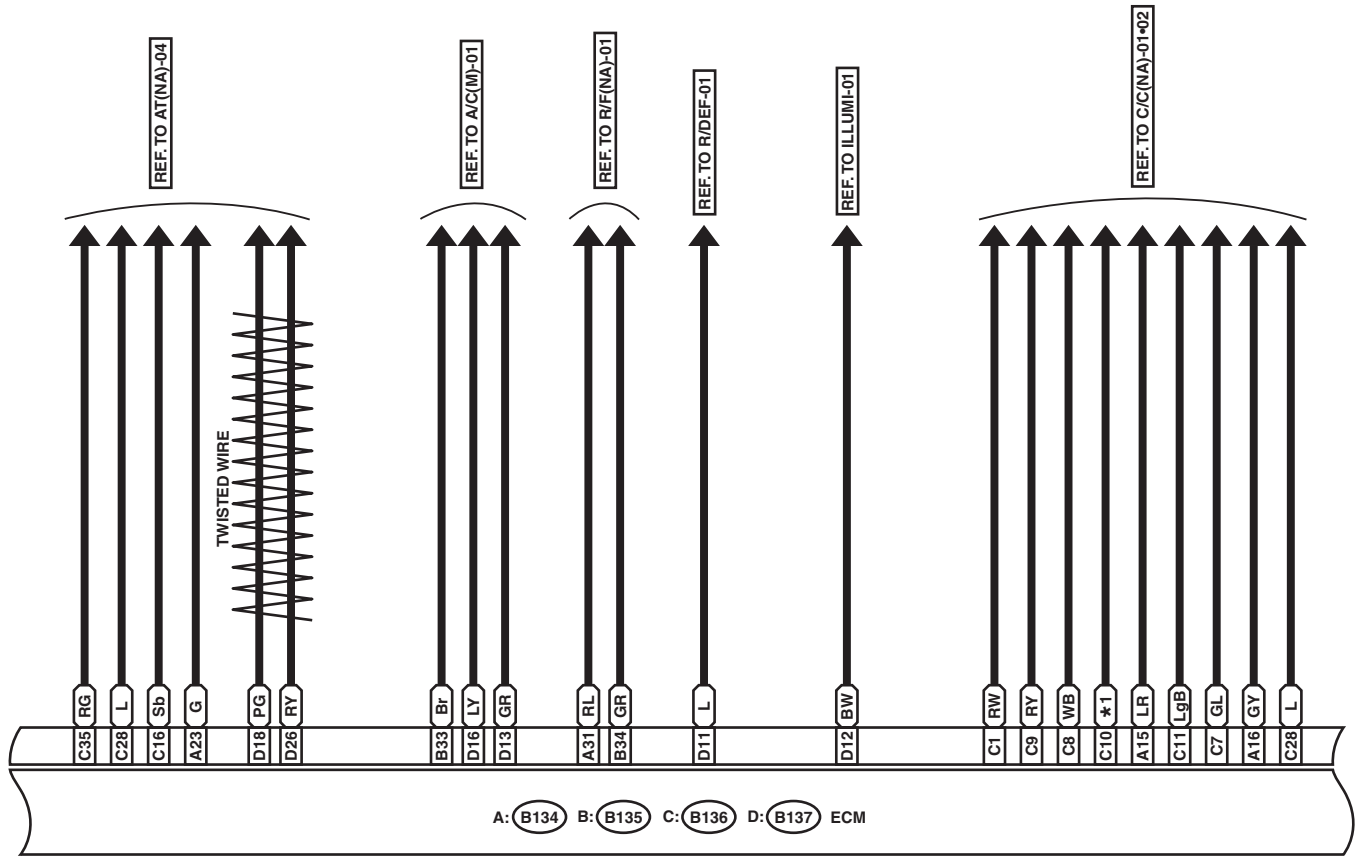
WIRING SYSTEM



E/G(NA)-04

E/G(NA)-04

*1 : AT MODEL :GR
MT MODEL :YR



D: B137 HR

1	2	3	4	5	6	7
8	9	10	11	12	13	14
15	16	17	18	19	20	21
22	23	24	25	26	27	28
29	30	31	32	33	34	35

A: B134 HR

1	2	3	4	5	6	7
8	9	10	11	12	13	14
15	16	17	18	19	20	21
22	23	24	25	26	27	28
29	30	31	32	33	34	35

B: B135 HR

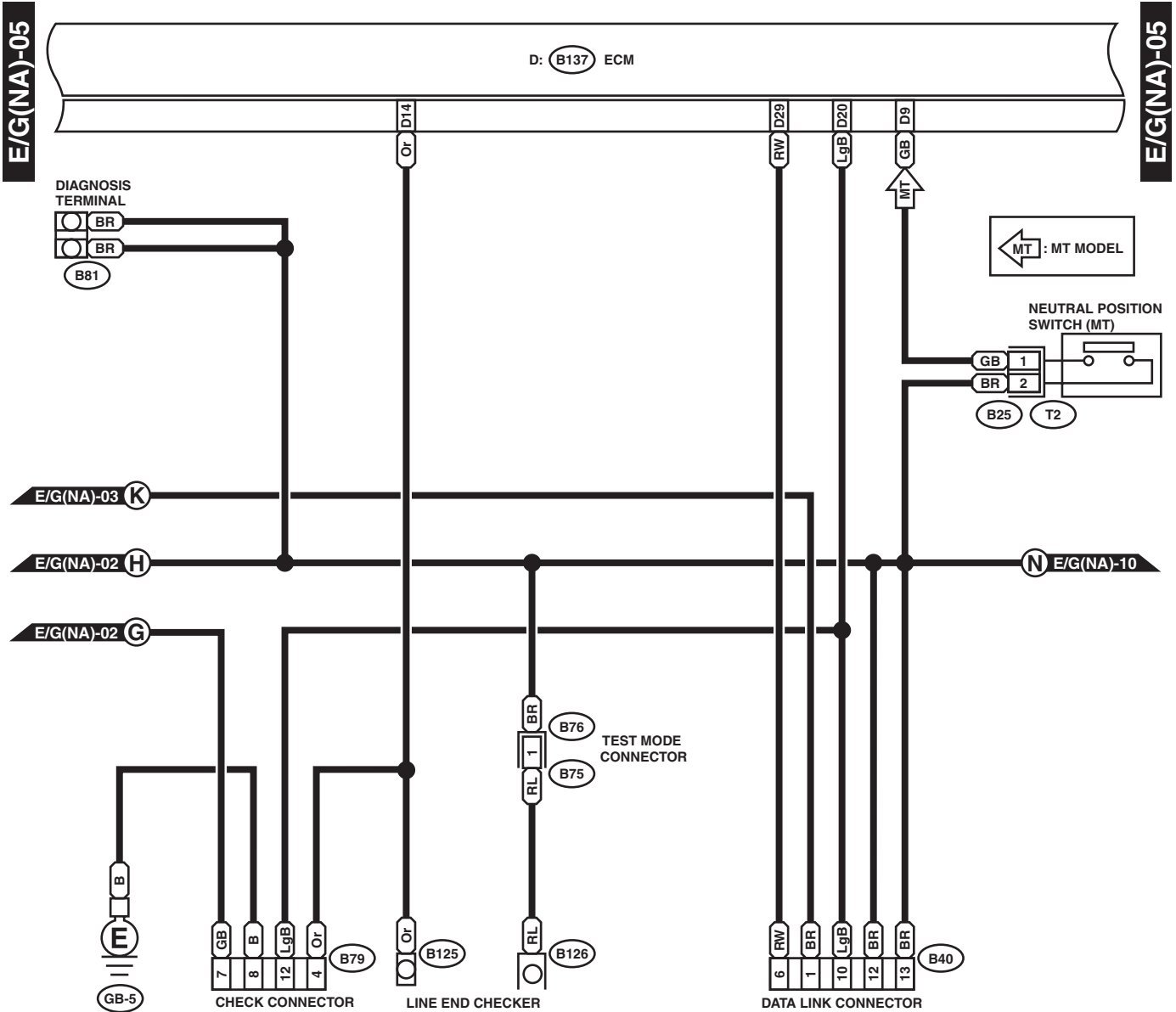
1	2	3	4	5	6	7
8	9	10	11	12	13	14
15	16	17	18	19	20	21
22	23	24	25	26	27	28
29	30	31	32	33	34	35

C: B136 HR

1	2	3	4	5	6
7	8	9	10	11	12
13	14	15	16	17	18
19	20	21	22	23	24
25	26	27	28	29	30
31	32	33	34	35	

Engine Electrical System

WIRING SYSTEM



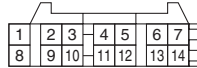
B75 (GREEN)



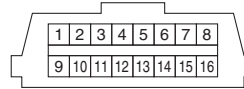
B25 (BROWN)



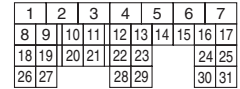
B79 (GRAY)



B40 (BLACK)



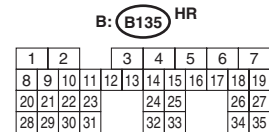
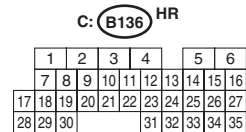
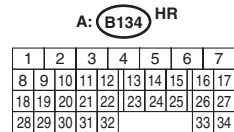
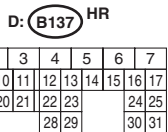
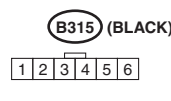
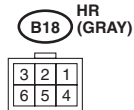
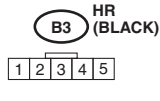
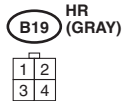
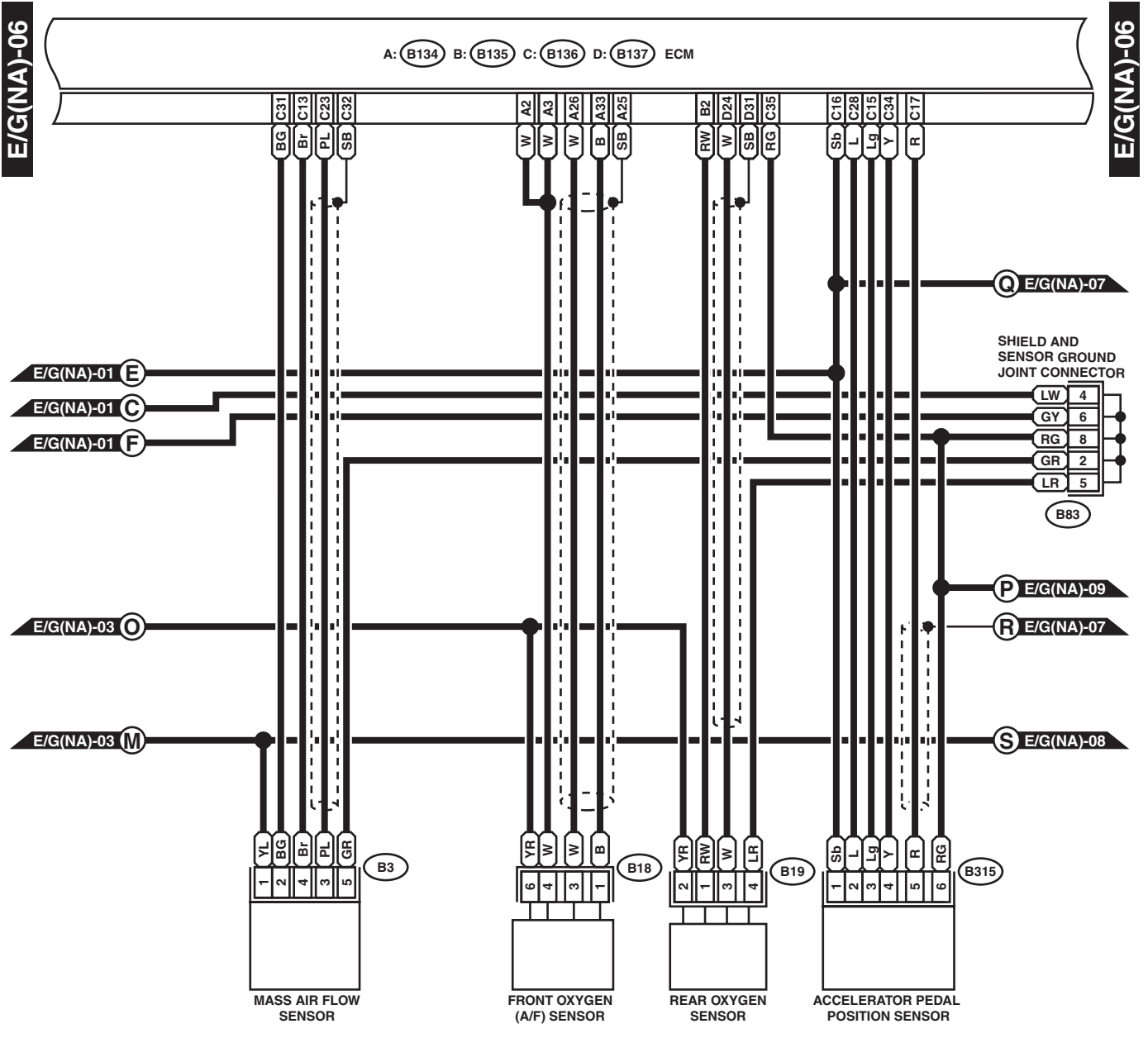
D: B137 HR



WI-05635

Engine Electrical System

WIRING SYSTEM



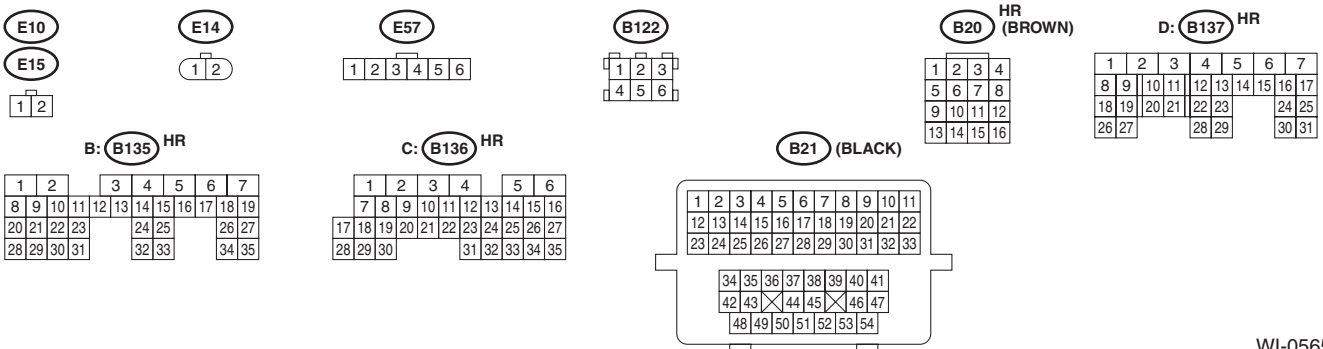
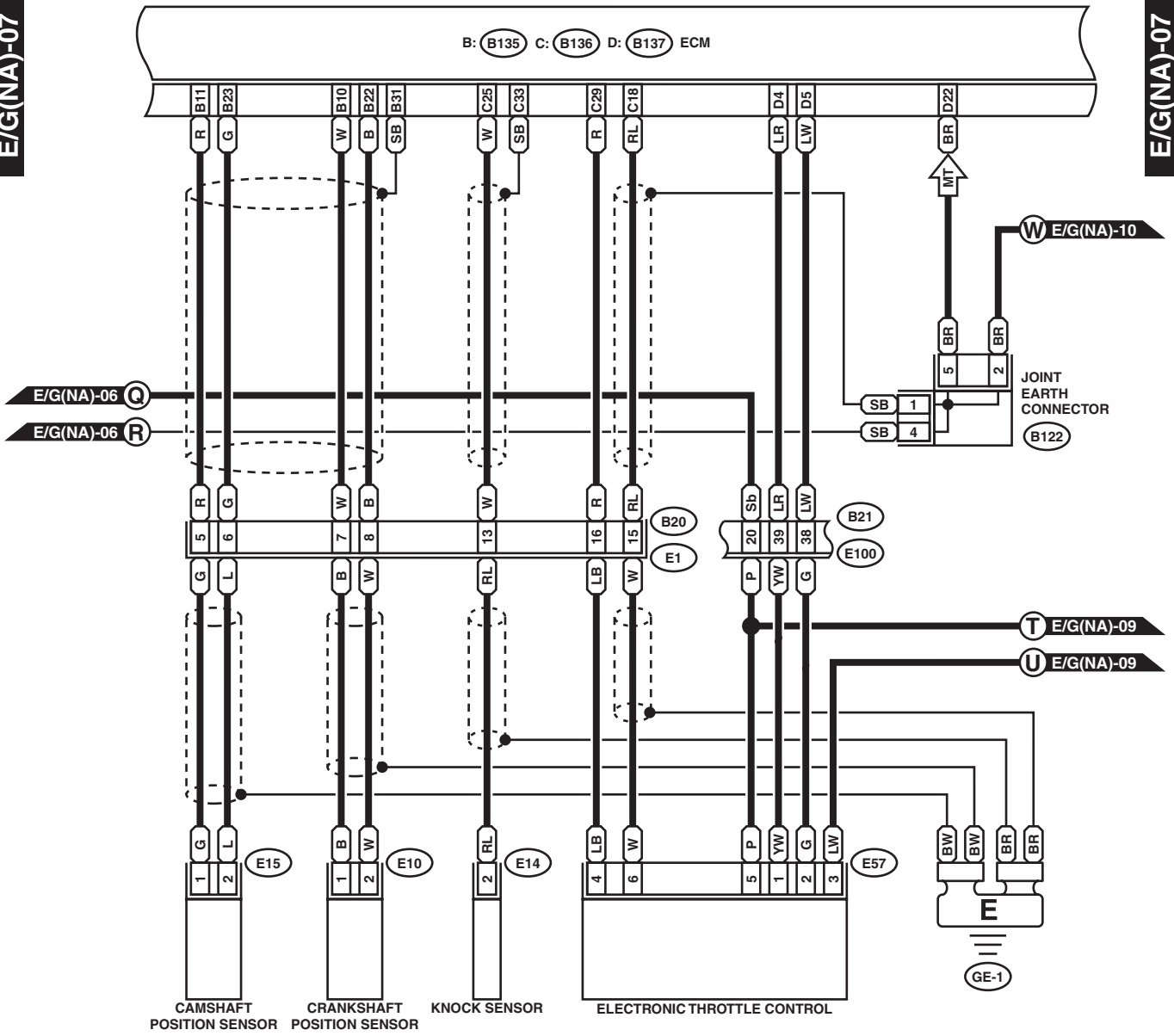
WI-05653

Engine Electrical System

WIRING SYSTEM

E/G(NA)-07

E/G(NA)-07



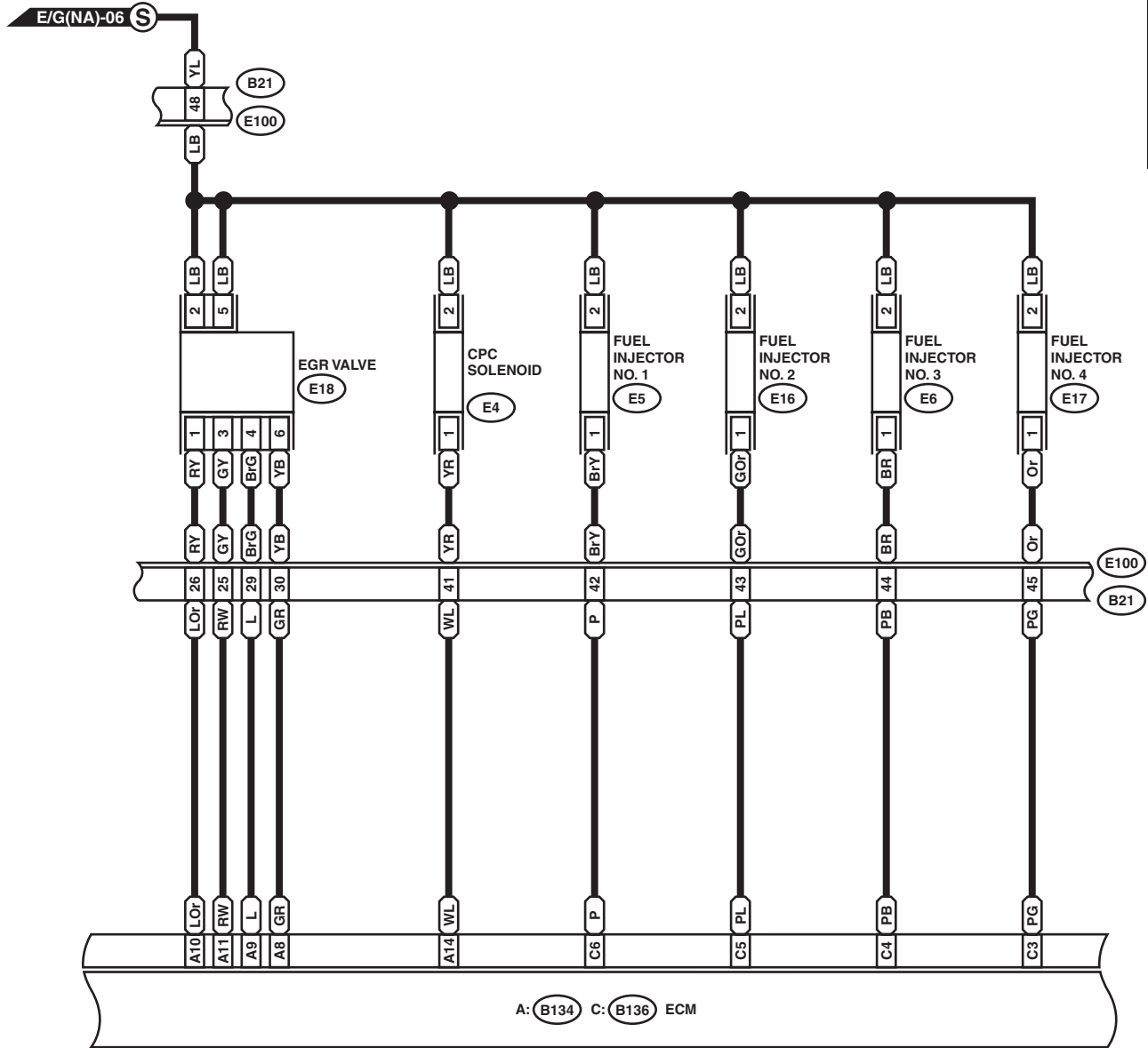
WI-05654

Engine Electrical System

WIRING SYSTEM

E/G(NA)-08

E/G(NA)-08



E4 (BLACK) E5 E16 E18 A: B134 HR B21 (BLACK)
E6 E17

1	2
---	---

1	2	3
4	5	6

1	2	3	4	5	6	7			
8	9	10	11	12	13	14	15	16	17
18	19	20	21	22	23	24	25	26	27
28	29	30	31	32		33	34		

1	2	3	4	5	6	7	8	9	10	11
12	13	14	15	16	17	18	19	20	21	22
23	24	25	26	27	28	29	30	31	32	33
34	35	36	37	38	39	40	41			
42	43	44	45	46	47					
48	49	50	51	52	53	54				

C: B136 HR

1	2	3	4	5	6					
7	8	9	10	11	12	13	14	15	16	
17	18	19	20	21	22	23	24	25	26	27
28	29	30		31	32	33	34	35		

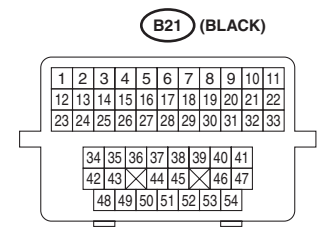
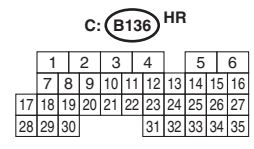
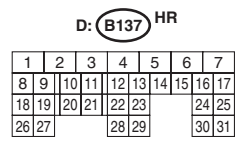
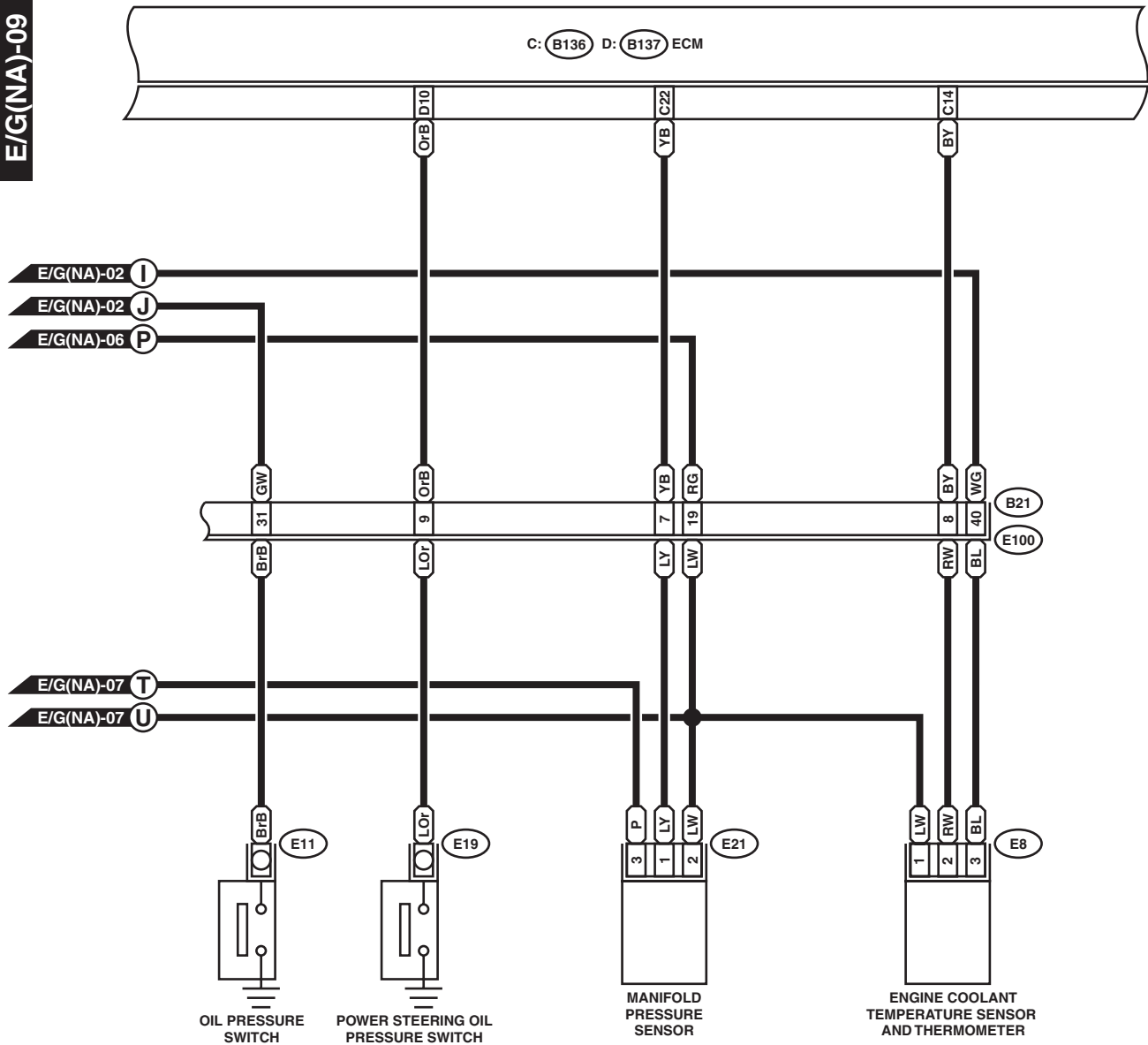
WI-05086

Engine Electrical System

WIRING SYSTEM

E/G(NA)-09

E/G(NA)-09



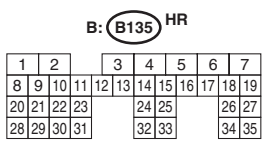
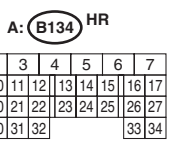
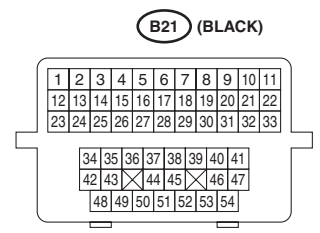
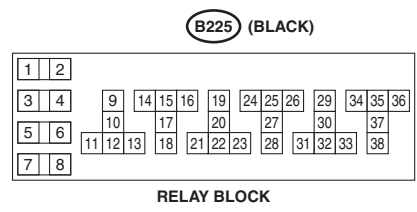
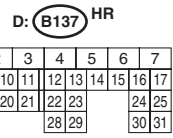
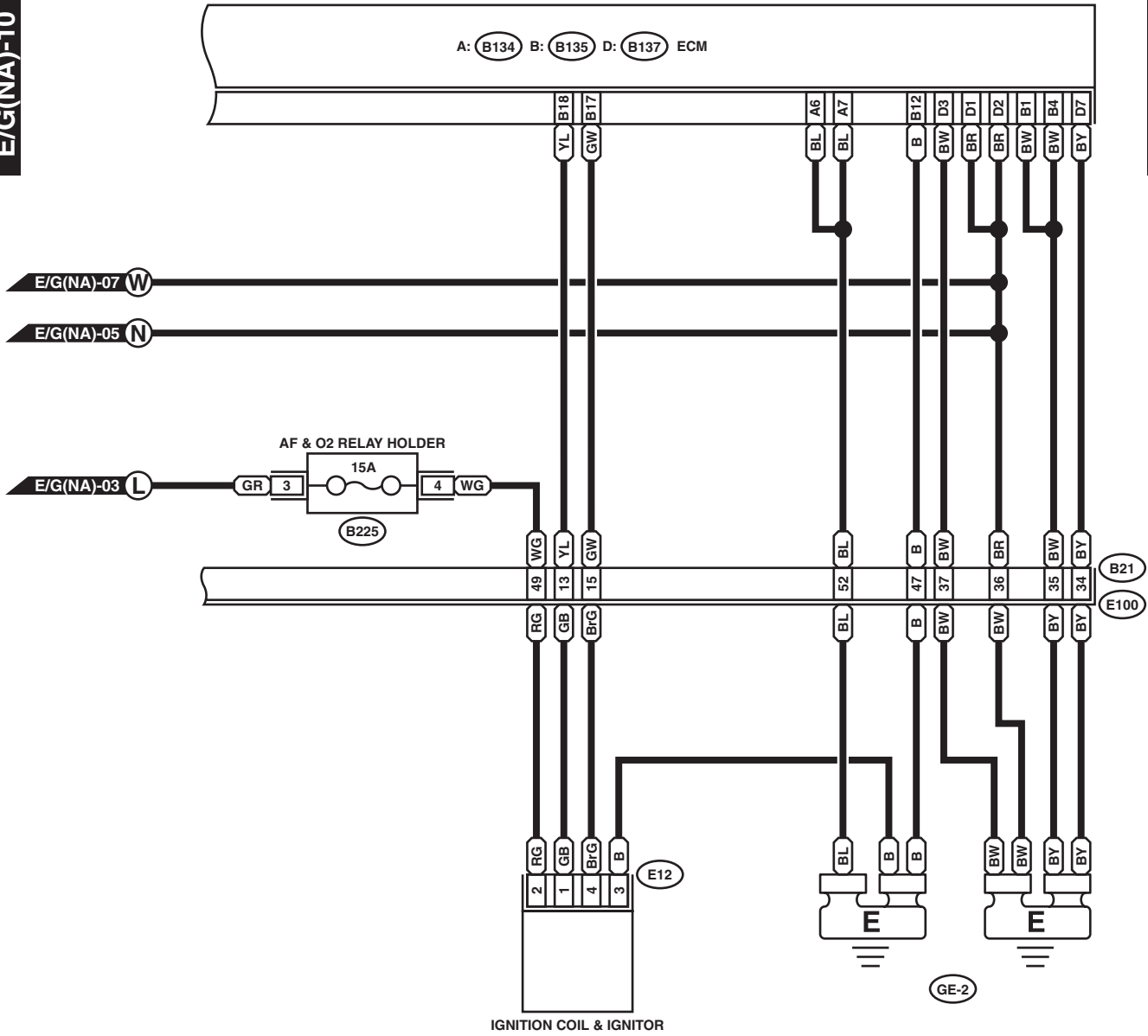
WI-05655

Engine Electrical System

WIRING SYSTEM

E/G(NA)-10

E/G(NA)-10

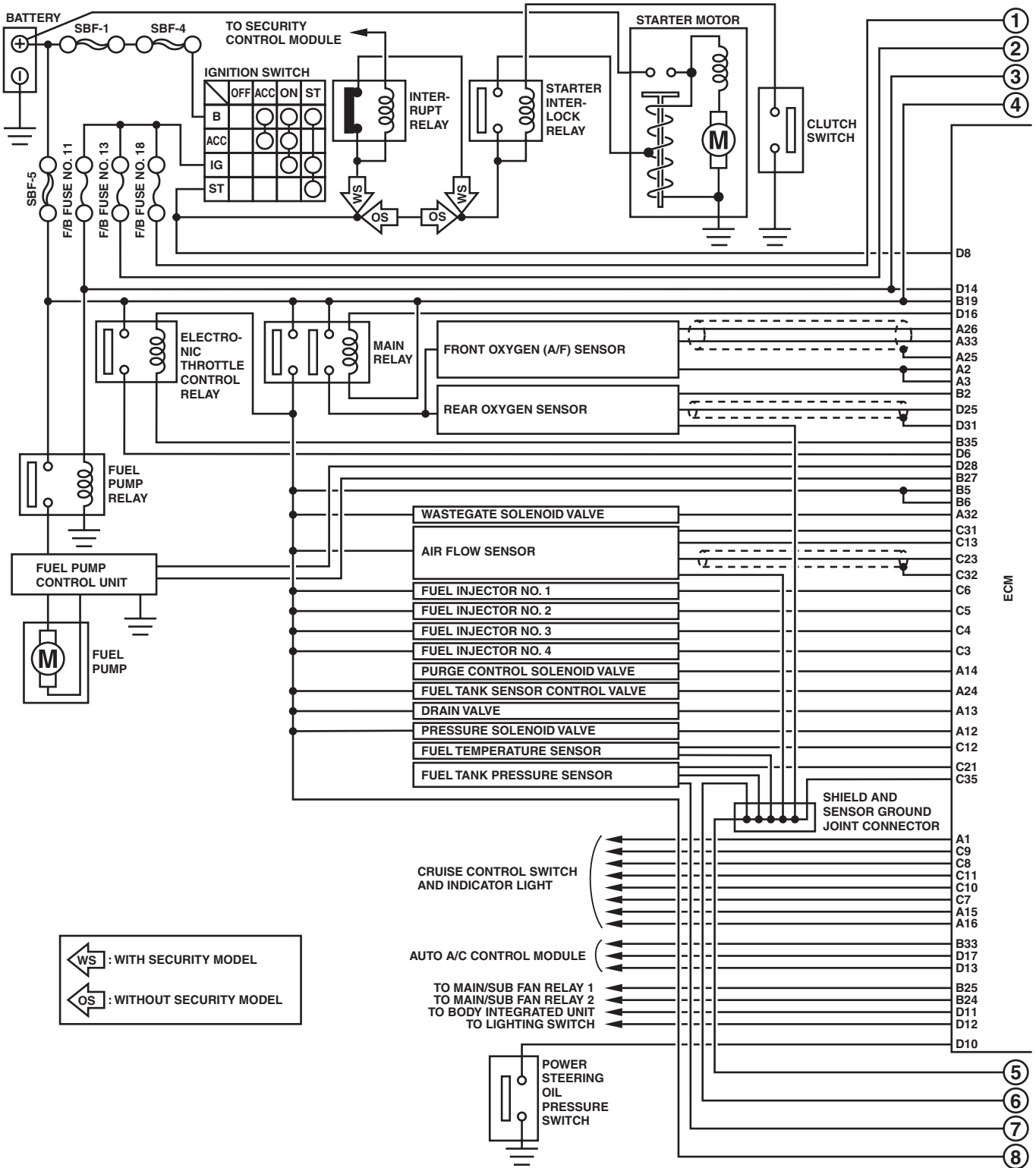


WI-05042

Engine Electrical System

WIRING SYSTEM

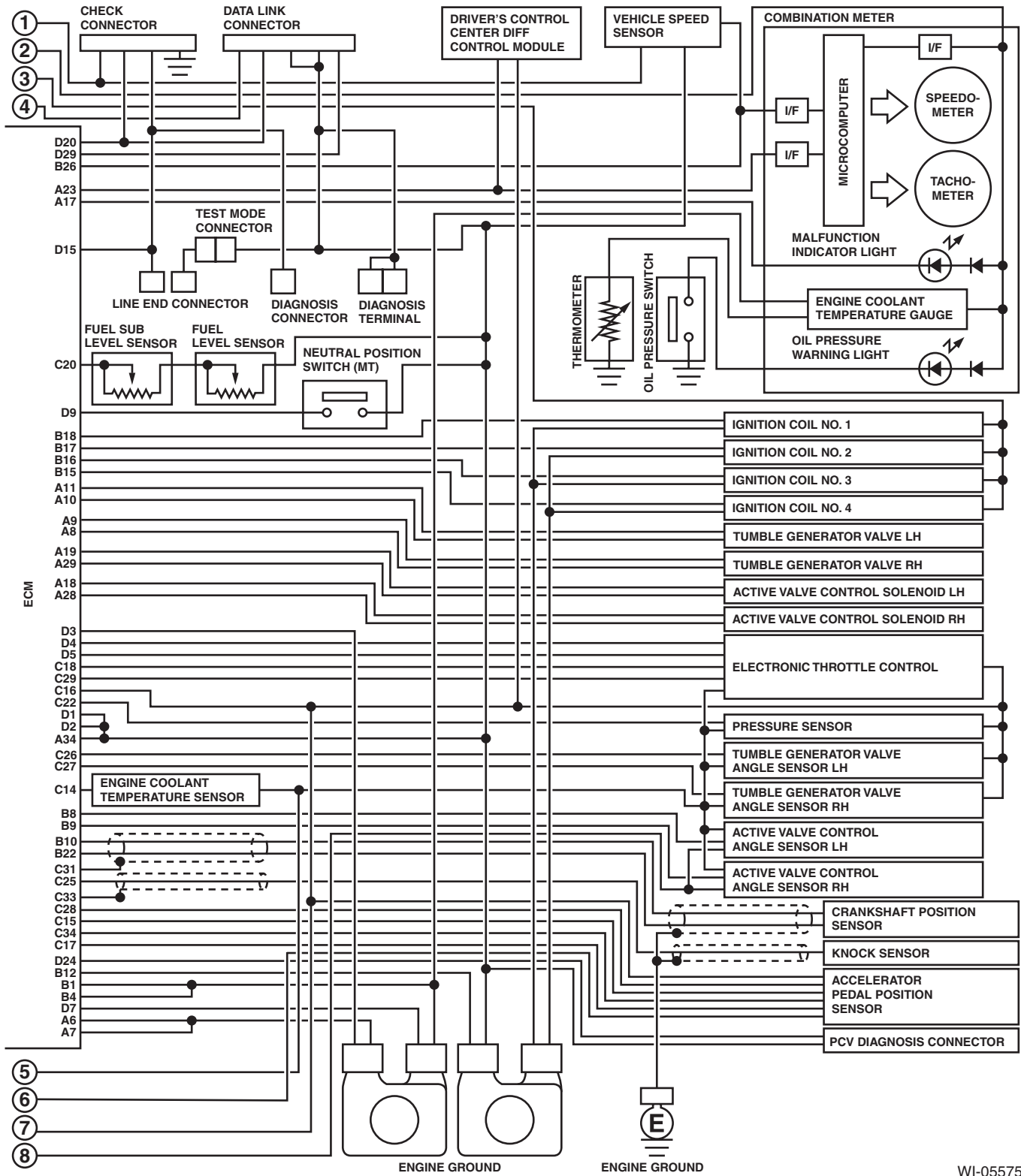
3. STi MODEL



WI-05574

Engine Electrical System

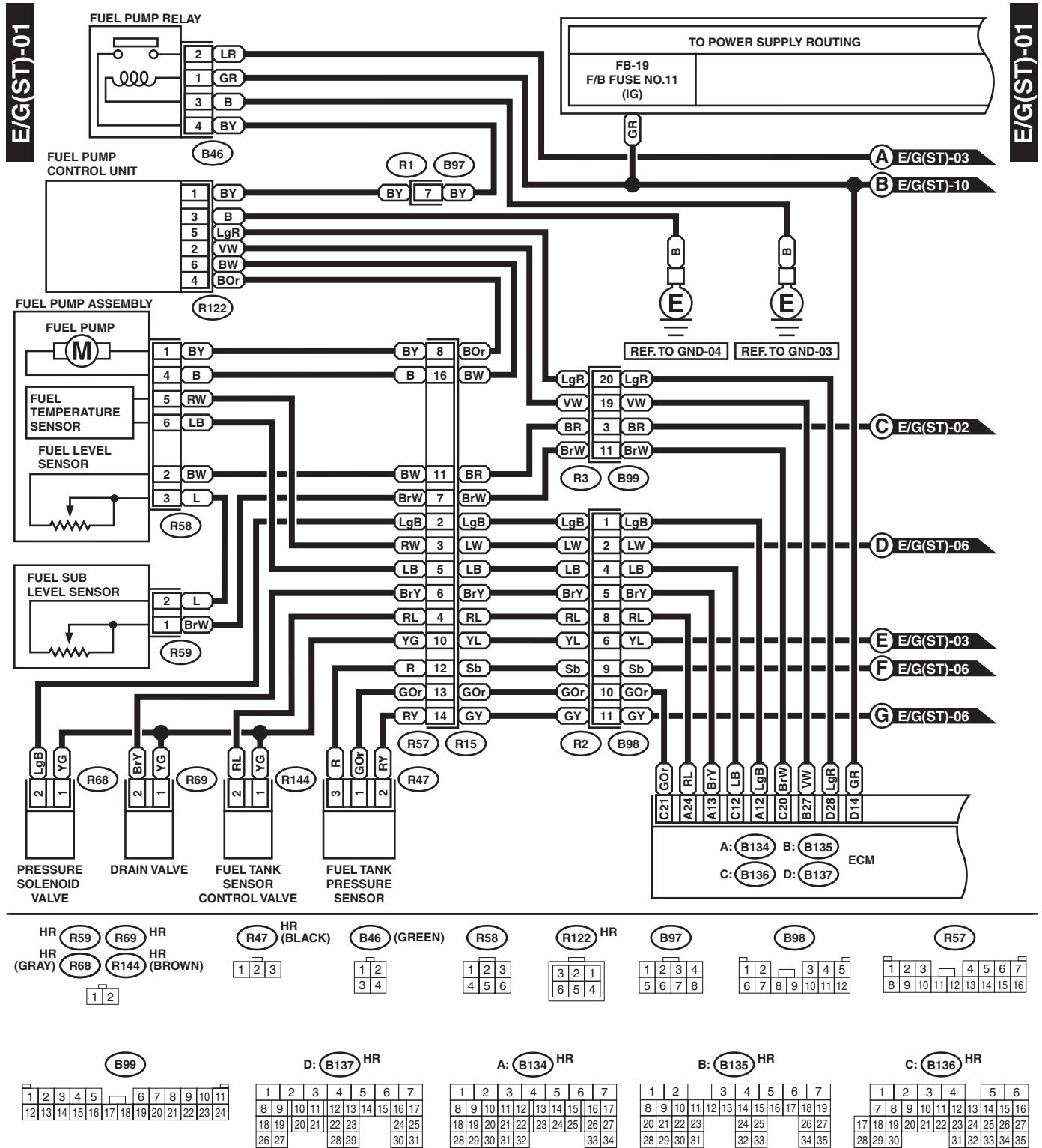
WIRING SYSTEM



WI-05575

Engine Electrical System

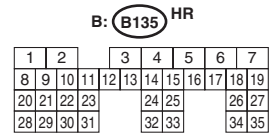
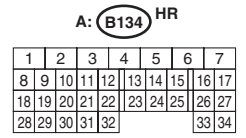
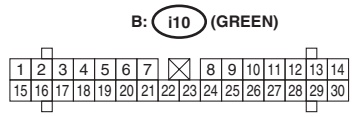
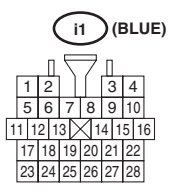
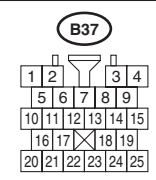
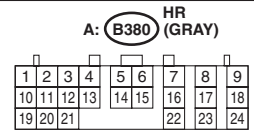
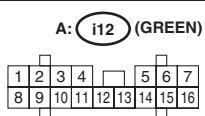
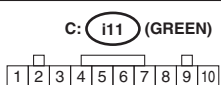
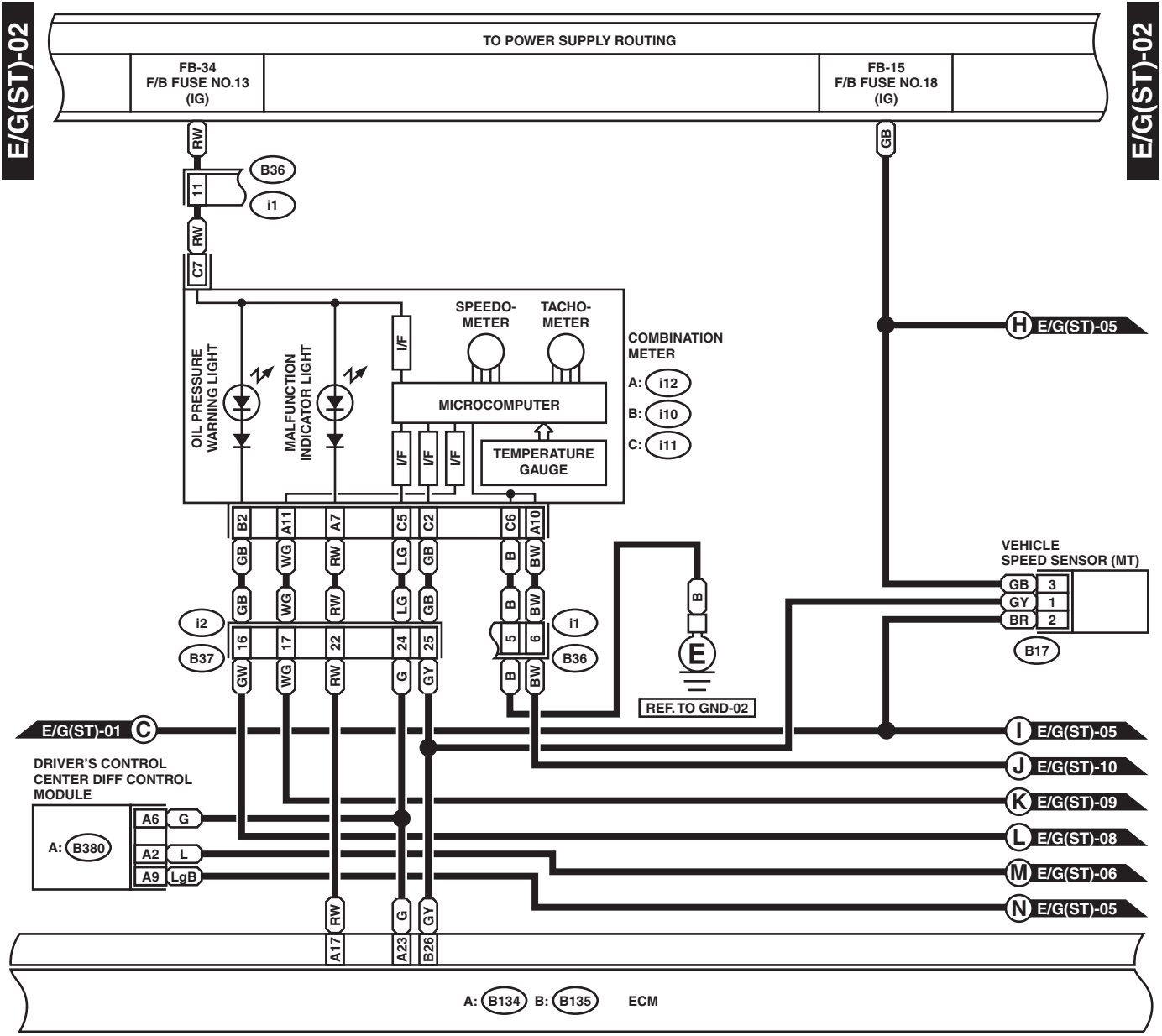
WIRING SYSTEM



WI-05576

Engine Electrical System

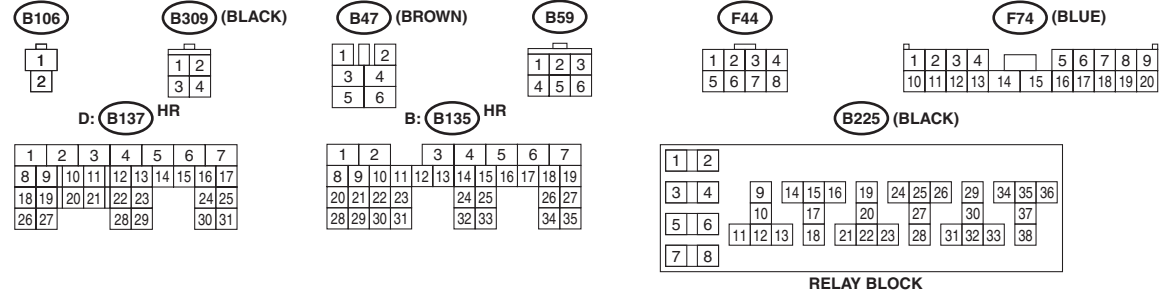
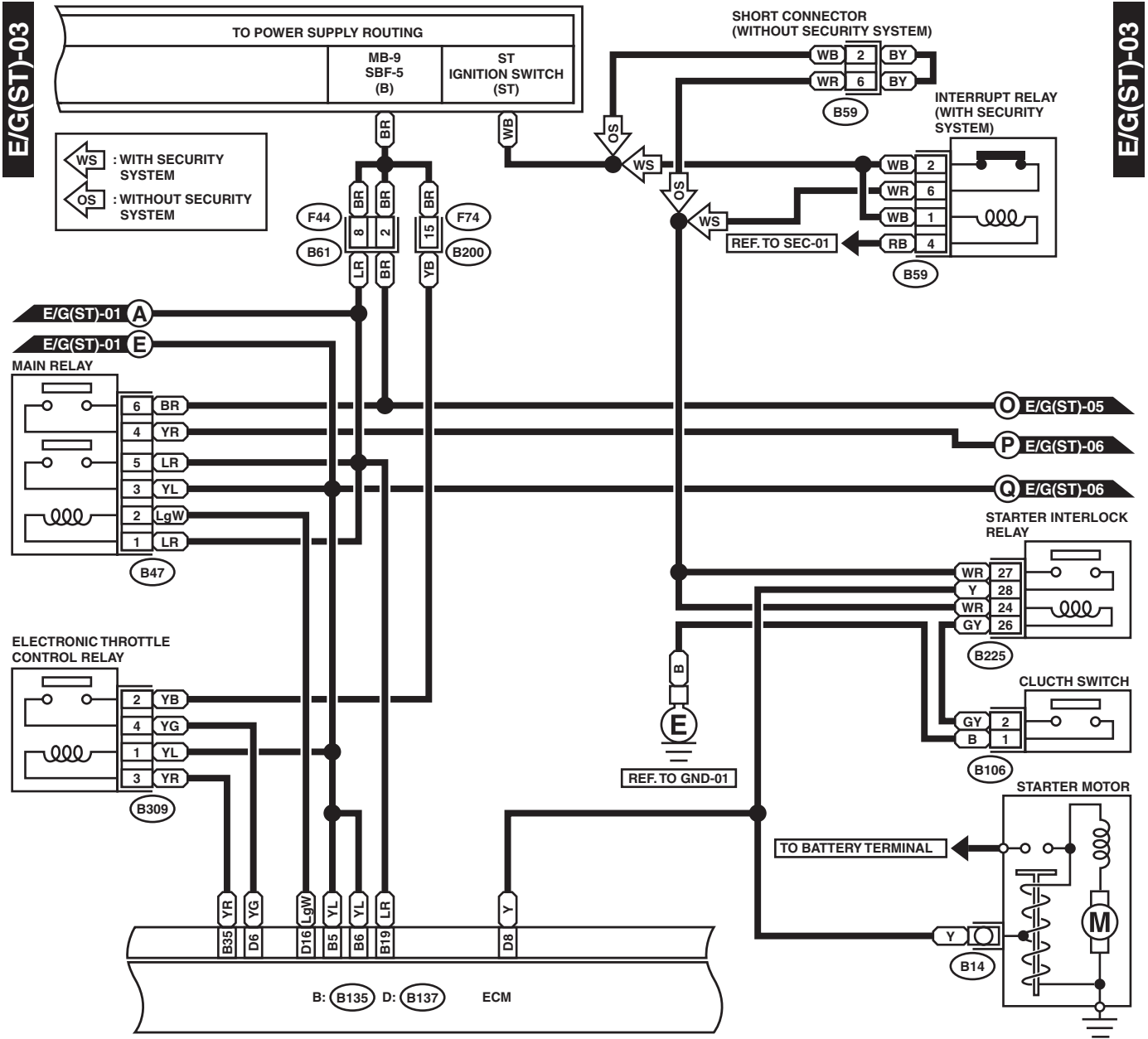
WIRING SYSTEM



WI-05577

Engine Electrical System

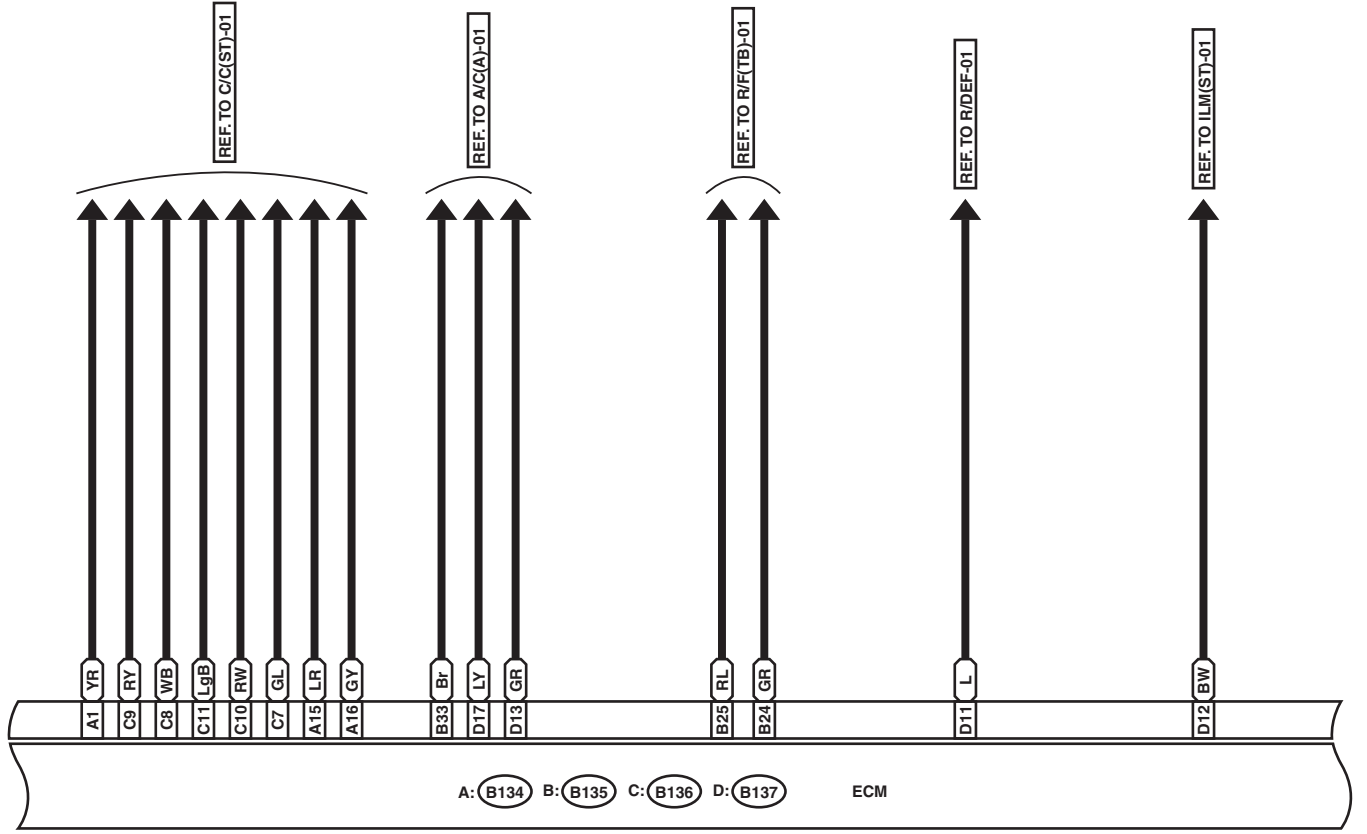
WIRING SYSTEM



WI-05578

E/G(ST)-04

E/G(ST)-04



D: B137 HR

1	2	3	4	5	6	7			
8	9	10	11	12	13	14	15	16	17
18	19	20	21	22	23	24	25		
26	27		28	29	30	31			

A: B134 HR

1	2	3	4	5	6	7			
8	9	10	11	12	13	14	15	16	17
18	19	20	21	22	23	24	25	26	27
28	29	30	31	32		33	34		

B: B135 HR

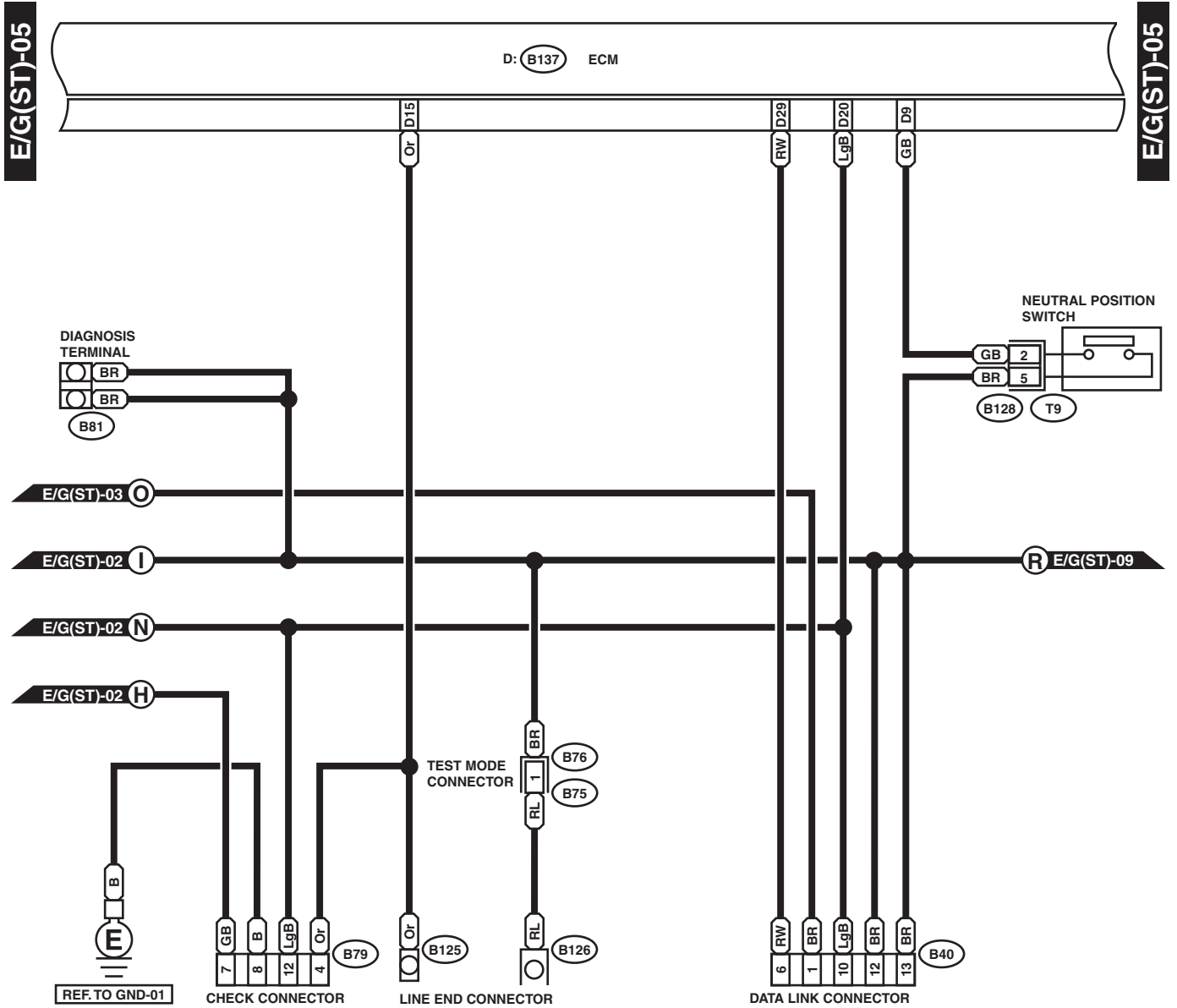
1	2		3	4	5	6	7				
8	9	10	11	12	13	14	15	16	17	18	19
20	21	22	23		24	25		26	27		
28	29	30	31		32	33		34	35		

C: B136 HR

1	2	3	4		5	6					
7	8	9	10	11	12	13	14	15	16		
17	18	19	20	21	22	23	24	25	26	27	
28	29	30			31	32	33	34	35		

Engine Electrical System

WIRING SYSTEM



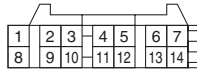
B75 (GREEN)



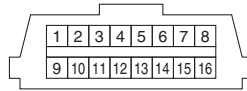
B128 HR



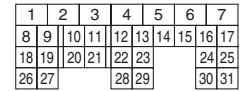
B79 (GRAY)



B40 (BLACK)



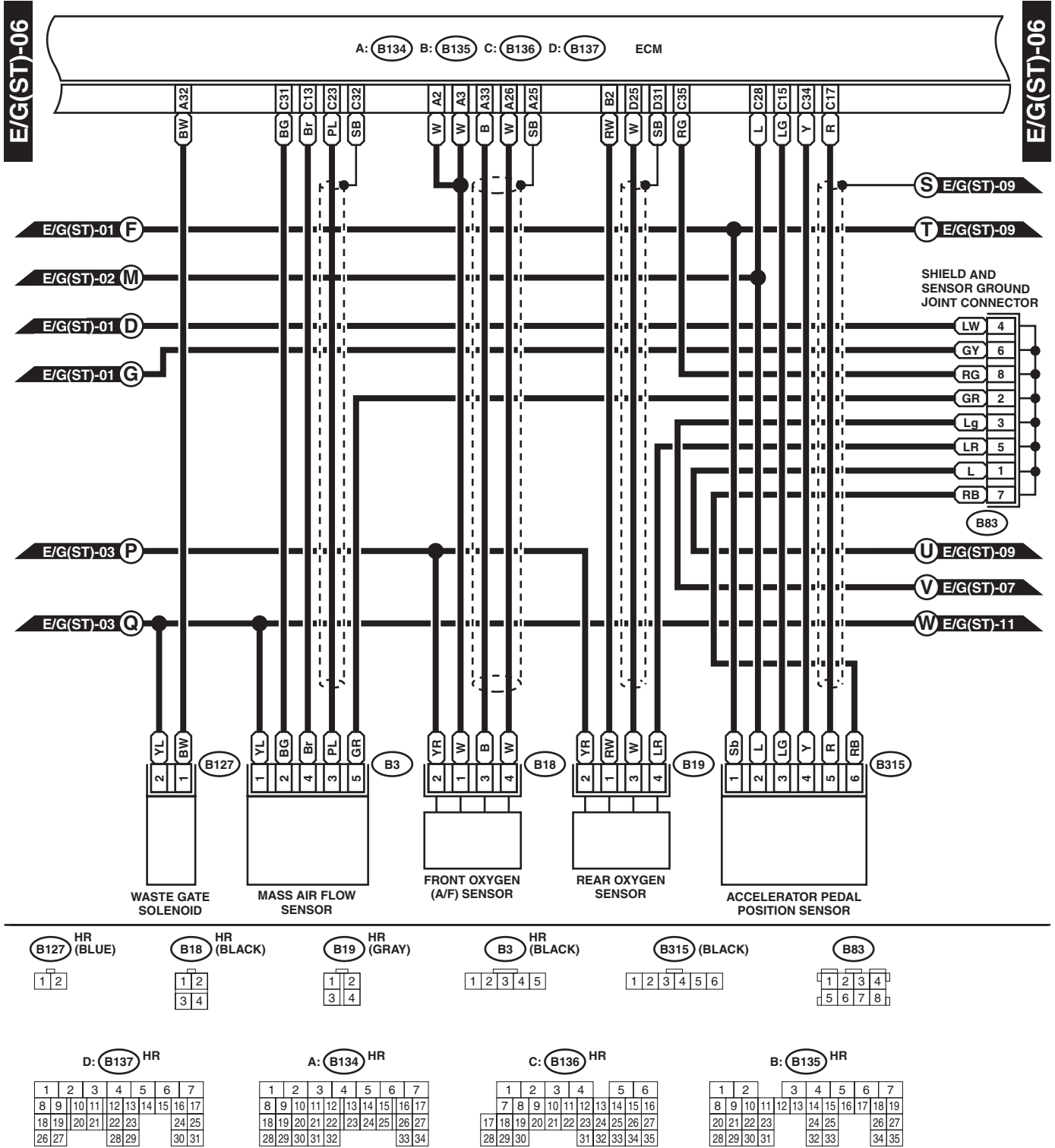
D: B137 HR



WI-05580

Engine Electrical System

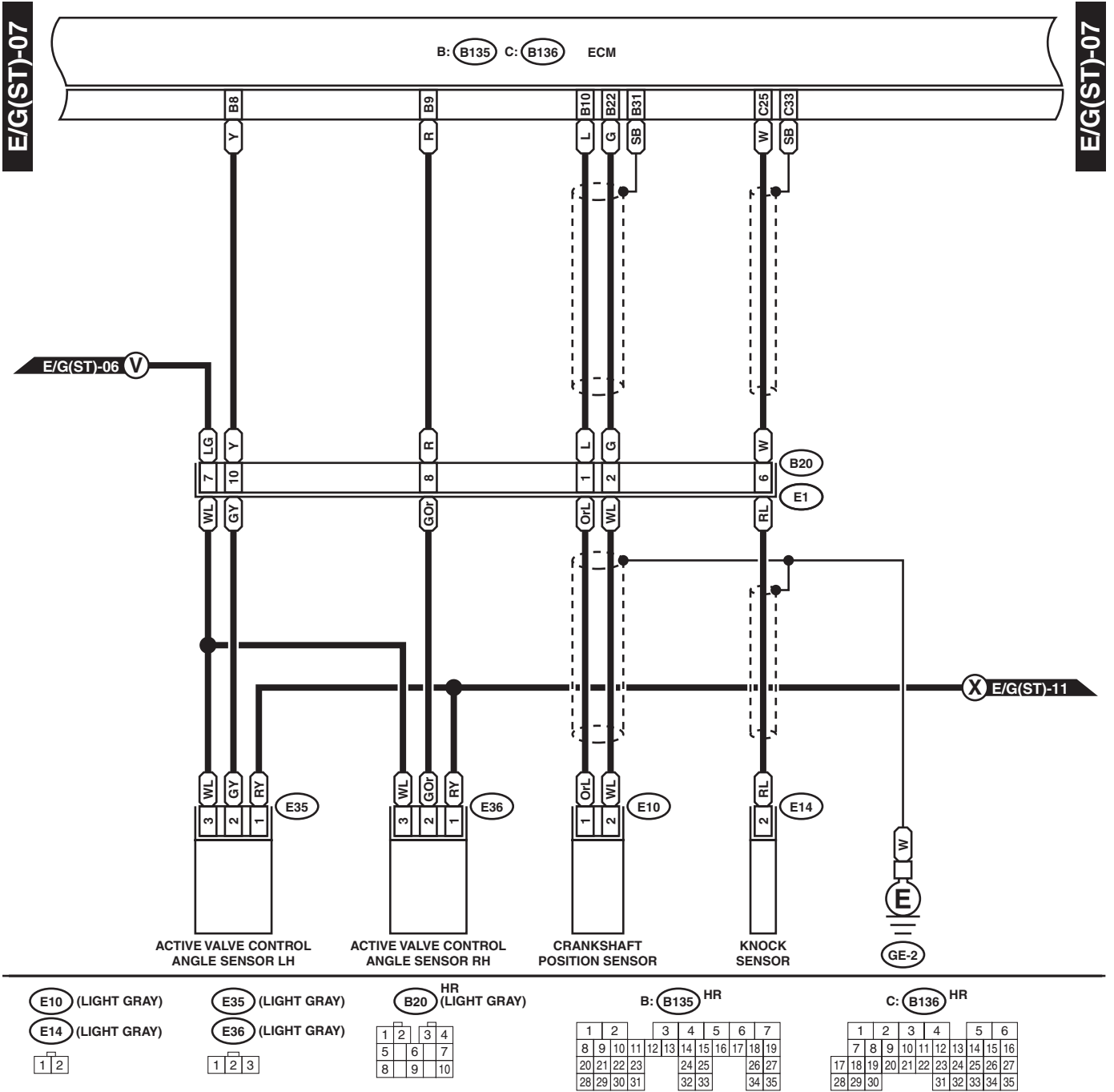
WIRING SYSTEM



WI-05636

Engine Electrical System

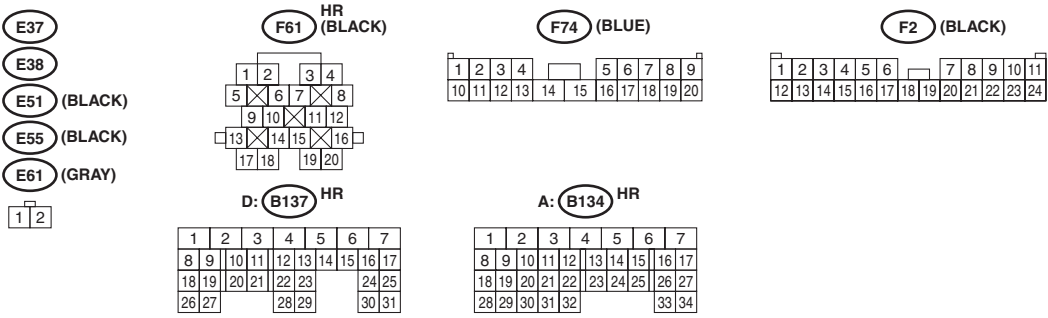
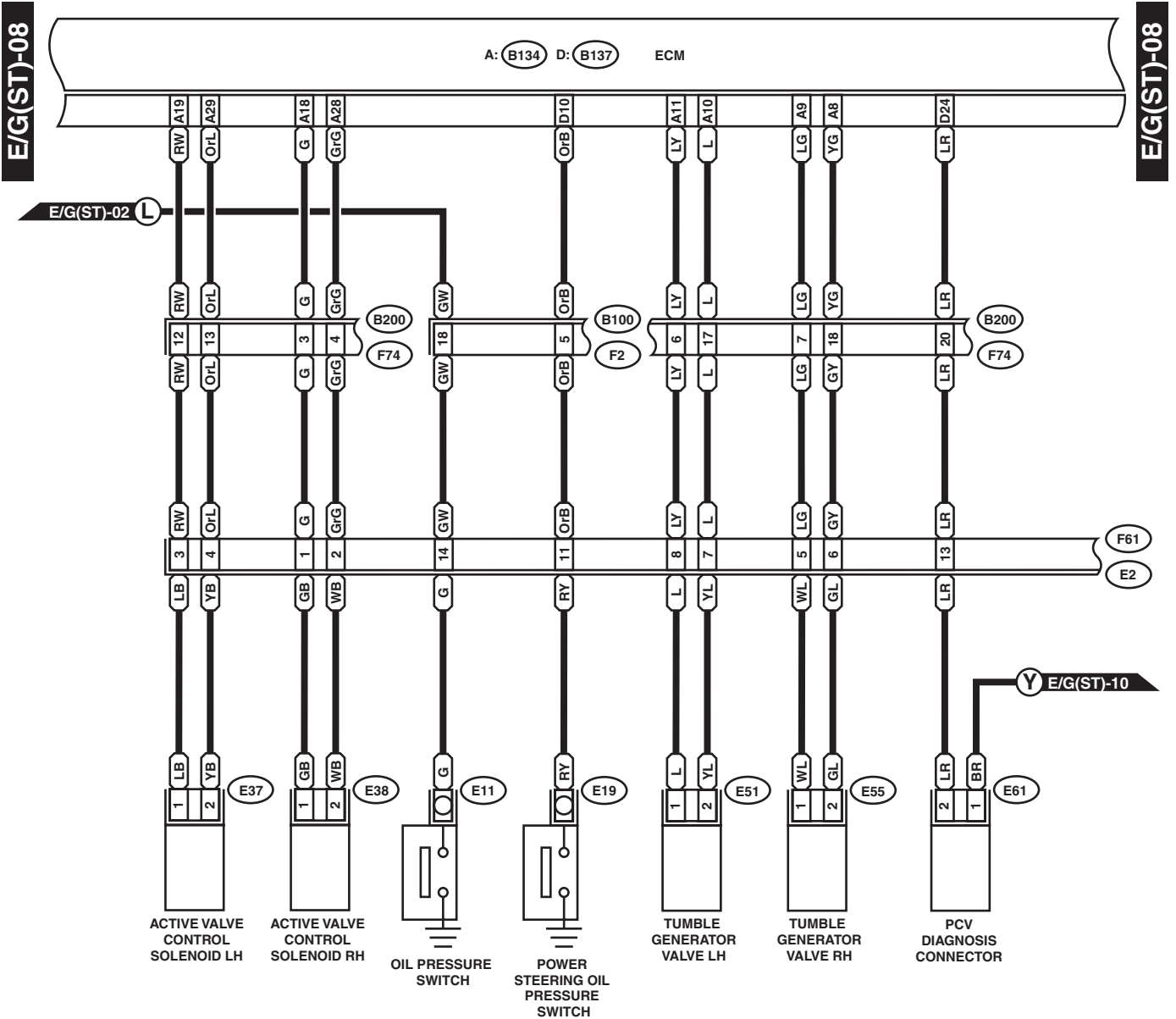
WIRING SYSTEM



WI-05581

Engine Electrical System

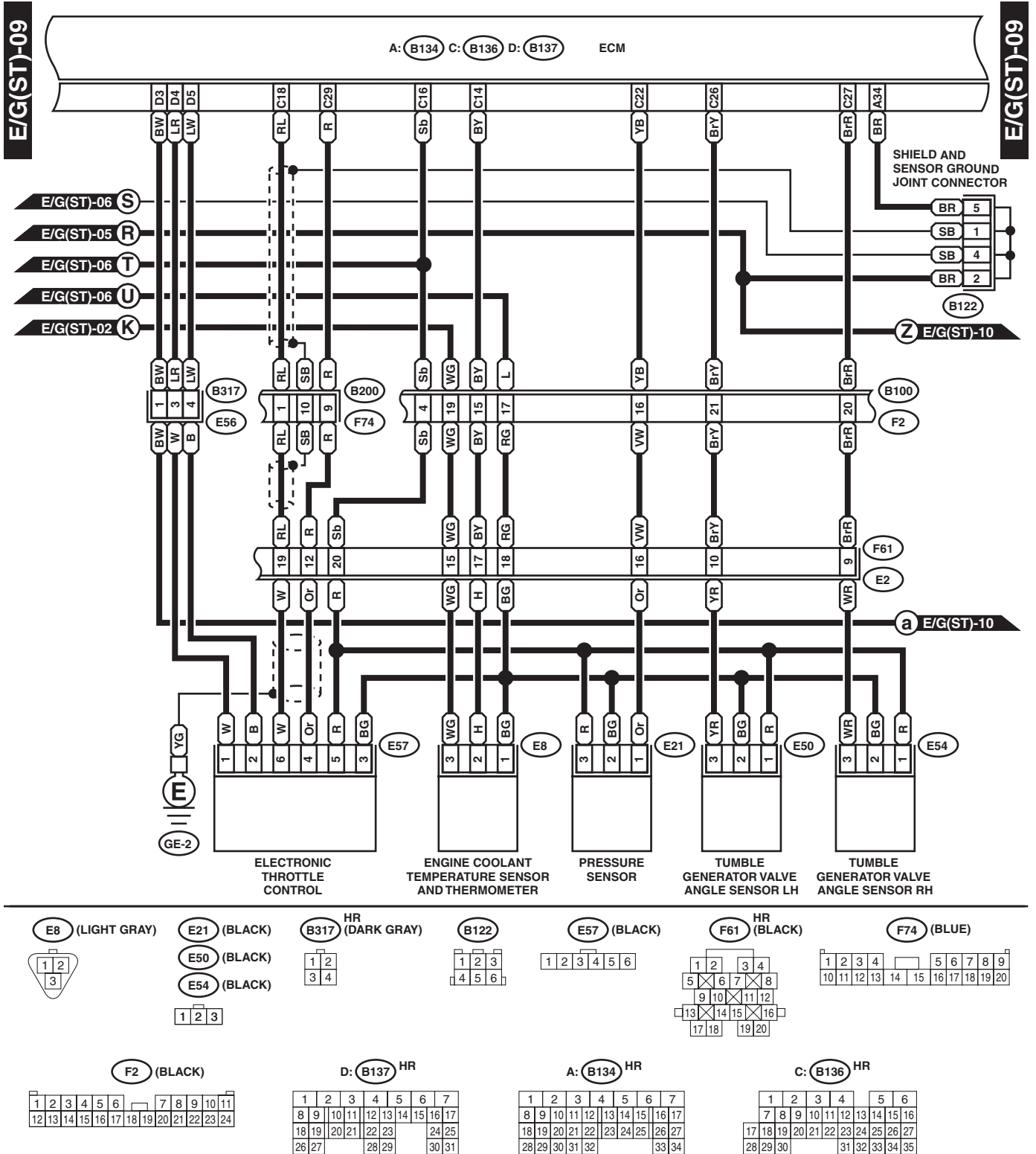
WIRING SYSTEM



WI-05582

Engine Electrical System

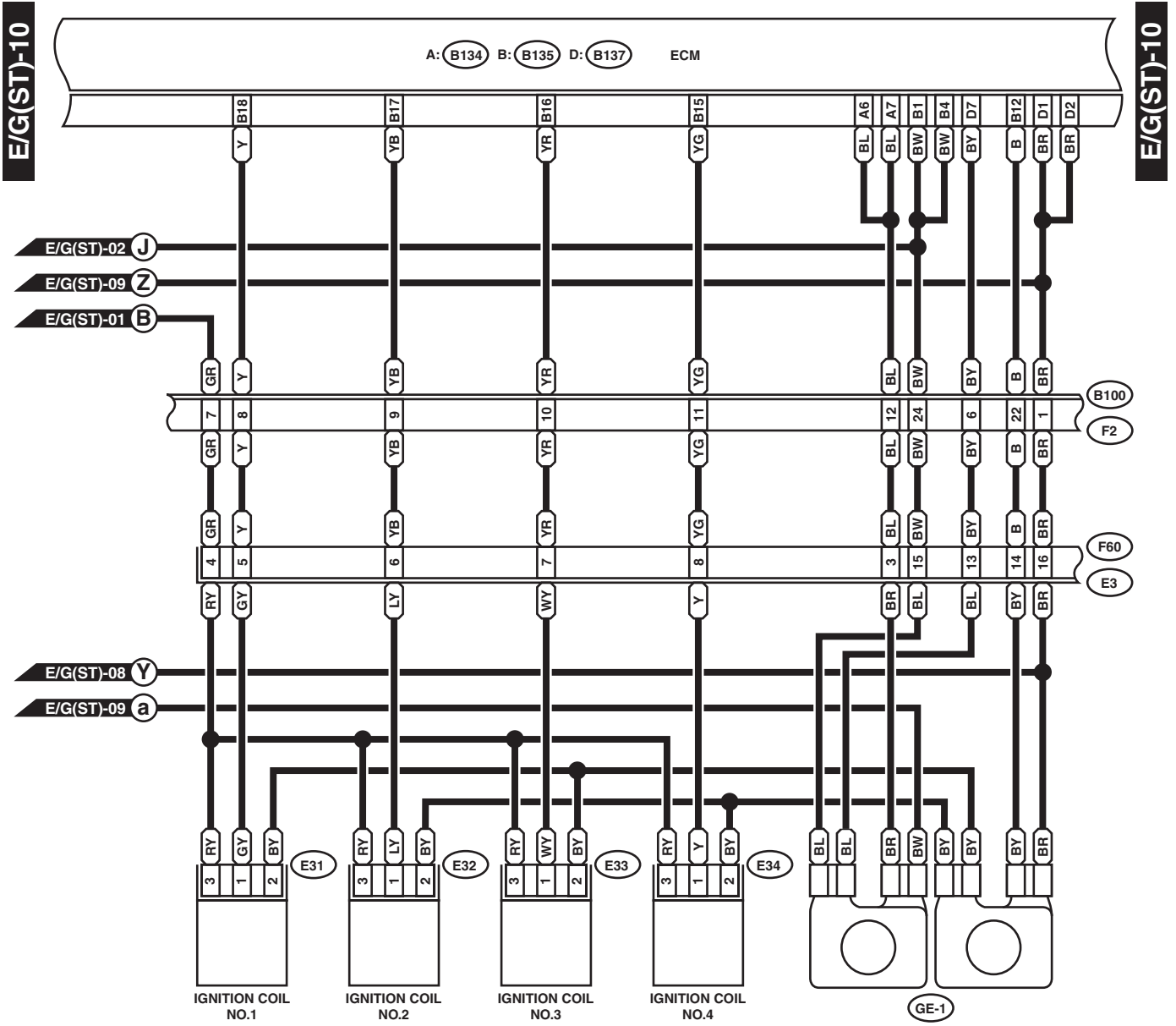
WIRING SYSTEM



WI-05583

Engine Electrical System

WIRING SYSTEM



E31

F60 HR (BROWN)

F2 (BLACK)

D: B137 HR

A: B134 HR

E32
E33 (BLACK)
E34 (BLACK)

1	2	3	4
5	6	7	8
9	10	11	12
13	14	15	16

1	2	3	4	5	6	7	8	9	10	11		
12	13	14	15	16	17	18	19	20	21	22	23	24

1	2	3	4	5	6	7			
8	9	10	11	12	13	14	15	16	17
18	19	20	21	22	23	24	25		
26	27	28	29	30	31				

1	2	3	4	5	6	7			
8	9	10	11	12	13	14	15	16	17
18	19	20	21	22	23	24	25	26	27
28	29	30	31	32	33	34			

B: B135 HR

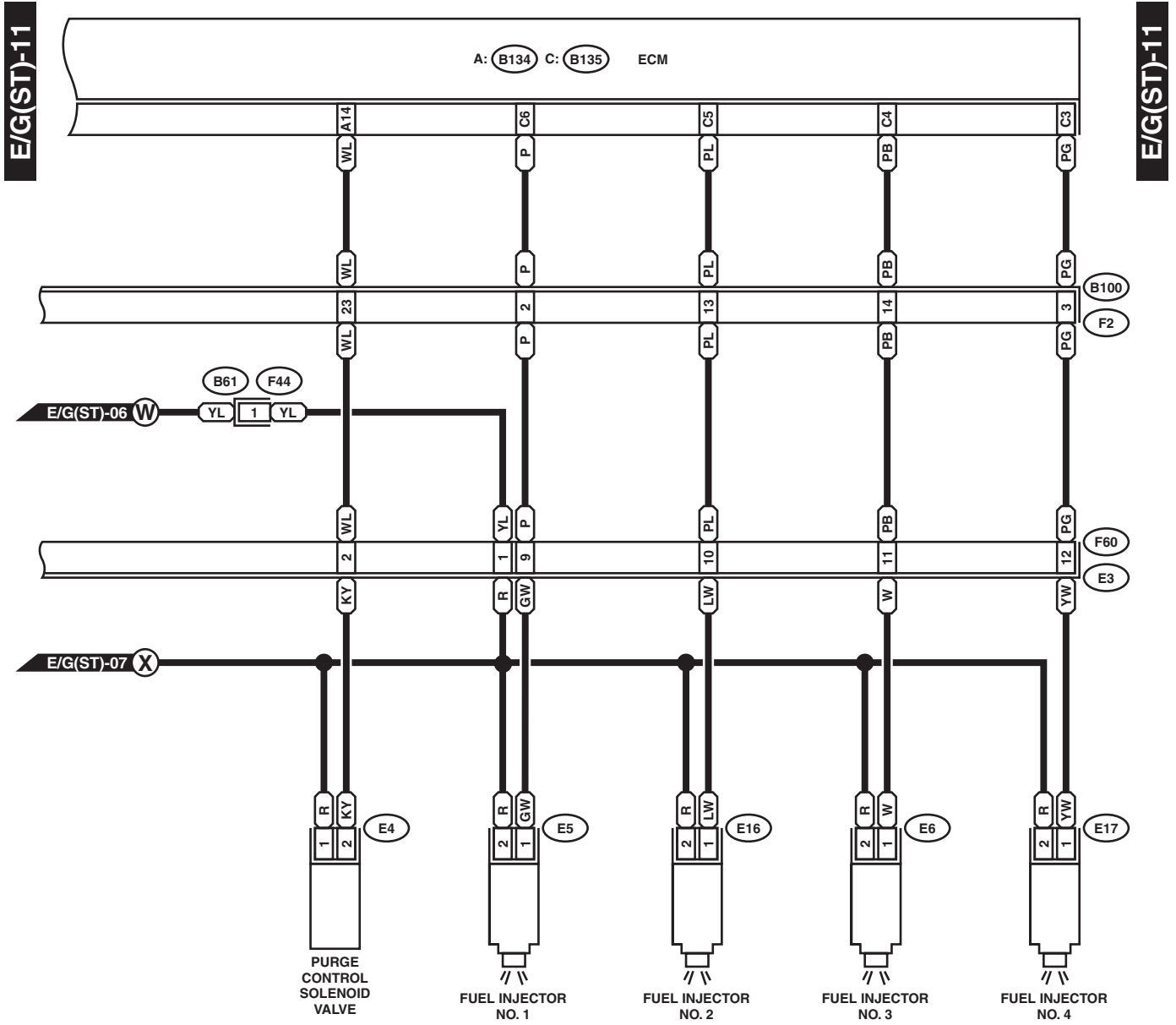
1
2
3

1	2	3	4	5	6	7					
8	9	10	11	12	13	14	15	16	17	18	19
20	21	22	23	24	25	26	27				
28	29	30	31	32	33	34	35				

WI-05584

Engine Electrical System

WIRING SYSTEM



- (E5) (DARK GRAY)
- (E6) (DARK GRAY)
- (E16) (DARK GRAY)
- (E17) (DARK GRAY)

- (E4) (BLACK)

- (F44)

- (F60) HR (BROWN)

- (F2) (BLACK)

A: (B134) HR

1	2	3	4	5	6	7
8	9	10	11	12	13	14
15	16	17	18	19	20	21
22	23	24	25	26	27	
28	29	30	31	32	33	34

C: (B136) HR

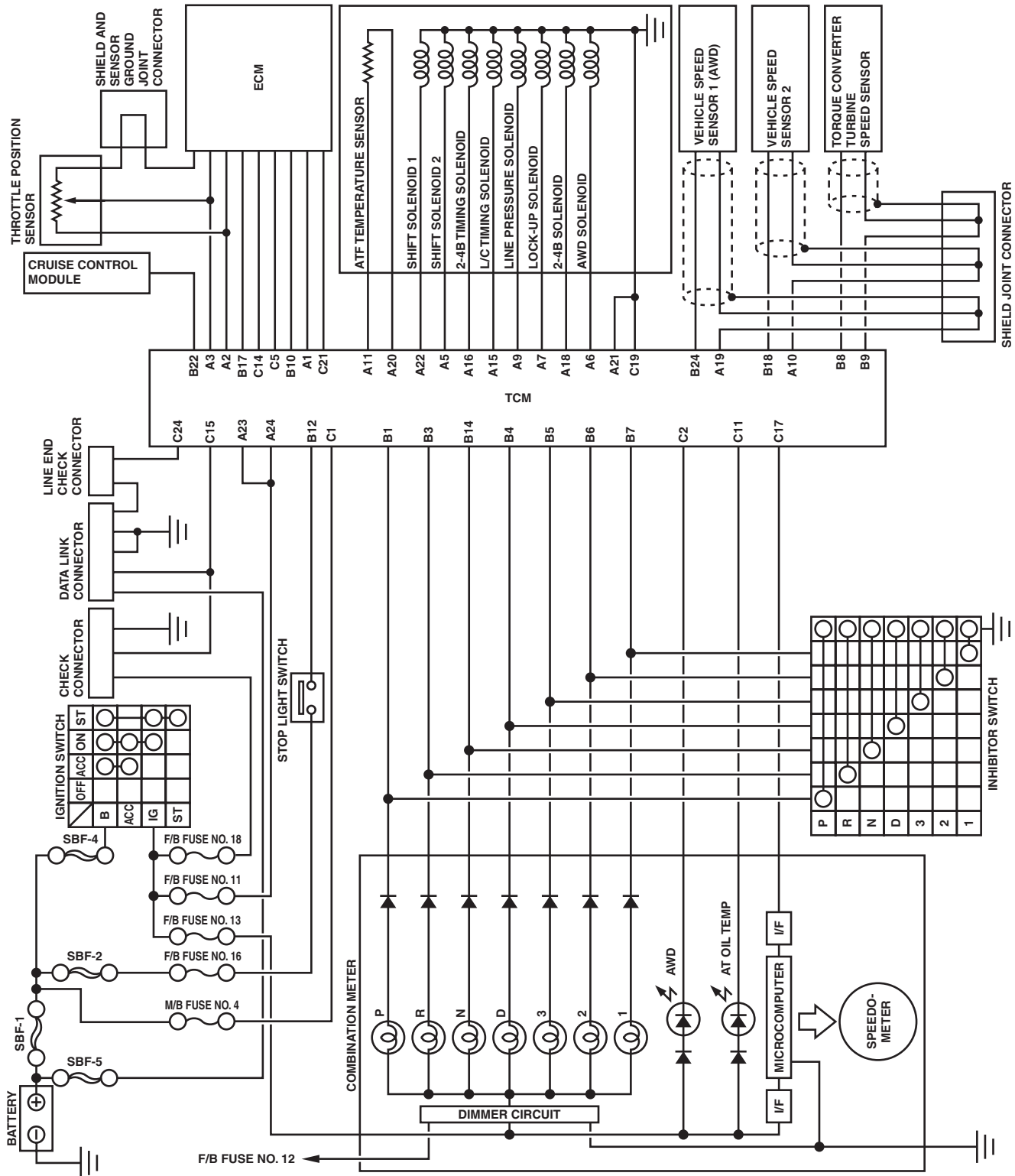
1	2	3	4	5	6
7	8	9	10	11	12
13	14	15	16	17	18
19	20	21	22	23	24
25	26	27	28	29	30
31	32	33	34	35	

WI-05585

6. AT Control System

A: WIRING DIAGRAM

1. TURBO MODEL



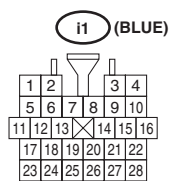
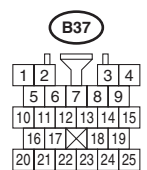
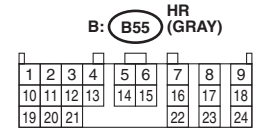
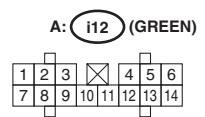
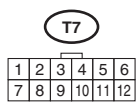
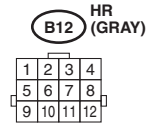
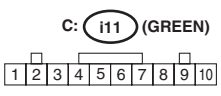
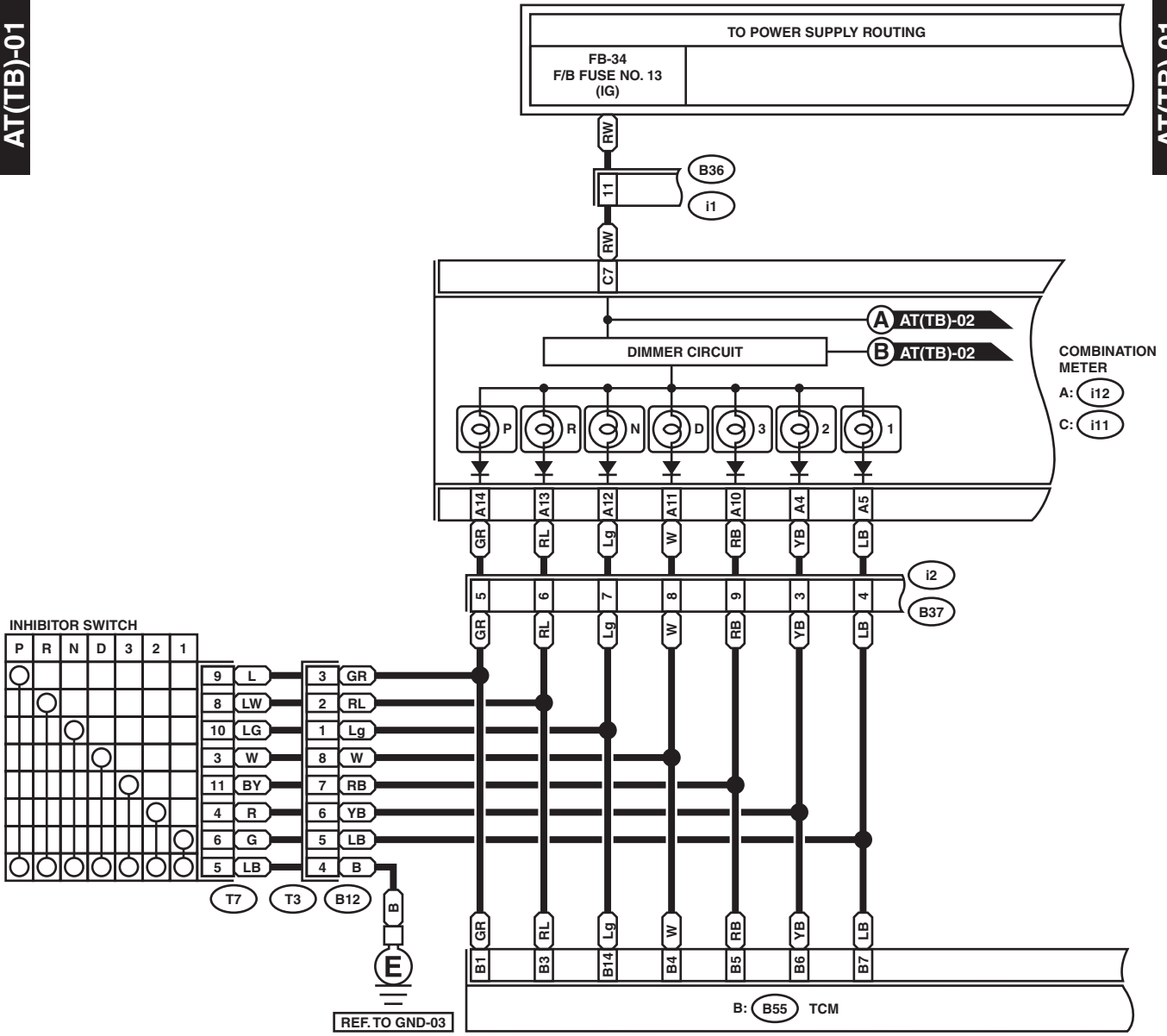
WI-05542

AT Control System

WIRING SYSTEM

AT(TB)-01

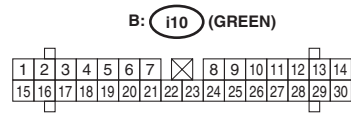
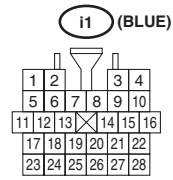
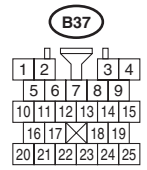
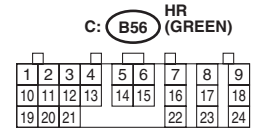
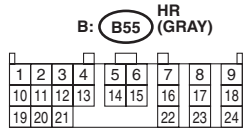
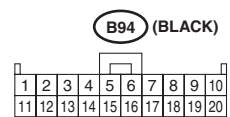
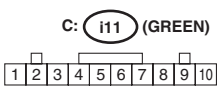
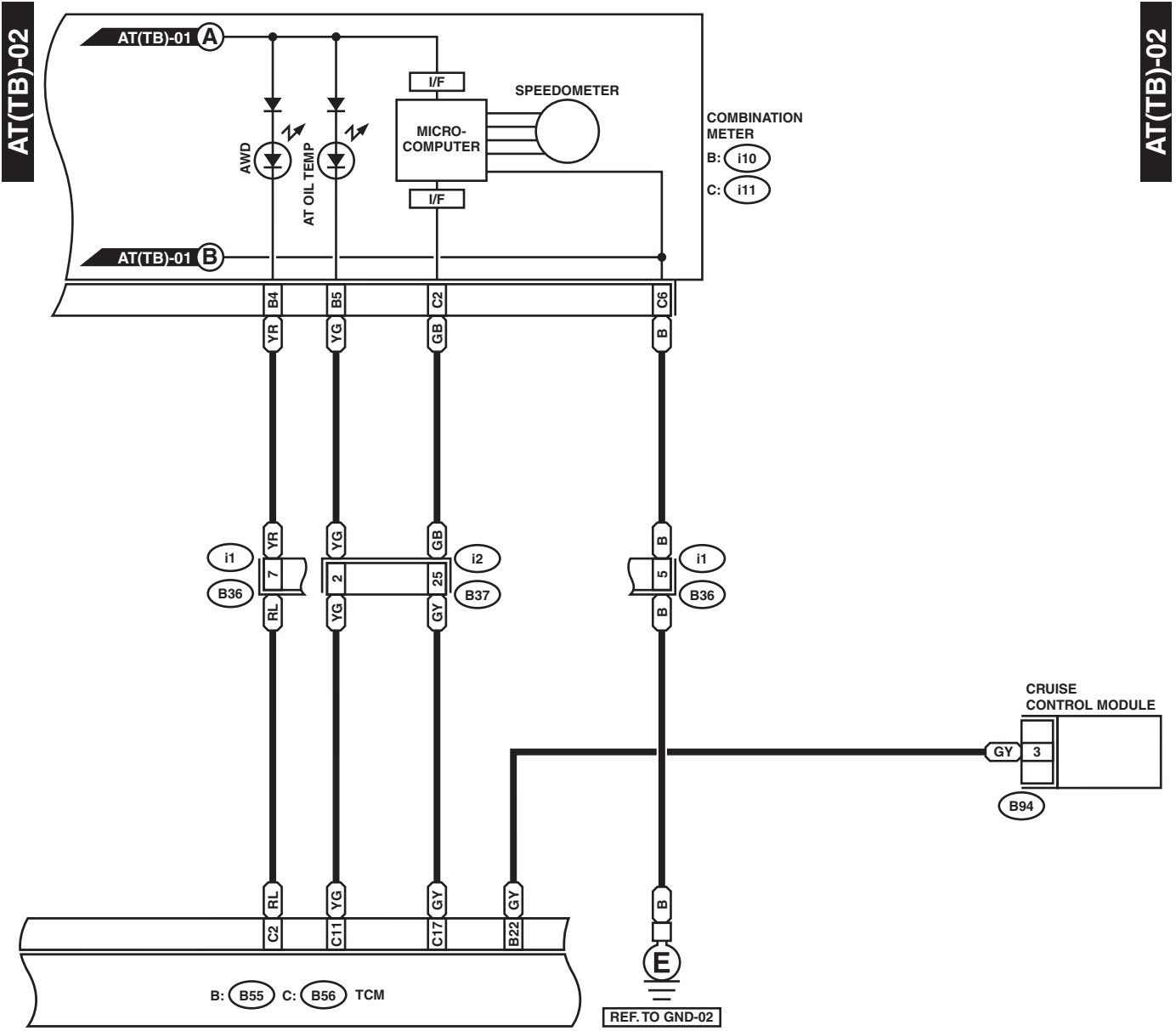
AT(TB)-01



WI-05543

AT Control System

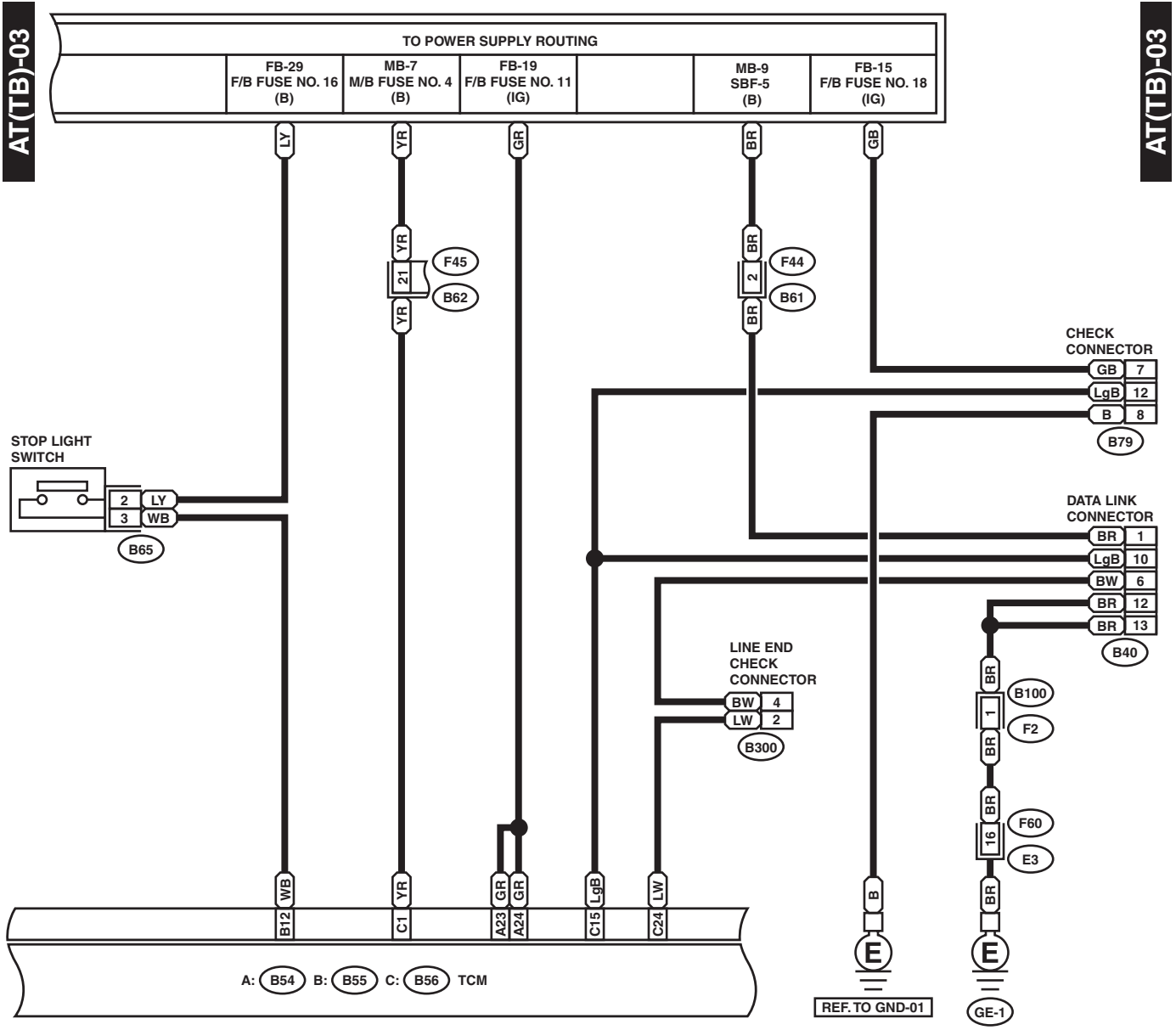
WIRING SYSTEM



WI-05544

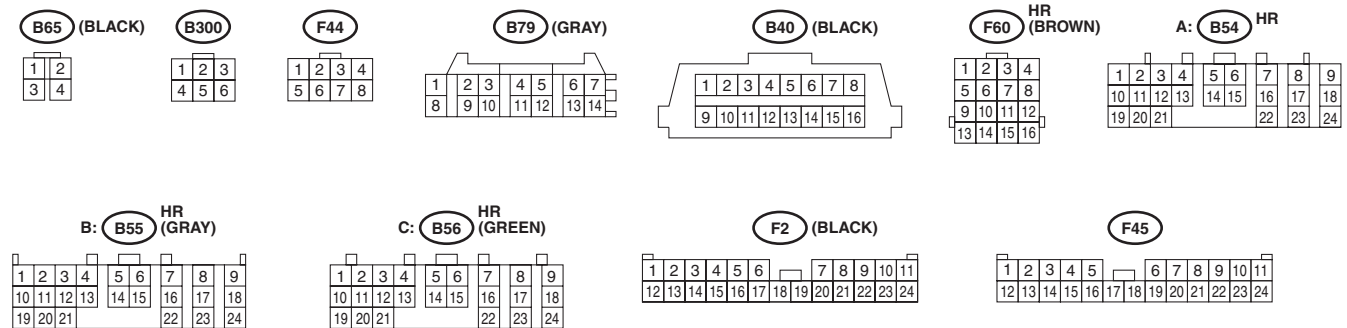
AT Control System

WIRING SYSTEM



AT(TB)-03

AT(TB)-03



WI-05545

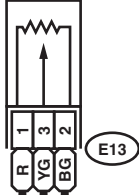
AT Control System

WIRING SYSTEM

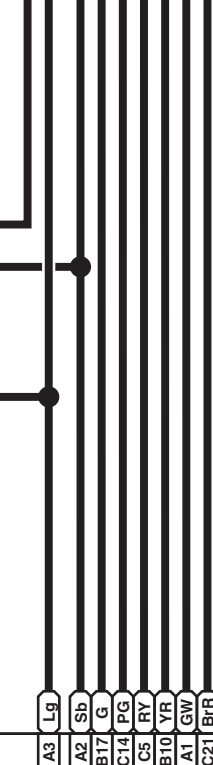
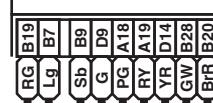
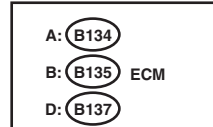
AT(TB)-04

AT(TB)-04

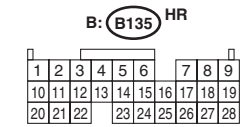
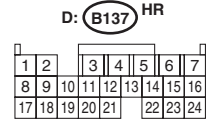
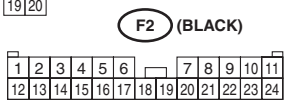
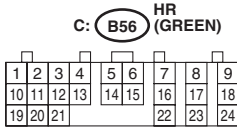
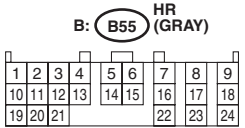
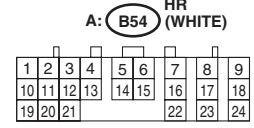
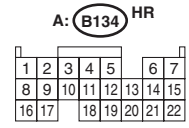
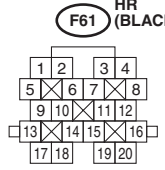
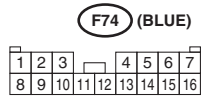
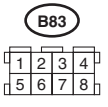
THROTTLE POSITION SENSOR



SHIELD AND SENSOR GROUND JOINT CONNECTOR



A: B54 B: B55 C: B56 TCM



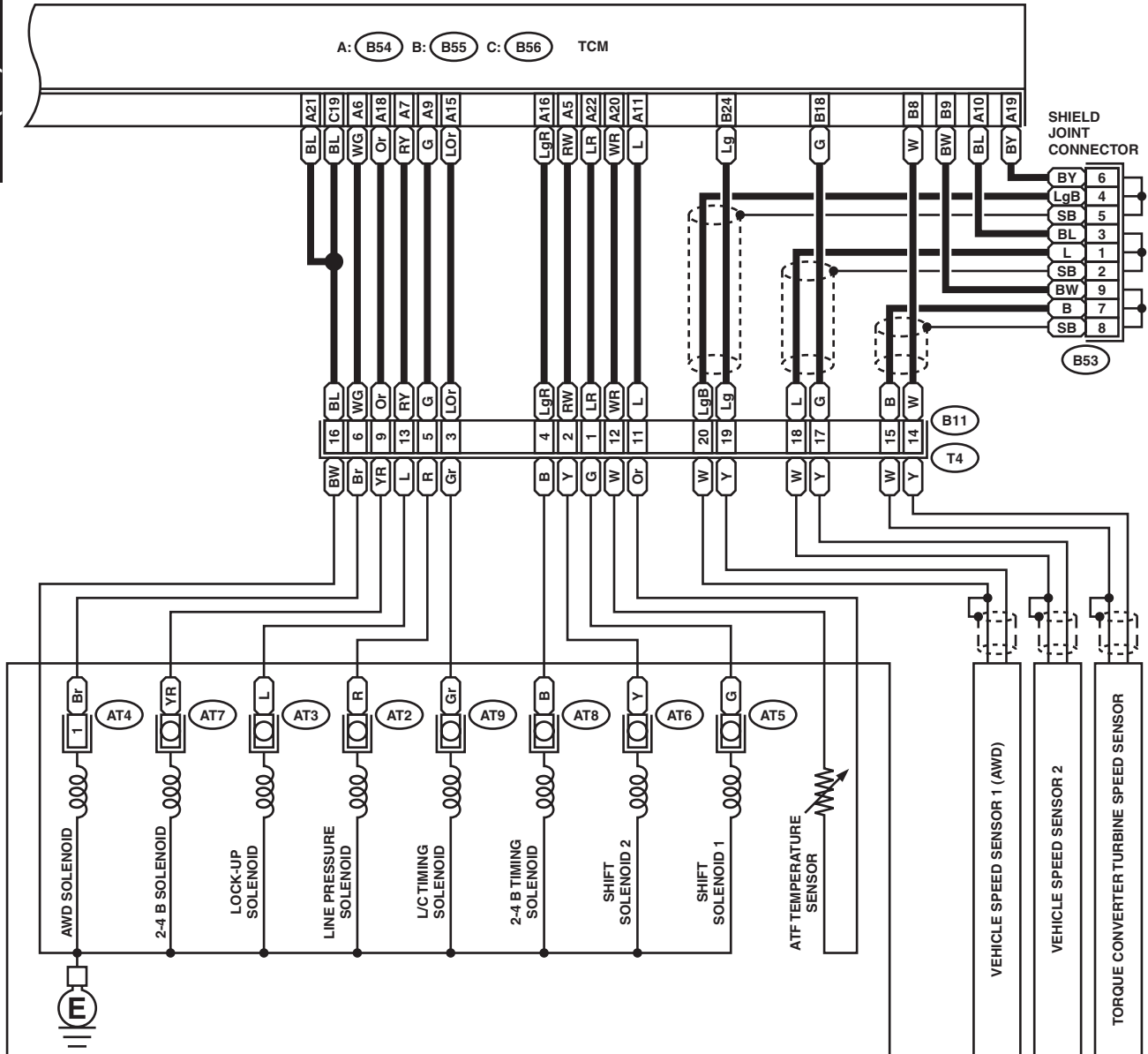
WI-05546

AT Control System

WIRING SYSTEM

AT(TB)-05

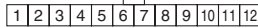
AT(TB)-05



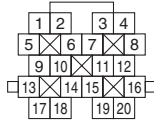
AT4 (BROWN)



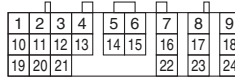
B53 (BLACK)



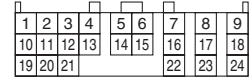
B11 (BLACK) HR



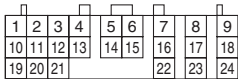
A: B54 (HR)



B: B55 (GRAY) HR

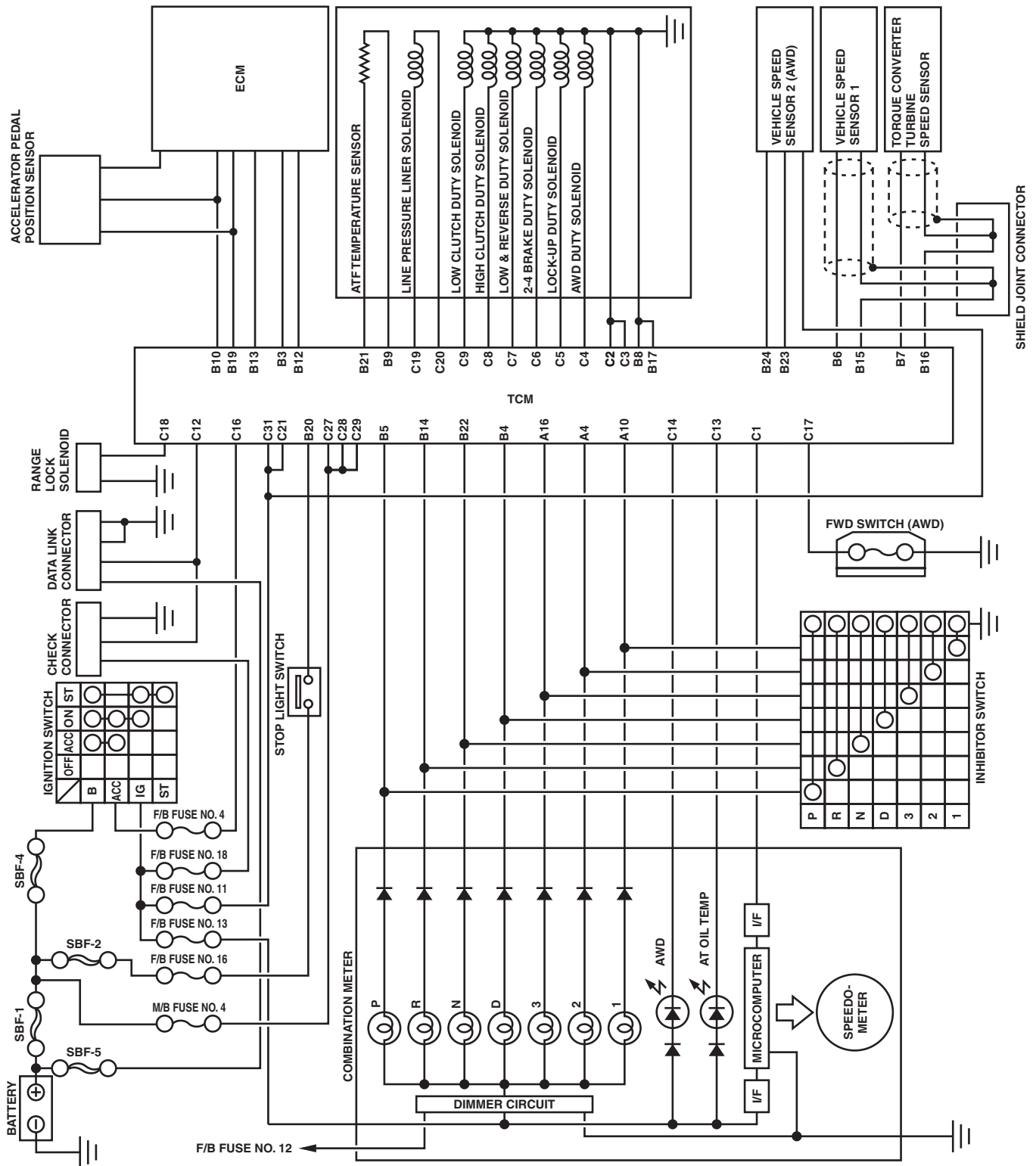


C: B56 (GREEN) HR



WI-05547

2. NON-TURBO MODEL



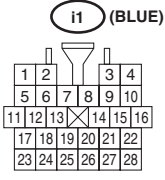
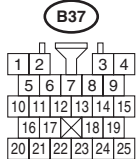
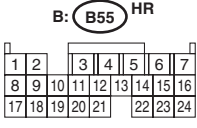
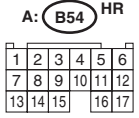
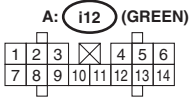
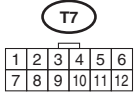
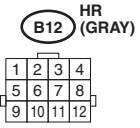
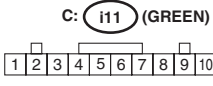
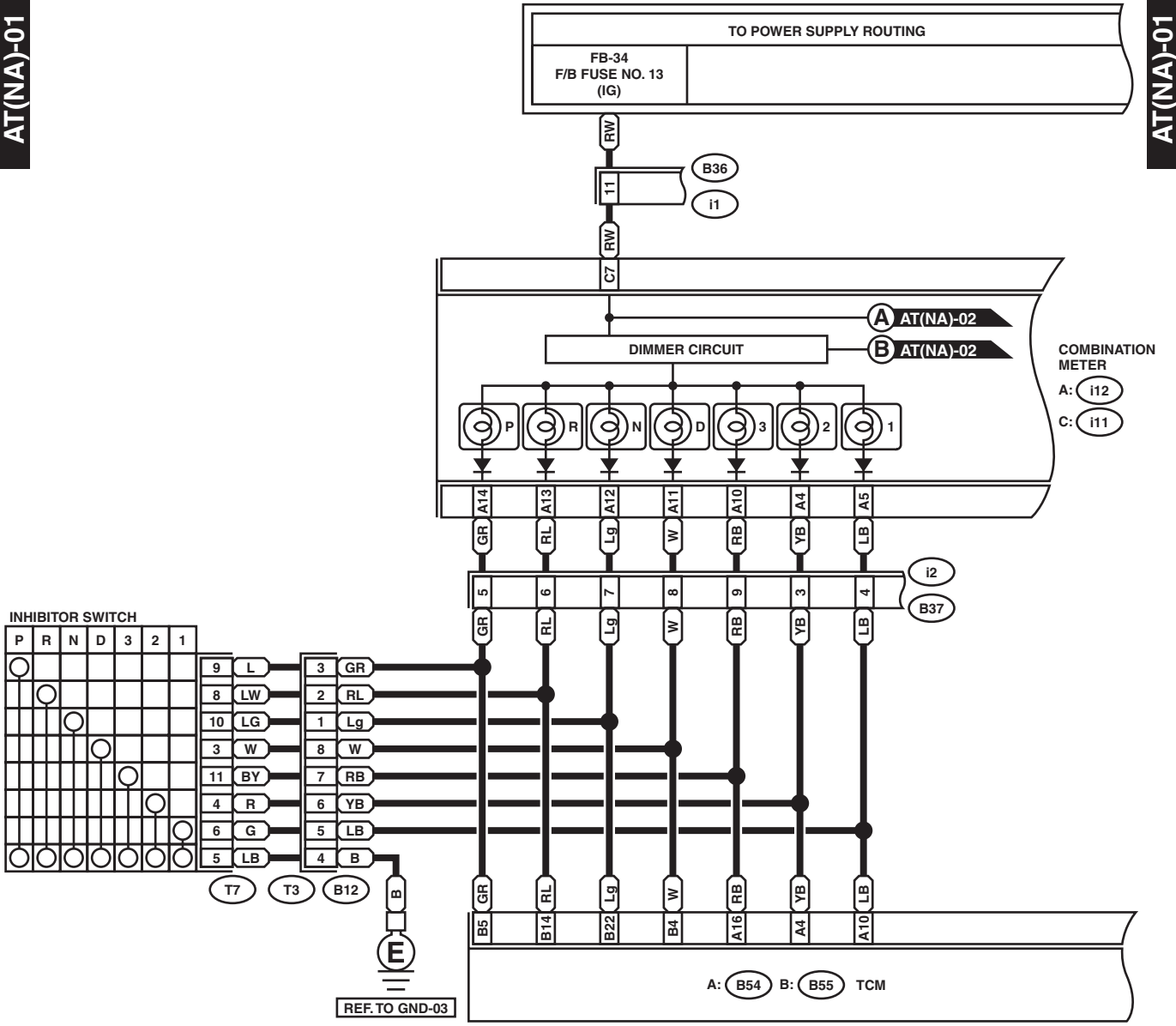
WI-05548

AT Control System

WIRING SYSTEM

AT(NA)-01

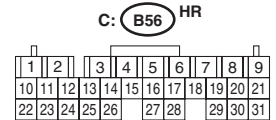
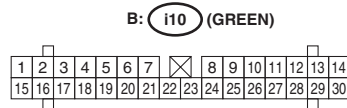
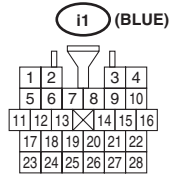
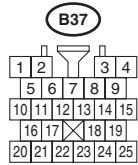
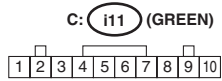
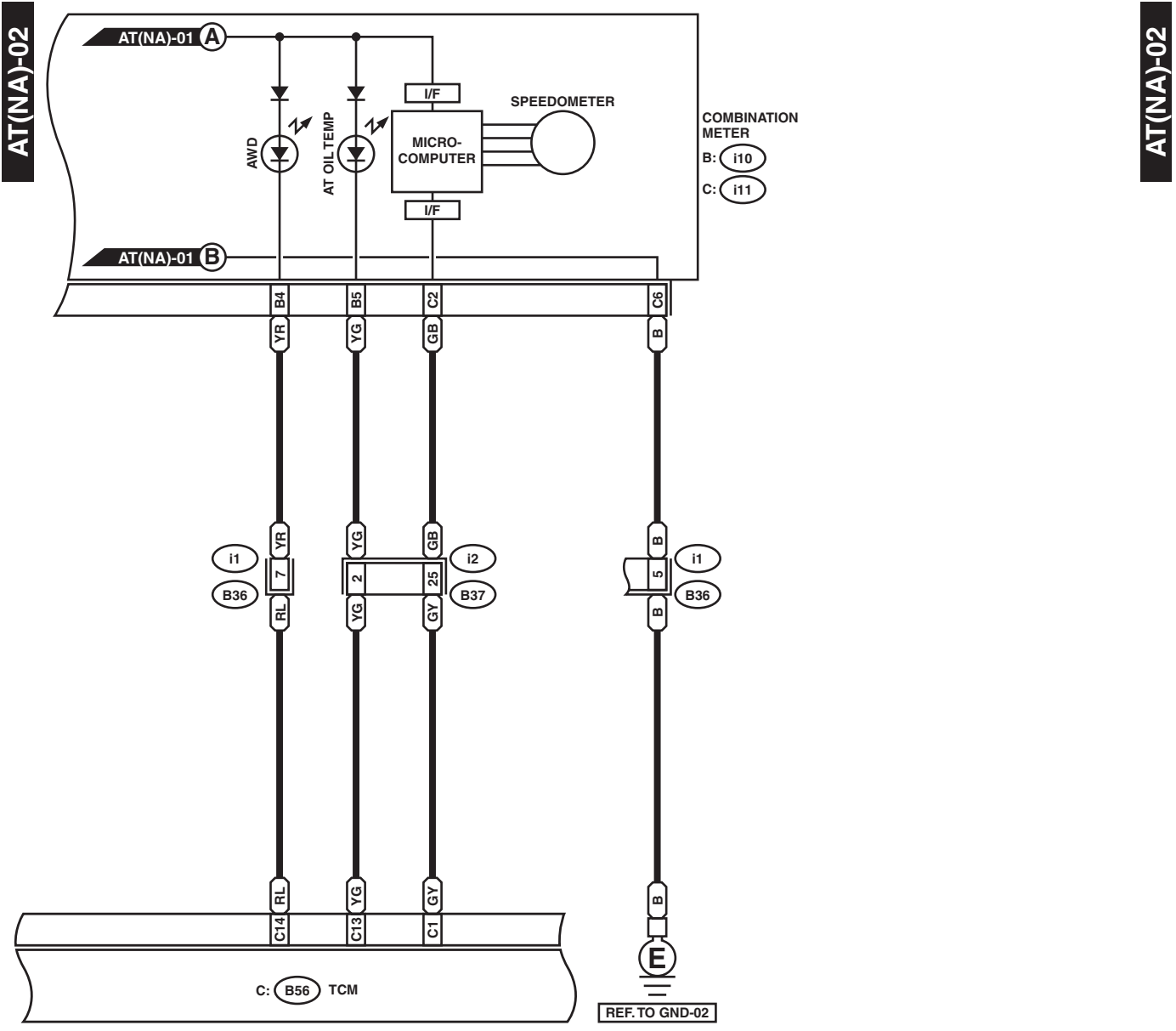
AT(NA)-01



WI-05549

AT Control System

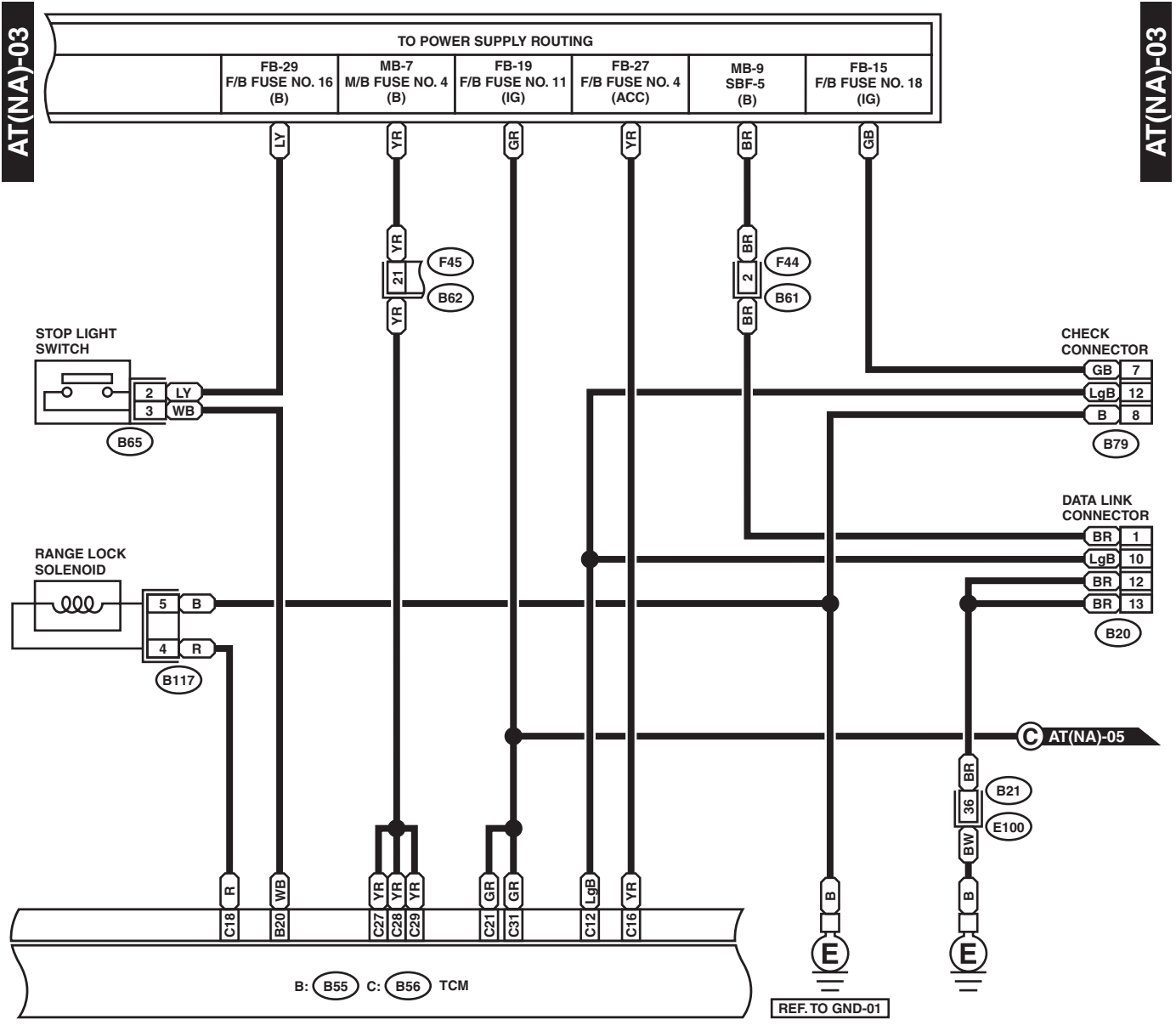
WIRING SYSTEM



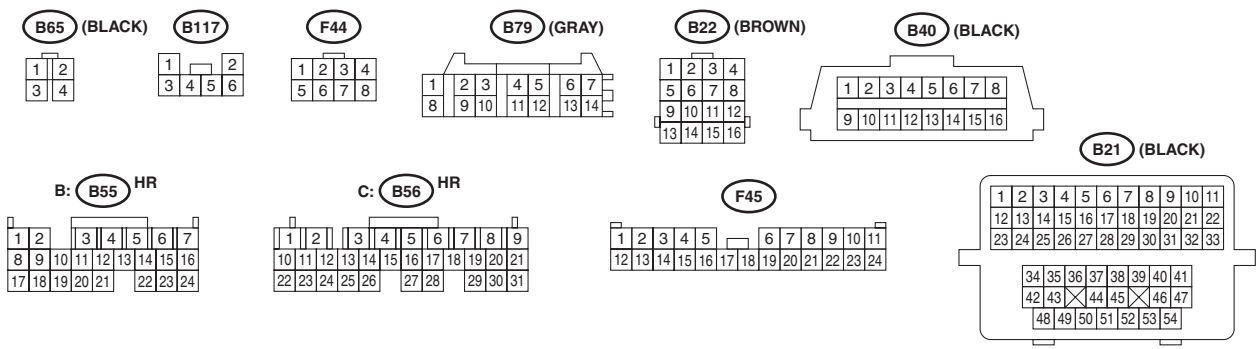
WI-05550

AT Control System

WIRING SYSTEM



AT(NA)-03



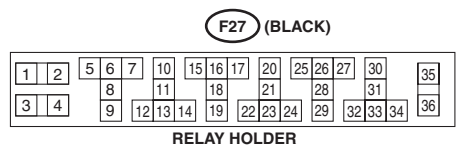
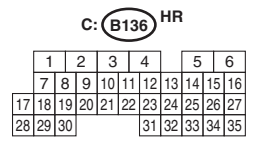
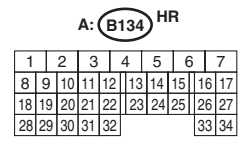
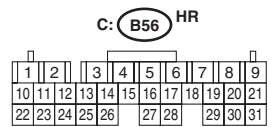
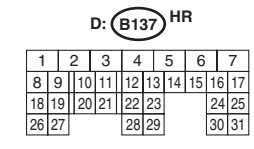
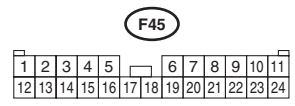
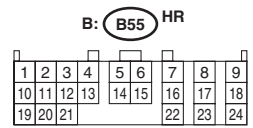
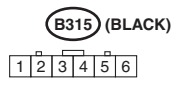
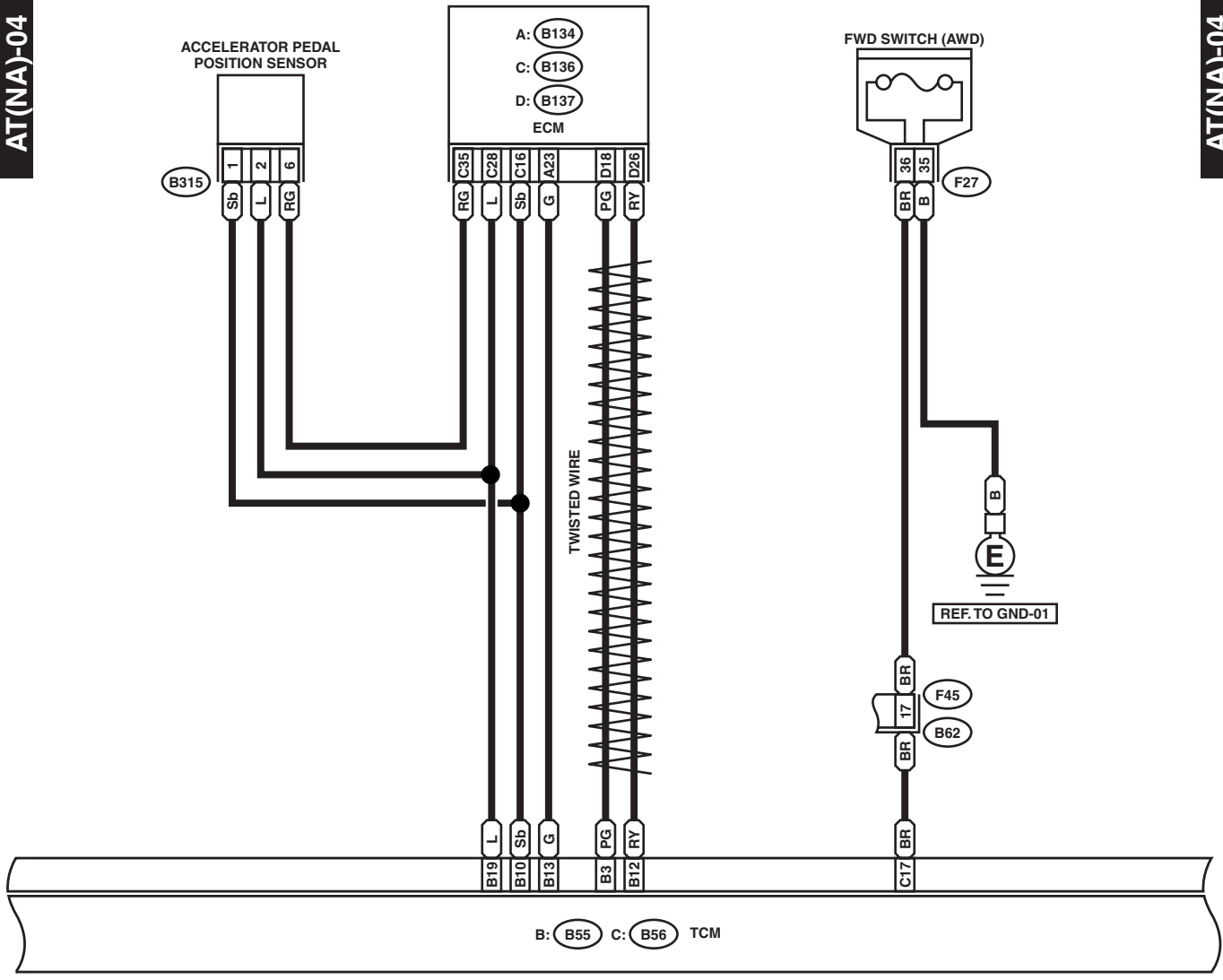
WI-05551

AT Control System

WIRING SYSTEM

AT(NA)-04

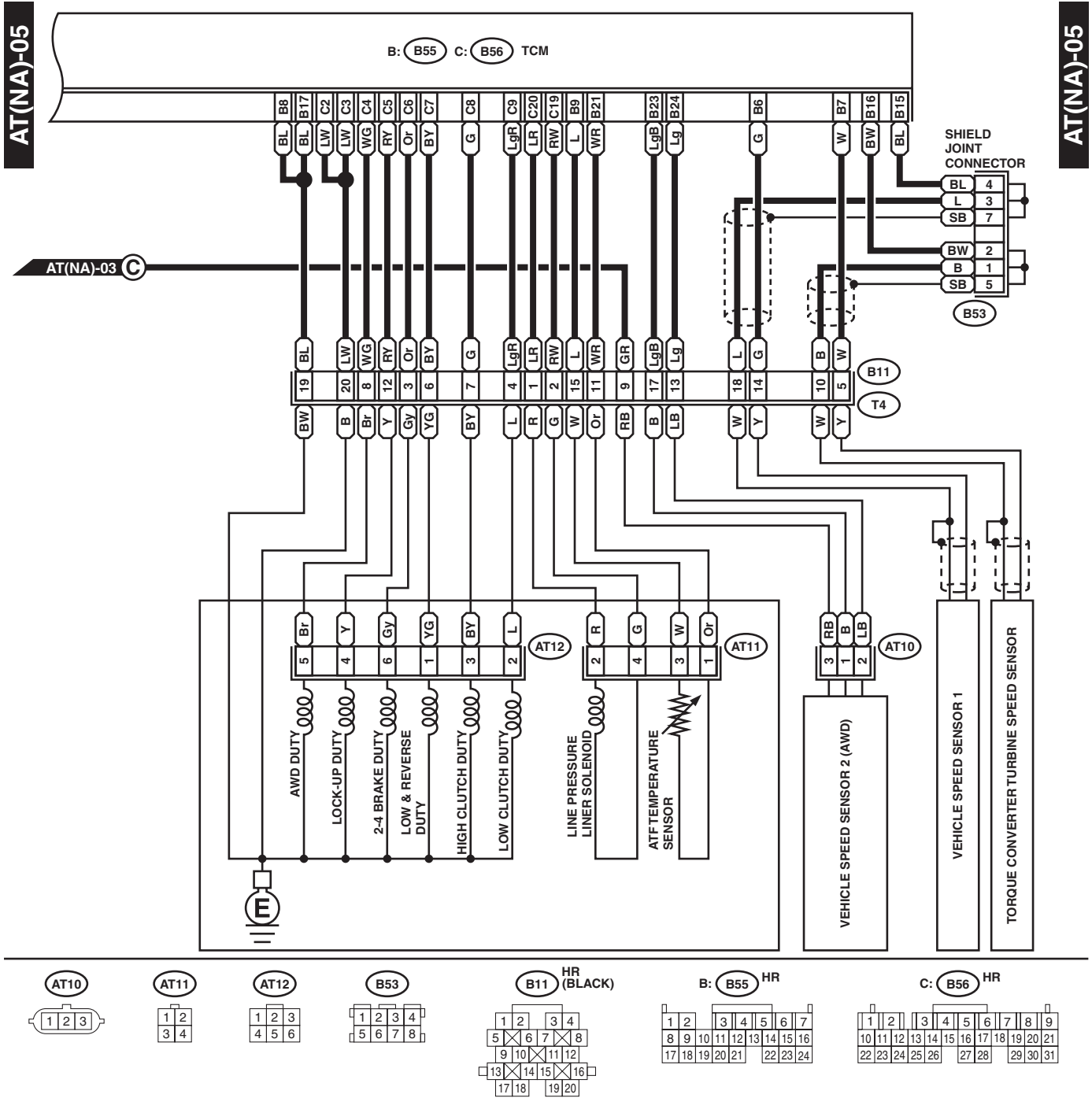
AT(NA)-04



WI-05552

AT Control System

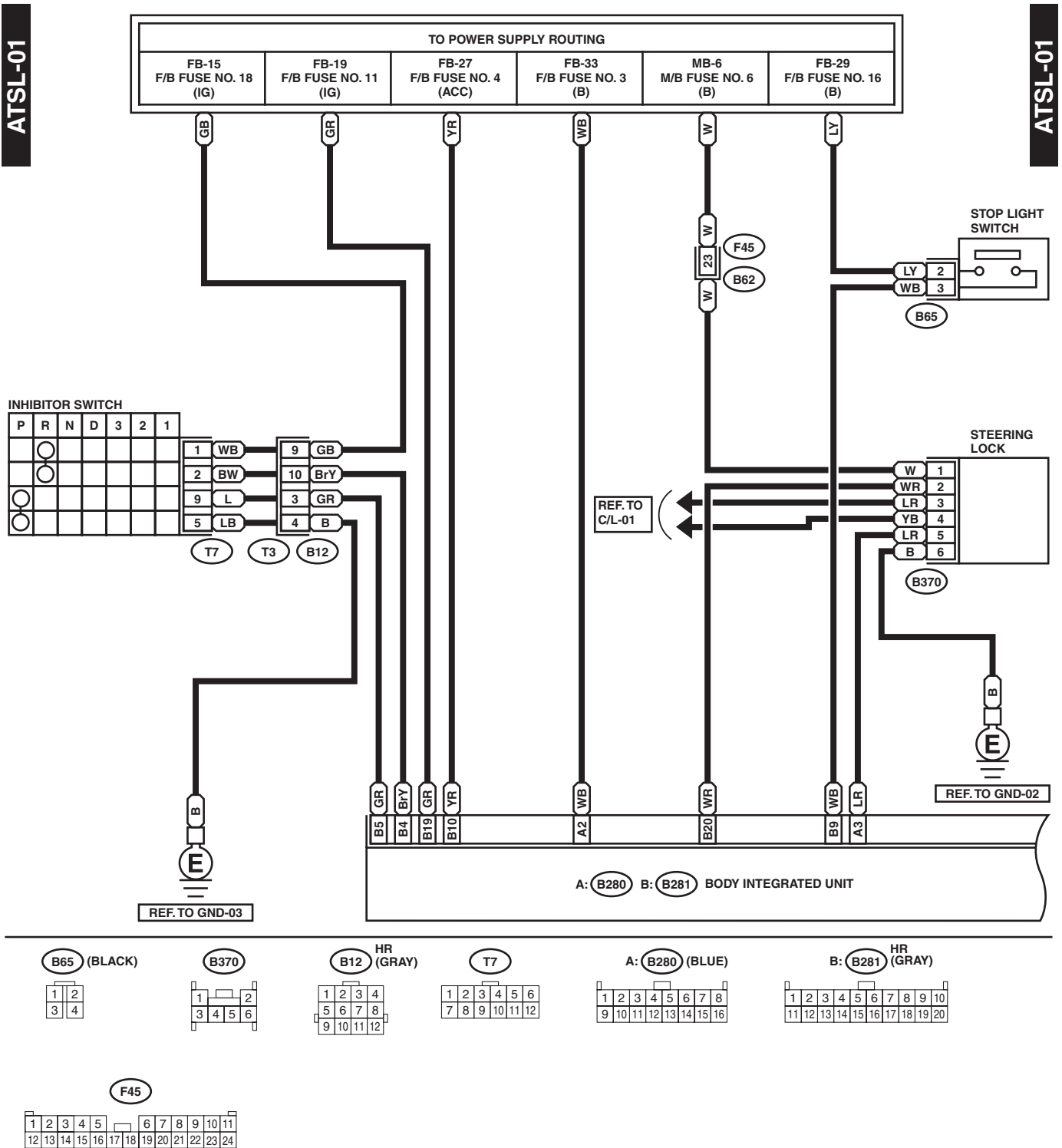
WIRING SYSTEM



WI-05553

7. AT Shift Lock Control System

A: WIRING DIAGRAM

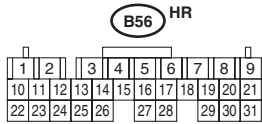
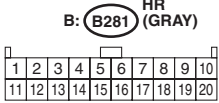
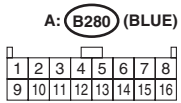
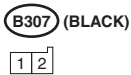
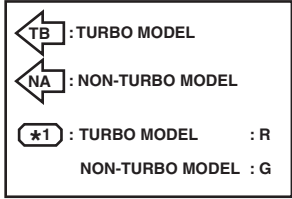
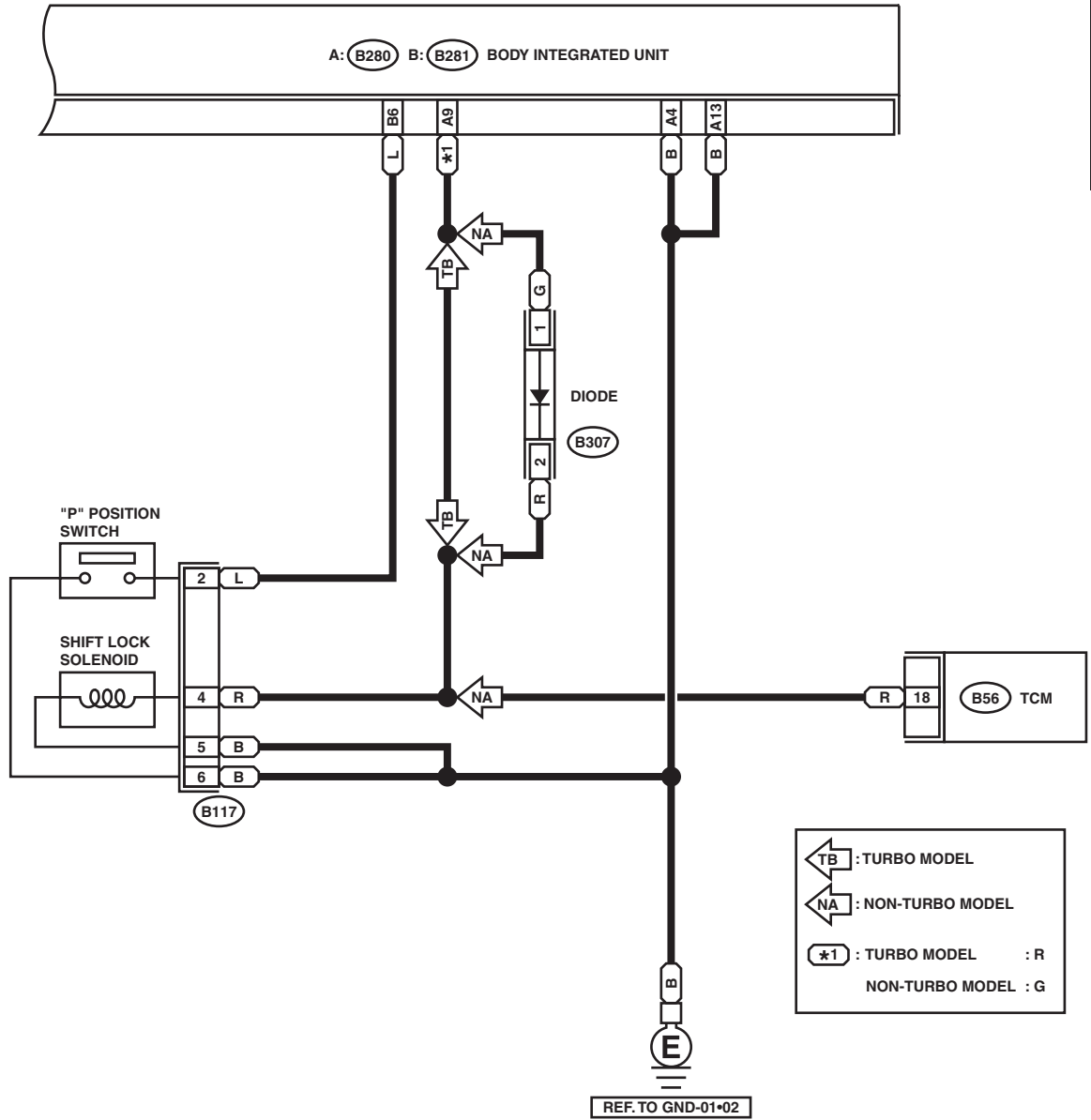


AT Shift Lock Control System

WIRING SYSTEM

ATSL-02

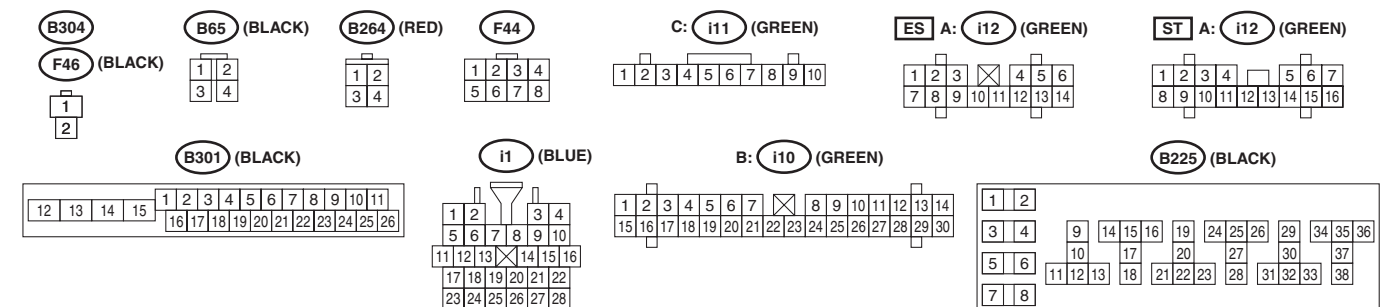
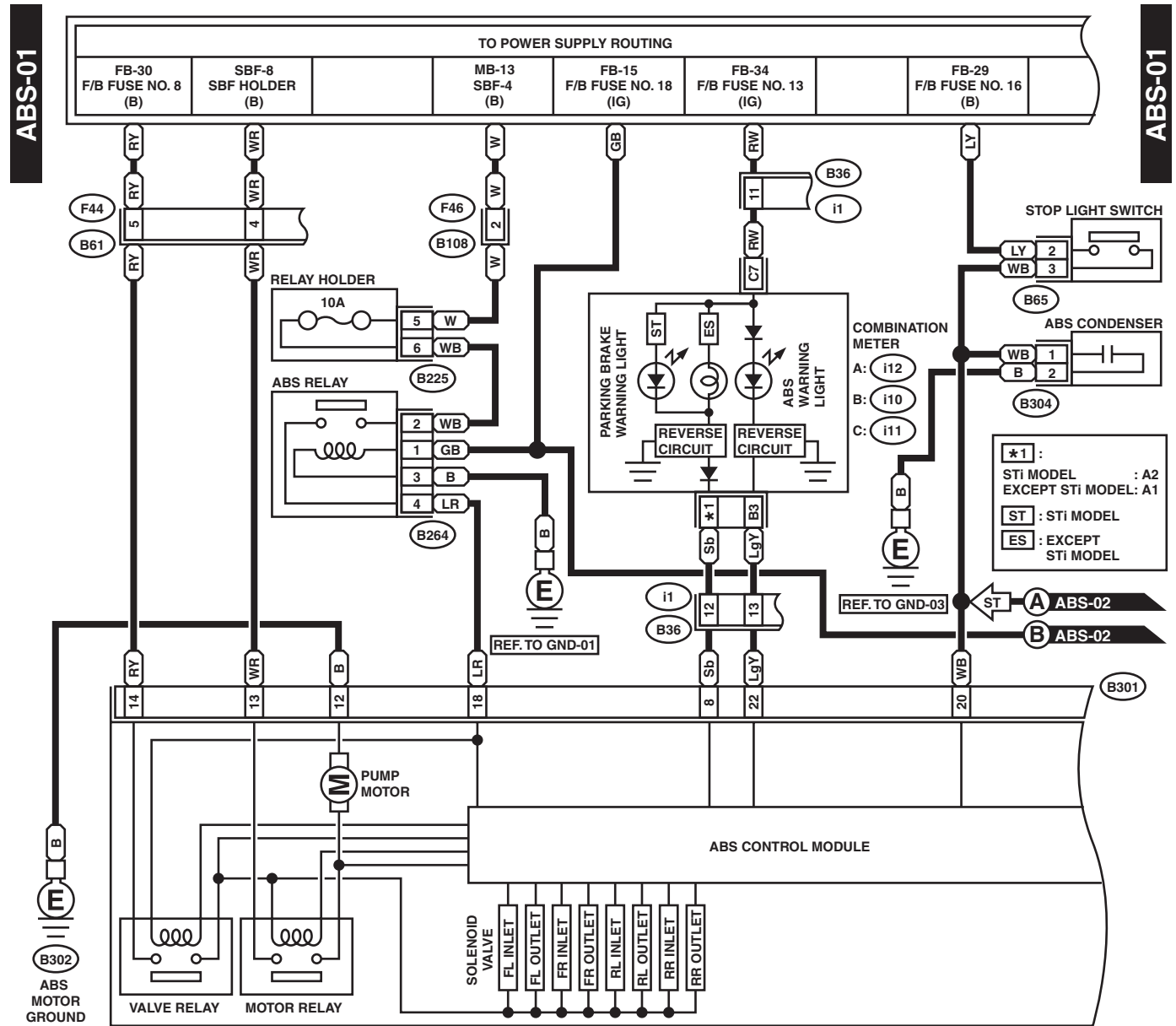
ATSL-02



WI-05514

8. Anti-lock Brake System

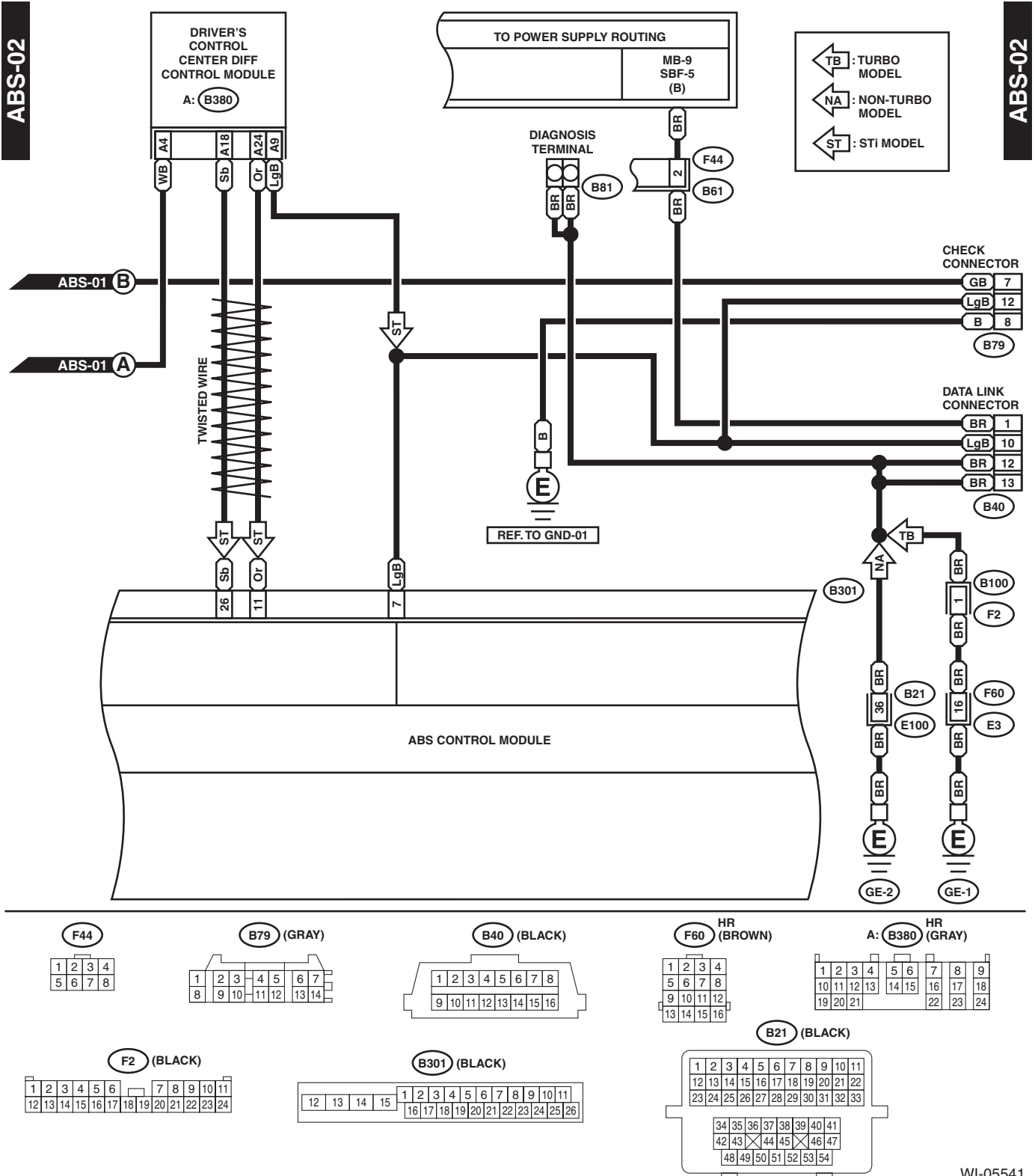
A: WIRING DIAGRAM



RELAY HOLDER WI-05540

Anti-lock Brake System

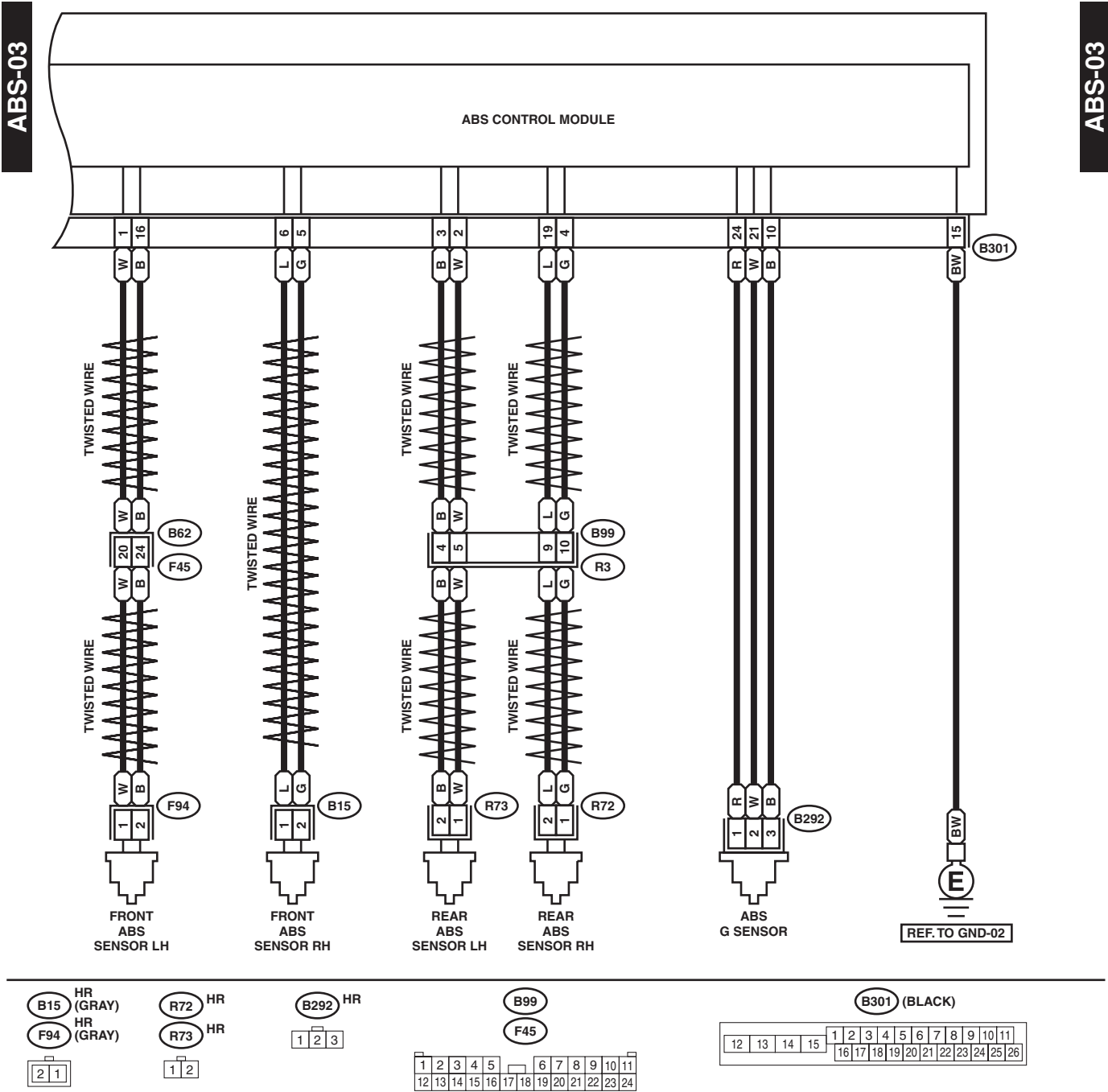
WIRING SYSTEM



WI-05541

Anti-lock Brake System

WIRING SYSTEM



WI-05638

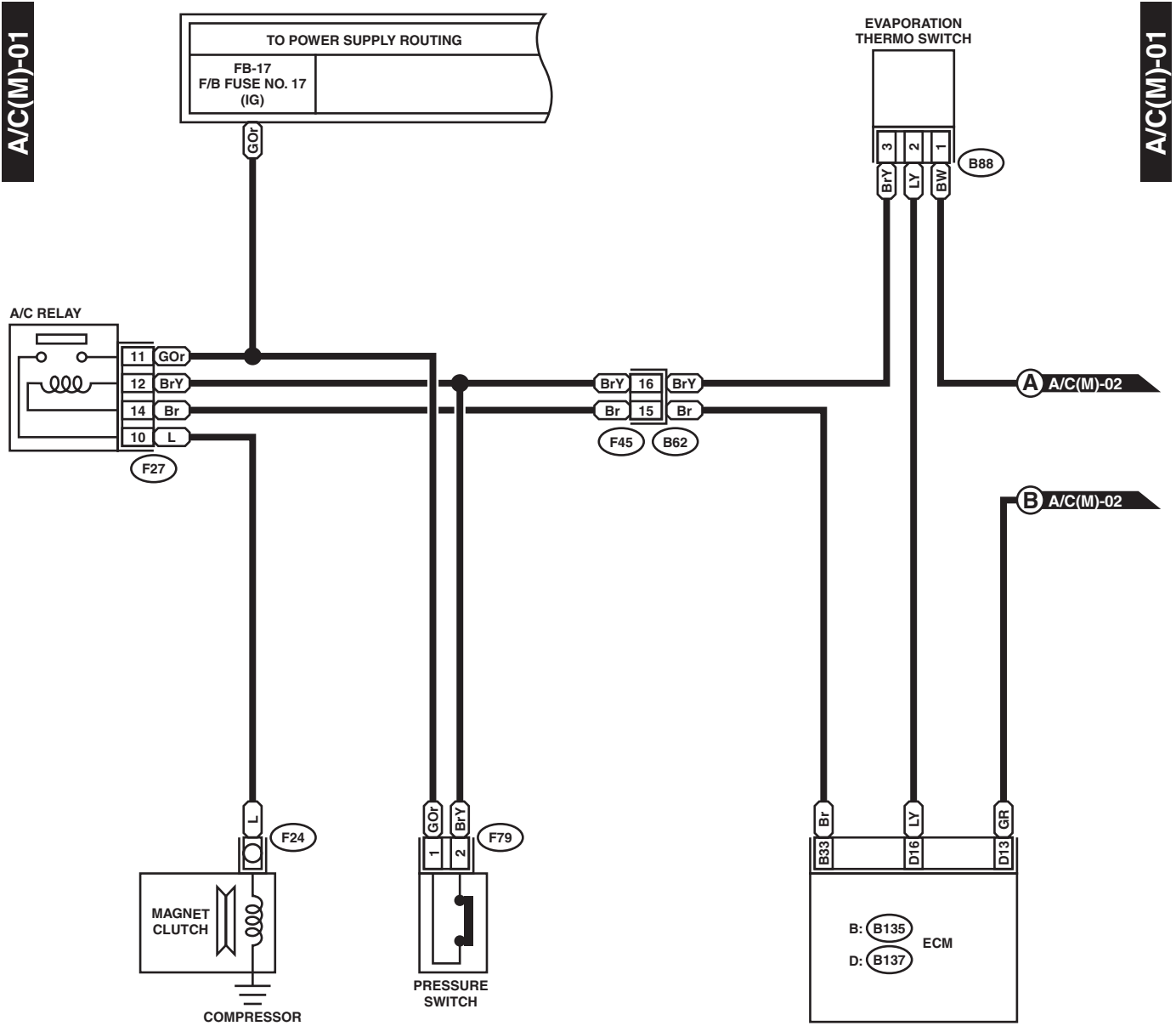
Air Conditioning System

WIRING SYSTEM

9. Air Conditioning System

A: WIRING DIAGRAM

1. MANUAL A/C MODEL



F79 (GRAY)

B88 (BROWN)

F45

D: B137 HR

1	2
---	---

1	2
3	4

1	2	3	4	5	6	7	8	9	10	11		
12	13	14	15	16	17	18	19	20	21	22	23	24

1	2	3	4	5	6	7			
8	9	10	11	12	13	14	15	16	17
18	19	20	21	22	23	24	25		
26	27	28	29	30	31				

B: B135 HR

F27 (BLACK)

1	2	3	4	5	6	7					
8	9	10	11	12	13	14	15	16	17	18	19
20	21	22	23	24	25	26	27				
28	29	30	31	32	33	34	35				

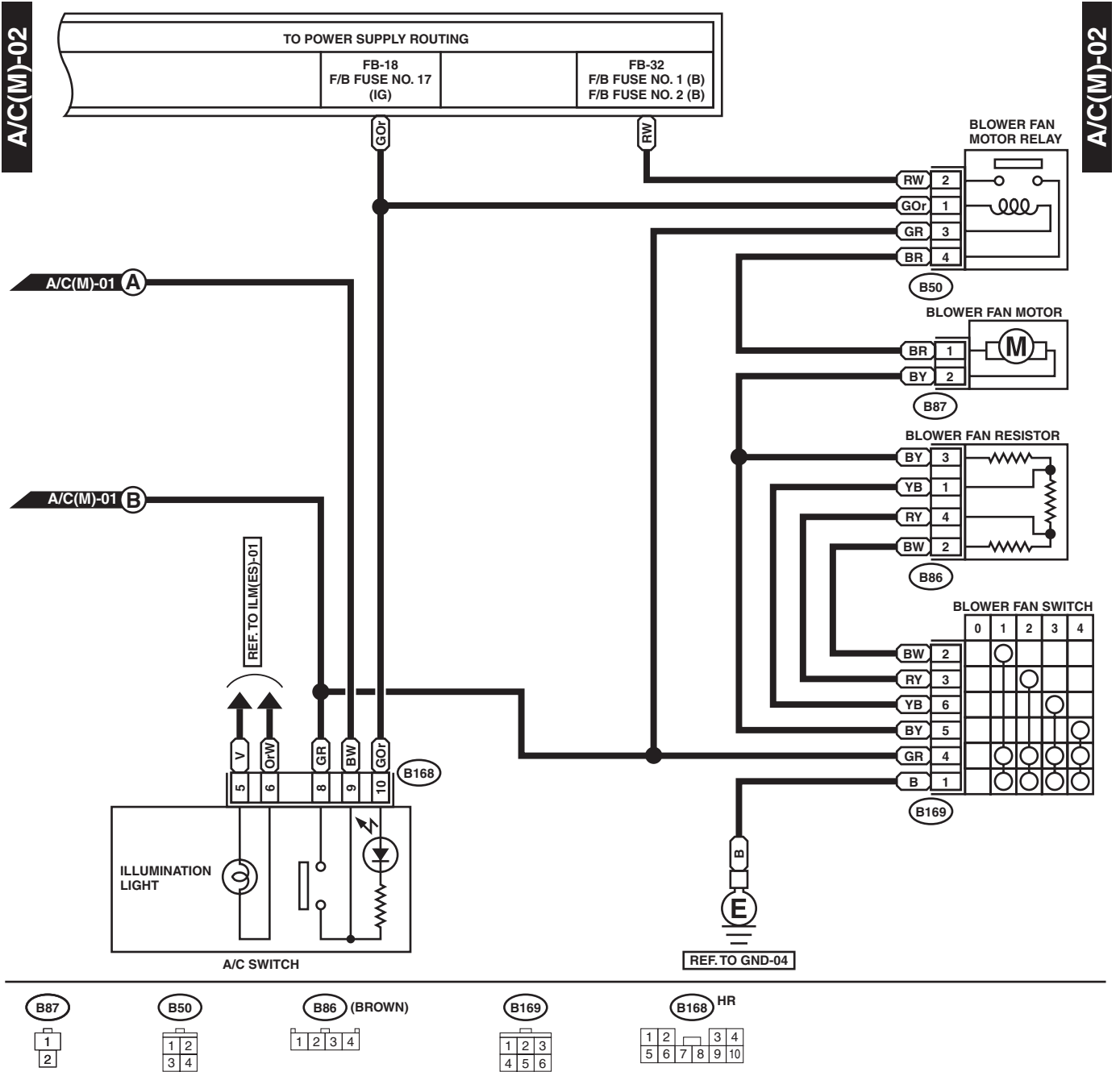
1	2	5	6	7	10	15	16	17	20	25	26	27	30	35
3	4	8	11	18	21	28	31							
9	12	13	14	19	22	23	24	29	32	33	34	36		

RELAY HOLDER

WI-05639

Air Conditioning System

WIRING SYSTEM

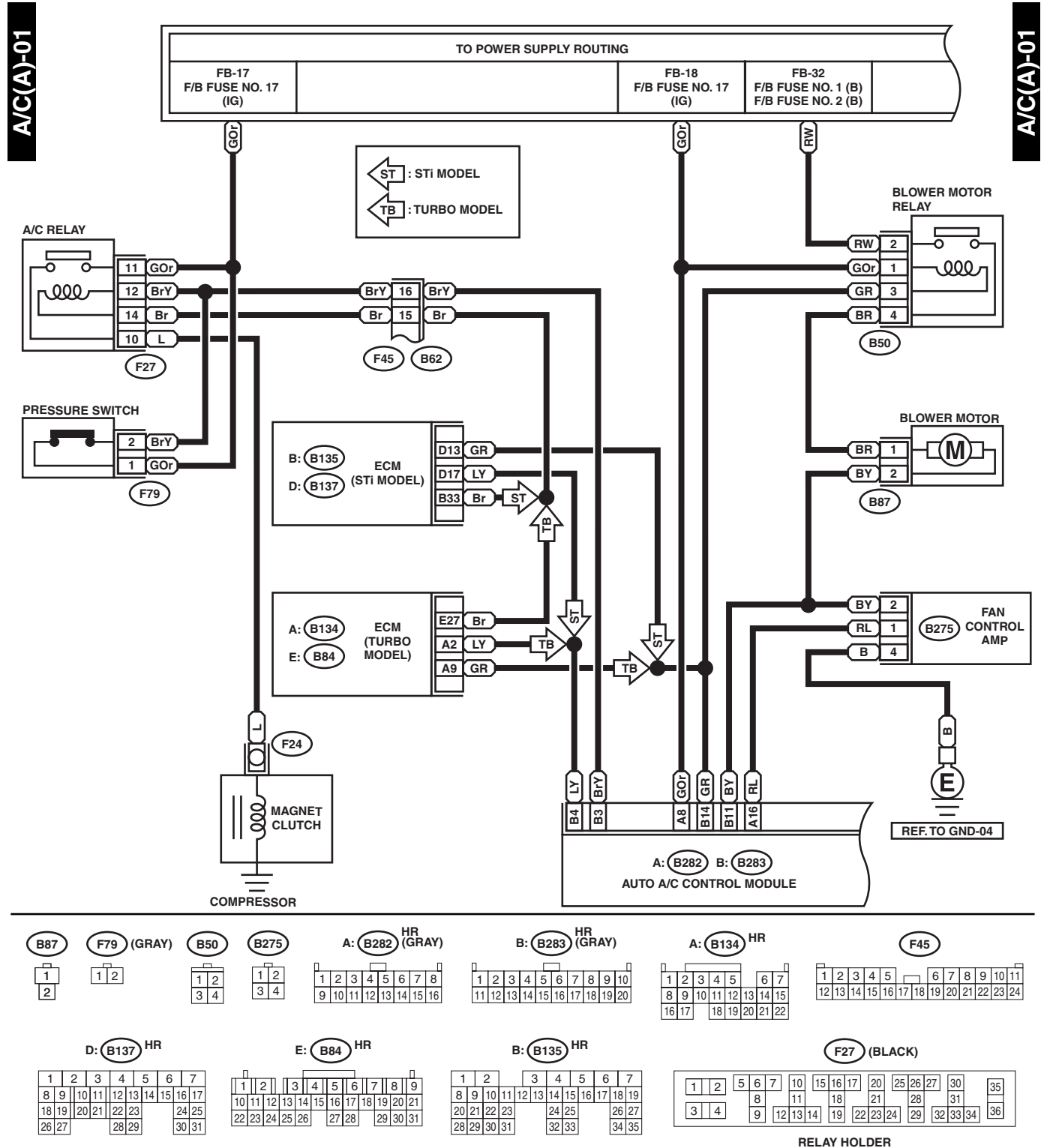


WI-05536

Air Conditioning System

WIRING SYSTEM

2. AUTO A/C MODEL



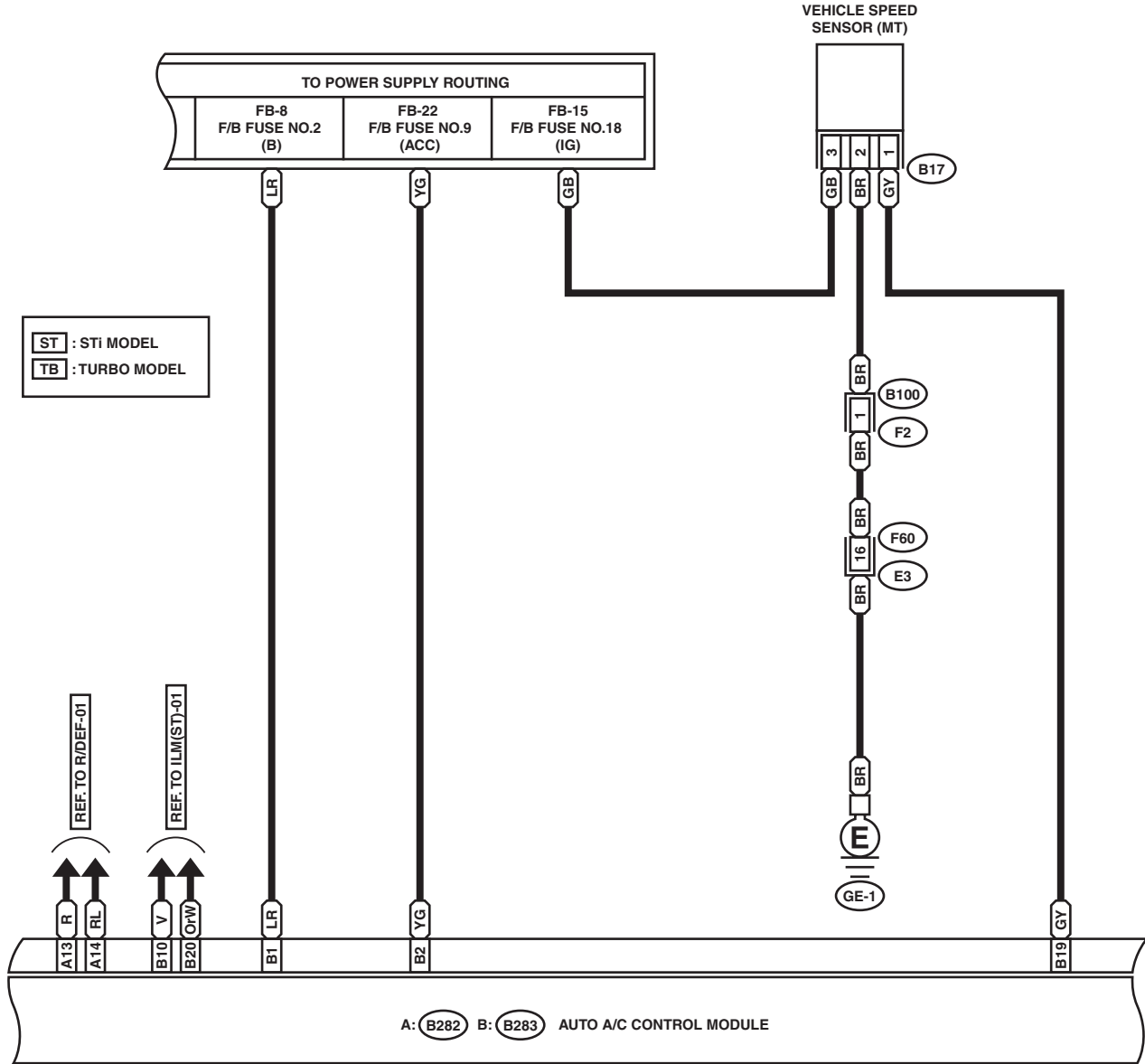
WI-05537

Air Conditioning System

WIRING SYSTEM

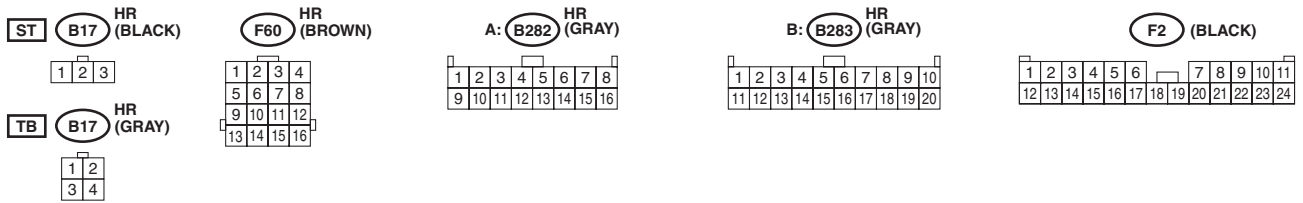
A/C(A)-02

A/C(A)-02



ST : STI MODEL
TB : TURBO MODEL

A: B282 B: B283 AUTO A/C CONTROL MODULE



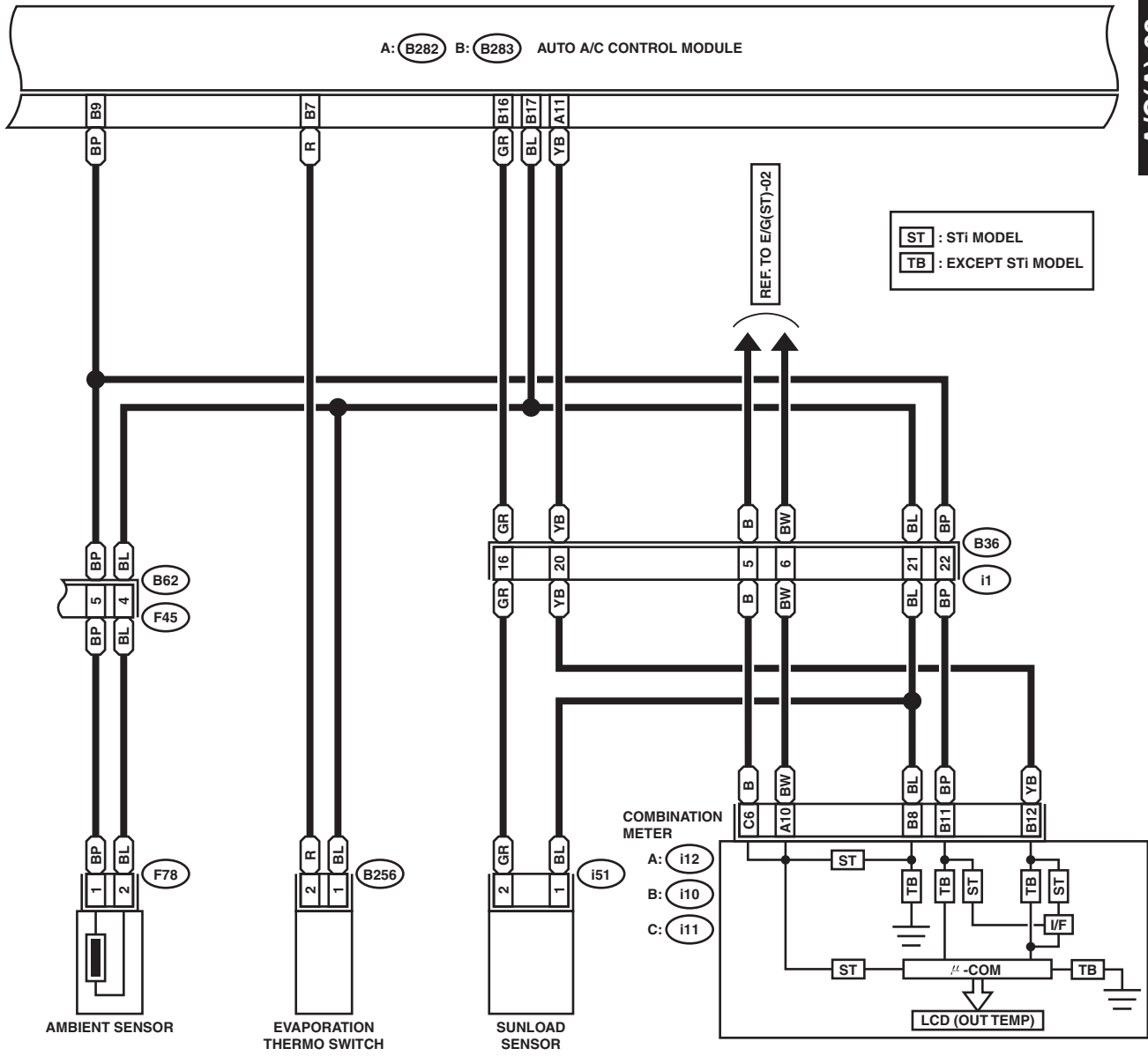
WI-05538

Air Conditioning System

WIRING SYSTEM

A/C(A)-03

A/C(A)-03



B256

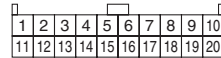
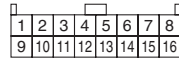
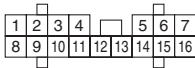
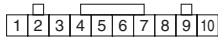
C: i11 (GREEN)

ST A: i12 (GREEN)

HR A: B282 (GRAY)

HR B: B283 (GRAY)

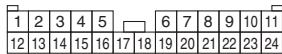
F78 (BLACK)



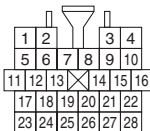
i51



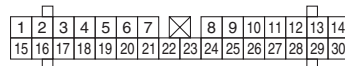
F45



i1 (BLUE)



B: i10 (GREEN)



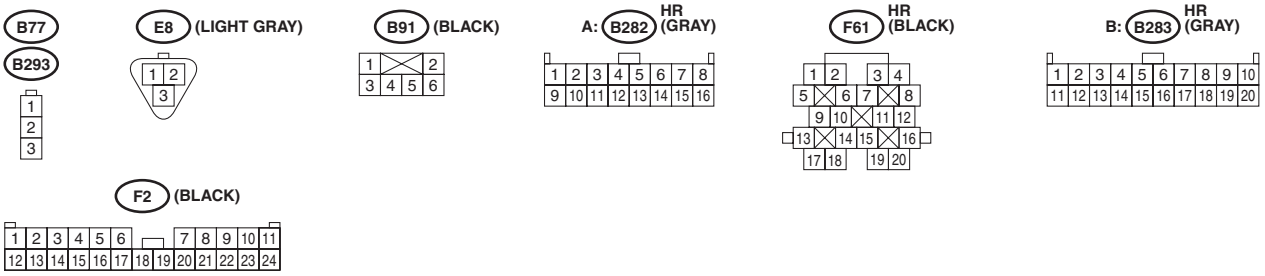
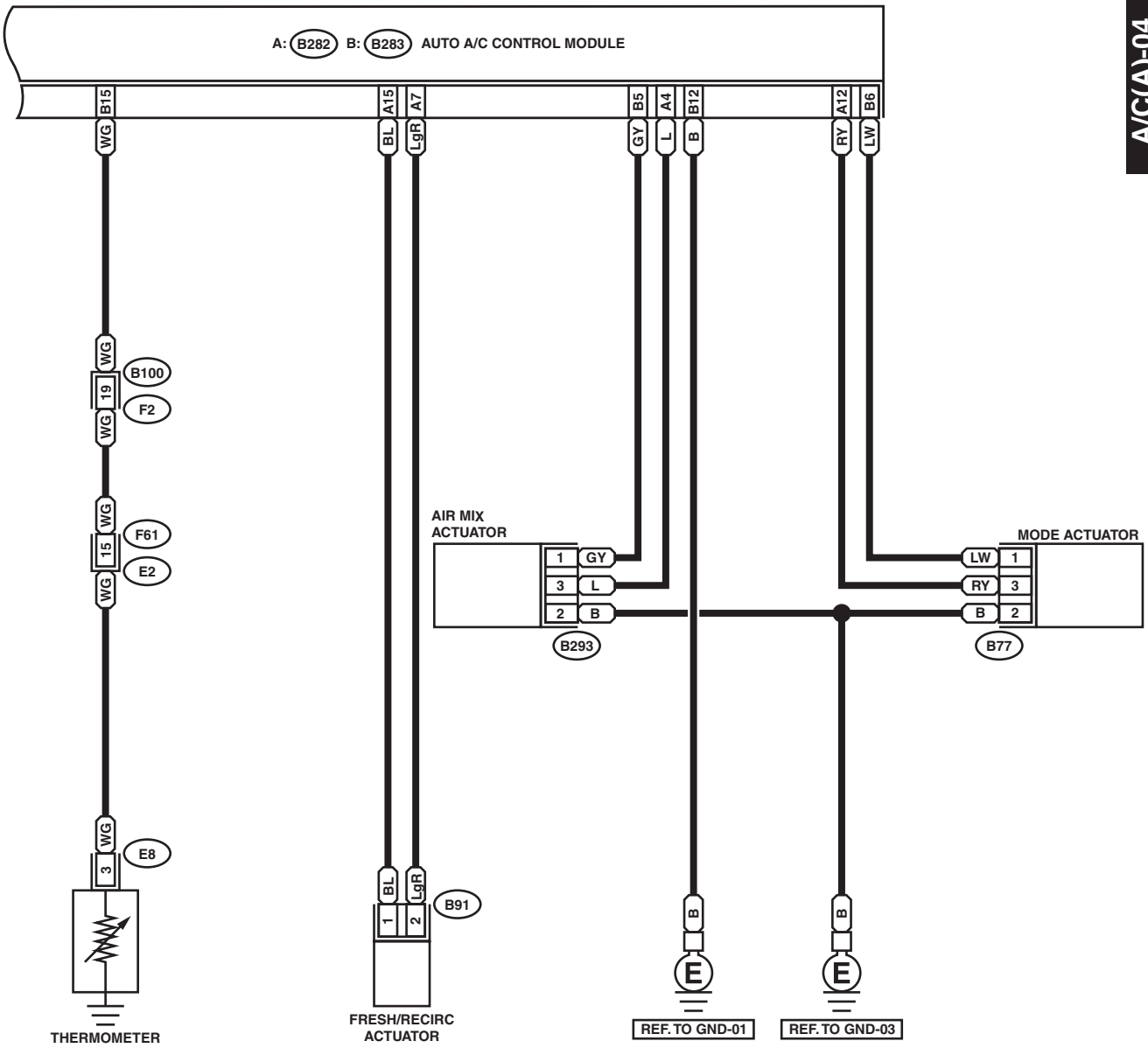
WI-05539

Air Conditioning System

WIRING SYSTEM

A/C(A)-04

A/C(A)-04



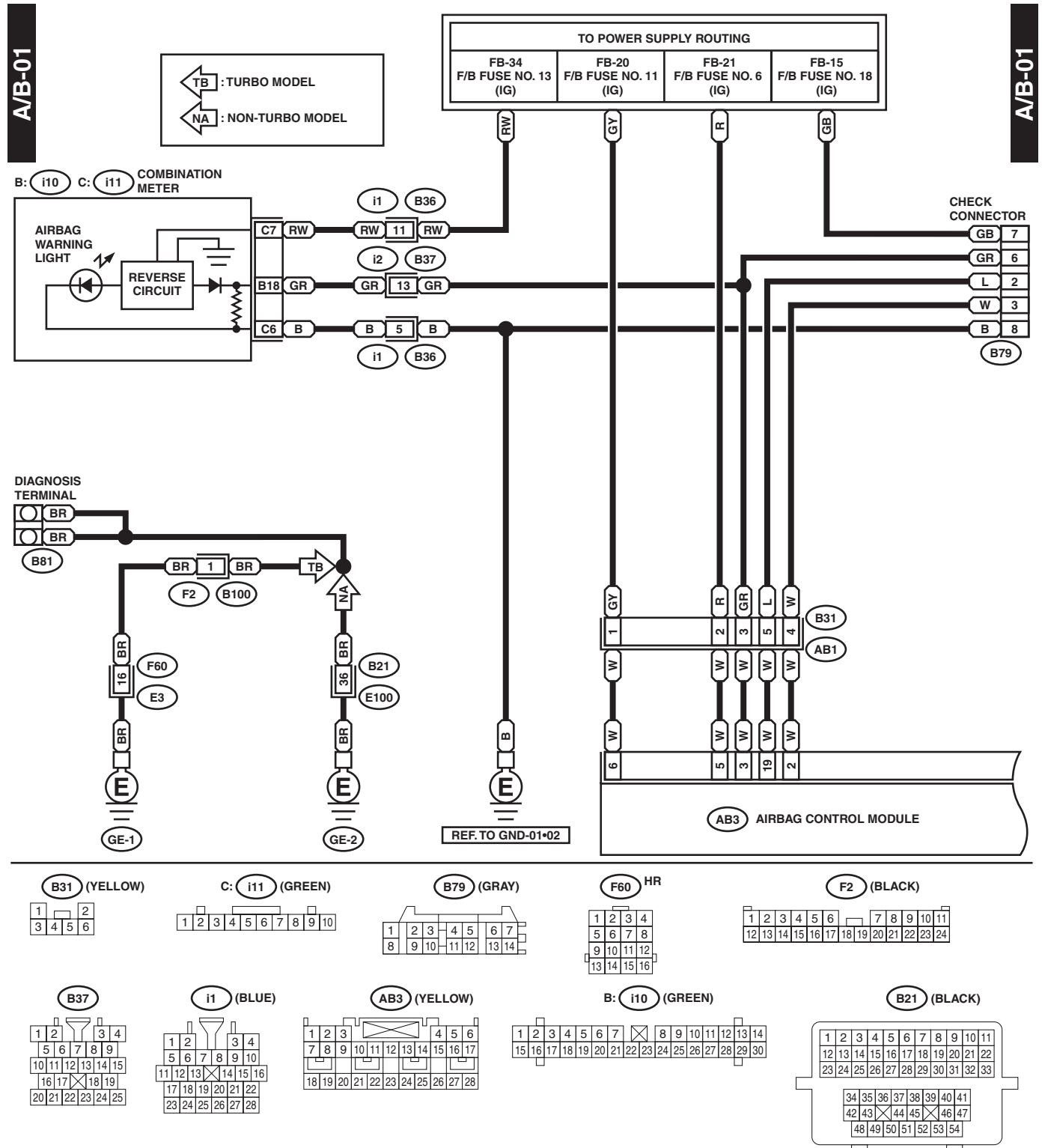
WI-05033

Airbag System

WIRING SYSTEM

10. Airbag System

A: WIRING DIAGRAM



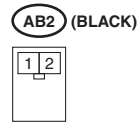
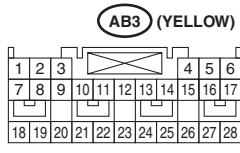
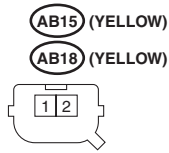
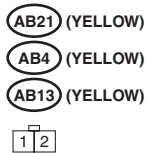
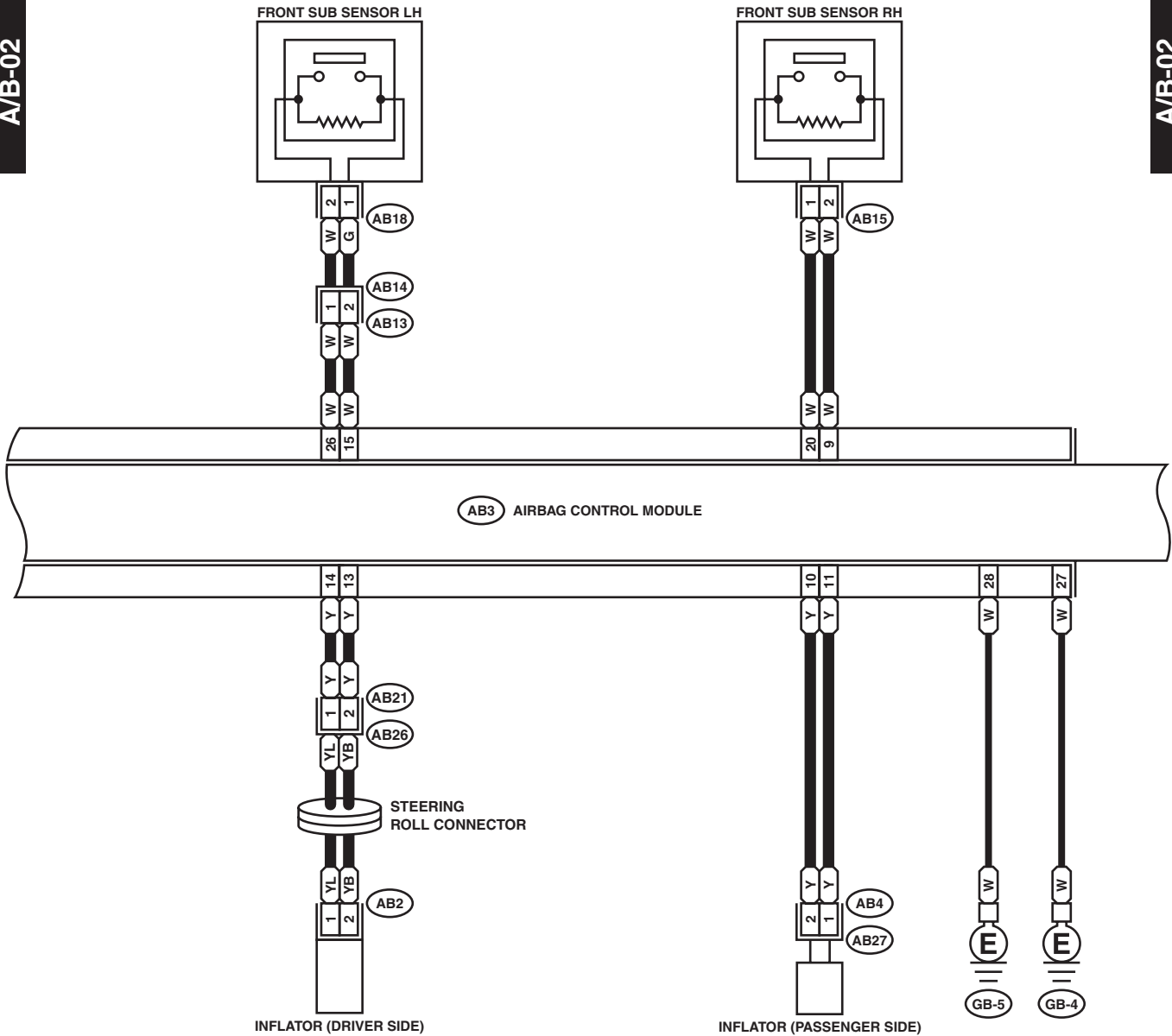
WI-05533

Airbag System

WIRING SYSTEM

A/B-02

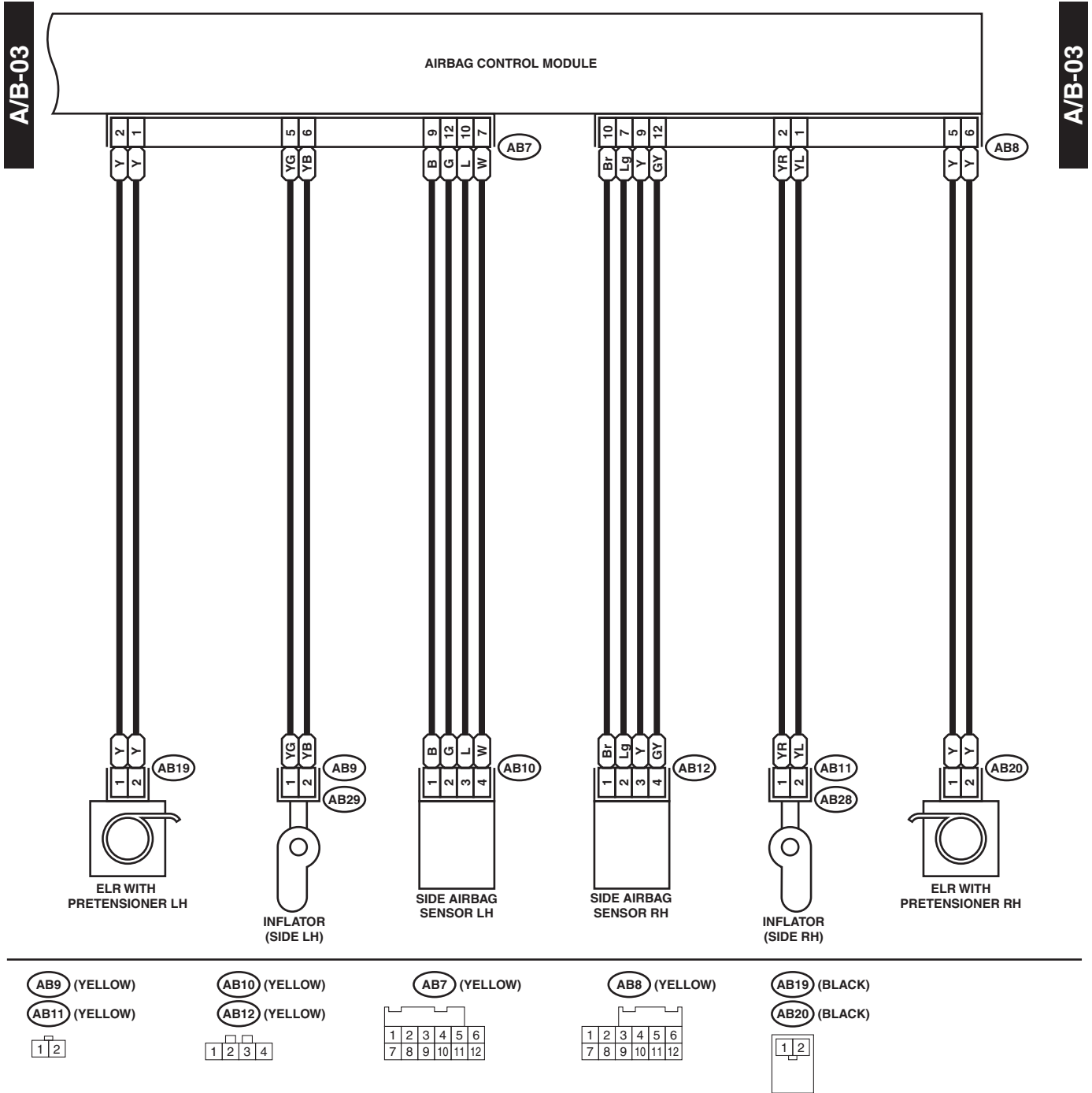
A/B-02



WI-05534

Airbag System

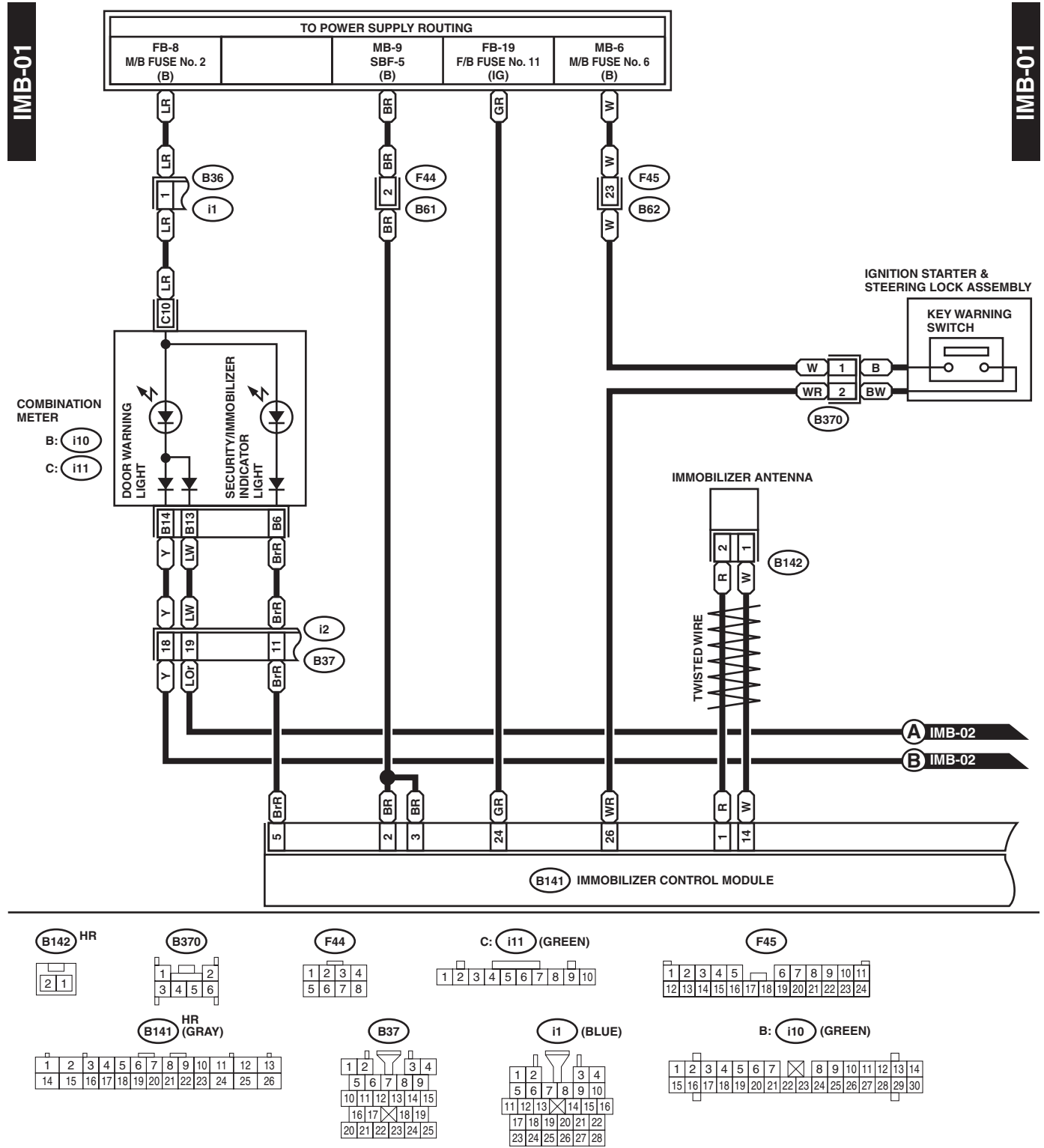
WIRING SYSTEM



WI-05535

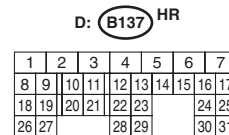
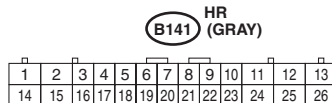
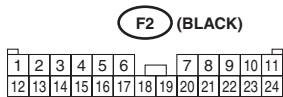
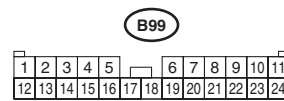
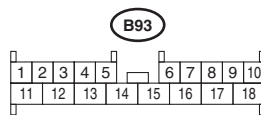
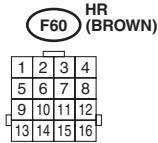
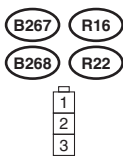
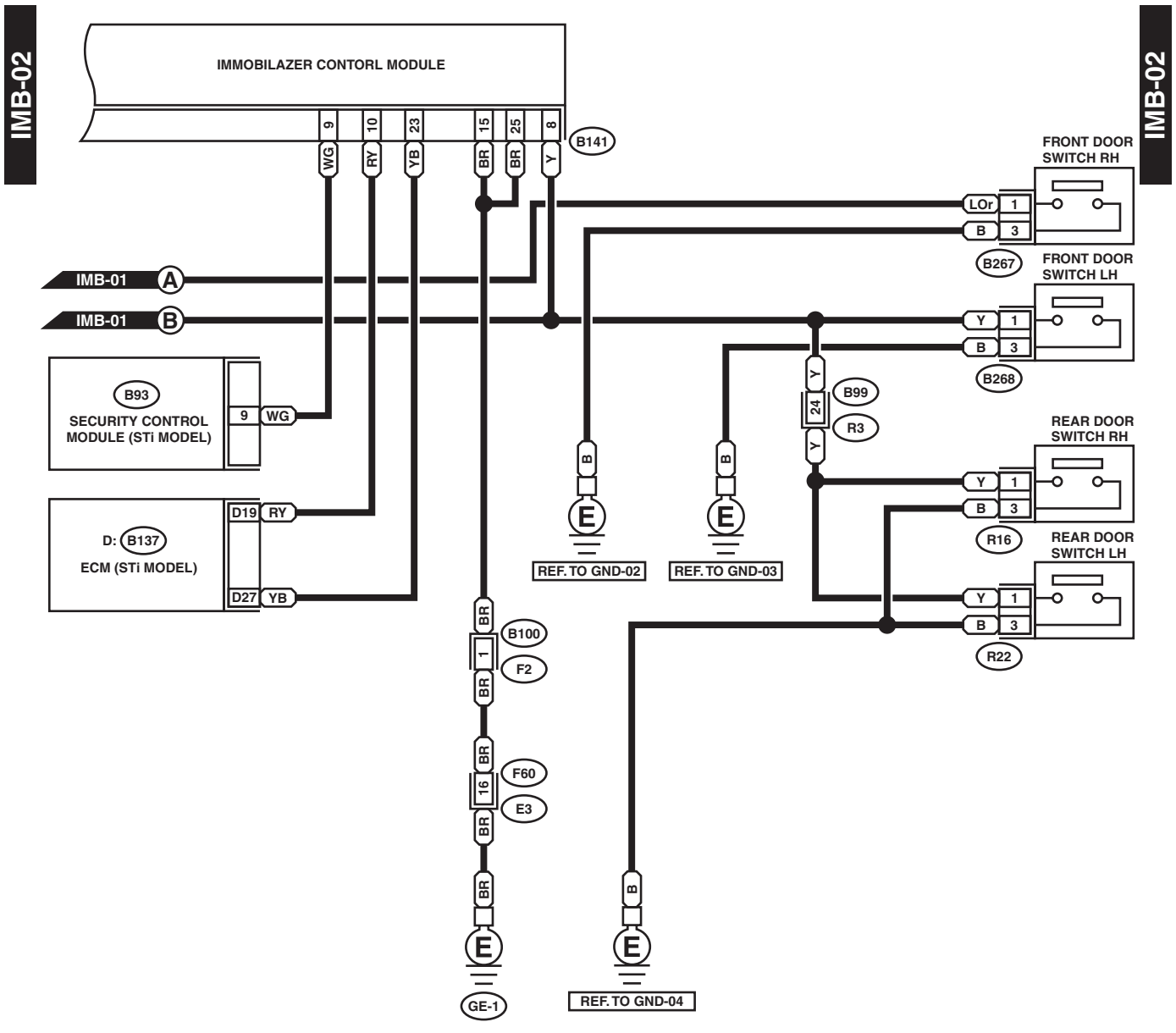
11. Immobilizer System

A: WIRING DIAGRAM



Immobilizer System

WIRING SYSTEM

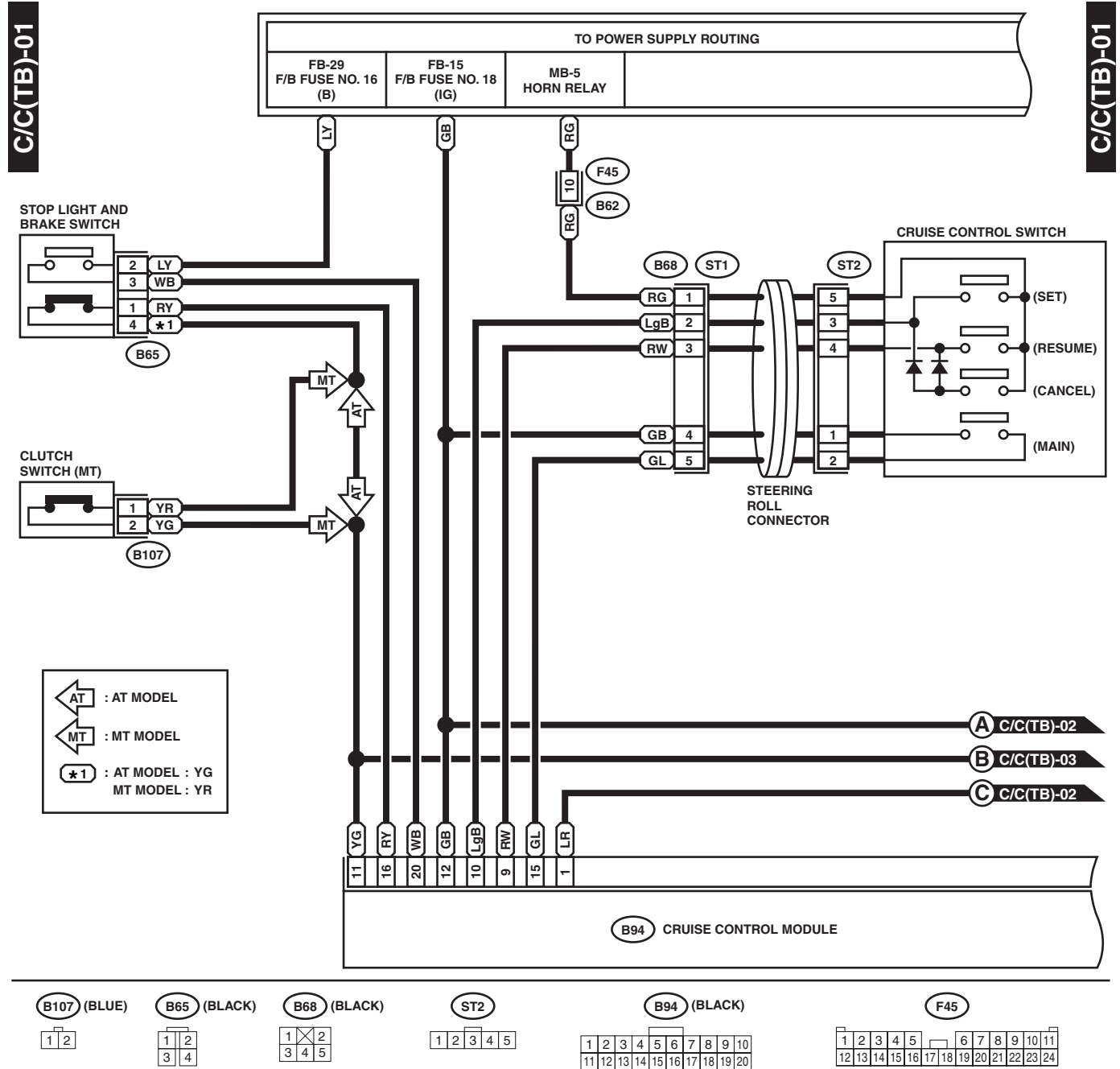


WI-05504

12. Cruise Control System

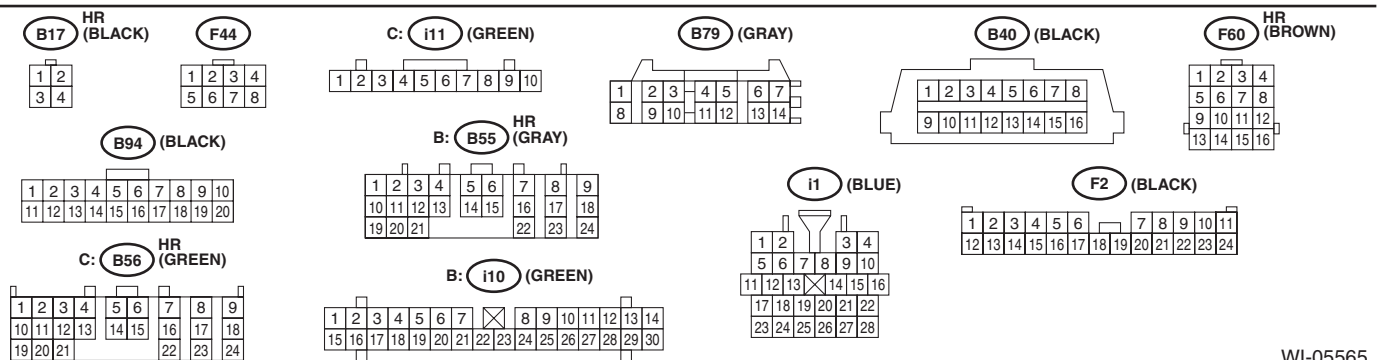
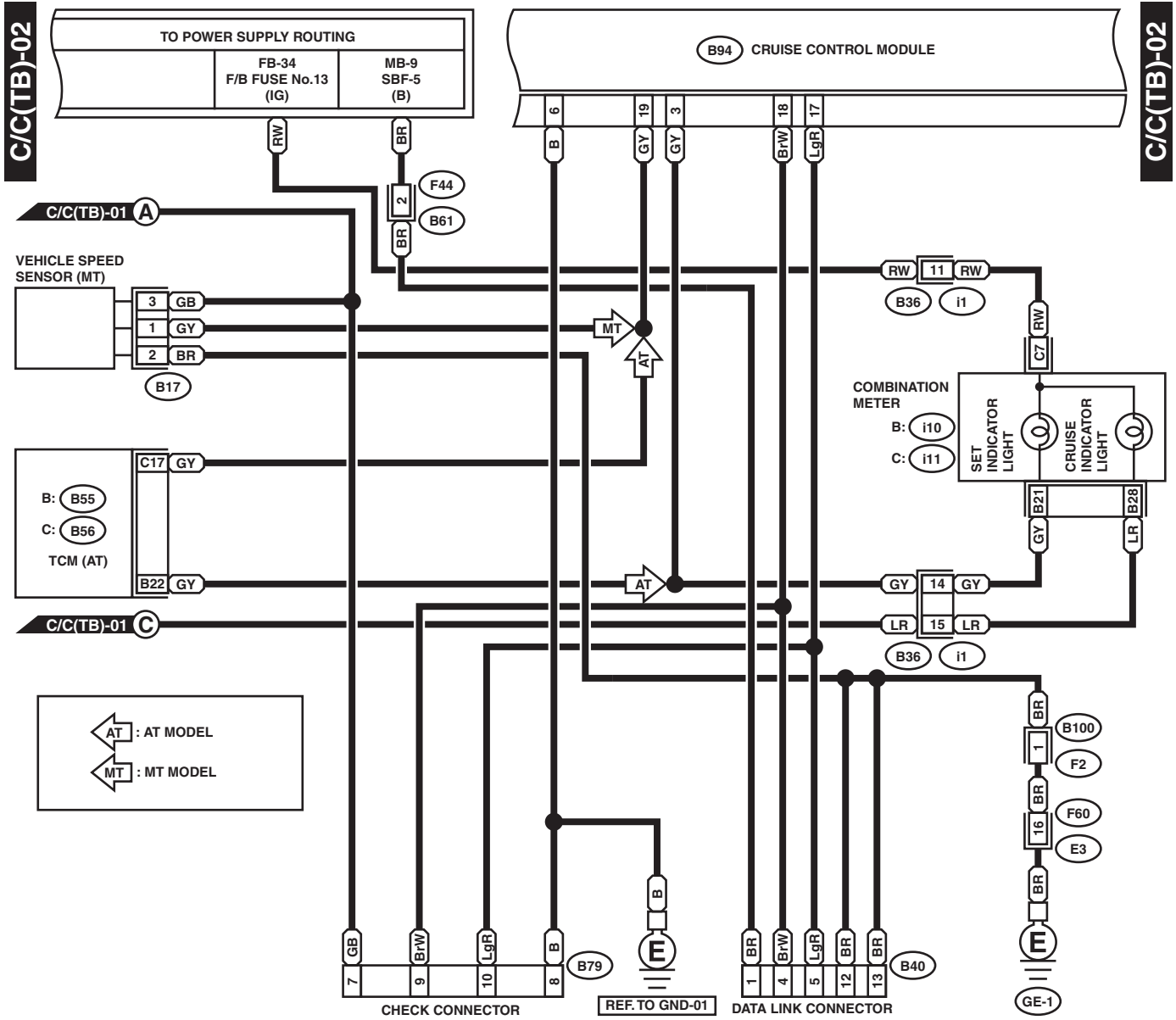
A: WIRING DIAGRAM

1. TURBO MODEL



Cruise Control System

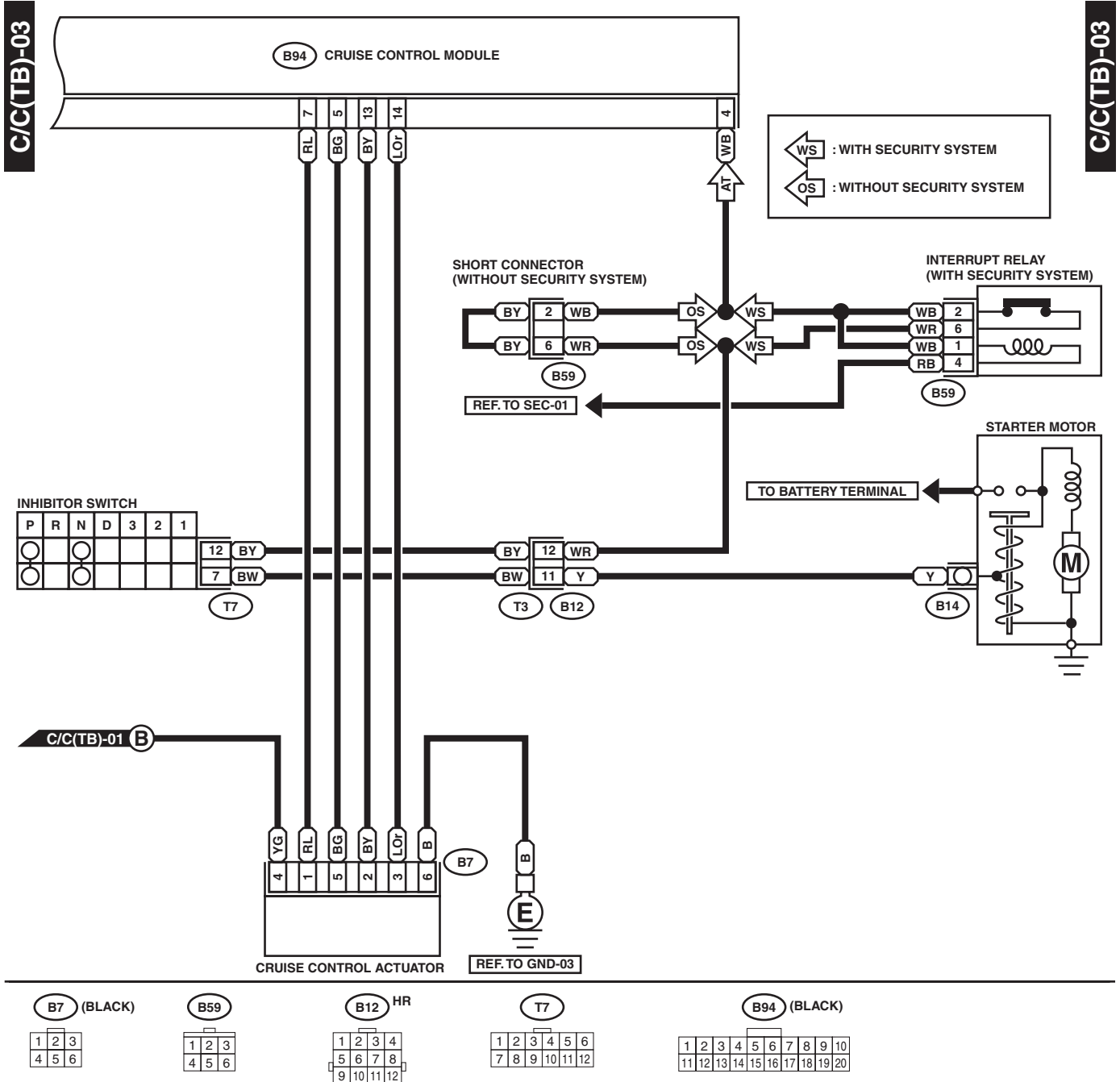
WIRING SYSTEM



WI-05565

Cruise Control System

WIRING SYSTEM

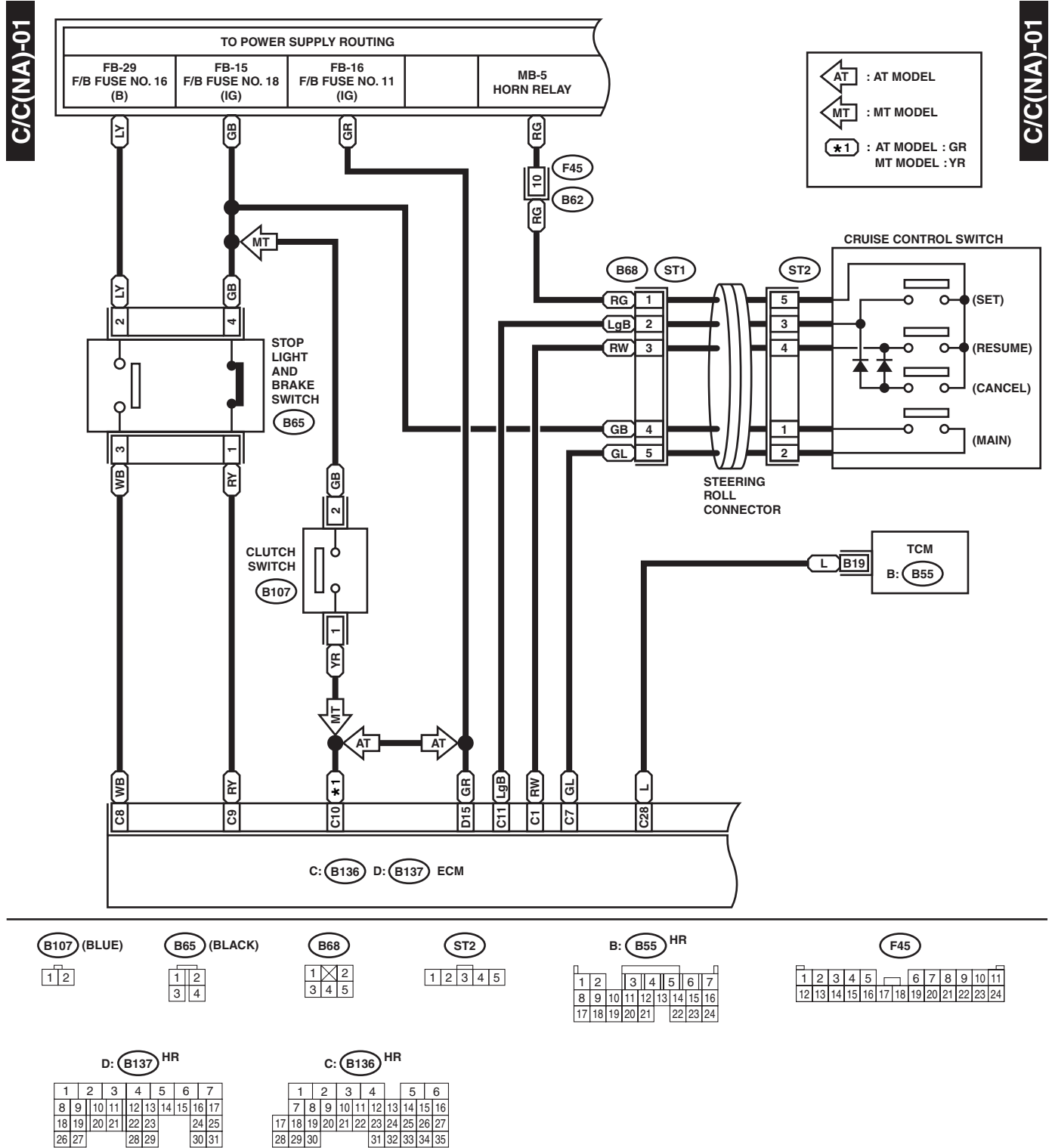


WI-05502

Cruise Control System

WIRING SYSTEM

2. NON-TURBO MODEL



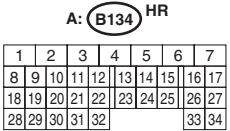
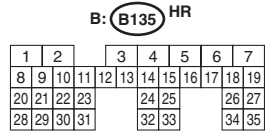
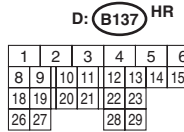
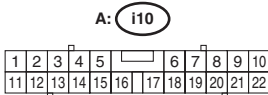
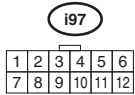
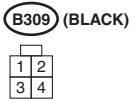
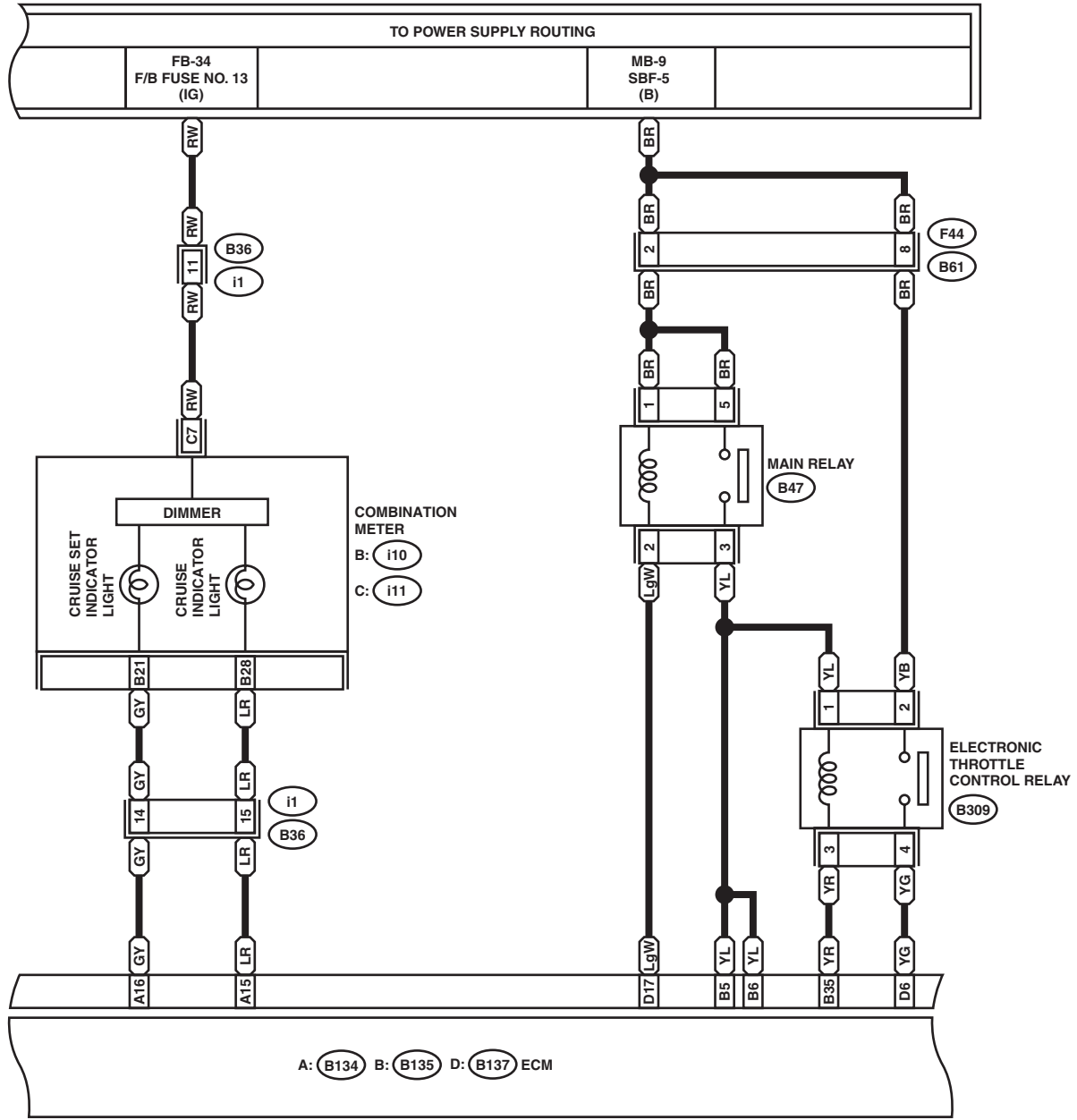
WI-05499

Cruise Control System

WIRING SYSTEM

C/C(NA)-02

C/C(NA)-02

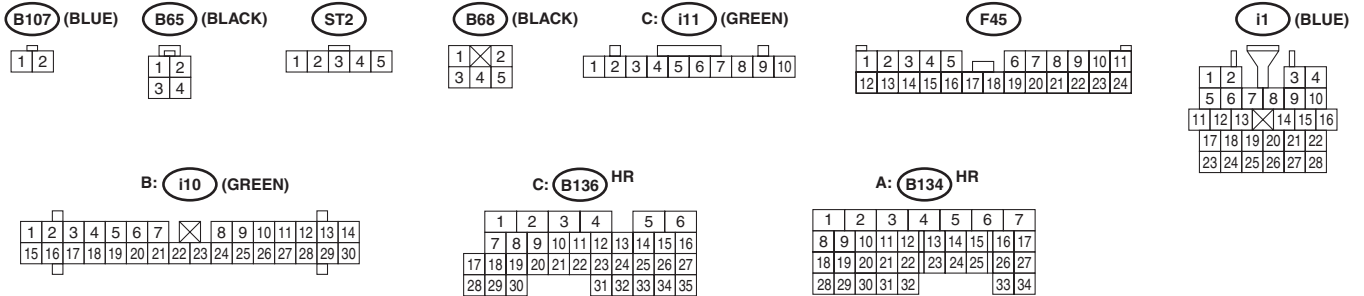
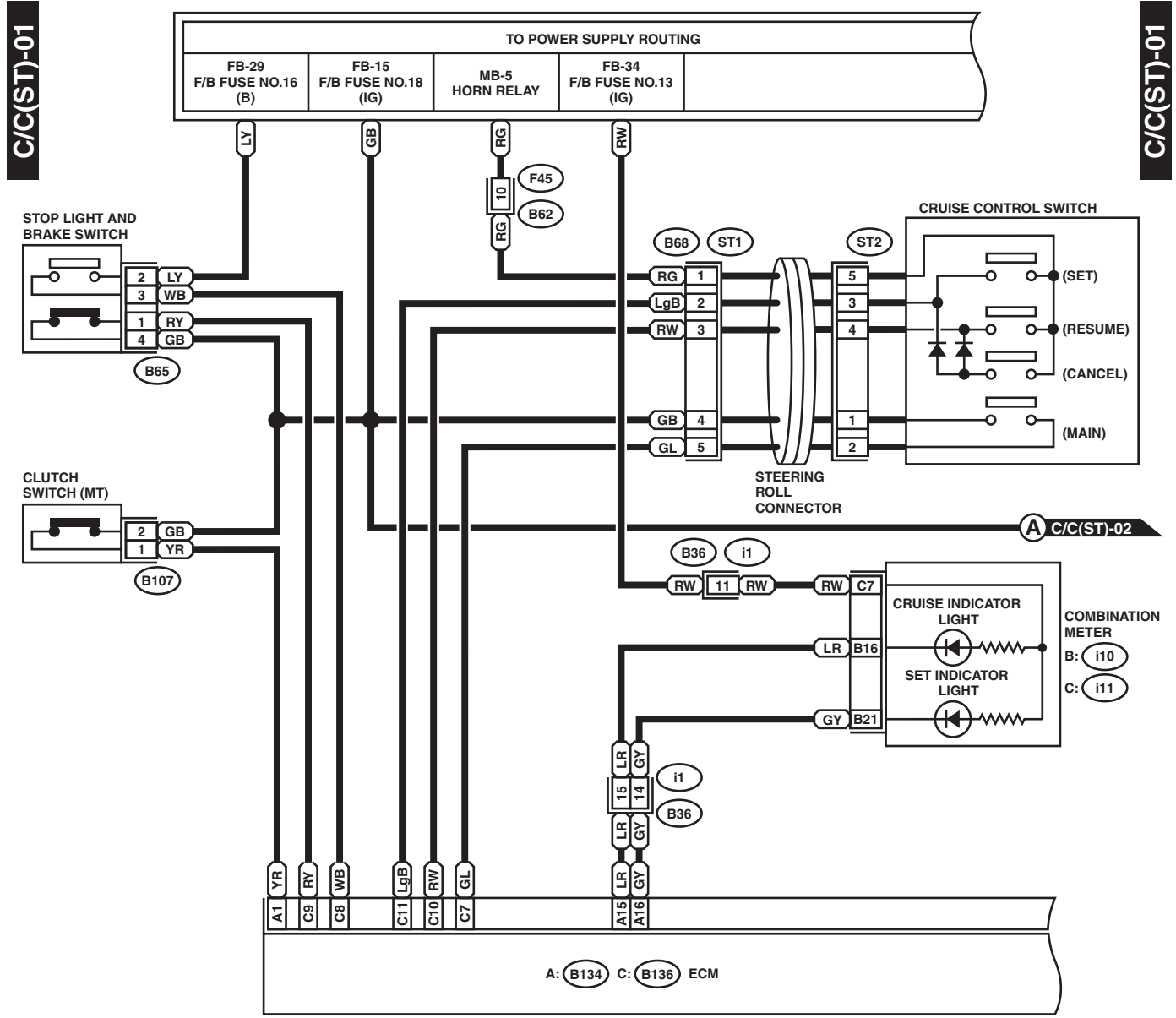


WI-05500

Cruise Control System

WIRING SYSTEM

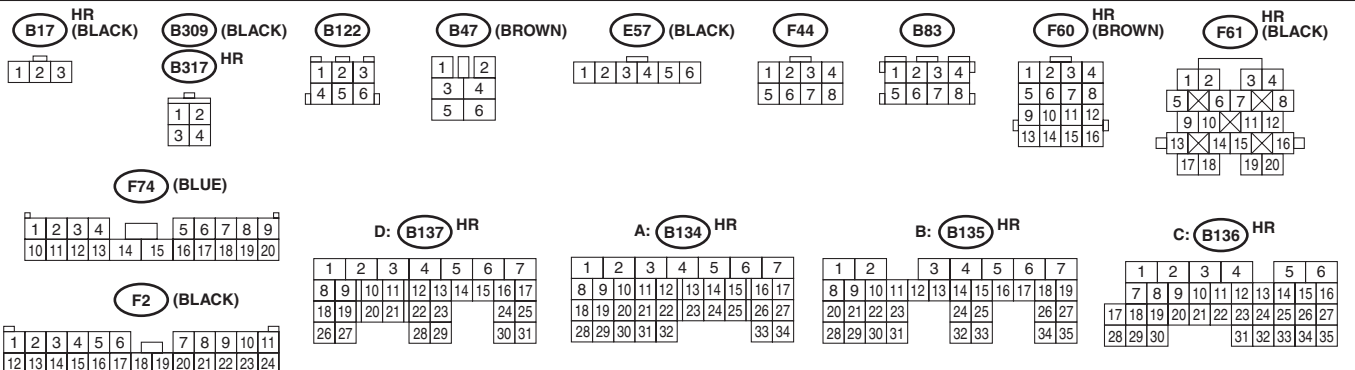
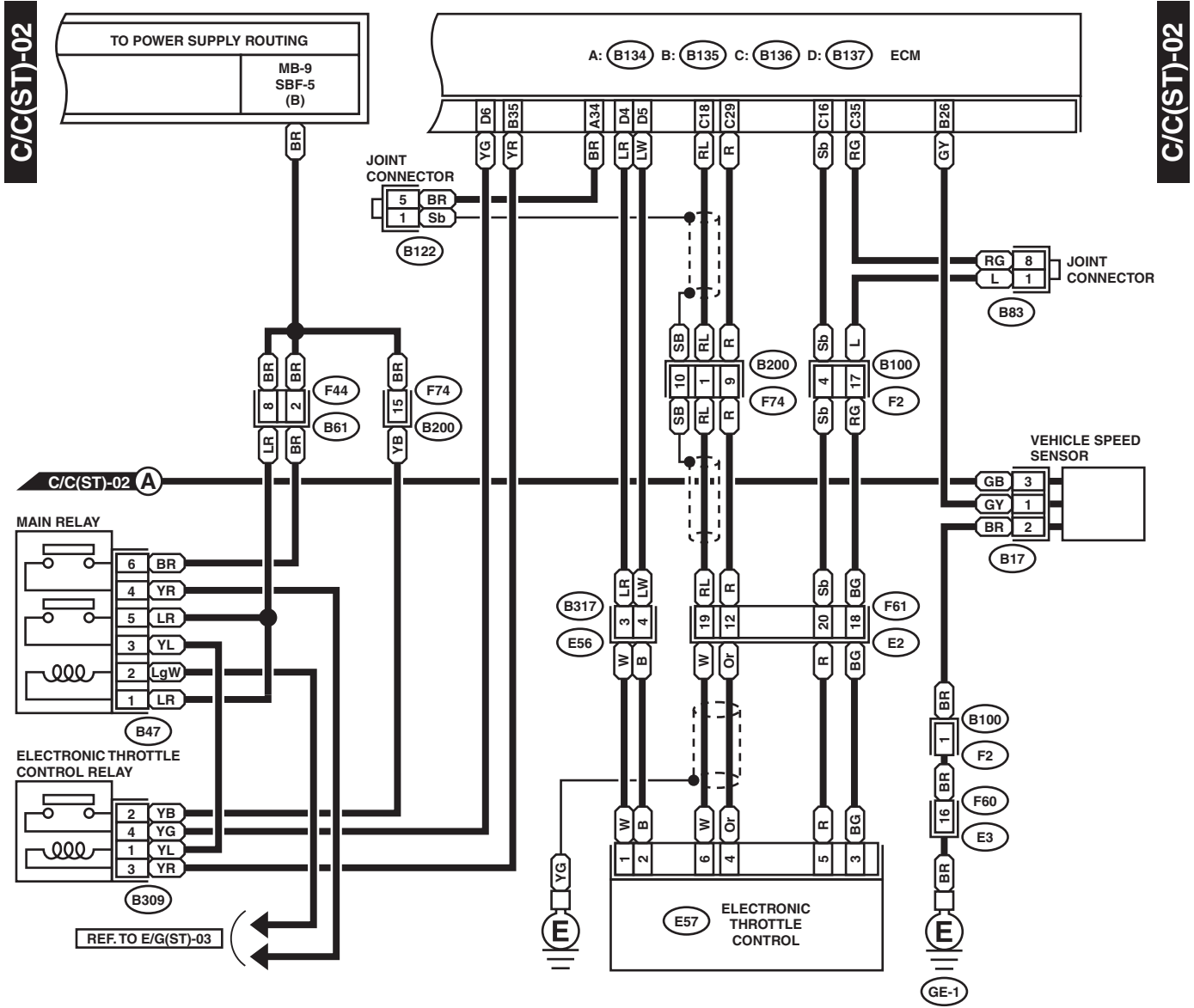
3. STi MODEL



WI-05626

Cruise Control System

WIRING SYSTEM

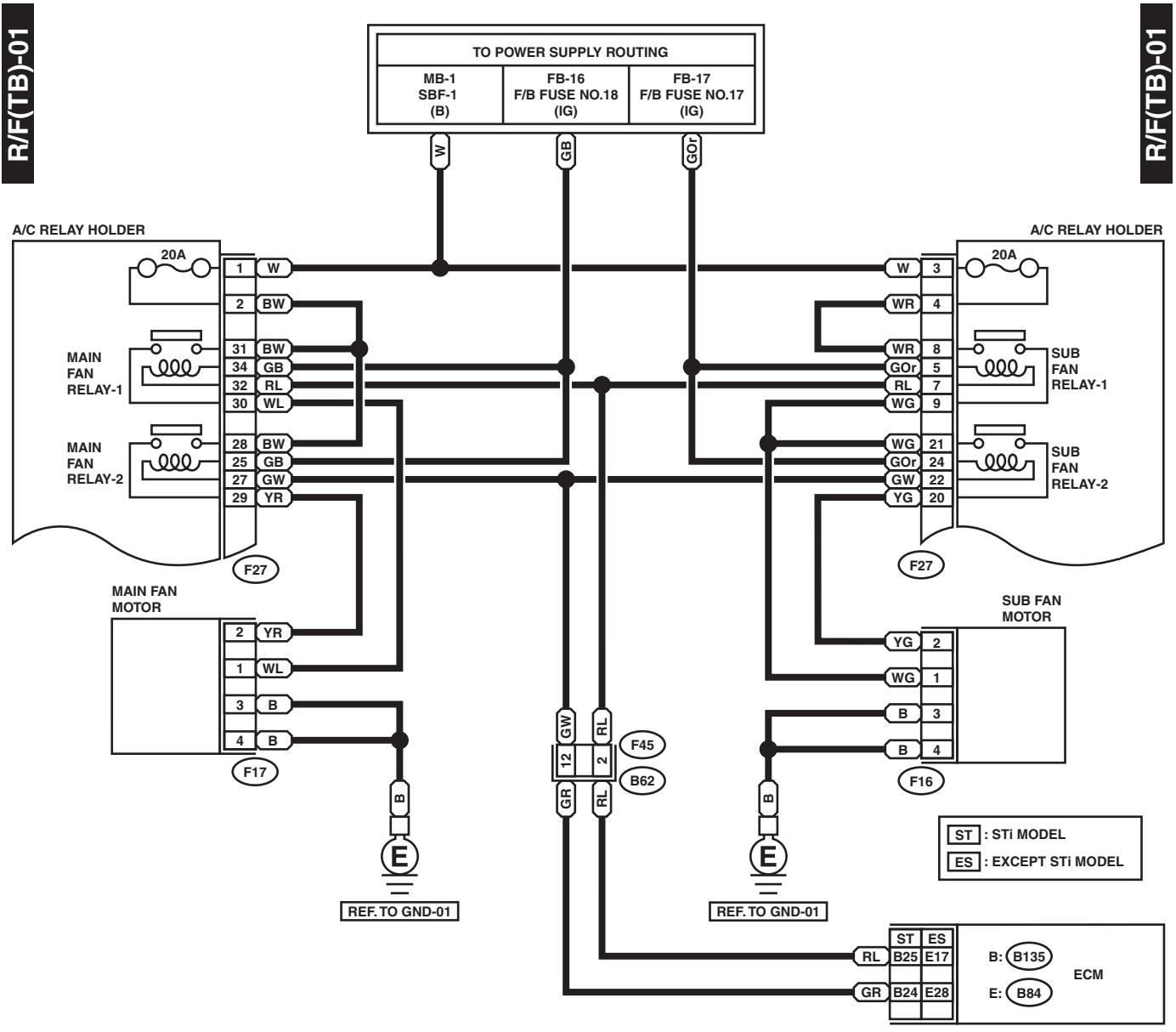


WI-05627

13. Radiator Fan System

A: WIRING DIAGRAM

1. EXCEPT FOR NON-TURBO MODEL



F16 (GRAY)

F45

ES E: B84 HR

ST B: B135 HR

F17 (GRAY)

1	2	3	4	5	6	7	8	9	10	11		
12	13	14	15	16	17	18	19	20	21	22	23	24

1	2	3	4	5	6	7	8	9			
10	11	12	13	14	15	16	17	18	19	20	21
22	23	24	25	26	27	28	29	30	31		

1	2	3	4	5	6	7					
8	9	10	11	12	13	14	15	16	17	18	19
20	21	22	23	24	25	26	27				
28	29	30	31	32	33	34	35				

F27 (BLACK)

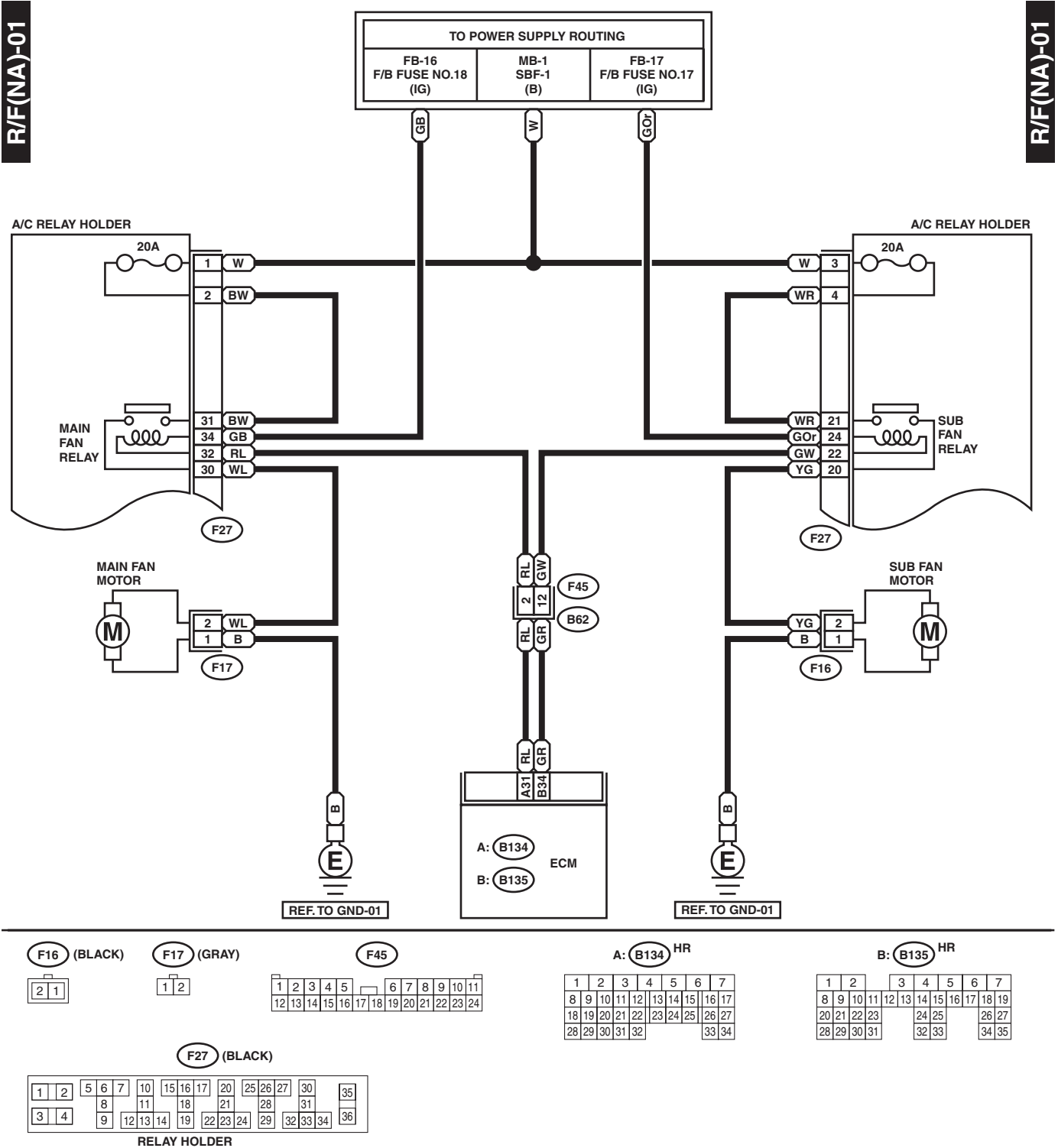
1	2	5	6	7	10	15	16	17	20	25	26	27	30	35
3	4	8	11	18	21	28	31							
9	12	13	14	19	22	23	24	29	32	33	34	36		

RELAY HOLDER

Radiator Fan System

WIRING SYSTEM

2. NON-TURBO MODEL



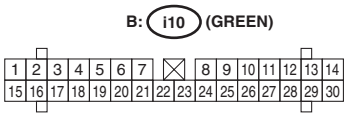
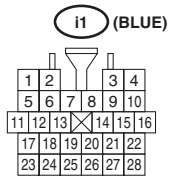
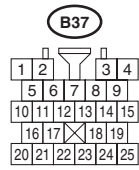
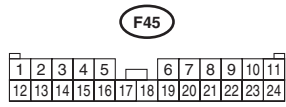
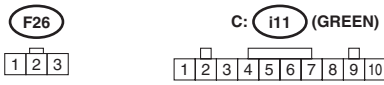
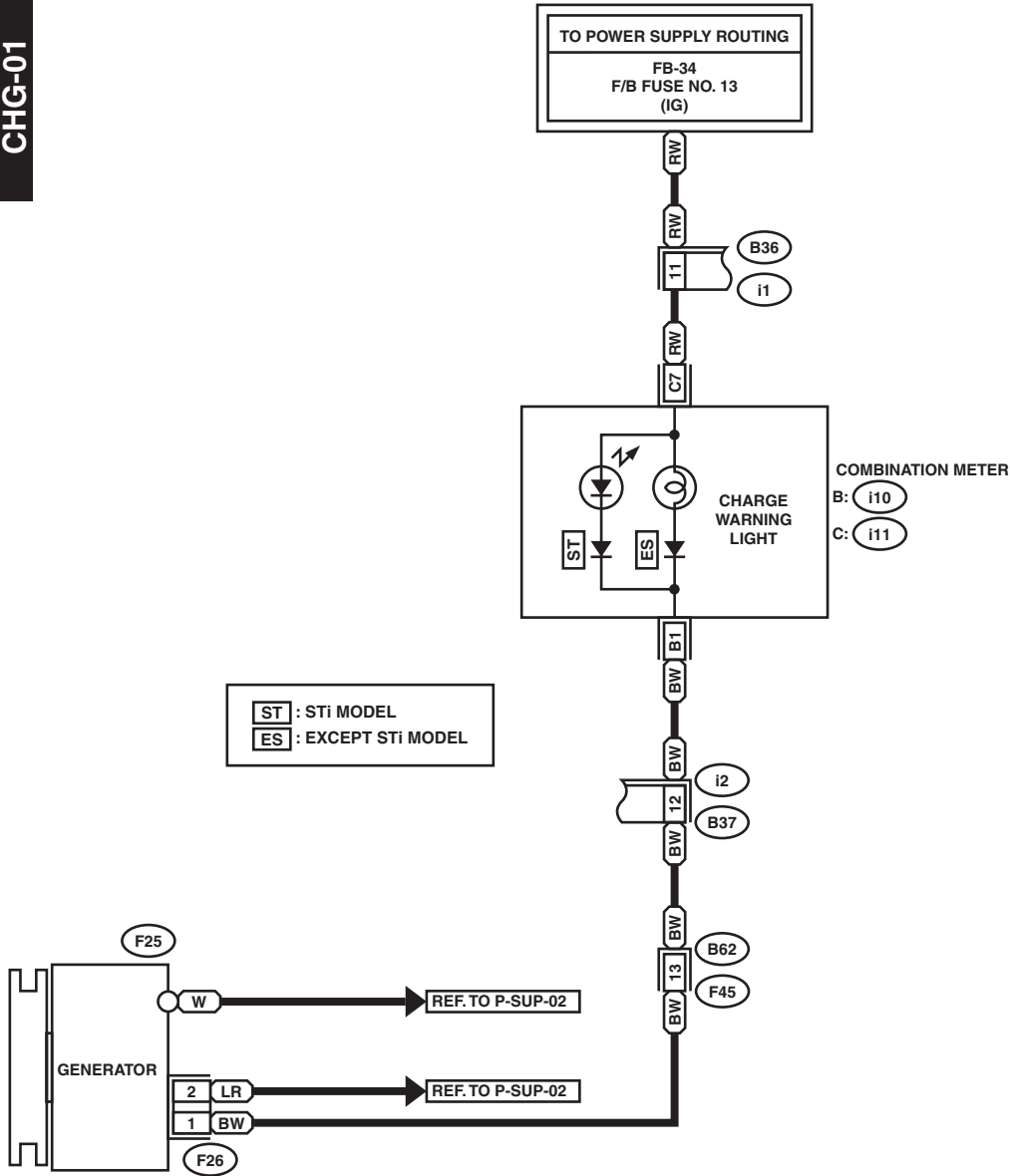
WI-05610

14. Charging System

A: WIRING DIAGRAM

CHG-01

CHG-01



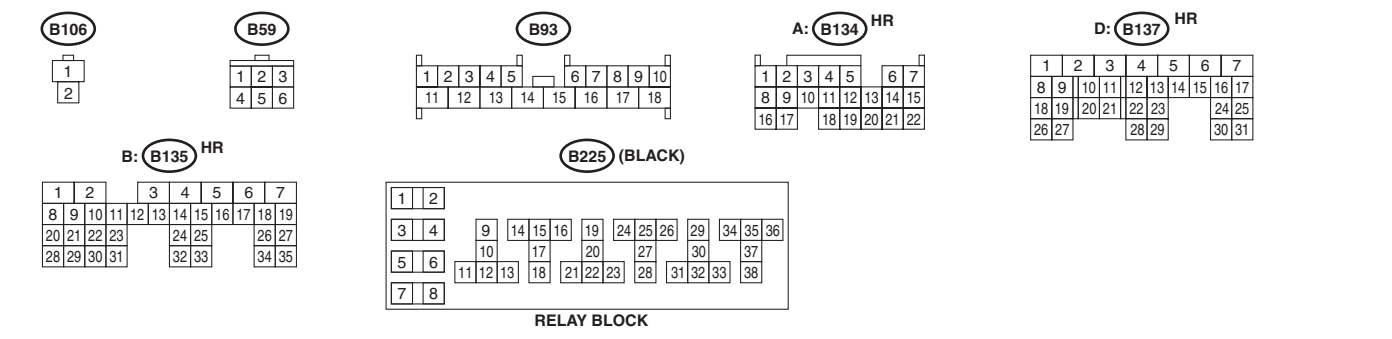
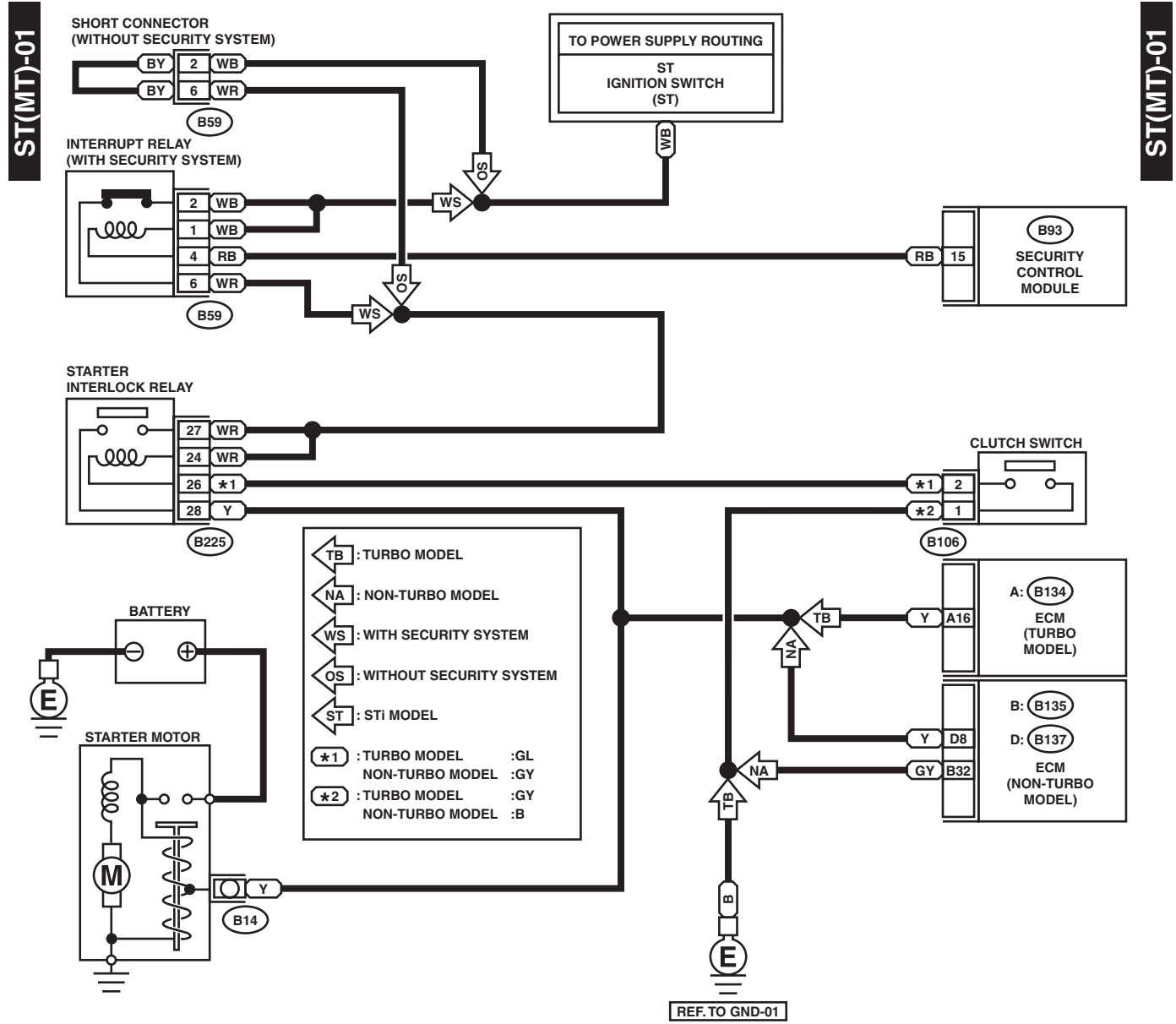
Starter System

WIRING SYSTEM

15. Starter System

A: WIRING DIAGRAM

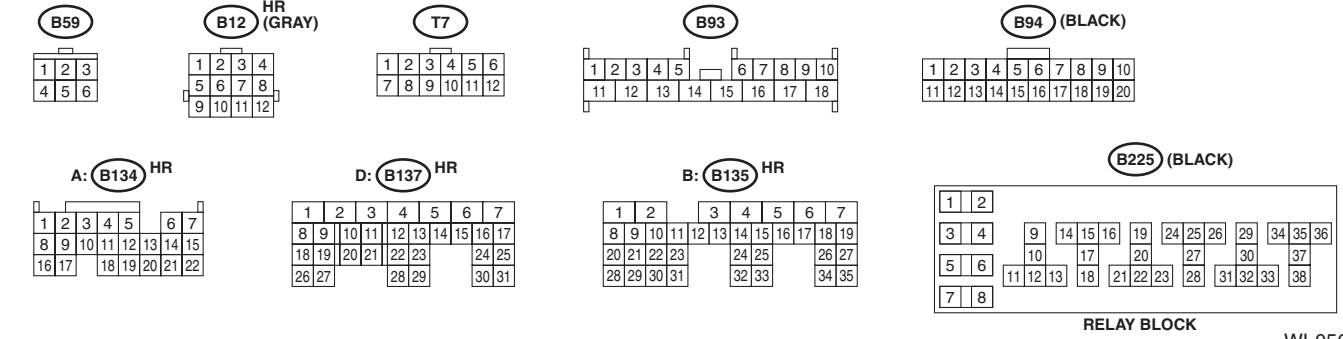
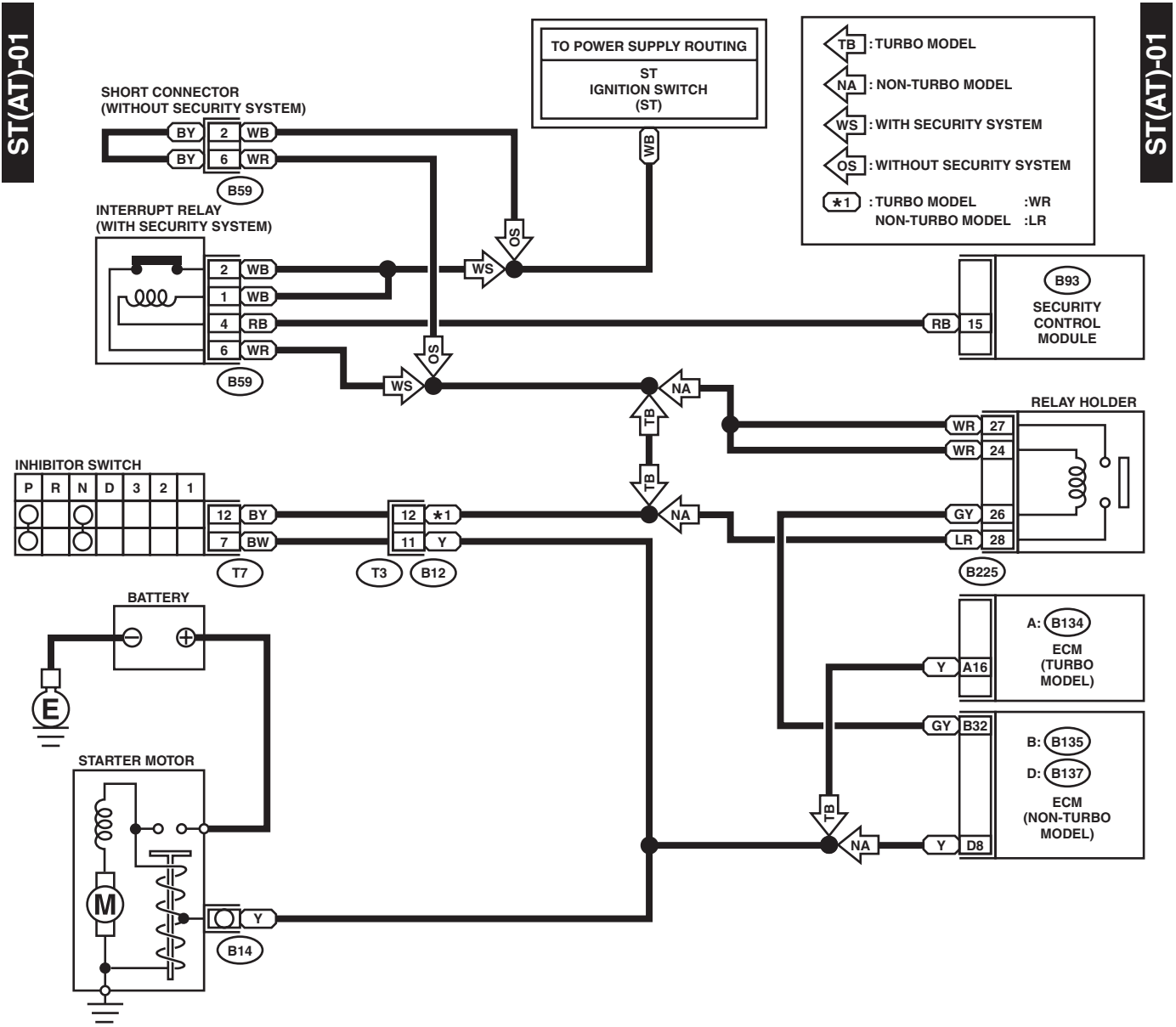
1. MT MODEL



WI-05619

Starter System

2. AT MODEL



RELAY BLOCK

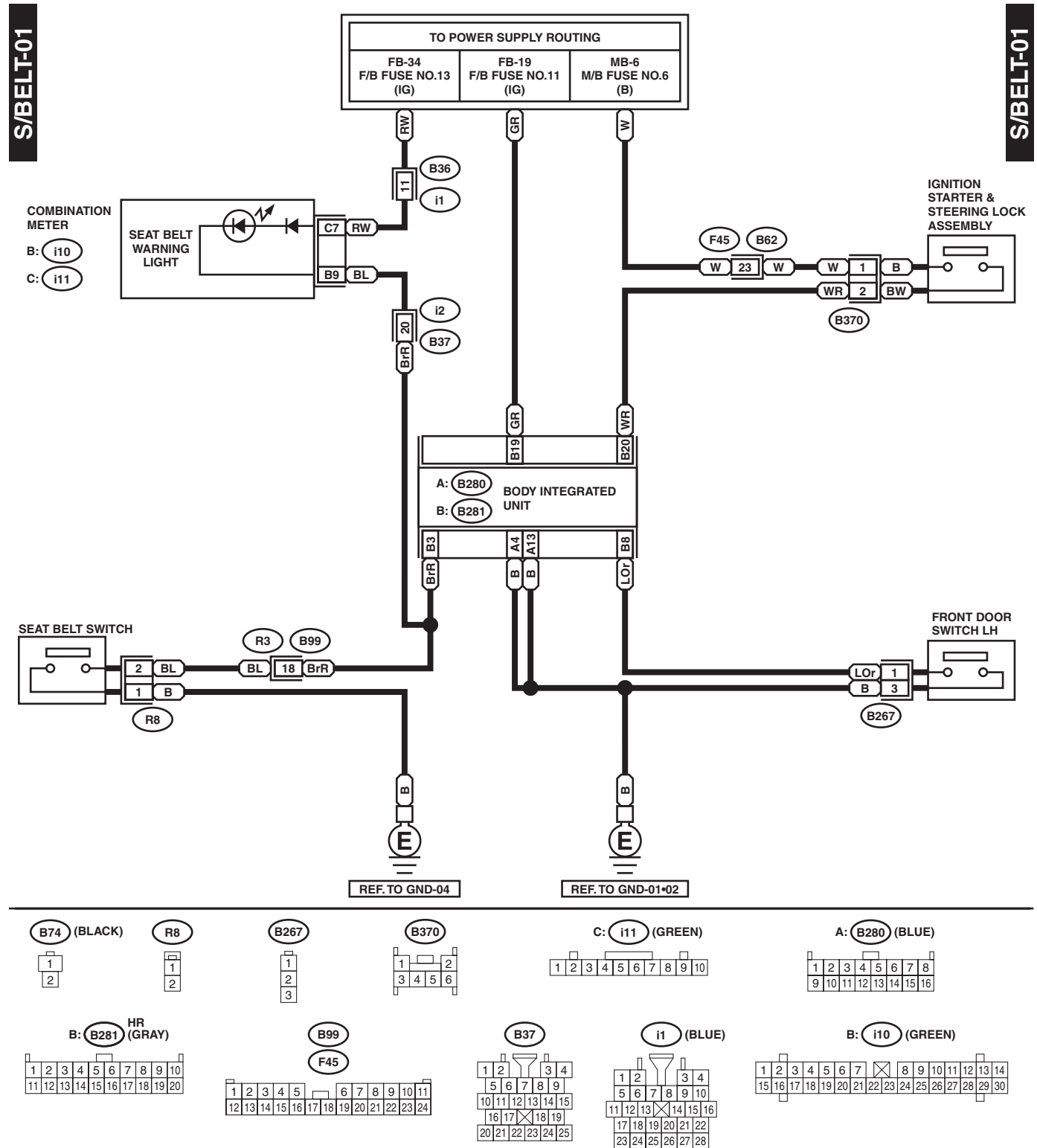
WI-05620

Seat Belt Warning System

WIRING SYSTEM

16. Seat Belt Warning System

A: WIRING DIAGRAM



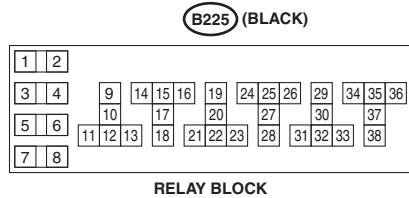
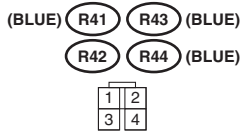
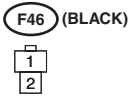
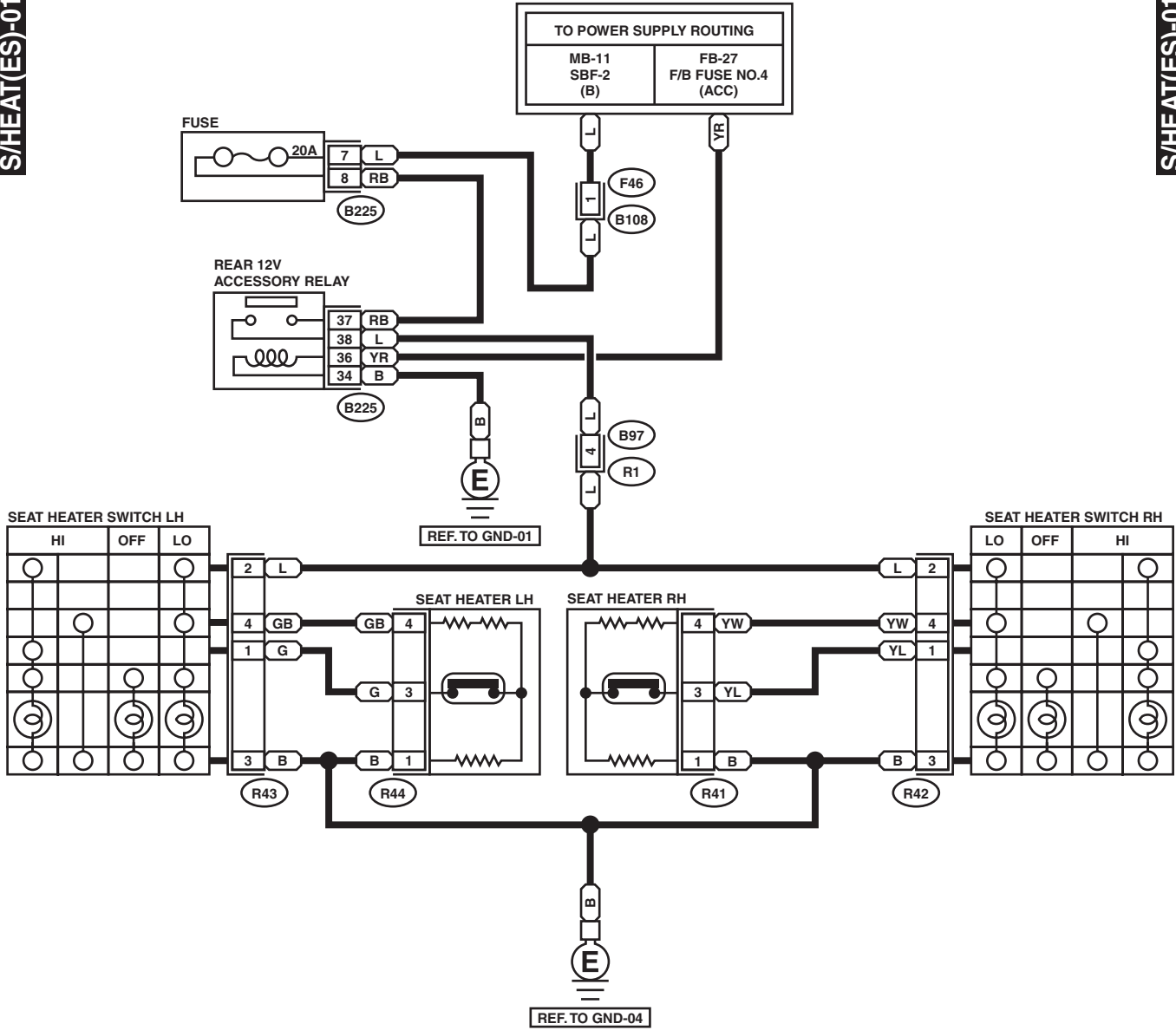
WI-05615

17. Seat Heater System

A: WIRING DIAGRAM

S/HEAT(ES)-01

S/HEAT(ES)-01

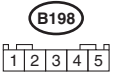
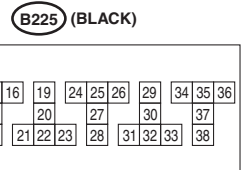
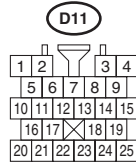
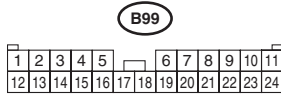
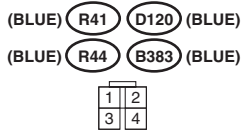
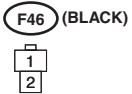
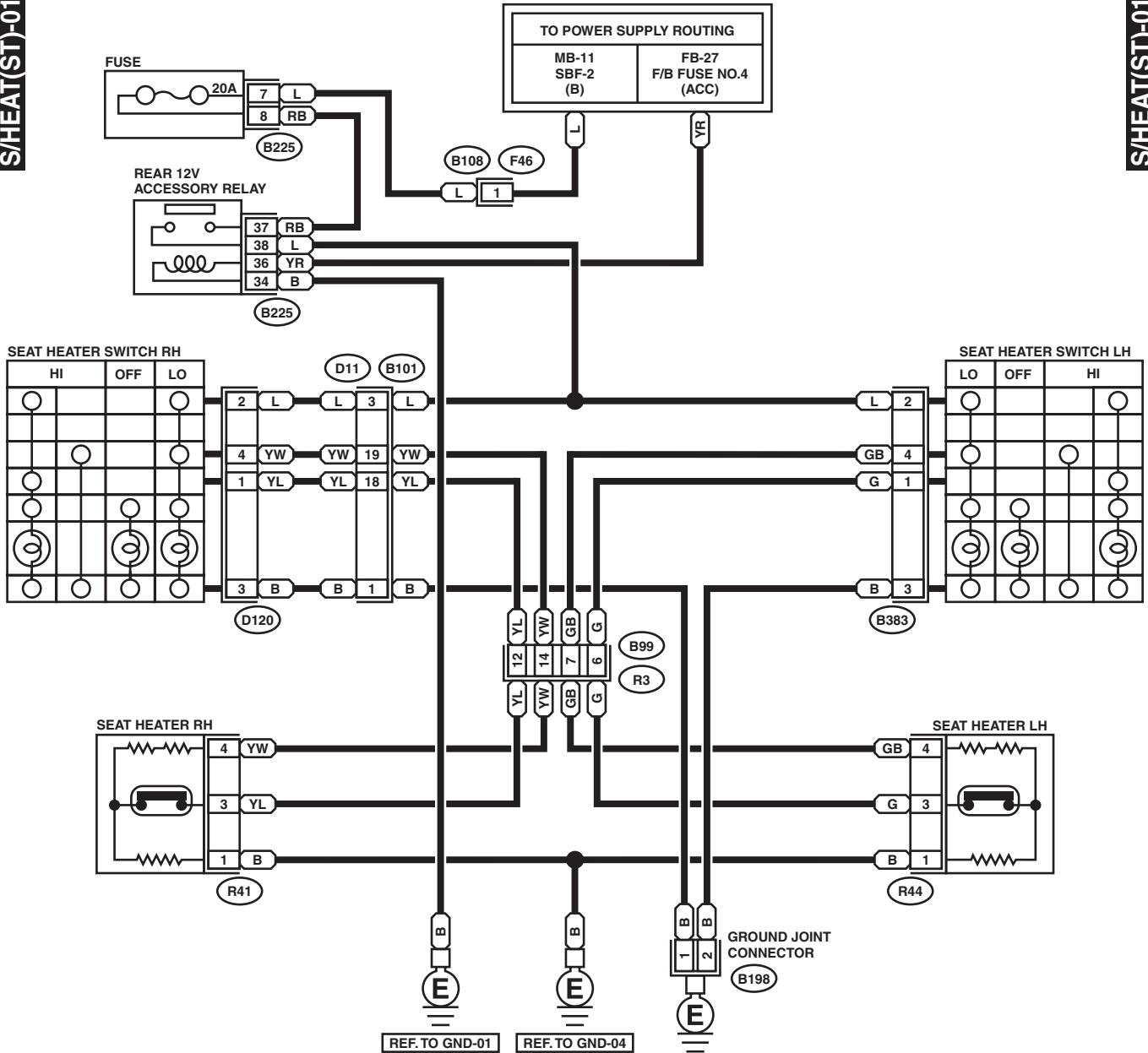


Seat Heater System

WIRING SYSTEM

S/HEAT(ST)-01

S/HEAT(ST)-01

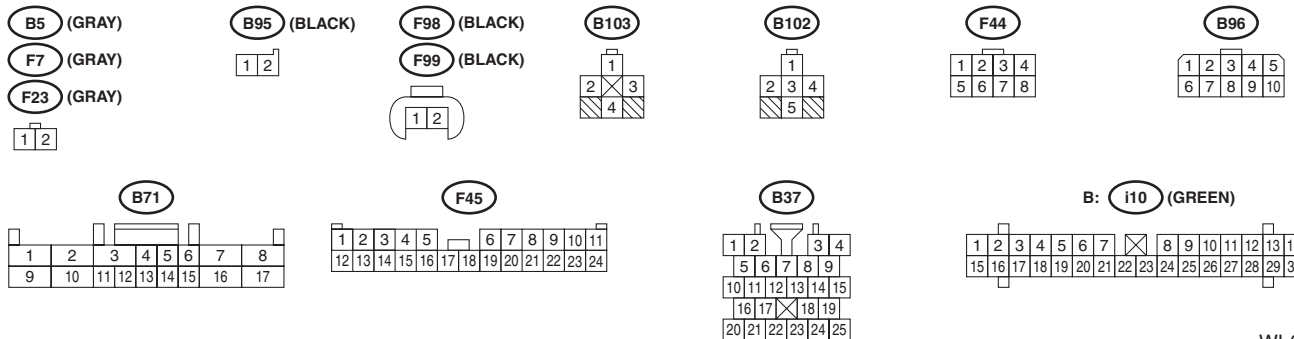
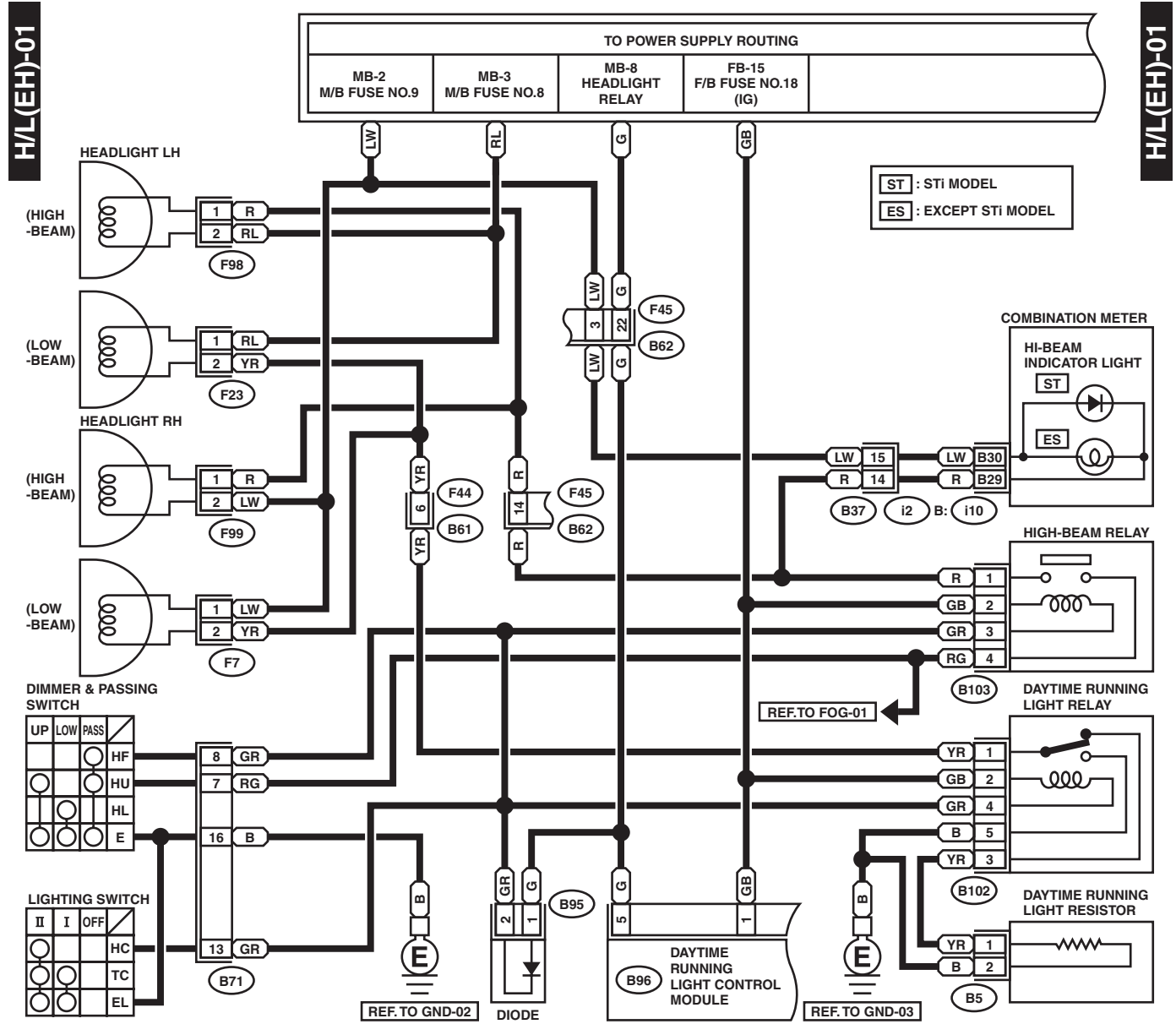


WI-05510

18. Headlight System

A: WIRING DIAGRAM

1. MODEL WITHOUT HID

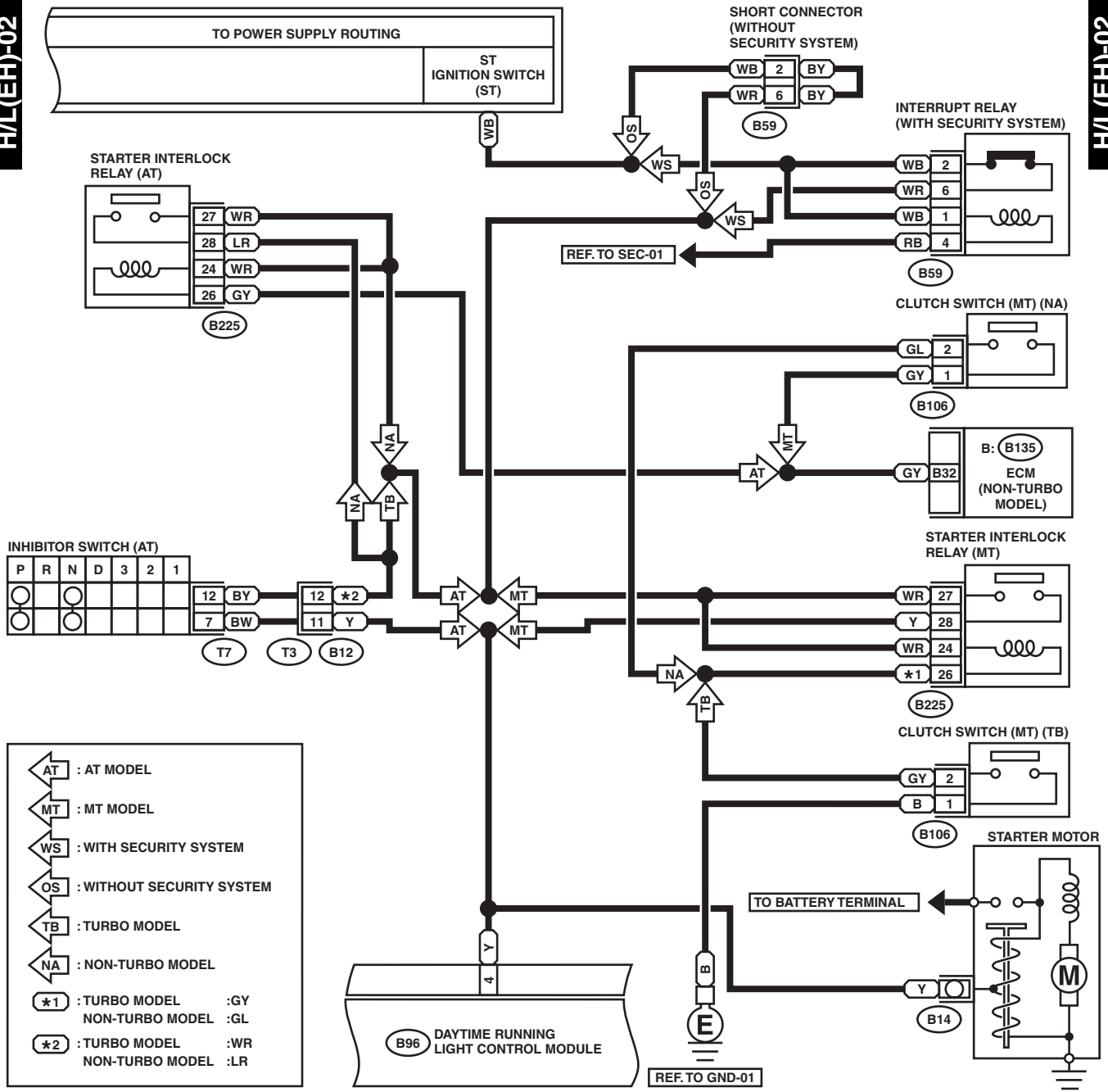


Headlight System

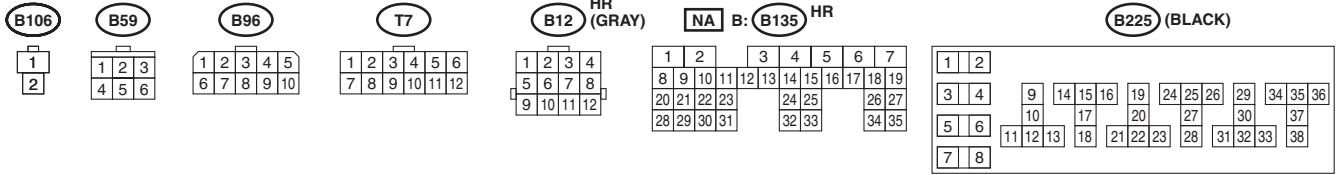
WIRING SYSTEM

H/L(EH)-02

H/L(EH)-02



- ← AT : AT MODEL
- ← MT : MT MODEL
- ← WS : WITH SECURITY SYSTEM
- ← OS : WITHOUT SECURITY SYSTEM
- ← TB : TURBO MODEL
- ← NA : NON-TURBO MODEL
- ← *1 : TURBO MODEL :GY
NON-TURBO MODEL :GL
- ← *2 : TURBO MODEL :WR
NON-TURBO MODEL :LR



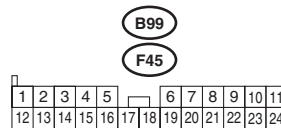
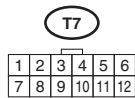
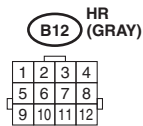
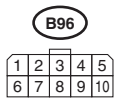
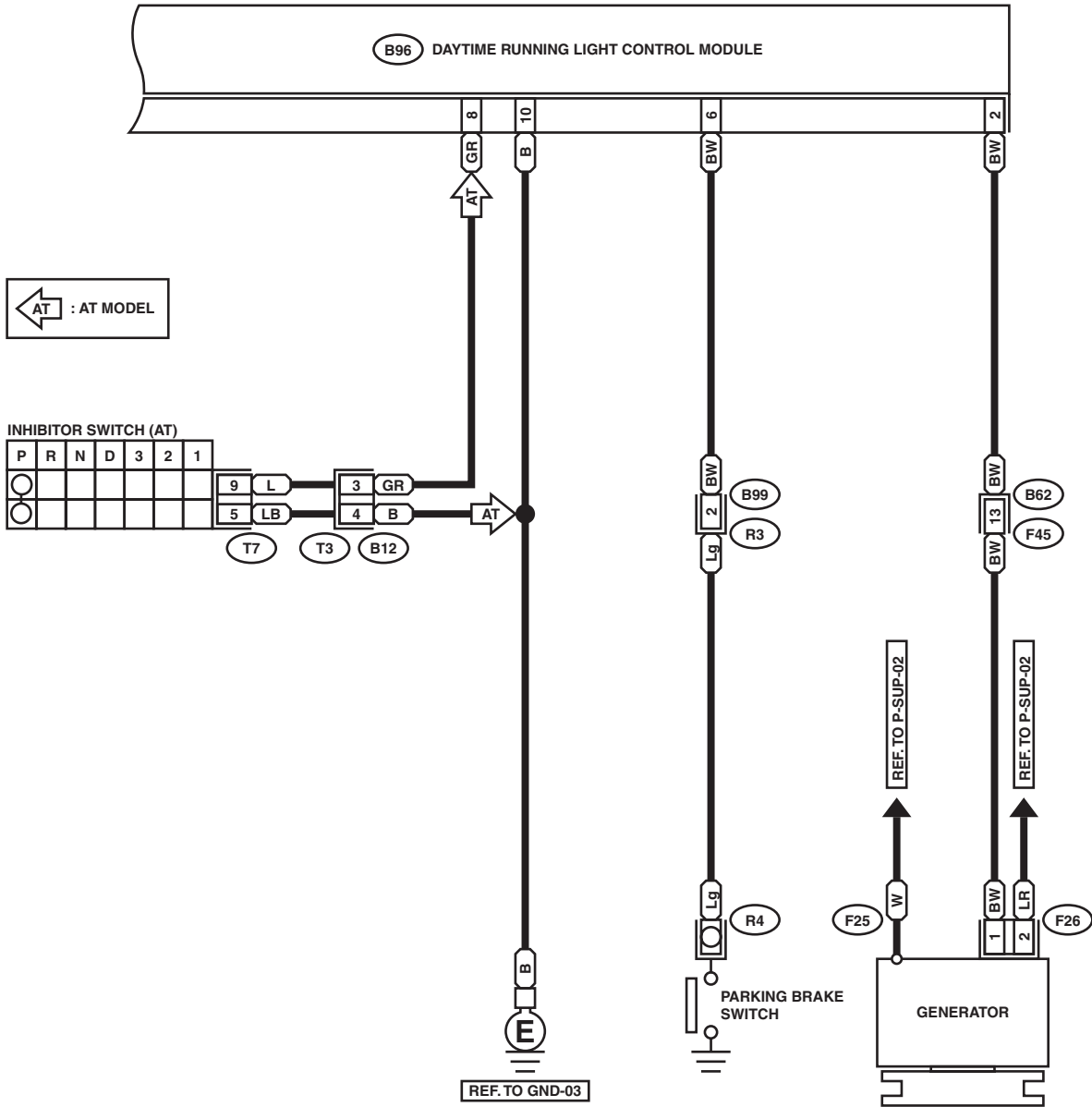
RELAY BLOCK WI-05599

Headlight System

WIRING SYSTEM

H/L(EH)-03

H/L(EH)-03

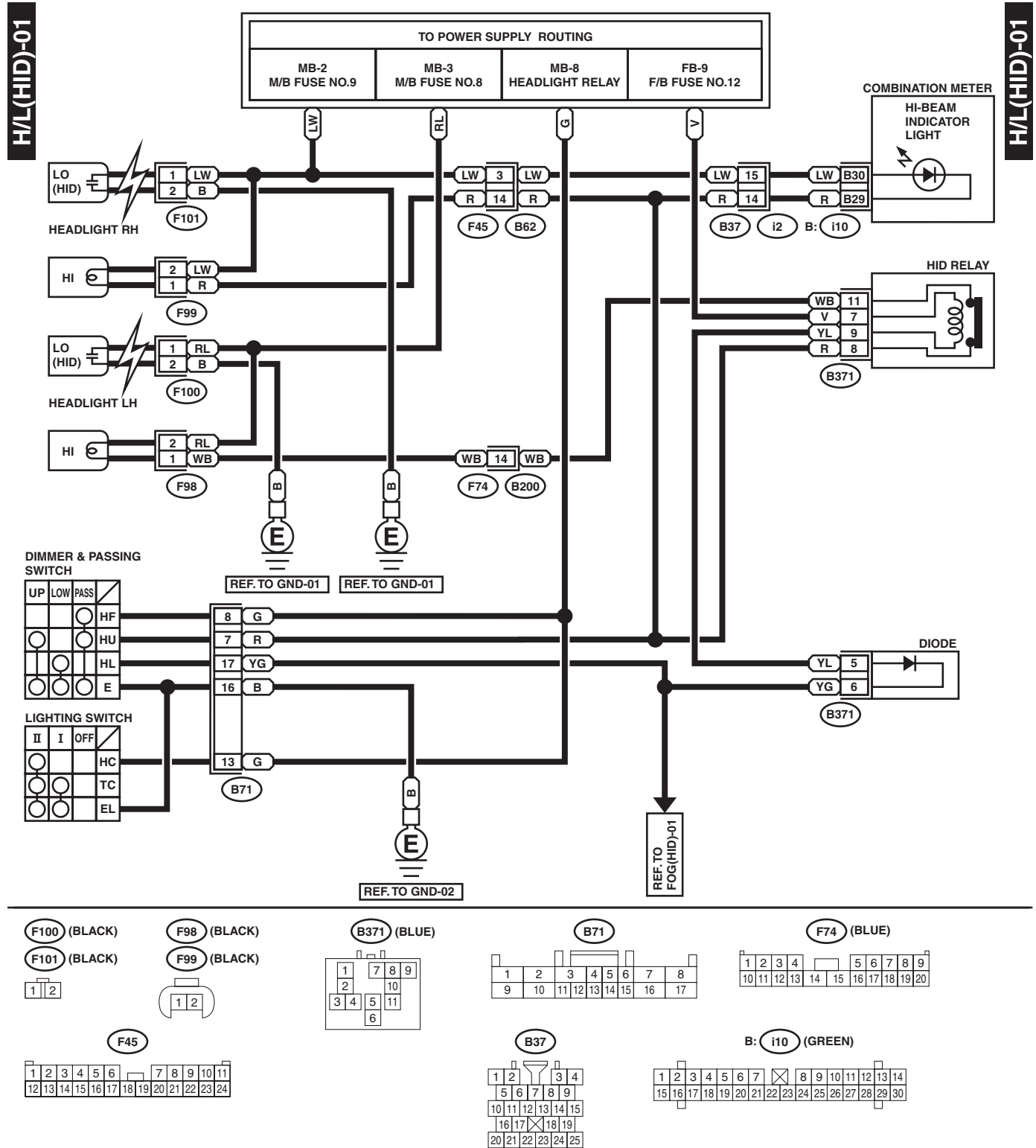


WI-05600

Headlight System

WIRING SYSTEM

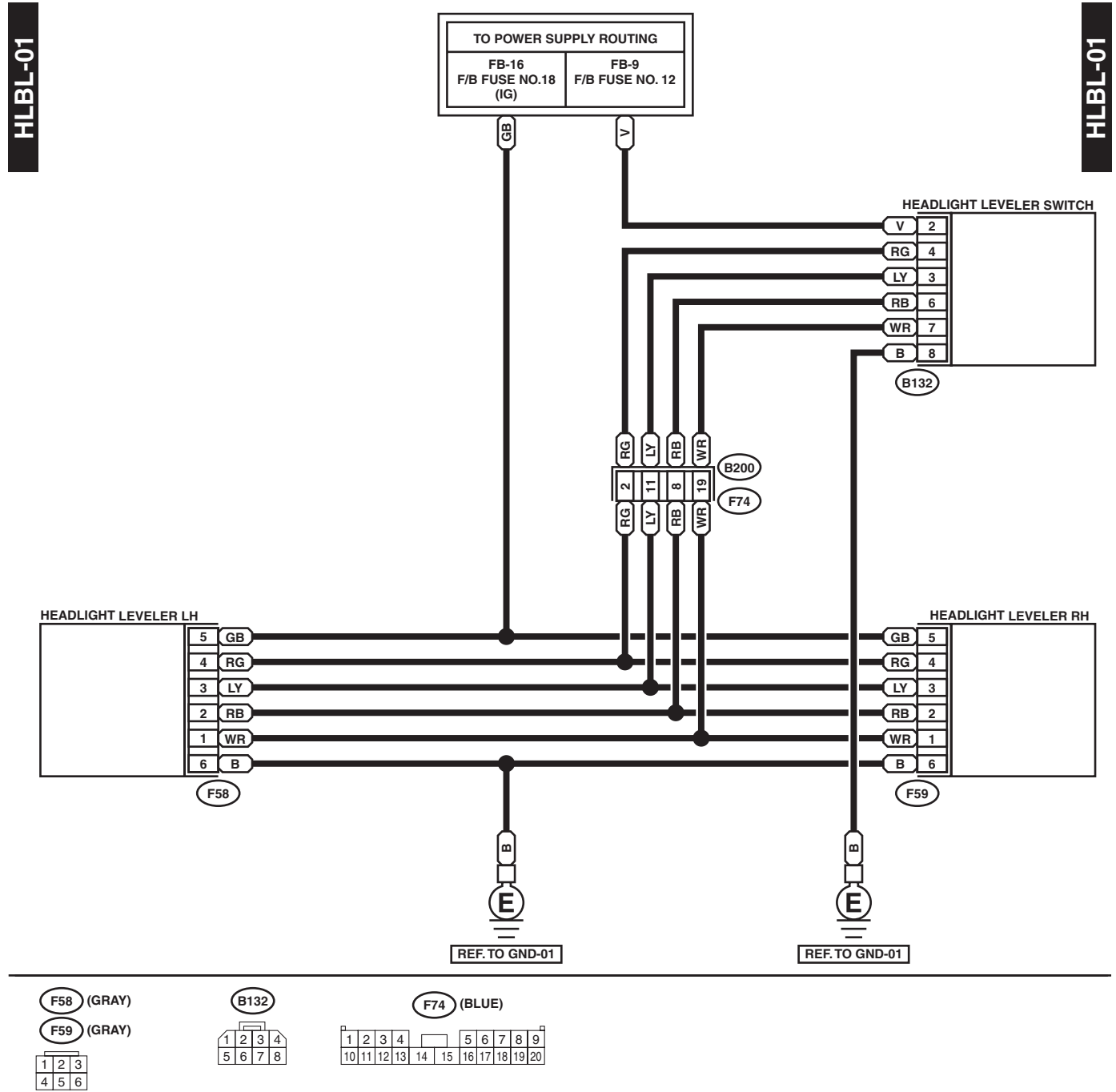
2. MODEL WITH HID



WI-05601

19. Headlight Beam Leveler System

A: WIRING DIAGRAM

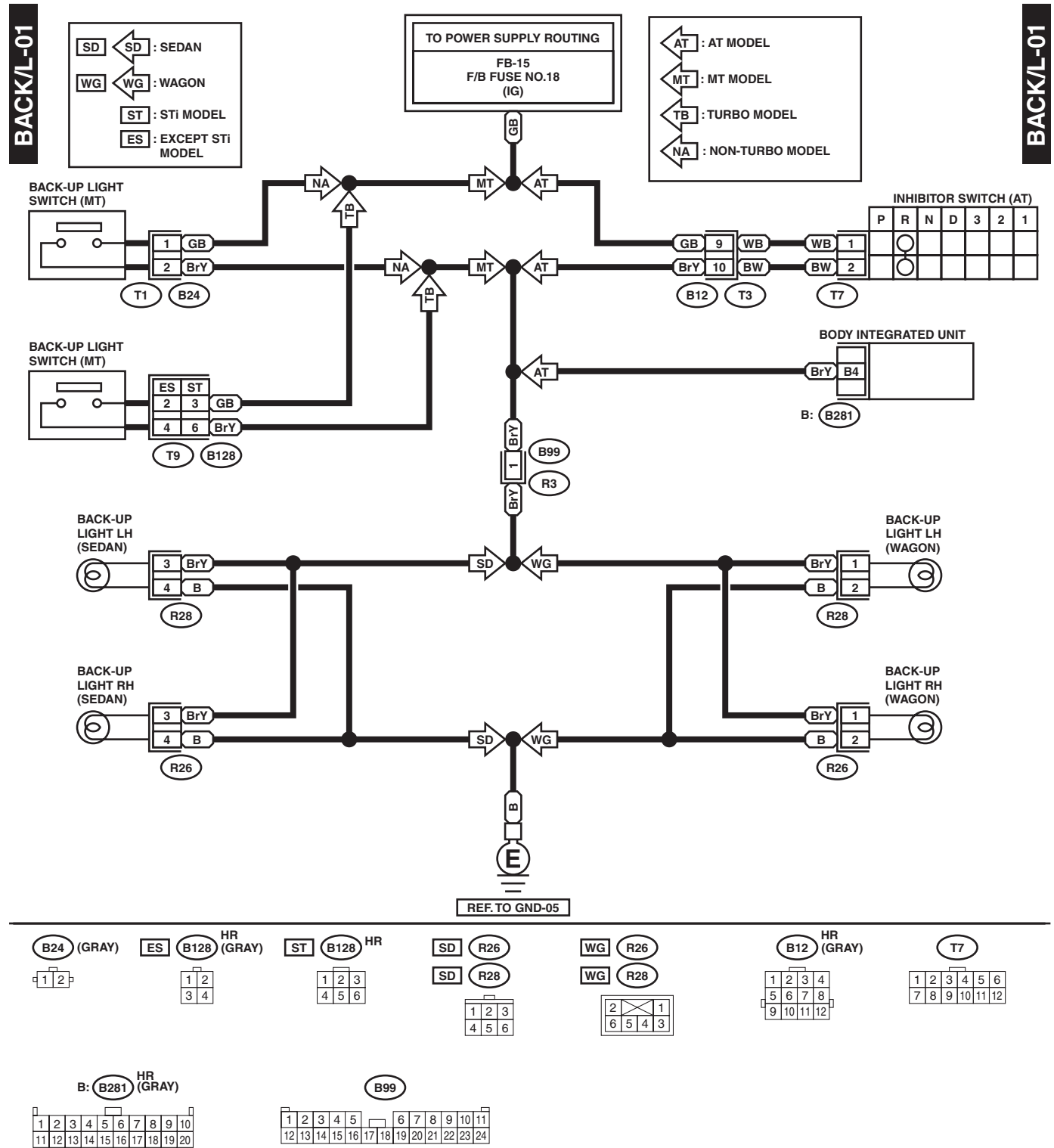


Back-up Light System

WIRING SYSTEM

21. Back-up Light System

A: WIRING DIAGRAM

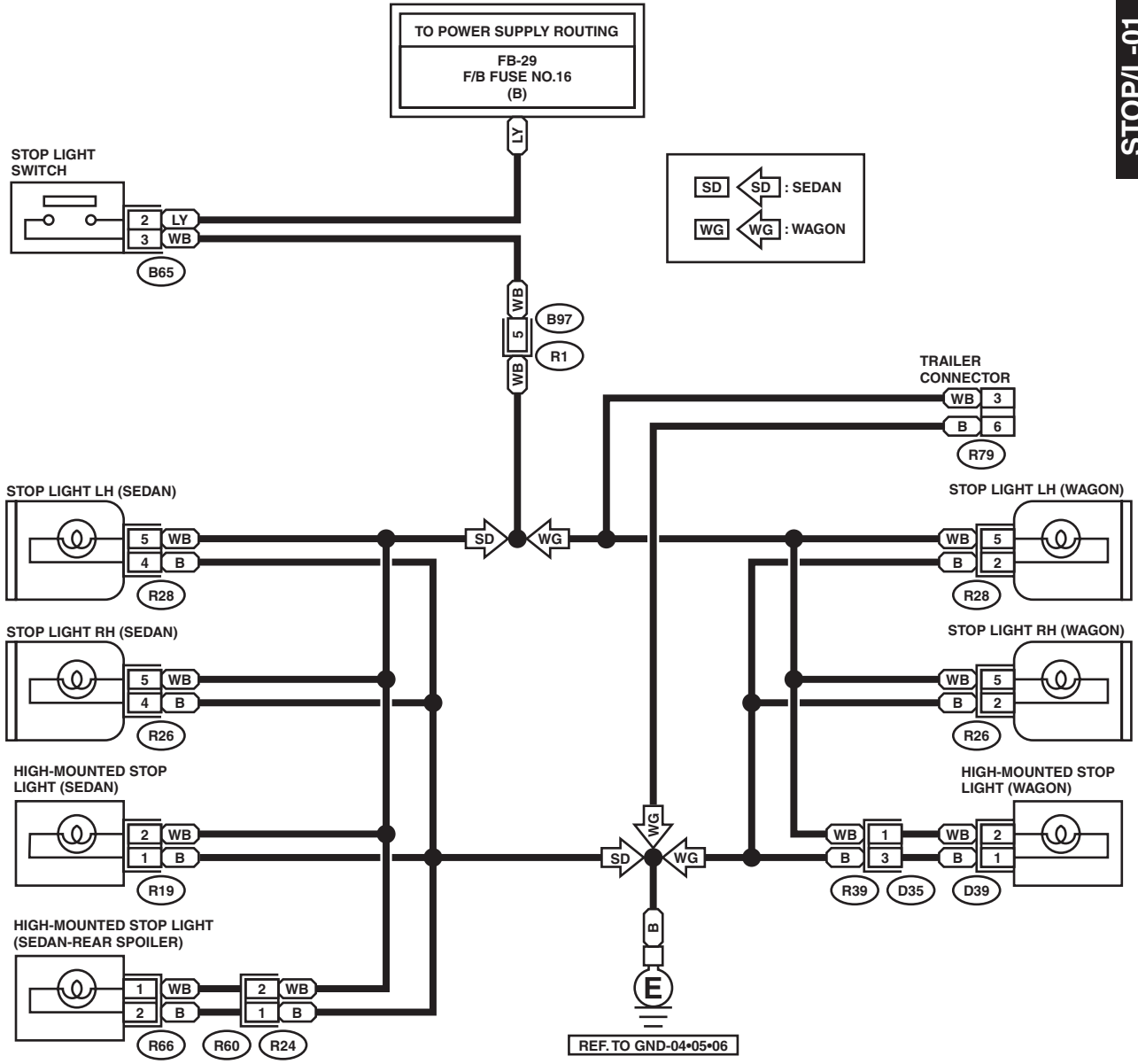


22.Stop Light System

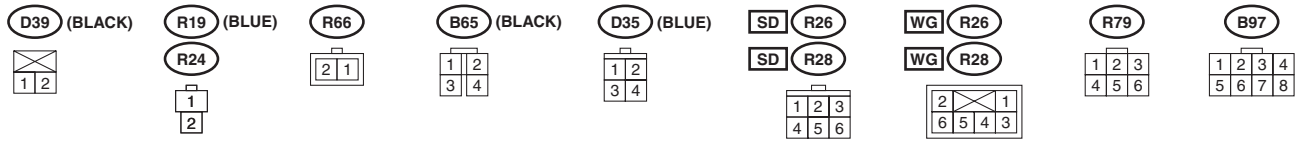
A: WIRING DIAGRAM

STOP/L-01

STOP/L-01



REF. TO GND-04*05*06



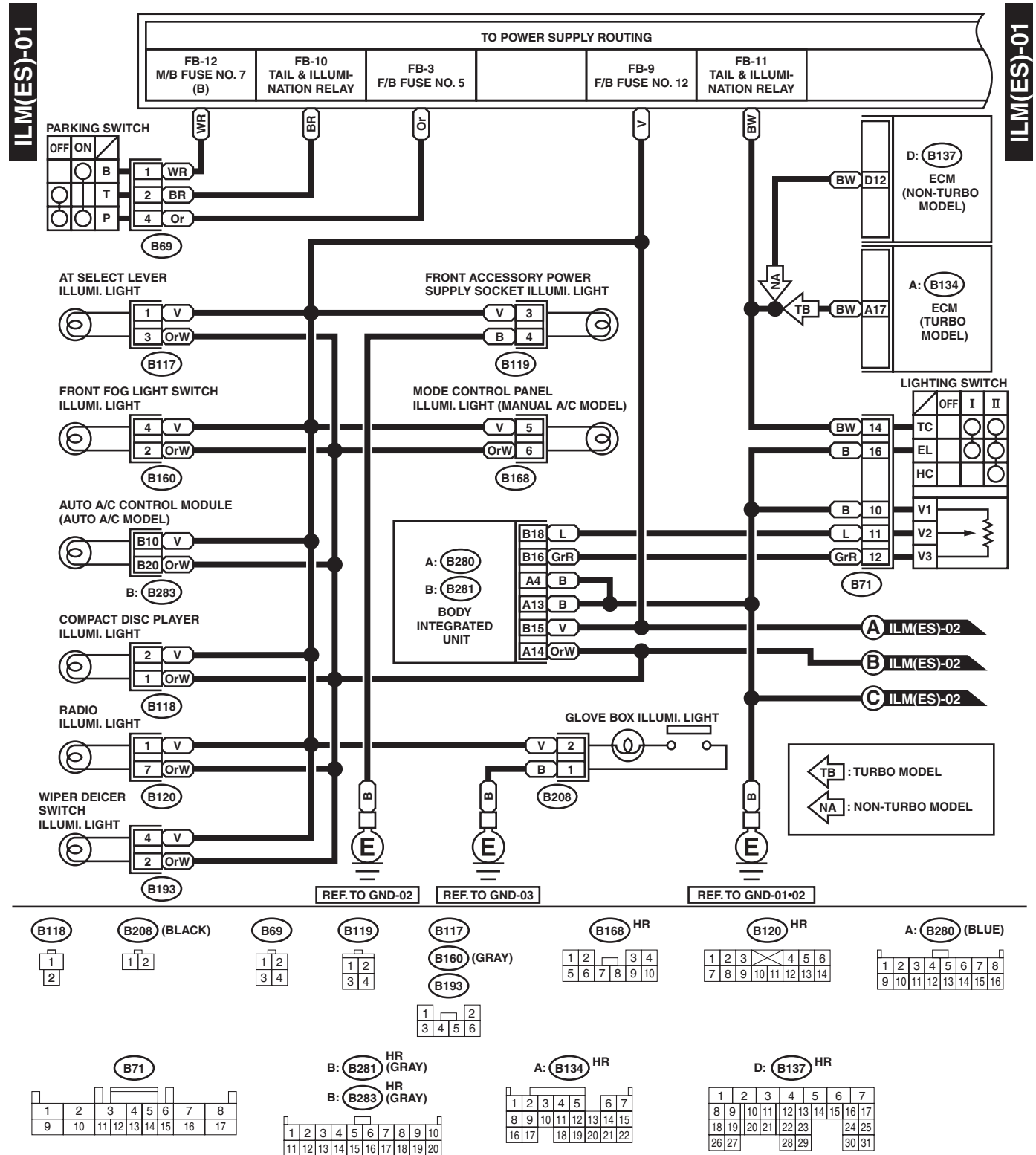
Clearance Light and Illumination Light System

WIRING SYSTEM

23. Clearance Light and Illumination Light System

A: WIRING DIAGRAM

1. EXCEPT FOR STi MODEL



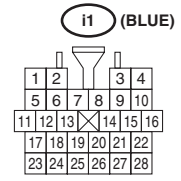
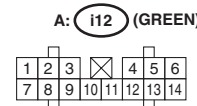
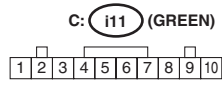
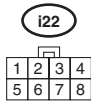
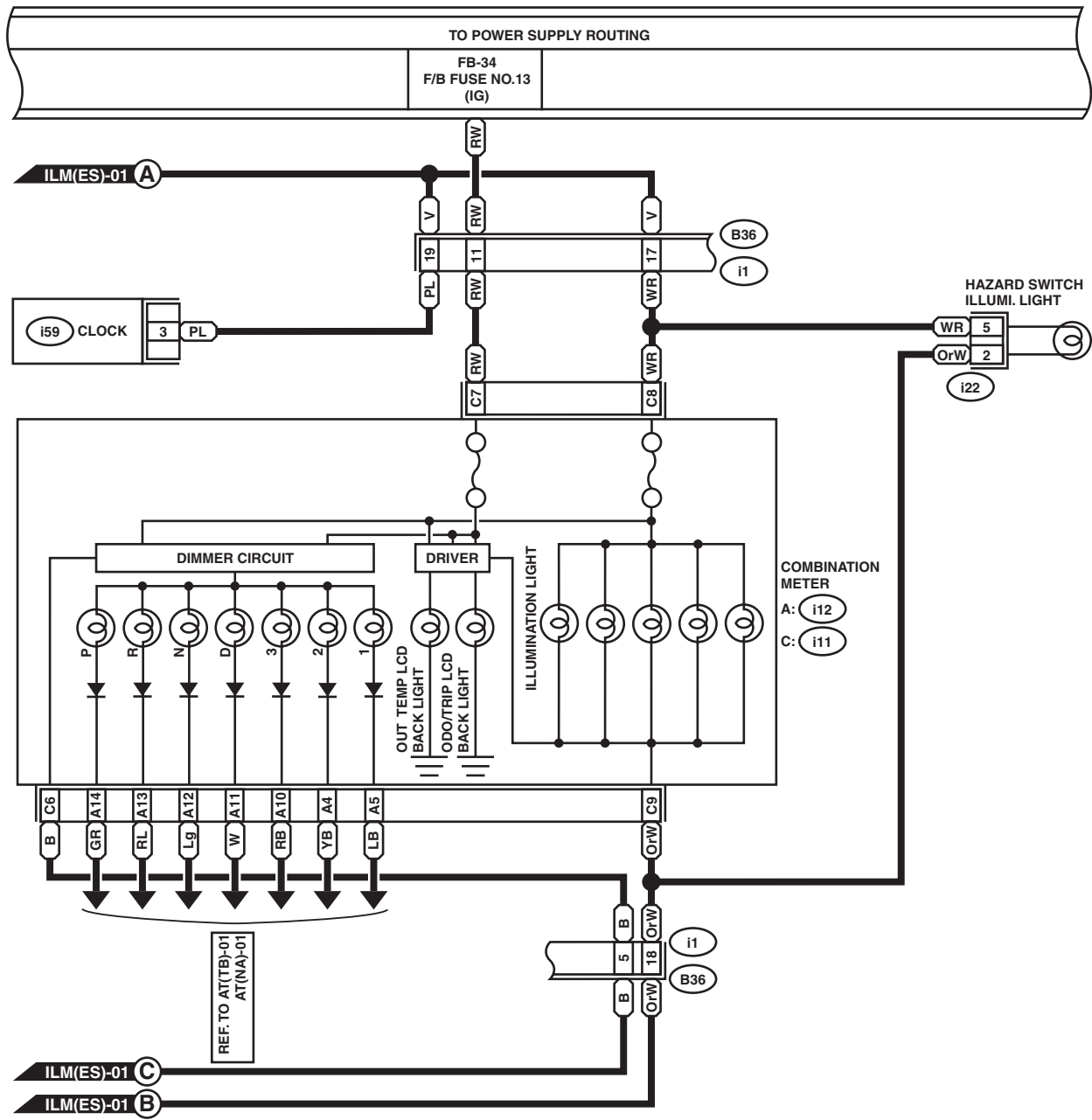
WI-05592

Clearance Light and Illumination Light System

WIRING SYSTEM

ILM(ES)-02

ILM(ES)-02



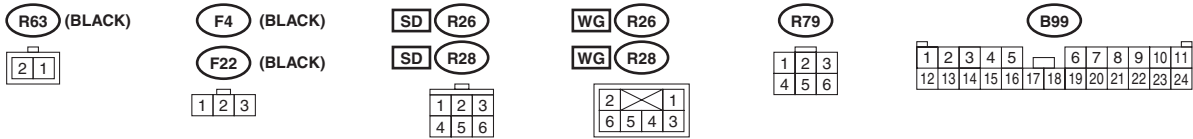
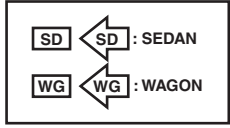
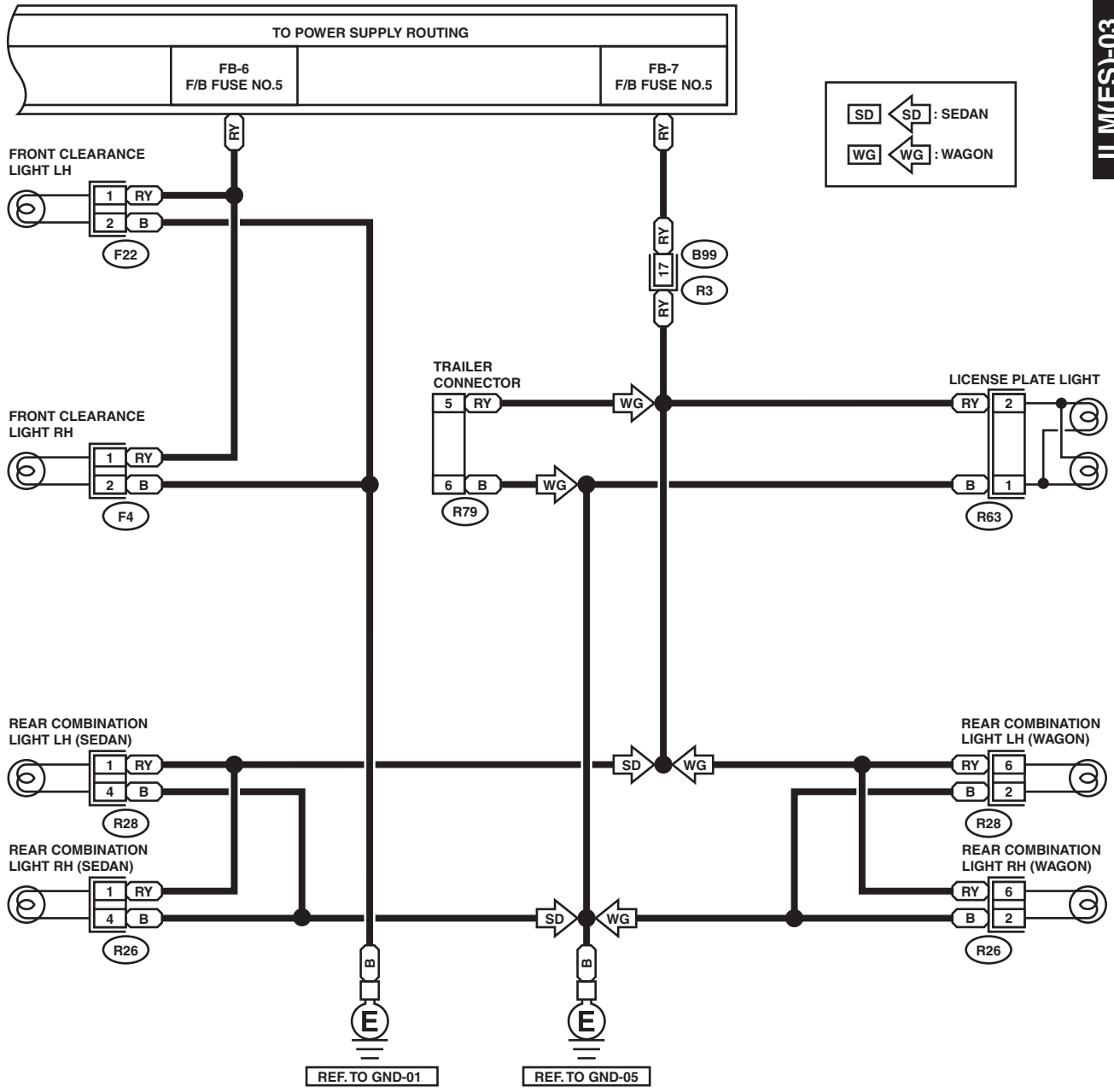
WI-05593

Clearance Light and Illumination Light System

WIRING SYSTEM

ILM(ES)-03

ILM(ES)-03

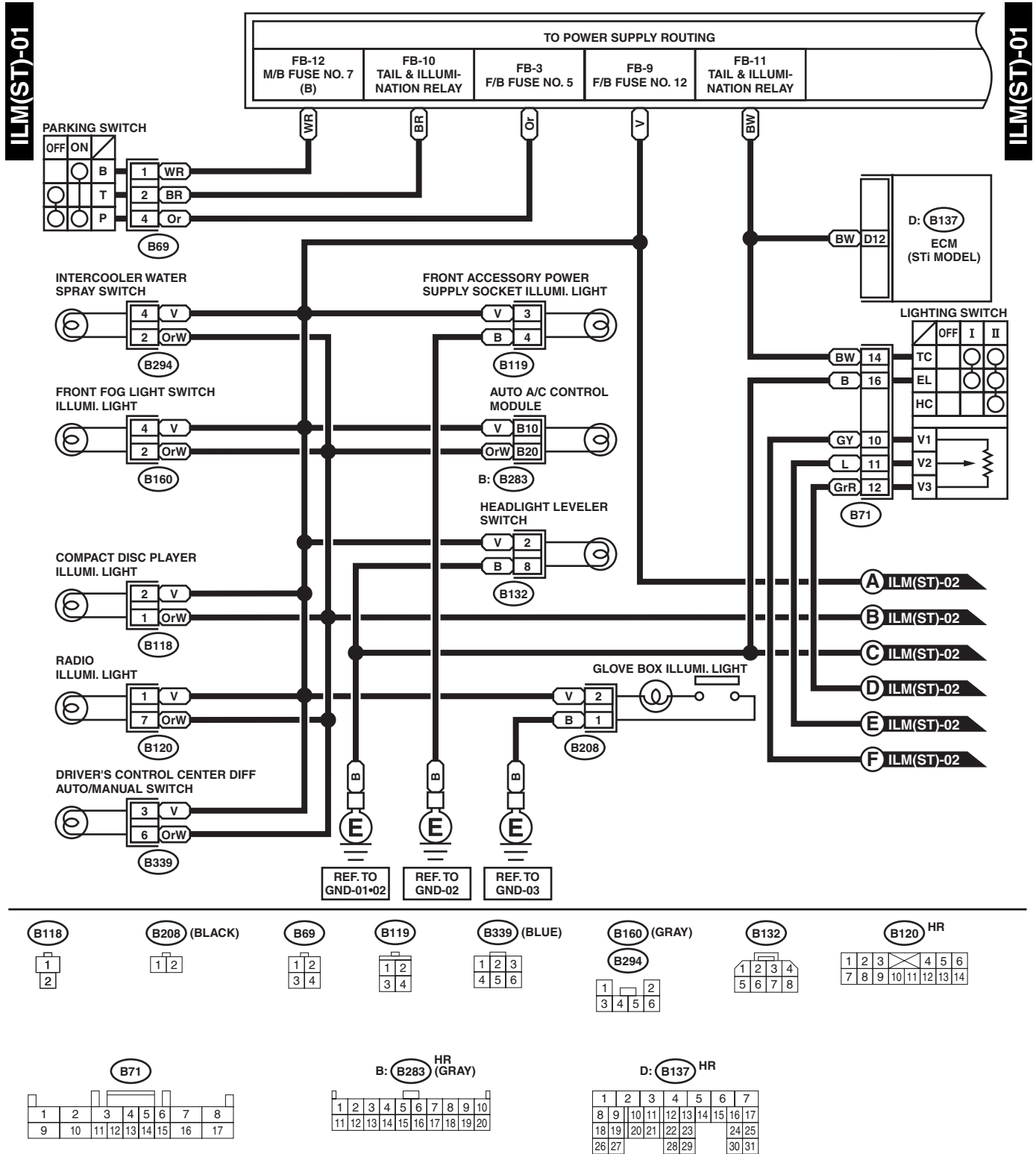


WI-02493

Clearance Light and Illumination Light System

WIRING SYSTEM

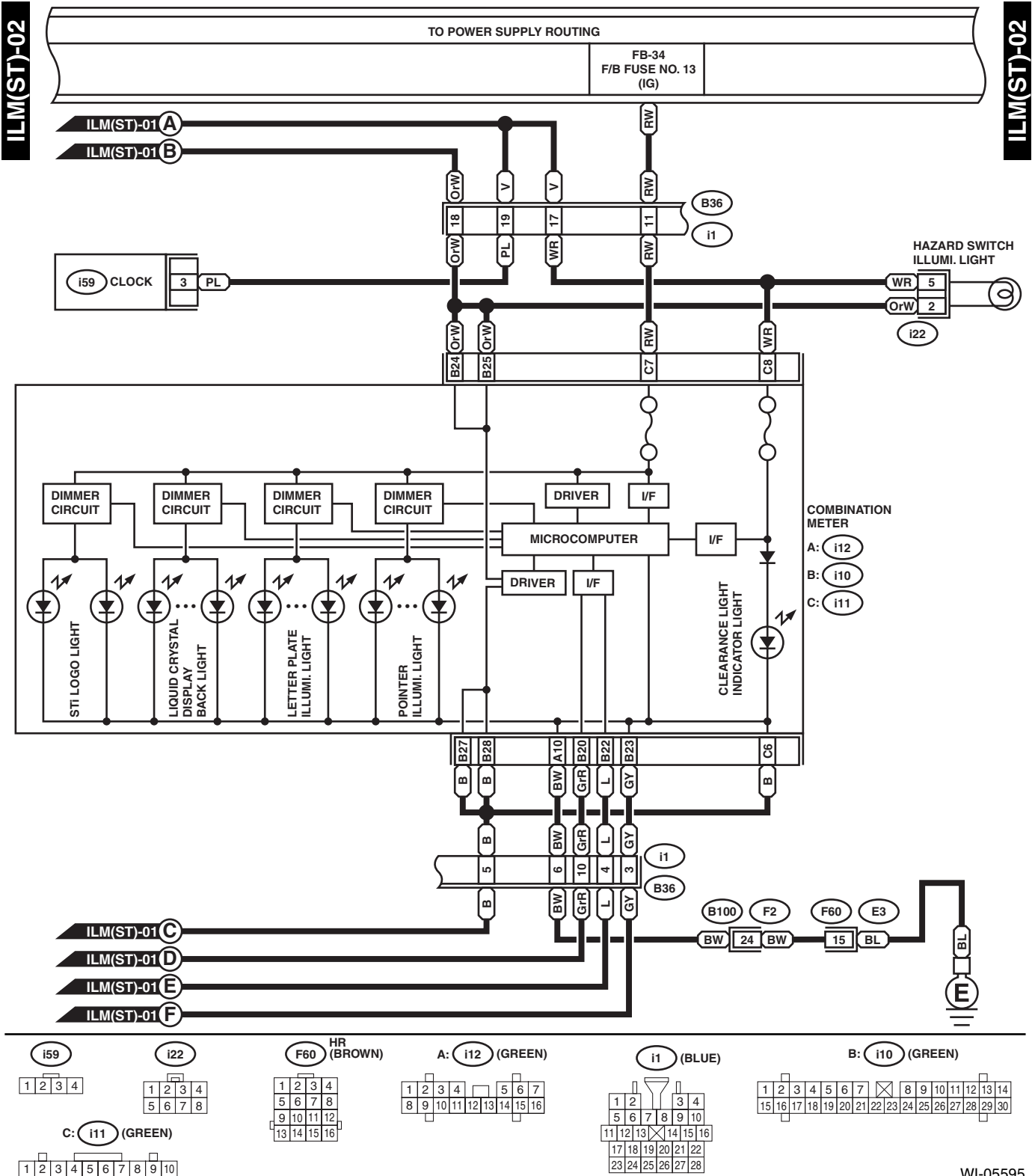
2. STi MODEL



WI-05594

Clearance Light and Illumination Light System

WIRING SYSTEM



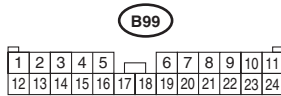
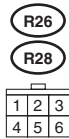
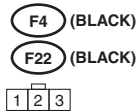
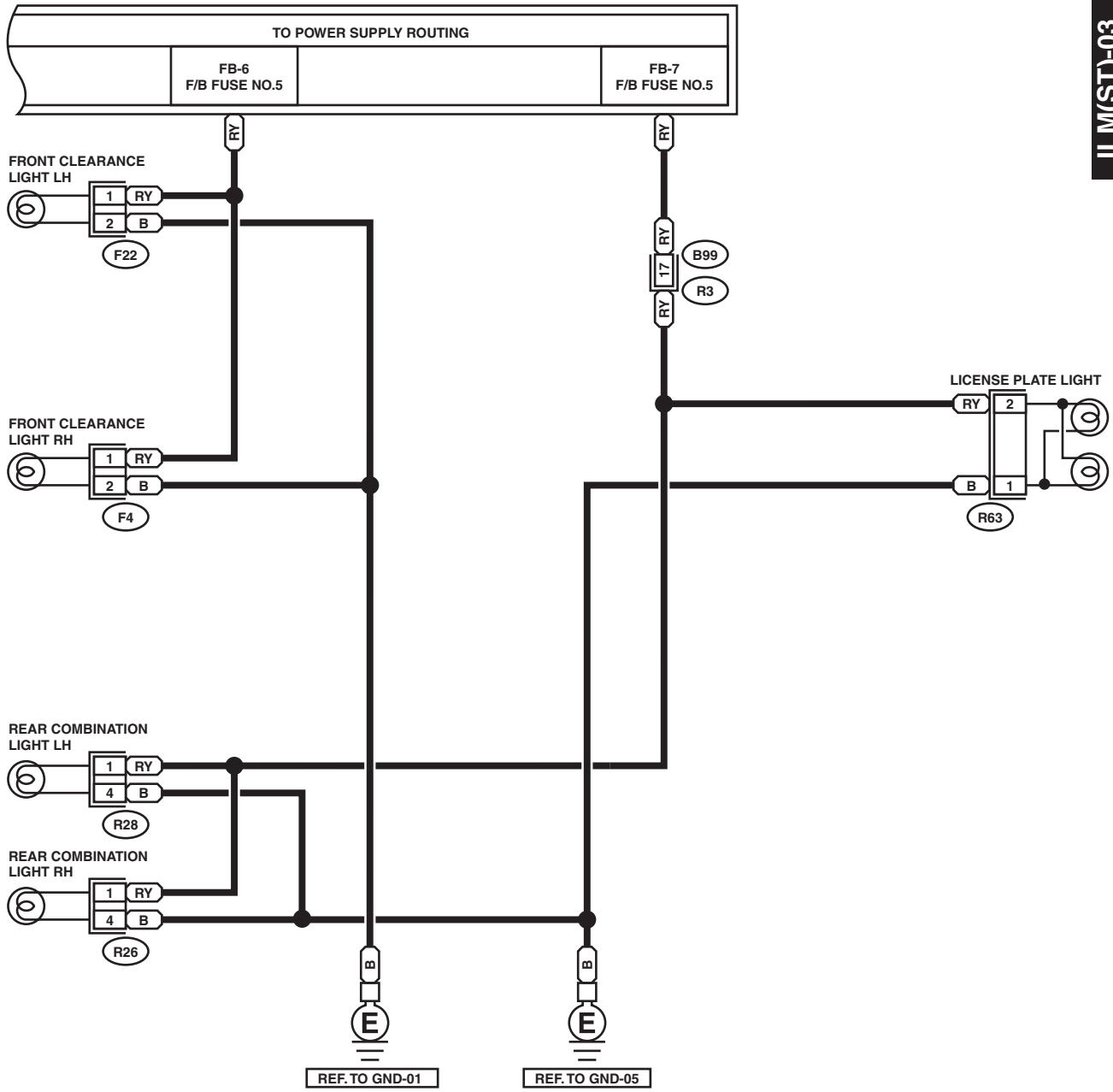
WI-05595

Clearance Light and Illumination Light System

WIRING SYSTEM

ILM(ST)-03

ILM(ST)-03



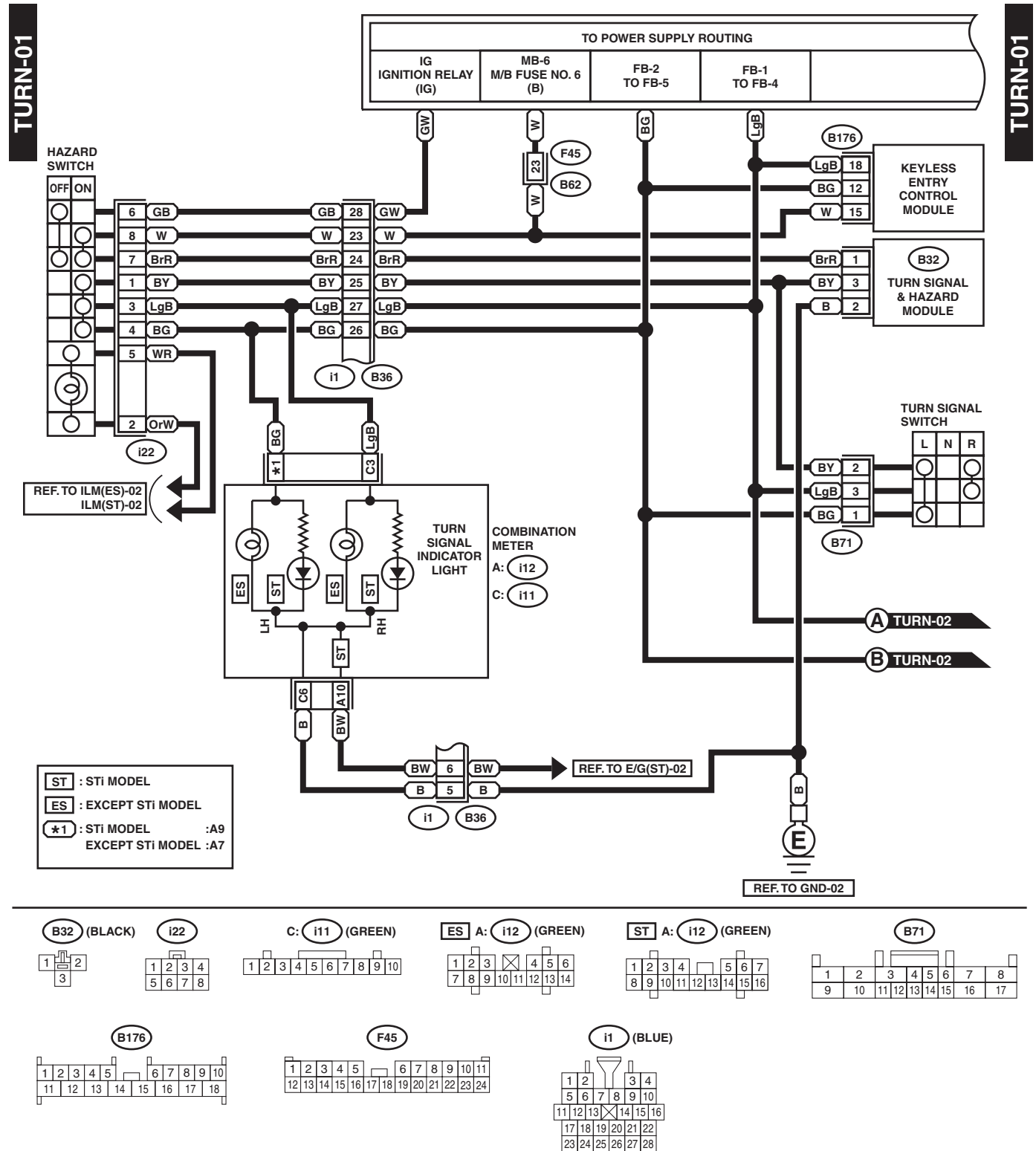
WI-02819

Turn Signal Light and Hazard Light System

WIRING SYSTEM

24. Turn Signal Light and Hazard Light System

A: WIRING DIAGRAM



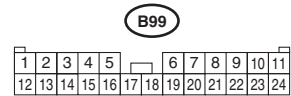
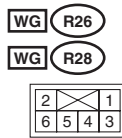
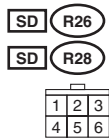
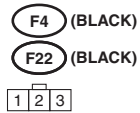
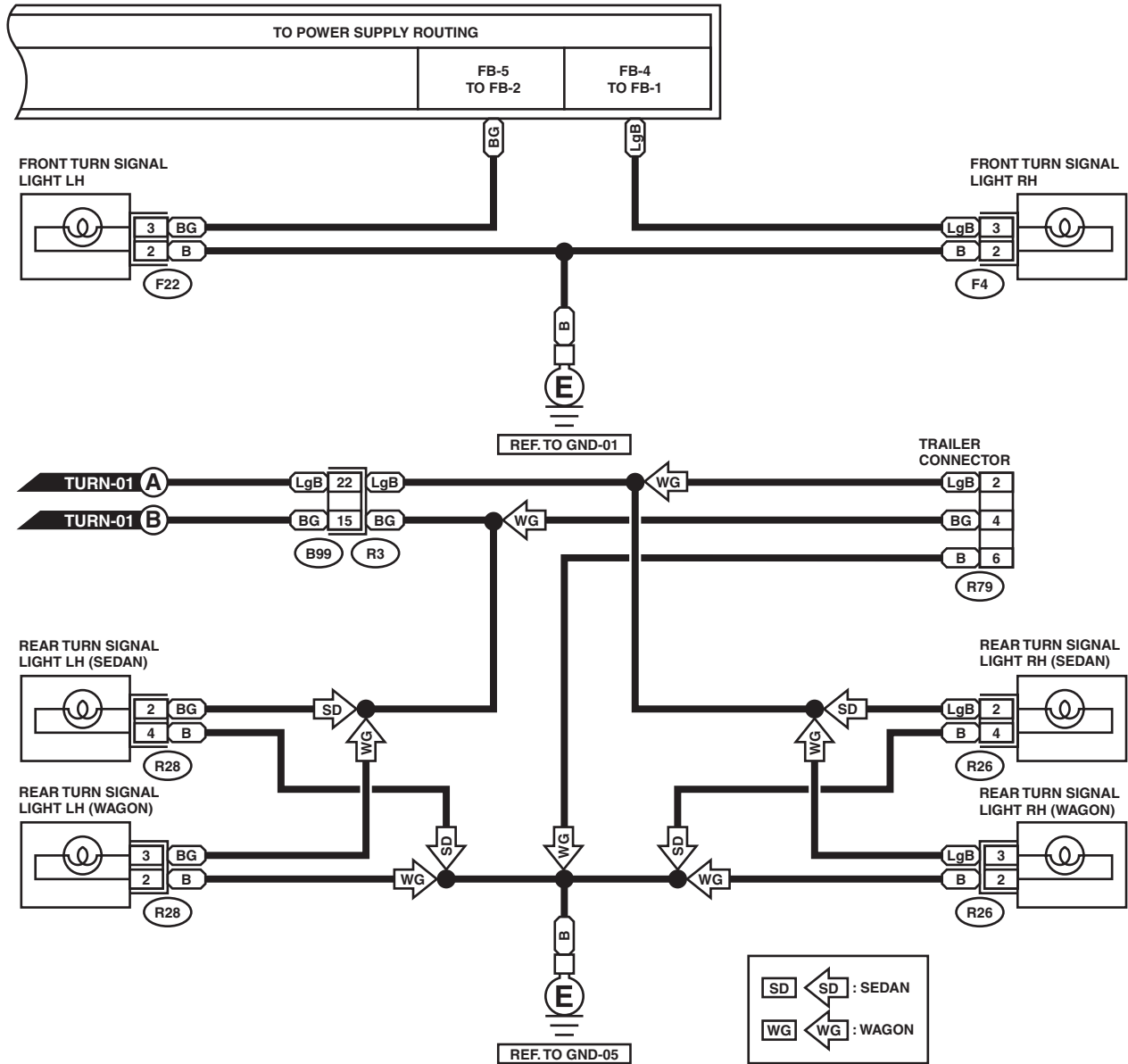
WI-05605

Turn Signal Light and Hazard Light System

WIRING SYSTEM

TURN-02

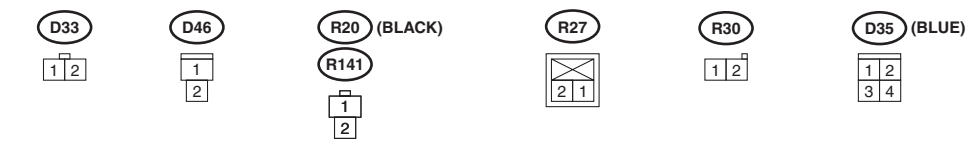
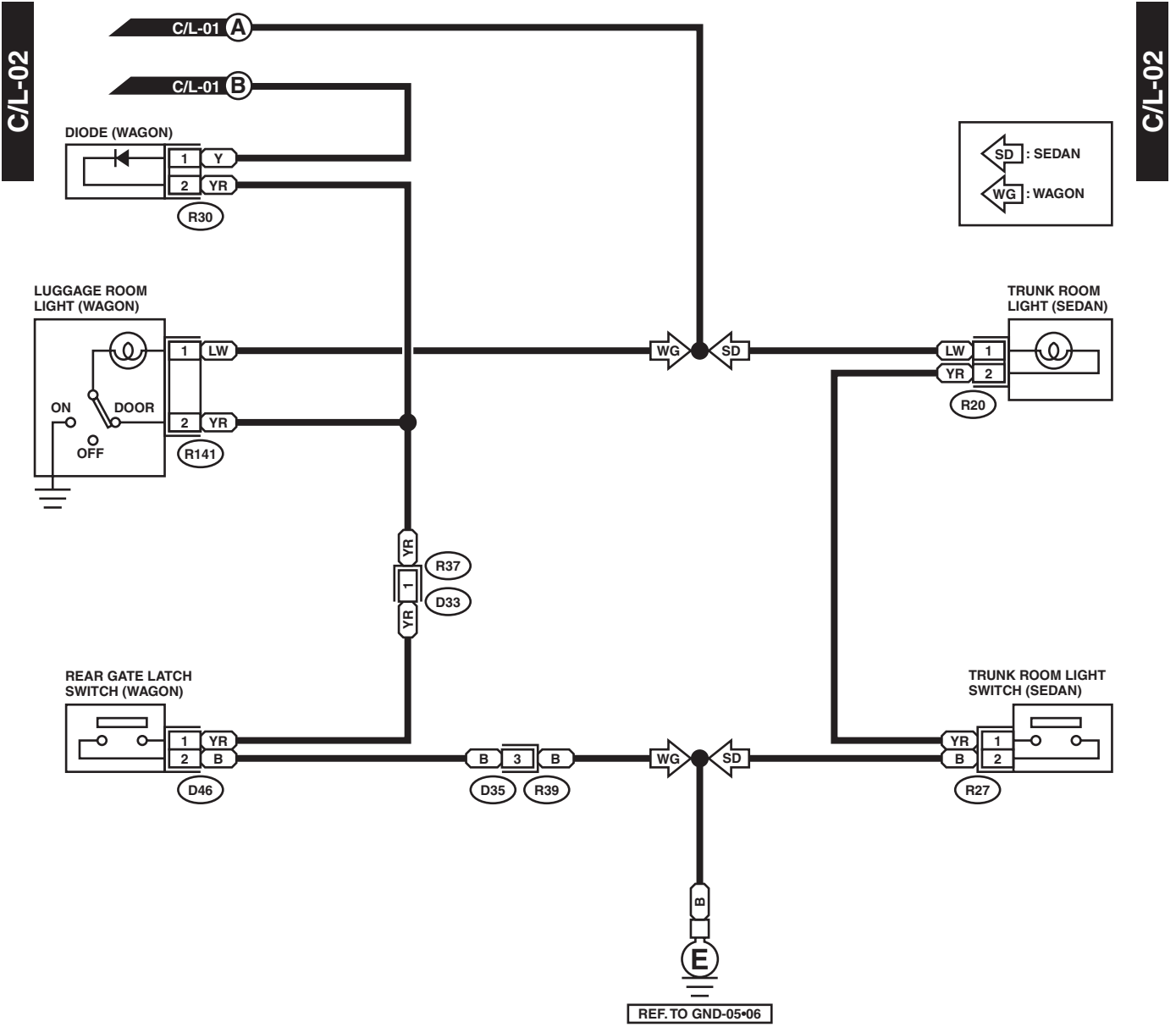
TURN-02



WI-02500

Interior Light System

WIRING SYSTEM



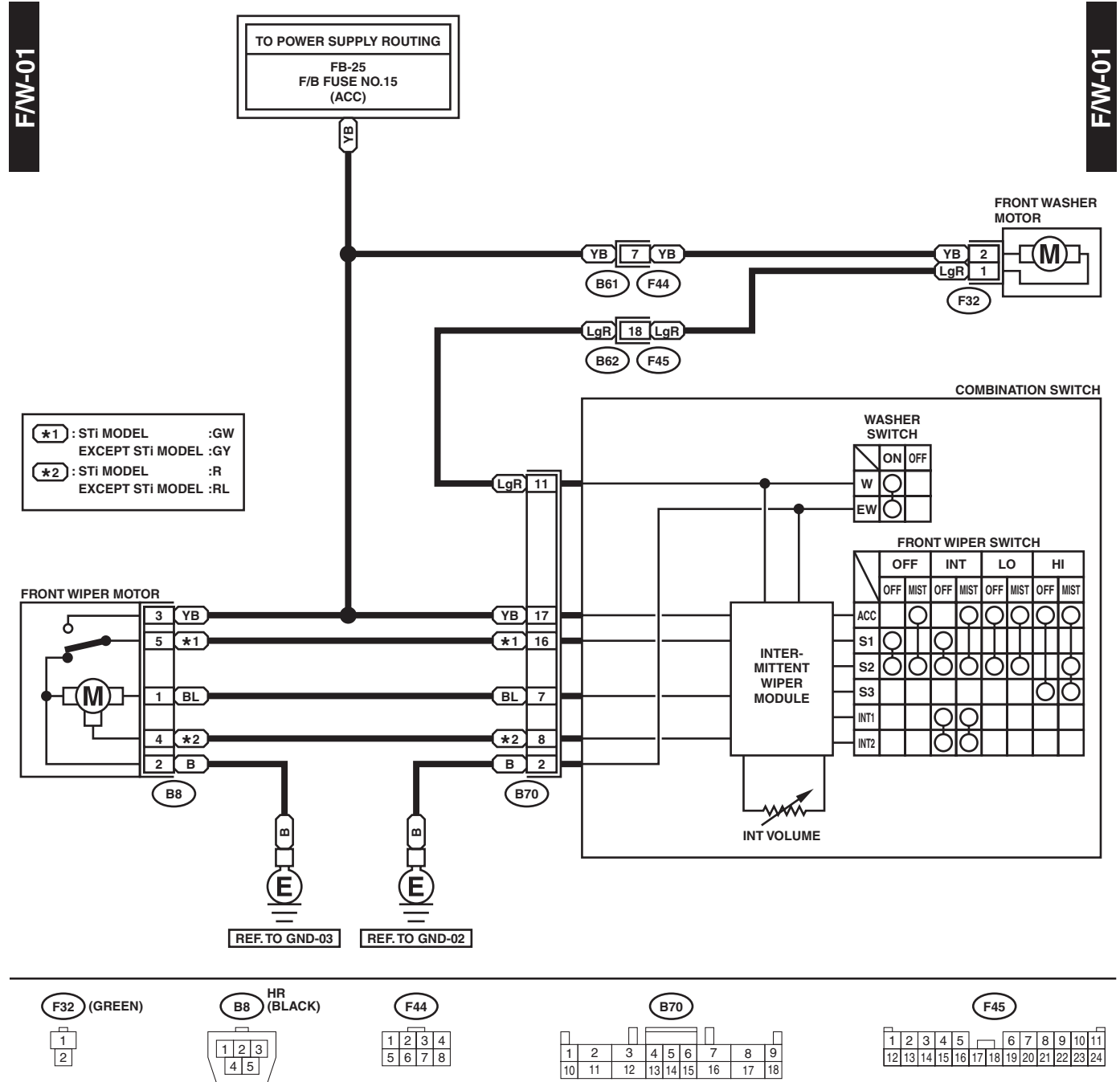
WI-05603

Front Wiper and Washer System

WIRING SYSTEM

26. Front Wiper and Washer System

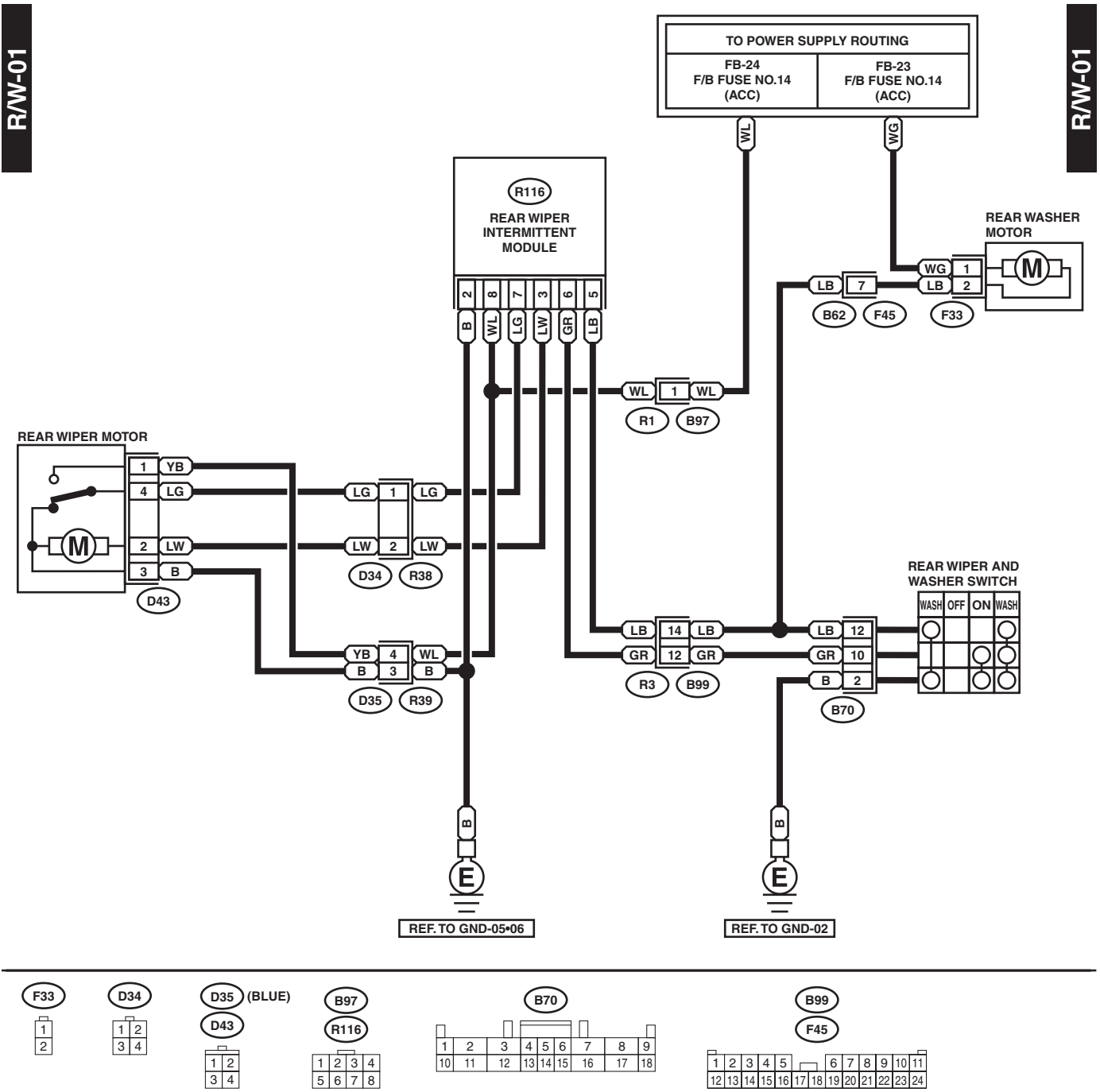
A: WIRING DIAGRAM



WI-05621

27.Rear Wiper and Washer System

A: WIRING DIAGRAM

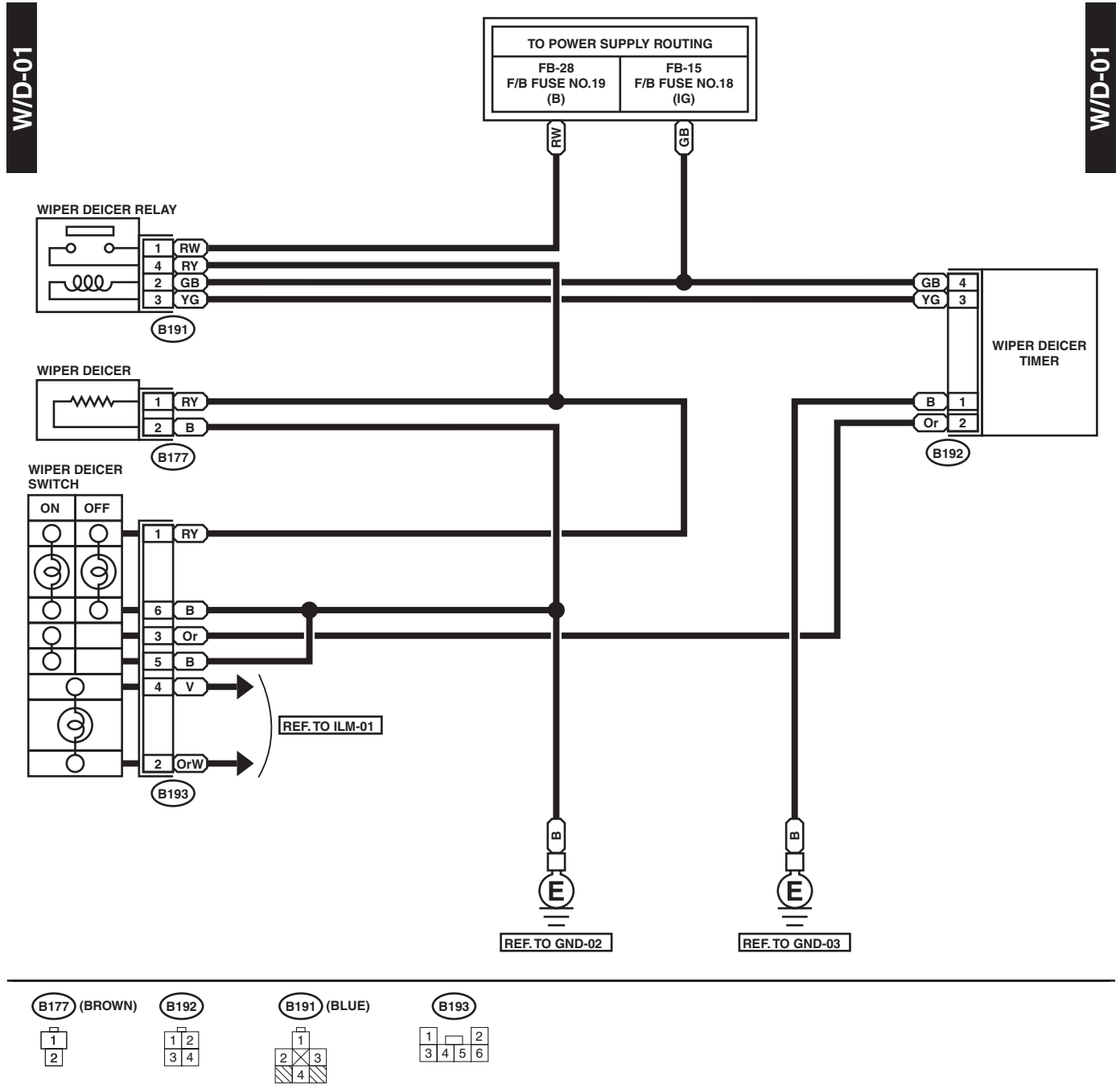


Wiper Deicer System

WIRING SYSTEM

28. Wiper Deicer System

A: WIRING DIAGRAM



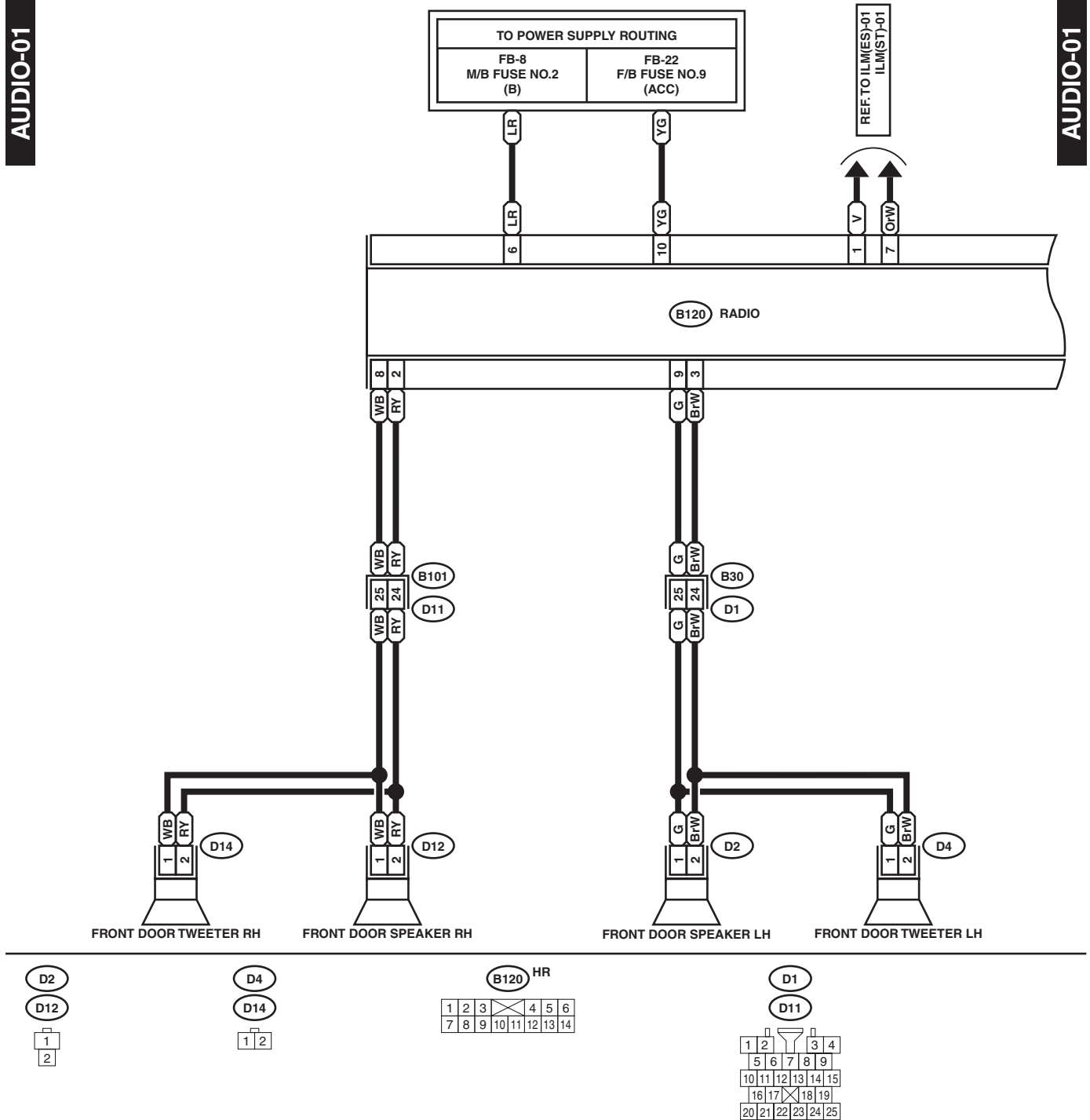
WI-05508

29. Audio System

A: WIRING DIAGRAM

AUDIO-01

AUDIO-01



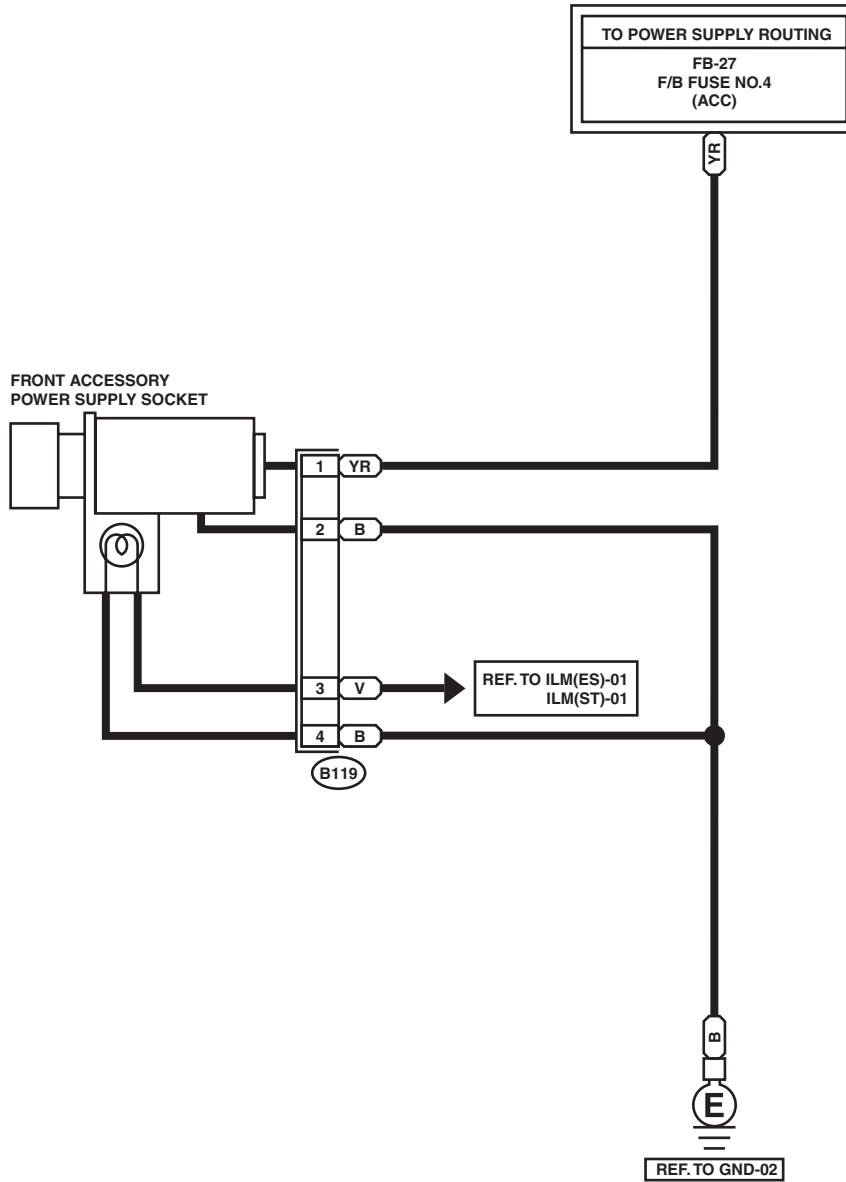
WI-05554

30.Front Accessory Power Supply Socket System

A: WIRING DIAGRAM

FAPS-01

FAPS-01



B119



Rear Accessory Power Supply System

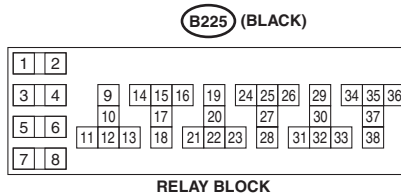
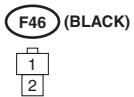
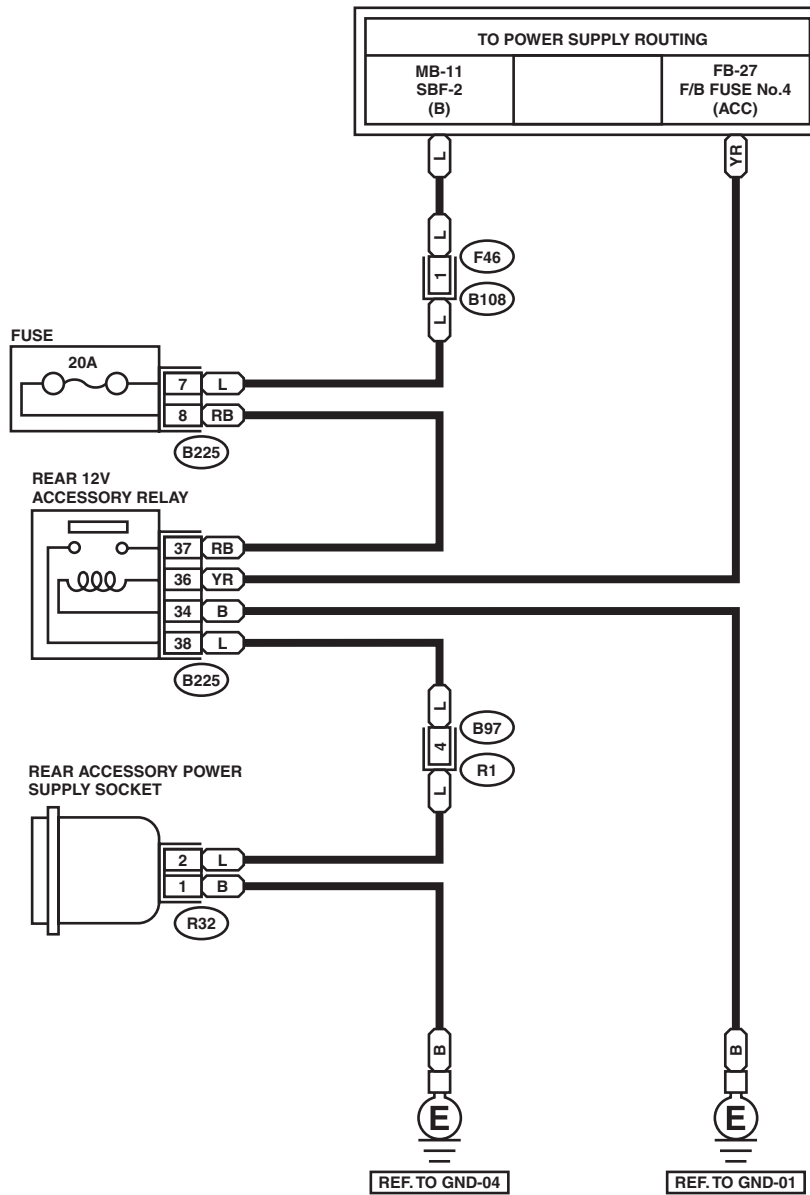
WIRING SYSTEM

31.Rear Accessory Power Supply System

A: WIRING DIAGRAM

RAPS-01

RAPS-01



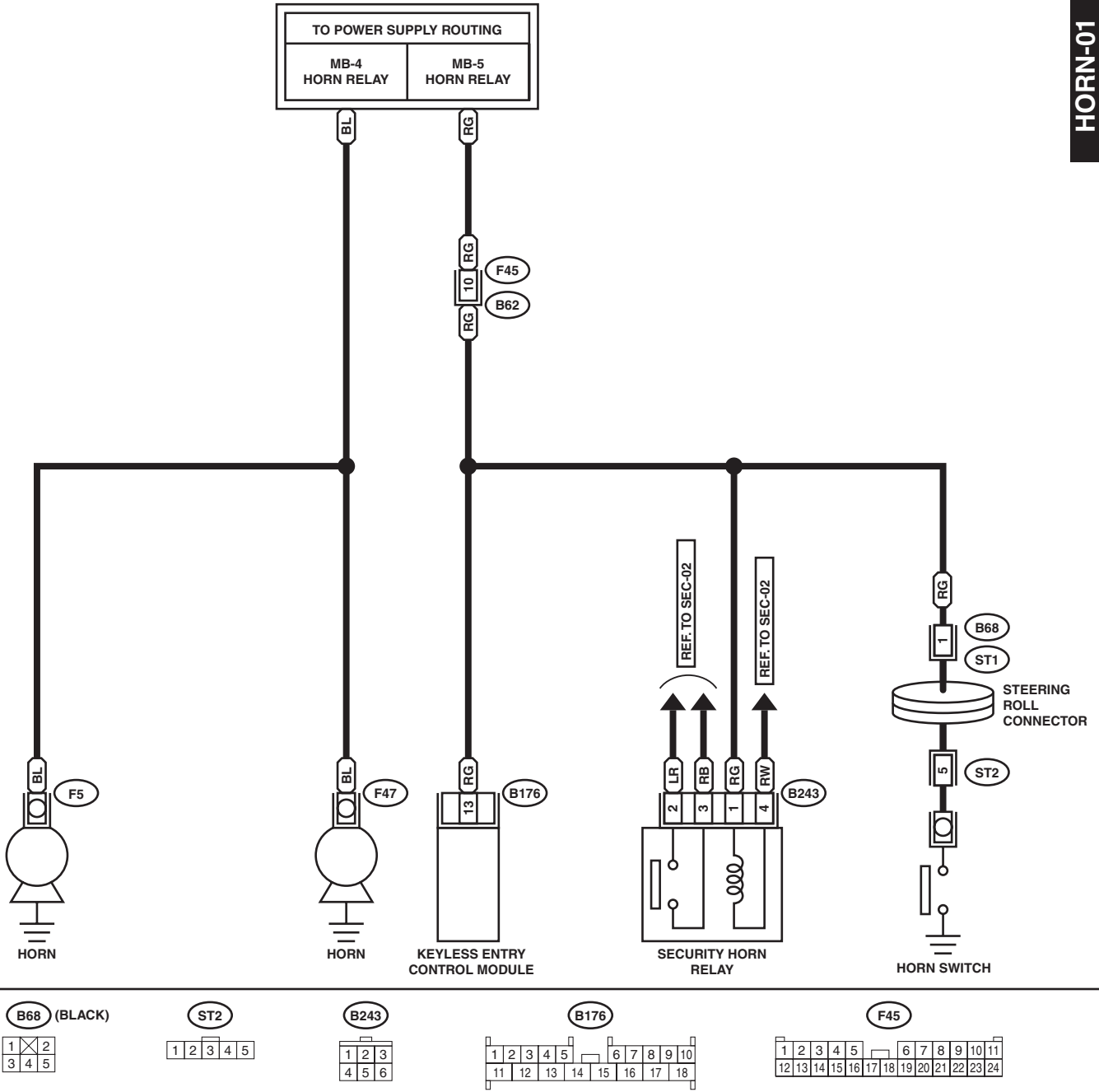
WI-05611

32.Horn System

A: WIRING DIAGRAM

HORN-01

HORN-01

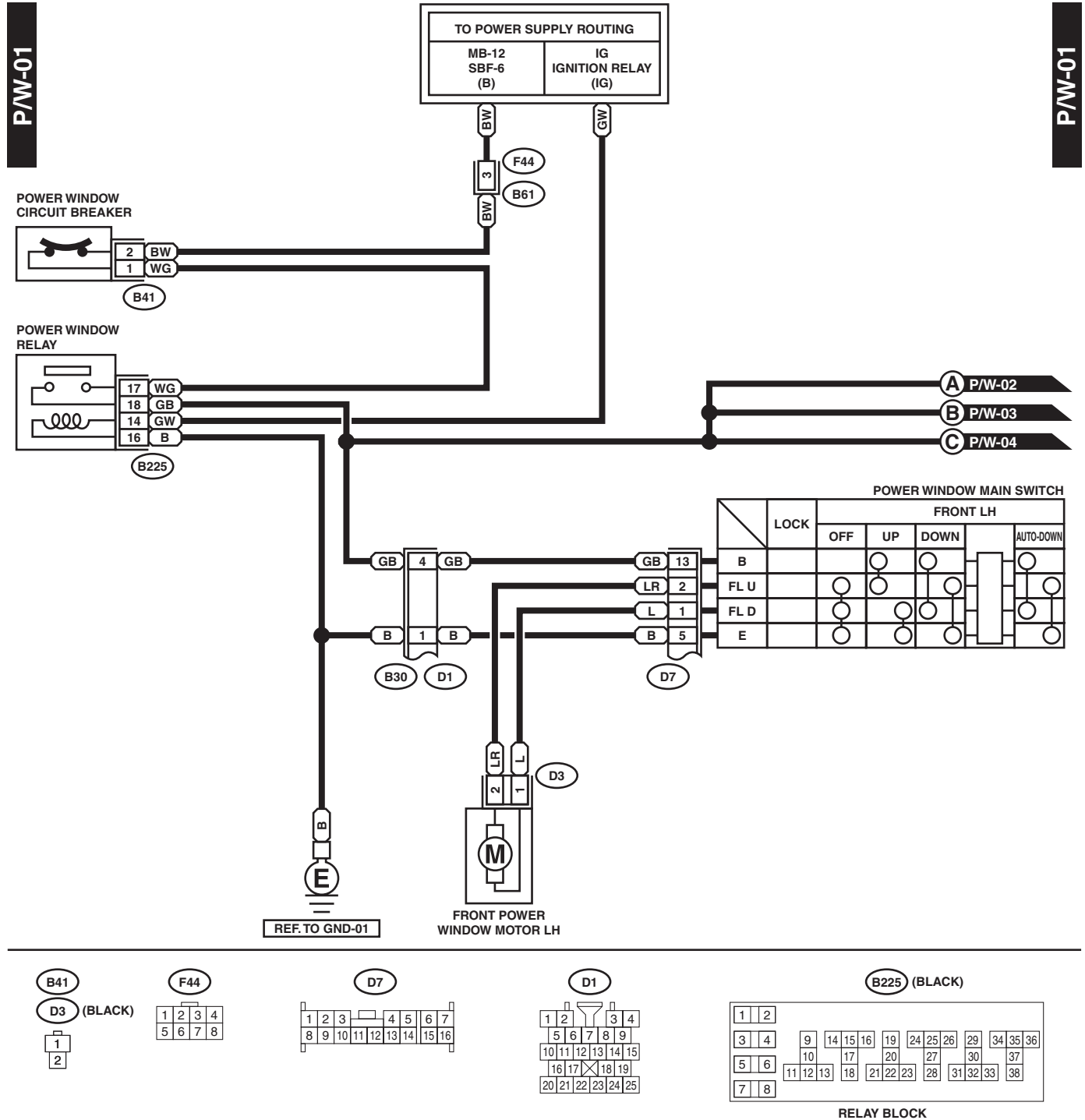


Power Window System

WIRING SYSTEM

33. Power Window System

A: WIRING DIAGRAM

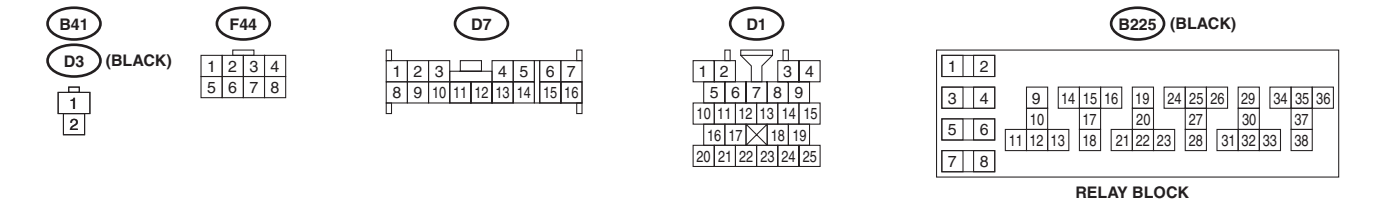


P/W-01

P/W-01

A P/W-02
B P/W-03
C P/W-04

REF. TO GND-01



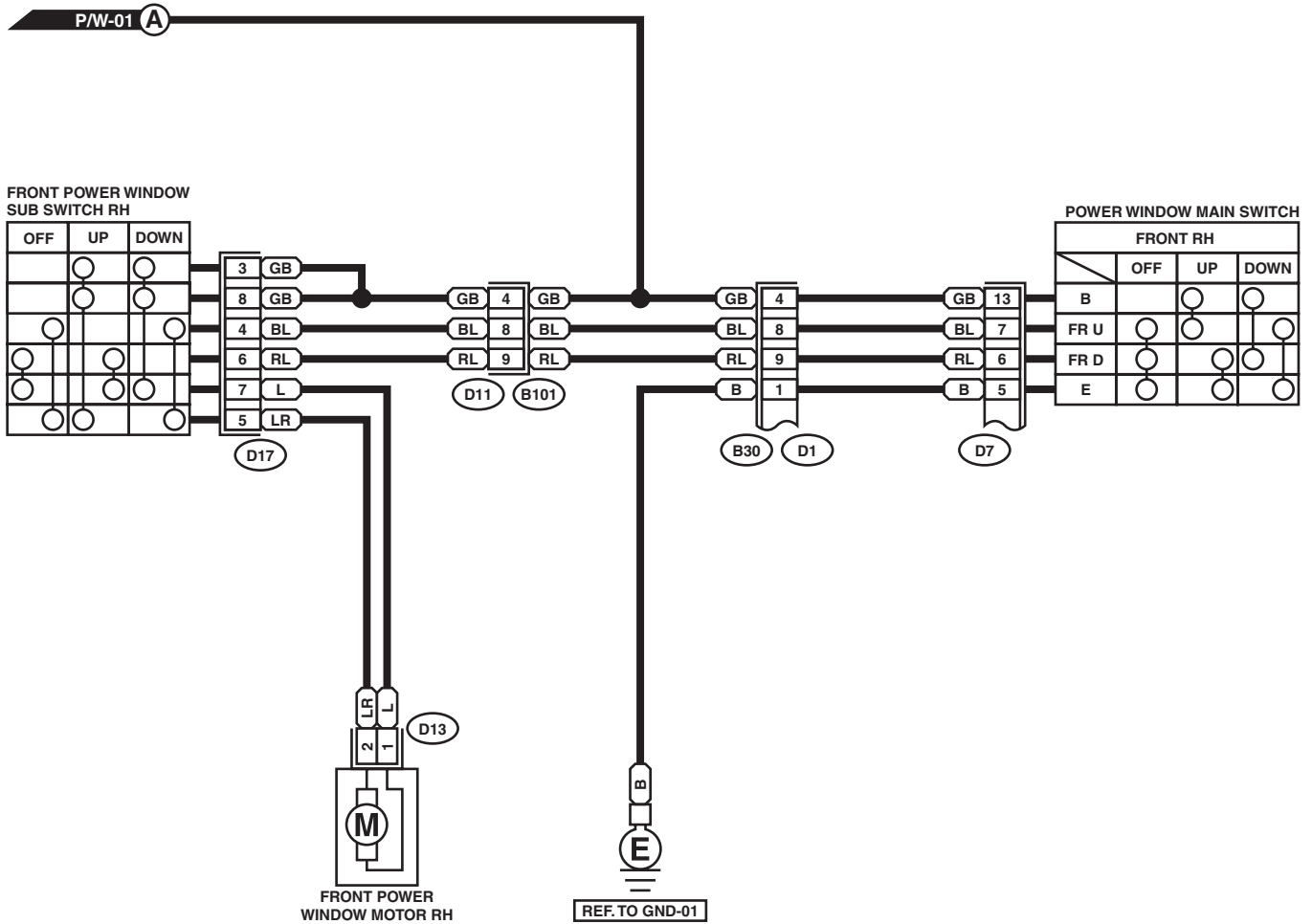
WI-02543

Power Window System

WIRING SYSTEM

P/W-02

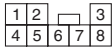
P/W-02



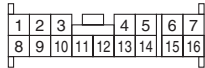
D13 (BLACK)



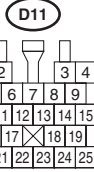
D17



D7



D1



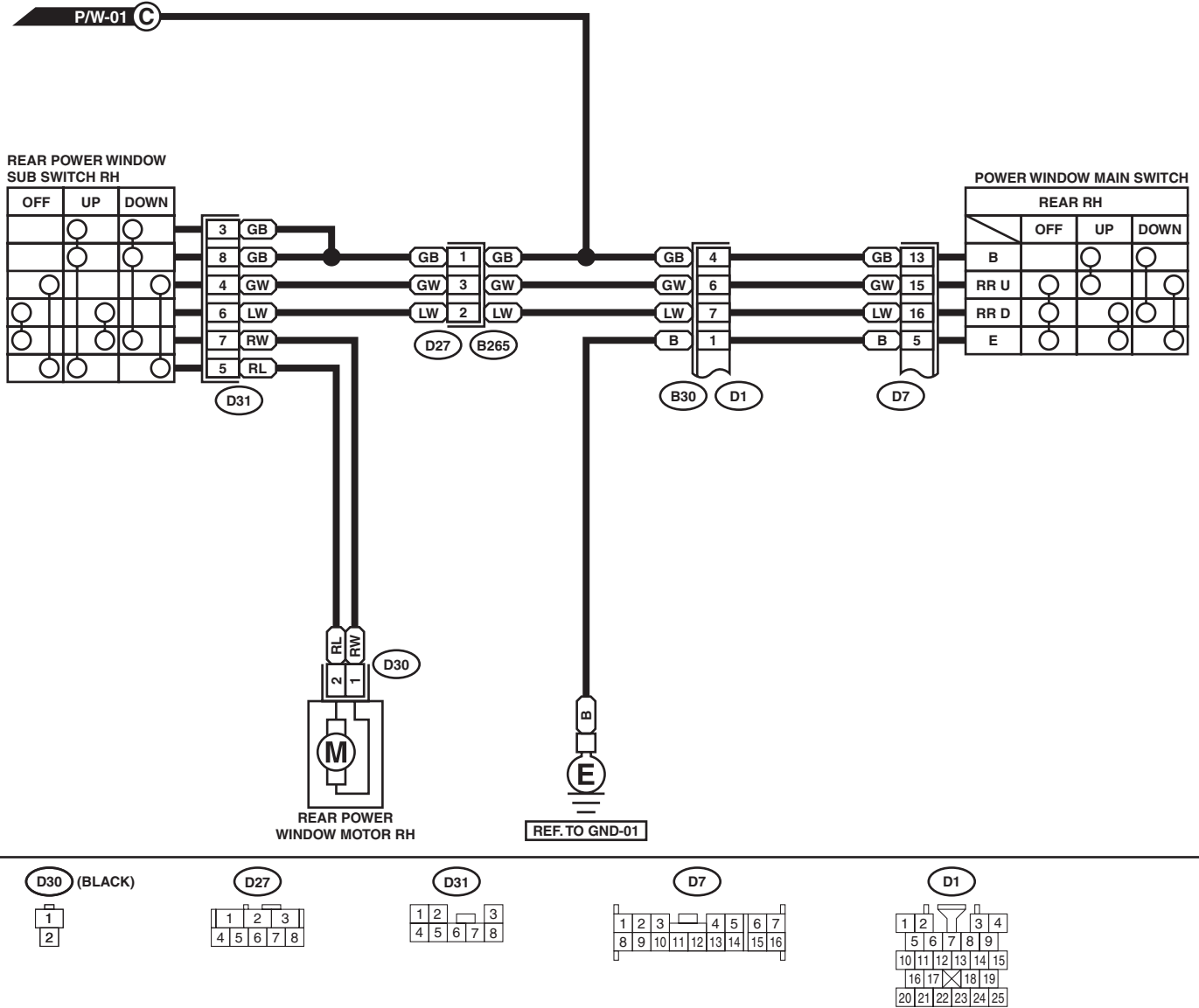
WI-02187

Power Window System

WIRING SYSTEM

P/W-03

P/W-03



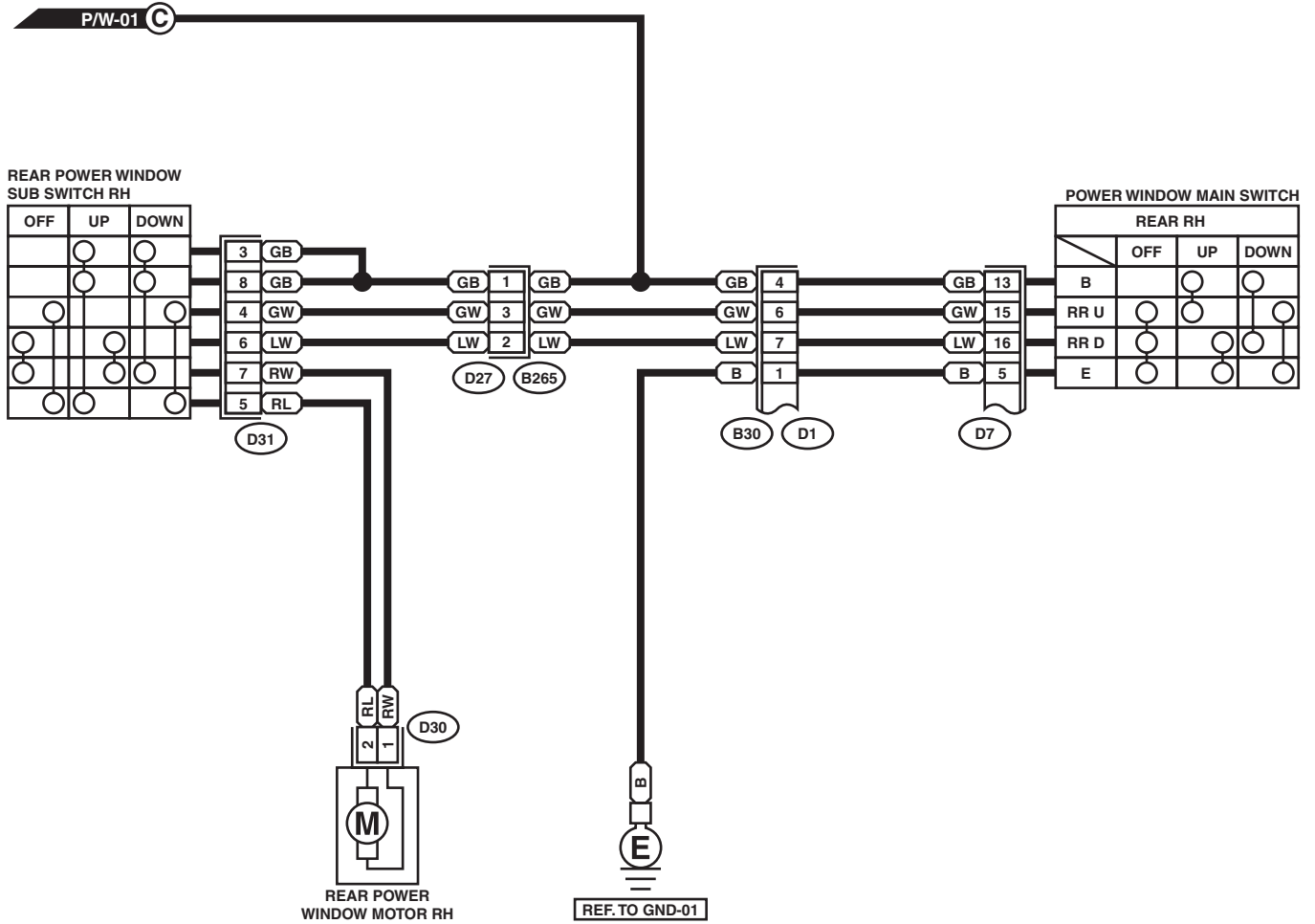
WI-02504

Power Window System

WIRING SYSTEM

P/W-04

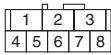
P/W-04



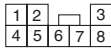
D30 (BLACK)



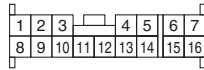
D27



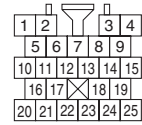
D31



D7



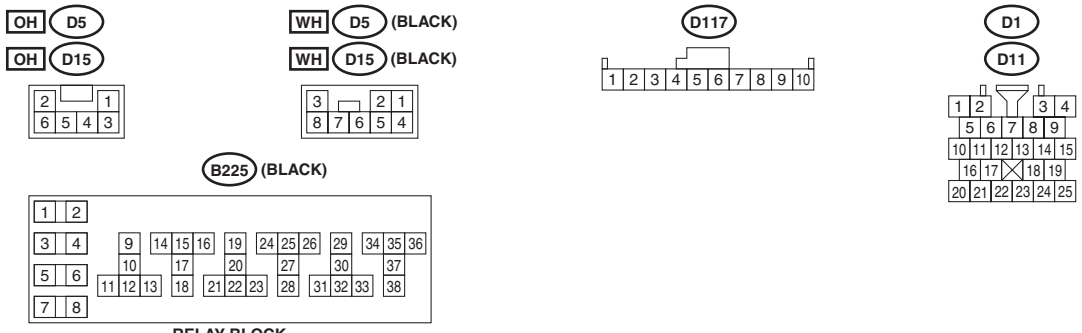
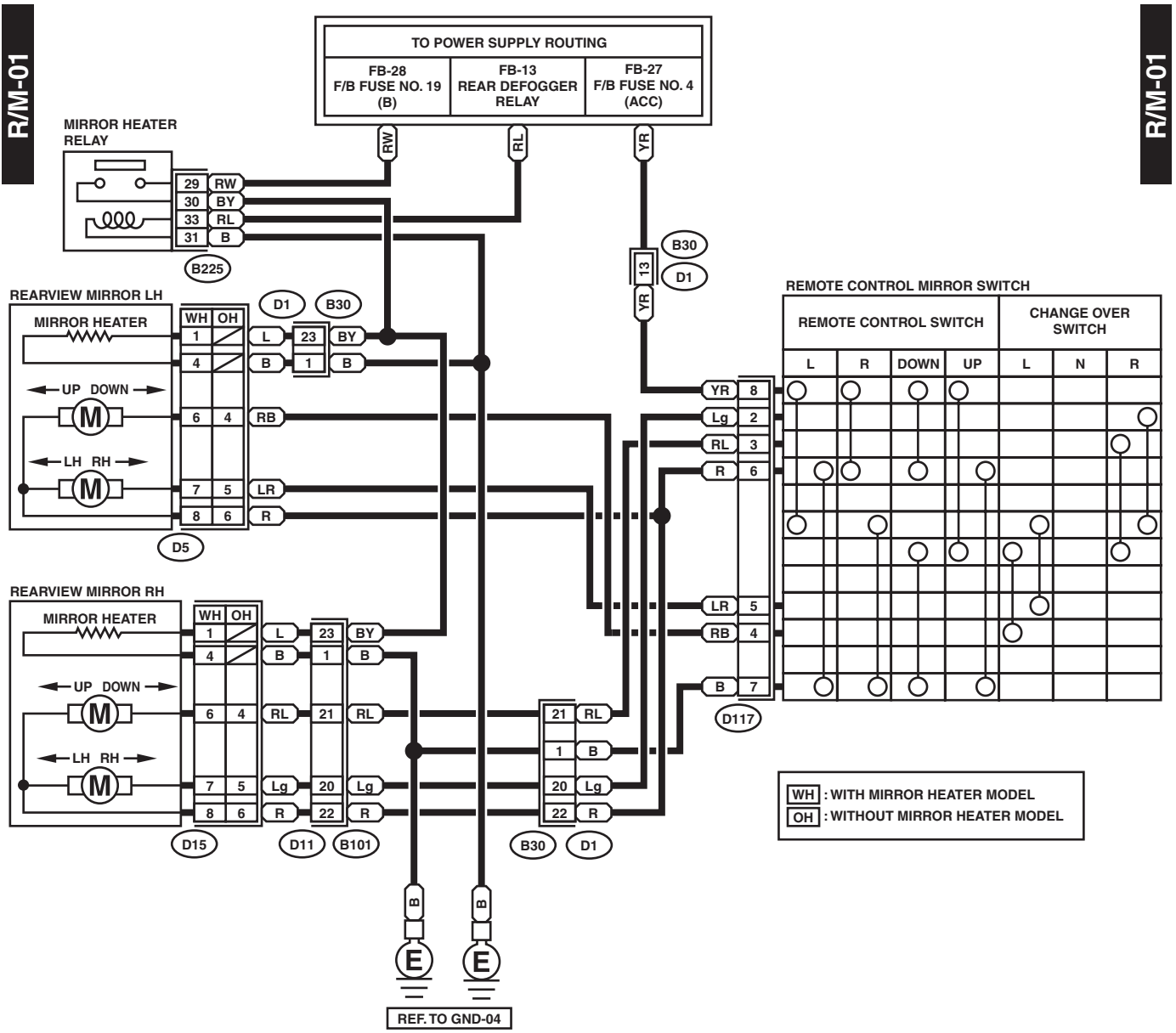
D1



WI-02505

35. Remote Control Mirror System

A: WIRING DIAGRAM



RELAY BLOCK

WI-05614

Combination Meter System

WIRING SYSTEM

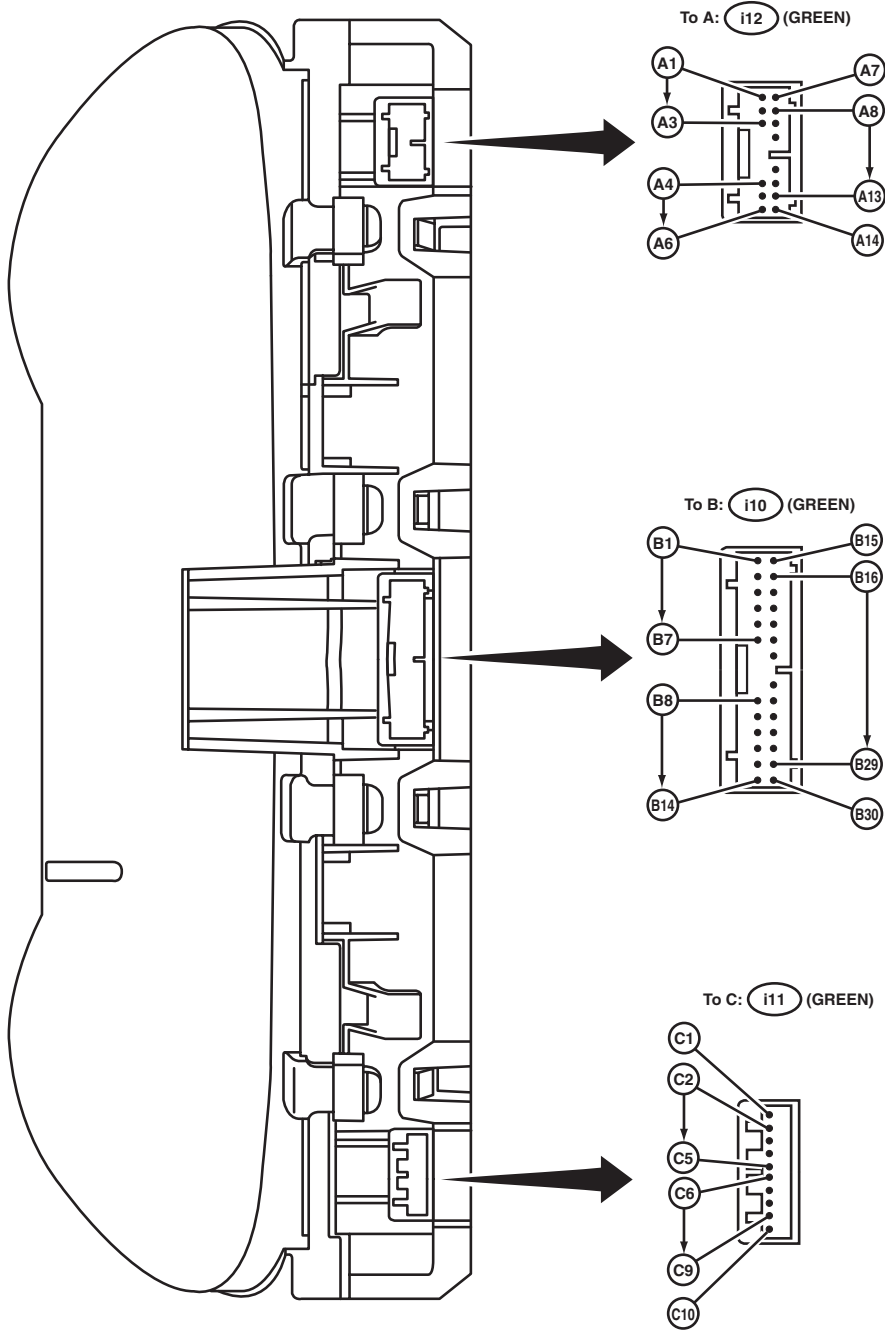
36. Combination Meter System

A: WIRING DIAGRAM

1. EXCEPT FOR STi MODEL

CM(ES)-01

CM(ES)-01



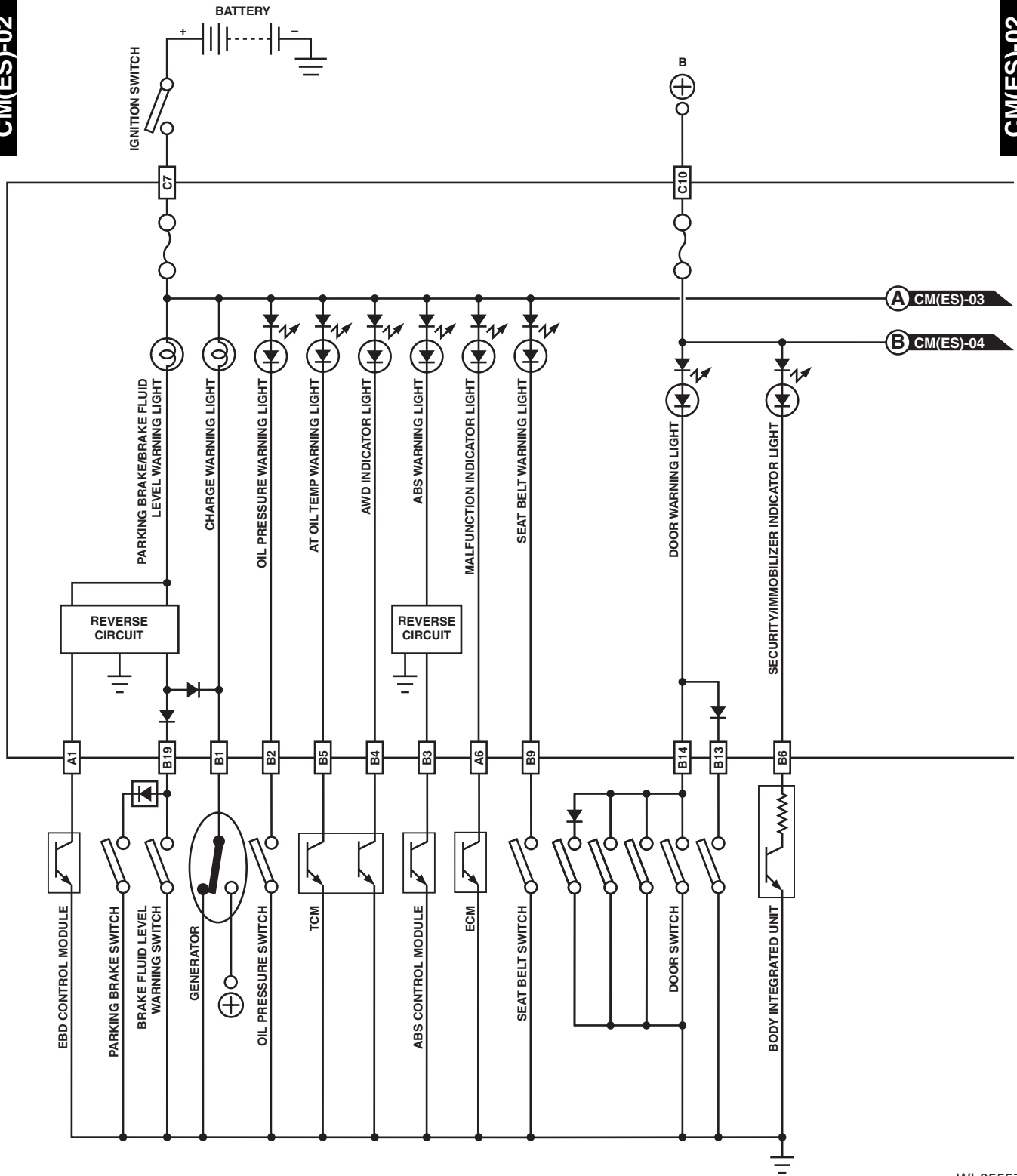
WI-05556

Combination Meter System

WIRING SYSTEM

CM(ES)-02

CM(ES)-02



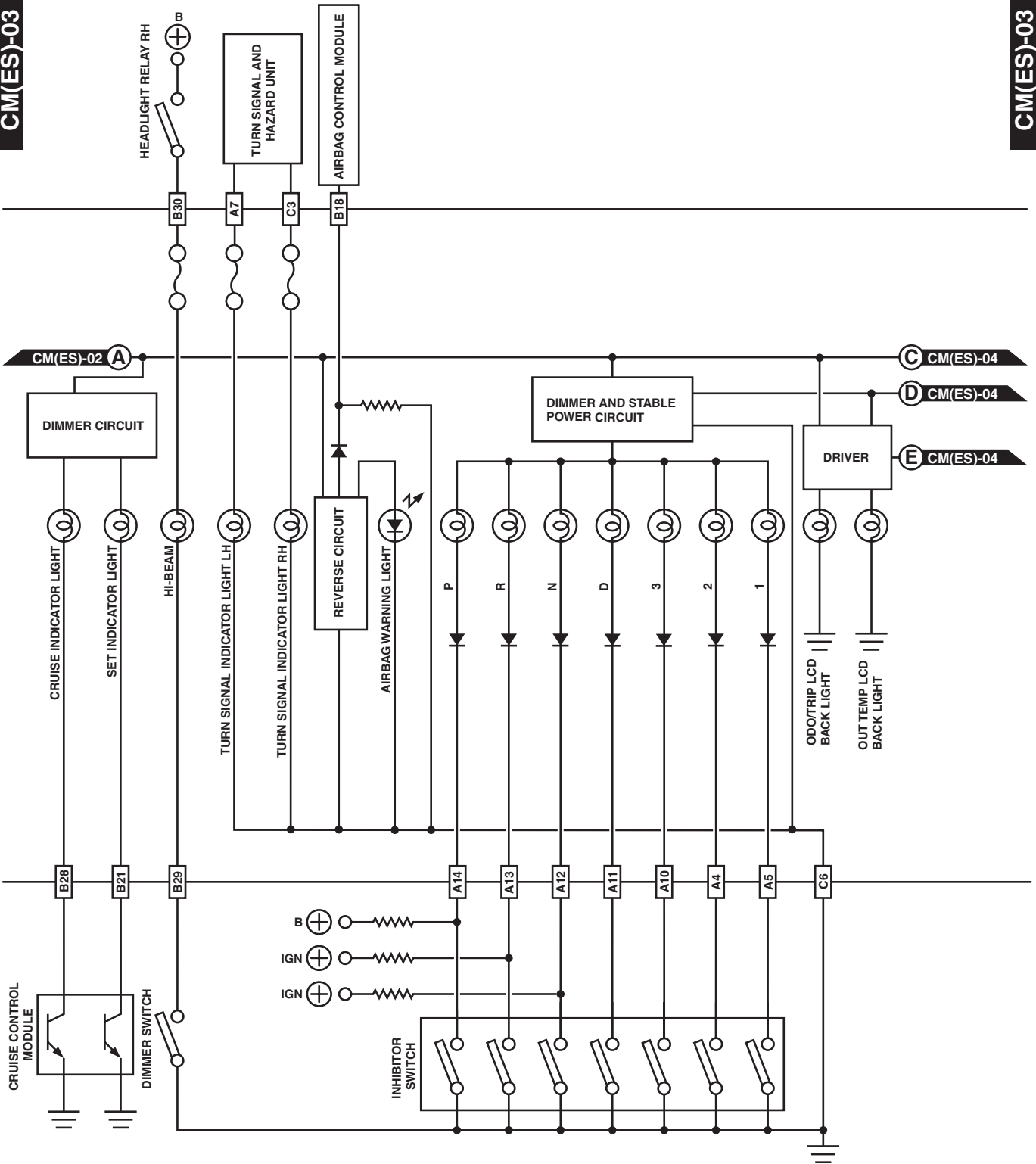
WI-05557

Combination Meter System

WIRING SYSTEM

CM(ES)-03

CM(ES)-03



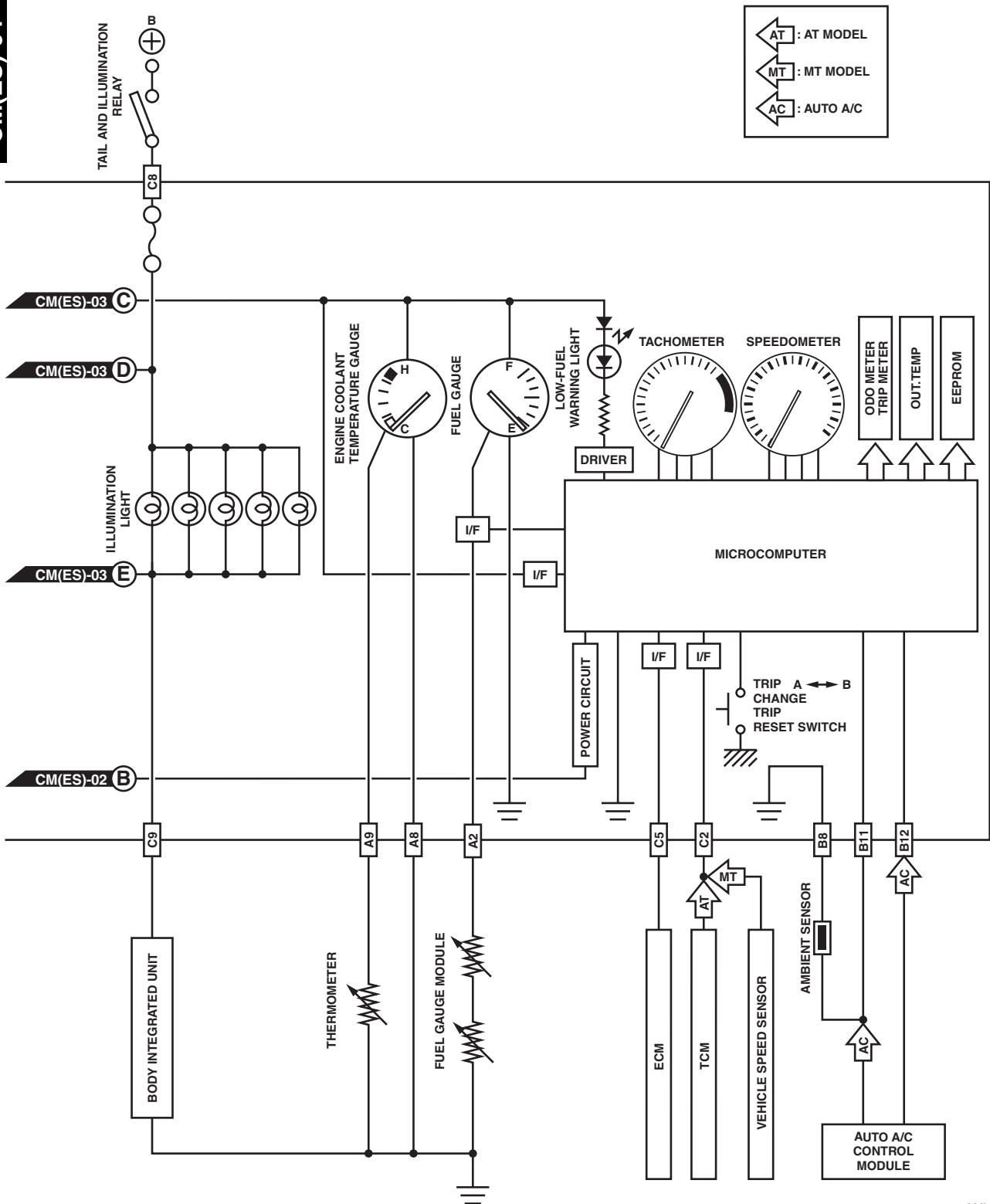
WI-05558

Combination Meter System

WIRING SYSTEM

CM(ES)-04

CM(ES)-04



WI-05559

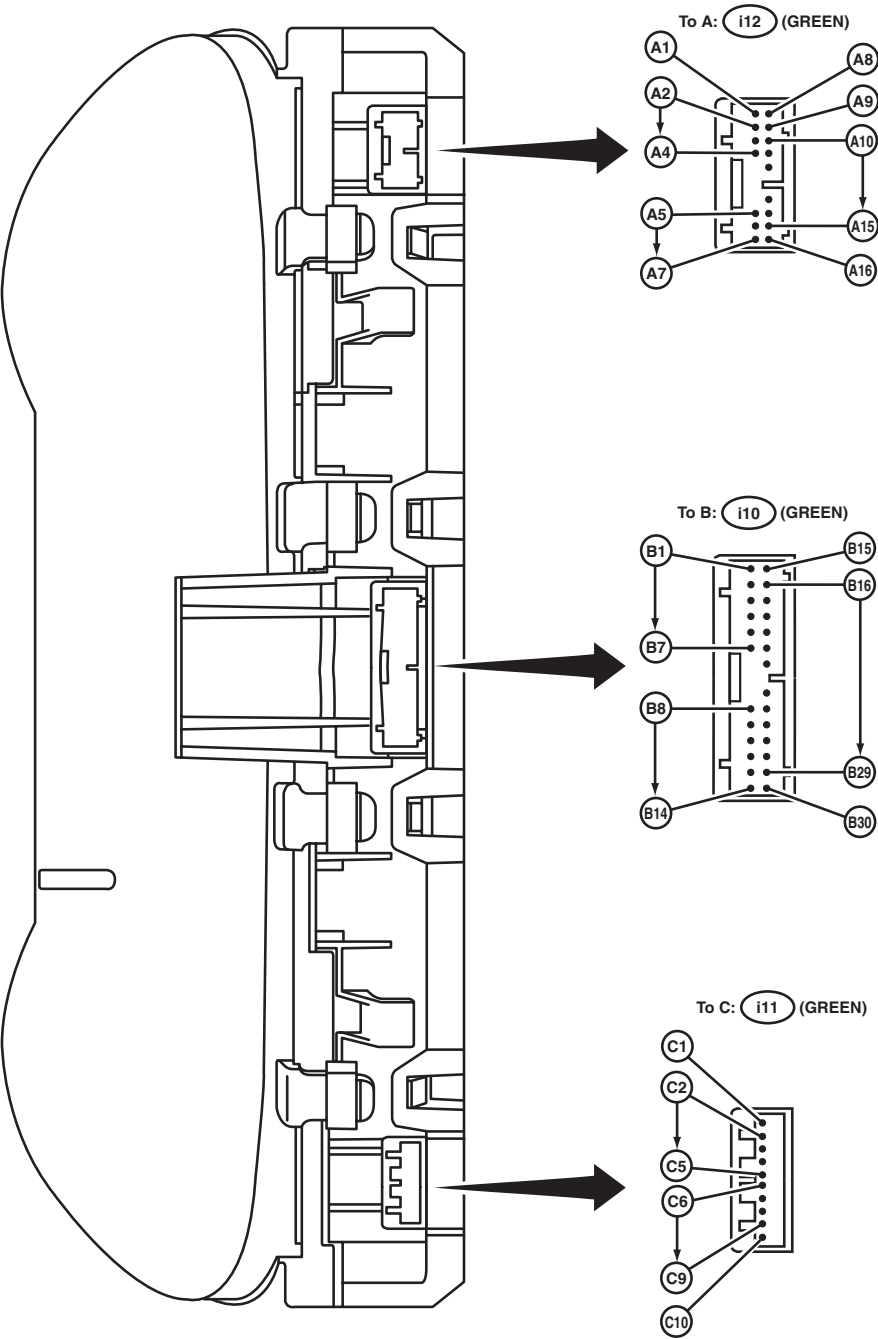
Combination Meter System

WIRING SYSTEM

2. STi MODEL

CM(ST)-01

CM(ST)-01

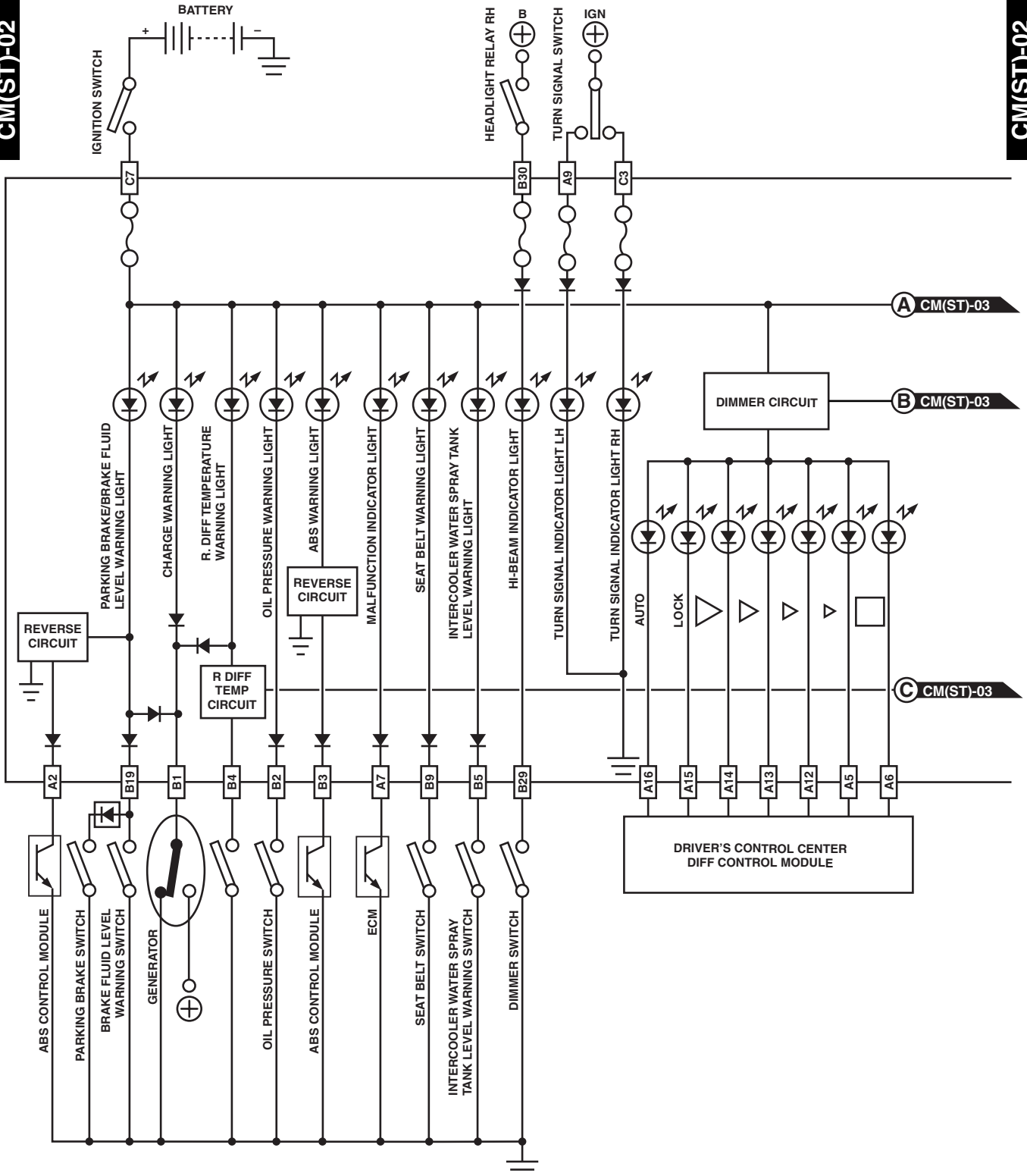


Combination Meter System

WIRING SYSTEM

CM(ST)-02

CM(ST)-02



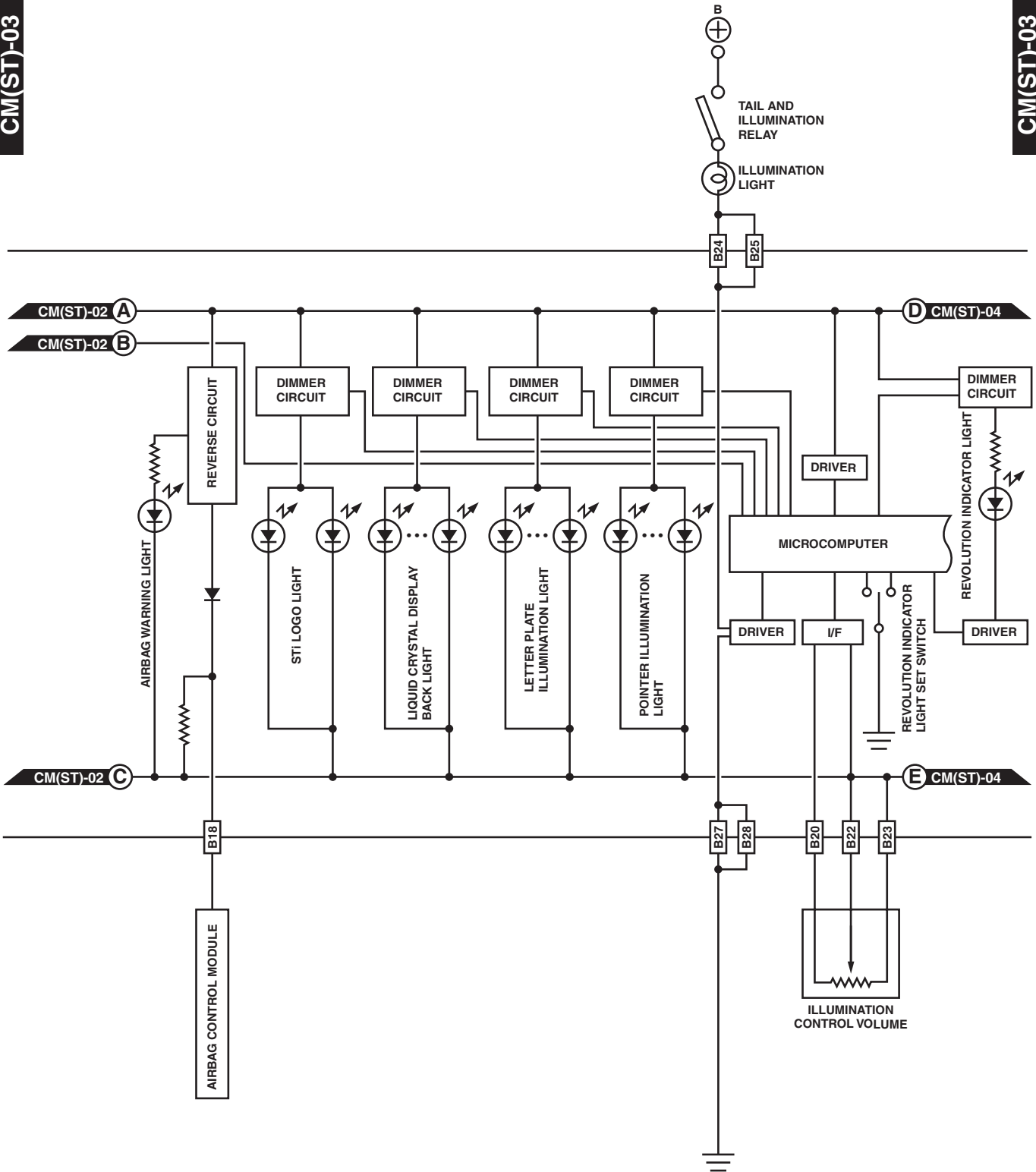
WI-05561

Combination Meter System

WIRING SYSTEM

CM(ST)-03

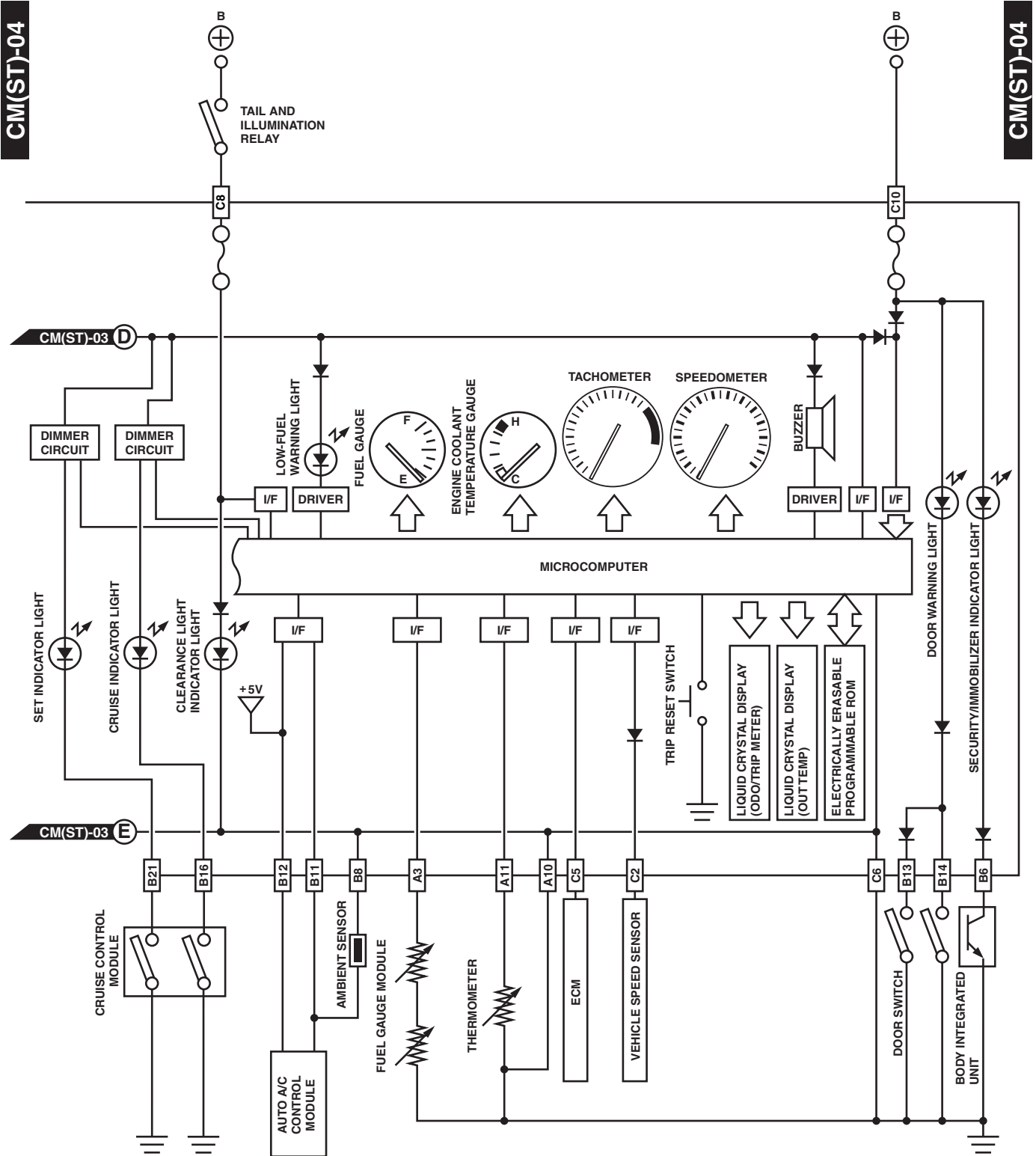
CM(ST)-03



WI-05562

Combination Meter System

WIRING SYSTEM



WI-05563

Clock System

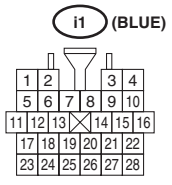
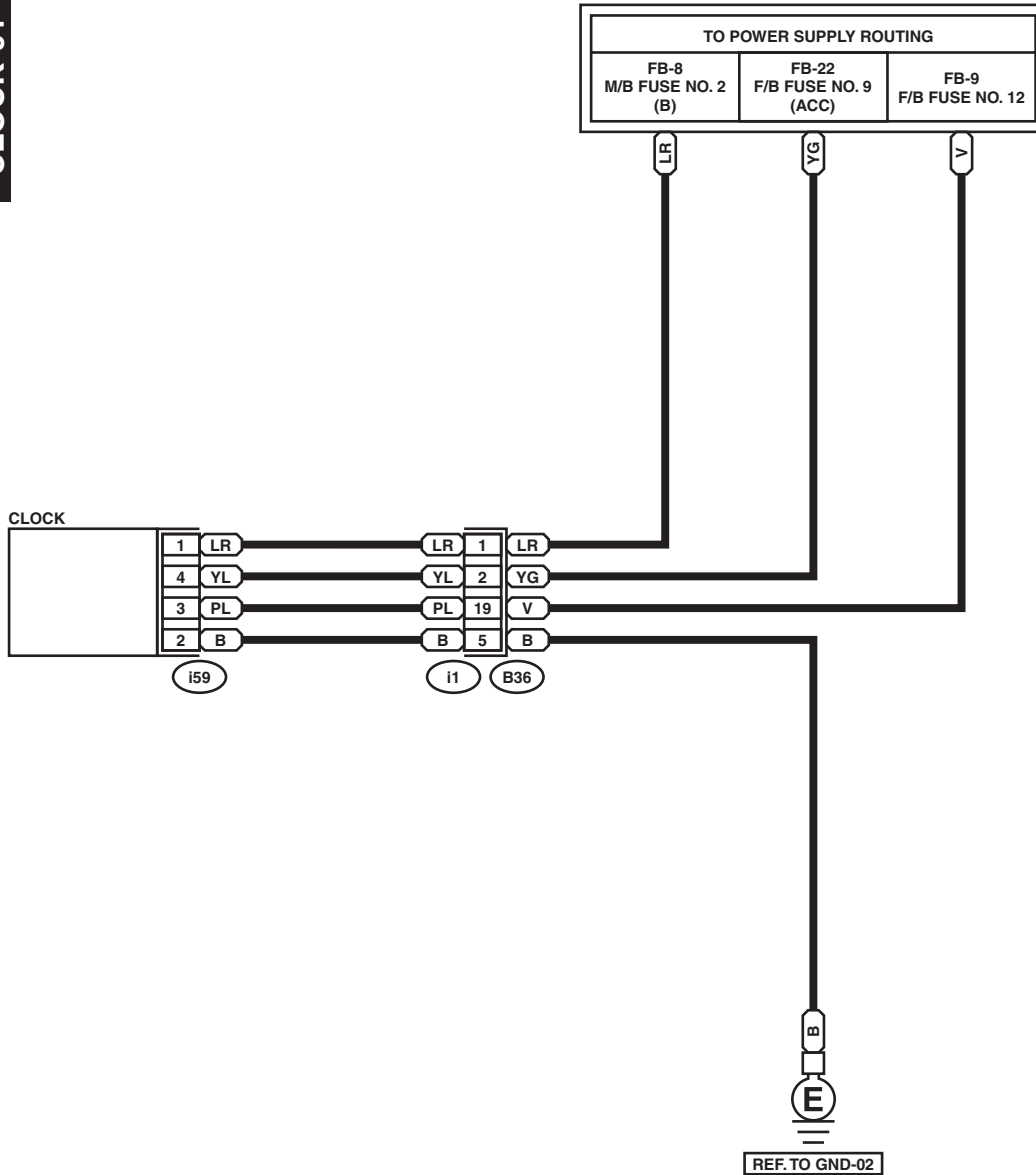
WIRING SYSTEM

37.Clock System

A: WIRING DIAGRAM

CLOCK-01

CLOCK-01



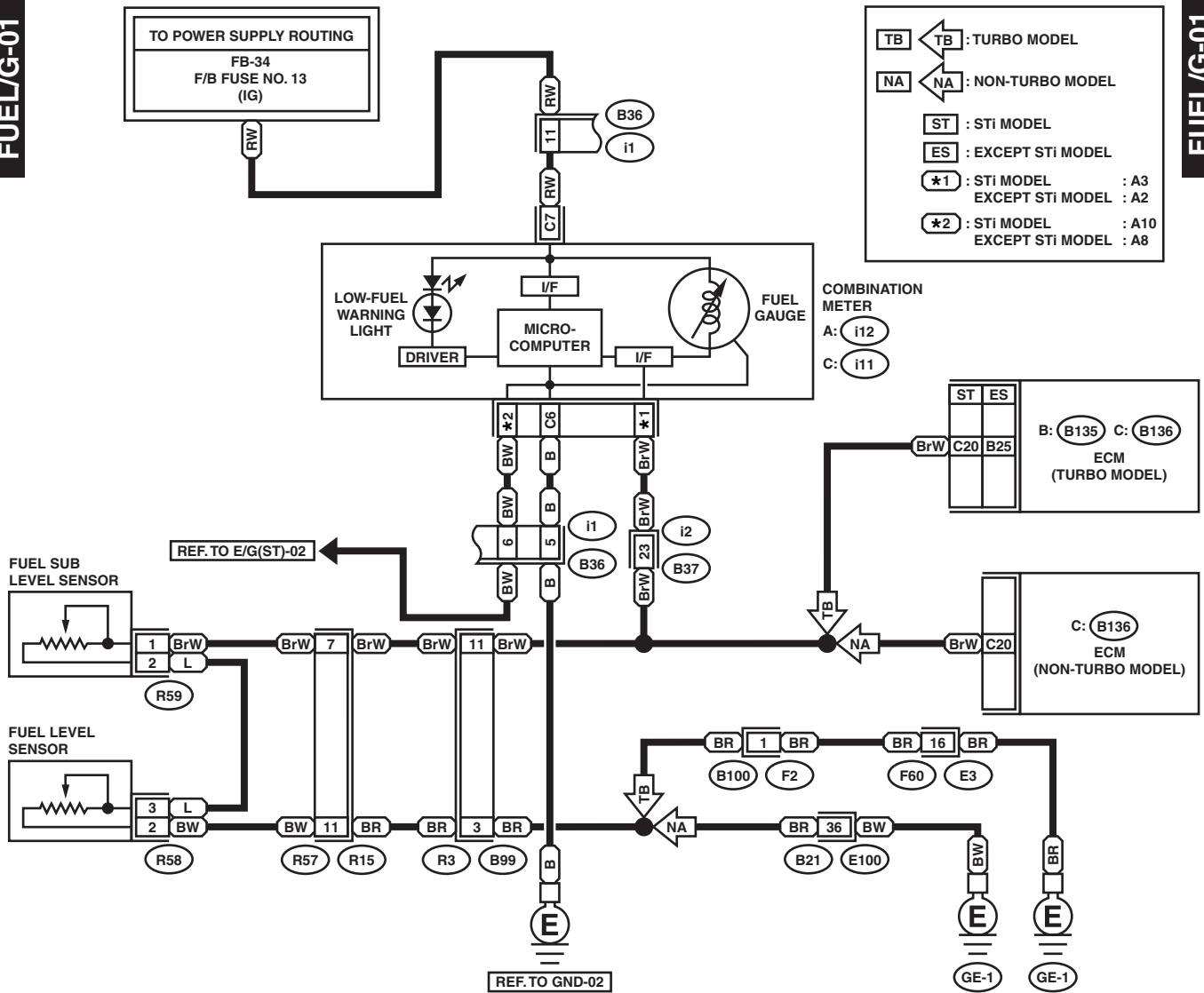
WI-05506

38. Fuel Gauge System

A: WIRING DIAGRAM

FUEL/G-01

FUEL/G-01



Legend:

- TB** : TURBO MODEL
- NA** : NON-TURBO MODEL
- ST** : STI MODEL
- ES** : EXCEPT STI MODEL
- *1** : STI MODEL : A3
EXCEPT STI MODEL : A2
- *2** : STI MODEL : A10
EXCEPT STI MODEL : A8

COMBINATION METER

- A: i12
- C: i11

ECM (TURBO MODEL)

ST	ES
C20	B25

B: B135 C: B136

ECM (NON-TURBO MODEL)

C: B136

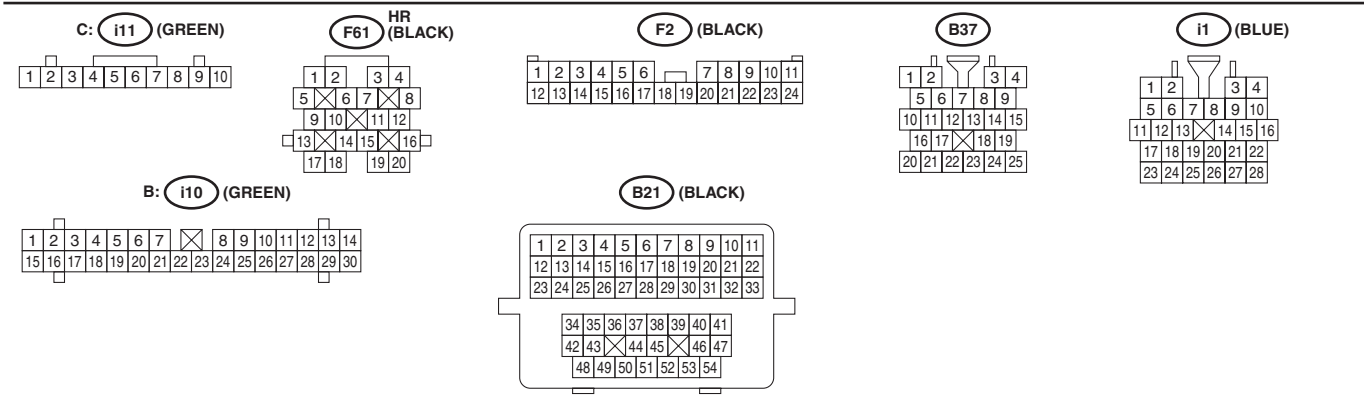
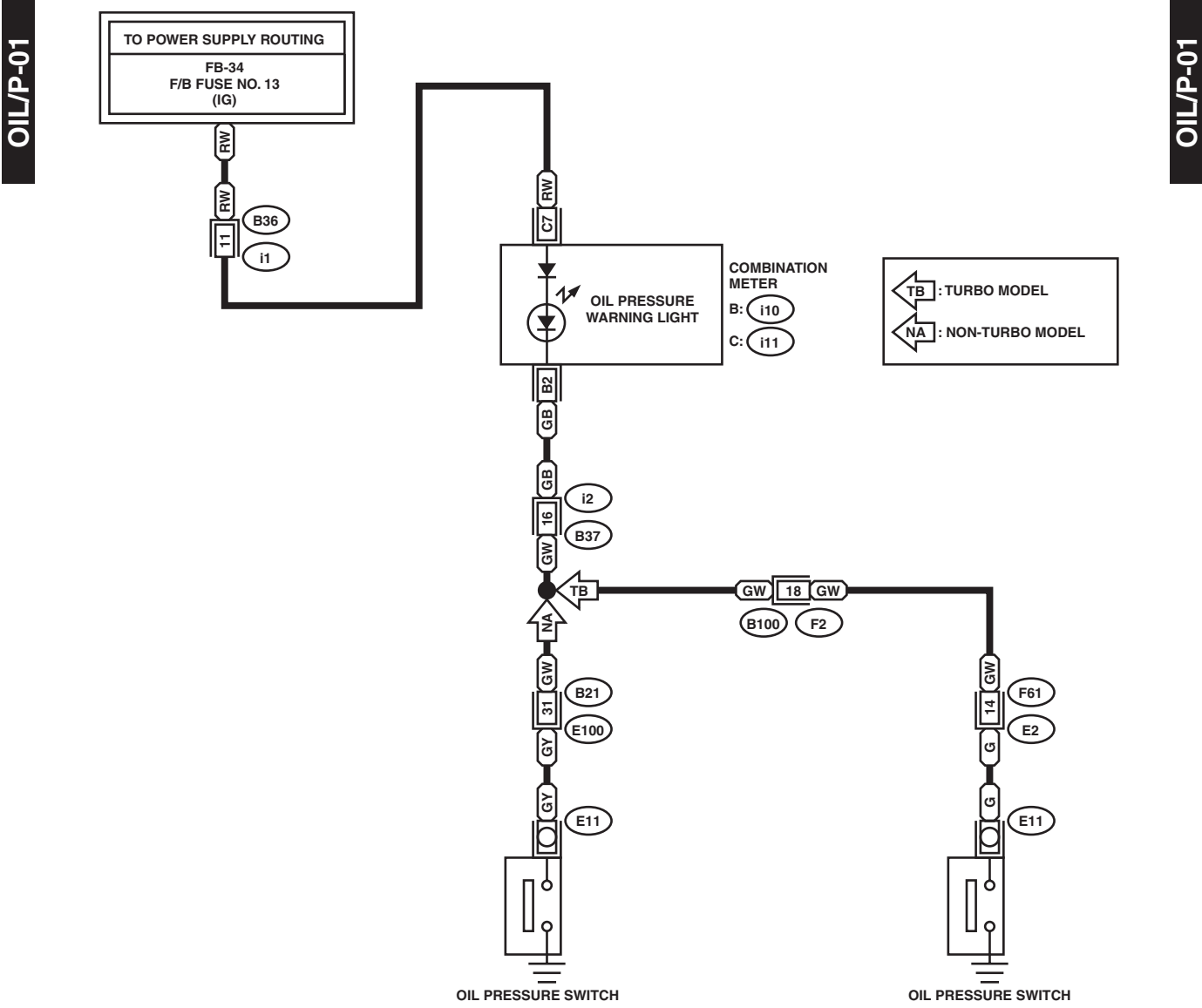
Terminal Block Pinouts:

- R59 HR**: 1 2
- R58**: 1 2 3 / 4 5 6
- C: i11 (GREEN)**: 1 2 3 4 5 6 7 8 9 10
- ES A: i12 (GREEN)**: 1 2 3 4 5 6 / 7 8 9 10 11 12 13 14
- ST A: i12 (GREEN)**: 1 2 3 4 5 6 7 / 8 9 10 11 12 13 14 15 16
- B22 (BROWN) HR**: 1 2 3 4
- F60 (BROWN) HR**: 5 6 7 8 / 9 10 11 12 / 13 14 15 16
- R57**: 1 2 3 / 4 5 6 7 / 8 9 10 11 12 13 14 15 16
- B99**: 1 2 3 4 5 / 6 7 8 9 10 11 / 12 13 14 15 16 17 18 19 20 21 22 23 24
- B37**: 1 2 3 4 / 5 6 7 8 9 / 10 11 12 13 14 15 / 16 17 18 19 / 20 21 22 23 24 25
- i1 (BLUE)**: 1 2 3 4 / 5 6 7 8 9 10 / 11 12 13 14 15 16 / 17 18 19 20 21 22 / 23 24 25 26 27 28
- NA C: B136 HR**: 1 2 3 4 5 6 / 7 8 9 10 11 12 13 14 15 16 / 17 18 19 20 21 22 23 24 25 26 27 / 28 29 30 / 31 32 33 34 35
- ST C: B136 HR**: 1 2 3 4 5 6 / 7 8 9 10 11 12 13 14 15 16 / 17 18 19 20 21 22 23 24 25 26 27 / 28 29 30 / 31 32 33 34 35
- B21 (BLACK)**: 1 2 3 4 5 6 7 8 9 10 11 / 12 13 14 15 16 17 18 19 20 21 22 / 23 24 25 26 27 28 29 30 31 32 33 / 34 35 36 37 38 39 40 41 / 42 43 44 45 46 47 / 48 49 50 51 52 53 54
- F2 (BLACK)**: 1 2 3 4 5 6 / 7 8 9 10 11 / 12 13 14 15 16 17 18 19 20 21 22 23 24
- ES B: B135 HR**: 1 2 3 4 5 6 / 7 8 9 / 10 11 12 13 14 15 16 17 18 19 / 20 21 22 / 23 24 25 26 27 28

WI-05586

40. Oil Pressure Warning Light System

A: WIRING DIAGRAM



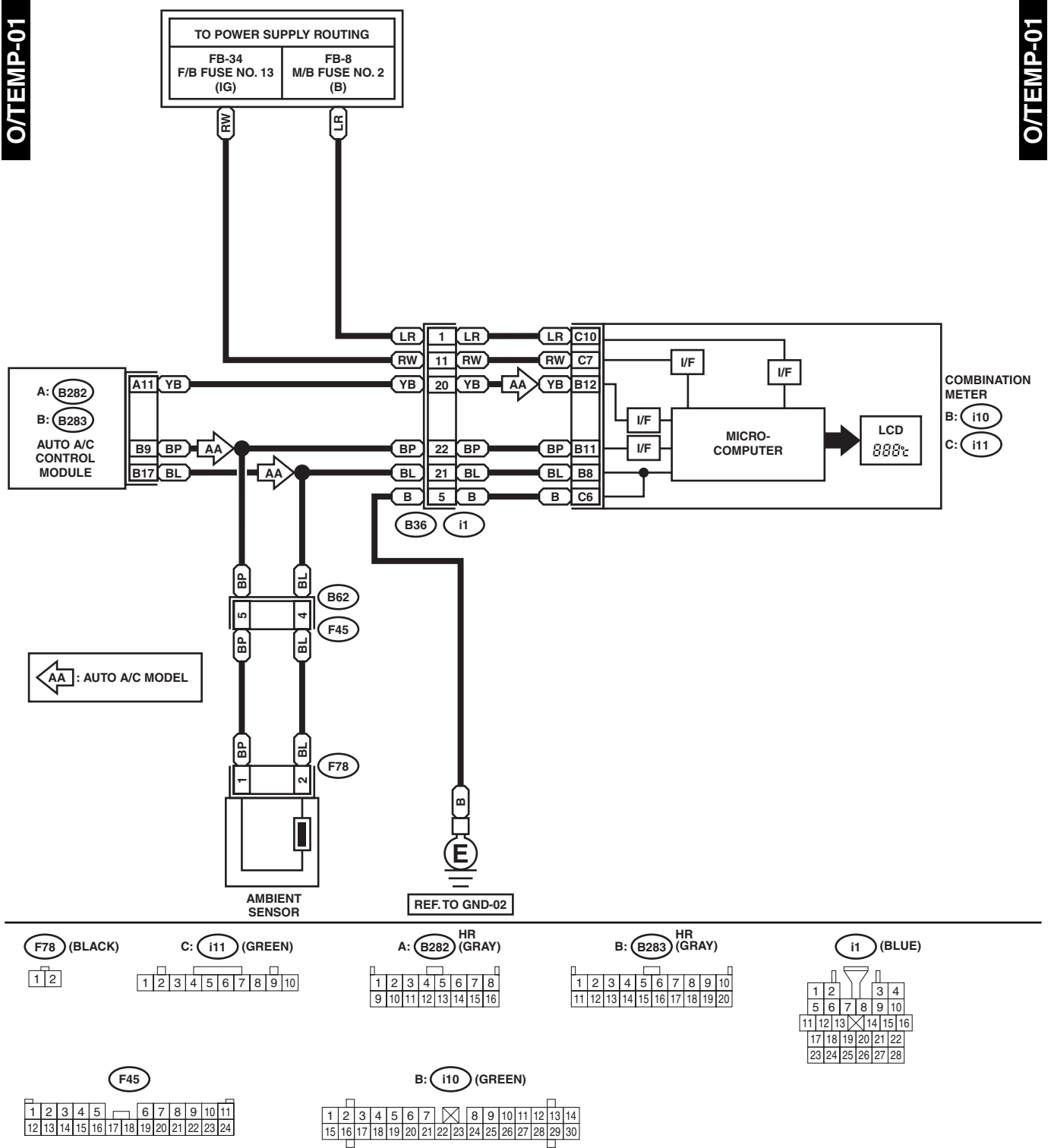
WI-05606

Outside Temperature Display System

WIRING SYSTEM

41. Outside Temperature Display System

A: WIRING DIAGRAM



WI-05607

Parking Brake / Brake Fluid Level Warning Light System

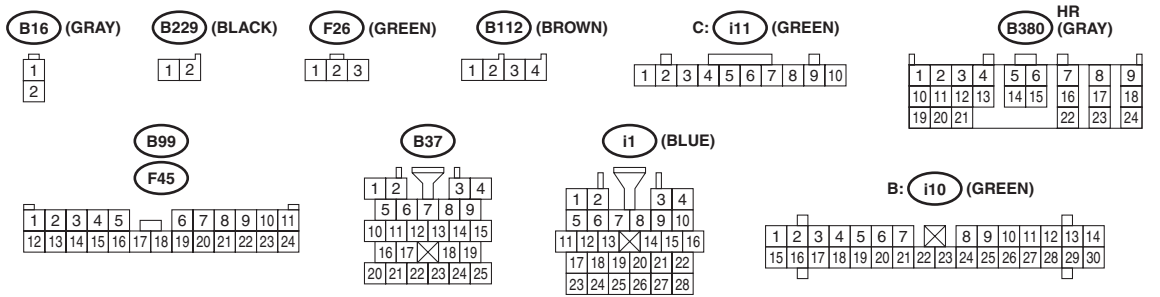
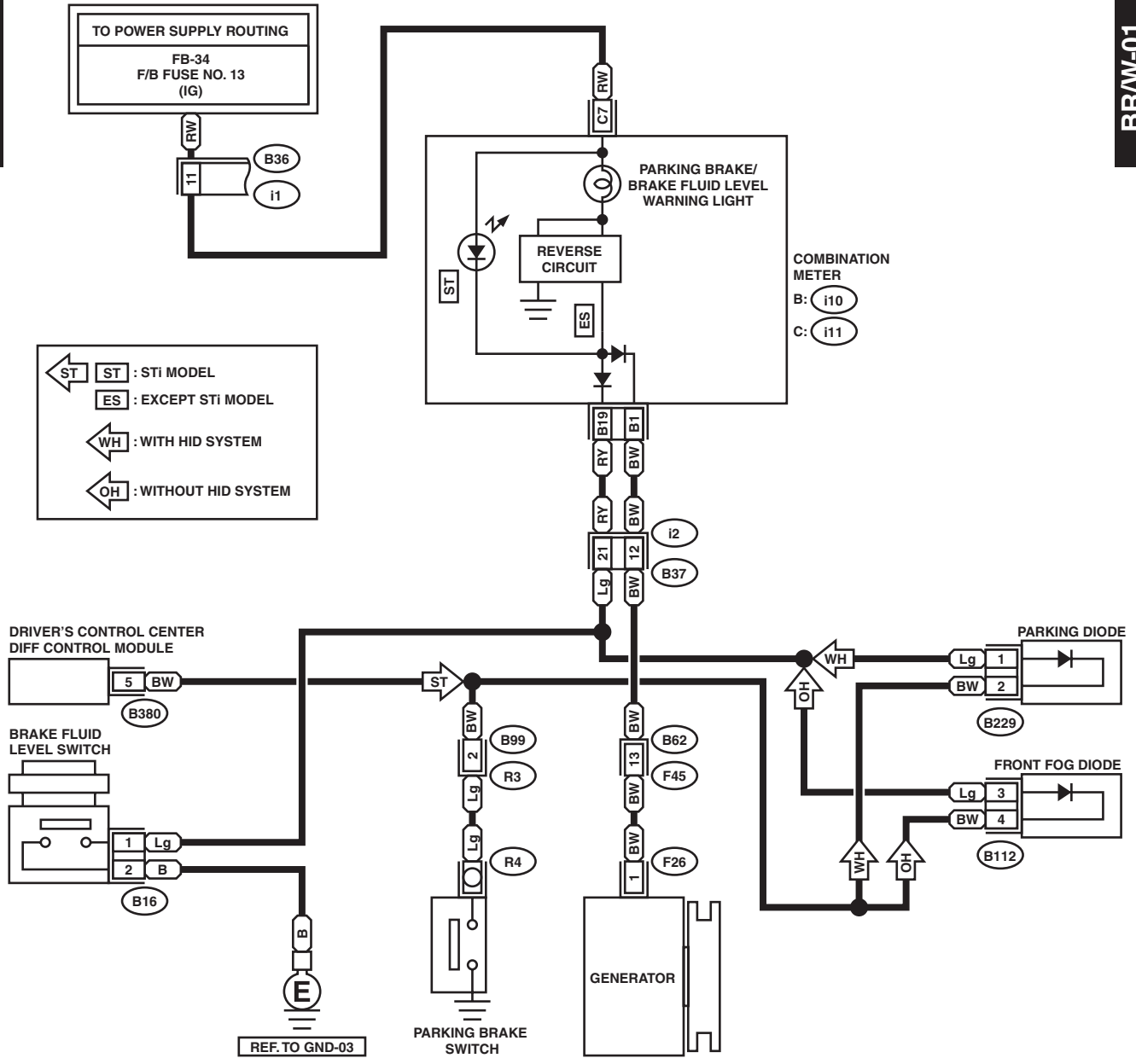
WIRING SYSTEM

42. Parking Brake / Brake Fluid Level Warning Light System

A: WIRING DIAGRAM

BR/W-01

BR/W-01



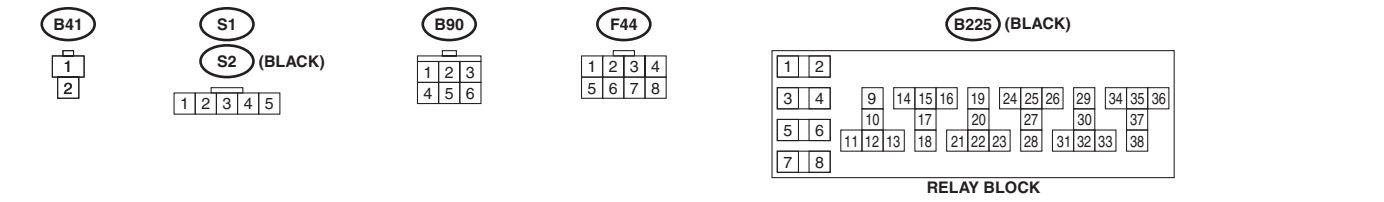
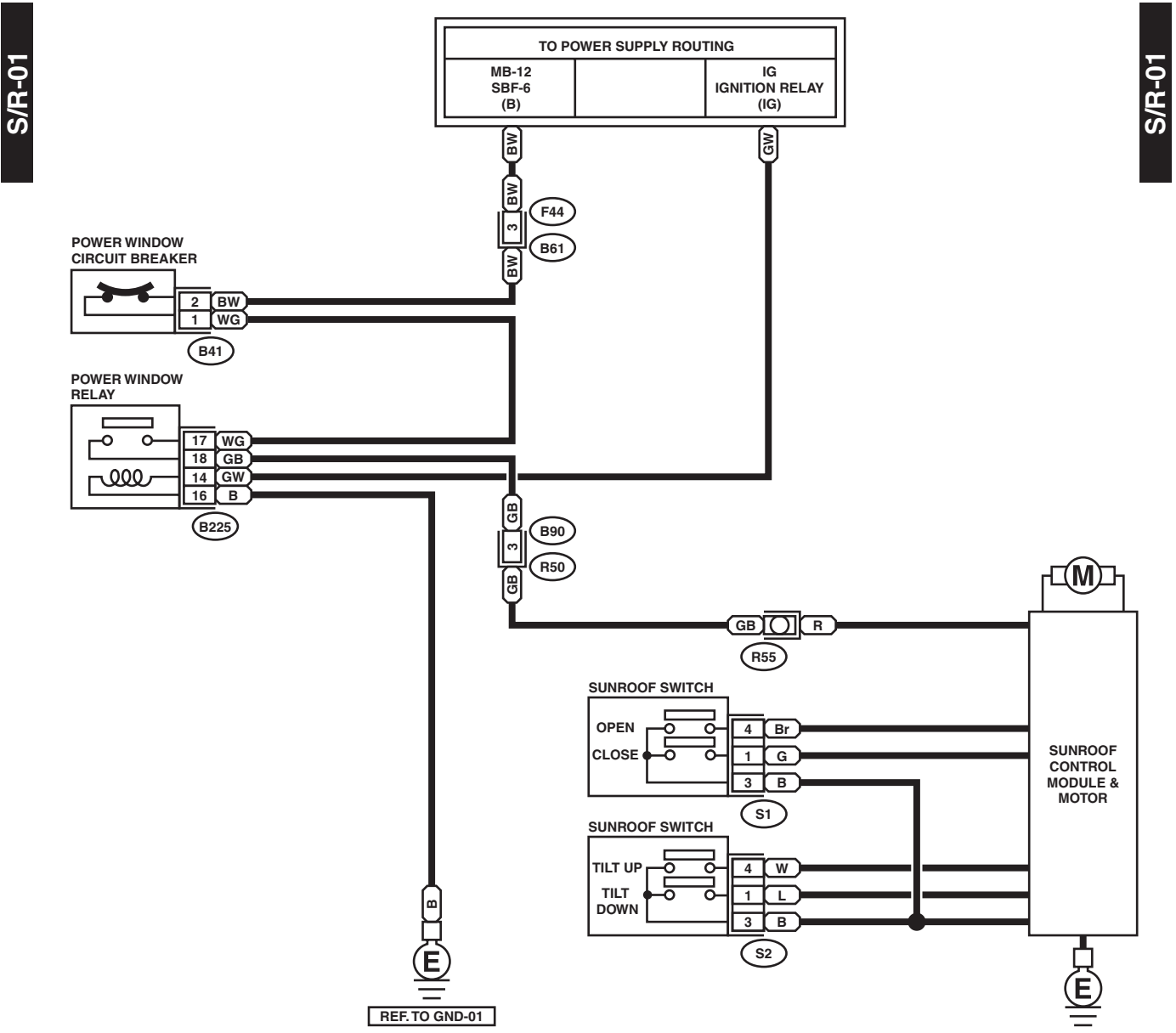
WI-05608

Sunroof Control System

WIRING SYSTEM

43.Sunroof Control System

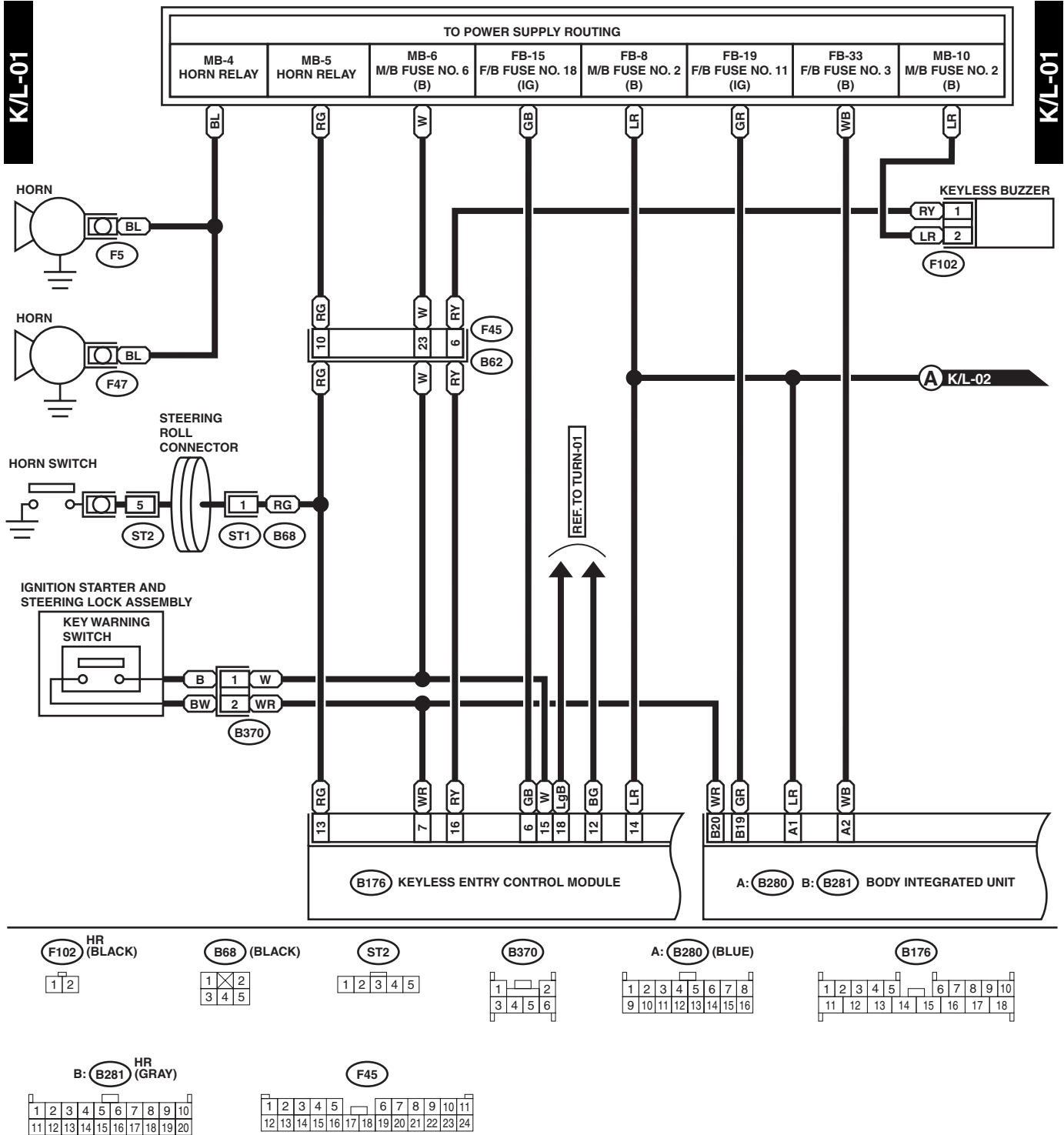
A: WIRING DIAGRAM



WI-02514

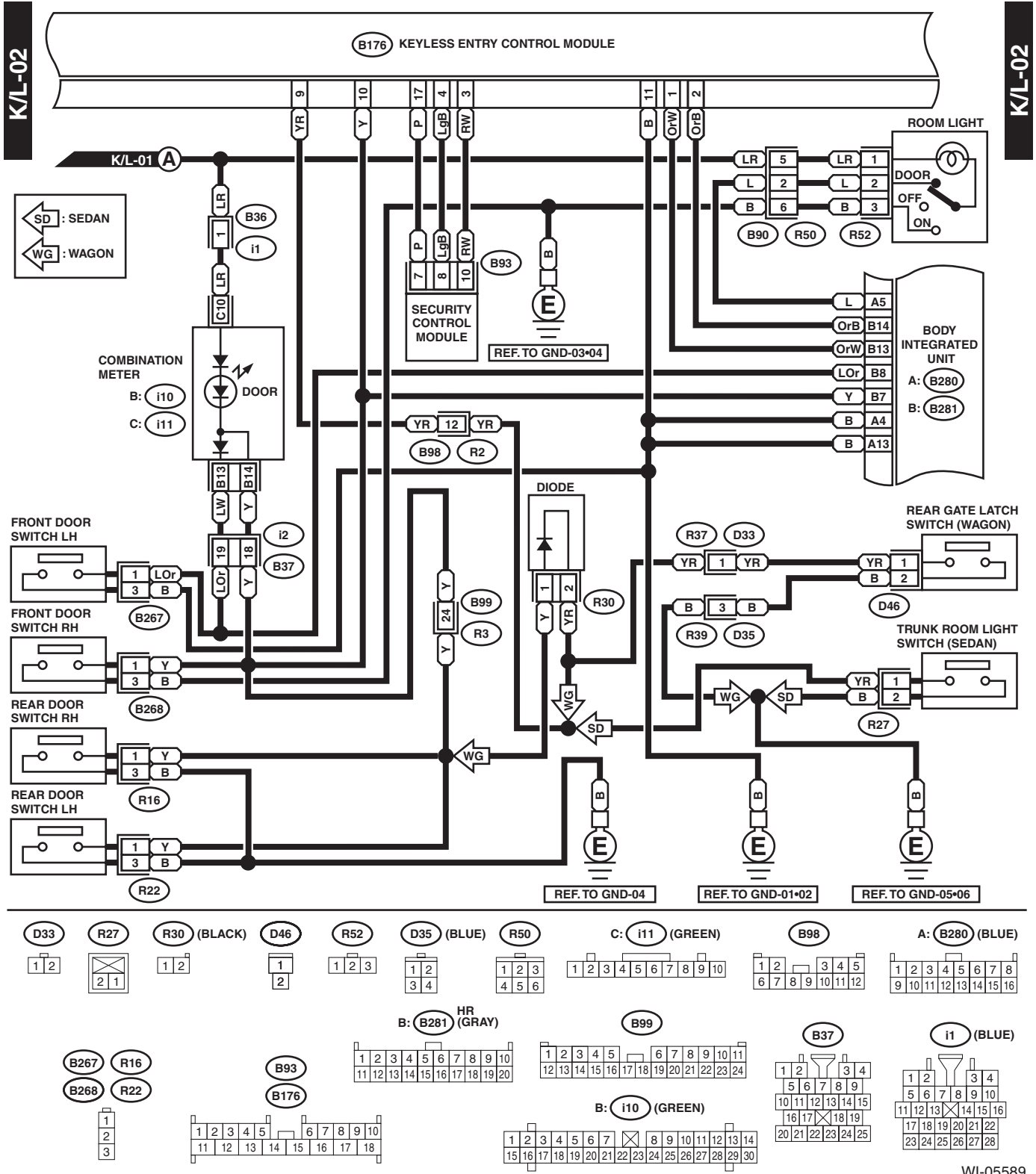
44. Keyless Entry System

A: WIRING DIAGRAM



Keyless Entry System

WIRING SYSTEM



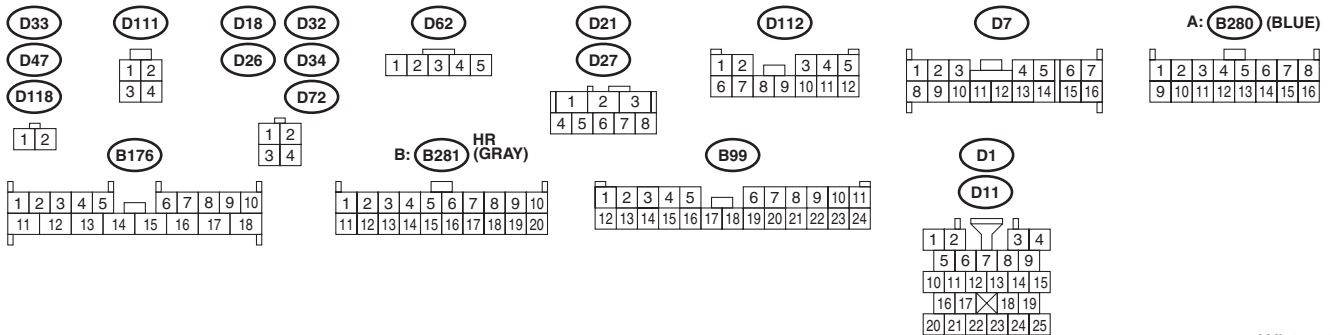
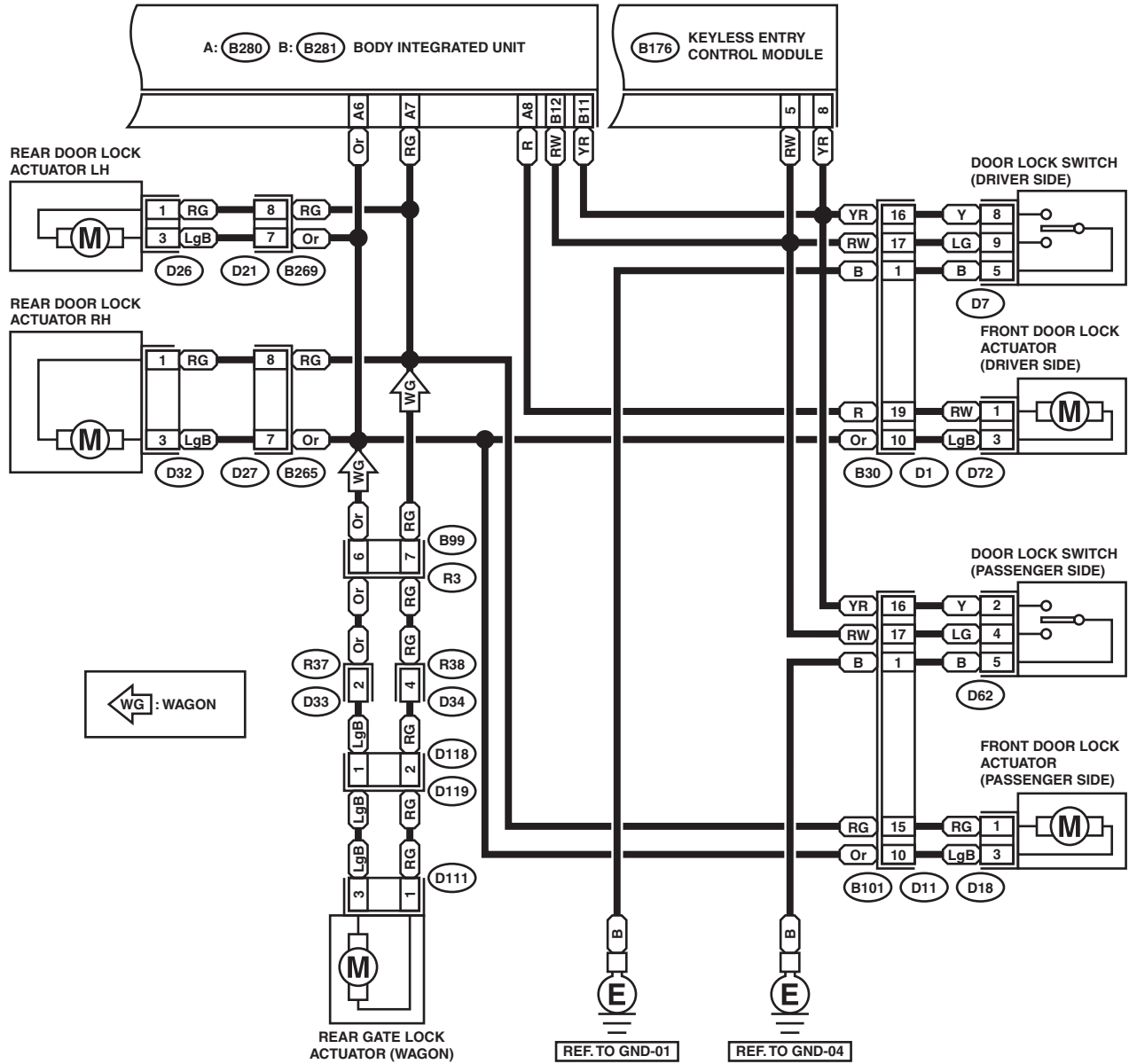
WI-05589

Keyless Entry System

WIRING SYSTEM

K/L-03

K/L-03



WI-05590

Security System

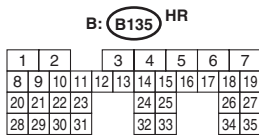
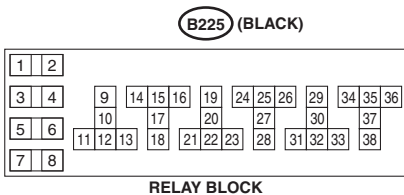
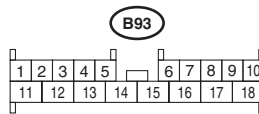
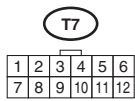
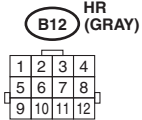
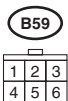
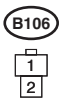
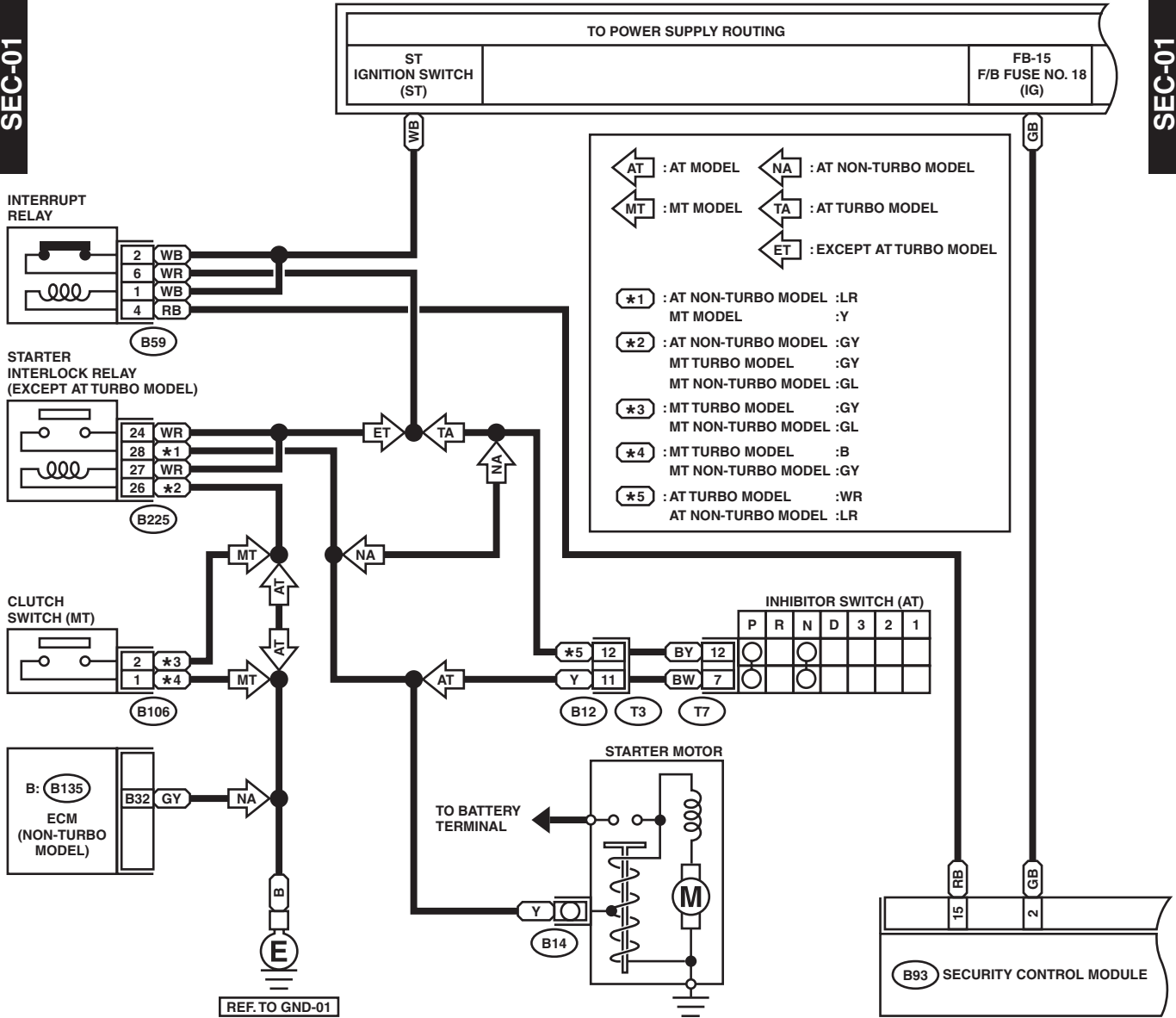
WIRING SYSTEM

45. Security System

A: WIRING DIAGRAM

SEC-01

SEC-01



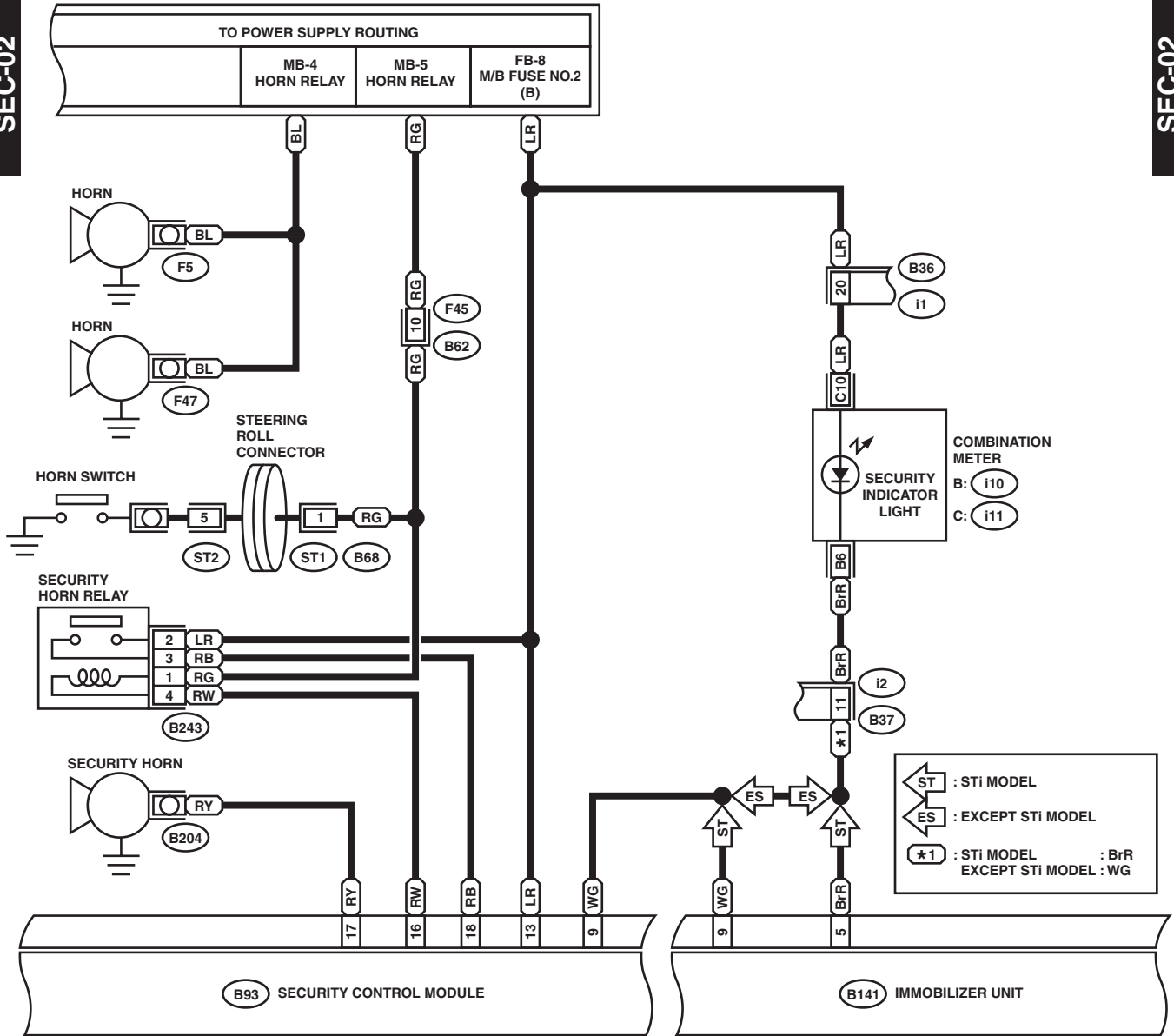
WI-05505

Security System

WIRING SYSTEM

SEC-02

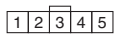
SEC-02



B68 (BLACK)



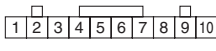
ST2



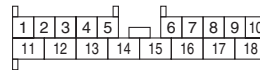
B243



C: i11 (GREEN)



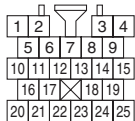
B93



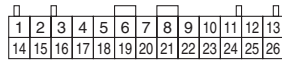
F45



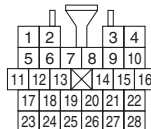
B37



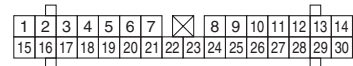
B141 HR



i1 (BLUE)



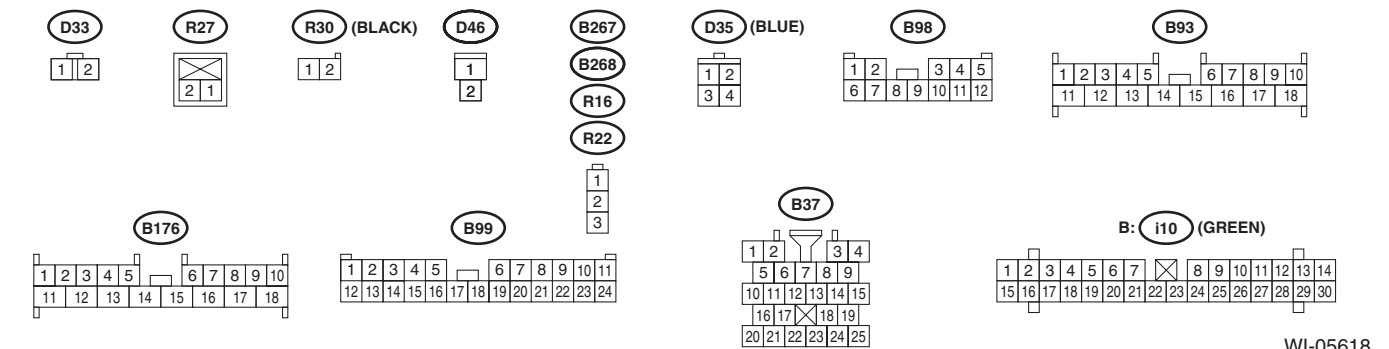
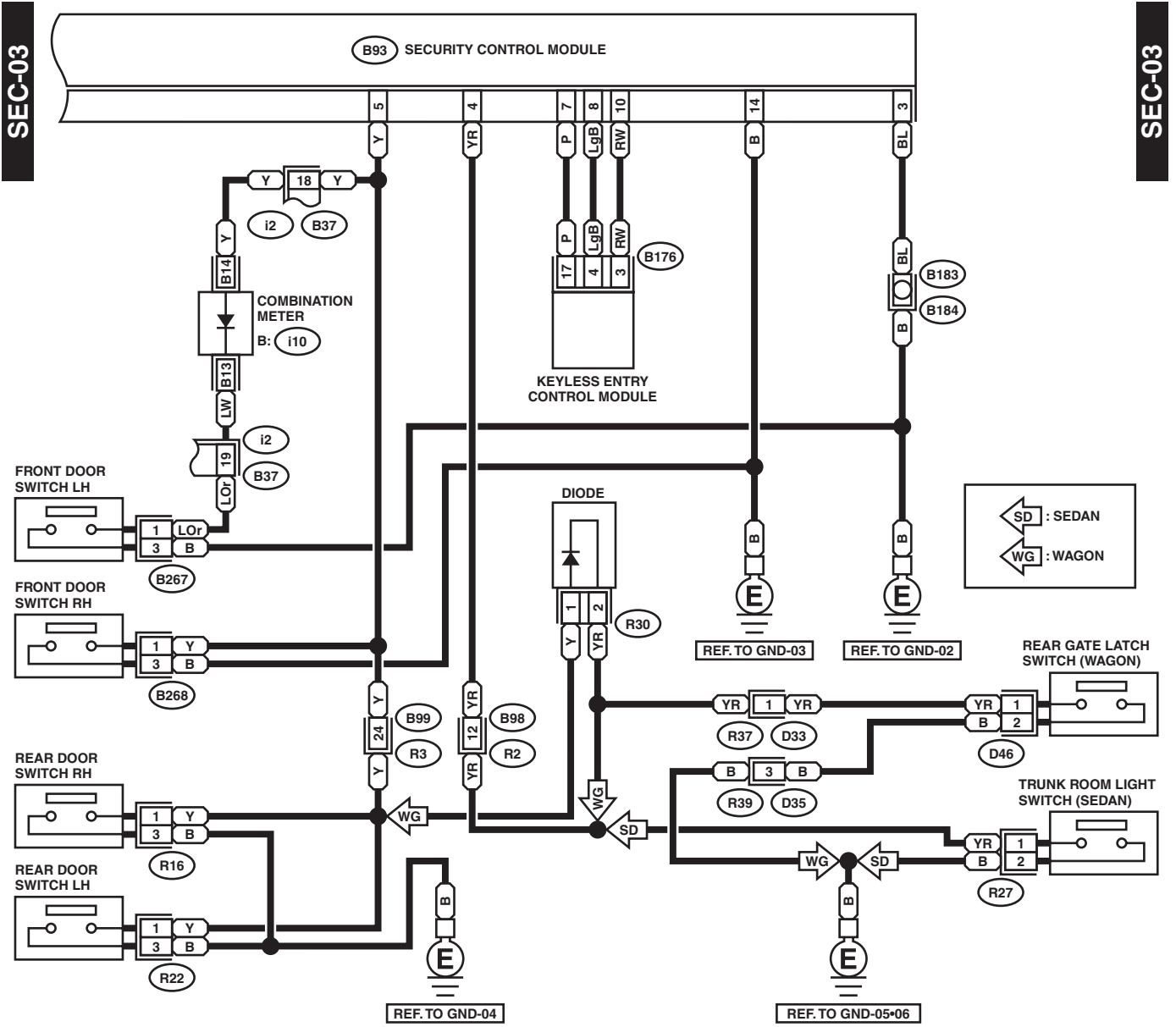
B: i10 (GREEN)



WI-05617

Security System

WIRING SYSTEM



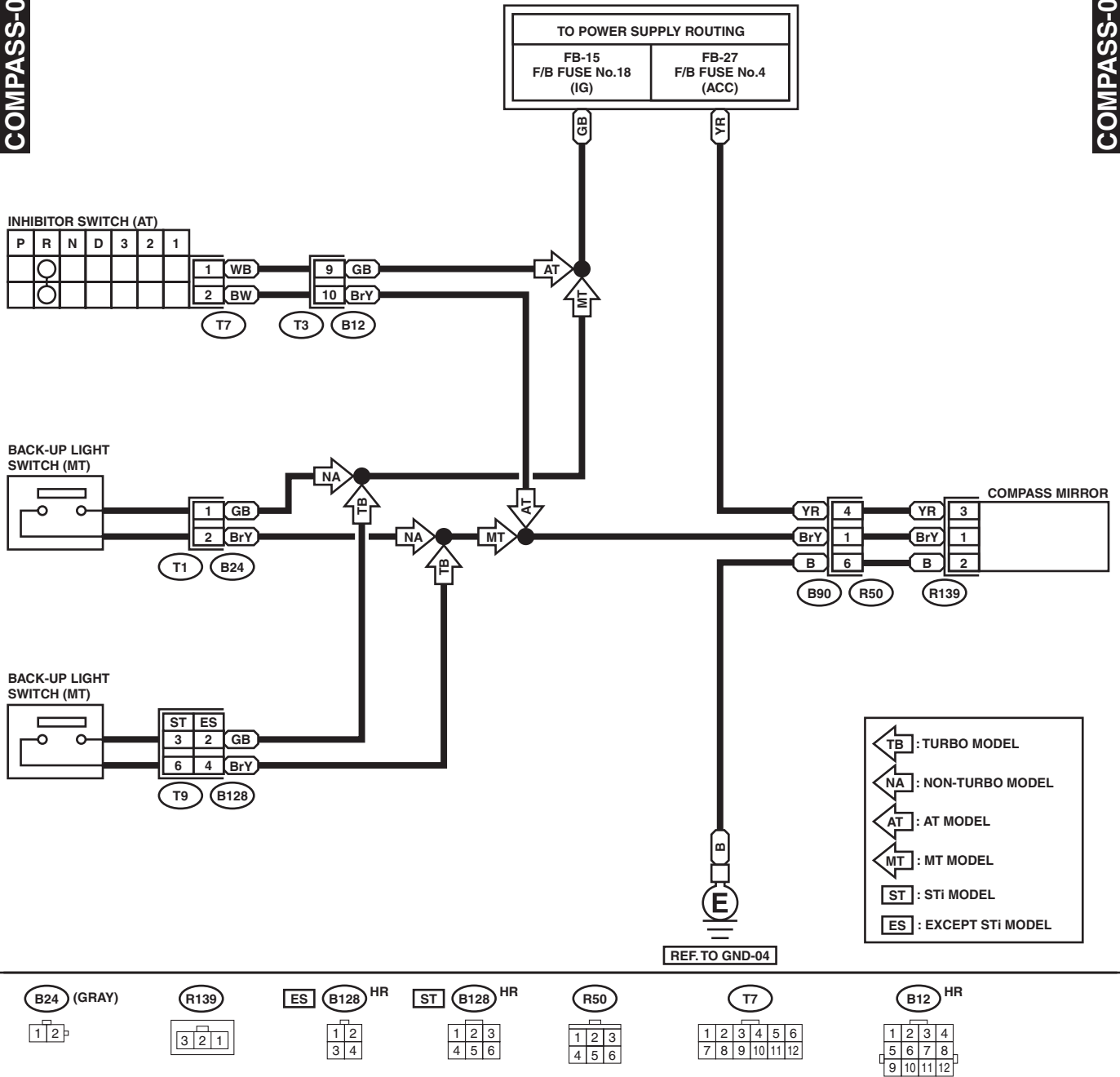
WI-05618

46. Compass Mirror System

A: WIRING DIAGRAM

COMPASS-01

COMPASS-01

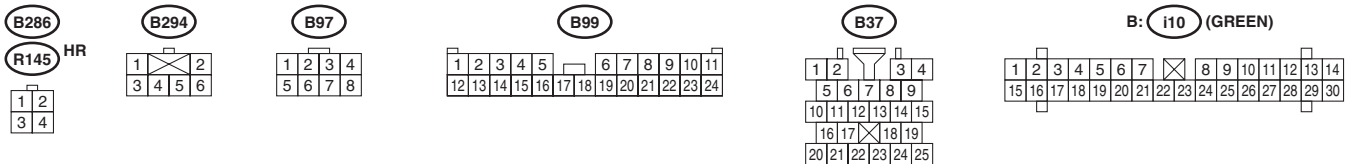
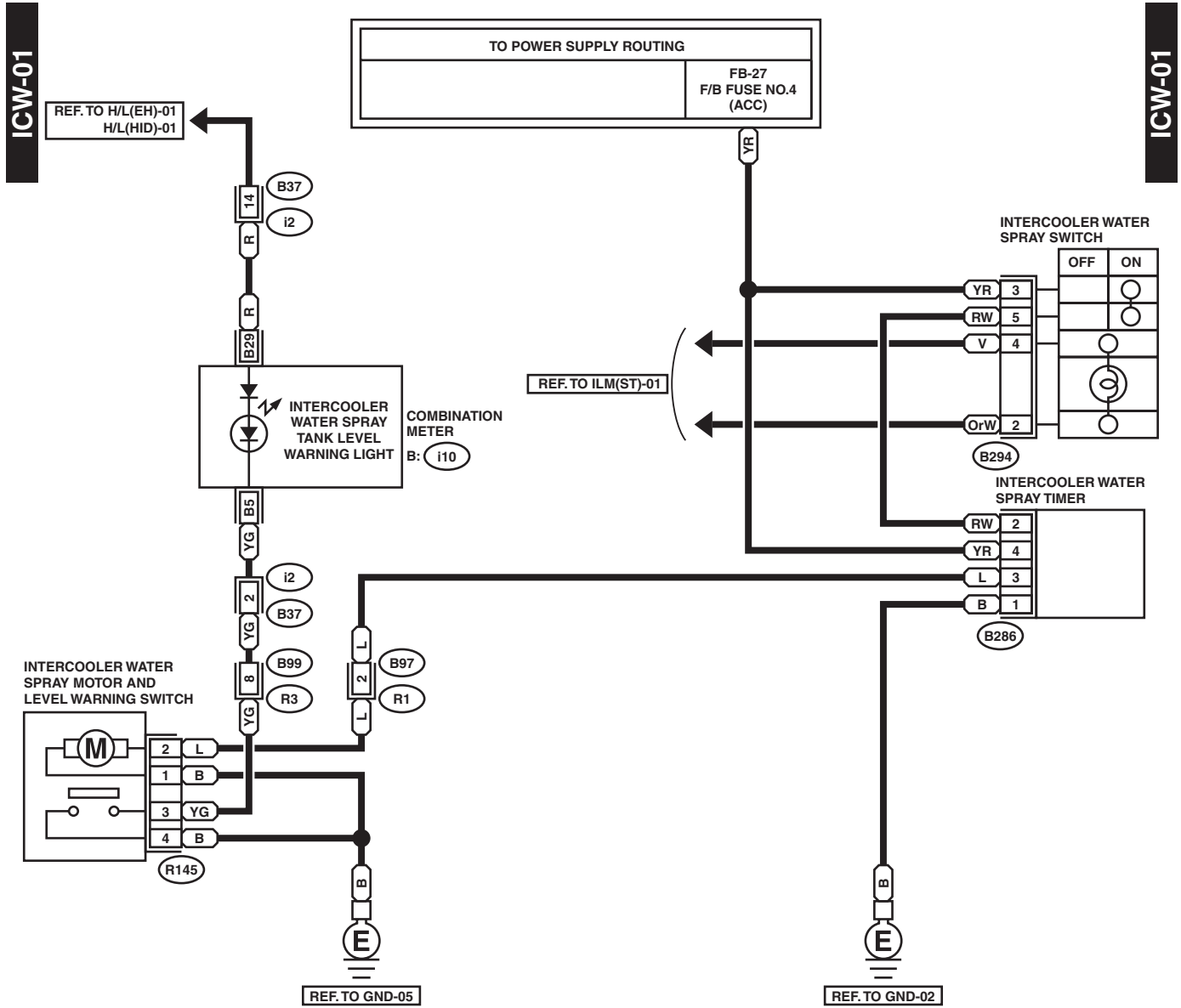


Intercooler Water Spray System

WIRING SYSTEM

47. Intercooler Water Spray System

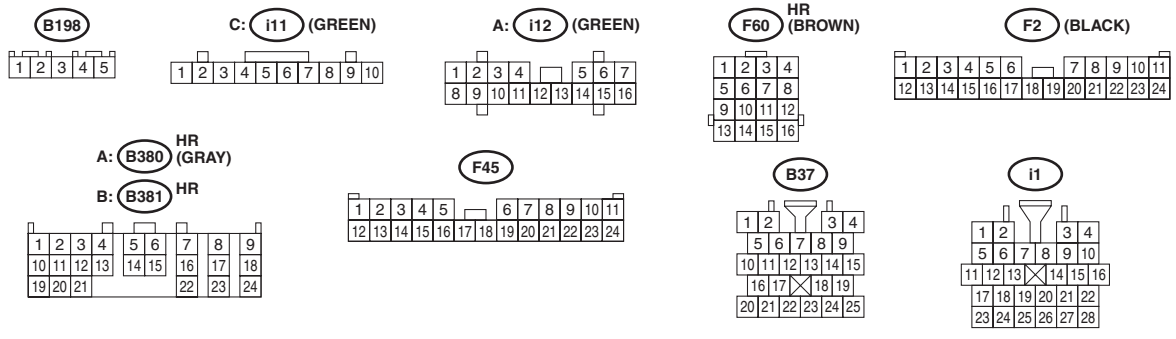
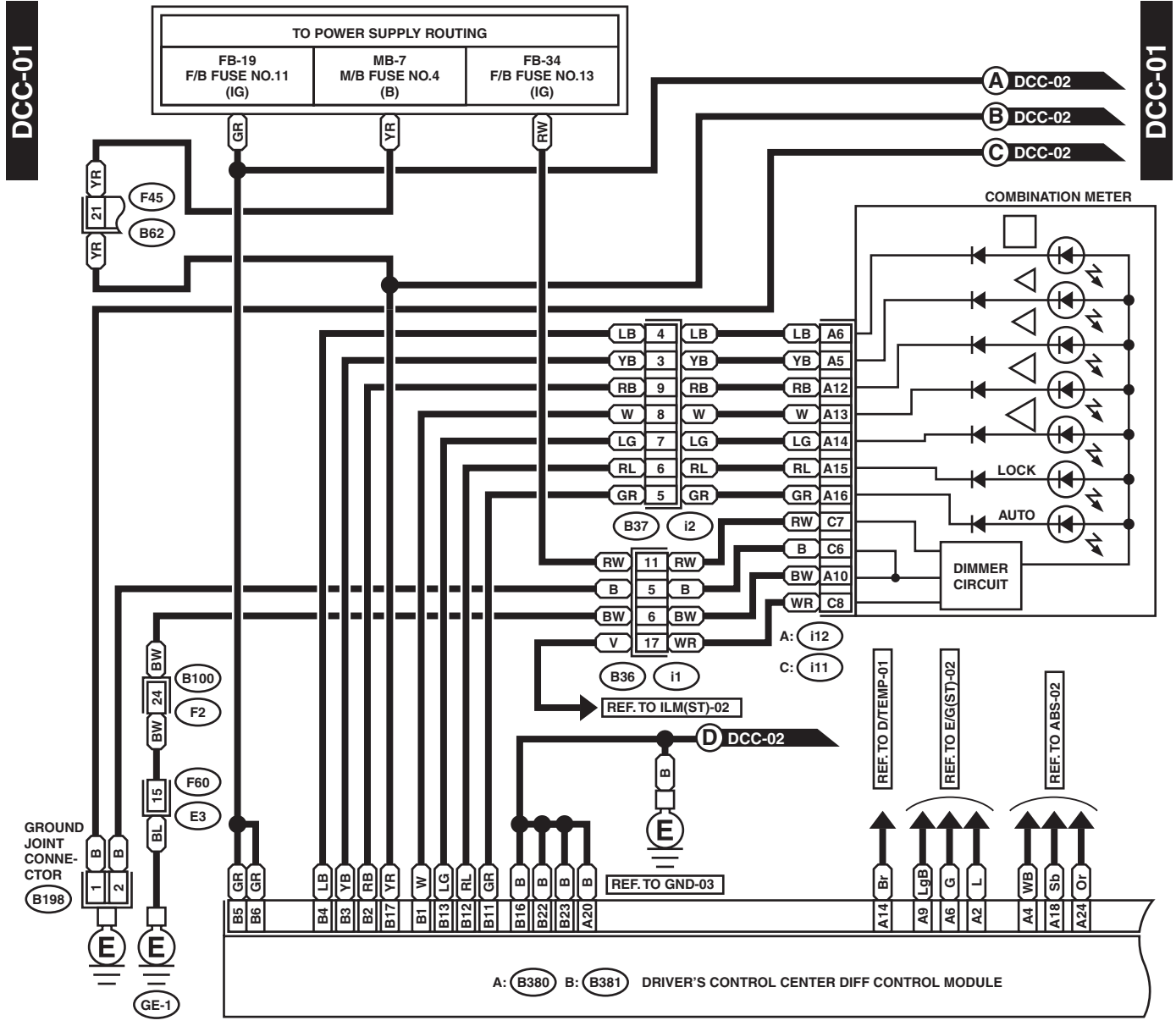
A: WIRING DIAGRAM



WI-05623

48.Driver's Control Center Differential Control System

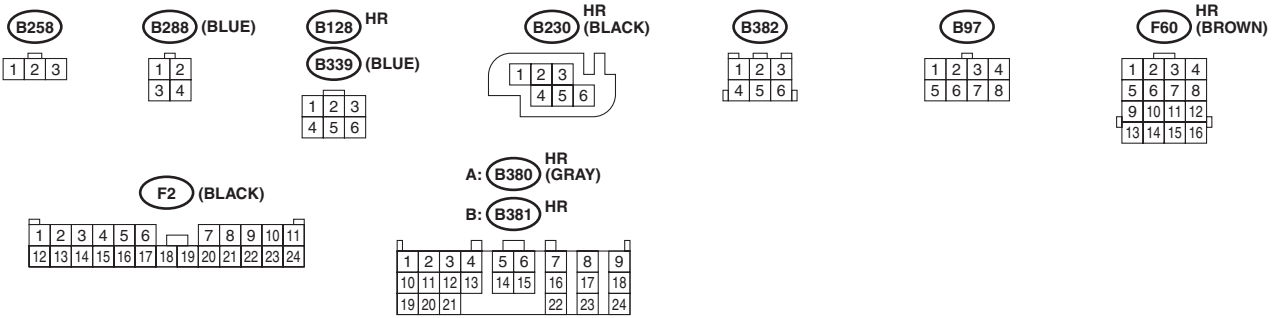
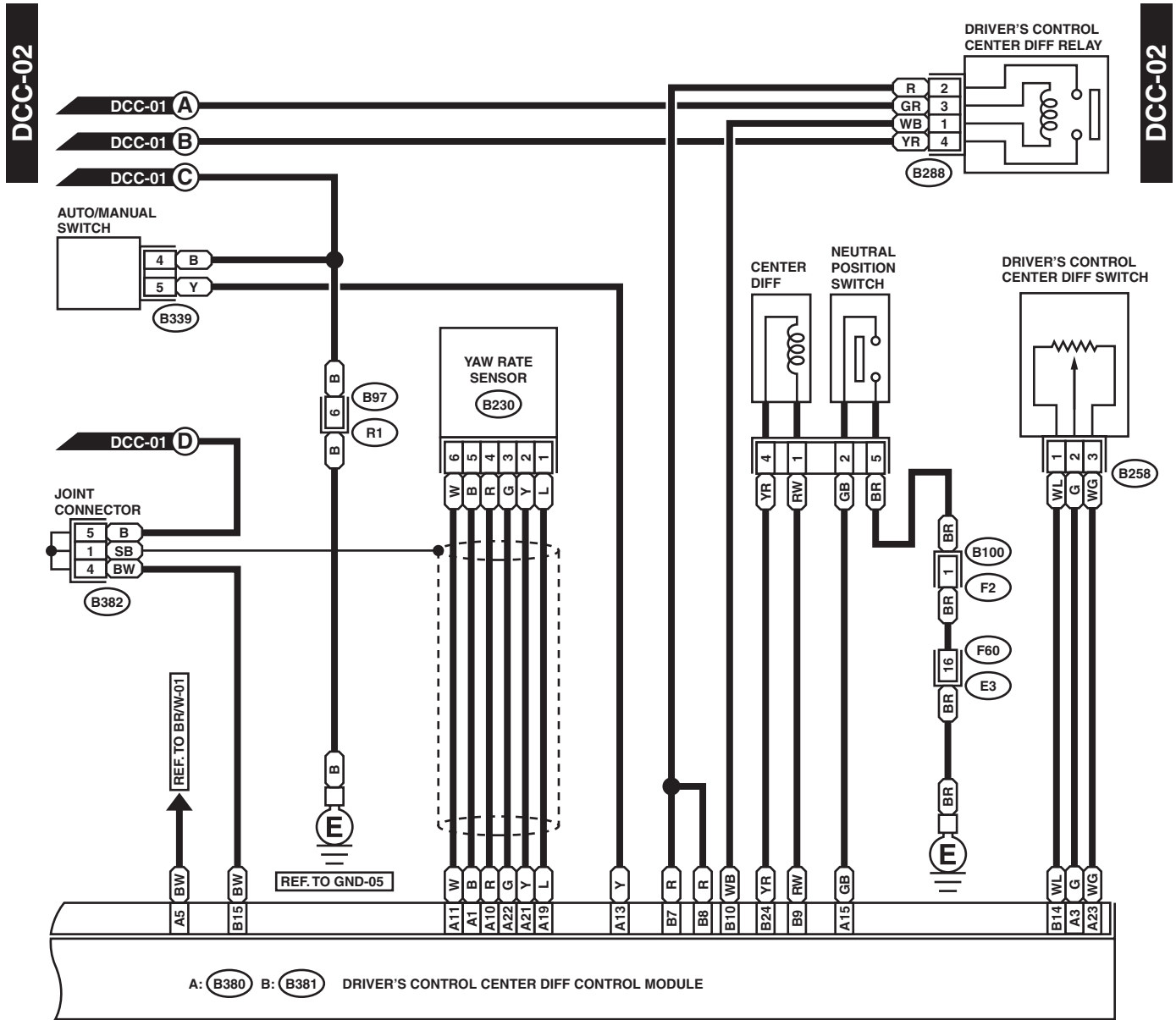
A: WIRING DIAGRAM



WI-05624

Driver's Control Center Differential Control System

WIRING SYSTEM



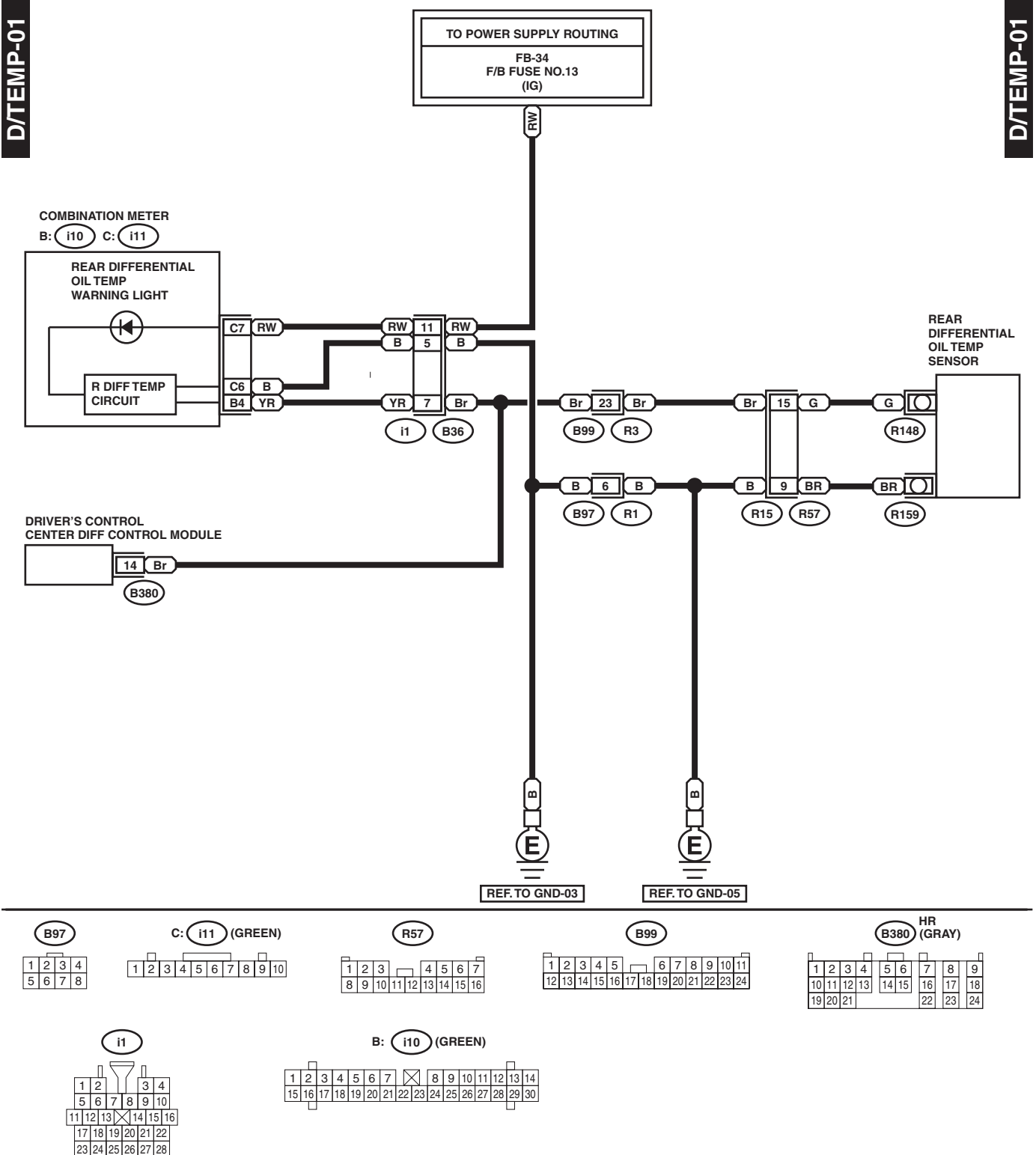
WI-05625

Rear Differential Oil Temperature Warning Light System

WIRING SYSTEM

49.Rear Differential Oil Temperature Warning Light System

A: WIRING DIAGRAM



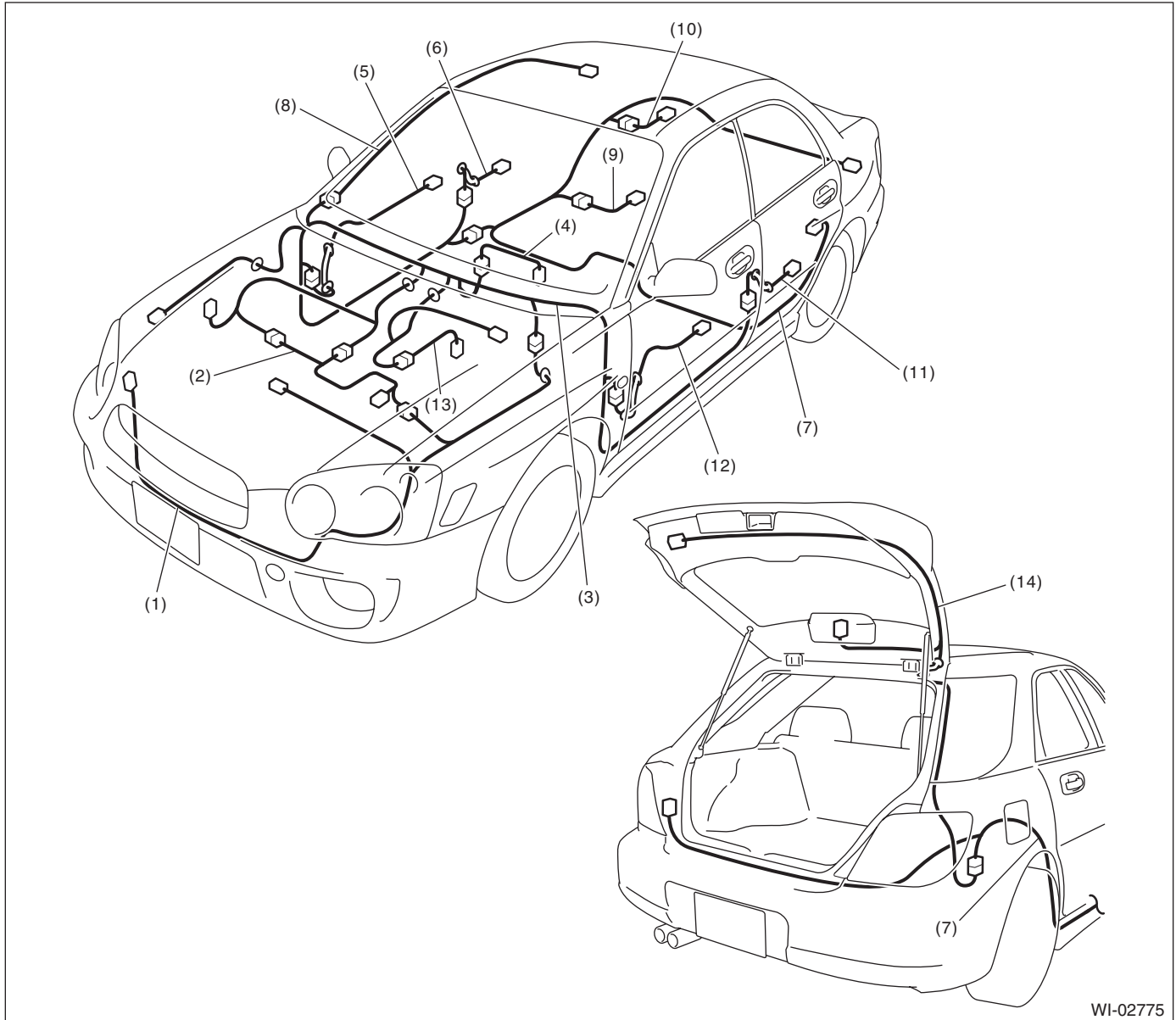
WI-05612

Harness Components Location

WIRING SYSTEM

50. Harness Components Location

A: LOCATION



WI-02775

- | | | |
|-------------------------------------|-------------------------|-------------------------|
| (1) Front wiring harness | (6) Rear door cord RH | (11) Trunk lid cord |
| (2) Engine wiring harness | (7) Rear wiring harness | (12) Front door cord LH |
| (3) Bulkhead wiring harness | (8) Roof cord | (13) Transmission cord |
| (4) Instrument panel wiring harness | (9) Fuel tank cord | (14) Rear door cord LH |
| (5) Front door cord RH | (10) Rear gate cord | |

Front Wiring Harness

WIRING SYSTEM

51. Front Wiring Harness

A: LOCATION

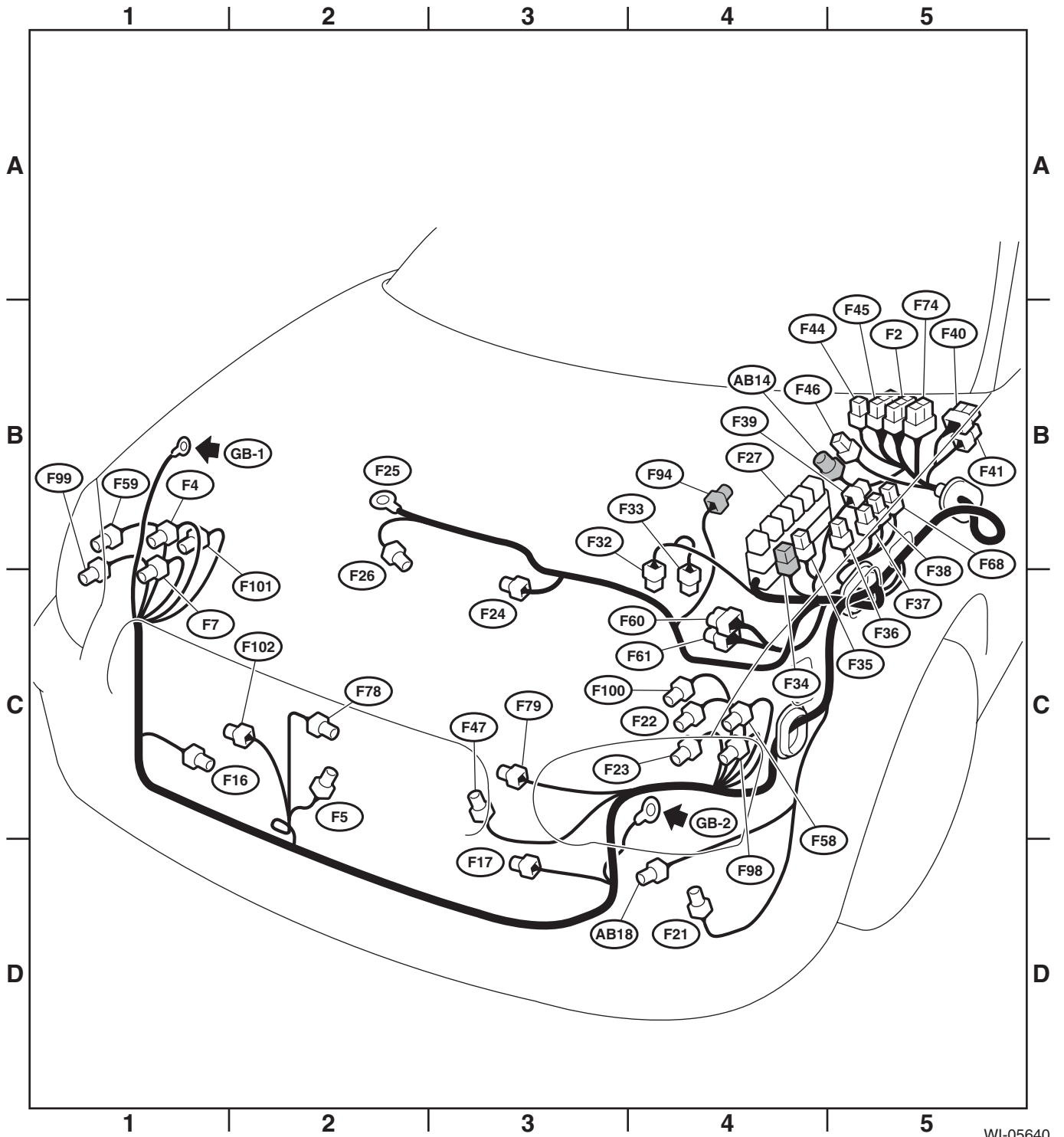
Connector				Connecting to	
No.	Pole	Color	Area	No.	Name
F2	24	Black	B-5	B100	Bulkhead wiring harness
F4	3	Black	B-1		Front Clearance light RH and front turn signal light RH
F5	1	★	C-2		Horn
F7	2	Gray	B-1		Headlight RH (Low beam)
F16	2	Black	C-1		Sub fan motor (Non-turbo model)
	4	Gray	C-1		Sub fan motor (Except for non-turbo model)
F17	2	Gray	D-3		Radiator main fan motor (Non-turbo model)
	4	Gray	D-3		Radiator main fan motor (Except for non-turbo model)
F21	2	Black	D-4		Front fog light LH
F22	3	Black	C-4		Front Clearance light LH and front turn signal light LH
F23	2	Gray	C-4		Headlight LH (Low beam)
F24	1	Gray	C-3		A/C compressor
F25	1	★	B-2		Generator
F26	3	Green	B-2		
F27	36	Black	B-4		A/C relay holder
F32	2	Green	C-4		Front washer motor
F33	2	★	C-4		Rear washer motor
F34	4	Black	B-4		Main fuse box (M/B)
F35	2	Black	B-4		
F36	3	★	B-5		
F37	6	Black	B-5		
F38	1	★	B-5		
F39	8	★	B-5		
F40	9	Brown	B-5		
F41	7	Gray	B-5		Fuse & relay box (F/B)
F44	8	★	B-5	B61	Bulkhead wiring harness
F45	24	★	B-5	B62	Bulkhead wiring harness
F46	2	Black	B-5	B108	Bulkhead wiring harness
F47	1	★	C-3		Horn
F58	6	Gray	C-4		Headlight leveler LH
F59	6	Gray	B-1		Headlight leveler RH
F60	16	Brown	C-4	E3	Engine wiring harness (Turbo model)
F61	20	Black	C-4	E2	Engine wiring harness (Turbo model)
F68	4	Black	B-5		Main fuse box (M/B)
F74	16	Blue	B-5	B200	Bulkhead wiring harness (Turbo model)
	20	Blue	B-5	B200	Bulkhead wiring harness (STi model)
F78	2	Black	C-2		Ambient sensor
F79	2	Gray	C-3		A/C pressure switch
F94	2	Gray	B-4		ABS front sensor
F98	2	Black	C-4		Headlight LH (High beam)
F99	2	Black	C-1		Headlight RH (High beam)
F100	2	Black	C-4		Headlight ballast LH (Model with HID)
F101	2	Black	B-1		Headlight ballast RH (Model with HID)
F102	2	Black	C-2		Keyless buzzer

★: Non-colored

Front Wiring Harness

WIRING SYSTEM

Connector				Connecting to	
No.	Pole	Color	Area	No.	Name
AB14	2	Yellow	B-4	AB13	Airbag wiring harness
AB18	2	Yellow	D-4		Front sub sensor



WI-05640

Bulkhead Wiring Harness (In Engine Room)

WIRING SYSTEM

52. Bulkhead Wiring Harness (In Engine Room)

A: LOCATION

1. EXCEPT FOR NON-TURBO MODEL

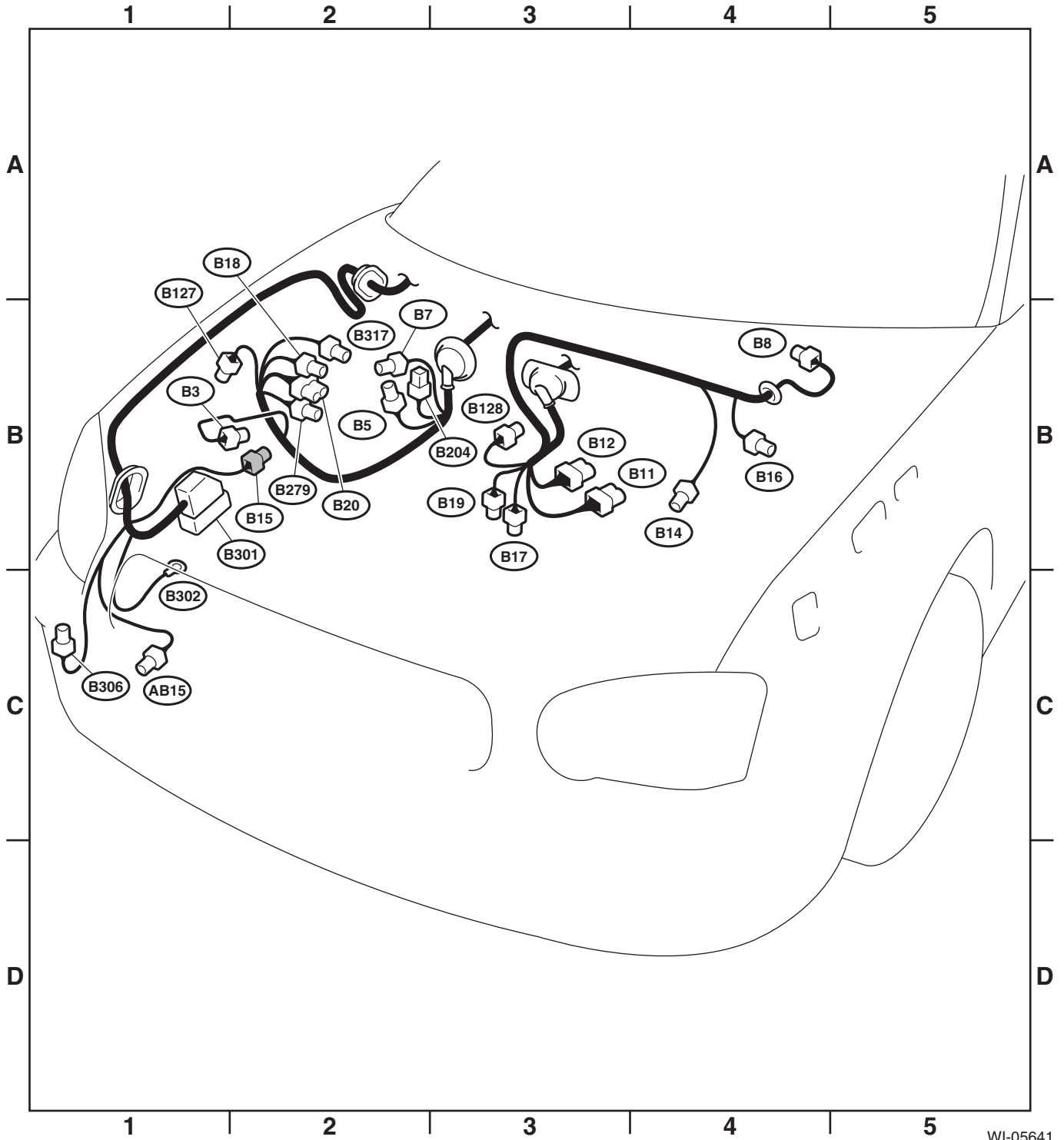
Connector				Connecting to	
No.	Pole	Color	Area	No.	Name
B3	5	Black	B-2		Mass air flow meter
B5	2	Gray	B-2		Resistor (Daytime running light)
B7	6	Black	B-2		Cruise control actuator (Turbo model)
B8	5	Black	B-4		Front wiper motor
B11	20	Black	B-3	T4	Transmission code (AT model)
B12	12	Gray	B-3	T3	
B14	1	Black	B-4		Starter (Magnet)
B15	2	Gray	B-2		ABS front sensor RH
B16	2	Gray	B-4		Brake fluid level switch
B17	4	Gray	B-3		Vehicle speed sensor (MT) (Turbo model)
	3	Black	B-3		Vehicle speed sensor (MT) (STi model)
B18	4	Gray	B-2		Front oxygen (A/F) sensor
B19	4	Gray	B-3	T5	Rear oxygen sensor cord
B20	10	★	B-2	E1	Engine wiring harness
B127	2	★	B-1		Wastegate solenoid
B128	4	Gray	B-3	T9	Transmission code (MT) (Turbo model)
	6	★	B-3	T9	Transmission code (MT) (STi model)
B204	1	★	B-2		Security horn
B279	2	Gray	B-2		Exhaust temperature sensor (Turbo model)
B301	26	Black	B-1		ABS control module
B302	1	★	B-1		ABS motor ground
B306	2	Black	C-1		Front fog light RH
B317	4	★	B-2	E56	Engine wiring harness (STi model)

★: Non-colored

Connector				Connecting to	
No.	Pole	Color	Area	No.	Name
AB15	2	Yellow	C-1		Front sub sensor RH

Bulkhead Wiring Harness (In Engine Room)

WIRING SYSTEM



WI-05641

Bulkhead Wiring Harness (In Engine Room)

WIRING SYSTEM

2. NON-TURBO ENGINE MODEL

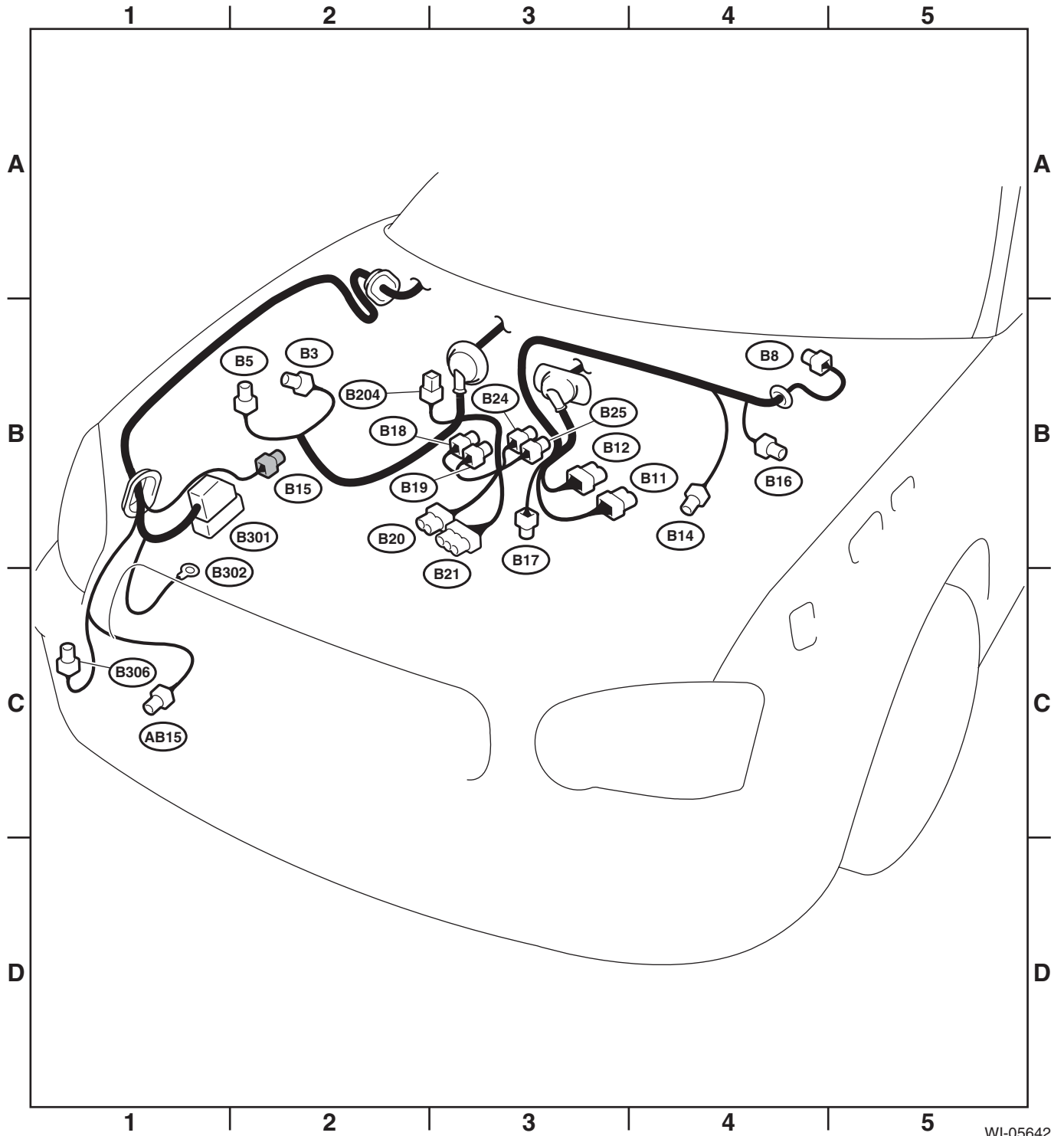
Connector				Connecting to	
No.	Pole	Color	Area	No.	Name
B3	5	Black	B-2		Mass air flow meter
B5	2	Gray	B-2		Resistor (Daytime running light)
B8	5	Black	B-4		Front wiper motor
B11	20	Black	B-3	T4	Transmission code (AT model)
B12	12	Gray	B-3	T3	
B14	1	Black	B-2		Starter (Magnet)
B15	2	Gray	B-2		ABS front sensor RH
B16	2	Gray	B-4		Brake fluid level switch
B17	3	★	B-3		Vehicle speed sensor (MT model)
B18	6	Gray	B-3		Front oxygen (A/F) sensor
B19	4	Gray	B-3	T5	Rear oxygen sensor cord
B20	16	Brown	B-3	E1	Engine wiring harness
B21	54	Black	B-3	E100	
B24	2	Gray	B-3	T1	Back-up light switch (MT model)
B25	2	Brown	B-3	T2	Neutral switch (MT model)
B204	1	★	B-2		Security horn
B301	26	Black	B-1		ABS control module
B302	1	★	B-1		ABS motor ground
B306	2	Black	C-1		Front fog light RH

★: Non-colored

Connector				Connecting to	
No.	Pole	Color	Area	No.	Name
AB15	2	Yellow	C-1		Front sub sensor RH

Bulkhead Wiring Harness (In Engine Room)

WIRING SYSTEM



WI-05642

53. Bulkhead Wiring Harness (In Compartment)

A: LOCATION

Connector				Connecting to	
No.	Pole	Color	Area	No.	Name
B30	25	★	C-1	D1	Front door cord LH
B31	6	Yellow	D-1	AB1	SRS (Airbag) harness
B32	3	Black	B-2		Turn signal and hazard module
B36	28	Blue	B-3	i1	Instrument panel wiring harness
B37	25	★	B-3	i2	
B40	16	Black	C-3		Data link connector
B41	2	★	C-1		Power window circuit breaker
B46	4	Green	B-5		Fuel pump relay
B47	6	Brown	B-5		Main relay
B50	4	★	C-1		Blower fan relay
B51	8	Blue	C-1		Fuse & relay box (F/B)
B52	7	★	C-1		
B53	12	Black	C-2		Shield joint connector (AT turbo model)
	8	★	C-2		Shield joint connector (AT non-turbo model)
B54	17	★	B-2		TCM (Non-turbo model)
	24	★	B-2		TCM (Turbo model)
B55	24	★	B-2		TCM (Non-turbo model)
	24	Gray	B-2		TCM (Turbo model)
B56	31	★	B-2		TCM (Non-turbo model)
	24	Green	B-2		TCM (Turbo model)
B59	6	★	B-2		Interrupt relay (Security)
B61	8	★	B-2	F44	Front wiring harness
B62	24	★	B-2	F45	
B65	4	Black	B-2		Stop light and brake light switch
B68	5	Black	C-3		Cruise control sub switch and horn switch (Roll connector)
B69	4	★	C-3		Parking switch
B70	18	★	C-3		Combination switch
B71	17	★	C-3		
B72	4	Blue	B-3		Ignition switch
B75	2	Green	C-2	B76	Test mode connector
B76	2	Green	C-2	B75	
B77	3	★	B-4		Mode actuator
B79	14	Gray	C-3		Check connector
B81	1×2	★	C-2		Diagnosis terminal (Ground)
B83	8	★	C-5		Shield and sensor ground joint connector

Connector				Connecting to	
No.	Pole	Color	Area	No.	Name
B84	31	★	C-4		ECM (Turbo model)
B86	4	Brown	B-4		Blower motor resistor
B87	2	★	B-4		Blower motor
B88	4	Brown	B-3		Evaporation thermostat
B90	6	★	B-5	R50	Roof cord
B91	6	Black	B-4		FRESH/RECIRC actuator
B93	18	★	B-4		Security control module
B94	20	Black	C-1		Cruise control module
B95	2	Black	B-4		Diode (Daytime running light)
B96	10	★	B-5		Daytime running light control module
B100	24	Black	B-1	F2	Front wiring harness
B101	25	★	B-5	D11	Front door cord RH
B102	5	★	B-5		Daytime running light relay
B103	4	★	B-5		High-beam relay (Daytime running light)
B106	2	★	B-2		Clutch switch (MT model)
B107	2	Blue	B-2		Clutch switch (Cruise control)
B108	2	Black	B-1	F46	Front wiring harness
B112	4	Black	B-3		Diode (Front fog light)
B117	6	★	C-4		AT select lever
B118	2	★	B-4		CD player illumination light
B119	4	★	C-4		Front accessory power supply socket
B120	14	★	B-4		Radio
B121	1	Black	B-4		Audio bracket ground
B122	6	★	C-5		Joint connector
B125	1	Green	B-5	B126	Line end connector
B126	1	Green	B-5	B125	
B132	8	★	C-1		Headlight leveler switch
B134	22	★	B-4		ECM (Turbo model)
	34	★	C-4		ECM (Non-turbo model)
	34	★	C-4		ECM (STi model)
B135	28	★	B-4		ECM (Turbo model)
	35	★	B-4		ECM (Non-turbo model)
	35	★	B-4		ECM (STi model)
B136	17	★	B-4		ECM (Turbo model)
	35	★	B-4		ECM (Non-turbo model)
	35	★	B-4		ECM (STi model)

Bulkhead Wiring Harness (In Compartment)

WIRING SYSTEM

Connector				Connecting to	
No.	Pole	Color	Area	No.	Name
B137	24	★	C-4		ECM (Turbo model)
	31	★	B-4		ECM (Non-turbo model)
	31	★	B-4		ECM (STi model)
B141	26	Gray	B-2		Immobilizer control module
B142	2	★	B-3		Antenna (Immobilizer)
B152	12	★	C-1		Fuse & relay box (F/B)
B158	10	Gray	C-1		
B160	6	Gray	C-1		Front fog light switch
B168	10	★	C-4		Mode control panel
B169	6	★	C-4		Blower fan switch
B176	18	★	C-1		Keyless entry control module
B177	2	★	B-1		Wiper deicer
B183	1	★	D-1		Joint connector (Keyless entry)
B184	1	★	D-1		
B191	4	★	B-5		Wiper deicer relay
B192	4	★	B-5		Wiper deicer timer
B193	6	★	C-1		Wiper deicer switch
B198	5	★	C-5		Ground joint connector
B200	16	Blue	B-2	F74	Front wiring harness (Turbo model)
	20	Blue	B-2	F74	Front wiring harness (STi model)
B208	2	Black	B-5		Glove box light
B225	8	Black	C-2		Fuse (Relay block)
	5	Black	C-2		Ignition relay (Relay block)
	5	Black	C-2		Power window relay (Relay block)
	5	Black	C-2		Front fog light relay (Relay block)
	5	Black	C-2		Starter interlock relay (Relay block)
	5	Black	C-2		Mirror heater relay (Relay block)
	5	Black	C-2		HID relay (Relay block) (STi model)
B229	2	★	B-3		Parking diode
B230	6	★	D-5		Yaw rate sensor
B243	6	★	B-3		Security horn relay
B256	2	★	B-4		Evaporator sensor
B258	3	★	D-4		Driver's control center differential switch
B264	4	Red	C-1		ABS relay
B271	12	Blue	C-1		Fuse & relay box (F/B)
B275	4	★	B-4		Fan control amplifier
B280	16	Blue	C-3		Body Integrated unit
B281	20	Gray	C-3		

Connector				Connecting to	
No.	Pole	Color	Area	No.	Name
B282	16	Gray	C-4		Auto A/C control module
B283	20	Gray	C-4		
B286	4	★	B-5		Intercooler water spray timer
B288	4	Blue	C-1		Driver's control center differential relay
B292	3	★	D-5		ABS G sensor
B293	3	Gray	B-4		Air mix actuator
B294	6	★	C-1		Intercooler water spray switch
B300	6	★	C-2		Line end check connector
B304	2	★	B-5		ABS condenser
B307	2	Black	B-2		Shift lock diode
B309	4	Black	B-5		Electronic control throttle relay
B315	6	Black	B-3		Accelerator position sensor
B339	6	Blue	C-4		Auto/manual switch
B370	6	★	B-3		Ignition starter and steering lock assembly
B371	11	Black	C-2		Relay holder
B380	24	Gray	B-3		Driver's control center differential control module
B381	24	★	B-3		Driver's control center differential control module
B382	6	★	B-3		Yaw rate ground joint connector
B383	4	Blue	C-1		Seat heater switch LH

★: Non-colored

Engine Wiring Harness and Transmission Cord

WIRING SYSTEM

54.Engine Wiring Harness and Transmission Cord

A: LOCATION

1. TURBO MODEL

Connector				Connecting to	
No.	Pole	Color	Area	No.	Name
E1	10	Light gray	A-2	B20	Bulkhead wiring harness
E2	20	Black	B-4	F61	Front wiring harness
E3	16	Brown	B-4	F60	
E4	2	Black	B-3		Purge control solenoid valve
E5	2	Dark gray	A-2		Fuel injector No. 1
E6	2	Dark gray	A-2		Fuel injector No. 3
E7	3	Black	A-3		Idle air control solenoid valve
E8	3	Light gray	B-3		Engine coolant temperature sensor and thermometer
E10	2	Light gray	B-2		Crankshaft position sensor
E11	1	★	B-2		Oil pressure switch
E13	3	Black	A-3		Throttle position sensor
E14	2	Light gray	A-4		Knock sensor
E15	2	Light gray	B-4		Camshaft position sensor
E16	2	Dark gray	B-4		Fuel injector No. 2
E17	2	Dark gray	B-4		Fuel injector No. 4
E19	1	Light gray	B-3		Power steering oil pressure switch
E21	3	Black	A-3		Absolute manifold pressure sensor
E31	3	★	B-2		Ignition coil No. 1
E32	3	★	B-4		Ignition coil No. 2
E33	3	Black	A-3		Ignition coil No. 3
E34	3	Black	B-4		Ignition coil No. 4
E50	3	Black	B-3		Tumble generator valve position sensor LH
E51	2	Black	A-4		Tumble generator valve LH
E54	3	Black	A-3		Tumble generator valve position sensor RH
E55	2	Black	A-2		Tumble generator valve RH
E61	2	Dark gray	A-3		PCV diagnosis connector

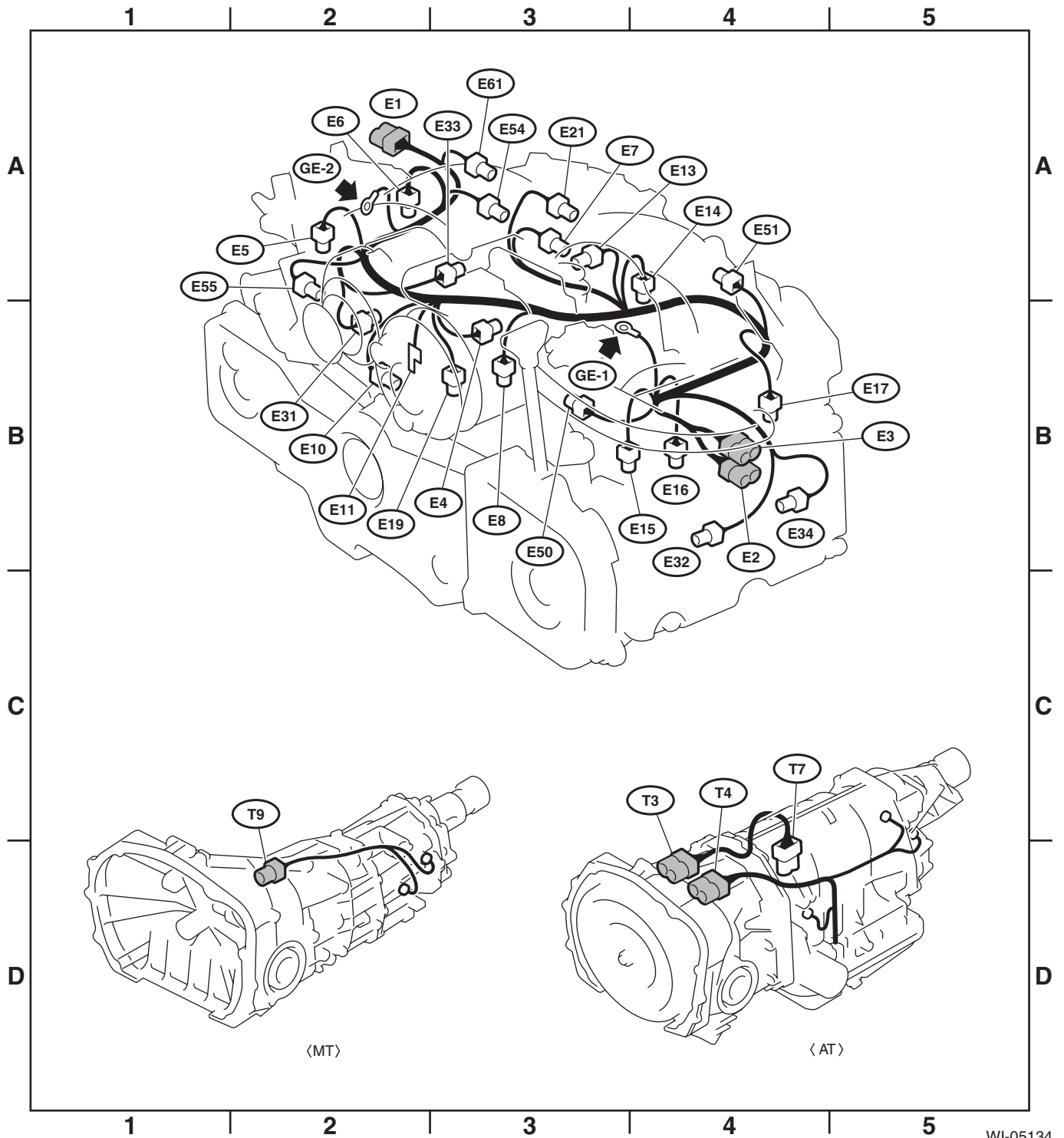
★: Non-colored

Connector				Connecting to	
No.	Pole	Color	Area	No.	Name
T3	12	Black	D-4	B12	Bulkhead wiring harness (AT model)
T4	20	Black	D-4	B11	
T7	12	★	D-4		Inhibitor switch (AT model)
T9	4	★	D-2	B128	Bulkhead wiring harness (MT model)

★: Non-colored

Engine Wiring Harness and Transmission Cord

WIRING SYSTEM



WI-05134

Engine Wiring Harness and Transmission Cord

WIRING SYSTEM

2. NON-TURBO MODEL

Connector				Connecting to	
No.	Pole	Color	Area	No.	Name
E1	16	Brown	A-4	B20	Bulkhead wiring harness
E4	2	Black	A-3		Purge control solenoid valve
E5	2	Dark gray	A-2		Fuel injector No. 1
E6	2	Dark gray	A-2		Fuel injector No. 3
E8	3	Light gray	A-3		Engine coolant temperature sensor and thermometer
E10	2	Light gray	B-3		Crankshaft position sensor
E11	1	★	B-2		Oil pressure switch
E12	4	Dark gray	A-2		Ignition coil and ignitor
E14	2	Brown	A-3		Knock sensor
E15	2	Gray	B-4		Camshaft position sensor
E16	2	Dark gray	B-4		Fuel injector No. 2
E17	2	Dark gray	B-4		Fuel injector No. 4
E18	6	Dark gray	A-3		EGR valve
E19	1	★	B-2		Power steering oil pressure switch
E21	3	Black	A-3		Pressure sensor
E57	6	Black	A-3		Electronic throttle control
E100	54	Black	A-4	B21	Bulkhead wiring harness

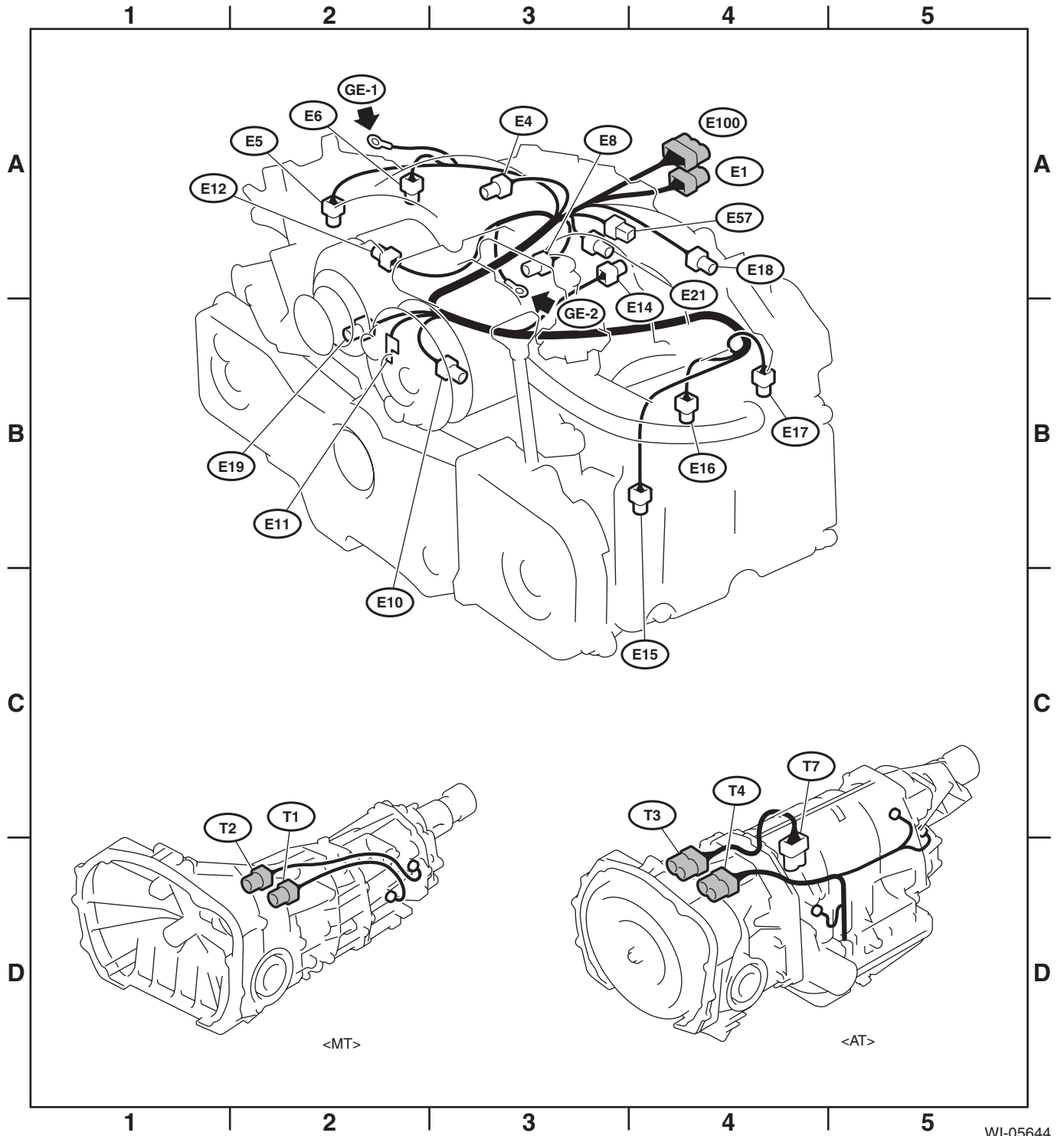
★: Non-colored

Connector				Connecting to	
No.	Pole	Color	Area	No.	Name
T1	2	Gray	D-2	B24	Bulkhead wiring harness (MT model)
T2	2	Brown	D-2	B25	
T3	12	Black	D-4	B12	Bulkhead wiring harness (AT model)
T4	20	Gray	D-4	B11	
T7	12	★	D-4		Inhibitor switch (AT model)

★: Non-colored

Engine Wiring Harness and Transmission Cord

WIRING SYSTEM



WI-05644

Engine Wiring Harness and Transmission Cord

WIRING SYSTEM

3. STi MODEL

Connector				Connecting to	
No.	Pole	Color	Area	No.	Name
E1	10	Light gray	A-2	B20	Bulkhead wiring harness
E2	20	Black	B-4	F61	Front wiring harness
E3	16	Brown	B-4	F60	
E4	2	Black	B-3		Purge control solenoid valve
E5	2	Light gray	A-2		Fuel injector No. 1
E6	2	Light gray	A-2		Fuel injector No. 3
E8	3	Light gray	B-3		Engine coolant temperature sensor and thermometer
E10	2	Light gray	B-2		Crankshaft position sensor
E11	1	★	B-2		Oil pressure switch
E14	2	Brown	A-4		Knock sensor
E16	2	Light gray	B-4		Fuel injector No. 2
E17	2	Light gray	B-4		Fuel injector No. 4
E19	1	★	B-3		Power steering oil pressure switch
E21	3	Black	A-3		Pressure sensor
E31	3	★	B-2		Ignition coil No. 1
E32	3	★	B-4		Ignition coil No. 2
E33	3	Black	A-3		Ignition coil No. 3
E34	3	Black	B-4		Ignition coil No. 4
E35	3	Light gray	A-4		AVCS camshaft position sensor LH
E36	3	Light gray	A-3		AVCS camshaft position sensor RH
E37	2	Blue	B-4		AVCS solenoid valve LH
E38	2	Blue	A-2		AVCS solenoid valve RH
E50	3	Black	B-3		Tumble generator valve angle sensor LH
E51	2	Black	A-4		Tumble generator valve LH
E54	3	Black	A-3		Tumble generator valve angle sensor RH
E55	2	Black	A-2		Tumble generator valve RH
E56	4	Dark gray	A-2	B317	Bulkhead wiring harness
E57	6	Black	A-3		Electronic throttle control
E61	2	Dark gray	A-3		PCV diagnosis connector

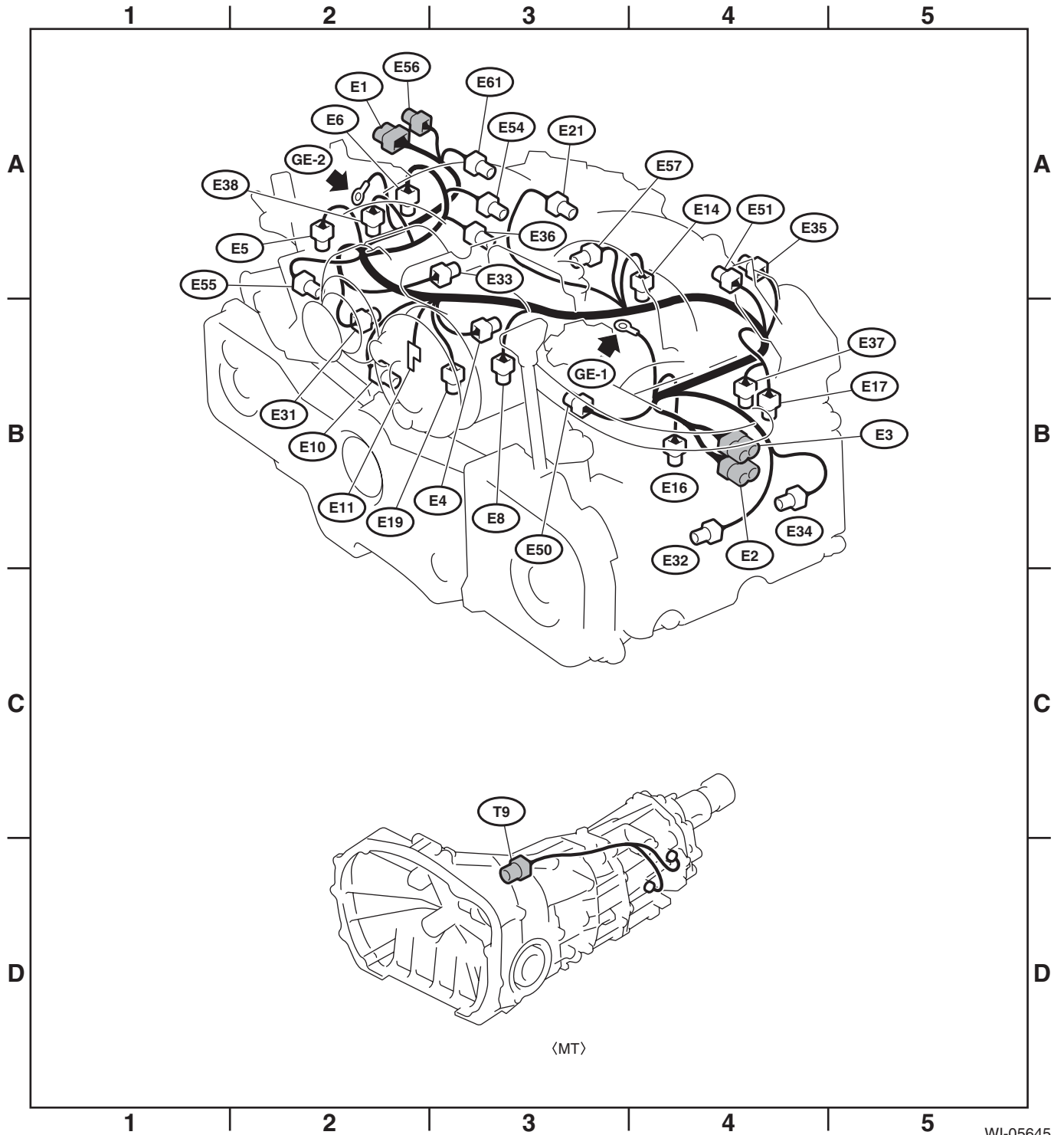
★: Non-colored

Connector				Connecting to	
No.	Pole	Color	Area	No.	Name
T9	6	★	D-3	B128	Bulkhead wiring harness

★: Non-colored

Engine Wiring Harness and Transmission Cord

WIRING SYSTEM



WI-05645

Instrument Panel Wiring Harness

WIRING SYSTEM

55. Instrument Panel Wiring Harness

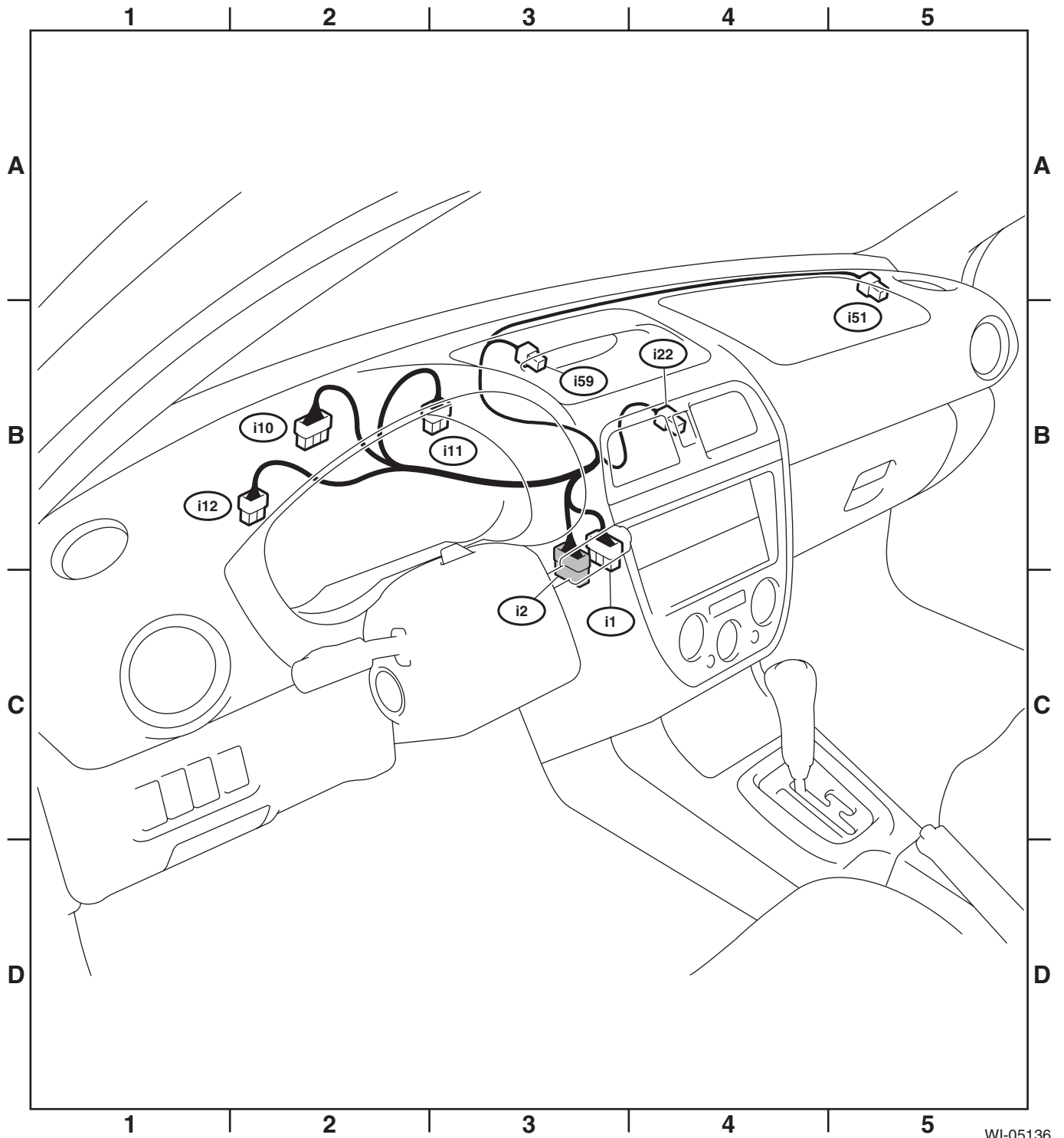
A: LOCATION

Connector				Connecting to	
No.	Pole	Color	Area	No.	Name
i1	28	Blue	B-3	B36	Bulkhead wiring harness
i2	25	★	B-3	B37	
i10	30	Green	B-2		Combination meter
i11	10	Green	B-3		
i12	14	Green	B-2		Combination meter (Except for STi model)
	16	Green	B-2		Combination meter (STi model)
i22	8	★	B-4		Hazard switch
i51	2	★	B-3		Sunload sensor
i59	4	★	B-3		Clock

★: Non-colored

Instrument Panel Wiring Harness

WIRING SYSTEM



WI-05136

Rear Wiring Harness

WIRING SYSTEM

56. Rear Wiring Harness

A: LOCATION

Connector				Connecting to	
No.	Pole	Color	Area	No.	Name
R1	8	★	B-2	B97	Bulkhead wiring harness
R2	12	★	B-1	B98	
R3	24	★	B-2	B99	
R4	1	Black	B-3		Parking brake switch
R8	2	★	C-4		Seat belt switch
R15	16	★	B-3	R57	Fuel tank cord
R22	3	★	B-5		Rear door switch LH
R41	4	Blue	B-2		Seat heater RH
R42	4	★	B-3		Seat heater switch RH (Sedan model)
	4	★	B-3		Seat heater switch RH (Wagon model)
R43	4	Blue	B-3		Seat heater switch LH
R44	4	Blue	C-4		Seat heater LH
R72	2	★	B-3		Rear ABS sensor RH
R73	2	★	B-5		Rear ABS sensor LH
R97	2	★	B-5		Antenna amp. (Sedan model)

★: Non-colored

Connector				Connecting to	
No.	Pole	Color	Area	No.	Name
B97	8	★	B-2	R1	Rear wiring harness
B98	12	★	B-1	R2	
B99	24	★	B-2	R3	
B265	8	★	A-2	D27	Rear door cord RH
B267	3	★	C-4		Front door switch LH
B268	3	★	B-2		Front door switch RH
B269	8	★	B-5	D21	Rear door cord LH

★: Non-colored

Connector				Connecting to	
No.	Pole	Color	Area	No.	Name
R50	6	★	B-1	B90	Bulkhead wiring harness
R52	3	★	A-3		Room light
R55	1	Gray	A-2		Sunroof
R56	2	★	A-3		Spot map light
R139	3	★	A-2		Compass mirror

★: Non-colored

Connector				Connecting to	
No.	Pole	Color	Area	No.	Name
R47	3	Black	B-4		Fuel tank pressure sensor
R57	16	★	B-3	R15	Rear wiring harness
R58	6	★	B-4		Fuel pump
R59	2	★	B-4		Fuel sub level sensor (Turbo model)
R68	2	Gray	B-4		Pressure control solenoid valve
R69	2	Black	A-4		Drain valve
R144	2	Black	B-4		Fuel tank sensor control valve

★: Non-colored

Rear Wiring Harness

WIRING SYSTEM

Connector				Connecting to	
No.	Pole	Color	Area	No.	Name
AB7	12	Yellow	C-2		Airbag control module
AB8	12	Yellow	C-2		Airbag control module
AB9	2	Yellow	C-4		Seat airbag module LH
AB10	4	Yellow	C-5		Side sensor LH
AB11	2	Yellow	B-2		Seat airbag module RH
AB12	4	Yellow	B-2		Side sensor RH
AB19	2	Black	C-4		Pretensioner LH
AB20	2	Black	B-3		Pretensioner RH

57. Door Cord

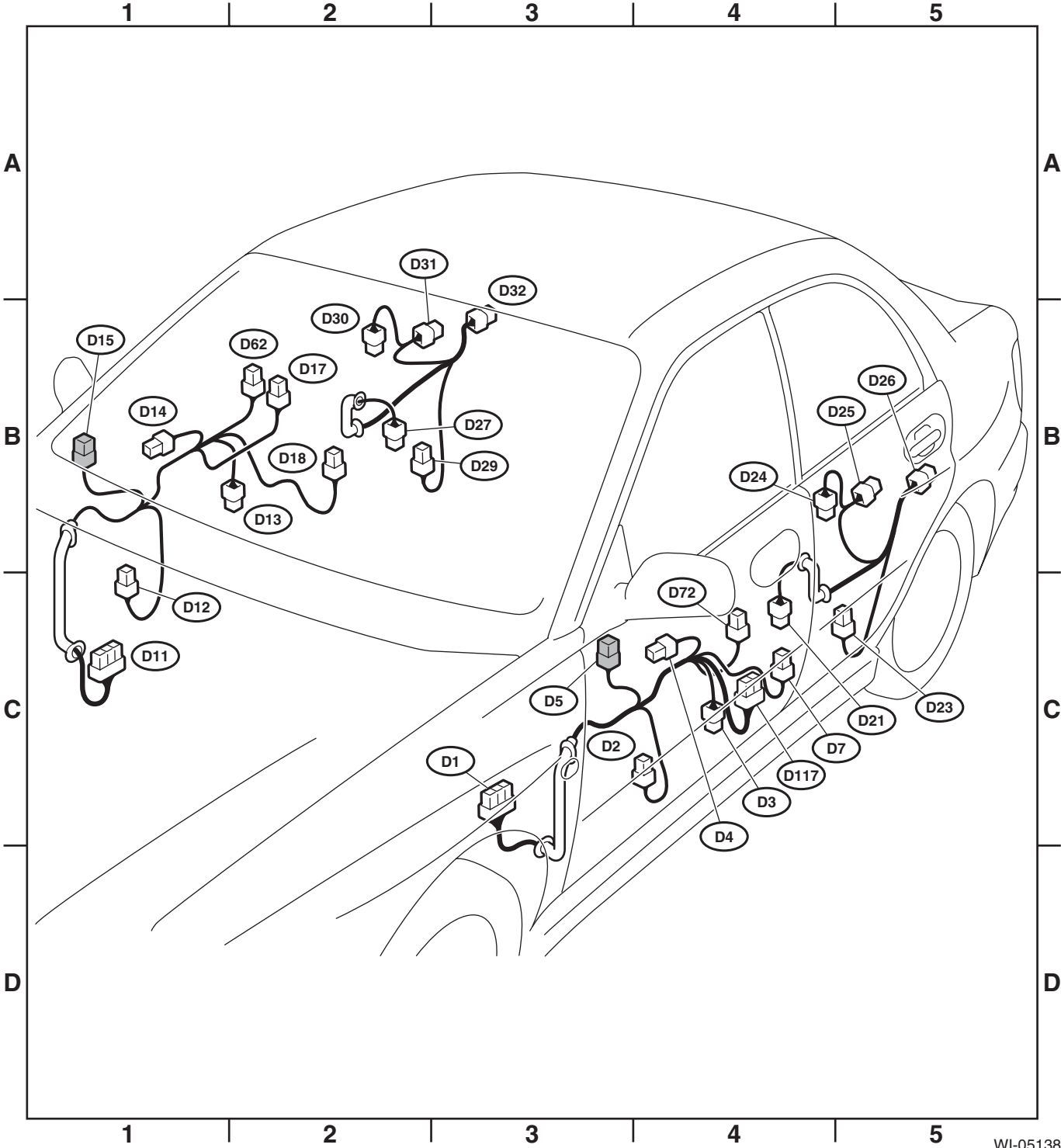
A: LOCATION

Connector				Connecting to	
No.	Pole	Color	Area	No.	Name
D1	25	★	C-3	B30	Bulkhead wiring harness
D2	2	★	C-4		Front door speaker LH
D3	2	Black	C-4		Front power window motor LH
D4	2	★	C-4		Front door tweeter LH
D5	6	★	C-3		Remote control mirror LH (Without mirror heater)
	8	Black	C-3		Remote control mirror LH (With mirror heater)
D7	16	★	C-4		Power window main switch
D11	25	★	C-1	B101	Bulkhead wiring harness
D12	2	★	C-1		Front door speaker RH
D13	2	Black	B-2		Front power window motor RH
D14	2	★	B-1		Front door tweeter RH
D15	6	★	B-1		Remote control mirror RH (Without mirror heater)
	8	Black	B-1		Remote control mirror RH (With mirror heater)
D17	8	Brown	B-2		Front power window sub switch RH
D18	4	★	B-2		Front door lock actuator RH
D21	8	★	C-4	B269	Bulkhead wiring harness
D23	2	★	C-5		Rear door speaker LH
D24	2	Black	B-4		Rear power window motor LH
D25	8	Brown	B-5		Rear power window sub switch LH
D26	4	★	B-5		Rear door lock actuator LH
D27	8	★	B-2	B265	Bulkhead wiring harness
D29	2	★	B-2		Rear door speaker RH
D30	2	Black	B-2		Rear power window motor RH
D31	8	Brown	B-2		Rear power window sub switch RH
D32	4	★	B-3		Rear door lock actuator RH
D62	5	★	B-2		Front door lock switch RH
D72	4	★	C-4		Front door lock actuator LH
D117	10	★	C-4		Remote control mirror switch

★: Non-colored

Door Cord

WIRING SYSTEM



WI-05138

58.Rear Wiring Harness and Trunk Lid Cord

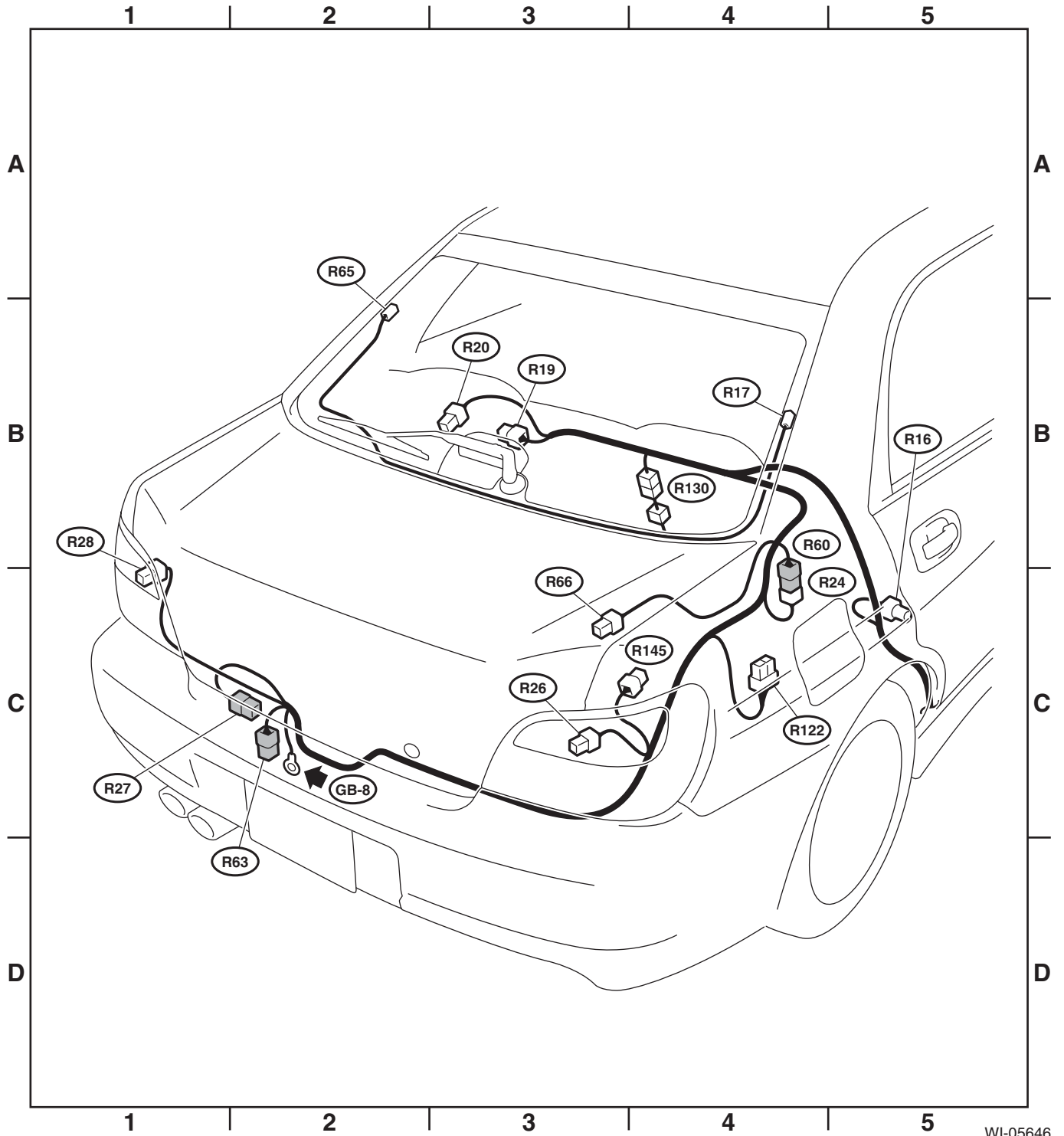
A: LOCATION

Connector				Connecting to	
No.	Pole	Color	Area	No.	Name
R16	3	★	C-5		Rear door switch RH
R17	1	Black	B-4		Rear defogger
R19	2	★	B-3		High-mounted stop light
R20	2	Black	B-3		Trunk room light
R24	2	★	C-4	R60	Trunk lid cord
R26	6	★	C-3		Rear combination light RH
R27	2	★	C-2		Trunk room light switch
R28	6	★	C-1		Rear combination light LH
R60	2	★	C-4	R24	Rear wiring harness
R63	2	Black	C-2		License plate light
R65	1	Black	B-2		Rear defogger
R66	2	★	C-3		High-mounted stop light (Rear spoiler)
R122	10	★	C-4		Fuel pump control module (Turbo model)
	6	★	C-4		Fuel pump control module (STi model)
R130	2	★	B-4		Rear defogger choke coil
R145	4	★	C-4		Intercooler water spray motor

★: Non-colored

Rear Wiring Harness and Trunk Lid Cord

WIRING SYSTEM



WI-05646

59. Rear Wiring Harness and Rear Gate Cord

A: LOCATION

Connector				Connecting to	
No.	Pole	Color	Area	No.	Name
R16	3	★	C-4		Rear door switch RH
R26	6	★	C-4		Rear combination light RH
R28	6	★	C-1		Rear combination light LH
R30	2	Black	C-3		Diode (Luggage room light)
R32	2	★	C-3		Accessory power supply socket
R37	2	★	C-4	D33	Rear gate cord
R38	4	★	C-4	D34	Rear gate cord
R39	4	Blue	C-4	D35	Rear gate cord
R63	2	Black	C-2		License plate light
R79	6	★	D-3		Trailer connector
R97	2	★	C-2		Antenna amp.
R116	8	★	C-4		Rear wiper intermittent module
R122	10	★	C-4		Fuel pump control module (Turbo model)
R141	2	★	C-3		Luggage room light

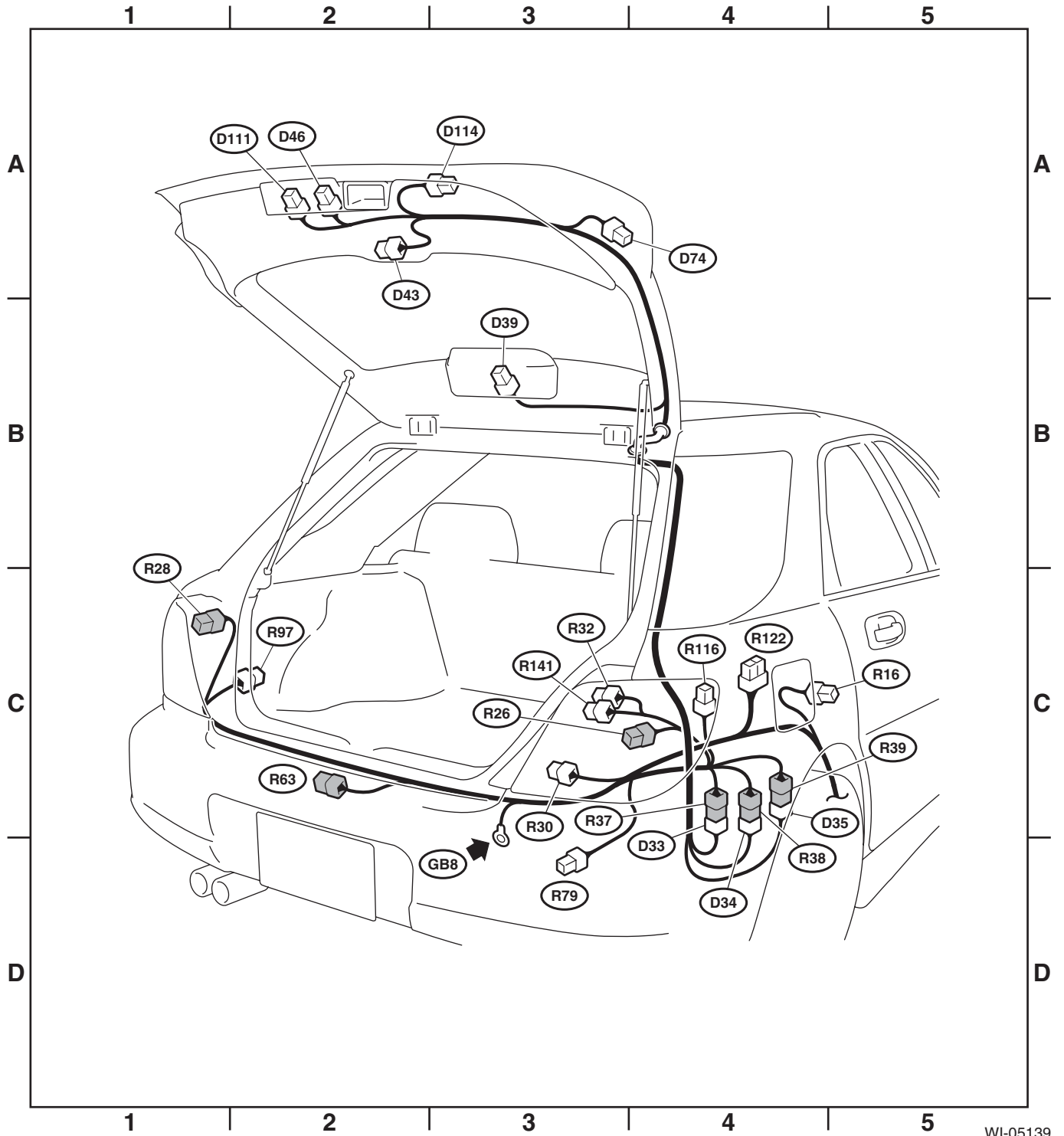
★: Non-colored

Connector				Connecting to	
No.	Pole	Color	Area	No.	Name
D33	2	★	C-4	R37	Rear wiring harness
D34	4	★	C-4	R38	Rear wiring harness
D35	4	Blue	C-4	R39	Rear wiring harness
D39	2	Black	B-3		High-mounted stop light
D43	4	★	A-2		Rear wiper motor
D46	2	Black	A-2		Rear gate latch switch
D74	2	★	A-3		Rear defogger choke coil
D111	4	★	A-2		Rear gate lock actuator
D114	2	Black	A-3		License plate light

★: Non-colored

Rear Wiring Harness and Rear Gate Cord

WIRING SYSTEM

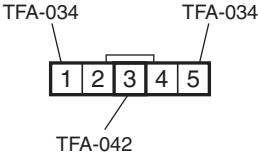
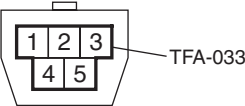
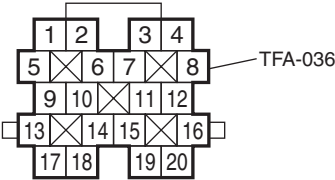
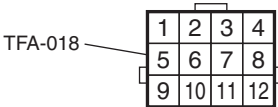


WI-05139

60. Harness Repair Kit

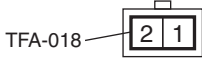

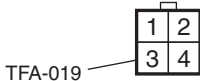
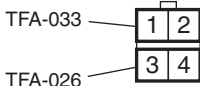
A: SPECIFICATION

1. ADAPTATION TABLE

Connector No.	Adaptive repair kit	Terminal No.	Harness repair kit No.
B3	 <p style="text-align: right;">WI-06087</p>	1, 2, 4, 5	TFA-034
		3	TFA-042
B8	 <p style="text-align: right;">WI-04676</p>	ALL	TFA-033
B11 (Except for STi model)	 <p style="text-align: right;">WI-04677</p>	ALL	TFA-036
B12 (Except for STi model)	 <p style="text-align: right;">WI-04679</p>	ALL	TFA-018

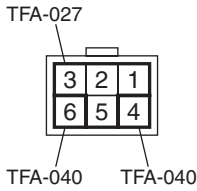
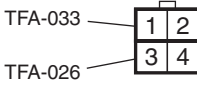
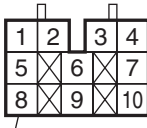
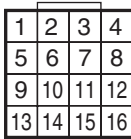
Harness Repair Kit

WIRING SYSTEM

Connector No.	Adaptive repair kit	Terminal No.	Harness repair kit No.
B15	 <p style="text-align: right;">WI-05450</p>	ALL	TFA-018
B17 (Except for turbo model)	 <p style="text-align: right;">WI-06088</p>	ALL	TFA-019
B17 (Turbo model)	 <p style="text-align: right;">WI-06089</p>	ALL	TFA-019
B18 (Turbo model)	 <p style="text-align: right;">WI-05451</p>	1, 2	TFA-033
		3, 4	TFA-026

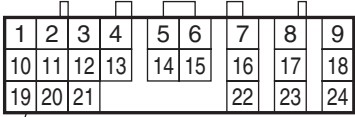
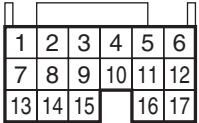
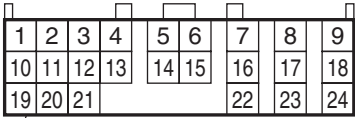
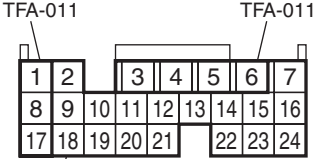
Harness Repair Kit

WIRING SYSTEM

Connector No.	Adaptive repair kit	Terminal No.	Harness repair kit No.
B18 (Non-turbo model)	 <p style="text-align: right;">WI-05452</p>	1 — 3, 5	TFA-027
		4, 6	TFA-040
B19	 <p style="text-align: right;">WI-04681</p>	1, 2	TFA-033
		3, 4	TFA-026
B20 (Except for non-turbo model)	 <p style="text-align: right;">WI-06091</p>	ALL	TFA-041
B20 (Non-turbo model)	 <p style="text-align: right;">WI-05453</p>	ALL	TFA-032

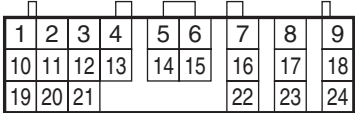



Harness Repair Kit

WIRING SYSTEM

Connector No.	Adaptive repair kit	Terminal No.	Harness repair kit No.
<p style="text-align: center;">B54 (Turbo model)</p>	 <p style="text-align: center;">TFA-011</p> <p style="text-align: right;">WI-05454</p>	<p style="text-align: center;">ALL</p>	<p style="text-align: center;">TFA-011</p>
<p style="text-align: center;">B54 (Non-turbo model)</p>	 <p style="text-align: center;">TFA-016</p> <p style="text-align: right;">WI-06092</p>	<p style="text-align: center;">ALL</p>	<p style="text-align: center;">TFA-016</p>
<p style="text-align: center;">B55 (Turbo model)</p>	 <p style="text-align: center;">TFA-011</p> <p style="text-align: right;">WI-05455</p>	<p style="text-align: center;">ALL</p>	<p style="text-align: center;">TFA-011</p>
<p style="text-align: center;">B55 (Non-turbo model)</p>	 <p style="text-align: center;">TFA-011</p> <p style="text-align: center;">TFA-011</p> <p style="text-align: center;">TFA-016</p> <p style="text-align: right;">WI-06093</p>	<p>1, 3 — 6, 8, 17</p> <hr/> <p>2, 7, 9 — 16, 18 — 24</p>	<p style="text-align: center;">TFA-011</p> <hr/> <p style="text-align: center;">TFA-016</p>

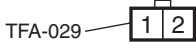

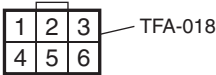
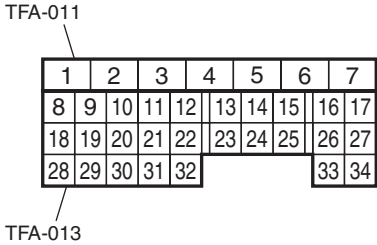
Harness Repair Kit

WIRING SYSTEM

Connector No.	Adaptive repair kit	Terminal No.	Harness repair kit No.
<p>B56 (Turbo model)</p>	 <p>TFA-011</p> <p>WI-05456</p>	<p>ALL</p>	<p>TFA-011</p>
<p>B56 (Non-turbo model)</p>	 <p>TFA-011</p> <p>TFA-011</p> <p>TFA-016</p> <p>WI-06094</p>	<p>1 — 9, 21, 31</p> <p>10 — 20, 22 — 30</p>	<p>TFA-011</p> <p>TFA-016</p>
<p>B84 (Turbo model)</p>	 <p>TFA-017</p> <p>TFA-017</p> <p>TFA-016</p> <p>TFA-011</p> <p>TFA-016</p> <p>WI-05481</p>	<p>19, 29</p> <p>10 — 18, 20, 22 — 28, 30</p> <p>1 — 9, 21, 31</p>	<p>TFA-011</p> <p>TFA-016</p> <p>TFA-017</p>
<p>B120</p>	 <p>TFA-012</p> <p>WI-05457</p>	<p>ALL</p>	<p>TFA-012</p>

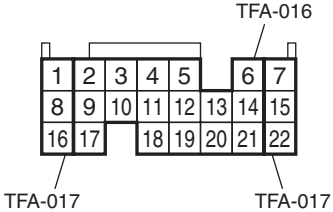
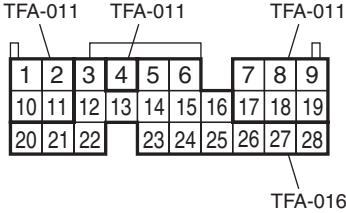
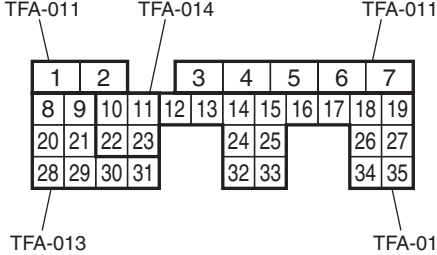
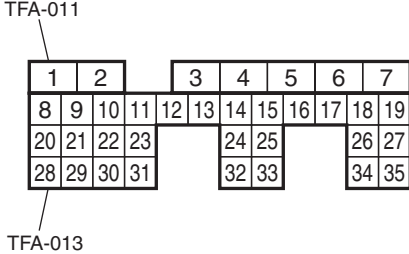
Harness Repair Kit

WIRING SYSTEM

Connector No.	Adaptive repair kit	Terminal No.	Harness repair kit No.
B127 (Except for non-turbo model)	 <p style="margin-top: 20px;">WI-06095</p>	ALL	TFA-029
B128 (Turbo model)	 <p style="margin-top: 20px;">WI-06096</p>	ALL	TFA-018
B128 (STi model)	 <p style="margin-top: 20px;">WI-05458</p>	ALL	TFA-018
B134 (Except for turbo model)	 <p style="margin-top: 20px;">WI-04694</p>	1 — 7 8 — 34	TFA-011 TFA-013

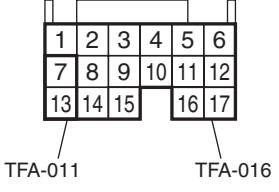
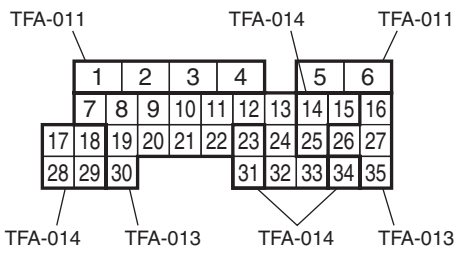
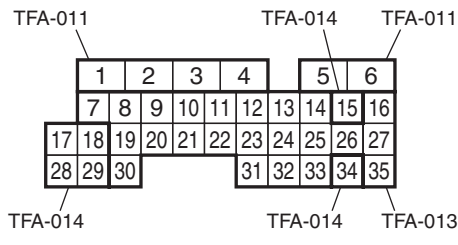
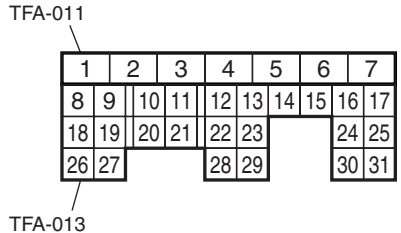
Harness Repair Kit

WIRING SYSTEM

Connector No.	Adaptive repair kit	Terminal No.	Harness repair kit No.
B134 (Turbo model)	 <p style="text-align: right;">WI-05459</p>	2 — 6, 9 — 14, 17 — 21	TFA-016
		1, 7, 8, 15, 16, 22	TFA-017
B135 (Turbo model)	 <p style="text-align: right;">WI-05460</p>	1, 2, 4, 7 — 11, 17 — 19	TFA-011
		3, 5, 6, 12 — 16, 20 — 28	TFA-016
B135 (Non-turbo model)	 <p style="text-align: right;">WI-05461</p>	1 — 7	TFA-011
		10, 11, 22, 23	TFA-014
		8, 9, 12 — 21, 24 — 35	TFA-013
B135 (STi model)	 <p style="text-align: right;">WI-05462</p>	1 — 7	TFA-011
		8 — 35	TFA-013

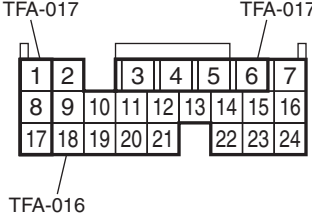
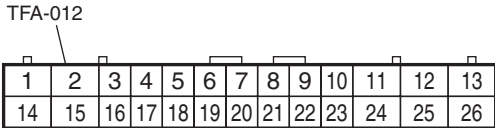
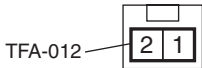

Harness Repair Kit

WIRING SYSTEM

Connector No.	Adaptive repair kit	Terminal No.	Harness repair kit No.
B136 (Turbo model)	 <p style="text-align: center;">WI-05463</p>	7, 13	TFA-011
		1 — 6, 8 — 12, 14 — 17	TFA-016
B136 (Non-turbo model)	 <p style="text-align: center;">WI-05464</p>	1 — 6	TFA-011
		7 — 13, 16, 19 — 22, 24, 26, 27, 30, 32, 33, 35	TFA-013
		14, 15, 17, 18, 23, 25, 28, 29, 31, 34	TFA-014
B136 (STi model)	 <p style="text-align: center;">WI-04696</p>	1 — 6	TFA-011
		7 — 14, 16, 19 — 27, 30 — 33, 35	TFA-013
		15, 17, 18, 28, 29, 34	TFA-014
B137 (Except for turbo model)	 <p style="text-align: center;">WI-04697</p>	1 — 7	TFA-011
		8 — 31	TFA-013

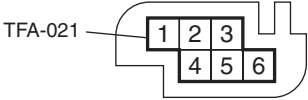


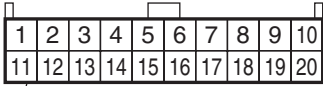
Harness Repair Kit

WIRING SYSTEM

Connector No.	Adaptive repair kit	Terminal No.	Harness repair kit No.
B137 (Turbo model)	 <p style="text-align: right;">WI-05465</p>	2, 7, 9 — 16, 18 — 24	TFA-016
		1, 3 — 6, 8, 17	TFA-017
B141 (STi model)	 <p style="text-align: right;">WI-05466</p>	ALL	TFA-012
B142 (STi model)	 <p style="text-align: right;">WI-05467</p>	ALL	TFA-012
B168 (Non-turbo model)	 <p style="text-align: right;">WI-05468</p>	ALL	TFA-012

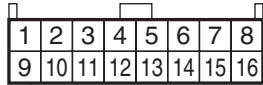
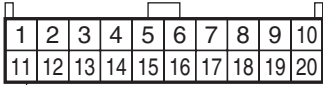

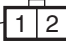
Harness Repair Kit

WIRING SYSTEM

Connector No.	Adaptive repair kit	Terminal No.	Harness repair kit No.
B230 (STi model)	 <p style="text-align: right;">WI-04700</p>	ALL	TFA-021
B279 (Turbo model)	 <p style="text-align: right;">WI-06099</p>	ALL	TFA-041
B279* (Turbo model) (Exhaust gas temperature sensor side)	 <p style="text-align: right;">WI-05484</p>	ALL	TFA-031
B281	 <p style="text-align: right;">WI-06100</p>	ALL	TFA-011


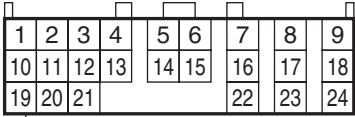
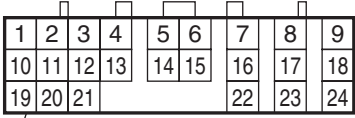
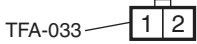
Harness Repair Kit

WIRING SYSTEM

Connector No.	Adaptive repair kit	Terminal No.	Harness repair kit No.
B282 (Except for non-turbo model)	 <p style="text-align: center;">TFA-011</p> <p style="text-align: right;">WI-05469</p>	ALL	TFA-011
B283 (Except for non-turbo model)	 <p style="text-align: center;">TFA-011</p> <p style="text-align: right;">WI-06100</p>	ALL	TFA-011
B292	 <p style="text-align: center;">TFA-012</p> <p style="text-align: right;">WI-06101</p>	ALL	TFA-012
B306	 <p style="text-align: center;">TFA-033</p> <p style="text-align: right;">WI-04717</p>	ALL	TFA-033

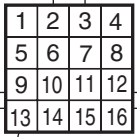
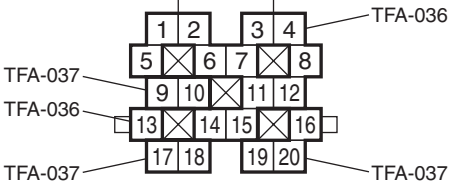
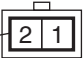
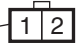
Harness Repair Kit

WIRING SYSTEM

Connector No.	Adaptive repair kit	Terminal No.	Harness repair kit No.
B317 (STi model)	 <p style="text-align: right;">WI-05470</p>	ALL	TFA-032
B380 (STi model)	 <p style="text-align: right;">WI-05471</p>	ALL	TFA-011
B381 (STi model)	 <p style="text-align: right;">WI-05483</p>	ALL	TFA-011
F21	 <p style="text-align: right;">WI-04717</p>	ALL	TFA-033


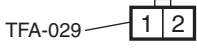
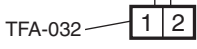
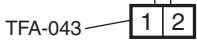
Harness Repair Kit

WIRING SYSTEM

Connector No.	Adaptive repair kit	Terminal No.	Harness repair kit No.
<p>F60 (Except for non-turbo model)</p>	 <p>TFA-032</p> <p>WI-06105</p>	<p>ALL</p>	<p>TFA-032</p>
<p>F61 (Except for non-turbo model)</p>	 <p>TFA-036</p> <p>TFA-037</p> <p>TFA-036</p> <p>TFA-037</p> <p>WI-05472</p>	<p>1 — 8, 11 — 15 9, 10, 16 — 20</p>	<p>TFA-036 TFA-037</p>
<p>F94</p>	 <p>TFA-018</p> <p>WI-05450</p>	<p>ALL</p>	<p>TFA-018</p>
<p>F102</p>	 <p>TFA-018</p> <p>WI-05473</p>	<p>ALL</p>	<p>TFA-018</p>





Harness Repair Kit

WIRING SYSTEM

Connector No.	Adaptive repair kit	Terminal No.	Harness repair kit No.
R47	<div style="text-align: center;">  <p>TFA-019</p> </div> <div style="text-align: right; margin-top: 100px;">WI-06088</div>	ALL	TFA-019
R59	<div style="text-align: center;">  <p>TFA-029</p> </div> <div style="text-align: right; margin-top: 100px;">WI-06095</div>	ALL	TFA-029
R68	<div style="text-align: center;">  <p>TFA-032</p> </div> <div style="text-align: right; margin-top: 100px;">WI-06110</div>	ALL	TFA-032
R69 (STi model)	<div style="text-align: center;">  <p>TFA-043</p> </div> <div style="text-align: right; margin-top: 100px;">WI-06102</div>	ALL	TFA-043

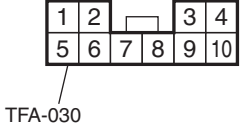
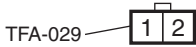
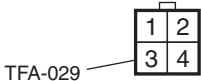
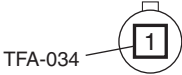
Harness Repair Kit

WIRING SYSTEM

Connector No.	Adaptive repair kit	Terminal No.	Harness repair kit No.
R72 (Except for STi model)	 <p style="text-align: right;">WI-04707</p>	ALL	TFA-012
R72 (STi model)	 <p style="text-align: right;">WI-04683</p>	ALL	TFA-018
R73 (Except for STi model)	 <p style="text-align: right;">WI-04707</p>	ALL	TFA-012
R73 (STi model)	 <p style="text-align: right;">WI-04683</p>	ALL	TFA-018

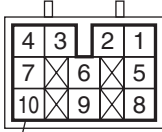
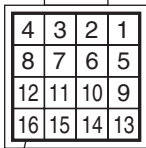
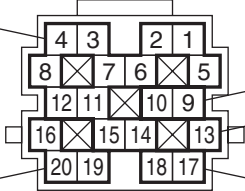
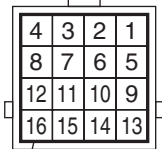
Harness Repair Kit

WIRING SYSTEM

Connector No.	Adaptive repair kit	Terminal No.	Harness repair kit No.
R122 (Except for non-turbo model)	 <p style="text-align: center;">TFA-030</p> <p style="text-align: right;">WI-06111</p>	ALL	TFA-030
R144	 <p style="text-align: center;">TFA-029</p> <p style="text-align: right;">WI-06095</p>	ALL	TFA-029
R145 (STi model)	 <p style="text-align: center;">TFA-029</p> <p style="text-align: right;">WI-05474</p>	ALL	TFA-029
R148 (STi model)	 <p style="text-align: center;">TFA-034</p> <p style="text-align: right;">WI-05475</p>	ALL	TFA-034

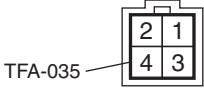
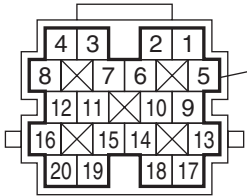
Harness Repair Kit

WIRING SYSTEM

Connector No.	Adaptive repair kit	Terminal No.	Harness repair kit No.
<p>E1 (Except for non-turbo model)</p>	 <p>TFA-031</p> <p>WI-05476</p>	<p>ALL</p>	<p>TFA-031</p>
<p>E1 (Non-turbo model)</p>	 <p>TFA-035</p> <p>WI-05477</p>	<p>ALL</p>	<p>TFA-035</p>
<p>E2 (Except for non-turbo model)</p>	 <p>TFA-038</p> <p>TFA-039</p> <p>TFA-038</p> <p>TFA-039</p> <p>TFA-038</p> <p>TFA-039</p> <p>WI-05478</p>	<p>1 — 8, 11 — 15</p>	<p>TFA-038</p>
		<p>9, 10, 16 — 20</p>	<p>TFA-039</p>
<p>E3 (Except for non-turbo model)</p>	 <p>TFA-035</p> <p>WI-05479</p>	<p>ALL</p>	<p>TFA-035</p>

Harness Repair Kit

WIRING SYSTEM

Connector No.	Adaptive repair kit	Terminal No.	Harness repair kit No.
<p style="text-align: center;">E56 (STi model)</p>	<div style="text-align: center;">  <p>TFA-035</p> </div> <p style="text-align: right;">WI-05480</p>	<p style="text-align: center;">ALL</p>	<p style="text-align: center;">TFA-035</p>
<p style="text-align: center;">T4 (Except for STi model)</p>	<div style="text-align: center;">  <p>TFA-038</p> </div> <p style="text-align: right;">WI-05482</p>	<p style="text-align: center;">ALL</p>	<p style="text-align: center;">TFA-038</p>