

IDENTIFICATION

Identification

IDENTIFICATION

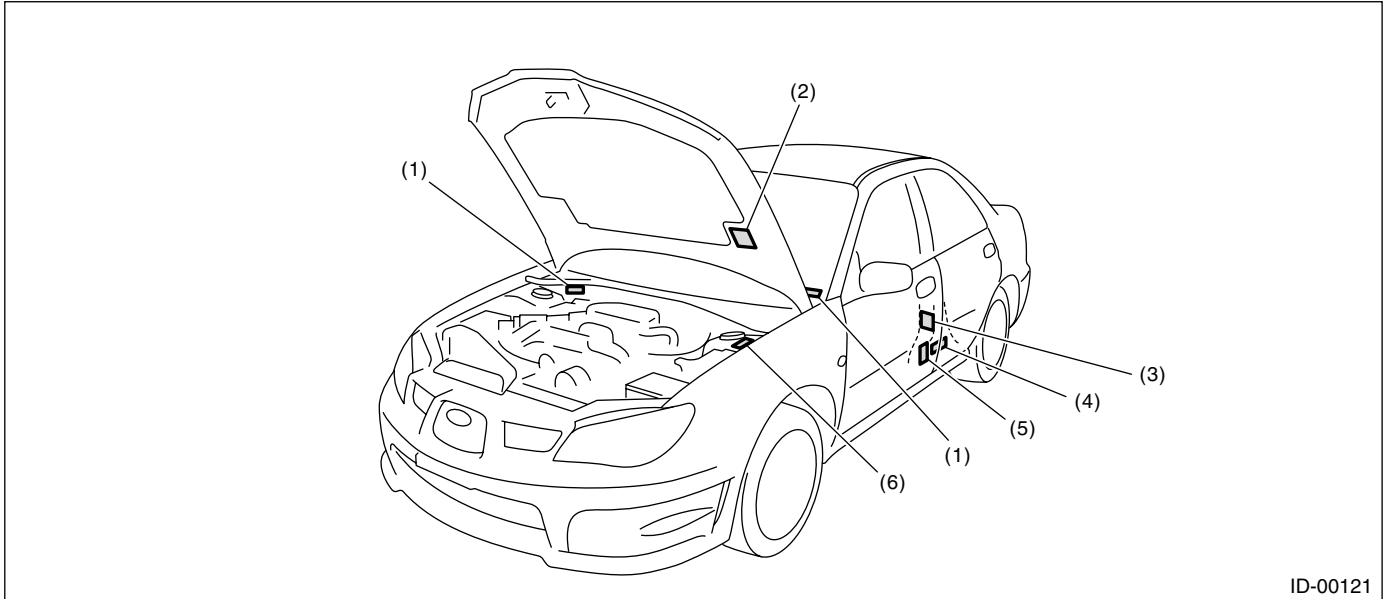
1. Identification

A: IDENTIFICATION

1. IDENTIFICATION NUMBER AND LABEL LOCATIONS

The VIN (Vehicle Identification Numbers) is used to classify the vehicle.

• POSITIONING OF THE PLATE LABEL FOR IDENTIFICATION



ID-00121

(1) Vehicle identification number (VIN)

(3) Tire inflation pressure label

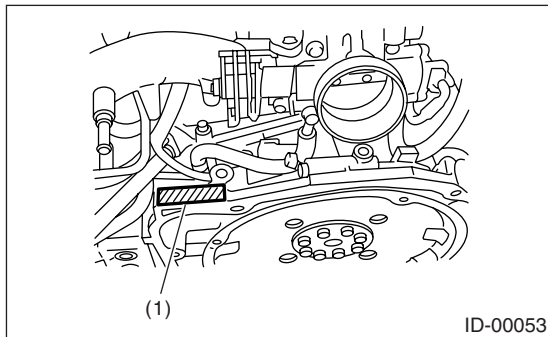
(5) Bar code label (USA model)

(2) Emission control label

(4) Certification plate

(6) Model number plate

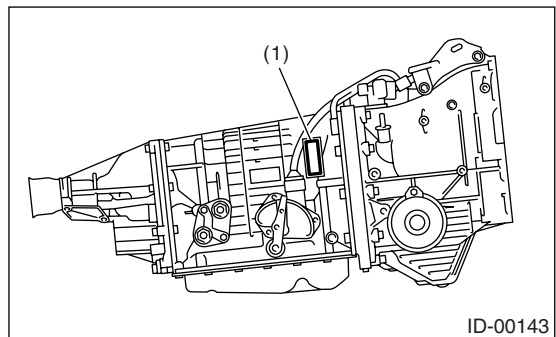
• ENGINE



ID-00053

(1) Engine serial number

• AUTOMATIC TRANSMISSION



ID-00143

(1) AT model label

Identification

IDENTIFICATION

2. MEANING OF V.I.N.

The meaning of the VIN is as follows:

• **]JF1GG676X6G800001[**

The starting and ending brackets (] [) are stop marks.

Digits	Code	Meaning	Details
1 to 3	JF1	Manufacturer body area	JF1: Passenger car, FHI made
4	G	Car line	IMPREZA
5	G	Body type	D: 4 Door Sedan G: Wagon
6	6	Displacement	6: 2.5 L AWD 7: 2.5 L AWD Turbo
7	7	Grade	7: 2.5i 8: OUTBACK 9: WRX 0: STI
8	6	Restraint	6: Manual belts, dual airbag, side airbag
9	X	Check digit	0 to 9 & X
10	6	Model year	6: 2006MY 7: 2007MY 8: 2008MY
11	G	Transmission type	G: Full-time AWD 5-speed MT single range H: Full-time AWD 4-speed AT L: Full-time AWD 6-speed MT single range
12 to 17	800001	Serial number	500001 or more: 4-Door Sedan 800001 or more: Wagon

3. MODEL NUMBER PLATE

The model number plate indicates: the applied model, the option code, the trim code, the engine type, the transmission type, and the exterior color code. This information is helpful when placing orders for parts.

GGEY6J

Digits	Code	Meaning	Details
1	G	Series	IMPREZA
2	G	Body style	D: 4 Door Sedan G: Wagon
3	E	Engine displacement Drive system Suspension system	E: 2.5 L AWD F: 2.5 L AWD High power turbo G: 2.5 L AWD Turbo
4	E	Model year	E: 2006MY
5	Y	Destination	Y: Left-hand drive model for North America and Canada
6	6	Grade	6: 2.5i 7: OUTBACK 8: WRX E: STI
7	J	Transmission, fuel feed system	R: SOHC MPI 4-speed AT P: DOHC B MPI 4-speed AT J: SOHC MPI 5-speed MT AWD D: DOHC B MPI 5-speed MT AWD H: DOHC B MPI 6-speed MT AWD

The engine and transmission type are as follows:

Identification

IDENTIFICATION

• Engine

EJ253BE8AB

Digits	Code	Meaning	Details
1 and 2	EJ	Engine type	EJ: 4 cylinders
3 and 4	25	Displacement	25: 2.5 L
5	3	Fuel feed system	3: MPI-NA (SOHC) 5: MPI Turbo 7: MPI High power turbo
6	B	Exhaust regulations	B: North America (FED, CAL)
7	E	Transmission	E: 5MT G: 6MT P: AT S: 5MT
8	8	Minor change	8: "8" is impressed on this vehicle.
9 to 10	AB	Detailed specifications	Used when ordering parts. See the parts catalog for details.

• Transmission

TY754VC7AA

Digits	Code	Meaning	Details
1	T	Transmission	T: Transmission
2	Y	Transmission type	Y: Full-time AWD MT center differential V: Full-time AWD AT center differential Z: Full-time AWD AT MP-T
3 and 4	75	Classification	75: 5MT 85: 6MT 1B: AT (direct control system)
5	4	Series	MT 4: 5MT 6: 6MT AT 4: AT
6	V	Transmission specifications	V: Full-time AWD 5-speed MT with viscous coupling center differential single range W: Full-time AWD single range 6-speed MT L: Full-time AWD 4-speed AT with MP-T (direct control system) M: Full-time AWD 4-speed AT with VTD (direct control system)
7	C	Engine type	C: 925 SOHC W: 925 DOHC Turbo
8 to 10	7AA	Detailed specifications	Used when ordering parts. See the parts catalog for details.

• Rear differential

EG

Code	Reduction gear ratio	LSD
EG	3.900	No
EH	4.111	No
ER	3.700	Viscous
P1	3.900	Viscous
HX	3.545	Mechanical

• Option code

U4FL

Digits	Code	Meaning	Details
1 and 2	U4	Destination	U4: USA (FED, CAL) CO: Canada
3 and 4	FL	Main option of vehicle	—

Identification

IDENTIFICATION
