

ENGINE (DIAGNOSTICS)

Basic Diagnostic Procedure

ENGINE (DIAGNOSTICS)

1. Basic Diagnostic Procedure

A: PROCEDURE

1. ENGINE

Step	Check	Yes	No
1 CHECK ENGINE START FAILURE. 1) Ask the customer when and how the trouble occurred using the check list for interview. <Ref. to EN(H4SO)(diag)-3, CHECK, Check List for Interview.> 2) Start the engine.	Does the engine start?	Go to step 2.	Inspection using "Diagnostics for Engine Start Failure". <Ref. to EN(H4SO)(diag)-58, Diagnostics for Engine Starting Failure.>
2 CHECK ILLUMINATION OF MALFUNCTION INDICATOR LIGHT.	Does malfunction indicator light illuminate?	Go to step 3.	Inspection using "General Diagnostics Table". <Ref. to EN(H4SO)(diag)-342, INSPECTION, General Diagnostic Table.>
3 CHECK INDICATION OF DTC ON DISPLAY. 1) Turn the ignition switch to OFF. 2) Connect the Subaru Select Monitor or the general scan tool to data link connector. 3) Turn the ignition switch to ON and the Subaru Select Monitor or general scan tool power switch to ON. 4) Read the DTC on the Subaru Select Monitor or general scan tool.	Does the Subaru Select Monitor or general scan tool indicate DTC?	Record the DTC. Repair the trouble cause. <Ref. to EN(H4SO)(diag)-73, List of Diagnostic Trouble Code (DTC).> Go to step 4.	Repair the related parts. NOTE: If DTC is not shown on display although the malfunction indicator light illuminates, perform diagnostics of malfunction indicator light circuit or combination meter. <Ref. to EN(H4SO)(diag)-49, Malfunction Indicator Light.>
4 PERFORM THE DIAGNOSIS. 1) Perform the clear memory mode. <Ref. to EN(H4SO)(diag)-46, Clear Memory Mode.> 2) Perform the inspection mode. <Ref. to EN(H4SO)(diag)-36, Inspection Mode.>	Does the Subaru Select Monitor or general scan tool indicate DTC?	Inspect using "Diagnostics Procedure with Diagnostic Trouble Code (DTC)". <Ref. to EN(H4SO)(diag)-80, Diagnostic Procedure with Diagnostic Trouble Code (DTC).>	Complete the diagnosis.

Check List for Interview

ENGINE (DIAGNOSTICS)

2. Check List for Interview

A: CHECK

1. CHECK LIST No. 1

Check the following items when problem has occurred.

NOTE:

Use copies of this page for interviewing customers.

Customer's name		Engine No.	
Date of sale		Fuel brand	
Date of repair		Odometer reading	km
VIN No.			miles
Weather	<input type="checkbox"/> Fine <input type="checkbox"/> Cloudy <input type="checkbox"/> Rainy <input type="checkbox"/> Snowy <input type="checkbox"/> Various/Others:		
Outdoor temperature	°C (°F)		
	<input type="checkbox"/> Hot <input type="checkbox"/> Warm <input type="checkbox"/> Cool <input type="checkbox"/> Cold		
Place	<input type="checkbox"/> Highway <input type="checkbox"/> Suburbs <input type="checkbox"/> Inner city <input type="checkbox"/> Uphill <input type="checkbox"/> Downhill <input type="checkbox"/> Rough road <input type="checkbox"/> Others:		
Engine temperature	<input type="checkbox"/> Cold <input type="checkbox"/> Warming-up <input type="checkbox"/> After warming-up <input type="checkbox"/> Any temperature <input type="checkbox"/> Others:		
Engine speed	rpm		
Vehicle speed	MPH		
Driving conditions	<input type="checkbox"/> Not affected <input type="checkbox"/> At starting <input type="checkbox"/> While idling <input type="checkbox"/> At racing <input type="checkbox"/> While accelerating <input type="checkbox"/> While cruising <input type="checkbox"/> While decelerating <input type="checkbox"/> While turning (RH/LH)		
Headlight	<input type="checkbox"/> ON / <input type="checkbox"/> OFF	Rear defogger	<input type="checkbox"/> ON / <input type="checkbox"/> OFF
Blower	<input type="checkbox"/> ON / <input type="checkbox"/> OFF	Radio	<input type="checkbox"/> ON / <input type="checkbox"/> OFF
A/C compressor	<input type="checkbox"/> ON / <input type="checkbox"/> OFF	CD/Cassette	<input type="checkbox"/> ON / <input type="checkbox"/> OFF
Radiator fan	<input type="checkbox"/> ON / <input type="checkbox"/> OFF	Car phone	<input type="checkbox"/> ON / <input type="checkbox"/> OFF
Front wiper	<input type="checkbox"/> ON / <input type="checkbox"/> OFF	CB	<input type="checkbox"/> ON / <input type="checkbox"/> OFF
Rear wiper	<input type="checkbox"/> ON / <input type="checkbox"/> OFF		

Check List for Interview

ENGINE (DIAGNOSTICS)

2. CHECK LIST No. 2

Check the following items about the vehicle's state when malfunction indicator light turns on.

NOTE:

Use copies of this page for interviewing customers.

a) Other warning lights or indicators turn on. <input type="checkbox"/> Yes / <input type="checkbox"/> No
<input type="checkbox"/> Low fuel warning light <input type="checkbox"/> Charge indicator light <input type="checkbox"/> AT diagnostics indicator light <input type="checkbox"/> ABS warning light <input type="checkbox"/> Engine oil pressure warning light
b) Fuel level
<ul style="list-style-type: none">• Lack of gasoline: <input type="checkbox"/> Yes / <input type="checkbox"/> No• Indicator position of fuel gauge:• Experienced running out of fuel?: <input type="checkbox"/> Yes / <input type="checkbox"/> No
c) Intentional connecting or disconnecting of harness connectors or spark plug cords: <input type="checkbox"/> Yes / <input type="checkbox"/> No
<ul style="list-style-type: none">• What:
d) Intentional connecting or disconnecting of hoses: <input type="checkbox"/> Yes / <input type="checkbox"/> No
<ul style="list-style-type: none">• What:
e) Installing of parts other than genuine parts: <input type="checkbox"/> Yes / <input type="checkbox"/> No
<ul style="list-style-type: none">• What:• Where:
f) Occurrence of noise: <input type="checkbox"/> Yes / <input type="checkbox"/> No
<ul style="list-style-type: none">• From where:• What kind:
g) Occurrence of smell: <input type="checkbox"/> Yes / <input type="checkbox"/> No
<ul style="list-style-type: none">• From where:• What kind:
h) Intrusion of water into engine compartment or passenger compartment: <input type="checkbox"/> Yes / <input type="checkbox"/> No
i) Troubles occurred
<input type="checkbox"/> Engine does not start. <input type="checkbox"/> Engine stalls during idling. <input type="checkbox"/> Engine stalls while driving. <input type="checkbox"/> Engine speed decreases. <input type="checkbox"/> Engine speed does not decrease. <input type="checkbox"/> Rough idling <input type="checkbox"/> Poor acceleration <input type="checkbox"/> Back fire <input type="checkbox"/> After fire <input type="checkbox"/> No shift <input type="checkbox"/> Excessive shift shock

3. General Description

A: CAUTION

1) Airbag system wiring harness is routed near the ECM, main relay and fuel pump relay.

CAUTION:

- Airbag system connectors are colored yellow. Do not use electrical test equipment on these circuit.
- Be careful not to damage the airbag system wiring harness when servicing the ECM, TCM, main relay and fuel pump relay.

2) Never connect the battery in reverse polarity.

- The ECM will be destroyed instantly.
- The fuel injector and other part will be damaged.

3) Do not disconnect the battery terminals while the engine is running.

A large counter electromotive force will be generated in the generator, and this voltage may damage electronic parts such as ECM, etc.

4) Before disconnecting the connectors of each sensor and the ECM, be sure to turn OFF the ignition switch.

5) Poor contact has been identified as a primary cause of this problem. To measure the voltage and/or resistance of individual sensors or all electrical control modules at the harness side connector, use a tapered pin with a diameter of less than 0.64 mm (0.025 in). Do not insert the pin more than 5 mm (0.20 in) into the part.

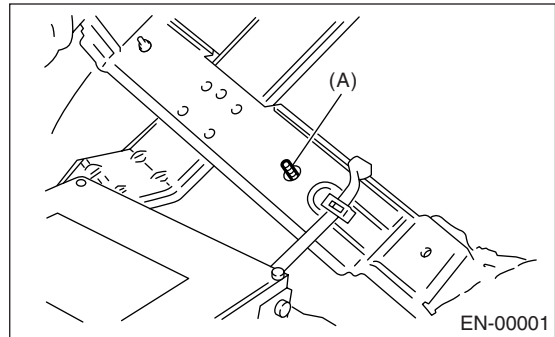
6) Before removing the ECM from the located position, disconnect two cables on battery. Otherwise, the ECM may be damaged.

CAUTION:

When replacing the ECM, be careful not to use the wrong spec. ECM to avoid any damage on fuel injection system.

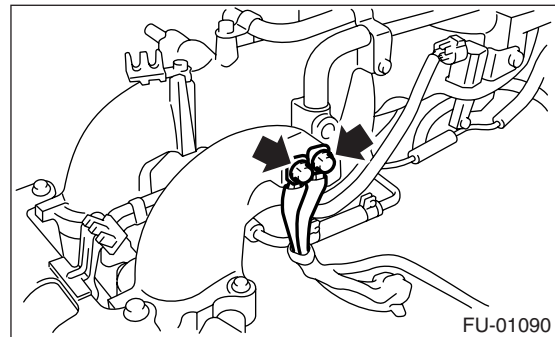
7) The connectors to each sensor in the engine compartment and the harness connectors on the engine side and body side are all designed to be waterproof. However, it is still necessary to take care not to allow water to get into the connectors when washing the vehicle, or when servicing the vehicle on a rainy day.

8) Use ECM mounting stud bolts at the body side grounding point when measuring voltage and resistance inside the passenger compartment.



(A) Stud bolt

9) Use engine grounding terminal or engine proper as the grounding point to the body when measuring voltage and resistance in the engine compartment.



10) Every MFI-related part is a precision part. Do not drop them.

11) Observe the following cautions when installing a radio in MFI equipped models.

CAUTION:

- The antenna must be kept as far apart as possible from the control unit. (The ECM is located under the steering column, inside of the instrument panel lower trim panel.)
- The antenna feeder must be placed as far apart as possible from the ECM and MFI harness.
- Carefully adjust the antenna for correct matching.
- When mounting a large power type radio, pay special attention to the three items above mentioned.
- Incorrect installation of the radio may affect the operation of the ECM.

12) Before disconnecting the fuel hose, release the fuel pressure. <Ref. to FU(H4SO)-42, RELEASING OF FUEL PRESSURE, PROCEDURE, Fuel.>

General Description

ENGINE (DIAGNOSTICS)

13) On models with ABS, when performing driving test in jacked-up or lifted-up position, sometimes the warning light may be lit, but this is not a malfunction of the system. The reason for this is the speed difference between the front and rear wheels. After diagnosis of engine control system, perform the ABS memory clearance procedure of self-diagnosis system.

B: INSPECTION

Before performing diagnostics, check the following items which might affect engine problems:

1. BATTERY

1) Measure battery voltage and specific gravity of electrolyte.

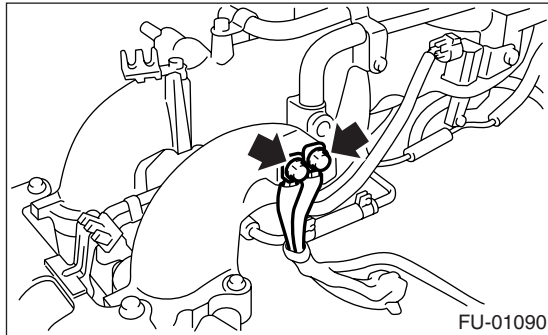
Standard voltage: 12 V

Specific gravity: Above 1.260

2) Check the condition of the main and other fuses, and harnesses and connectors. Also check for proper grounding.

2. ENGINE GROUNDING

Make sure the engine grounding terminal is properly connected to the engine.



C: NOTE

1. DESCRIPTION

- The on-board diagnostics (OBD) system detects and indicates a fault in various inputs and outputs of the complex electronic control. Malfunction indicator light in the combination meter indicates occurrence of a fault or trouble.
- Further, against such a failure or sensors as may disable the drive, the fail-safe function is provided to ensure the minimal driveability.
- The OBD system incorporated with the vehicles within this engine family complies with OBD-II Regulations. The OBD system monitors the components and the system malfunction listed in Engine Section which affects on emissions.

- When the system decides that a malfunction occurs, malfunction indicator light illuminates. At the same time of the malfunction indicator light illumination or blinking, a DTC and a freeze frame engine conditions are stored into on-board computer.
- The OBD system stores freeze frame engine condition data (engine load, engine coolant temperature, fuel trim, engine speed and vehicle speed, etc.) into on-board computer when it detects a malfunction first.
- If the OBD system detects the various malfunctions including the fault of fuel trim or misfire, the OBD system first stores freeze frame engine conditions about the fuel trim or misfire.
- When the malfunction does not occur again for three consecutive driving cycles, malfunction indicator light is turned off, but DTC remains at on-board computer.
- When troubleshooting the vehicle which complies with OBD-II Regulations, connect the Subaru Select Monitor or general scan tool to the vehicle.

2. ENGINE AND EMISSION CONTROL SYSTEM

- The Multipoint Fuel Injection (MFI) system is a system that supplies the optimum air-fuel mixture to the engine for all the various operating conditions through the use of the latest electronic technology.

With this system fuel, which is pressurized at a constant pressure, is injected into the intake air passage of the cylinder head. The injection quantity of fuel is controlled by an intermittent injection system where the electro-magnetic injection valve (fuel injector) opens only for a short period of time, depending on the quantity of air required for one cycle of operation. In actual operation, the injection quantity is determined by the duration of an electric pulse applied to the fuel injector and this permits simple, yet highly precise metering of the fuel.

- Further, all the operating conditions of the engine are converted into electric signals, and this results in additional features of the system, such as large improved adaptability, easier addition of compensating element, etc.

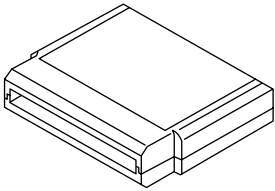

The MFI system also has the following features:

- Reduced emission of harmful exhaust gases.
- Reduction in fuel consumption.
- Increased engine output.
- Superior acceleration and deceleration.
- Superior startability and warm-up performance in cold weather since compensation is made for coolant and intake air temperature.

General Description

ENGINE (DIAGNOSTICS)

D: PREPARATION TOOL

ILLUSTRATION	TOOL NUMBER	DESCRIPTION	REMARKS
 ST18482AA010	18482AA010 (Newly adopted tool)	CARTRIDGE	Troubleshooting for electrical systems.
 ST22771AA030	22771AA030	SUBARU SELECT MONITOR KIT	Troubleshooting for electrical systems.

Electrical Component Location

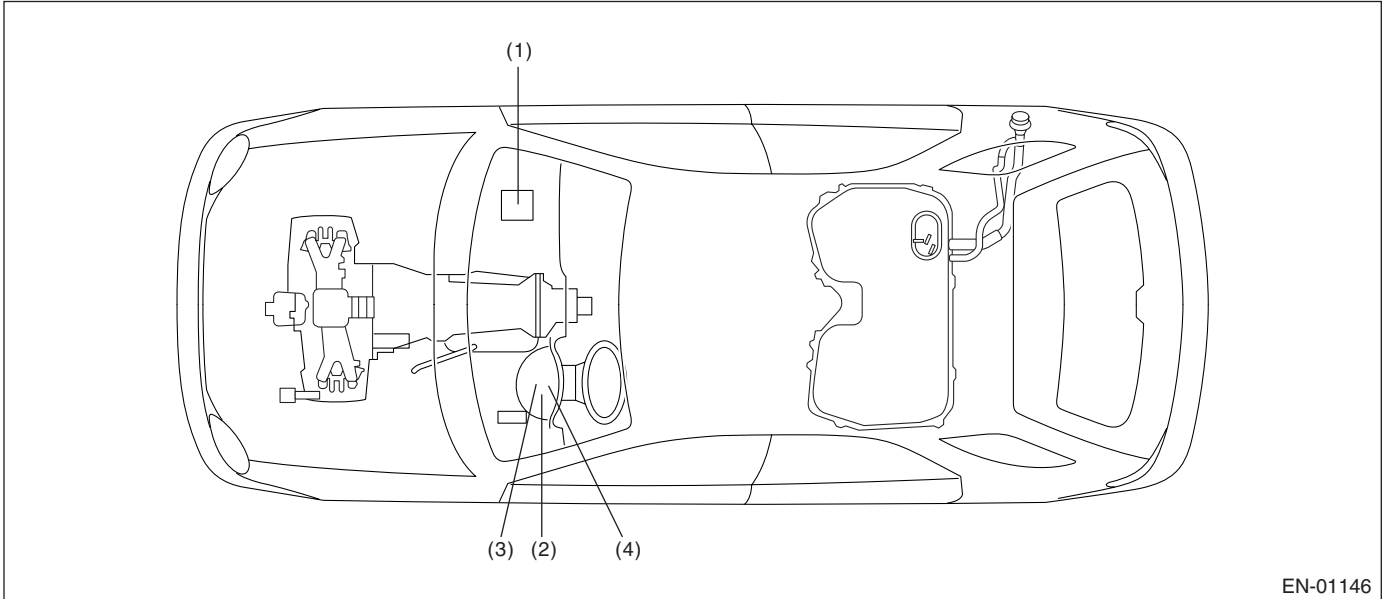
ENGINE (DIAGNOSTICS)

4. Electrical Component Location

A: LOCATION

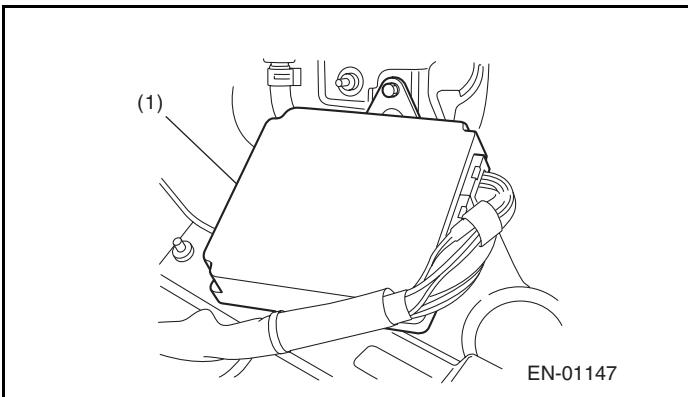
1. ENGINE

• CONTROL MODULE

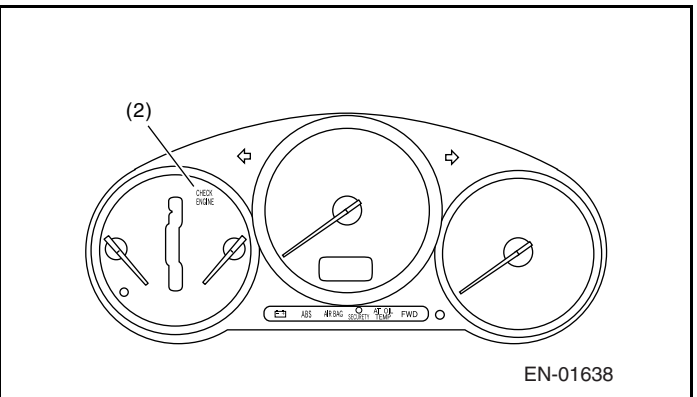


EN-01146

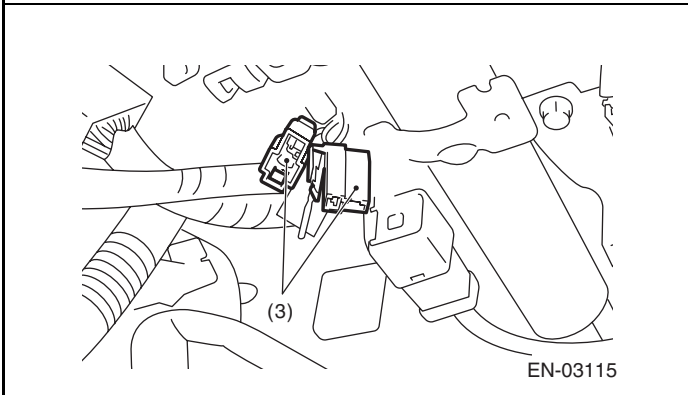
- (1) Engine control module (ECM) (3) Test mode connector (4) Data link connector
(2) Malfunction indicator light



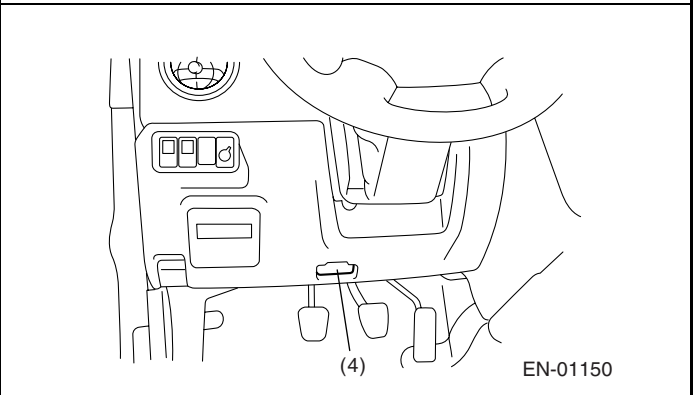
EN-01147



EN-01638



EN-03115

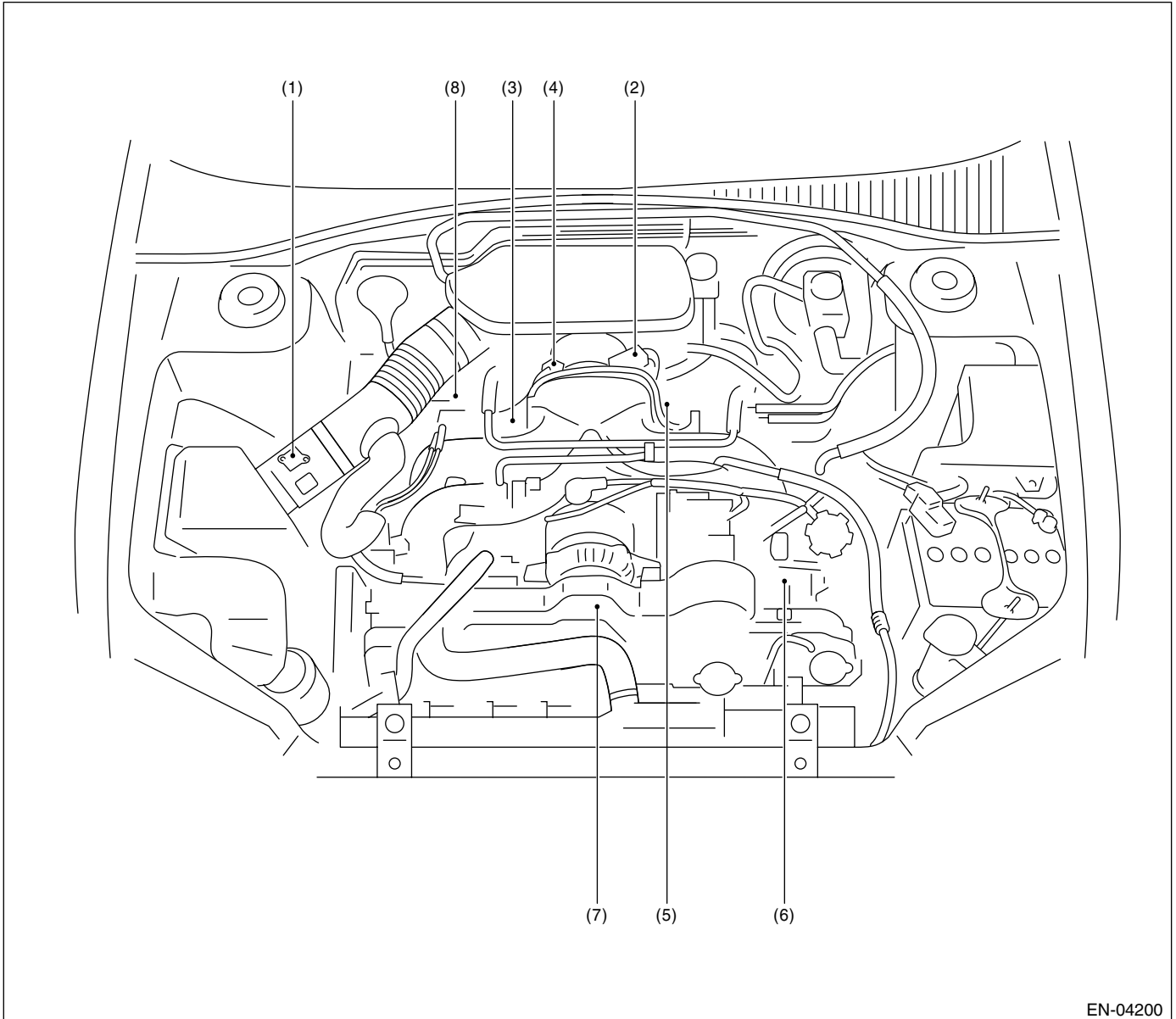


EN-01150

Electrical Component Location

ENGINE (DIAGNOSTICS)

• SENSOR

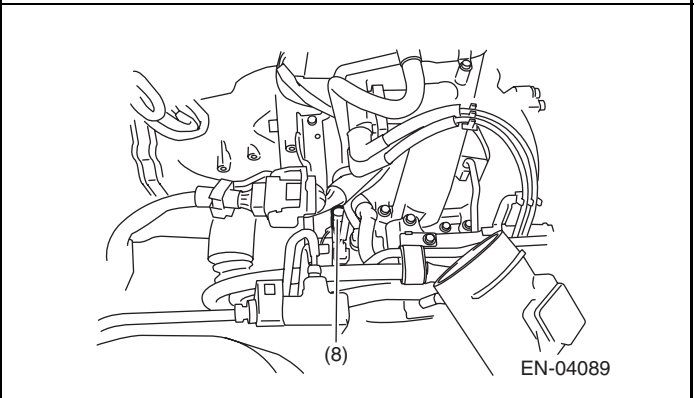
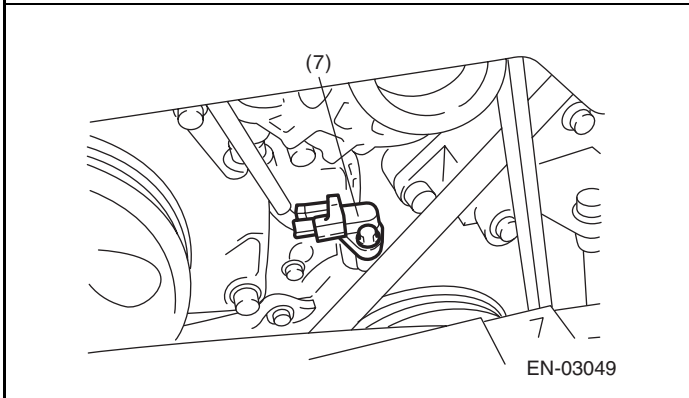
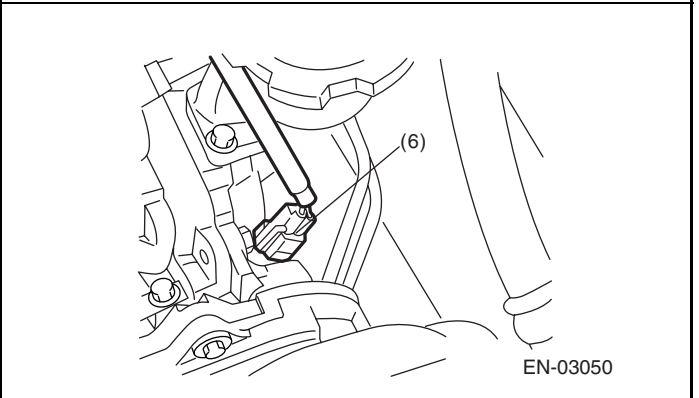
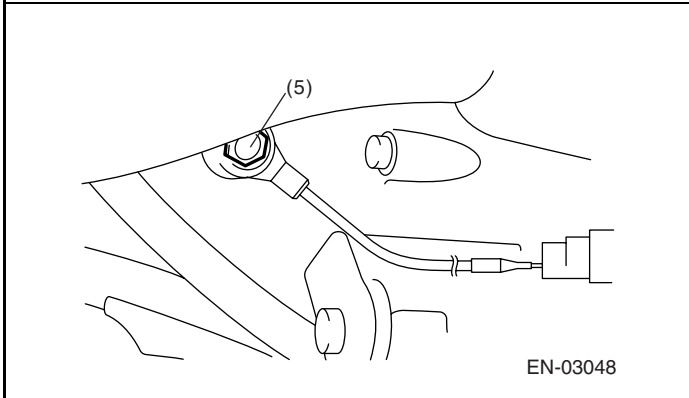
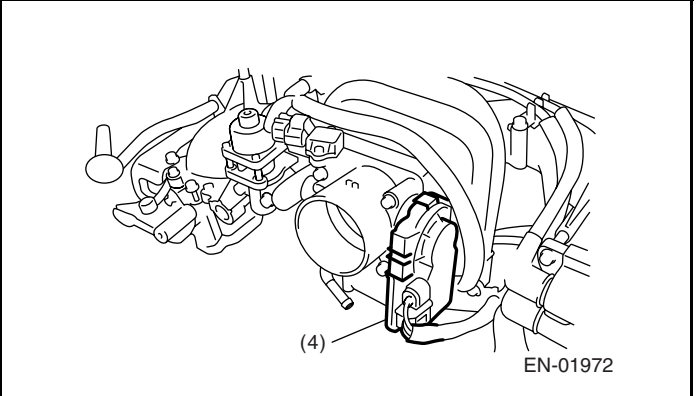
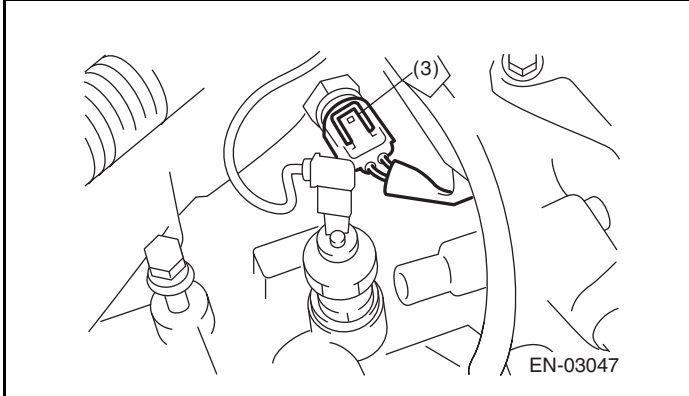
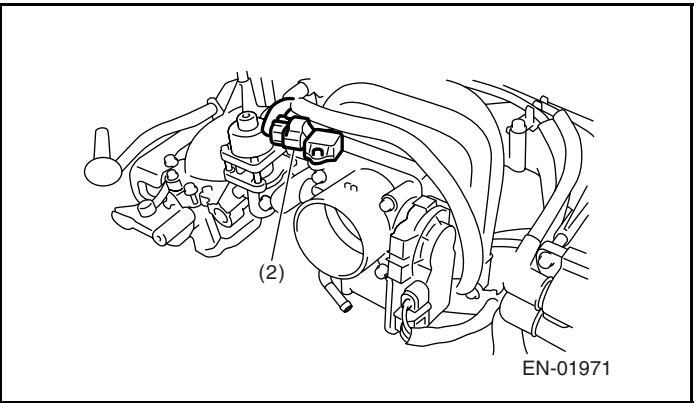
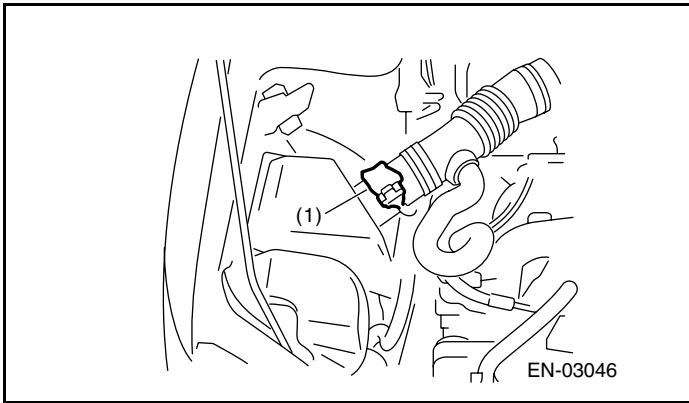


EN-04200

- | | | |
|---|---------------------------------------|--------------------------------|
| (1) Mass air flow and intake air temperature sensor | (3) Engine coolant temperature sensor | (6) Camshaft position sensor |
| (2) Manifold absolute pressure sensor | (4) Throttle position sensor | (7) Crankshaft position sensor |
| | (5) Knock sensor | (8) Oil temperature sensor |

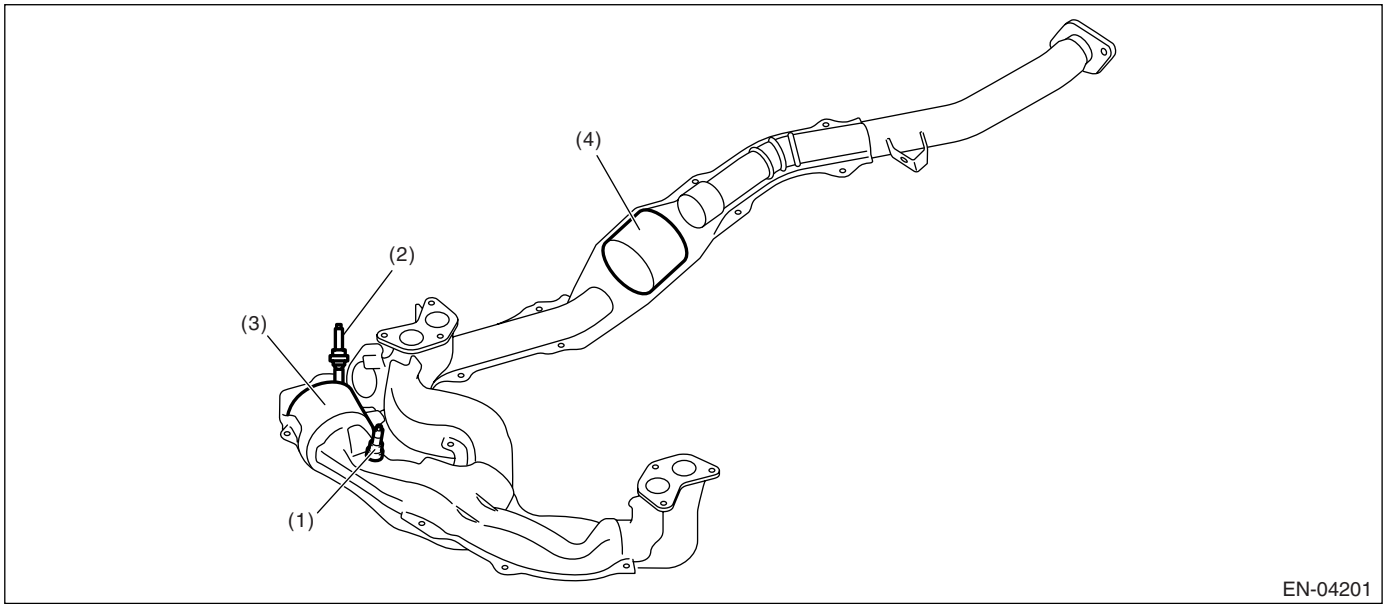
Electrical Component Location

ENGINE (DIAGNOSTICS)



Electrical Component Location

ENGINE (DIAGNOSTICS)



EN-04201

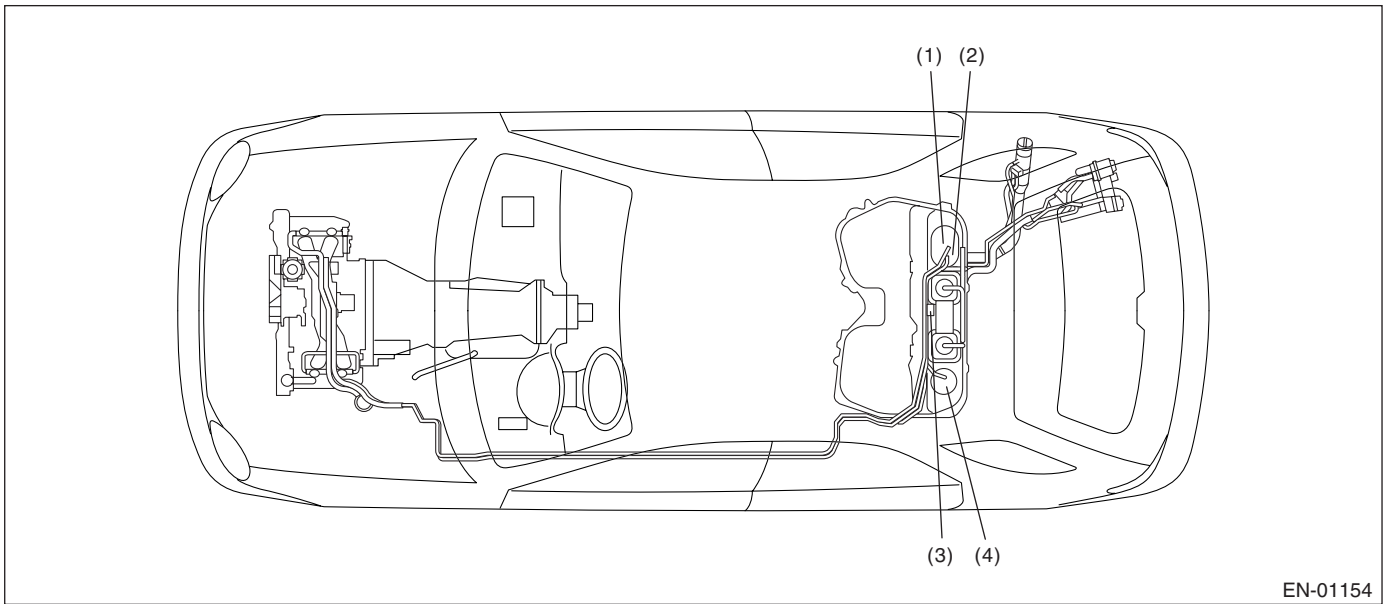
(1) Front oxygen (A/F) sensor
(2) Rear oxygen sensor

(3) Front catalytic converter

(4) Rear catalytic converter

Electrical Component Location

ENGINE (DIAGNOSTICS)

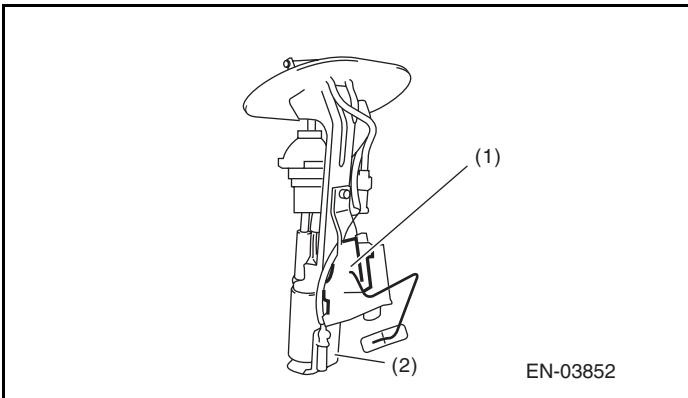


EN-01154

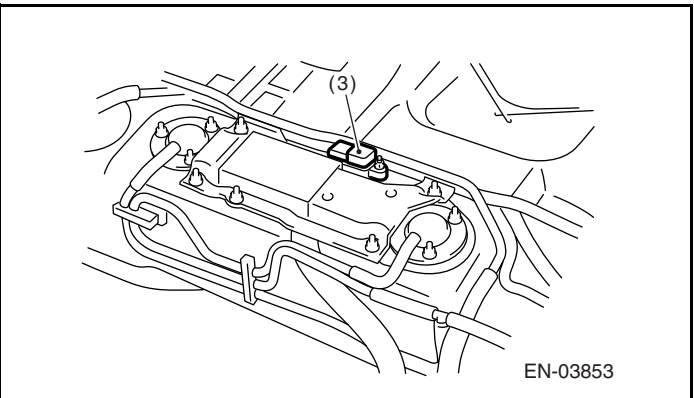
- (1) Fuel level sensor
- (2) Fuel temperature sensor

- (3) Fuel tank pressure sensor

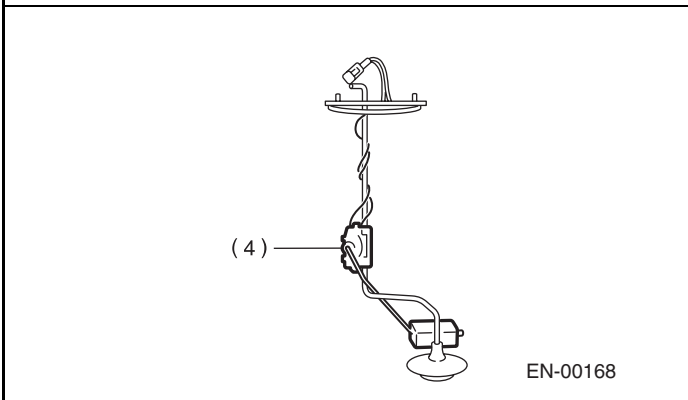
- (4) Fuel sub level sensor



EN-03852



EN-03853



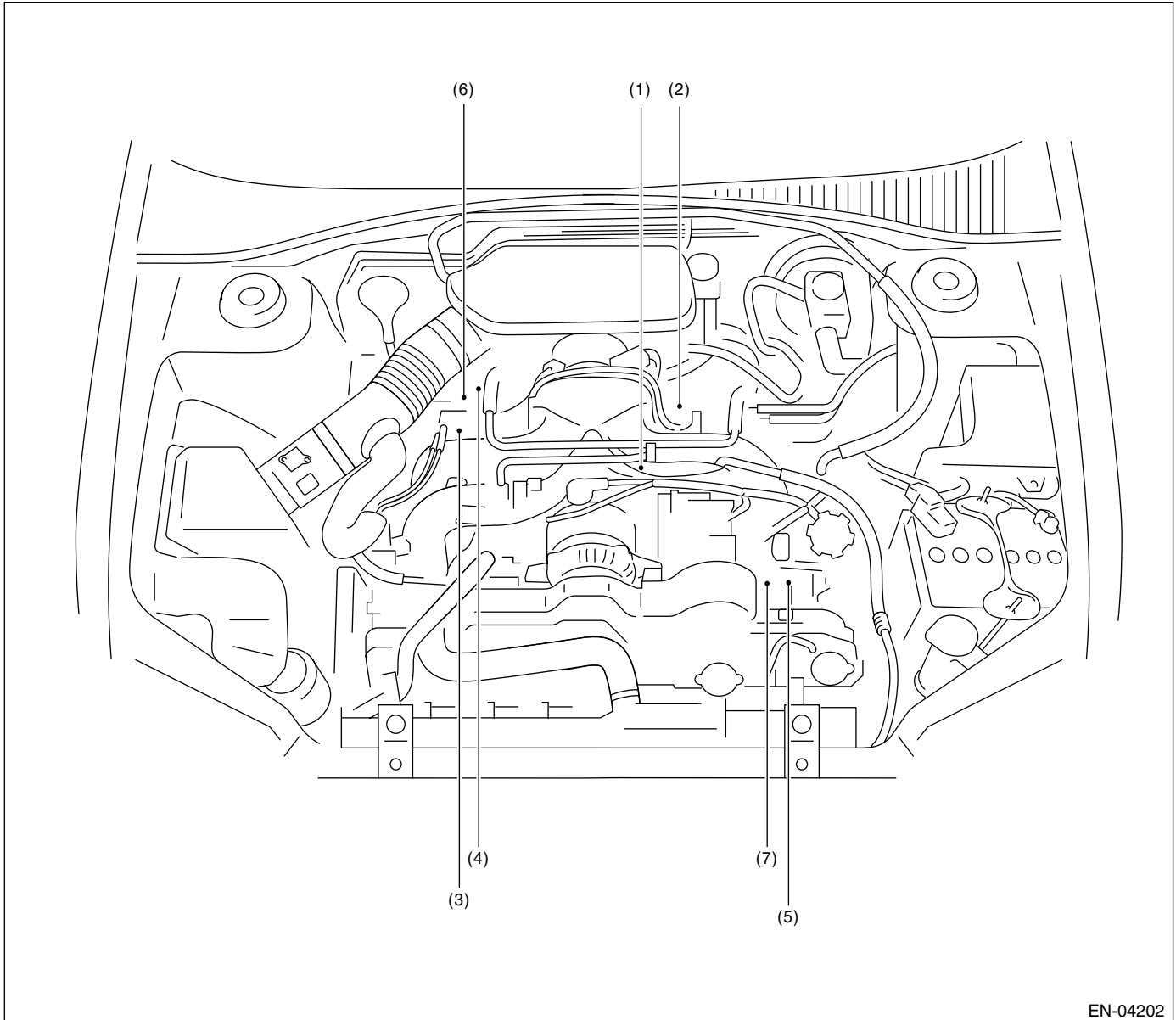
EN-00168

SUBARU.

Electrical Component Location

ENGINE (DIAGNOSTICS)

• SOLENOID VALVE, EMISSION CONTROL SYSTEM PARTS AND IGNITION SYSTEM PARTS



EN-04202

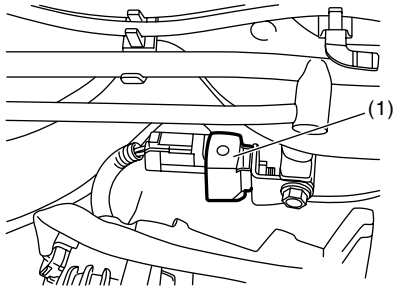
- (1) Purge control solenoid valve
- (2) EGR valve
- (3) Ignition coil and ignitor ASSY

- (4) Oil switching solenoid valve RH
- (5) Oil switching solenoid valve LH
- (6) Variable valve lift diagnosis oil pressure switch RH

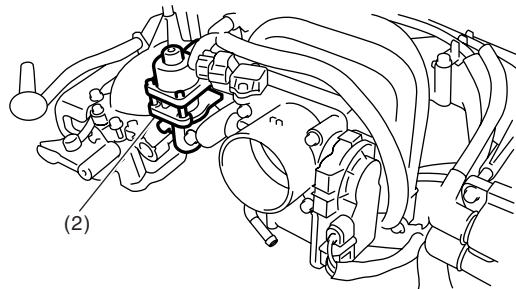
- (7) Variable valve lift diagnosis oil pressure switch LH

Electrical Component Location

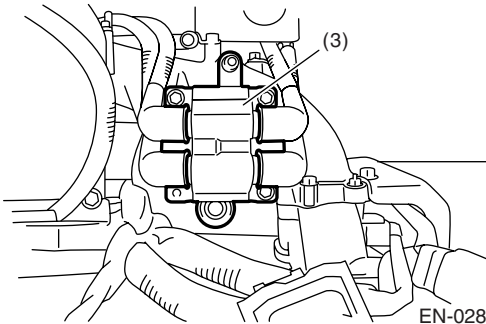
ENGINE (DIAGNOSTICS)



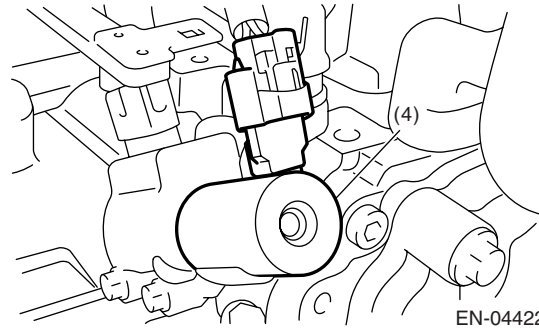
EN-03052



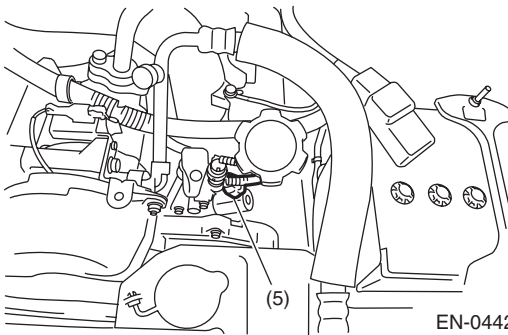
EN-01976



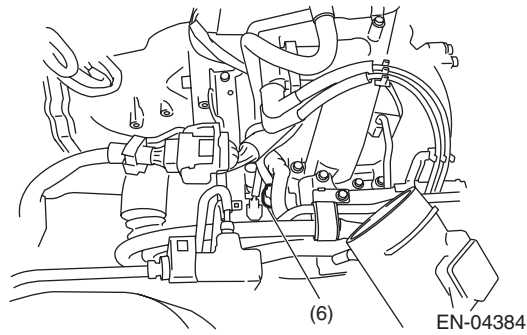
EN-02864



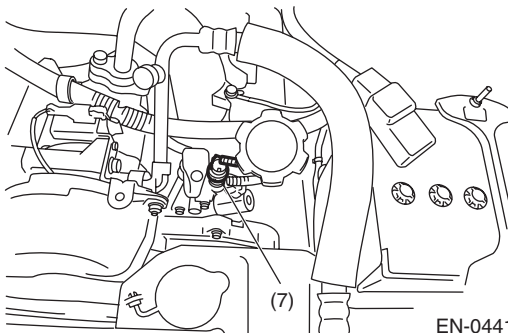
EN-04422



EN-04420



EN-04384

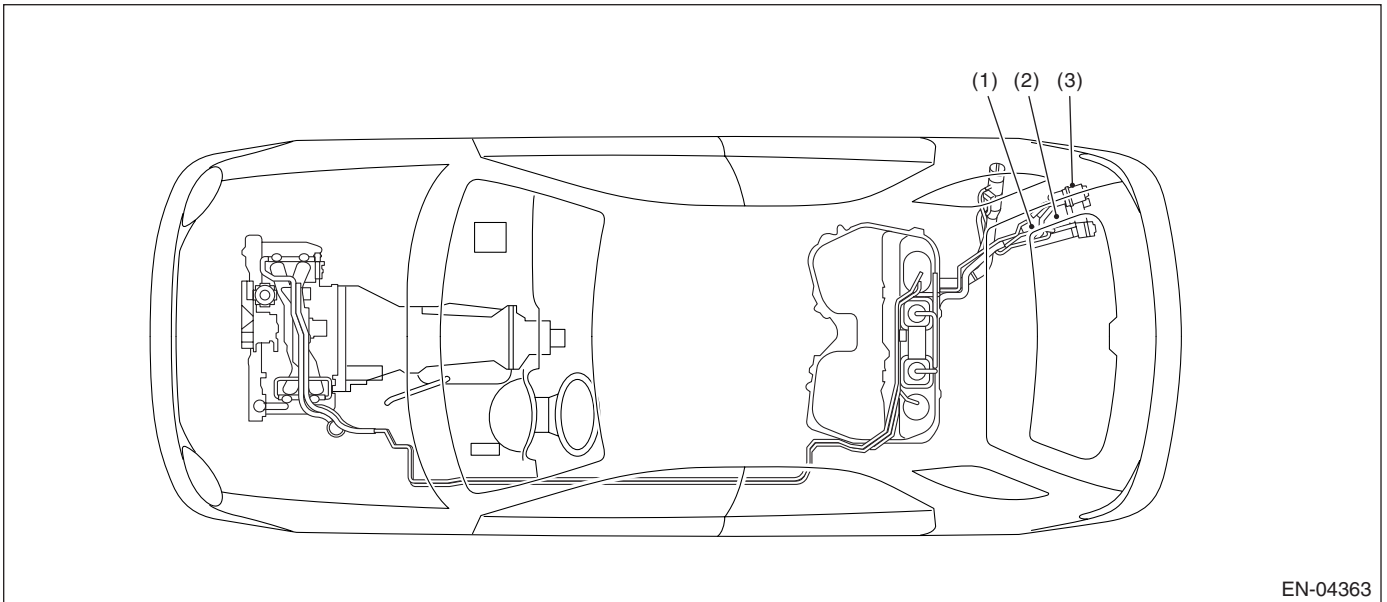


EN-04419

SUBARU.

Electrical Component Location

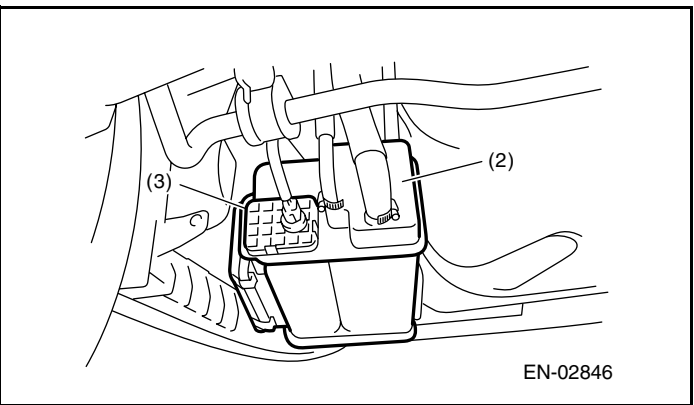
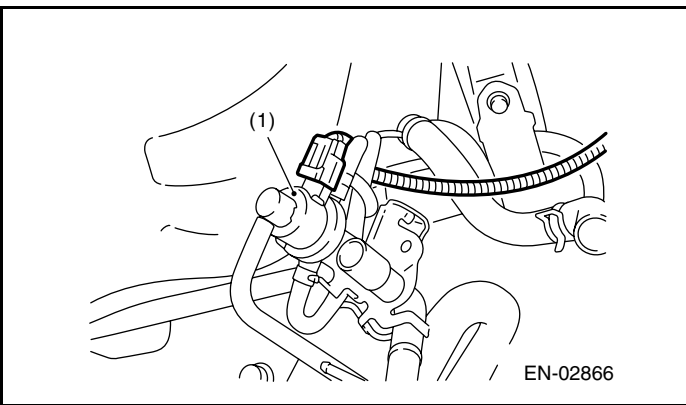
ENGINE (DIAGNOSTICS)



(1) Pressure control solenoid valve

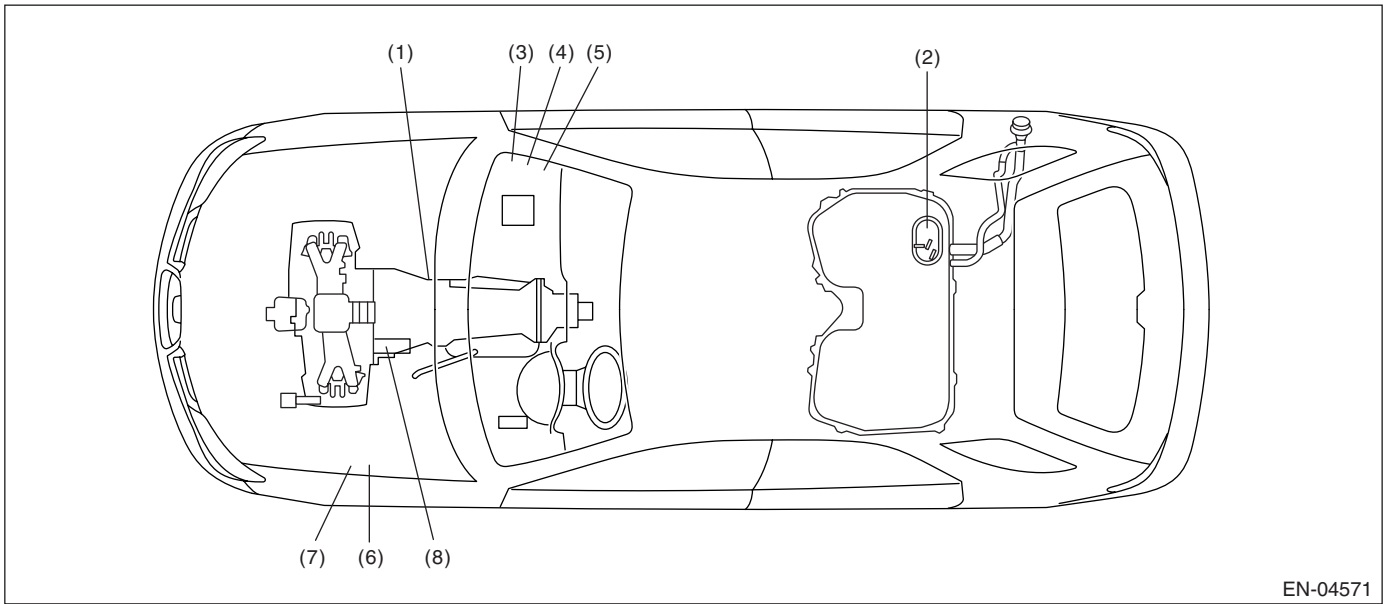
(2) Canister

(3) Drain valve



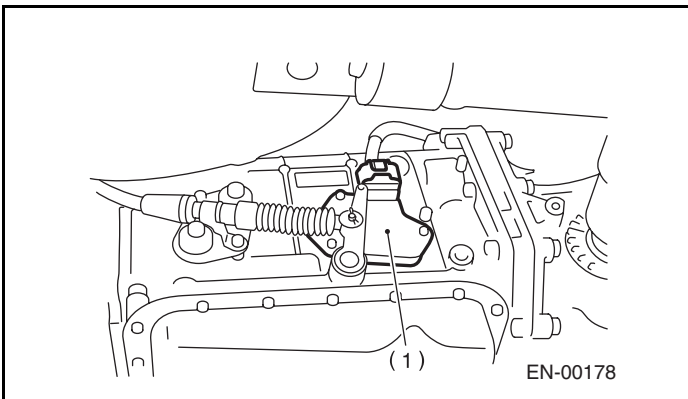
Electrical Component Location

ENGINE (DIAGNOSTICS)

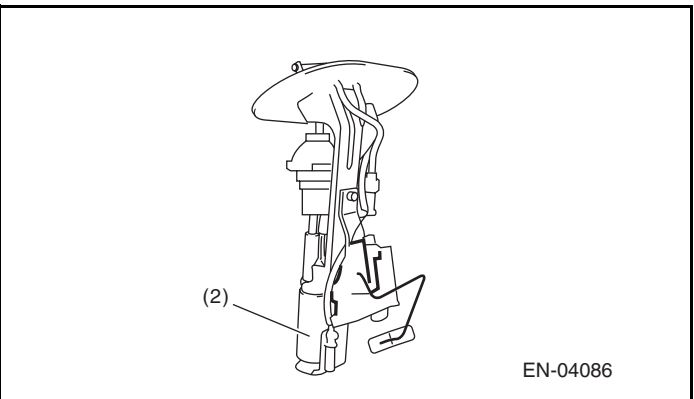


EN-04571

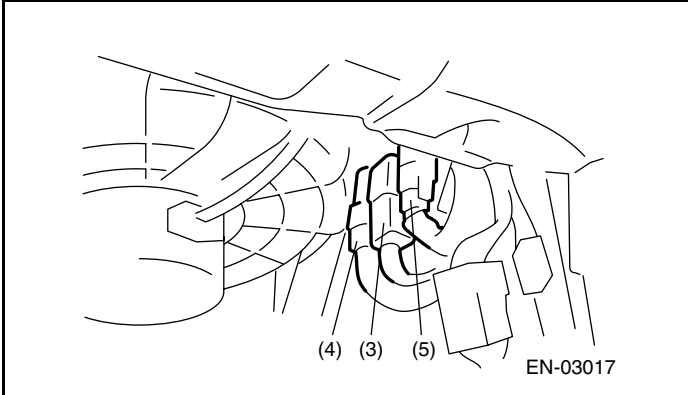
- | | | |
|----------------------|---------------------------------------|----------------------------|
| (1) Inhibitor switch | (4) Fuel pump relay | (7) Radiator sub fan relay |
| (2) Fuel pump | (5) Electronic throttle control relay | (8) Starter |
| (3) Main relay | (6) Radiator main fan relay | |



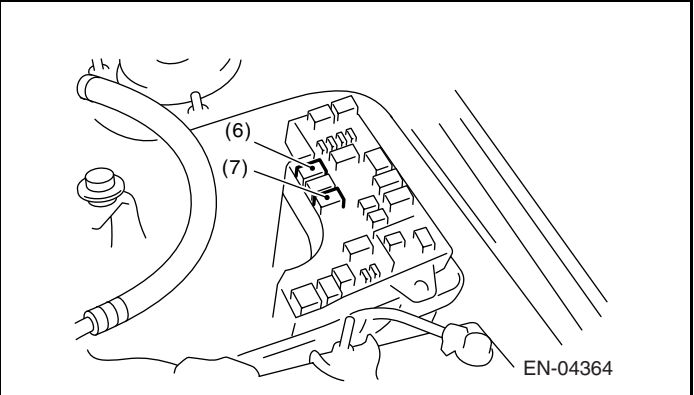
EN-00178



EN-04086



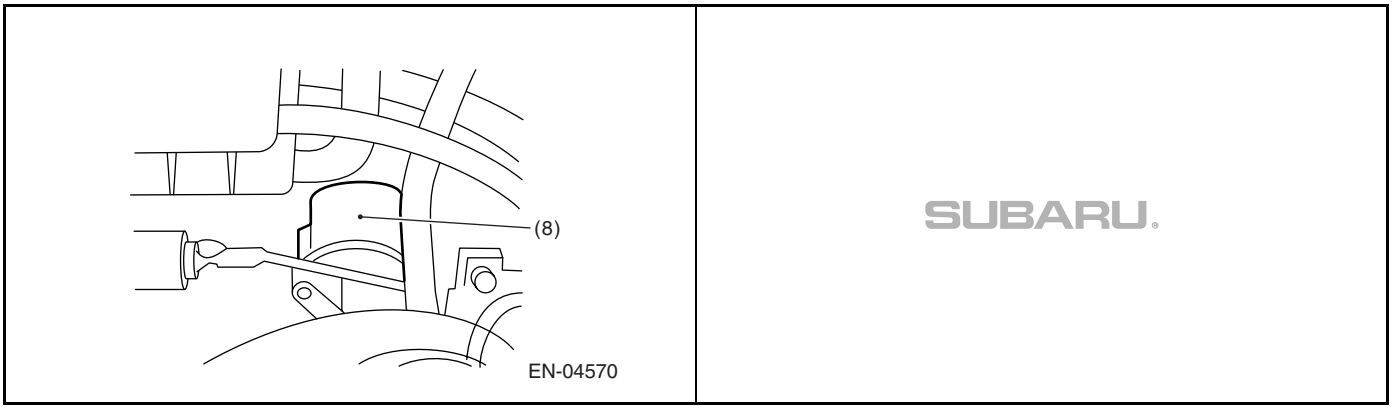
EN-03017



EN-04364

Electrical Component Location

ENGINE (DIAGNOSTICS)

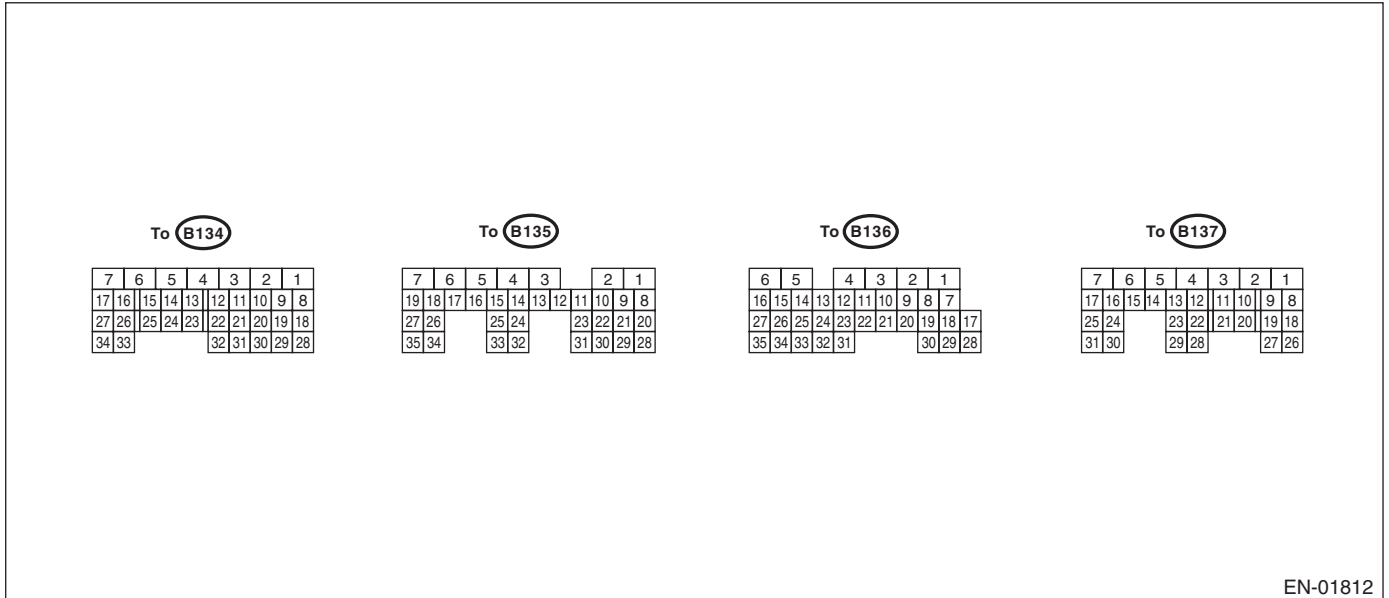


Engine Control Module (ECM) I/O Signal

ENGINE (DIAGNOSTICS)

5. Engine Control Module (ECM) I/O Signal

A: ELECTRICAL SPECIFICATION



EN-01812

Content	Connector No.	Terminal No.	Signal (V)		Note	
			Ignition SW ON (Engine OFF)	Engine ON (Idling)		
Crankshaft position sensor	Signal (+)	B134	13	0	-7 — +7	Sensor output waveform
	Signal (-)	B134	14	0	0	—
	Shield	B134	24	0	0	—
Rear oxygen sensor	Signal	B135	4	0	0 — 0.9	—
	Shield	B135	1	0	0	—
	GND (sensor)	B134	29	0	0	—
Front oxygen (A/F) sensor heater	Signal 1	B136	3	10 — 13	1 — 14	Waveform
	Signal 2	B136	2	10 — 13	1 — 14	Waveform
Rear oxygen sensor heater signal	B136	4	10 — 13	1 — 14	Waveform	
Engine coolant temperature sensor	Signal	B134	34	1.0 — 1.4	1.0 — 1.4	After warm-up the engine.
	GND (sensor)	B134	29	0	0	After warm-up the engine.
Vehicle speed signal	B136	12	0 or 5	0 or 5	"5" and "0" are repeatedly displayed when vehicle is driven.	
Mass air flow sensor	Signal	B135	26	—	0.3 — 4.5	—
	Shield	B135	35	0	0	—
	GND	B135	34	0	0	—
Intake air temperature sensor signal	B135	18	0.3 — 4.6	0.3 — 4.6	—	
Camshaft position sensor	Signal (+)	B134	12	0	-7 — +7	Sensor output waveform
	Signal (-)	B134	22	0	0	—
	Shield	B134	24	0	0	—
Starter switch	B136	32	0	0	Cranking: 8 — 14	
A/C switch	B136	23	ON: 10 — 13 OFF: 0	ON: 12 — 14 OFF: 0	—	
Ignition switch	B135	27	10 — 13	12 — 14	—	

Engine Control Module (ECM) I/O Signal

ENGINE (DIAGNOSTICS)

Content	Connector No.	Terminal No.	Signal (V)		Note	
			Ignition SW ON (Engine OFF)	Engine ON (Idling)		
Neutral position switch	B136	31	ON: 0 OFF: 10 — 13	ON: 0 OFF: 12 — 14	—	
Test mode connector	B135	19	10 — 13	12 — 14	When connected: 0	
Knock sensor	Signal	B134	15	2.5	2.5	—
	Shield	B134	25	0	0	—
Back-up power supply	B135	5	10 — 13	12 — 14	Ignition switch "OFF": 10 — 13	
Control unit power supply	B134	7	10 — 13	12 — 14	—	
	B135	2	10 — 13	12 — 14	—	
Ignition control	1	B137	18	0	1 — 3.4	Waveform
	2	B137	19	0	1 — 3.4	Waveform
Fuel injector	#1	B137	8	10 — 13	1 — 14	Waveform
	#2	B137	9	10 — 13	1 — 14	Waveform
	#3	B137	10	10 — 13	1 — 14	Waveform
	#4	B137	11	10 — 13	1 — 14	Waveform
Fuel pump control relay	B136	13	ON: 0.5 or less OFF: 10 — 13	ON: 0.5 or less OFF: 12 — 14	—	
A/C relay control	B136	9	ON: 0.5 or less OFF: 10 — 13	ON: 0.5 or less OFF: 12 — 14	—	
Radiator fan relay 1 control	B136	18	ON: 0.5 or less OFF: 10 — 13	ON: 0.5 or less OFF: 12 — 14	—	
Radiator fan relay 2 control	B136	29	ON: 0.5 or less OFF: 10 — 13	ON: 0.5 or less OFF: 12 — 14	Model with A/C only	
Starter relay control	B136	20	ON: 0.5 or less OFF: 10 — 13	ON: 0.5 or less OFF: 12 — 14	—	
Self shut relay control	B136	24	0.5 or less	0.5 or less	—	
Malfunction indicator lamp	B136	11	—	—	Light "ON": 1 or less Light "OFF": 10 — 14	
Engine speed output	B136	22	—	0 — 13	Waveform	
Purge control solenoid valve	B137	29	ON: 1 or less OFF: 10 — 13	ON: 1 or less OFF: 12 — 14	Sensor output waveform	
Manifold absolute pressure sensor	Signal	B134	6	3.4 — 3.8	1.4 — 1.8	—
	GND (sensor)	B134	29	0	0	
Fuel tank pressure sensor	Signal	B135	32	2.3 — 2.7	2.3 — 2.7	The valve operates when fuel filler cap is removed and reinstalled.
	GND (sensor)	B135	30	0	0	
Pressure control solenoid valve	B136	28	ON: 1 or less OFF: 10 — 13	ON: 1 or less OFF: 12 — 14	—	
Drain valve	B136	17	ON: 1 or less OFF: 10 — 13	ON: 1 or less OFF: 12 — 14	—	
Fuel level sensor	B135	10	0.3 — 4.5	0.3 — 4.5	—	
Fuel temperature sensor signal	B135	17	1 — 4	1 — 4	—	
Small light switch	B135	15	ON: 0 OFF: 10 — 13	ON: 0 OFF: 12 — 14	—	
Blower fan switch	B135	16	ON: 0 OFF: 10 — 13	ON: 0 OFF: 12 — 14	—	
Rear defogger switch	B135	14	ON: 0 OFF: 10 — 13	ON: 0 OFF: 12 — 14	—	
Power steering oil pressure switch	B134	33	ON: 1 or less OFF: 10 — 13	ON: 0 OFF: 12 — 14	—	

Engine Control Module (ECM) I/O Signal

ENGINE (DIAGNOSTICS)

Content	Connector No.	Terminal No.	Signal (V)		Note	
			Ignition SW ON (Engine OFF)	Engine ON (Idling)		
Front oxygen (A/F) sensor signal (+)	B135	9	—	2.7 — 2.9	—	
Front oxygen (A/F) sensor signal (-)	B135	8	—	2.35 — 2.55	—	
Front oxygen (A/F) sensor shield	B135	1	0	0	—	
SSM/GST communication line	B136	16	Less than 1 ←→ More than 4	Less than 1 ←→ More than 4	—	
Ground	Engine 1	B134	5	0	0	—
	Engine 2	B137	7	0	0	—
	Engine 3	B137	2	0	0	—
	Engine 4	B137	1	0	0	—
	Engine 5	B137	3	0	0	—
	Ignition 1	B137	26	0	0	—
	Ignition 2	B137	6	0	0	—
Body	B136	6	0	0	—	
Electronic throttle control	Main	B134	18	0.64 — 0.72 Fully opened: 3.96	0.64 — 0.72 (After engine warm-up)	Fully closed: 0.6 Fully opened: 3.96
	Sub	B134	28	1.51 — 1.58 Fully opened: 4.17	1.51 — 1.58 (After engine warm-up)	Fully closed: 1.48 Fully opened: 4.17
	Power supply	B134	19	5	5	—
	GND (sensor)	B134	29	0	0	—
Electronic throttle control motor (+)	B137	5	Duty waveform	Duty waveform	Driving frequency: 500 Hz	
Electronic throttle control motor (-)	B137	4	Duty waveform	Duty waveform	Driving frequent: 500 Hz	
Electronic throttle control motor power supply	B136	1	10 — 13	12 — 14	—	
Electronic throttle control motor relay	B136	21	ON: 0 OFF: 10 — 13	ON: 0 OFF: 12 — 14	When ignition switch is ON: ON	
Accelerator pedal position sensor	Main sensor signal	B135	23	Fully closed: 0.7 Fully opened: 3.0	Fully closed: 0.7 Fully opened: 3.0	—
	Main power supply	B135	21	5	5	—
	GND (Main sensor)	B135	29	0	0	—
	Sub sensor signal	B135	31	Fully closed: 0.7 Fully opened: 3.0	Fully closed: 0.7 Fully opened: 3.0	—
	Sub power supply	B135	22	5	5	—
	GND (Sub sensor)	B135	30	0	0	—
Cruise control set light	B135	3	ON: 0 OFF: 10 — 13	ON: 0 OFF: 12 — 14	—	
Main light	B135	6	ON: 1 or less OFF: 10 — 13	ON: 0 OFF: 12 — 14	—	
Clutch switch	B136	25	When clutch pedal is depressed: 0 When clutch pedal is released: 10 — 13	When clutch pedal is depressed: 0 When clutch pedal is released: 12 — 14	—	

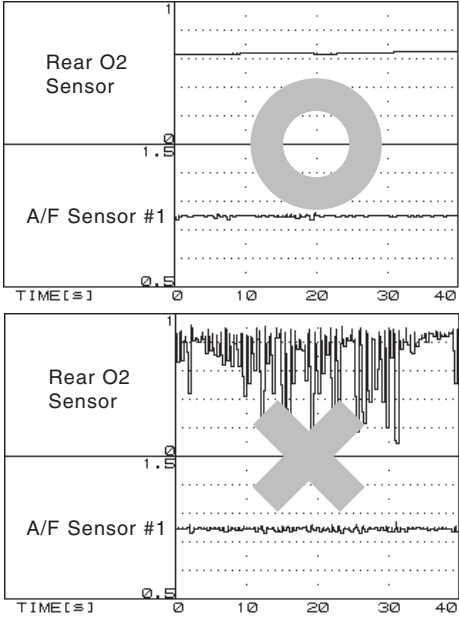
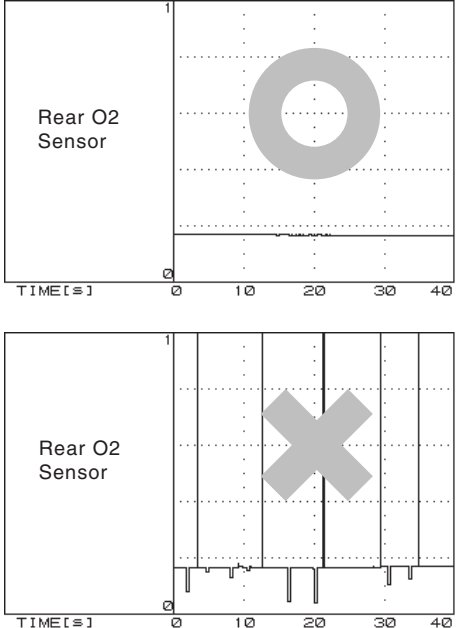
Engine Control Module (ECM) I/O Signal

ENGINE (DIAGNOSTICS)

Content	Connector No.	Terminal No.	Signal (V)		Note	
			Ignition SW ON (Engine OFF)	Engine ON (Idling)		
SET/COAST switch	B135	24	ON: 10 — 13 OFF: 0	ON: 12 — 14 OFF: 0	—	
Brake switch 1	B135	20	When brake pedal is depressed: 0 When brake pedal is released: 10 — 13	When brake pedal is depressed: 0 When brake pedal is released: 12 — 14	—	
Brake switch 2	B135	28	When brake pedal is depressed: 10 — 13 When brake pedal is released: 0	When brake pedal is depressed: 12 — 14 When brake pedal is released: 0	—	
RESUME/ACCEL switch	B135	13	ON: 10 — 13 OFF: 0	ON: 12 — 14 OFF: 0	—	
Main switch	B135	12	ON: 10 — 13 OFF: 0	ON: 12 — 14 OFF: 0	—	
CAN communication	Signal (+)	B136	27	Pulse signal		—
	Signal (-)	B136	35	Pulse signal		—
EGR solenoid valve	Signal 1	B134	8	0 or 10 — 13	0 or 12 — 14	—
	Signal 2	B134	9	0 or 10 — 13	0 or 12 — 14	—
	Signal 3	B134	10	0 or 10 — 13	0 or 12 — 14	—
	Signal 4	B134	20	0 or 10 — 13	0 or 12 — 14	—
Oil switching solenoid valve RH	Signal (+)	B137	25	0	Duty waveform	Driving frequency: 300 Hz
	Signal (-)	B137	24	0	0	—
Oil switching solenoid valve LH	Signal (+)	B137	31	0	Duty waveform	Driving frequency: 300 Hz
	Signal (-)	B137	30	0	0	—
Oil temperature sensor signal	B134	23	1.0 — 1.4	1.0 — 1.4	After warm-up the engine.	
Variable valve lift diagnosis oil pressure switch RH	B134	31	0	0	—	
Variable valve lift diagnosis oil pressure switch LH	B134	32	0	0	—	

Engine Control Module (ECM) I/O Signal

ENGINE (DIAGNOSTICS)

Input/Output	Measuring condition	Waveform
1. Rear oxygen sensor	5 minutes after driving at a constant speed of 80 — 113 km/h (50 — 70 MPH)	 <p>EN-04680</p>
2. Rear oxygen sensor	While idling (Oxygen sensor in active status)	 <p>EN-04681</p>

6. Engine Condition Data

A: ELECTRICAL SPECIFICATION

Content	Specified data
Engine load	17.6 — 40.5 (%): Idling
	14.72 — 29.8 (%): 2,500 rpm racing

Measuring condition:

- After the engine is warmed-up.
- Gear position is in “N” or “P” range.
- A/C is turned OFF.
- All accessory switches are turned OFF.

Data Link Connector

ENGINE (DIAGNOSTICS)

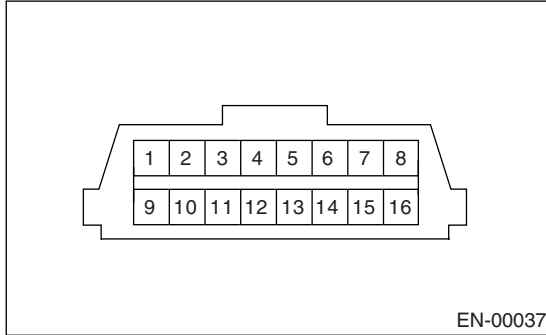
7. Data Link Connector

A: NOTE

This connector is used both for general scan tools and the Subaru Select Monitor.

CAUTION:

Do not connect any scan tools other than the general scan tools and the Subaru Select Monitor, because the circuit for the Subaru Select Monitor may be damaged.



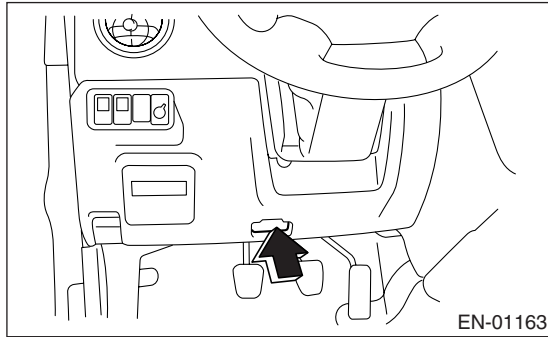
Terminal No.	Contents	Terminal No.	Contents
1	Power supply	9	Blank
2	Blank	10	Subaru Select Monitor signal
3	Blank	11	Blank
4	Blank	12	Ground
5	Blank	13	Ground
6	Blank	14	Blank
7	Blank	15	Blank
8	Blank	16	Blank

8. General Scan Tool

A: OPERATION

1. HOW TO USE GENERAL SCAN TOOL

- 1) Prepare a general scan tool required by SAE J1978.
- 2) Open the cover and connect the general scan tool to data link connector located in the lower portion of instrument panel (on the driver's side).



- 3) Using the general scan tool, call up DTC and freeze frame data.

General scan tool functions consist of:

2. MODE \$01 (CURRENT POWERTRAIN DIAGNOSTIC DATA)

Refers to data denoting the current operating condition of analog input/output, digital input/output and/or the powertrain system.

A list of the support data and PID (Parameter Identification) codes are shown in the following table.

PID	Data	Unit of measure
01	Number of emission-related powertrain DTC and malfunction indicator light status and diagnosis support information	—
03	Fuel system control status	—
04	Calculated engine load value	%
05	Engine coolant temperature	°C
06	Short term fuel trim	%
07	Long term fuel trim	%
0B	Intake manifold absolute pressure	kPa
0C	Engine revolution	rpm
0D	Vehicle speed	km/h
0E	Ignition timing advance	°
0F	Intake air temperature	°C
10	Air flow rate from mass air flow sensor	g/sec
11	Throttle valve absolute opening angle	%
13	Check whether oxygen sensor is installed.	—
15	Oxygen sensor output voltage and short term fuel trim associated with oxygen sensor	V and %
1C	Supporting OBD system	—
24	A/F value and A/F sensor output voltage	— and V
34	A/F value and A/F current	— and mA

NOTE:

Refer to general scan tool manufacturer's instruction manual to access generic OBD-II PIDs (MODE \$01).

- (1) MODE \$01: Current powertrain diagnostic data
- (2) MODE \$02: Powertrain freeze frame data
- (3) MODE \$03: Emission-related powertrain DTC
- (4) MODE \$04: Clear/Reset emission-related diagnostic information
- (5) MODE \$06: Request on-board monitoring test results for non-continuously monitored systems
- (6) MODE \$07: Request on-board monitoring test results for continuously monitored systems
- (7) MODE \$09: Request vehicle information

Read out the data according to repair procedures. (For detailed operation procedures, refer to the General Scan Tool Operation Manual.)

NOTE:

For details concerning DTC, refer to the List of Diagnostic Trouble Code (DTC). <Ref. to EN(H4SO)(diag)-73, List of Diagnostic Trouble Code (DTC).>

General Scan Tool

ENGINE (DIAGNOSTICS)

3. MODE \$02 (POWERTRAIN FREEZE FRAME DATA)

Refers to data denoting the operating condition when trouble is sensed by the on-board diagnosis system. A list of the support data and PID (Parameter Identification) codes are shown in the following table.

PID	Data	Unit of measure
02	DTC that caused CARB required freeze frame data storage	—
03	Fuel system control status	—
04	Calculated engine load value	%
05	Engine coolant temperature	°C
06	Short term fuel trim	%
07	Long term fuel trim	%
0B	Intake manifold absolute pressure	kPa
0C	Engine revolution	rpm
0D	Vehicle speed	km/h
0E	Ignition timing advance	°
0F	Intake air temperature	°C
10	Air flow rate from mass air flow sensor	g/sec
11	Throttle valve opening angle	%
15	Oxygen sensor output voltage and short term fuel trim associated with oxygen sensor	V and %
1C	Supporting OBD system	—

NOTE:

Refer to general scan tool manufacturer's instruction manual to access freeze frame data (MODE \$02).

4. MODE \$03 (EMISSION-RELATED POWERTRAIN DIAGNOSTIC TROUBLE CODE (DTC))

Refer to Read Diagnostic Trouble Code (DTC) for information about data denoting emission-related powertrain DTC. <Ref. to EN(H4SO)(diag)-73, List of Diagnostic Trouble Code (DTC).>

5. MODE \$04 (CLEAR/RESET EMISSION-RELATED DIAGNOSTIC INFORMATION)

Refers to the mode used to clear or reset emission-related diagnostic information (OBD-II trouble diagnostic information).

NOTE:

Refer to general scan tool manufacturer's instruction manual to clear or reset emission-related diagnostic information (MODE \$04).

6. MODE \$06

Refer to test value of troubleshooting and data of test limit on support data bit sequence table. List of support data is shown in the following table.

TID	CID	Test value & Test limit
\$41	\$81	Rear oxygen sensor circuit (Bank 1 Sensor 2)
	\$02	
\$81	\$01	Catalyst system
\$82	\$01	Exhaust gas recirculation system
	\$02	
\$83	\$01	Evaporative emission control system (0.04 inch leak)
	\$02	Evaporative emission control system (0.04 inch leak)
	\$03	Evaporative emission control system (0.04 inch leak)
	\$04	Evaporative emission control system (0.04 inch leak)
	\$05	Evaporative emission control system (0.02 inch leak)
	\$06	Evaporative emission control system (0.02 inch leak)
\$84	\$01	Front oxygen (A/F) sensor circuit slow response (Bank 1 Sensor 1)
\$85	\$01	Rear O ₂ sensor circuit slow response (Bank 1 Sensor 2) Rich → Lean
	\$02	Rear O ₂ sensor circuit slow response (Bank 1 Sensor 2) Lean → Rich

7. MODE \$07

Refer to data of DTC (pending code) for troubleshooting result about emission in first time.

8. MODE \$09

Refer to data of vehicle specification (VIN, calibration ID, diagnosis frequency etc.).

Subaru Select Monitor

ENGINE (DIAGNOSTICS)

9. Subaru Select Monitor

A: OPERATION

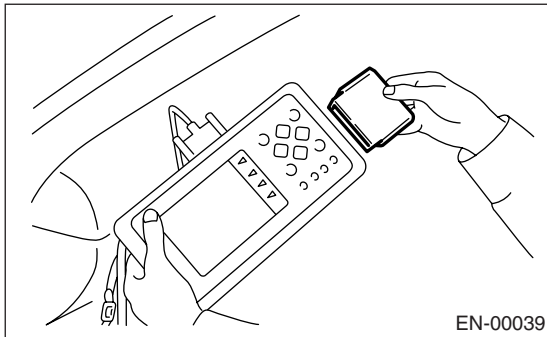
1. HOW TO USE SUBARU SELECT MONITOR

1) Prepare the Subaru Select Monitor kit. <Ref. to EN(H4SO)(diag)-7, PREPARATION TOOL, General Description.>



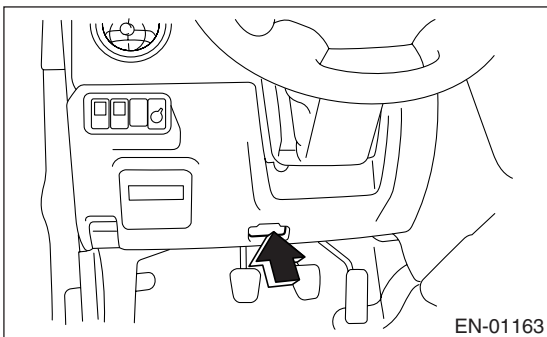
2) Connect the diagnosis cable to Subaru Select Monitor.

3) Insert the cartridge into Subaru Select Monitor. <Ref. to EN(H4SO)(diag)-7, PREPARATION TOOL, General Description.>



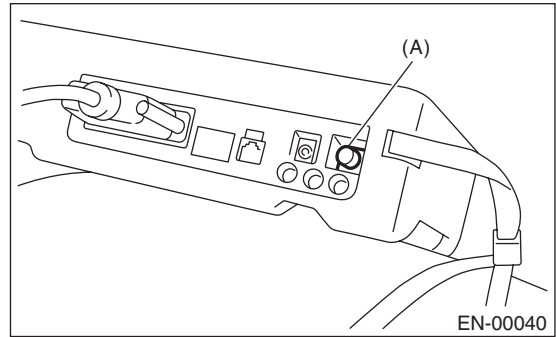
4) Connect the Subaru Select Monitor to data link connector.

(1) Data link connector located in the lower portion of instrument panel (on driver's side).



(2) Connect the diagnosis cable to data link connector.

5) Turn the ignition switch to ON (engine OFF) and Subaru Select Monitor power switch to ON.



(A) Power switch

6) Using the Subaru Select Monitor, call up DTC and various data, then record them.

2. READ DIAGNOSTIC TROUBLE CODE (DTC) FOR ENGINE (NORMAL MODE)

Refer to Read Diagnostic Trouble Code (DTC) for information about how to indicate DTC. <Ref. to EN(H4SO)(diag)-35, Read Diagnostic Trouble Code (DTC).>

3. READ DIAGNOSTIC TROUBLE CODE (DTC) FOR ENGINE (OBD MODE)

Refer to Read Diagnostic Trouble Code (DTC) for information about how to indicate DTC. <Ref. to EN(H4SO)(diag)-35, Read Diagnostic Trouble Code (DTC).>

CAUTION:

Do not connect scan tools except for Subaru Select Monitor and general scan tool.

4. READ CURRENT DATA FOR ENGINE. (NORMAL MODE)

- 1) On the «Main Menu» display screen, select the {Each System Check} and press the [YES] key.
 - 2) On the «System Selection Menu» display screen, select the {Engine} and press the [YES] key.
 - 3) Press the [YES] key after the information of engine type has been displayed.
 - 4) On the «Engine Diagnosis» display screen, select the {Current Data Display/Save}, and then press the [YES] key.
 - 5) On the «Data Display Menu» display screen, select the {Data Display} and press the [YES] key.
 - 6) Using the scroll key, scroll the display screen up or down until the desired data is shown.
- A list of the support data is shown in the following table.

Remarks	Display	Unit of measure	Note (at idling)
Engine load	Engine Load	%	21.0%
Engine coolant temperature signal	Coolant Temp.	°C or °F	92°C or 198F
A/F correction 1	A/F Correction #1	%	-0.8%
A/F learning 1	A/F Learning #1	%	0.0%
Intake manifold absolute pressure	Mani. Absolute Pressure	mmHg, kPa, inHg or psig	200 — 300 mmHg, 26.7 — 40 kPa, 7.8 — 11.8 inHg or 3.8 — 5.8 psig
Engine speed signal	Engine Speed	rpm	600 — 800 rpm (Agree with the tachometer indication)
Vehicle speed signal	Vehicle Speed	km/h or MPH	0 km/h or 0 MPH (at parking)
Ignition timing signal	Ignition Timing	deg	14 — 16 deg
Intake air temperature signal	Intake Air Temp.	°C or °F	(Ambient air temperature)
Amount of intake air	Mass Air Flow	g/s or lb/m	2.8 — 3.2 g/s or 0.37 — 0.42 lb/m
Throttle opening angle signal	Throttle Opening Angle	%	2.0%
Rear oxygen sensor voltage	Rear O2 Sensor	V	0.1 — 0.7 V
Battery voltage	Battery Voltage	V	12 — 14 V
Mass air flow voltage	Air Flow Sensor Voltage	V	1.26 V
Injection 1 pulse width	Fuel Injection #1 Pulse	ms	2.82 ms
Knock sensor correction	Knocking Correction	deg	0.0 deg
Atmospheric pressure signal	Atmosphere Pressure	mmHg, kPa, inHg or psig	(Atmosphere pressure)
Intake manifold relative pressure	Mani. Relative Pressure	mmHg, kPa, inHg or psig	(Mani. Absolute Pressure – Atmosphere pressure)
Fuel tank pressure signal	Fuel Tank Pressure	mmHg, kPa, inHg or psig	+7.9 mmHg, +1.1 kPa, +0.31 inHg or +0.15 psig
Fuel temperature signal	Fuel Temp	°C or °F	+20°C or +68°F
Fuel level signal	Fuel Level	V	0 — 5 V
Acceleration opening angle signal	Accel. Opening Angle	%	0.0%
Purge control solenoid duty ratio	CPC Valve Duty Ratio	%	0 — 3%
EGR steps	No. of EGR Steps	STEP	0 STEP
A/F sensor current value 1	A/F Sensor #1 Current	mA	-0.2 — 0.2 mA
A/F sensor resistance value 1	A/F Sensor #1 Resistance	Ω	32 Ω
A/F sensor output lambda 1	A/F Sensor #1	—	1.0
A/F correction 3	A/F Correction #3	%	0.3%
A/F learning 3	A/F Learning #3	%	0.00%
Throttle motor duty	Throttle Motor Duty	%	-15%
Throttle power supply voltage	Throttle Motor Voltage	V	(Battery voltage)
Sub throttle sensor voltage	Sub-throttle Sensor	V	1.52 V
Main throttle sensor voltage	Main-throttle Sensor	V	0.66 V

Subaru Select Monitor

ENGINE (DIAGNOSTICS)

Remarks	Display	Unit of measure	Note (at idling)
Sub acceleration sensor voltage	Sub-accelerator Sensor	V	0.68 V
Main acceleration sensor voltage	Main-accelerator Sensor	V	0.68 V
Memory vehicle speed	Memorized Cruise Speed	km/h or MPH	0 km/h or 0 MPH
Engine oil temperature	Oil Temperature	°C	≥ 85°C (After engine warm-up)
Oil switching solenoid valve duty R	OSV Duty R	%	16.9%
Oil switching solenoid valve duty L	OSV Duty L	%	16.9%
Oil switching solenoid valve current R	OSV Current R	mA	192 mA
Oil switching solenoid valve current L	OSV Current L	mA	192 mA
Variable valve lift mode	VVL Lift Mode	—	1
#1 cylinder roughness monitor	Roughness Monitor #1	—	0
#2 cylinder roughness monitor	Roughness Monitor #2	—	0
#3 cylinder roughness monitor	Roughness Monitor #3	—	0
#4 cylinder roughness monitor	Roughness Monitor #4	—	0
AT/MT identification terminal	AT Vehicle ID Signal	—	ON/OFF
Test mode terminal	Test Mode Signal	—	OFF
Neutral position switch signal	Neutral Position Switch	—	ON
Soft idle switch signal	Idle Switch Signal	—	ON
Ignition switch signal	Ignition Switch	—	ON
Power steering switch input signal	P/S Switch	—	OFF (At OFF)
Air conditioning switch signal	A/C Switch	—	OFF (At OFF)
Starter switch signal	Starter Switch	—	OFF
Rear O ₂ monitor	Rear O2 Rich Signal	—	ON/OFF
Knocking signal	Knocking Signal	—	OFF
Crankshaft position sensor signal	Crankshaft Position Sig.	—	ON
Camshaft position sensor signal	Camshaft Position Sig.	—	ON
Rear defogger switch signal	Rear Defogger SW	—	OFF (At OFF)
Blower fan switch signal	Blower Fan SW	—	OFF (At OFF)
Light switch signal	Light Switch	—	OFF (At OFF)
A/C middle pressure switch signal	A/C Mid Pressure Switch	—	OFF (At OFF)
Air conditioner compressor relay output signal	A/C Compressor Signal	—	OFF (At OFF)
Radiator fan relay 1 signal	Radiator Fan Relay #1	—	OFF (At OFF)
Radiator fan relay 2 signal	Radiator Fan Relay #2	—	OFF (At OFF)
Fuel pump relay signal	Fuel Pump Relay	—	ON
Pressure control solenoid valve signal	PCV Solenoid	—	OFF
PCV hose ASSY diagnosis signal	Blow-by leak Connector	—	ON
Drain valve signal	Vent Control Solenoid	—	OFF
Variable valve lift diagnosis oil pressure switch signal 1	Eng. Oil Press. SW1	—	ON
Variable valve lift diagnosis oil pressure switch signal 2	Eng. Oil Press. SW2	—	ON
AT coordinate retard angle demand signal	Retard Signal from AT	—	OFF
AT coordinate fuel cut demand signal	Fuel Cut Signal from AT	—	OFF
AT coordinate permission demand	Torque Permission Signal	—	ON
Electronic throttle control motor relay signal	ETC Motor Relay	—	ON
Clutch switch signal	Clutch Switch	—	OFF (At OFF)
Stop light switch signal	Stop Light Switch	—	OFF (At OFF)
SET/COAST switch signal	SET/COAST Switch	—	OFF (At OFF)
RES/ACC switch signal	RESUME/ACCEL Switch	—	OFF (At OFF)
Brake switch signal	Brake Switch	—	OFF (At OFF)
Main switch signal	Main Switch	—	OFF (At OFF)

Subaru Select Monitor

ENGINE (DIAGNOSTICS)

Remarks	Display	Unit of measure	Note (at idling)
Crusise control cancel switch signal	CC Cancel SW	—	OFF (At OFF)

NOTE:

For detailed operation procedure, refer to the “SUBARU SELECT MONITOR OPERATION MANUAL”.

5. READ CURRENT DATA FOR ENGINE (OBD MODE)

- 1) On the «Main Menu» display screen, select the {Each System Check} and press the [YES] key.
 - 2) On the «System Selection Menu» display screen, select the {Engine} and press the [YES] key.
 - 3) Press the [YES] key after the information of engine type has been displayed.
 - 4) On the «Engine Diagnosis» display screen, select the {OBD system} and press the [YES] key.
 - 5) On the «OBD Menu» display screen, select the {Current Data Display/Save}, and press the [YES] key.
 - 6) On the «Data Display Menu» display screen, select the {Data Display} and press the [YES] key.
 - 7) Using the scroll key, scroll the display screen up or down until the desired data is shown.
- A list of the support data is shown in the following table.

DESCRIPTION	Display	Unit of measure	Note (at idling)
Number of diagnosis code	Number of Diag. Code:	—	0
Condition of malfunction indicator light	MI (MIL)	—	OFF
Monitoring test of misfire	Misfire monitoring	—	complete
Monitoring test of fuel system	Fuel system monitoring	—	complete
Monitoring test of comprehensive component	Component monitoring	—	complete
Test of catalyst	Catalyst Diagnosis	—	incomplete
Test of heating-type catalyst	Heated catalyst	—	no support
Test of evaporative emission purge control system	Evaporative purge system	—	incomplete
Test of secondary air system	Secondary air system	—	no support
Test of air conditioning system refrigerant	A/C system refrigerant	—	no support
Test of oxygen sensor	O1 Sensor Diagnosis	—	incomplete
Test of oxygen sensor heater	O2 Heater Diagnosis	—	complete
Test of EGR system	EGR system	—	incomplete
A/F control #1	Fuel system for Bank 1	—	CLOSE normal
Load	Calculated load valve	%	23.0%
Engine coolant temperature signal	Coolant Temp.	°C	92°C or 198°F
A/F correction 1	A/F Correction #1	%	-0.8%
A/F learning 1	A/F Learning #1	%	+0.0%
Intake manifold absolute pressure	Mani. Absolute Pressure	mmHg, kPa, inHg or psig	211 mmHg, 28.1 kPa, 8.31 inHg or 4.08 psig
Engine speed signal	Engine Speed	rpm	700 rpm
Vehicle speed signal	Vehicle Speed	km/h or MPH	0 km/h or 0 MPH
Ignition timing #1	Ignition timing adv. #1	°	+16.0°
Intake air temperature signal	Intake Air Temp.	°C or °F	36°C or 97°F
Amount of intake air	Mass Air Flow	g/s or lb/m	2.7 g/s or 0.36 lb/m
Throttle opening angle signal	Throttle Opening Angle	%	13%
Oxygen sensor (Bank 1 Sensor 2)	Oxygen sensor #12	V	0.7 V
A/F correction (Bank 1 Sensor 2)	A/F Correction #12	%	0.0%
OBD system	OBD system	—	CARB — OBD2
Front oxygen (A/F) sensor (Bank 1 Sensor 1)	Oxygen sensor #11	—	Support
Oxygen sensor (Bank 1 Sensor 2)	Oxygen sensor #12	—	Support
Front oxygen (A/F) sensor (Bank 1 Sensor 1)	A/F sensor #11	—	1.001
Front oxygen (A/F) sensor (Bank 1 Sensor 1)	A/F sensor #11	V	2.79 V
Front oxygen (A/F) sensor (Bank 1 Sensor 1)	A/F sensor #11	—	1.001

Subaru Select Monitor

ENGINE (DIAGNOSTICS)

DESCRIPTION	Display	Unit of measure	Note (at idling)
Front oxygen (A/F) sensor (Bank 1 Sensor 1)	A/F sensor #11	mA	0.00 mA

NOTE:

For detailed operation procedure, refer to “SUBARU SELECT MONITOR OPERATION MANUAL”.

6. READ FREEZE FRAME DATA FOR ENGINE (OBD MODE)

- 1) On the «Main Menu» display screen, select the {Each System Check} and press the [YES] key.
 - 2) On the «System Selection Menu» display screen, select the {Engine Control System} and press the [YES] key.
 - 3) Press the [YES] key after the information of engine type has been displayed.
 - 4) On the «Engine Diagnosis» display screen, select the {OBD System} and press the [YES] key.
 - 5) On the «OBD Menu» display screen, select the {Freeze Frame Data} and press the [YES] key.
- A list of support data is shown in the following table.

Contents	Display	Unit of measure
DTC for freeze frame data	Freeze frame data	DTC
Air fuel ratio control system for bank 1	Fuel system for Bank1	CLOSE normal or OPEN initial
Engine load data	Engine Load	%
Engine coolant temperature signal	Coolant Temp.	°C or °F
Short term fuel trim by front oxygen (A/F) sensor	Short term fuel trim B1	%
Long term fuel trim by front oxygen (A/F) sensor	Long term fuel trim B1	%
Intake manifold absolute pressure signal	Mani. Absolute Pressure	mmHg, kPa, inHg or psig
Engine speed signal	Engine Speed	rpm
Vehicle speed signal	Vehicle Speed	km/h or MPH
Ignition timing signal	Ignition Timing	°
Intake air volume	Mass Air Flow	g/sec
Intake air temperature signal	Intake Air Temp	°C
Throttle position signal	Throttle Opening Angle	%
Oxygen sensor (Bank 1 Sensor 2)	Oxygen sensor #12	V
A/F correction (Bank 1 Sensor 2)	Short term fuel trim #12	%
Front oxygen (A/F) sensor (Bank 1 Sensor 1)	Oxygen sensor #11	Support
Oxygen sensor (Bank 1 Sensor 2)	Oxygen sensor #12	Support

NOTE:

For detailed operation procedure, refer to SUBARU SELECT MONITOR OPERATION MANUAL.

7. LED OPERATION MODE FOR ENGINE

- 1) On the «Main Menu» display screen, select the {Each System Check} and press the [YES] key.
 - 2) On the «System Selection Menu» display screen, select the {Engine} and press the [YES] key.
 - 3) Press the [YES] key after the information of engine type has been displayed.
 - 4) On the «Engine Diagnosis» display screen, select the {Current Data Display/Save}, and then press the [YES] key.
 - 5) On the «Data Display Menu» display screen, select the {Data & LED Display} and press the [YES] key.
 - 6) Using the scroll key, scroll the display screen up or down until the desired data is shown.
- A list of the support data is shown in the following table.

Remarks	Display	Message	LED "ON" requirements
AT/MT identification signal	AT Vehicle ID Signal	ON or OFF	Illuminate (AT model)
Test mode signal	Test Mode Signal	ON or OFF	D check
Neutral position switch signal	Neutral Position Switch	ON or OFF	When neutral position signal is entered.
Idle switch signal	Idle Switch Signal	ON or OFF	When idle switch signal is entered.
Ignition switch signal	Ignition Switch	ON or OFF	When ignition switch is turned to ON.
Power steering switch signal	P/S Switch	ON or OFF	When power steering switch is entered.
Air conditioning switch signal	A/C Switch	ON or OFF	When air conditioning switch is input.
Starter switch signal	Starter Switch	ON or OFF	When starter switch is input.
Rear oxygen sensor rich signal	Rear O2 Rich Signal	ON or OFF	When rear oxygen sensor mixture ratio is rich.
Knocking signal	Knocking Signal	ON or OFF	When knocking signal is input.
Crankshaft position sensor signal	Crankshaft Position Signal	ON or OFF	When crankshaft position sensor signal is input.
Camshaft position sensor signal	Camshaft Position Signal	ON or OFF	When camshaft position sensor signal is entered.
Rear defogger switch signal	Rear Defogger Switch	ON or OFF	When rear defogger switch is turned to ON.
Blower fan switch signal	Blower Fan Switch	ON or OFF	When blower fan switch is turned to ON.
Light switch signal	Light Switch	ON or OFF	When light switch is turned to ON.
A/C middle pressure switch signal	A/C Mid Pressure Switch	ON or OFF	When A/C middle pressure switch is turned to ON.
Air conditioning relay signal	A/C Compressor Signal	ON or OFF	When air conditioning relay is in function.
Radiator fan relay 1 signal	Radiator Fan Relay #1	ON or OFF	When radiator fan relay 1 is in function.
Radiator fan relay 2 signal	Radiator Fan Relay #2	ON or OFF	When radiator fan relay 2 is in function.
Fuel pump relay signal	Fuel Pump Relay	ON or OFF	ON output
PCV hose ASSY diagnosis signal	Blow-by leak Connector	ON or OFF	PCV hose ASSY is connected.
Pressure control solenoid valve signal	PCV Solenoid	ON or OFF	When pressure control solenoid valve is in operation.
Drain valve signal	Vent Control Solenoid	ON or OFF	When drain valve is in operation.
Variable valve lift diagnosis oil pressure switch signal 1	Engine Oil Pressure SW1	ON or OFF	Variable valve lift diagnosis oil pressure switch signal 1 is input.

Subaru Select Monitor

ENGINE (DIAGNOSTICS)

Remarks	Display	Message	LED "ON" requirements
Variable valve lift diagnosis oil pressure switch signal 2	Engine Oil Pressure SW2	ON or OFF	Variable valve lift diagnosis oil pressure switch signal 2 is input.
AT retard angle demand signal	Retard Signal	ON or OFF	When AT retard angle demand signal is input.
AT fuel cut signal	Fuel Cut	ON or OFF	When AT fuel cut signal is input.
AT coordinate permission signal	Torque Control Permission	ON or OFF	When AT coordinate permission signal is input.
Electronic throttle control motor relay signal	ETC Motor Relay	ON or OFF	When electronic throttle control is in function.
Clutch switch signal	Clutch Switch	ON or OFF	When clutch switch is turned to ON.
Stop light switch signal	Stop Light Switch	ON or OFF	When stop switch is turned to ON.
SET/COAST switch signal	SET/COAST Switch	ON or OFF	When SET/COAST switch is turned to ON.
RES/ACC switch signal	RESUME/ACCEL Switch	ON or OFF	When RES/ACC switch is turned to ON.
Brake switch signal	Brake Switch	ON or OFF	When brake switch is turned to ON.
Main switch signal	Main Switch	ON or OFF	When main switch is turned to ON.
Cancel switch signal	Cancel Switch	ON or OFF	When cancel switch is turned to ON.

NOTE:

For detailed operation procedure, refer to "SUBARU SELECT MONITOR OPERATION MANUAL".

8. VIN REGISTRATION

- 1) On the «Main Menu» display screen, select the {Each System Check} and press the [YES] key.
- 2) On the «System Selection Menu» display screen, select the {Engine} and press the [YES] key.
- 3) Press the [YES] key after the information of engine type has been displayed.
- 4) On the «Engine Diagnosis» display screen, select the {VIN registration} and press the [YES] key.
- 5) Perform the procedure as shown in the display.

NOTE:

For detailed operation procedure, refer to "SUBARU SELECT MONITOR OPERATION MANUAL".

10. Read Diagnostic Trouble Code (DTC)

A: OPERATION

1. SUBARU SELECT MONITOR (NORMAL MODE)

- 1) On «Main Menu» display screen, select the {Each System Check} and press the [YES] key.
- 2) On «System Selection Menu» display screen, select the {Engine Control System} and press the [YES] key.
- 3) Press the [YES] key after the information of engine type is displayed.
- 4) On «Engine Diagnosis» display screen, select the {Diagnostic Code(s) Display} and press the [YES] key.
- 5) On «Diagnostic Code(s) Display» display screen, select the {Current Diagnostic Code(s)} or {History Diagnostic Code(s)} and press the [YES] key.

NOTE:

- For detailed operation procedure, refer to SUBARU SELECT MONITOR OPERATION MANUAL.
- For details concerning DTC, refer to the List of Diagnostic Trouble Code (DTC). <Ref. to EN(H4SO)(diag)-73, List of Diagnostic Trouble Code (DTC).>

2. SUBARU SELECT MONITOR (OBD MODE)

- 1) On «Main Menu» display screen, select the {2. Each System Check} and press the [YES] key.
- 2) On «System Selection Menu» display screen, select the {Engine Control System} and press the [YES] key.
- 3) Press the [YES] key after the information of engine type is displayed.
- 4) On «Engine Diagnosis» display screen, select the {OBD System} and press the [YES] key.
- 5) On «OBD Menu» display screen, select the {Diagnosis Code(s) Display} and press the [YES] key.
- 6) Make sure that a DTC is shown on display screen.

NOTE:

- For detailed operation procedure, refer to SUBARU SELECT MONITOR OPERATION MANUAL.
- For details concerning DTC, refer to the List of Diagnostic Trouble Code (DTC). <Ref. to EN(H4SO)(diag)-73, List of Diagnostic Trouble Code (DTC).>

3. GENERAL SCAN TOOL

Refers to data denoting emission-related powertrain DTC.

For details concerning DTC, refer to the List of Diagnostic Trouble Code (DTC). <Ref. to EN(H4SO)(diag)-73, List of Diagnostic Trouble Code (DTC).>

NOTE:

Refer to general scan tool manufacturer's instruction manual to access emission-related powertrain DTC (MODE \$03).

Inspection Mode

ENGINE (DIAGNOSTICS)

11. Inspection Mode

A: PROCEDURE

Carry out trouble diagnosis shown in the following DTC table.

When performing trouble diagnosis which is not shown in the DTC table, refer to the next item Drive cycle.

<Ref. to EN(H4SO)(diag)-41, Drive Cycle.>

DTC	Item
P0031	HO2S Heater Control Circuit Low (Bank 1 Sensor 1)
P0032	HO2S Heater Control Circuit High (Bank 1 Sensor 1)
P0037	HO2S Heater Control Circuit Low (Bank 1 Sensor 2)
P0038	HO2S Heater Control Circuit High (Bank 1 Sensor 2)
P0077	Intake Valve Control Solenoid Circuit High (Bank 1)
P0083	Intake Valve Control Solenoid Circuit High (Bank 2)
P0102	Mass or Volume Air Flow Circuit Low Input
P0103	Mass or Volume Air Flow Circuit High Input
P0107	Manifold Absolute Pressure/Barometric Pressure Circuit Low Input
P0108	Manifold Absolute Pressure/Barometric Pressure Circuit High Input
P0112	Intake Air Temperature Circuit Low Input
P0113	Intake Air Temperature Circuit High Input
P0117	Engine Coolant Temperature Circuit Low Input
P0118	Engine Coolant Temperature Circuit High Input
P0122	Throttle/Pedal Position Sensor/Switch "A" Circuit Low Input
P0123	Throttle/Pedal Position Sensor/Switch "A" Circuit High Input
P0131	O ₂ Sensor Circuit Low Voltage (Bank 1 Sensor 1)
P0132	O ₂ Sensor Circuit High Voltage (Bank 1 Sensor 1)
P0137	O ₂ Sensor Circuit Low Voltage (Bank 1 Sensor 2)
P0138	O ₂ Sensor Circuit High Voltage (Bank 1 Sensor 2)
P0140	O ₂ Sensor Circuit No Activity Detected (Bank 1 Sensor 2)
P0182	Fuel Temperature Sensor "A" Circuit Low Input
P0183	Fuel Temperature Sensor "A" Circuit High Input
P0197	Engine Oil Temperature Sensor Low
P0198	Engine Oil Temperature Sensor High
P0222	Throttle/Pedal Position Sensor/Switch "B" Circuit Low Input
P0223	Throttle/Pedal Position Sensor/Switch "B" Circuit High Input
P0327	Knock Sensor 1 Circuit Low Input (Bank 1 or Single Sensor)
P0328	Knock Sensor 1 Circuit High Input (Bank 1 or Single Sensor)
P0335	Crankshaft Position Sensor "A" Circuit
P0336	Crankshaft Position Sensor "A" Circuit Range/Performance
P0340	Camshaft Position Sensor "A" Circuit (Bank 1 or Single Sensor)
P0341	Camshaft Position Sensor "A" Circuit Range/Performance (Bank 1 or Single Sensor)
P0447	Evaporative Emission Control System Vent Control Circuit Open
P0448	Evaporative Emission Control System Vent Control Circuit Shorted
P0452	Evaporative Emission Control System Pressure Sensor Low Input
P0453	Evaporative Emission Control System Pressure Sensor High Input
P0458	Evaporative Emission Control System Purge Control Valve Circuit Low
P0462	Fuel Level Sensor Circuit Low Input
P0463	Fuel Level Sensor Circuit High Input
P0502	Vehicle Speed Sensor Circuit Low Input
P0503	Vehicle Speed Sensor Intermittent/Erratic/High
P0512	Starter Request Circuit
P0600	CAN Communication Circuit
P0604	Internal Control Module Random Access Memory (RAM) Error

Inspection Mode

ENGINE (DIAGNOSTICS)

DTC	Item
P0605	Internal Control Module Read Only Memory (ROM) Error
P0607	Control Module Performance
P0638	Throttle Actuator Control Range/Performance (Bank 1)
P0691	Cooling Fan 1 Control Circuit Low
P0692	Cooling Fan 1 Control Circuit High
P0700	Request AT Mil ON
P0851	Neutral Switch Input Circuit Low
P0852	Neutral Switch Input Circuit High
P1152	O ₂ Sensor Circuit Range/Performance (Low) (Bank 1 Sensor 1)
P1153	O ₂ Sensor Circuit Range/Performance (High) (Bank 1 Sensor 1)
P1160	Return Spring Failure
P1400	Fuel Tank Pressure Control Solenoid Valve Circuit Low
P1420	Fuel Tank Pressure Control Solenoid Valve Circuit High
P1491	Positive Crankcase Ventilation (Blow-by) Function Problem
P1518	Starter Switch Circuit Low Input
P1560	Back-up Voltage Circuit Malfunction
P2101	Throttle Actuator Control Motor Circuit Range/Performance
P2102	Throttle Actuator Control Motor Circuit Low
P2109	Throttle/Pedal Position Sensor A Minimum Stop Performance
P2122	Throttle/Pedal Position Sensor/Switch "D" Circuit Low Input
P2123	Throttle/Pedal Position Sensor/Switch "D" Circuit High Input
P2127	Throttle/Pedal Position Sensor/Switch "E" Circuit Low Input
P2128	Throttle/Pedal Position Sensor/Switch "E" Circuit High Input
P2135	Throttle/Pedal Position Sensor/Switch "A" / "B" Voltage Rationality
P2138	Throttle/Pedal Position Sensor/Switch "D" / "E" Voltage Rationality
P2227	Atmospheric Pressure Sensor Circuit Range/Performance
P2228	Atmospheric Pressure Sensor Circuit Malfunction (Low Input)
P2229	Atmospheric Pressure Sensor Circuit Malfunction (High Input)

Inspection Mode

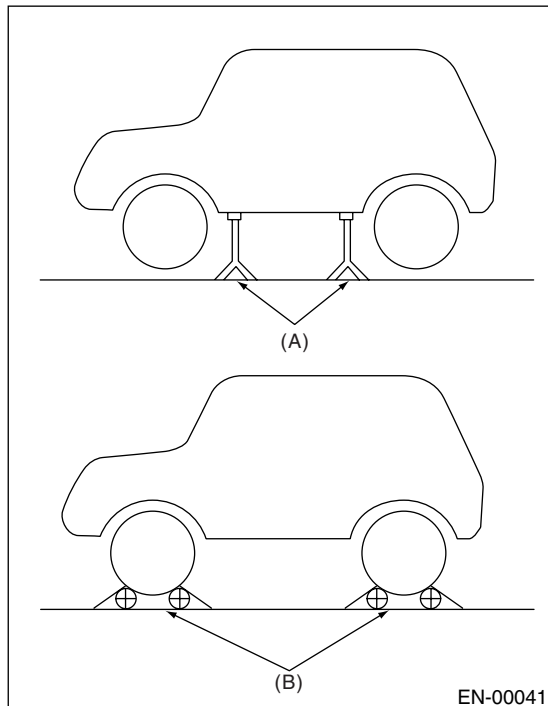
ENGINE (DIAGNOSTICS)

1. PREPARATION FOR THE INSPECTION MODE

- 1) Make sure the fuel remains approx. half amount [20 — 40 ℓ (5.3 — 10.6 US gal, 4.4 — 8.8 Imp gal)] and the battery voltage is 12 V or more.
- 2) Raise the vehicle using a garage jack and place on rigid racks or drive the vehicle onto free rollers.

WARNING:

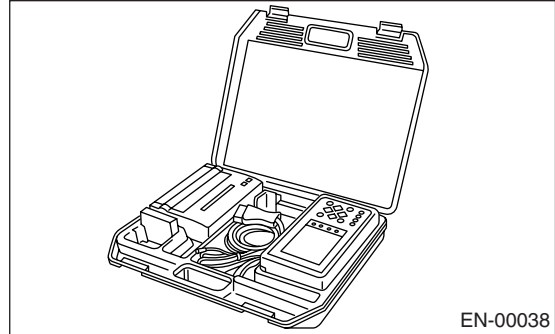
- Before raising the vehicle, ensure the parking brake is applied.
- Do not use a pantograph jack in place of a rigid rack.
- Secure a rope or wire to the front and rear towing or tie-down hooks to prevent the lateral runout of front wheels.
- Do not abruptly depress/release the clutch pedal or accelerator pedal during works even when engine is operating at low speeds since this may cause vehicle to jump off free rollers.
- In order to prevent the vehicle from slipping due to vibration, do not place any wooden blocks or similar items between the rigid racks and the vehicle.
- Since the rear wheels will also rotate, do not place anything near them. Also, make sure nobody goes in front of the vehicle.



- (A) Rigid rack
(B) Free rollers

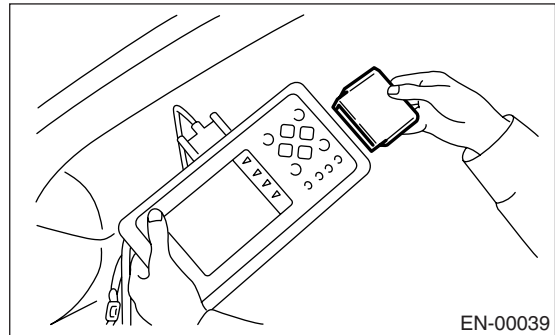
2. SUBARU SELECT MONITOR

- 1) After clearing the memory, check for any remaining unresolved trouble data. <Ref. to EN(H4SO)(diag)-46, Clear Memory Mode.>
- 2) Warm up the engine.
- 3) Prepare the Subaru Select Monitor kit. <Ref. to EN(H4SO)(diag)-7, PREPARATION TOOL, General Description.>



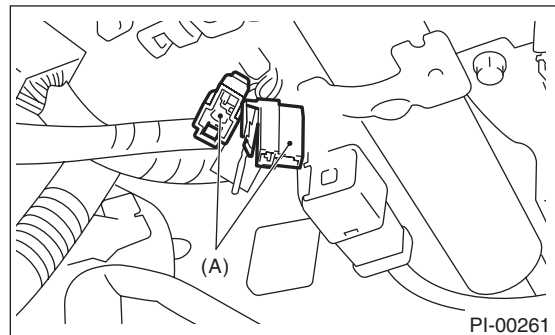
EN-00038

- 4) Connect the diagnosis cable to Subaru Select Monitor.
- 5) Insert the cartridge into Subaru Select Monitor. <Ref. to EN(H4SO)(diag)-7, PREPARATION TOOL, General Description.>



EN-00039

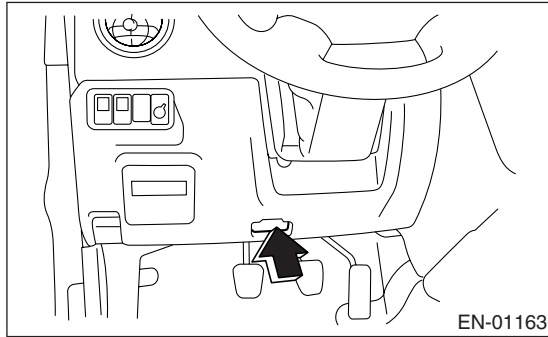
- 6) Connect the test mode connector (A) at the lower portion of instrument panel (on driver's side).



PI-00261

- 7) Connect the Subaru Select Monitor to data link connector.

(1) Data link connector is located in the lower portion of the instrument panel (on the driver's side).

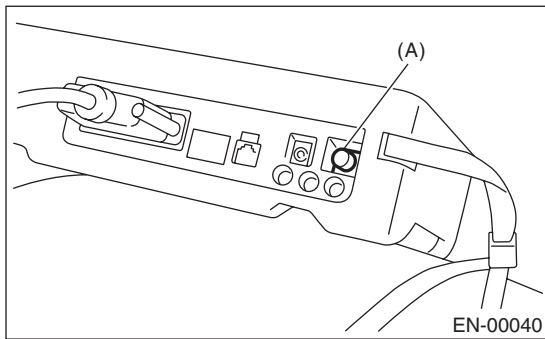


(2) Connect the diagnosis cable to data link connector.

CAUTION:

Do not connect the scan tools except for Subaru Select Monitor and general scan tool.

8) Turn the ignition switch to ON (engine OFF) and Subaru Select Monitor power switch to ON.



(A) Power switch

9) On «Main Menu» display screen, select the {2. Each System Check} and press the [YES] key.

10) On «System Selection Menu» display screen, select the {Engine Control System} and press the [YES] key.

11) Press the [YES] key after the information of engine type is displayed.

12) On «Engine Diagnosis» display screen, select the {Dealer Check Mode Procedure} and press the [YES] key.

13) When the "Perform Inspection (Dealer Check) Mode?" is shown on display screen, press the [YES] key.

14) Perform subsequent procedures as instructed on display screen.

- If trouble still remains in memory, the corresponding DTC appears on display screen.

NOTE:

- For detailed operation procedure, refer to the SUBARU SELECT MONITOR OPERATION MANUAL.

- For details concerning the DTC, refer to the List of Diagnostic Trouble Code (DTC).

<Ref. to EN(H4SO)(diag)-73, List of Diagnostic Trouble Code (DTC).>

- Release the parking brake.

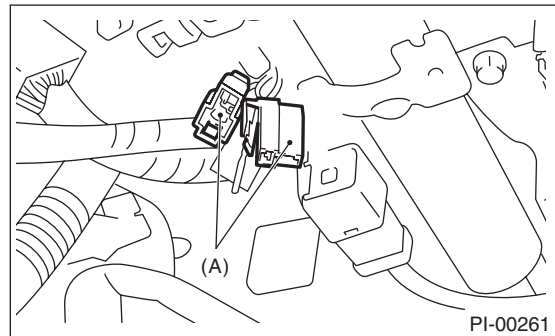
- The speed difference between front and rear wheels may light either the ABS warning light, but this indicates no malfunctions. When the engine control diagnosis is finished, perform the ABS memory clearance procedure of self-diagnosis system.

3. GENERAL SCAN TOOL

1) After clearing memory, check for any remaining unresolved trouble data: <Ref. to EN(H4SO)(diag)-46, Clear Memory Mode.>

2) Warm up the engine.

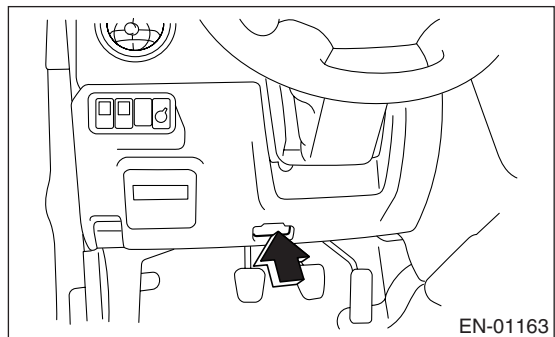
3) Connect the test mode connector (A) at the lower side of instrument panel (on the driver's side).



4) Connect the general scan tool to its data link connector.

CAUTION:

Do not connect the scan tools except for Subaru Select Monitor and general scan tool.



5) Start the engine.

NOTE:

- Ensure the selector lever is placed in "P" position before starting. (AT models)

- Depress the clutch pedal when starting engine. (MT models)

6) Using the selector lever or shift lever, turn the "P" position switch and "N" position switch to ON.

Inspection Mode

ENGINE (DIAGNOSTICS)

7) Depress the brake pedal to turn brake switch ON. (AT models)

8) Keep the engine speed in 2,500 — 3,000 rpm range for 40 seconds.

9) Place the selector lever or shift lever in “D” position (AT models) or “1st” gear (MT models) and drive the vehicle at 5 to 10 km/h (3 to 6 MPH).

NOTE:

- On AWD vehicles, release the parking brake.
- The speed difference between front and rear wheels may light ABS warning light, but this indicates no malfunctions. When the engine control diagnosis is finished, perform the ABS memory clearance procedure of self-diagnosis system.

10) Using the general scan tool, check for DTC and record the result(s).

NOTE:

- For detailed operation procedures, refer to the General Scan Tool Instruction Manual.
- For details concerning DTC, refer to the List of Diagnostic Trouble Code (DTC).

<Ref. to EN(H4SO)(diag)-73, List of Diagnostic Trouble Code (DTC).>

12. Drive Cycle

A: PROCEDURE

There are some drive patterns shown below for the trouble diagnosis. Performing the specified drive pattern allows to diagnose malfunctioning items listed below. After the malfunctioning items listed below are repaired, always check if they correctly resume their functions by performing the required drive pattern.

1. PREPARATION FOR DRIVE CYCLE

- 1) Make sure that the fuel remains approx. half amount [20 — 40 ℓ (5.3 — 10.6 US gal, 4.4 — 8.8 Imp gal)], and battery voltage is 12 V or more.
- 2) After performing the diagnostics and cleaning memory, check for any remaining unresolved trouble data. <Ref. to EN(H4SO)(diag)-46, Clear Memory Mode.>
- 3) Disconnect the test mode connector.

NOTE:

- Except for the water temperature specified items at starting, the diagnosis is carried out after engine warm up.
- Carry out the diagnosis which is marked * on DTC twice, then, after finishing first diagnosis, stop the engine and do second time at the same condition.

2. DRIVE CYCLE A (AFTER RUNNING 20 MINUTES AT 80 KM/H (50 MPH), IDLE ENGINE FOR 1 MINUTE.)

DTC	Item	Condition
*P0125	Insufficient Coolant Temperature for Closed Loop Fuel Control	Coolant temperature at start is less than 20°C (68°F).
*P0128	Coolant Thermostat (Coolant Temperature Below Thermostat Regulating Temperature)	—
*P0133	O ₂ Sensor Circuit Slow Response (Bank 1 Sensor 1)	—
*P0171	System too Lean (Bank 1)	Diagnosis completes in drive cycle B or C as well.
*P0172	System too Rich (Bank 1)	Diagnosis completes in drive cycle B or C as well.
*P0196	Engine Oil Temperature Sensor Circuit Range/Performance	—
*P0301	Cylinder 1 Misfire Detected	Diagnosis completes in drive cycle B or C as well.
*P0302	Cylinder 2 Misfire Detected	Diagnosis completes in drive cycle B or C as well.
*P0303	Cylinder 3 Misfire Detected	Diagnosis completes in drive cycle B or C as well.
*P0304	Cylinder 4 Misfire Detected	Diagnosis completes in drive cycle B or C as well.
*P0420	Catalyst System Efficiency Below Threshold (Bank 1)	—
*P0442	Evaporative Emission Control System Leak Detected (small leak)	Coolant temperature at start is less than 25°C (77°F).
*P0451	Evaporative Emission Control System Pressure Sensor Range/Performance	—
*P0456	Evaporative Emission Control System Leak Detected (very small leak)	Coolant temperature at start is less than 25°C (77°F).
*P0457	Evaporative Emission Control System Leak Detected (fuel cap loose/off)	Coolant temperature at start is less than 25°C (77°F).
*P0459	Evaporative Emission Control System Purge Control Valve Circuit High	—
P1443	Vent Control Solenoid Valve Function Problem	—
*P2096	Post Catalyst Fuel Trim System Too Lean Bank 1	Diagnosis completes in drive cycle B or C as well.
*P2097	Post Catalyst Fuel Trim System Too Rich Bank 1	Diagnosis completes in drive cycle B or C as well.

Drive Cycle

ENGINE (DIAGNOSTICS)

DTC	Item	Condition
P2103	Throttle Actuator Control Motor Circuit High	Diagnosis completes in drive cycle B or C as well.

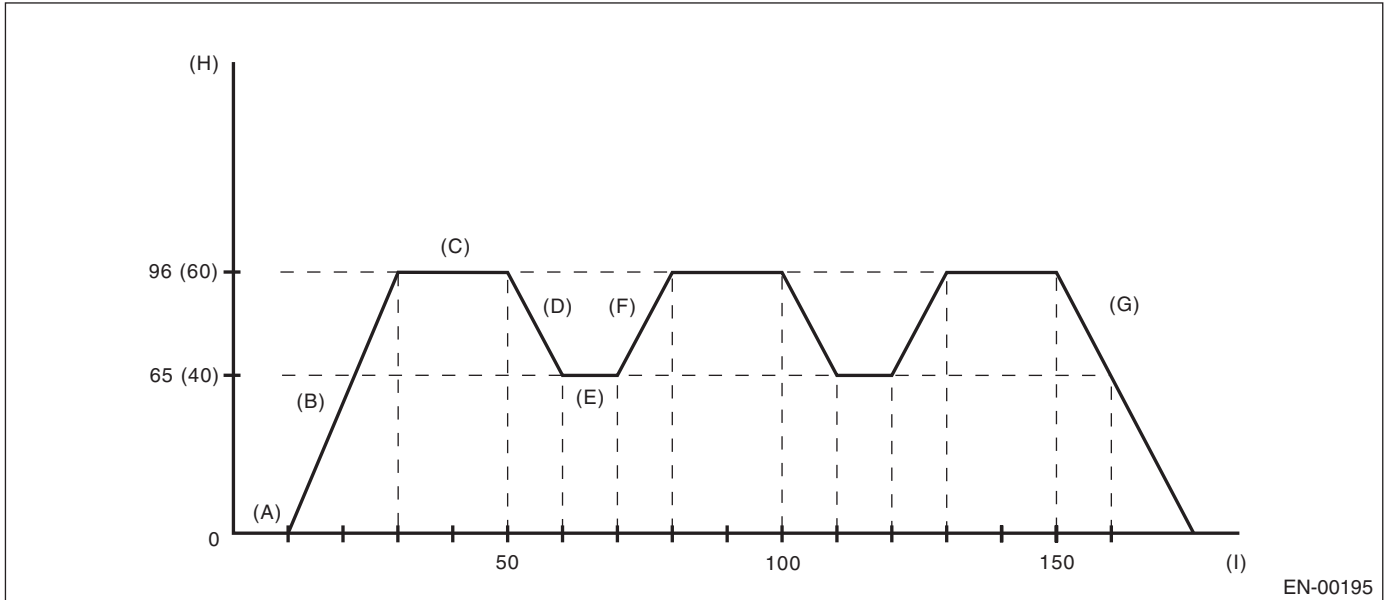
3. DRIVE CYCLE B (TEN MINUTES IDLING)

NOTE:

Drive the vehicle at 10 km/h (6 MPH) or more before diagnosis.

DTC	Item	Condition
*P0126	Insufficient Coolant Temperature for Stable Operation	—
*P0171	System Too Lean (Bank 1)	Diagnosis completes in drive cycle A or C as well.
*P0172	System Too Rich (Bank 1)	Diagnosis completes in drive cycle A or C as well.
*P0301	Cylinder 1 Misfire Detected	Diagnosis completes in drive cycle A or C as well.
*P0302	Cylinder 2 Misfire Detected	Diagnosis completes in drive cycle A or C as well.
*P0303	Cylinder 3 Misfire Detected	Diagnosis completes in drive cycle A or C as well.
*P0304	Cylinder 4 Misfire Detected	Diagnosis completes in drive cycle A or C as well.
*P0464	Fuel Level Sensor Circuit Intermittent	—
*P0483	Cooling Fan Rationality Check	—
*P0506	Idle Control System RPM Lower Than Expected	—
*P0507	Idle Control System RPM Higher Than Expected	—
*P2096	Post Catalyst Fuel Trim System Too Lean Bank 1	Diagnosis completes in drive cycle A or C as well.
*P2097	Post Catalyst Fuel Trim System Too Rich Bank 1	Diagnosis completes in drive cycle A or C as well.
P2103	Throttle Actuator Control Motor Circuit High	Diagnosis completes in drive cycle A or C as well.

4. DRIVE CYCLE C (DRIVE ACCORDING TO THE FOLLOWING DRIVE PATTERN)



EN-00195

- | | | |
|--|---|--|
| (A) Idle engine for 1 minute. | (E) Drive vehicle at 65 km/h (40 MPH) for 10 seconds. | (G) Stop vehicle with throttle fully closed. |
| (B) Accelerate to 96 km/h (60 MPH) within 20 seconds. | (F) Accelerate to 96 km/h (60 MPH) within 10 seconds. | (H) Vehicle speed km/h (MPH) |
| (C) Drive vehicle at 96 km/h (60 MPH) for 20 seconds. | | (I) Seconds |
| (D) Decelerate with fully closed throttle to 65 km/h (40 MPH). | | |

DTC	Item	Condition
P0026	Intake Valve Control Solenoid Circuit Range/Performance (Bank 1)	—
P0028	Intake Valve Control Solenoid Circuit Range/Performance (Bank 2)	—
*P0030	HO2S Heater Control Circuit (Bank 1 Sensor 1)	—
*P0068	Manifold Absolute Pressure/Barometric Pressure Circuit Range/Performance Problem	—
P0076	Intake Valve Control Solenoid Circuit Low (Bank 1)	—
P0082	Intake Valve Control Solenoid Circuit Low (Bank 2)	—
*P0101	Mass or Volume Air Flow Circuit Range/Performance	—
*P0134	O ₂ Sensor Circuit No Activity Detected (Bank 1 Sensor 1)	—
*P0139	O ₂ Sensor Circuit Slow Response (Bank 1 Sensor 2)	—
*P0171	System too Lean (Bank 1)	Diagnosis completes in drive cycle A or B as well.
*P0172	System too Rich (Bank 1)	Diagnosis completes in drive cycle A or B as well.
*P0301	Cylinder 1 Misfire Detected	Diagnosis completes in drive cycle A or B as well.
*P0302	Cylinder 2 Misfire Detected	Diagnosis completes in drive cycle A or B as well.
*P0303	Cylinder 3 Misfire Detected	Diagnosis completes in drive cycle A or B as well.
*P0304	Cylinder 4 Misfire Detected	Diagnosis completes in drive cycle A or B as well.
*P0400	Exhaust Gas Recirculation	—
P1492	EGR Solenoid Valve Signal #1 Circuit Malfunction (Low Input)	—
P1493	EGR Solenoid Valve Signal #1 Circuit Malfunction (High Input)	—

Drive Cycle

ENGINE (DIAGNOSTICS)

DTC	Item	Condition
P1494	EGR Solenoid Valve Signal #2 Circuit Malfunction (Low Input)	—
P1495	EGR Solenoid Valve Signal #2 Circuit Malfunction (High Input)	—
P1496	EGR Solenoid Valve Signal #3 Circuit Malfunction (Low Input)	—
P1497	EGR Solenoid Valve Signal #3 Circuit Malfunction (High Input)	—
P1498	EGR Solenoid Valve Signal #4 Circuit Malfunction (Low Input)	—
P1499	EGR Solenoid Valve Signal #5 Circuit Malfunction (High Input)	—
*P2096	Post Catalyst Fuel Trim System Too Lean Bank 1	Diagnosis completes in drive cycle A or B as well.
*P2097	Post Catalyst Fuel Trim System Too Rich Bank 1	Diagnosis completes in drive cycle A or B as well.
P2103	Throttle Actuator Control Motor Circuit High	Diagnosis completes in drive cycle A or B as well.

5. DRIVE CYCLE D

• DRIFT DIAGNOSIS

- 1) Make sure that the engine coolant temperature at engine starting is less than 30°C (86°F).
- 2) Make sure that fuel of more than 9.0 ℓ (2.4 US gal, 2.0 Imp gal) remains and the battery voltage is more than 10.9 V.
- 3) Make sure that the engine coolant temperature rises for more than 10°C (50°F) from the level of engine starting and is also more than 75°C (167°F).
- 4) Idle the engine for more than 120 seconds in the condition of step 3).

• STUCK DIAGNOSIS

- 1) Make sure that the battery voltage is more than 10.9 V.
- 2) Perform the clear memory mode. <Ref. to EN(H4SO)(diag)-46, Clear Memory Mode.>
- 3) Drive the vehicle for the distance equal to fuel of 50 ℓ (13.2 US gal, 11 Imp gal).

NOTE:

- It is possible to drive intermittently.
- Do not disconnect the terminal of battery during diagnosis. (If disconnecting the terminal of battery, the data will be cleared.)

DTC	Item	Condition
P0181	Fuel Temperature Sensor "A" Circuit Range/Performance	—

6. DRIVE CYCLE E

- 1) Make sure that the battery voltage is more than 10.9 V.
- 2) Perform the clear memory mode. <Ref. to EN(H4SO)(diag)-46, Clear Memory Mode.>
- 3) Drive the vehicle for the distance equal to fuel of 30 ℓ (7.9 US gal, 6.6 Imp gal).

NOTE:

- It is possible to drive intermittently.
- Do not disconnect the terminal of battery during diagnosis. (If disconnecting the terminal of battery, the data will be cleared.)

DTC	Item	Condition
P0461	Fuel Level Sensor Circuit Range/Performance	—

7. DRIVE CYCLE F

- 1) Make sure that the engine coolant temperature at engine starting is less than 30°C (86°F).
- 2) Warm-up the engine until the engine coolant temperature is more than 95°C (203°F) from engine starting.
- 3) Idle the engine for more than 10 minutes in the condition of step 2).

NOTE:

Do not disconnect the terminal of battery during diagnosis. (If disconnecting the terminal of battery, the data will be cleared.)

DTC	Item	Condition
P0111	Intake Air Temperature Circuit Range/Performance	—

13. Clear Memory Mode

A: OPERATION

1. SUBARU SELECT MONITOR (NORMAL MODE)

- 1) On «Main Menu» display screen, select the {2. Each System Check} and press the [YES] key.
- 2) On «System Selection Menu» display screen, select the {Engine Control System} and press the [YES] key.
- 3) Press the [YES] key after the information of engine type is displayed.
- 4) On «Engine Diagnosis» display screen, select the {Clear Memory} and press the [YES] key.
- 5) When the 'Done' and 'Turn Ignition Switch OFF' are shown on display screen, turn the ignition switch to OFF, and then turn the Subaru Select Monitor to OFF.

NOTE:

For detailed operation procedure, refer to SUBARU SELECT MONITOR OPERATION MANUAL.

2. SUBARU SELECT MONITOR (OBD MODE)

- 1) On «Main Menu» display screen, select the {2. Each System Check} and press the [YES] key.
- 2) On «System Selection Menu» display screen, select the {Engine Control System} and press the [YES] key.
- 3) Press the [YES] key after the information of engine type is displayed.
- 4) On «Engine Diagnosis» display screen, select the {OBD System} and press the [YES] key.
- 5) On «OBD Menu» display screen, select the {4. Diagnosis Code(s) Cleared} and press the [YES] key.
- 6) When the 'Clear Diagnostic Code?' is shown on the display screen, press the [YES] key.
- 7) Turn the Subaru Select Monitor and ignition switch to OFF.

NOTE:

For detailed operation procedure, refer to SUBARU SELECT MONITOR OPERATION MANUAL.

3. GENERAL SCAN TOOL

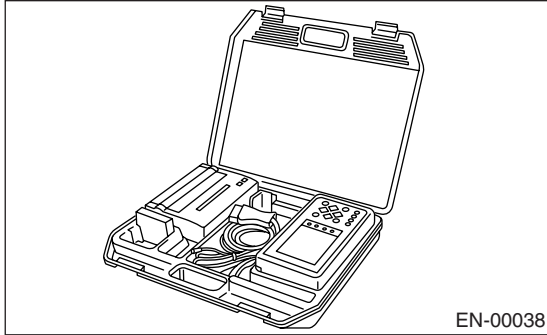
For clear memory procedures using the general scan tool, refer to General Scan Tool Instruction Manual.

After the memory has been cleared, the idle air control solenoid valve must be initialized. To do this, turn the ignition switch to ON position. Wait 3 seconds before starting the engine.

14. Compulsory Valve Operation Check Mode

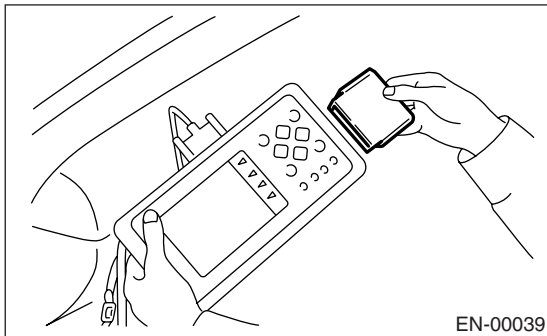
A: OPERATION

1) Prepare the Subaru Select Monitor kit. <Ref. to EN(H4SO)(diag)-7, PREPARATION TOOL, General Description.>

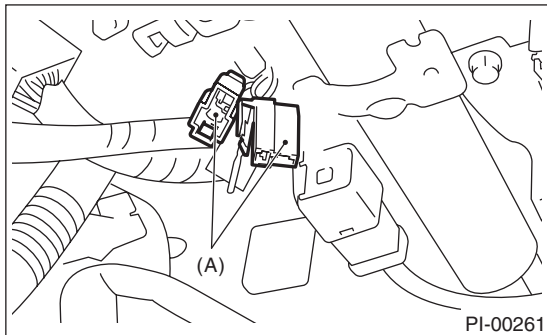


2) Connect the diagnosis cable to Subaru Select Monitor.

3) Insert the cartridge into Subaru Select Monitor. <Ref. to EN(H4SO)(diag)-7, PREPARATION TOOL, General Description.>

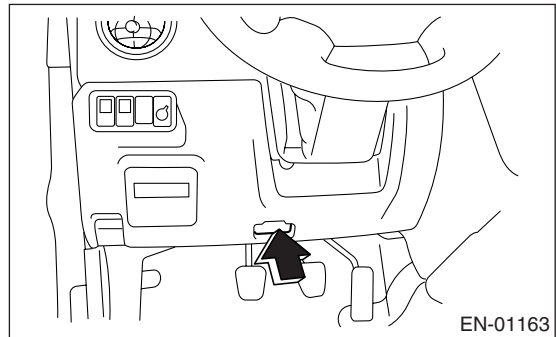


4) Connect the test mode connector (A) at the lower portion of instrument panel (on driver's side).



5) Connect the Subaru Select Monitor to data link connector.

(1) Data link connector is located in the lower portion of instrument panel (on driver's side).

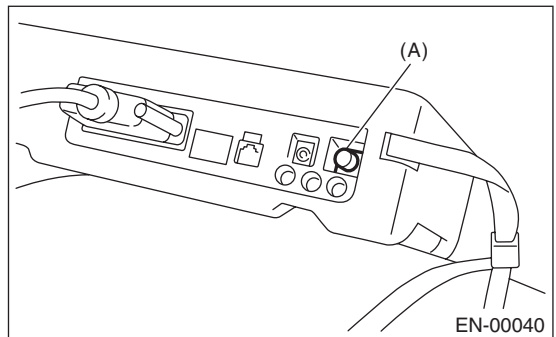


(2) Connect the diagnosis cable to data link connector.

CAUTION:

Do not connect scan tools except for Subaru Select Monitor and general scan tool.

6) Turn the ignition switch to ON (engine OFF) and Subaru Select Monitor power switch to ON.



(A) Power switch

7) On «Main Menu» display screen, select the {2. Each System Check} and press the [YES] key.

8) On «System Selection Menu» display screen, select the {Engine Control System} and press the [YES] key.

9) Press the [YES] key after the information of engine type is displayed.

10) On «Engine Diagnosis» display screen, select the {System Operation Check Mode} and press the [YES] key.

11) On «System Operation Check Mode» display screen, select the {Actuator ON/OFF Operation} and press the [YES] key.

12) Select the desired compulsory actuator on the «Actuator ON/OFF Operation» display screen and press the [YES] key.

13) Pressing the [NO] key completes the compulsory valve operation check mode. The display will then return to the «Actuator ON/OFF Operation» screen.

Compulsory Valve Operation Check Mode

ENGINE (DIAGNOSTICS)

- A list of support data is shown in the following table.

Contents	Display
Compulsory fuel pump relay operation check	Fuel Pump Relay
Compulsory radiator fan relay operation check	Radiator Fan Relay
Compulsory air conditioning relay operation check	A/C Compressor Relay
Compulsory purge control solenoid valve operation check	CPC Solenoid Valve
Compulsory pressure control solenoid valve operation check	PCV Solenoid Valve
Compulsory air assist vent control solenoid valve operation check	Vent Control Solenoid Valve

NOTE:

- The following parts will be displayed but not functional.

Display
EGR Solenoid Valve
ASV Solenoid Valve
FICD Solenoid
Pressure Switching Sol. 1
Pressure Switching Sol. 2
Turbocharger Wastegate Solenoid
AAI Solenoid
Emission-bypass valve permission flag

- For detailed operation procedure, refer to SUBARU SELECT MONITOR OPERATION MANUAL.

15. Malfunction Indicator Light

A: PROCEDURE

1. Activation of malfunction indicator light. <Ref. to EN(H4SO)(diag)-49, ACTIVATION OF MALFUNCTION INDICATOR LIGHT, Malfunction Indicator Light.>
↓
2. Malfunction indicator light does not come on. <Ref. to EN(H4SO)(diag)-51, MALFUNCTION INDICATOR LIGHT DOES NOT COME ON, Malfunction Indicator Light.>
↓
3. Malfunction indicator light does not go off. <Ref. to EN(H4SO)(diag)-53, MALFUNCTION INDICATOR LIGHT DOES NOT GO OFF., Malfunction Indicator Light.>
↓
4. Malfunction indicator light does not blink at a cycle of 3 Hz. <Ref. to EN(H4SO)(diag)-54, MALFUNCTION INDICATOR LIGHT DOES NOT BLINK AT A CYCLE OF 3 HZ., Malfunction Indicator Light.>
↓
5. Malfunction indicator light remains blinking at a cycle of 3 Hz. <Ref. to EN(H4SO)(diag)-56, MALFUNCTION INDICATOR LIGHT REMAINS BLINKING AT A CYCLE OF 3 HZ., Malfunction Indicator Light.>

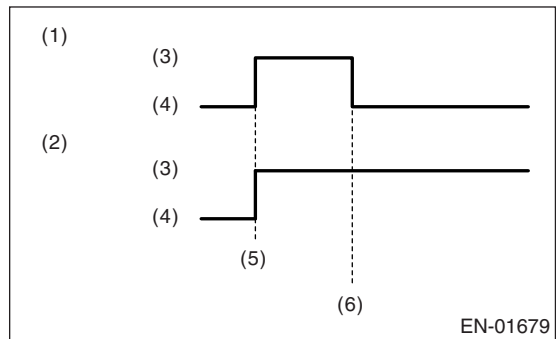
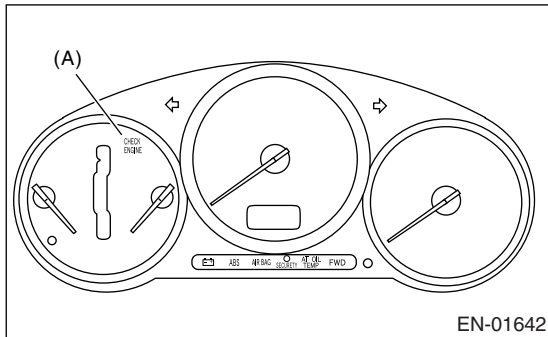
B: ACTIVATION OF MALFUNCTION INDICATOR LIGHT

1) When the ignition switch is turned to ON (engine off), the malfunction indicator light (A) in the combination meter illuminates.

NOTE:

If the malfunction indicator light does not illuminate, perform diagnostics of the malfunction indicator light circuit or the combination meter circuit. <Ref. to EN(H4SO)(diag)-51, MALFUNCTION INDICATOR LIGHT DOES NOT COME ON, Malfunction Indicator Light.>

2) After starting the engine, the malfunction indicator light goes out. If it does not, either the engine or the emission control system is malfunctioning.

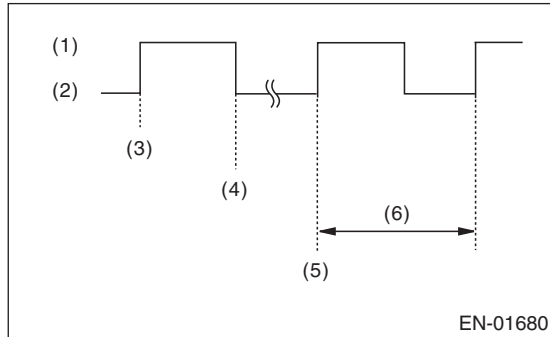


- (1) No trouble
- (2) Trouble occurs
- (3) ON
- (4) OFF
- (5) Ignition switch ON
- (6) Engine start

Malfunction Indicator Light

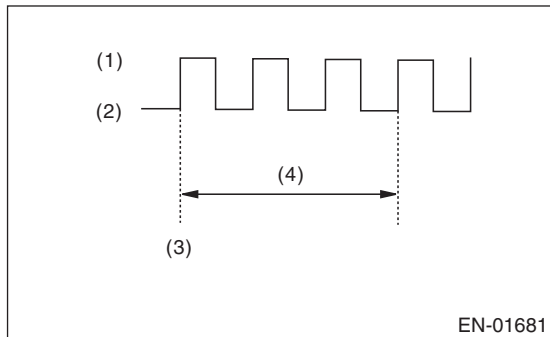
ENGINE (DIAGNOSTICS)

3) If the diagnosis system detects a misfire which could damage the catalyst, the malfunction indicator light blink at a cycle of 1 Hz.



- (1) ON
- (2) OFF
- (3) Ignition switch ON
- (4) Engine start
- (5) Misfire start
- (6) 1 second

4) When the ignition switch is turned to ON (engine off) or to "START" with test mode connector connected, the malfunction indicator light blinks at a cycle of 3 Hz.



- (1) ON
- (2) OFF
- (3) Ignition switch ON
- (4) 1 second

C: MALFUNCTION INDICATOR LIGHT DOES NOT COME ON

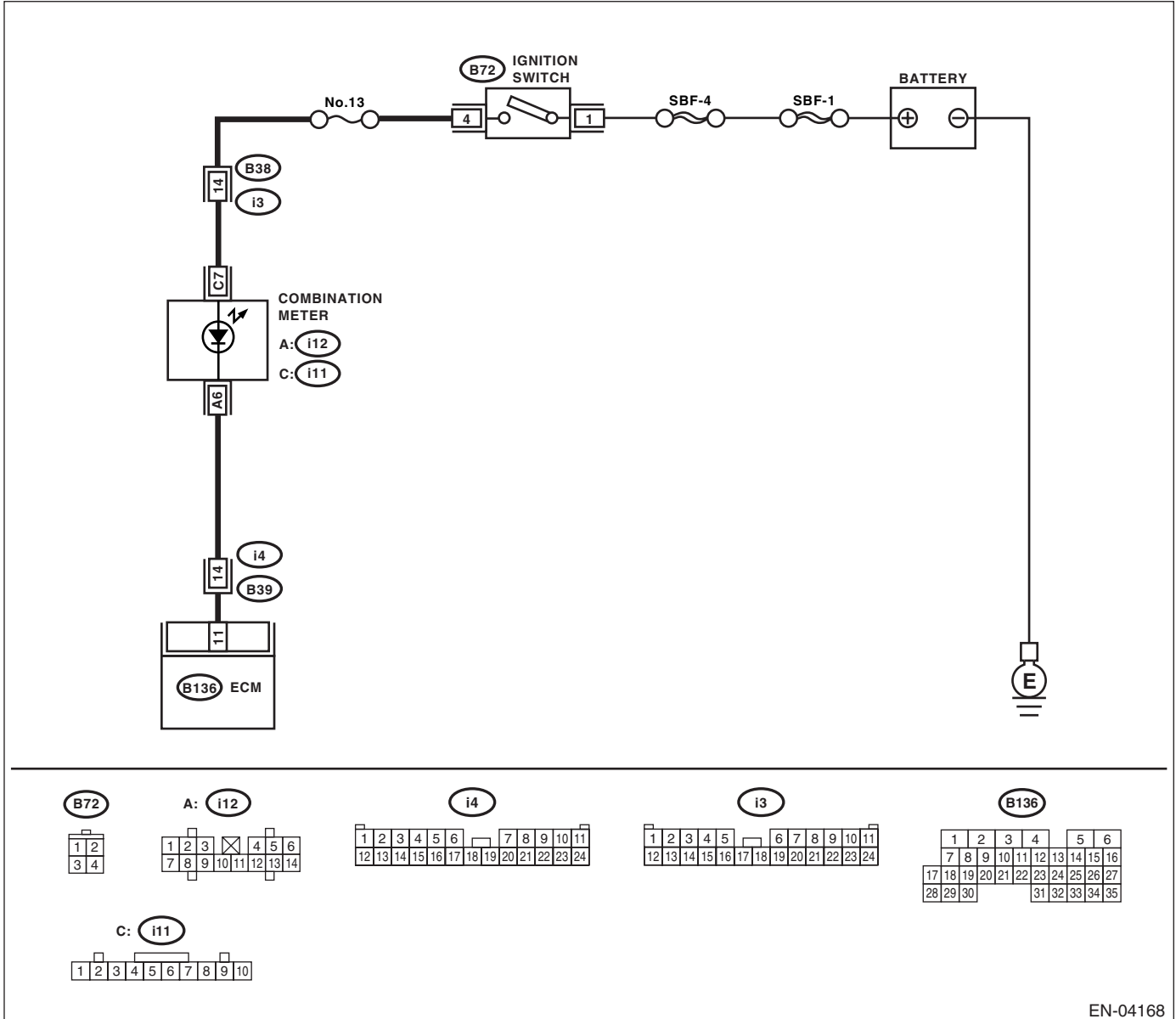
DIAGNOSIS:

The malfunction indicator light circuit is open or shorted.

TROUBLE SYMPTOM:

When the ignition switch is turned ON (engine OFF), malfunction indicator light does not come on.

WIRING DIAGRAM:



Malfunction Indicator Light

ENGINE (DIAGNOSTICS)

Step	Check	Yes	No
1 CHECK OUTPUT SIGNAL FROM ECM. 1) Turn the ignition switch to ON. 2) Measure the voltage between ECM connector and chassis ground. Connector & terminal (B136) No. 11 (+) — Chassis ground (-):	Is the voltage less than 1 V?	Go to step 4.	Go to step 2.
2 CHECK POOR CONTACT. Check poor contact by shaking or pulling ECM connector and harness.	Does the malfunction indicator light illuminate?	Repair poor contact in ECM connector.	Go to step 3.
3 CHECK ECM CONNECTOR. Check the ECM connector connection.	Is the ECM connector correctly connected?	Replace the ECM. <Ref. to FU(H4SO)-38, Engine Control Module (ECM).>	Repair connection of ECM connector.
4 CHECK HARNESS BETWEEN COMBINATION METER AND ECM CONNECTOR. 1) Turn the ignition switch to OFF. 2) Remove the combination meter. <Ref. to IDI-10, Combination Meter.> 3) Disconnect the connector from ECM and combination meter. 4) Measure the resistance of harness between ECM and combination meter connector. Connector & terminal (B136) No. 11 — (i12) No. 6:	Is the resistance less than 1 Ω ?	Go to step 5.	Repair harness and connector. NOTE: In this case, repair the following: <ul style="list-style-type: none"> • Open circuit in harness between ECM and combination meter connector • Poor contact in coupling connector
5 CHECK POOR CONTACT. Check poor contact in combination meter connector.	Is there poor contact in combination meter connector?	Repair poor contact in combination meter connector.	Go to step 6.
6 CHECK HARNESS BETWEEN COMBINATION METER AND IGNITION SWITCH CONNECTOR. 1) Turn the ignition switch to ON. 2) Measure the voltage between combination meter connector and chassis ground. Connector & terminal (i11) No. 7 (+) — Chassis ground (-):	Is the voltage more than 10 V?	Replace the combination meter circuit board. <Ref. to IDI-10, Combination Meter.>	Check the following and repair if necessary. NOTE: <ul style="list-style-type: none"> • Blown out fuse (No. 13) • Open or short circuit in harness between fuse (No. 13) and battery terminal • Poor contact in ignition switch connector

D: MALFUNCTION INDICATOR LIGHT DOES NOT GO OFF.

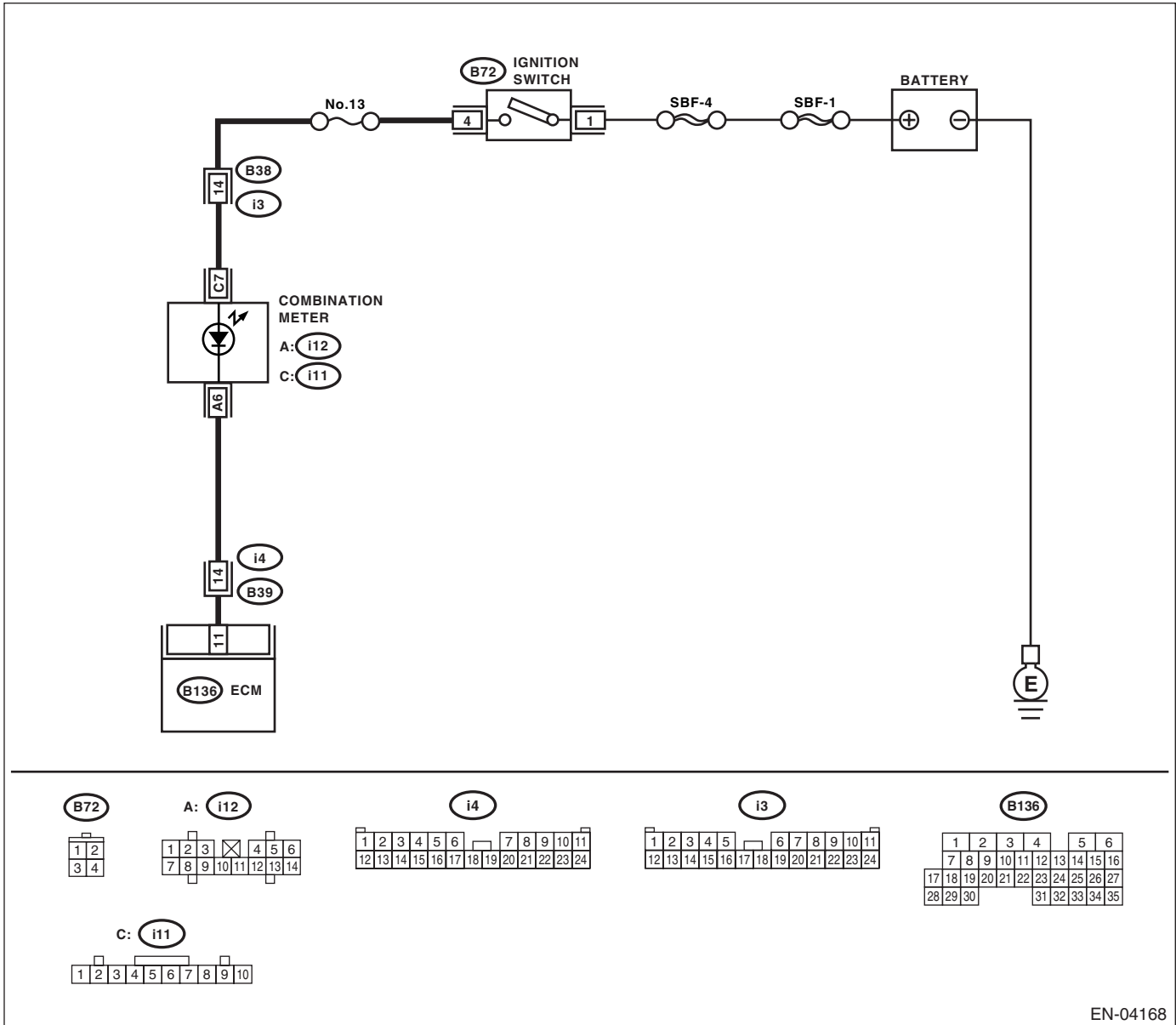
DIAGNOSIS:

The malfunction indicator light circuit is shorted.

TROUBLE SYMPTOM:

Although malfunction indicator light comes on when the engine runs, DTC is not shown on Subaru select monitor or general scan tool display.

WIRING DIAGRAM:



Step	Check	Yes	No	
1	CHECK HARNESS BETWEEN COMBINATION METER AND ECM CONNECTOR. 1) Turn the ignition switch to OFF. 2) Disconnect the connector from ECM. 3) Turn the ignition switch to ON.	Does the malfunction indicator light illuminate?	Repair short circuit in harness between combination meter and ECM connector.	Replace the ECM. <Ref. to FU(H4SO)-38, Engine Control Module (ECM).>

Malfunction Indicator Light

ENGINE (DIAGNOSTICS)

E: MALFUNCTION INDICATOR LIGHT DOES NOT BLINK AT A CYCLE OF 3 Hz.

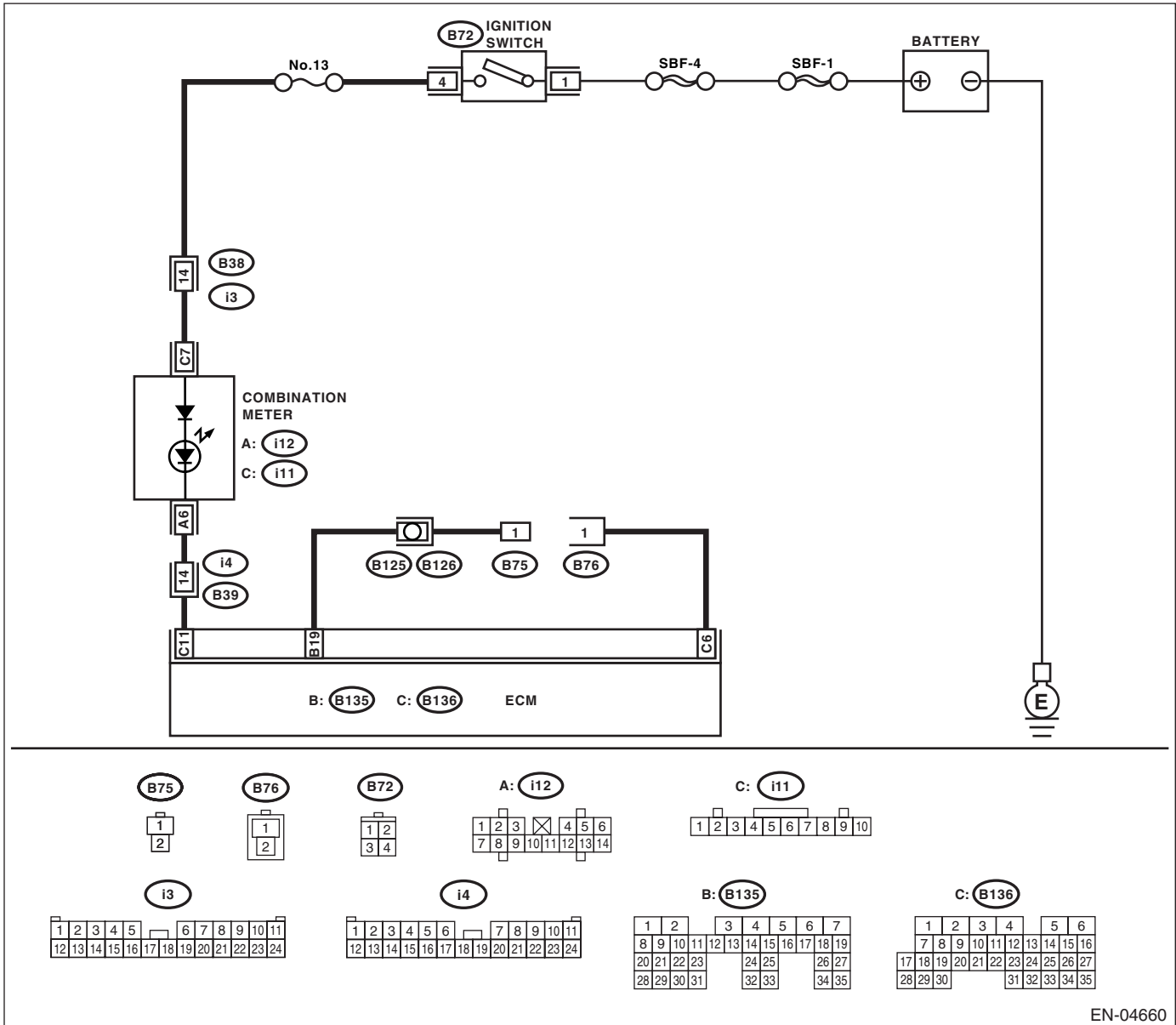
DIAGNOSIS:

- The malfunction indicator light circuit is open or shorted.
- Test mode connector circuit is in open.

TROUBLE SYMPTOM:

When in inspection mode, malfunction indicator light does not blink at a cycle of 3 Hz.

WIRING DIAGRAM:



EN-04660

Malfunction Indicator Light

ENGINE (DIAGNOSTICS)

Step	Check	Yes	No
1 CHECK STATUS OF MALFUNCTION INDICATOR LIGHT. 1) Turn the ignition switch to OFF. 2) Disconnect the test mode connector. 3) Turn the ignition switch to ON. (engine OFF)	Does the malfunction indicator light illuminate?	Go to step 2.	Repair the malfunction indicator light circuit. <Ref. to EN(H4SO)(diag)-51, MALFUNCTION INDICATOR LIGHT DOES NOT COME ON, Malfunction Indicator Light.>
2 CHECK HARNESS BETWEEN COMBINATION METER AND ECM CONNECTOR. 1) Turn the ignition switch to OFF. 2) Disconnect the connector from ECM. 3) Turn the ignition switch to ON.	Does the malfunction indicator light illuminate?	Repair ground short circuit in harness between combination meter and ECM connector.	Go to step 3.
3 CHECK HARNESS BETWEEN TEST MODE CONNECTOR AND ECM. 1) Turn the ignition switch to OFF. 2) Disconnect the connector from ECM. 3) Measure the resistance of harness between test mode connector and ECM. Connector & terminal (B76) No. 1 — (B136) No. 6:	Is the resistance less than 1 Ω ?	Go to step 4.	Repair the open circuit in harness between test mode connector and ECM.
4 CHECK POOR CONTACT. Check poor contact in ECM connector.	Is there poor contact in ECM connector?	Repair poor contact in ECM connector.	Go to step 5.
5 CHECK HARNESS BETWEEN ECM AND TEST MODE CONNECTOR. Measure the resistance of harness between ECM and test mode connector. Connector & terminal (B135) No. 19 — (B75) No. 1:	Is the resistance less than 1 Ω ?	Go to step 6.	Repair the open circuit in harness between ECM and test mode connector.
6 CHECK POOR CONTACT. Check poor contact in ECM connector.	Is there poor contact in ECM connector?	Repair poor contact in ECM connector.	Replace the ECM. <Ref. to FU(H4SO)-38, Engine Control Module (ECM).>

Malfunction Indicator Light

ENGINE (DIAGNOSTICS)

F: MALFUNCTION INDICATOR LIGHT REMAINS BLINKING AT A CYCLE OF 3 Hz.

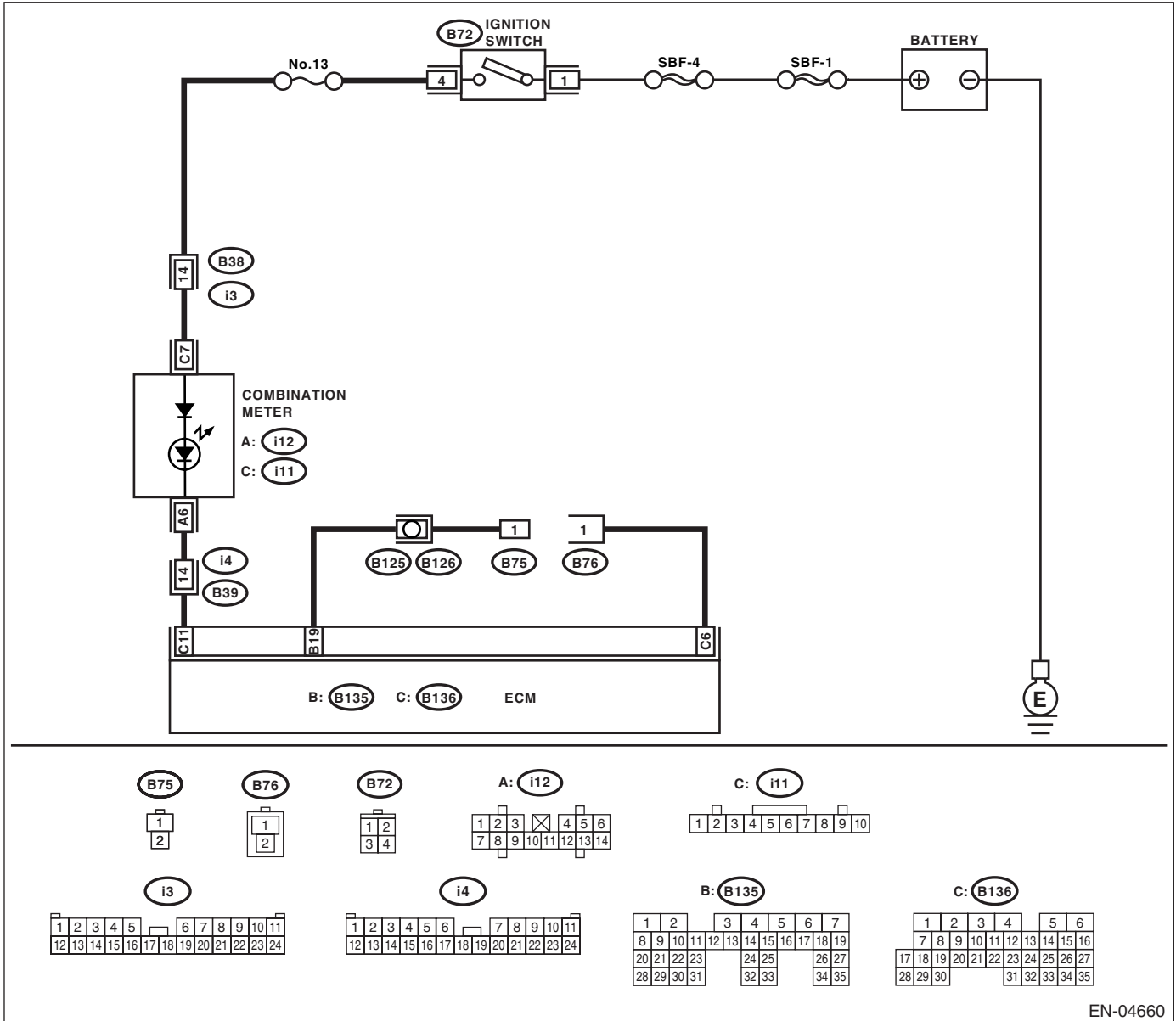
DIAGNOSIS:

Test mode connector circuit is shorted.

TROUBLE SYMPTOM:

Malfunction indicator light blinks at a cycle of 3 Hz when the ignition switch is turned to ON.

WIRING DIAGRAM:



EN-04660

Malfunction Indicator Light

ENGINE (DIAGNOSTICS)

Step	Check	Yes	No
1 CHECK TEST MODE CONNECTOR. 1) Disconnect the test mode connector. 2) Turn the ignition switch to ON.	Does the malfunction indicator light blink?	Go to step 2.	System is in good order. NOTE: Malfunction indicator light blinks at a cycle of 3 Hz when test mode connector is connected.
2 CHECK HARNESS BETWEEN ECM CONNECTOR AND ENGINE GROUNDING TERMINAL. 1) Turn the ignition switch to OFF. 2) Disconnect the connector from ECM. 3) Measure the resistance of harness between ECM connector and chassis ground. Connector & terminal (B135) No. 19 — Chassis ground:	Is the resistance less than 5 Ω ?	Repair short circuit in harness between ECM and test mode connector.	Replace the ECM. <Ref. to FU(H4SO)-38, Engine Control Module (ECM).>

Diagnostics for Engine Starting Failure

ENGINE (DIAGNOSTICS)

16. Diagnostics for Engine Starting Failure

A: PROCEDURE

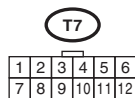
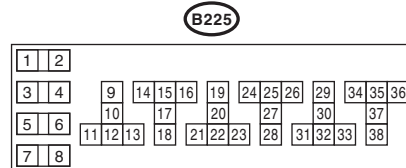
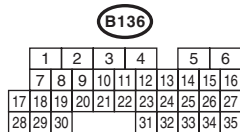
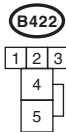
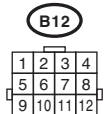
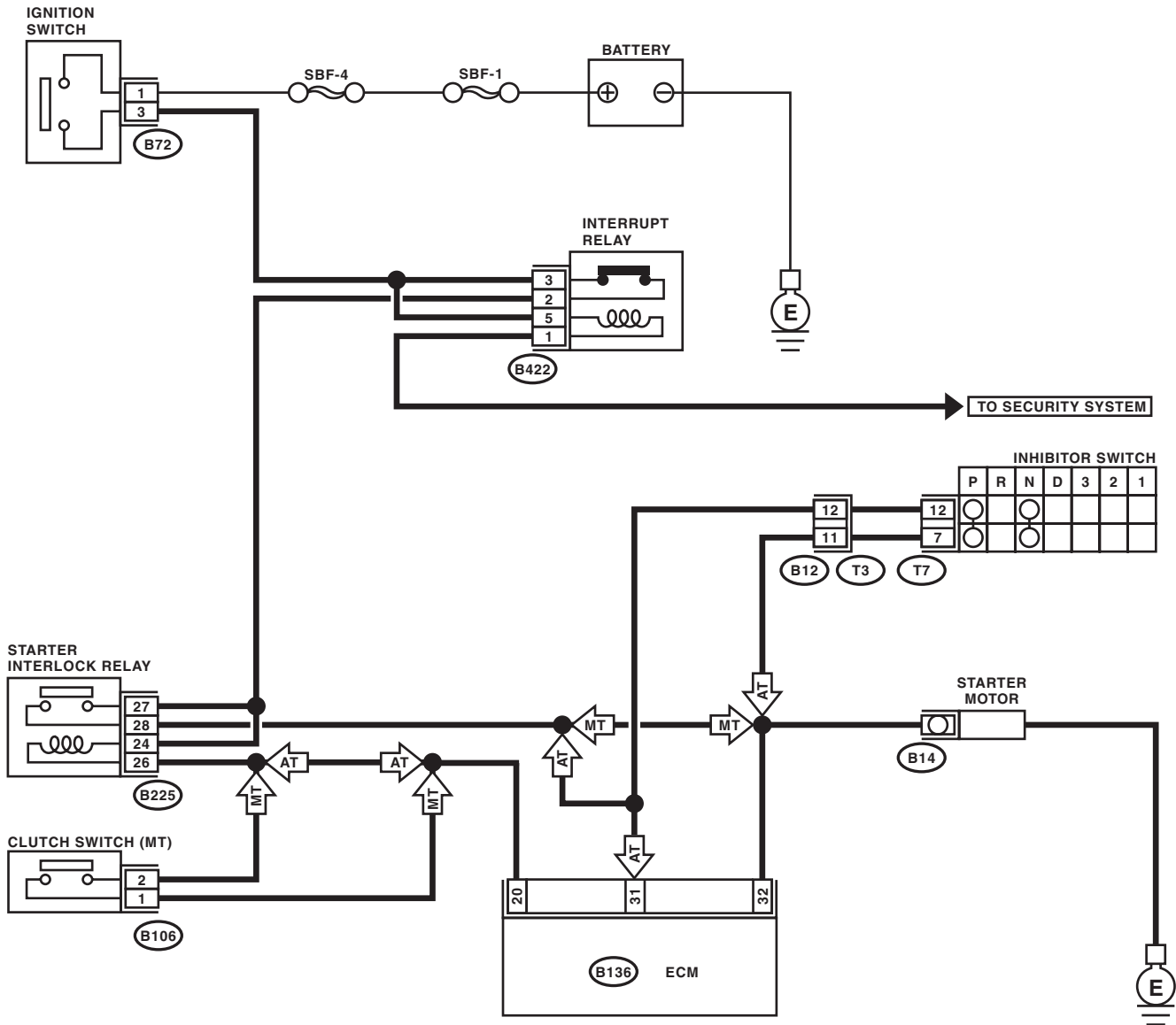
1. Check the fuel level.
↓
2. Inspection of starter motor circuit. <Ref. to EN(H4SO)(diag)-59, STARTER MOTOR CIRCUIT, Diagnostics for Engine Starting Failure.>
↓
3. Inspection of ECM power supply and ground line. <Ref. to EN(H4SO)(diag)-63, CHECK POWER SUPPLY AND GROUND LINE OF ENGINE CONTROL MODULE (ECM), Diagnostics for Engine Starting Failure.>
↓
4. Inspection of ignition control system. <Ref. to EN(H4SO)(diag)-65, IGNITION CONTROL SYSTEM, Diagnostics for Engine Starting Failure.>
↓
5. Inspection of fuel pump circuit. <Ref. to EN(H4SO)(diag)-68, FUEL PUMP CIRCUIT, Diagnostics for Engine Starting Failure.>
↓
6. Inspection of fuel injector circuit. <Ref. to EN(H4SO)(diag)-71, FUEL INJECTOR CIRCUIT, Diagnostics for Engine Starting Failure.>

B: STARTER MOTOR CIRCUIT

CAUTION:

After repair or replacement of faulty parts, conduct Clear Memory Mode <Ref. to EN(H4SO)(diag)-46, OPERATION, Clear Memory Mode.> and Inspection Mode <Ref. to EN(H4SO)(diag)-36, PROCEDURE, Inspection Mode.>.

WIRING DIAGRAM:



EN-04637

Diagnostics for Engine Starting Failure

ENGINE (DIAGNOSTICS)

Step	Check	Yes	No	
1	CHECK BATTERY. Check the battery voltage.	Is the voltage more than 12 V?	Go to step 2.	Charge or replace the battery.
2	CHECK OPERATION OF STARTER MOTOR.	Does the starter motor operate?	Go to step 3.	Go to step 4.
3	CHECK DTC.	Is the DTC displayed? <Ref. to EN(H4SO)(diag)-35, OPERATION, Read Diagnostic Trouble Code (DTC).>	Using the List of Diagnostic Trouble Code (DTC), check the appropriate DTC. <Ref. to EN(H4SO)(diag)-73, List of Diagnostic Trouble Code (DTC).>	Repair the poor contact in ECM connector.
4	CHECK INPUT SIGNAL FOR STARTER MOTOR. 1) Turn the ignition switch to OFF. 2) Disconnect the connector from starter motor. 3) Turn the ignition switch to START. 4) Measure the power supply voltage between starter motor connector terminal and engine ground. Connector & terminal (B14) No. 1 (+) — Engine ground (-): NOTE: • On AT models, place the select lever in the "P" or "N" range. • On MT models, depress the clutch pedal.	Is the voltage more than 10 V?	Check the starter motor. <Ref. to SC(H4SO)-8, Starter.>	Go to step 5.
5	CHECK HARNESS BETWEEN BATTERY AND IGNITION SWITCH CONNECTOR. 1) Disconnect the connector from ignition switch. 2) Measure the power supply voltage between ignition switch connector and chassis ground. Connector & terminal (B72) No. 1 (+) — Chassis ground (-):	Is the voltage more than 10 V?	Go to step 6.	Repair open circuit in harness between ignition switch and battery, and check fuse SBF No. 4 and SBF No. 1.
6	CHECK IGNITION SWITCH. 1) Disconnect the connector from ignition switch. 2) Measure the resistance between ignition switch terminals while turning ignition switch to the START position. Terminals (B72) No. 1 — No. 3:	Is the resistance less than 5 Ω?	Go to step 7.	Replace the ignition switch.
7	CHECK TRANSMISSION TYPE.	Is the target AT model?	Go to step 8.	Go to step 12.
8	CHECK INPUT VOLTAGE OF STARTER INTERLOCK RELAY. 1) Turn ignition switch to OFF. 2) Disconnect the connector from starter interlock relay. 3) Connect the connector to ignition switch. 4) Measure the input voltage between starter interlock relay connector and chassis ground while turning ignition switch to START. Connector & terminal (B225) No. 24 (+) — Chassis ground (-): (B225) No. 27 (+) — Chassis ground (-):	Is the voltage more than 10 V?	Go to step 9.	Repair open or short circuit to ground in harness between starter interlock relay and ignition switch. NOTE: Check security system (if equipped). <Ref. to SL-21, Security System.>

Diagnostics for Engine Starting Failure

ENGINE (DIAGNOSTICS)

Step	Check	Yes	No
<p>9 CHECK STARTER INTERLOCK RELAY. 1) Using a lead wire, connect the terminal No. 24 of starter interlock relay to positive terminal of battery, and terminal No. 26 to ground terminal of battery. 2) Measure the resistance between starter interlock relay terminals. Terminals No. 27 — No. 28:</p>	Is the resistance less than 1 Ω ?	Go to step 10.	Replace the starter interlock relay.
<p>10 CHECK INPUT VOLTAGE OF INHIBITOR SWITCH. 1) Turn the ignition switch to OFF. 2) Disconnect the connector from inhibitor switch. 3) Connect the connector to ignition switch. 4) Measure the input voltage between inhibitor switch connector terminal and engine ground while turning ignition switch to START. Connector & terminal (B12) No. 12 (+) — Engine ground (-):</p>	Is the voltage more than 10 V?	Go to step 11.	Repair open or ground short circuit in harness between inhibitor switch and starter interlock relay. NOTE: Check security system (if equipped). <Ref. to SL-21, Security System.>
<p>11 CHECK INHIBITOR SWITCH. 1) Place the select lever in the "P" or "N" range. 2) Measure the resistance between inhibitor switch terminals. Connector & terminal (T3) No. 11 — No. 12:</p>	Is the resistance less than 1 Ω ?	Repair open or ground short circuit in harness between inhibitor switch and starter motor.	Replace the inhibitor switch. <Ref. to 4AT-48, Inhibitor Switch.>
<p>12 CHECK INPUT VOLTAGE OF STARTER INTERLOCK RELAY. 1) Turn ignition switch to OFF. 2) Disconnect the connector from starter interlock relay. 3) Connect the connector to ignition switch. 4) Measure the input voltage between starter interlock relay connector and chassis ground while turning ignition switch to START. Connector & terminal (B225) No. 24 (+) — Chassis ground (-): (B225) No. 27 (+) — Chassis ground (-):</p>	Is the voltage more than 10 V?	Go to step 13.	Repair open or short circuit to ground in harness between starter interlock relay and ignition switch. NOTE: Check security system (if equipped). <Ref. to SL-21, Security System.>
<p>13 CHECK STARTER INTERLOCK RELAY. 1) Using a lead wire, connect the terminal No. 24 of starter interlock relay to positive terminal of battery, and terminal No. 26 to ground terminal of battery. 2) Measure the resistance between starter interlock relay terminals. Terminals No. 27 — No. 28:</p>	Is the resistance less than 1 Ω ?	Go to step 14.	Replace the starter interlock relay.
<p>14 CHECK GROUND CIRCUIT OF CLUTCH SWITCH. 1) Disconnect the connector from clutch switch. 2) Measure the resistance between clutch switch connector and chassis ground. Connector & terminal (B106) No. 1 — Chassis ground:</p>	Is the resistance less than 1 Ω ?	Go to step 15.	Repair open circuit of ground cable.

Diagnostics for Engine Starting Failure

ENGINE (DIAGNOSTICS)

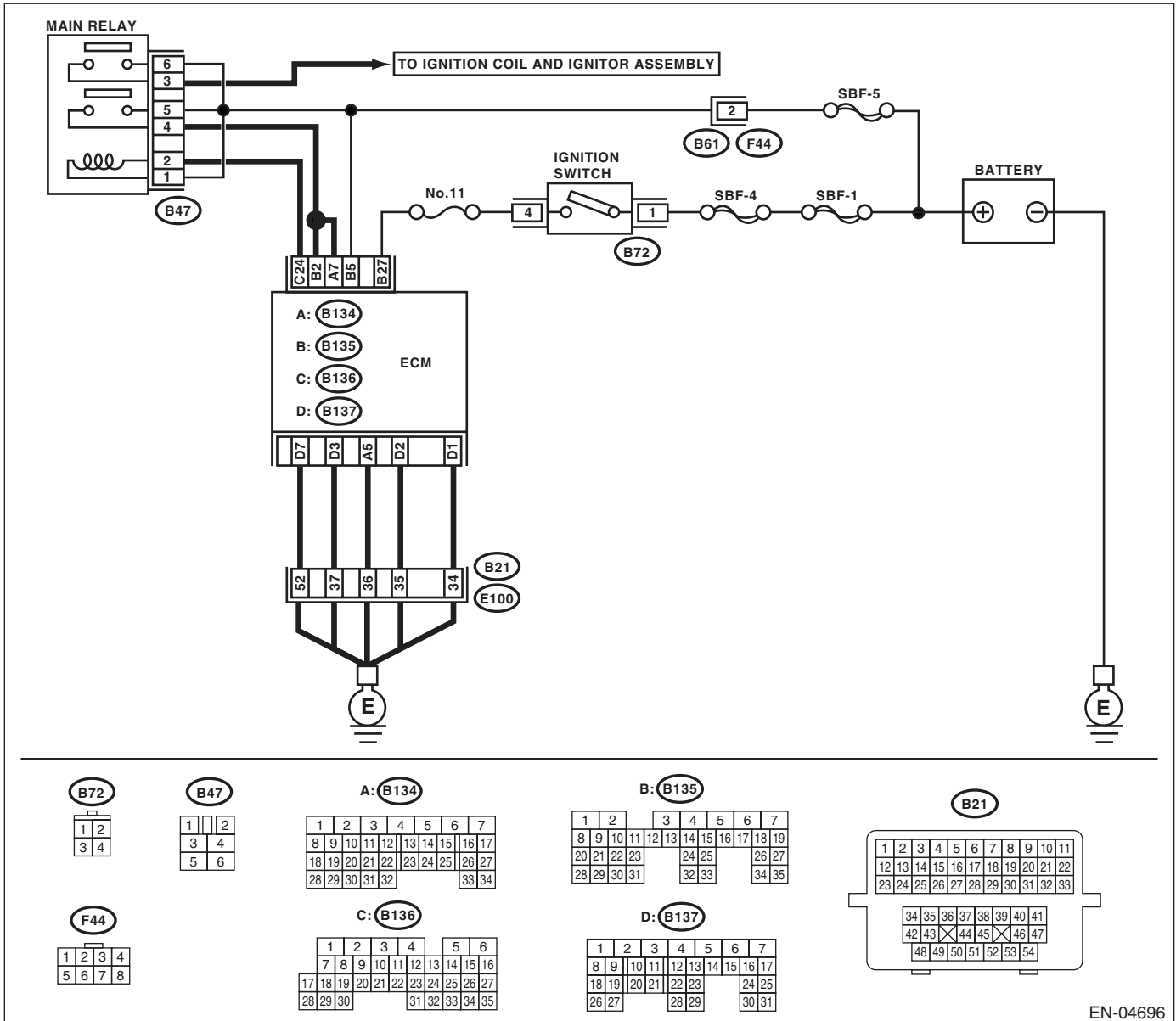
Step	Check	Yes	No
15 CHECK CLUTCH SWITCH. Measure the resistance between clutch switch terminals while depressing the clutch pedal. <i>Terminals</i> <i>No. 1 — No. 2:</i>	Is the resistance less than 1 Ω ?	Go to step 16 .	Replace the clutch switch. <Ref. to CL-36, Clutch Switch.>
16 CHECK CLUTCH SWITCH CIRCUIT. 1) Connect the connector to clutch switch. 2) Measure the resistance between starter interlock relay connector and chassis ground while depressing the clutch pedal. <i>Connector & terminal</i> <i>(B225) No. 26 — Chassis ground:</i>	Is the resistance less than 1 Ω ?	Repair short circuit to ground in harness between starter interlock relay and starter motor.	Repair open circuit in harness between starter interlock relay and clutch switch.

C: CHECK POWER SUPPLY AND GROUND LINE OF ENGINE CONTROL MODULE (ECM)

CAUTION:

After repair or replacement of faulty parts, conduct Clear Memory Mode <Ref. to EN(H4SO)(diag)-46, OPERATION, Clear Memory Mode.> and Inspection Mode <Ref. to EN(H4SO)(diag)-36, PROCEDURE, Inspection Mode.>.

WIRING DIAGRAM:



Diagnostics for Engine Starting Failure

ENGINE (DIAGNOSTICS)

Step	Check	Yes	No
1 CHECK MAIN RELAY. 1) Turn the ignition switch to OFF. 2) Remove the main relay. 3) Using a lead wire, connect the terminal No. 1 of main relay to positive terminal of battery, and terminal No. 2 to ground terminal of battery. 4) Measure the resistance between main relay terminals. Terminals No. 3 — No. 6: No. 4 — No. 5:	Is the measured value less than 10 Ω ?	Go to step 2.	Replace the main relay.
2 CHECK GROUND CIRCUIT OF ECM. 1) Disconnect the connector from ECM. 2) Measure the resistance of harness between ECM and chassis ground. Connector & terminal (B134) No. 5 — Chassis ground: (B137) No. 1 — Chassis ground: (B137) No. 2 — Chassis ground: (B137) No. 3 — Chassis ground: (B137) No. 7 — Chassis ground:	Is the measured value less than 5 Ω ?	Go to step 3.	Repair the open circuit in harness between ECM connector and engine grounding terminal or poor contact in connector.
3 CHECK INPUT VOLTAGE OF ECM. Measure the voltage between ECM connector and chassis ground. Connector & terminal (B135) No. 5 (+) — Chassis ground (-): (B135) No. 27 (+) — Chassis ground (-):	Is the measured value more than 10 V?	Go to step 4.	Repair the open or ground short circuit of power supply circuit.
4 CHECK INPUT VOLTAGE OF MAIN RELAY. Measure the voltage between main relay connector and chassis ground. Connector & terminal (B47) No. 1 (+) — Chassis ground (-): (B47) No. 5 (+) — Chassis ground (-): (B47) No. 6 (+) — Chassis ground (-):	Is the measured value more than 10 V?	Go to step 5.	Repair the open or ground short circuit in harness of power supply circuit.
5 CHECK INPUT VOLTAGE OF ECM. 1) Connect the main relay connector. 2) Turn the ignition switch to ON. 3) Measure the voltage between ECM connector and chassis ground. Connector & terminal (B135) No. 2 (+) — Chassis ground (-): (B134) No. 7 (+) — Chassis ground (-): (B136) No. 24 (+) — Chassis ground (-):	Is the measured value more than 10 V?	Check the ignition control system. <Ref. to EN(H4SO)(diag)-65, IGNITION CONTROL SYSTEM, Diagnostics for Engine Starting Failure.>	Repair the open or ground short circuit in harness between ECM connector and main relay connector.

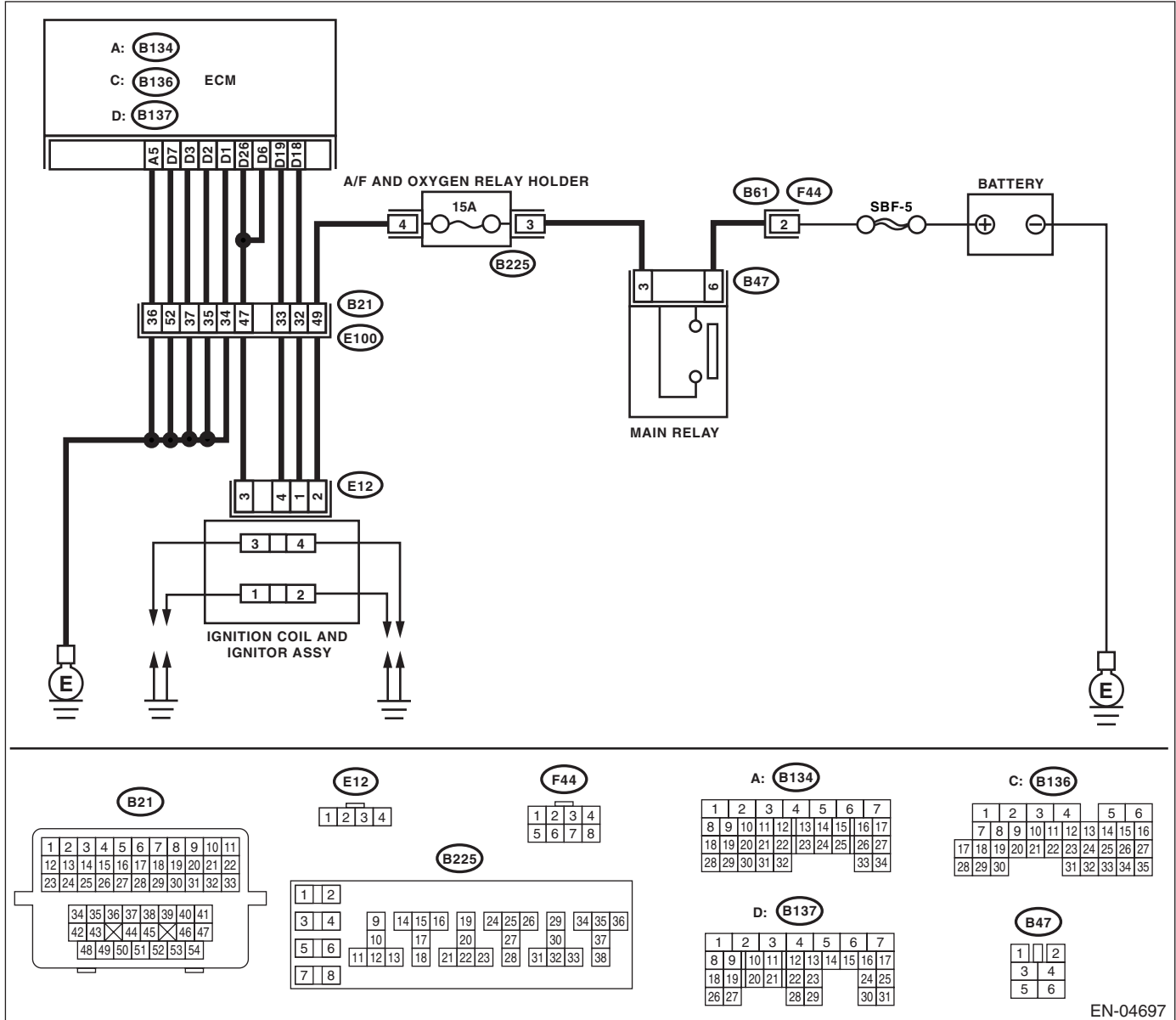
Diagnostics for Engine Starting Failure

D: IGNITION CONTROL SYSTEM

CAUTION:

After repair or replacement of faulty parts, conduct Clear Memory Mode <Ref. to EN(H4SO)(diag)-46, OPERATION, Clear Memory Mode.> and Inspection Mode <Ref. to EN(H4SO)(diag)-36, PROCEDURE, Inspection Mode.>.

WIRING DIAGRAM:



EN-04697

Diagnostics for Engine Starting Failure

ENGINE (DIAGNOSTICS)

Step	Check	Yes	No
<p>1</p> <p>CHECK IGNITION SYSTEM FOR SPARKS. 1) Remove the plug cord cap from each spark plug. 2) Install the new spark plug on plug cord cap.</p> <p>CAUTION: Do not remove the spark plug from engine.</p> <p>3) Contact the spark plug's thread portion on engine. 4) While opening the throttle valve fully, crank the engine to check that spark occurs at each cylinder.</p>	Does spark occur at each cylinder?	Check fuel pump system. <Ref. to EN(H4SO)(diag)-68, FUEL PUMP CIRCUIT, Diagnostics for Engine Starting Failure.>	Go to step 2.
<p>2</p> <p>CHECK POWER SUPPLY CIRCUIT FOR IGNITION COIL AND IGNITOR ASSEMBLY. 1) Turn the ignition switch to OFF. 2) Disconnect the connector from ignition coil and ignitor assembly. 3) Turn the ignition switch to ON. 4) Measure the power supply voltage between ignition coil and ignitor assembly connector and engine ground.</p> <p>Connector & terminal (E12) No. 2 (+) — Engine ground (-):</p>	Is the voltage more than 10 V?	Go to step 3.	Repair harness and connector. NOTE: In this case, repair the following: • Open circuit in harness between ignition coil and ignitor assembly, and ignition switch connector • Poor contact in coupling connectors
<p>3</p> <p>CHECK HARNESS OF IGNITION COIL AND IGNITOR ASSEMBLY GROUND CIRCUIT. 1) Turn the ignition switch to OFF. 2) Measure the resistance between ignition coil and ignitor assembly connector and engine ground.</p> <p>Connector & terminal (E12) No. 3 — Engine ground:</p>	Is the resistance less than 5 Ω ?	Go to step 4.	Repair harness and connector. NOTE: In this case, repair the following: • Open circuit in harness between ignition coil and ignitor assembly connector and engine grounding terminal
<p>4</p> <p>CHECK IGNITION COIL AND IGNITOR ASSEMBLY. 1) Remove the spark plug cords. 2) Measure the resistance between spark plug cord contact portions to check secondary coil.</p> <p>Terminals No. 1 — No. 2: No. 3 — No. 4:</p>	Is the resistance 10 — 15 k Ω ?	Go to step 5.	Replace the ignition coil and ignitor assembly. <Ref. to IG(H4SO)-7, Ignition Coil and Ignitor Assembly.>
<p>5</p> <p>CHECK INPUT SIGNAL FOR IGNITION COIL AND IGNITOR ASSEMBLY. 1) Connect the connector to ignition coil and ignitor assembly. 2) Check if voltage varies synchronously with engine speed when cranking, while monitoring voltage between ignition coil and ignitor assembly connector and engine ground.</p> <p>Connector & terminal (E12) No. 1 (+) — Engine ground (-): (E12) No. 4 (+) — Engine ground (-):</p>	Does the voltage vary more than 10 V?	Go to step 6.	Replace the ignition coil and ignitor assembly. <Ref. to IG(H4SO)-7, Ignition Coil and Ignitor Assembly.>

Diagnostics for Engine Starting Failure

ENGINE (DIAGNOSTICS)

Step	Check	Yes	No
<p>6</p> <p>CHECK HARNESS BETWEEN ECM AND IGNITION COIL AND IGNITOR ASSEMBLY CONNECTOR.</p> <p>1) Turn the ignition switch to OFF. 2) Disconnect the connector from ECM. 3) Disconnect the connector from ignition coil and ignitor assembly. 4) Measure the resistance of harness between ECM and ignition coil and ignitor assembly connector.</p> <p>Connector & terminal <i>(B137) No. 18 — (E12) No. 1:</i> <i>(B137) No. 19 — (E12) No. 4:</i></p>	<p>Is the resistance less than 1 Ω?</p>	<p>Go to step 7.</p>	<p>Repair harness and connector.</p> <p>NOTE: In this case, repair the following:</p> <ul style="list-style-type: none"> • Open circuit in harness between ECM and ignition coil and ignitor assembly connector • Poor contact in coupling connector
<p>7</p> <p>CHECK HARNESS BETWEEN ECM AND IGNITION COIL AND IGNITOR ASSEMBLY CONNECTOR.</p> <p>Measure the resistance of harness between ECM and engine ground.</p> <p>Connector & terminal: <i>(B137) No. 18 — Engine ground:</i> <i>(B137) No. 19 — Engine ground:</i></p>	<p>Is the resistance more than 1 $M\Omega$?</p>	<p>Go to step 8.</p>	<p>Repair ground short circuit in harness between ECM and ignition coil and ignitor assembly connector.</p>
<p>8</p> <p>CHECK POOR CONTACT.</p> <p>Check poor contact in ECM connector.</p>	<p>Is there poor contact in ECM connector?</p>	<p>Repair poor contact in ECM connector.</p>	<p>Check fuel pump circuit. <Ref. to EN(H4SO)(diag)-68, FUEL PUMP CIRCUIT, Diagnostics for Engine Starting Failure.></p>

Diagnostics for Engine Starting Failure

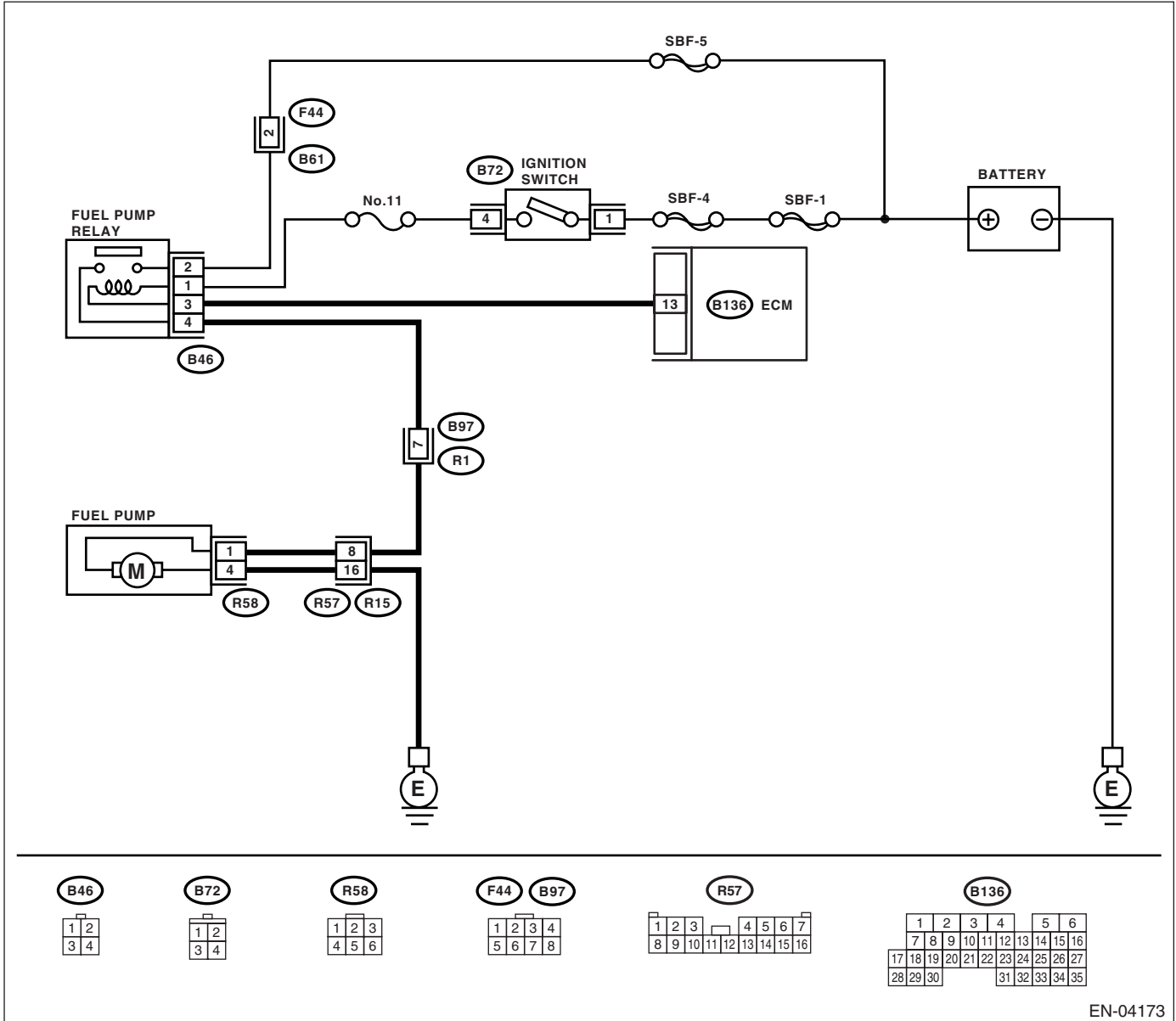
ENGINE (DIAGNOSTICS)

E: FUEL PUMP CIRCUIT

CAUTION:

After repair or replacement of faulty parts, conduct Clear Memory Mode <Ref. to EN(H4SO)(diag)-46, OPERATION, Clear Memory Mode.> and Inspection Mode <Ref. to EN(H4SO)(diag)-36, PROCEDURE, Inspection Mode.>.

WIRING DIAGRAM:



EN-04173

Diagnostics for Engine Starting Failure

ENGINE (DIAGNOSTICS)

Step	Check	Yes	No
<p>1 CHECK OPERATING SOUND OF FUEL PUMP. Make sure that fuel pump is in operation for two seconds when turning the ignition switch to ON.</p> <p>NOTE: Fuel pump operation can also be executed using Subaru Select Monitor. For the procedure, refer to "Compulsory Valve Operation Check Mode". <Ref. to EN(H4SO)(diag)-47, Compulsory Valve Operation Check Mode.></p>	Does the fuel pump produce operating sound?	Check fuel injector circuit. <Ref. to EN(H4SO)(diag)-71, FUEL INJECTOR CIRCUIT, Diagnostics for Engine Starting Failure.>	Go to step 2.
<p>2 CHECK GROUND CIRCUIT OF FUEL PUMP. 1) Turn the ignition switch to OFF. 2) Remove the fuel pump access hole lid. 3) Disconnect the connector from fuel pump. 4) Measure the resistance of harness connector between fuel pump and chassis ground.</p> <p>Connector & terminal (R58) No. 4 — Chassis ground:</p>	Is the resistance less than 5 Ω ?	Go to step 3.	<p>Repair harness and connector.</p> <p>NOTE: In this case, repair the following:</p> <ul style="list-style-type: none"> • Open circuit in harness between fuel pump connector and chassis grounding terminal • Poor contact in coupling connector
<p>3 CHECK POWER SUPPLY TO FUEL PUMP. 1) Turn the ignition switch to ON. 2) Measure the voltage of power supply circuit between fuel pump connector and chassis ground.</p> <p>Connector & terminal (R58) No. 1 (+) — Chassis ground (-):</p>	Is the voltage more than 10 V?	Replace the fuel pump. <Ref. to FU(H4SO)-50, Fuel Pump.>	Go to step 4.
<p>4 CHECK HARNESS BETWEEN FUEL PUMP AND FUEL PUMP RELAY CONNECTOR. 1) Turn the ignition switch to OFF. 2) Measure the resistance of harness connector between fuel pump and fuel pump relay.</p> <p>Connector & terminal (R58) No. 1 — (B46) No. 4:</p>	Is the resistance less than 1 Ω ?	Go to step 5.	<p>Repair harness and connector.</p> <p>NOTE: In this case, repair the following:</p> <ul style="list-style-type: none"> • Open circuit in harness between fuel pump connector and chassis grounding terminal • Poor contact in coupling connectors
<p>5 CHECK HARNESS BETWEEN FUEL PUMP AND FUEL PUMP RELAY CONNECTOR. Measure the resistance of harness between fuel pump and fuel pump relay connector.</p> <p>Connector & terminal (R58) No. 1 — Chassis ground:</p>	Is the resistance more than 1 M Ω ?	Go to step 6.	Repair short circuit in harness between fuel pump and fuel pump relay connector.

Diagnostics for Engine Starting Failure

ENGINE (DIAGNOSTICS)

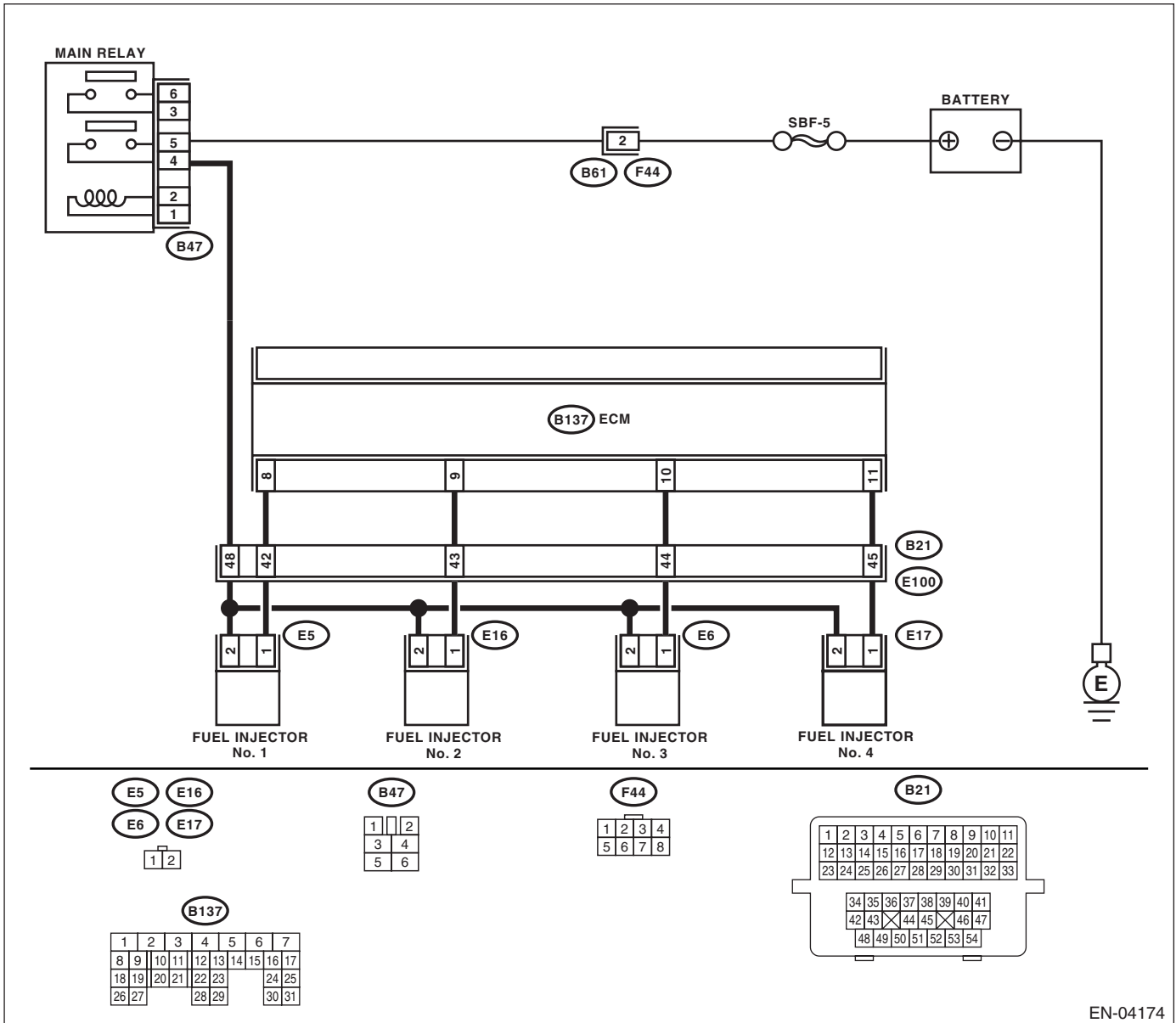
Step	Check	Yes	No
6 CHECK FUEL PUMP RELAY. 1) Disconnect the connectors from fuel pump relay and main relay. 2) Remove the fuel pump relay and main relay with bracket. 3) Using a lead wire, connect the terminal No. 1 of fuel pump relay to positive terminal of battery, and No. 3 terminal to ground terminal of battery. 4) Measure the resistance between connector terminals of fuel pump relay. Terminals No. 2 — No. 4:	Is the resistance less than 10 Ω ?	Go to step 7.	Replace the fuel pump relay. <Ref. to FU(H4SO)-40, Fuel Pump Relay.>
7 CHECK HARNESS BETWEEN ECM AND FUEL PUMP RELAY CONNECTOR. 1) Disconnect the connectors from ECM. 2) Measure the resistance of harness between ECM and fuel pump relay connector. Connector & terminal (B136) No. 13 — (B46) No. 3:	Is the resistance less than 1 Ω ?	Go to step 8.	Repair open circuit in harness between ECM and fuel pump relay connector.
8 CHECK POOR CONTACT. Check poor contact in ECM connector.	Is there poor contact in ECM connector?	Repair poor contact in ECM connector.	Check fuel injector circuit. <Ref. to EN(H4SO)(diag)-71, FUEL INJECTOR CIRCUIT, Diagnostics for Engine Starting Failure.>

F: FUEL INJECTOR CIRCUIT

CAUTION:

- Check or repair only faulty parts.
- After repair or replacement of faulty parts, conduct Clear Memory Mode <Ref. to EN(H4SO)(diag)-46, OPERATION, Clear Memory Mode.> and Inspection Mode <Ref. to EN(H4SO)(diag)-36, PROCEDURE, Inspection Mode.>.

WIRING DIAGRAM:



EN-04174

Diagnostics for Engine Starting Failure

ENGINE (DIAGNOSTICS)

Step	Check	Yes	No
<p>1 CHECK OPERATION OF EACH FUEL INJECTOR. While cranking the engine, check that each fuel injector emits “operating” sound. Use a sound scope or put a screwdriver on the injector for this check.</p>	Does the fuel injector operate?	Check the fuel pressure. <Ref. to ME(H4SO)-29, INSPECTION, Fuel Pressure.>	Go to step 2.
<p>2 CHECK POWER SUPPLY TO EACH FUEL INJECTOR. 1) Turn the ignition switch to OFF. 2) Disconnect the connector from fuel injector. 3) Turn the ignition switch to ON. 4) Measure the power supply voltage between the fuel injector terminal and engine ground. Connector & terminal #1 (E5) No. 2 (+) — Engine ground (-): #2 (E16) No. 2 (+) — Engine ground (-): #3 (E6) No. 2 (+) — Engine ground (-): #4 (E17) No. 2 (+) — Engine ground (-):</p>	Is the voltage more than 10 V?	Go to step 3.	Repair harness and connector. NOTE: In this case, repair the following: <ul style="list-style-type: none"> • Open circuit in harness between main relay and fuel injector connector • Poor contact in main relay connector • Poor contact in coupling connector (B22) • Poor contact in fuel injector connector
<p>3 CHECK HARNESS BETWEEN ECM AND FUEL INJECTOR CONNECTOR. 1) Disconnect the connector from ECM. 2) Measure the resistance of harness between ECM and fuel injector connector. Connector & terminal #1 (B137) No. 8 — (E5) No. 1: #2 (B137) No. 9 — (E16) No. 1: #3 (B137) No. 10 — (E6) No. 1: #4 (B137) No. 11 — (E17) No. 1:</p>	Is the resistance less than 1 Ω ?	Go to step 4.	Repair harness and connector. NOTE: In this case, repair the following: <ul style="list-style-type: none"> • Open circuit in harness between ECM and fuel injector connector • Poor contact in coupling connector
<p>4 CHECK HARNESS BETWEEN ECM AND FUEL INJECTOR CONNECTOR. Measure the resistance of harness between ECM and fuel injector connector. Connector & terminal #1 (B137) No. 8 — Chassis ground: #2 (B137) No. 9 — Chassis ground: #3 (B137) No. 10 — Chassis ground: #4 (B137) No. 11 — Chassis ground:</p>	Is the resistance more than 1 M Ω ?	Go to step 5.	Repair ground short circuit in harness between ECM and fuel injector connector.
<p>5 CHECK EACH FUEL INJECTOR. 1) Turn the ignition switch to OFF. 2) Measure the resistance between each fuel injector terminals. Terminals No. 1 — No. 2:</p>	Is the resistance 5 — 20 Ω ?	Go to step 6.	Replace the faulty fuel injector.
<p>6 CHECK POOR CONTACT. Check poor contact in ECM connector.</p>	Is there poor contact in ECM connector?	Repair poor contact in ECM connector.	Inspection using “General Diagnostic Table”. <Ref. to EN(H4SO)(diag)-342, INSPECTION, General Diagnostic Table.>

List of Diagnostic Trouble Code (DTC)

ENGINE (DIAGNOSTICS)

17. List of Diagnostic Trouble Code (DTC)

A: LIST

DTC	Item	Index
P0026	Intake Valve Control Solenoid Circuit Range/Performance (Bank 1)	<Ref. to EN(H4SO)(diag)-80, DTC P0026 INTAKE VALVE CONTROL SOLENOID CIRCUIT RANGE/PERFORMANCE (BANK 1), Diagnostic Procedure with Diagnostic Trouble Code (DTC).>
P0028	Intake Valve Control Solenoid Circuit Range/Performance (Bank 2)	<Ref. to EN(H4SO)(diag)-82, DTC P0028 INTAKE VALVE CONTROL SOLENOID CIRCUIT RANGE/PERFORMANCE (BANK 2), Diagnostic Procedure with Diagnostic Trouble Code (DTC).>
P0030	HO2S Heater Control Circuit (Bank 1 Sensor 1)	<Ref. to EN(H4SO)(diag)-84, DTC P0030 HO2S HEATER CONTROL CIRCUIT (BANK 1 SENSOR 1), Diagnostic Procedure with Diagnostic Trouble Code (DTC).>
P0031	HO2S Heater Control Circuit Low (Bank 1 Sensor 1)	<Ref. to EN(H4SO)(diag)-86, DTC P0031 HO2S HEATER CONTROL CIRCUIT LOW (BANK 1 SENSOR 1), Diagnostic Procedure with Diagnostic Trouble Code (DTC).>
P0032	HO2S Heater Control Circuit High (Bank 1 Sensor 1)	<Ref. to EN(H4SO)(diag)-89, DTC P0032 HO2S HEATER CONTROL CIRCUIT HIGH (BANK 1 SENSOR 1), Diagnostic Procedure with Diagnostic Trouble Code (DTC).>
P0037	HO2S Heater Control Circuit Low (Bank 1 Sensor 2)	<Ref. to EN(H4SO)(diag)-91, DTC P0037 HO2S HEATER CONTROL CIRCUIT LOW (BANK 1 SENSOR 2), Diagnostic Procedure with Diagnostic Trouble Code (DTC).>
P0038	HO2S Heater Control Circuit High (Bank 1 Sensor 2)	<Ref. to EN(H4SO)(diag)-94, DTC P0038 HO2S HEATER CONTROL CIRCUIT HIGH (BANK 1 SENSOR 2), Diagnostic Procedure with Diagnostic Trouble Code (DTC).>
P0068	Manifold Absolute Pressure/Barometric Pressure Circuit Range/Performance Problem	<Ref. to EN(H4SO)(diag)-96, DTC P0068 MANIFOLD ABSOLUTE PRESSURE SENSOR RANGE/PERFORMANCE, Diagnostic Procedure with Diagnostic Trouble Code (DTC).>
P0076	Intake Valve Control Solenoid Circuit Low (Bank 1)	<Ref. to EN(H4SO)(diag)-98, DTC P0076 INTAKE VALVE CONTROL SOLENOID CIRCUIT LOW (BANK 1), Diagnostic Procedure with Diagnostic Trouble Code (DTC).>
P0077	Intake Valve Control Solenoid Circuit High (Bank 1)	<Ref. to EN(H4SO)(diag)-100, DTC P0077 INTAKE VALVE CONTROL SOLENOID CIRCUIT HIGH (BANK 1), Diagnostic Procedure with Diagnostic Trouble Code (DTC).>
P0082	Intake Valve Control Solenoid Circuit Low (Bank 2)	<Ref. to EN(H4SO)(diag)-102, DTC P0082 INTAKE VALVE CONTROL SOLENOID CIRCUIT LOW (BANK 2), Diagnostic Procedure with Diagnostic Trouble Code (DTC).>
P0083	Intake Valve Control Solenoid Circuit High (Bank 2)	<Ref. to EN(H4SO)(diag)-104, DTC P0083 INTAKE VALVE CONTROL SOLENOID CIRCUIT HIGH (BANK 2), Diagnostic Procedure with Diagnostic Trouble Code (DTC).>
P0101	Mass or Volume Air Flow Circuit Range/Performance	<Ref. to EN(H4SO)(diag)-106, DTC P0101 MASS OR VOLUME AIR FLOW CIRCUIT RANGE/PERFORMANCE, Diagnostic Procedure with Diagnostic Trouble Code (DTC).>
P0102	Mass or Volume Air Flow Circuit Low Input	<Ref. to EN(H4SO)(diag)-108, DTC P0102 MASS OR VOLUME AIR FLOW CIRCUIT LOW INPUT, Diagnostic Procedure with Diagnostic Trouble Code (DTC).>
P0103	Mass or Volume Air Flow Circuit High Input	<Ref. to EN(H4SO)(diag)-111, DTC P0103 MASS OR VOLUME AIR FLOW CIRCUIT HIGH INPUT, Diagnostic Procedure with Diagnostic Trouble Code (DTC).>
P0107	Manifold Absolute Pressure/Barometric Pressure Circuit Low Input	<Ref. to EN(H4SO)(diag)-113, DTC P0107 MANIFOLD ABSOLUTE PRESSURE/BAROMETRIC PRESSURE CIRCUIT LOW INPUT, Diagnostic Procedure with Diagnostic Trouble Code (DTC).>
P0108	Manifold Absolute Pressure/Barometric Pressure Circuit High Input	<Ref. to EN(H4SO)(diag)-116, DTC P0108 MANIFOLD ABSOLUTE PRESSURE/BAROMETRIC PRESSURE CIRCUIT HIGH INPUT, Diagnostic Procedure with Diagnostic Trouble Code (DTC).>
P0111	Intake Air Temperature Circuit Range/Performance	<Ref. to EN(H4SO)(diag)-119, DTC P0111 INTAKE AIR TEMPERATURE CIRCUIT RANGE/PERFORMANCE, Diagnostic Procedure with Diagnostic Trouble Code (DTC).>

List of Diagnostic Trouble Code (DTC)

ENGINE (DIAGNOSTICS)

DTC	Item	Index
P0112	Intake Air Temperature Circuit Low Input	<Ref. to EN(H4SO)(diag)-121, DTC P0112 INTAKE AIR TEMPERATURE CIRCUIT LOW INPUT, Diagnostic Procedure with Diagnostic Trouble Code (DTC).>
P0113	Intake Air Temperature Circuit High Input	<Ref. to EN(H4SO)(diag)-123, DTC P0113 INTAKE AIR TEMPERATURE CIRCUIT HIGH INPUT, Diagnostic Procedure with Diagnostic Trouble Code (DTC).>
P0117	Engine Coolant Temperature Circuit Low Input	<Ref. to EN(H4SO)(diag)-126, DTC P0117 ENGINE COOLANT TEMPERATURE CIRCUIT LOW INPUT, Diagnostic Procedure with Diagnostic Trouble Code (DTC).>
P0118	Engine Coolant Temperature Circuit High Input	<Ref. to EN(H4SO)(diag)-128, DTC P0118 ENGINE COOLANT TEMPERATURE CIRCUIT HIGH INPUT, Diagnostic Procedure with Diagnostic Trouble Code (DTC).>
P0122	Throttle/Pedal Position Sensor/Switch "A" Circuit Low Input	<Ref. to EN(H4SO)(diag)-130, DTC P0122 THROTTLE/PEDAL POSITION SENSOR/SWITCH "A" CIRCUIT LOW INPUT, Diagnostic Procedure with Diagnostic Trouble Code (DTC).>
P0123	Throttle/Pedal Position Sensor/Switch "A" Circuit High Input	<Ref. to EN(H4SO)(diag)-133, DTC P0123 THROTTLE/PEDAL POSITION SENSOR/SWITCH "A" CIRCUIT HIGH INPUT, Diagnostic Procedure with Diagnostic Trouble Code (DTC).>
P0125	Insufficient Coolant Temperature for Closed Loop Fuel Control	<Ref. to EN(H4SO)(diag)-136, DTC P0125 INSUFFICIENT COOLANT TEMPERATURE FOR CLOSED LOOP FUEL CONTROL, Diagnostic Procedure with Diagnostic Trouble Code (DTC).>
P0126	Insufficient Coolant Temperature for Stable Operation	<Ref. to EN(H4SO)(diag)-138, DTC P0126 INSUFFICIENT COOLANT TEMPERATURE FOR STABLE OPERATION, Diagnostic Procedure with Diagnostic Trouble Code (DTC).>
P0128	Coolant Thermostat (Coolant Temperature Below Thermostat Regulating Temperature)	<Ref. to EN(H4SO)(diag)-140, DTC P0128 COOLANT THERMOSTAT (COOLANT TEMPERATURE BELOW THERMOSTAT REGULATING TEMPERATURE), Diagnostic Procedure with Diagnostic Trouble Code (DTC).>
P0131	O ₂ Sensor Circuit Low Voltage (Bank 1 Sensor 1)	<Ref. to EN(H4SO)(diag)-141, DTC P0131 O ₂ SENSOR CIRCUIT LOW VOLTAGE (BANK 1 SENSOR 1), Diagnostic Procedure with Diagnostic Trouble Code (DTC).>
P0132	O ₂ Sensor Circuit High Voltage (Bank 1 Sensor 1)	<Ref. to EN(H4SO)(diag)-143, DTC P0132 O ₂ SENSOR CIRCUIT HIGH VOLTAGE (BANK 1 SENSOR 1), Diagnostic Procedure with Diagnostic Trouble Code (DTC).>
P0133	O ₂ Sensor Circuit Slow Response (Bank 1 Sensor 1)	<Ref. to EN(H4SO)(diag)-145, DTC P0133 O ₂ SENSOR CIRCUIT SLOW RESPONSE (BANK 1 SENSOR 1), Diagnostic Procedure with Diagnostic Trouble Code (DTC).>
P0134	O ₂ Sensor Circuit No Activity Detected (Bank 1 Sensor 1)	<Ref. to EN(H4SO)(diag)-147, DTC P0134 O ₂ SENSOR CIRCUIT NO ACTIVITY DETECTED (BANK 1 SENSOR 1), Diagnostic Procedure with Diagnostic Trouble Code (DTC).>
P0137	O ₂ Sensor Circuit Low Voltage (Bank 1 Sensor 2)	<Ref. to EN(H4SO)(diag)-149, DTC P0137 O ₂ SENSOR CIRCUIT LOW VOLTAGE (BANK 1 SENSOR 2), Diagnostic Procedure with Diagnostic Trouble Code (DTC).>
P0138	O ₂ Sensor Circuit High Voltage (Bank 1 Sensor 2)	<Ref. to EN(H4SO)(diag)-152, DTC P0138 O ₂ SENSOR CIRCUIT HIGH VOLTAGE (BANK 1 SENSOR 2), Diagnostic Procedure with Diagnostic Trouble Code (DTC).>
P0139	O ₂ Sensor Circuit Slow Response (Bank 1 Sensor 2)	<Ref. to EN(H4SO)(diag)-155, DTC P0139 O ₂ SENSOR CIRCUIT SLOW RESPONSE (BANK 1 SENSOR 2), Diagnostic Procedure with Diagnostic Trouble Code (DTC).>
P0140	O ₂ Sensor Circuit No Activity Detected (Bank 1 Sensor 2)	<Ref. to EN(H4SO)(diag)-157, DTC P0140 O ₂ SENSOR CIRCUIT NO ACTIVITY DETECTED (BANK 1 SENSOR 2), Diagnostic Procedure with Diagnostic Trouble Code (DTC).>
P0171	System too Lean (Bank 1)	<Ref. to EN(H4SO)(diag)-159, DTC P0171 SYSTEM TOO LEAN (BANK 1), Diagnostic Procedure with Diagnostic Trouble Code (DTC).>
P0172	System too Rich (Bank 1)	<Ref. to EN(H4SO)(diag)-160, DTC P0172 SYSTEM TOO RICH (BANK 1), Diagnostic Procedure with Diagnostic Trouble Code (DTC).>

List of Diagnostic Trouble Code (DTC)

ENGINE (DIAGNOSTICS)

DTC	Item	Index
P0181	Fuel Temperature Sensor "A" Circuit Range/Performance	<Ref. to EN(H4SO)(diag)-162, DTC P0181 FUEL TEMPERATURE SENSOR "A" CIRCUIT RANGE/PERFORMANCE, Diagnostic Procedure with Diagnostic Trouble Code (DTC).>
P0182	Fuel Temperature Sensor "A" Circuit Low Input	<Ref. to EN(H4SO)(diag)-164, DTC P0182 FUEL TEMPERATURE SENSOR "A" CIRCUIT LOW INPUT, Diagnostic Procedure with Diagnostic Trouble Code (DTC).>
P0183	Fuel Temperature Sensor "A" Circuit High Input	<Ref. to EN(H4SO)(diag)-166, DTC P0183 FUEL TEMPERATURE SENSOR "A" CIRCUIT HIGH INPUT, Diagnostic Procedure with Diagnostic Trouble Code (DTC).>
P0196	Engine Oil Temperature Sensor Circuit Range/Performance	<Ref. to EN(H4SO)(diag)-169, DTC P0196 ENGINE OIL TEMPERATURE SENSOR CIRCUIT RANGE/PERFORMANCE, Diagnostic Procedure with Diagnostic Trouble Code (DTC).>
P0197	Engine Oil Temperature Sensor Low	<Ref. to EN(H4SO)(diag)-171, DTC P0197 ENGINE OIL TEMPERATURE SENSOR LOW, Diagnostic Procedure with Diagnostic Trouble Code (DTC).>
P0198	Engine Oil Temperature Sensor High	<Ref. to EN(H4SO)(diag)-173, DTC P0198 ENGINE OIL TEMPERATURE SENSOR HIGH, Diagnostic Procedure with Diagnostic Trouble Code (DTC).>
P0222	Throttle/Pedal Position Sensor/Switch "B" Circuit Low Input	<Ref. to EN(H4SO)(diag)-175, DTC P0222 THROTTLE/PEDAL POSITION SENSOR/SWITCH "B" CIRCUIT LOW INPUT, Diagnostic Procedure with Diagnostic Trouble Code (DTC).>
P0223	Throttle/Pedal Position Sensor/Switch "B" Circuit High Input	<Ref. to EN(H4SO)(diag)-178, DTC P0223 THROTTLE/PEDAL POSITION SENSOR/SWITCH "B" CIRCUIT HIGH INPUT, Diagnostic Procedure with Diagnostic Trouble Code (DTC).>
P0301	Cylinder 1 Misfire Detected	<Ref. to EN(H4SO)(diag)-181, DTC P0301 CYLINDER 1 MISFIRE DETECTED, Diagnostic Procedure with Diagnostic Trouble Code (DTC).>
P0302	Cylinder 2 Misfire Detected	<Ref. to EN(H4SO)(diag)-181, DTC P0302 CYLINDER 2 MISFIRE DETECTED, Diagnostic Procedure with Diagnostic Trouble Code (DTC).>
P0303	Cylinder 3 Misfire Detected	<Ref. to EN(H4SO)(diag)-181, DTC P0303 CYLINDER 3 MISFIRE DETECTED, Diagnostic Procedure with Diagnostic Trouble Code (DTC).>
P0304	Cylinder 4 Misfire Detected	<Ref. to EN(H4SO)(diag)-182, DTC P0304 CYLINDER 4 MISFIRE DETECTED, Diagnostic Procedure with Diagnostic Trouble Code (DTC).>
P0327	Knock Sensor 1 Circuit Low Input (Bank 1 or Single Sensor)	<Ref. to EN(H4SO)(diag)-188, DTC P0327 KNOCK SENSOR 1 CIRCUIT LOW INPUT (BANK 1 OR SINGLE SENSOR), Diagnostic Procedure with Diagnostic Trouble Code (DTC).>
P0328	Knock Sensor 1 Circuit High Input (Bank 1 or Single Sensor)	<Ref. to EN(H4SO)(diag)-190, DTC P0328 KNOCK SENSOR 1 CIRCUIT HIGH INPUT (BANK 1 OR SINGLE SENSOR), Diagnostic Procedure with Diagnostic Trouble Code (DTC).>
P0335	Crankshaft Position Sensor "A" Circuit	<Ref. to EN(H4SO)(diag)-192, DTC P0335 CRANKSHAFT POSITION SENSOR "A" CIRCUIT, Diagnostic Procedure with Diagnostic Trouble Code (DTC).>
P0336	Crankshaft Position Sensor "A" Circuit Range/Performance	<Ref. to EN(H4SO)(diag)-194, DTC P0336 CRANKSHAFT POSITION SENSOR "A" CIRCUIT RANGE/PERFORMANCE, Diagnostic Procedure with Diagnostic Trouble Code (DTC).>
P0340	Camshaft Position Sensor "A" Circuit (Bank 1 or Single Sensor)	<Ref. to EN(H4SO)(diag)-196, DTC P0340 CAMSHAFT POSITION SENSOR "A" CIRCUIT (BANK 1 OR SINGLE SENSOR), Diagnostic Procedure with Diagnostic Trouble Code (DTC).>
P0341	Camshaft Position Sensor "A" Circuit Range/Performance (Bank 1 or Single Sensor)	<Ref. to EN(H4SO)(diag)-198, DTC P0341 CAMSHAFT POSITION SENSOR "A" CIRCUIT RANGE/PERFORMANCE (BANK 1 OR SINGLE SENSOR), Diagnostic Procedure with Diagnostic Trouble Code (DTC).>
P0400	Exhaust Gas Recirculation	<Ref. to EN(H4SO)(diag)-201, DTC P0400 EXHAUST GAS RECIRCULATION FLOW, Diagnostic Procedure with Diagnostic Trouble Code (DTC).>
P0420	Catalyst System Efficiency Below Threshold (Bank 1)	<Ref. to EN(H4SO)(diag)-203, DTC P0420 CATALYST SYSTEM EFFICIENCY BELOW THRESHOLD (BANK 1), Diagnostic Procedure with Diagnostic Trouble Code (DTC).>
P0442	Evaporative Emission Control System Leak Detected (small leak)	<Ref. to EN(H4SO)(diag)-207, DTC P0442 EVAPORATIVE EMISSION CONTROL SYSTEM LEAK DETECTED (SMALL LEAK), Diagnostic Procedure with Diagnostic Trouble Code (DTC).>

List of Diagnostic Trouble Code (DTC)

ENGINE (DIAGNOSTICS)

DTC	Item	Index
P0447	Evaporative Emission Control System Vent Control Circuit Open	<Ref. to EN(H4SO)(diag)-211, DTC P0447 EVAPORATIVE EMISSION CONTROL SYSTEM VENT CONTROL CIRCUIT OPEN, Diagnostic Procedure with Diagnostic Trouble Code (DTC).>
P0448	Evaporative Emission Control System Vent Control Circuit Shorted	<Ref. to EN(H4SO)(diag)-214, DTC P0448 EVAPORATIVE EMISSION CONTROL SYSTEM VENT CONTROL CIRCUIT SHORTED, Diagnostic Procedure with Diagnostic Trouble Code (DTC).>
P0451	Evaporative Emission Control System Pressure Sensor Range/Performance	<Ref. to EN(H4SO)(diag)-216, DTC P0451 EVAPORATIVE EMISSION CONTROL SYSTEM PRESSURE SENSOR RANGE/PERFORMANCE, Diagnostic Procedure with Diagnostic Trouble Code (DTC).>
P0452	Evaporative Emission Control System Pressure Sensor Low Input	<Ref. to EN(H4SO)(diag)-218, DTC P0452 EVAPORATIVE EMISSION CONTROL SYSTEM PRESSURE SENSOR LOW INPUT, Diagnostic Procedure with Diagnostic Trouble Code (DTC).>
P0453	Evaporative Emission Control System Pressure Sensor High Input	<Ref. to EN(H4SO)(diag)-221, DTC P0453 EVAPORATIVE EMISSION CONTROL SYSTEM PRESSURE SENSOR HIGH INPUT, Diagnostic Procedure with Diagnostic Trouble Code (DTC).>
P0456	Evaporative Emission Control System Leak Detected (very small leak)	<Ref. to EN(H4SO)(diag)-224, DTC P0456 EVAPORATIVE EMISSION CONTROL SYSTEM LEAK DETECTED (VERY SMALL LEAK), Diagnostic Procedure with Diagnostic Trouble Code (DTC).>
P0457	Evaporative Emission Control System Leak Detected (fuel cap loose/off)	<Ref. to EN(H4SO)(diag)-227, DTC P0457 EVAPORATIVE EMISSION CONTROL SYSTEM LEAK DETECTED (FUEL CAP LOOSE/OFF), Diagnostic Procedure with Diagnostic Trouble Code (DTC).>
P0458	Evaporative Emission Control System Purge Control Valve Circuit Low	<Ref. to EN(H4SO)(diag)-231, DTC P0458 EVAPORATIVE EMISSION CONTROL SYSTEM PURGE CONTROL VALVE CIRCUIT LOW, Diagnostic Procedure with Diagnostic Trouble Code (DTC).>
P0459	Evaporative Emission Control System Purge Control Valve Circuit High	<Ref. to EN(H4SO)(diag)-233, DTC P0459 EVAPORATIVE EMISSION CONTROL SYSTEM PURGE CONTROL VALVE CIRCUIT HIGH, Diagnostic Procedure with Diagnostic Trouble Code (DTC).>
P0461	Fuel Level Sensor Circuit Range/Performance	<Ref. to EN(H4SO)(diag)-235, DTC P0461 FUEL LEVEL SENSOR CIRCUIT RANGE/PERFORMANCE, Diagnostic Procedure with Diagnostic Trouble Code (DTC).>
P0462	Fuel Level Sensor Circuit Low Input	<Ref. to EN(H4SO)(diag)-237, DTC P0462 FUEL LEVEL SENSOR CIRCUIT LOW INPUT, Diagnostic Procedure with Diagnostic Trouble Code (DTC).>
P0463	Fuel Level Sensor Circuit High Input	<Ref. to EN(H4SO)(diag)-240, DTC P0463 FUEL LEVEL SENSOR CIRCUIT HIGH INPUT, Diagnostic Procedure with Diagnostic Trouble Code (DTC).>
P0464	Fuel Level Sensor Circuit Intermittent	<Ref. to EN(H4SO)(diag)-243, DTC P0464 FUEL LEVEL SENSOR CIRCUIT INTERMITTENT, Diagnostic Procedure with Diagnostic Trouble Code (DTC).>
P0483	Cooling Fan Rationality Check	<Ref. to EN(H4SO)(diag)-244, DTC P0483 COOLING FAN RATIONALITY CHECK, Diagnostic Procedure with Diagnostic Trouble Code (DTC).>
P0502	Vehicle Speed Sensor Circuit Low Input	<Ref. to EN(H4SO)(diag)-246, DTC P0502 VEHICLE SPEED SENSOR CIRCUIT LOW INPUT, Diagnostic Procedure with Diagnostic Trouble Code (DTC).>
P0503	Vehicle Speed Sensor Intermittent/Erratic/High	<Ref. to EN(H4SO)(diag)-247, DTC P0503 VEHICLE SPEED SENSOR INTERMITTENT/ERRATIC/HIGH, Diagnostic Procedure with Diagnostic Trouble Code (DTC).>
P0506	Idle Control System RPM Lower Than Expected	<Ref. to EN(H4SO)(diag)-249, DTC P0506 IDLE CONTROL SYSTEM RPM LOWER THAN EXPECTED, Diagnostic Procedure with Diagnostic Trouble Code (DTC).>
P0507	Idle Control System RPM Higher Than Expected	<Ref. to EN(H4SO)(diag)-251, DTC P0507 IDLE CONTROL SYSTEM RPM HIGHER THAN EXPECTED, Diagnostic Procedure with Diagnostic Trouble Code (DTC).>
P0512	Starter Request Circuit	<Ref. to EN(H4SO)(diag)-253, DTC P0512 STARTER REQUEST CIRCUIT, Diagnostic Procedure with Diagnostic Trouble Code (DTC).>
P0513	Incorrect Immobilizer Key	<Ref. to IM(diag)-21, DTC P0513 INCORRECT IMMOBILIZER KEY, Diagnostic Procedure with Diagnostic Trouble Code (DTC).>

List of Diagnostic Trouble Code (DTC)

ENGINE (DIAGNOSTICS)

DTC	Item	Index
P0519	Idle Control System Malfunction (Fail-Safe)	<Ref. to EN(H4SO)(diag)-255, DTC P0519 IDLE CONTROL SYSTEM MALFUNCTION (FAIL-SAFE), Diagnostic Procedure with Diagnostic Trouble Code (DTC).>
P0600	CAN Communication Circuit	<Ref. to EN(H4SO)(diag)-258, DTC P0600 SERIAL COMMUNICATION LINK, Diagnostic Procedure with Diagnostic Trouble Code (DTC).>
P0604	Internal Control Module Random Access Memory (RAM) Error	<Ref. to EN(H4SO)(diag)-260, DTC P0604 INTERNAL CONTROL MODULE RANDOM ACCESS MEMORY (RAM) ERROR, Diagnostic Procedure with Diagnostic Trouble Code (DTC).>
P0605	Internal Control Module Read Only Memory (ROM) Error	<Ref. to EN(H4SO)(diag)-261, DTC P0605 INTERNAL CONTROL MODULE READ ONLY MEMORY (ROM) ERROR, Diagnostic Procedure with Diagnostic Trouble Code (DTC).>
P0607	Control Module Performance	<Ref. to EN(H4SO)(diag)-262, DTC P0607 CONTROL MODULE PERFORMANCE, Diagnostic Procedure with Diagnostic Trouble Code (DTC).>
P0638	Throttle Actuator Control Range/Performance (Bank 1)	<Ref. to EN(H4SO)(diag)-263, DTC P0638 THROTTLE ACTUATOR CONTROL RANGE/PERFORMANCE (BANK 1), Diagnostic Procedure with Diagnostic Trouble Code (DTC).>
P0691	Cooling Fan 1 Control Circuit Low	<Ref. to EN(H4SO)(diag)-264, DTC P0691 COOLING FAN 1 CONTROL CIRCUIT LOW, Diagnostic Procedure with Diagnostic Trouble Code (DTC).>
P0692	Cooling Fan 1 Control Circuit High	<Ref. to EN(H4SO)(diag)-264, DTC P0692 COOLING FAN 1 CONTROL CIRCUIT HIGH, Diagnostic Procedure with Diagnostic Trouble Code (DTC).>
P0700	Request AT Mil ON	<Ref. to EN(H4SO)(diag)-264, DTC P0700 TRANSMISSION CONTROL SYSTEM (MIL REQUEST), Diagnostic Procedure with Diagnostic Trouble Code (DTC).>
P0851	Neutral Switch Input Circuit Low	<Ref. to EN(H4SO)(diag)-265, DTC P0851 NEUTRAL SWITCH INPUT CIRCUIT LOW (AT MODEL), Diagnostic Procedure with Diagnostic Trouble Code (DTC).> <Ref. to EN(H4SO)(diag)-267, DTC P0851 NEUTRAL SWITCH INPUT CIRCUIT LOW (MT MODEL), Diagnostic Procedure with Diagnostic Trouble Code (DTC).>
P0852	Neutral Switch Input Circuit High	<Ref. to EN(H4SO)(diag)-270, DTC P0852 NEUTRAL SWITCH INPUT CIRCUIT HIGH (AT MODEL), Diagnostic Procedure with Diagnostic Trouble Code (DTC).> <Ref. to EN(H4SO)(diag)-273, DTC P0852 NEUTRAL SWITCH INPUT CIRCUIT HIGH (MT MODEL), Diagnostic Procedure with Diagnostic Trouble Code (DTC).>
P1152	O ₂ Sensor Circuit Range/Performance (Low) (Bank 1 Sensor 1)	<Ref. to EN(H4SO)(diag)-275, DTC P1152 O ₂ SENSOR CIRCUIT RANGE/PERFORMANCE (LOW) (BANK 1 SENSOR 1), Diagnostic Procedure with Diagnostic Trouble Code (DTC).>
P1153	O ₂ Sensor Circuit Range/Performance (High) (Bank 1 Sensor 1)	<Ref. to EN(H4SO)(diag)-277, DTC P1153 O ₂ SENSOR CIRCUIT RANGE/PERFORMANCE (HIGH) (BANK 1 SENSOR 1), Diagnostic Procedure with Diagnostic Trouble Code (DTC).>
P1160	Return Spring Failure	<Ref. to EN(H4SO)(diag)-280, DTC P1160 RETURN SPRING FAILURE, Diagnostic Procedure with Diagnostic Trouble Code (DTC).>
P1400	Fuel Tank Pressure Control Solenoid Valve Circuit Low	<Ref. to EN(H4SO)(diag)-281, DTC P1400 FUEL TANK PRESSURE CONTROL SOLENOID VALVE CIRCUIT LOW, Diagnostic Procedure with Diagnostic Trouble Code (DTC).>
P1420	Fuel Tank Pressure Control Solenoid Valve Circuit High	<Ref. to EN(H4SO)(diag)-284, DTC P1420 FUEL TANK PRESSURE CONTROL SOL. VALVE CIRCUIT HIGH, Diagnostic Procedure with Diagnostic Trouble Code (DTC).>
P1443	Vent Control Solenoid Valve Function Problem	<Ref. to EN(H4SO)(diag)-286, DTC P1443 VENT CONTROL SOLENOID VALVE FUNCTION PROBLEM, Diagnostic Procedure with Diagnostic Trouble Code (DTC).>
P1491	Positive Crankcase Ventilation (Blow-by) Function Problem	<Ref. to EN(H4SO)(diag)-288, DTC P1491 POSITIVE CRANKCASE VENTILATION (BLOW-BY) FUNCTION PROBLEM, Diagnostic Procedure with Diagnostic Trouble Code (DTC).>
P1492	EGR Solenoid Valve Signal #1 Circuit Malfunction (Low Input)	<Ref. to EN(H4SO)(diag)-290, DTC P1492 EGR SOLENOID VALVE SIGNAL #1 CIRCUIT MALFUNCTION (LOW INPUT), Diagnostic Procedure with Diagnostic Trouble Code (DTC).>

List of Diagnostic Trouble Code (DTC)

ENGINE (DIAGNOSTICS)

DTC	Item	Index
P1493	EGR Solenoid Valve Signal #1 Circuit Malfunction (High Input)	<Ref. to EN(H4SO)(diag)-290, DTC P1493 EGR SOLENOID VALVE SIGNAL #1 CIRCUIT MALFUNCTION (HIGH INPUT), Diagnostic Procedure with Diagnostic Trouble Code (DTC).>
P1494	EGR Solenoid Valve Signal #2 Circuit Malfunction (Low Input)	<Ref. to EN(H4SO)(diag)-290, DTC P1494 EGR SOLENOID VALVE SIGNAL #2 CIRCUIT MALFUNCTION (LOW INPUT), Diagnostic Procedure with Diagnostic Trouble Code (DTC).>
P1495	EGR Solenoid Valve Signal #2 Circuit Malfunction (High Input)	<Ref. to EN(H4SO)(diag)-290, DTC P1495 EGR SOLENOID VALVE SIGNAL #2 CIRCUIT MALFUNCTION (HIGH INPUT), Diagnostic Procedure with Diagnostic Trouble Code (DTC).>
P1496	EGR Solenoid Valve Signal #3 Circuit Malfunction (Low Input)	<Ref. to EN(H4SO)(diag)-290, DTC P1496 EGR SOLENOID VALVE SIGNAL #3 CIRCUIT MALFUNCTION (LOW INPUT), Diagnostic Procedure with Diagnostic Trouble Code (DTC).>
P1497	EGR Solenoid Valve Signal #3 Circuit Malfunction (High Input)	<Ref. to EN(H4SO)(diag)-290, DTC P1497 EGR SOLENOID VALVE SIGNAL #3 CIRCUIT MALFUNCTION (HIGH INPUT), Diagnostic Procedure with Diagnostic Trouble Code (DTC).>
P1498	EGR Solenoid Valve Signal #4 Circuit Malfunction (Low Input)	<Ref. to EN(H4SO)(diag)-291, DTC P1498 EGR SOLENOID VALVE SIGNAL #4 CIRCUIT MALFUNCTION (LOW INPUT), Diagnostic Procedure with Diagnostic Trouble Code (DTC).>
P1499	EGR Solenoid Valve Signal #4 Circuit Malfunction (High Input)	<Ref. to EN(H4SO)(diag)-294, DTC P1499 EGR SOLENOID VALVE SIGNAL #4 CIRCUIT MALFUNCTION (HIGH INPUT), Diagnostic Procedure with Diagnostic Trouble Code (DTC).>
P1518	Starter Switch Circuit Low input	<Ref. to EN(H4SO)(diag)-296, DTC P1518 STARTER SWITCH CIRCUIT LOW INPUT, Diagnostic Procedure with Diagnostic Trouble Code (DTC).>
P1560	Back-up Voltage Circuit Malfunction	<Ref. to EN(H4SO)(diag)-299, DTC P1560 BACK-UP VOLTAGE CIRCUIT MALFUNCTION, Diagnostic Procedure with Diagnostic Trouble Code (DTC).>
P1570	Antenna	<Ref. to IM(diag)-22, DTC P1570 ANTENNA, Diagnostic Procedure with Diagnostic Trouble Code (DTC).>
P1571	Reference Code Incompatibility	<Ref. to IM(diag)-15, DTC P1571 REFERENCE CODE INCOMPATIBILITY, Diagnostic Procedure with Diagnostic Trouble Code (DTC).>
P1574	Key Communication Failure	<Ref. to IM(diag)-20, DTC P1574 KEY IMMOBILIZER COMMUNICATION, Diagnostic Procedure with Diagnostic Trouble Code (DTC).>
P1576	EGI Control Module EEPROM	<Ref. to IM(diag)-21, DTC P1576 EGI CONTROL MODULE EEPROM, Diagnostic Procedure with Diagnostic Trouble Code (DTC).>
P1577	IMM Control Module EEPROM	<Ref. to IM(diag)-21, DTC P1577 IMM CONTROL MODULE EEPROM, Diagnostic Procedure with Diagnostic Trouble Code (DTC).>
P2096	Post Catalyst Fuel Trim System Too Lean Bank 1	<Ref. to EN(H4SO)(diag)-300, DTC P2096 POST CATALYST FUEL TRIM SYSTEM TOO LEAN BANK 1, Diagnostic Procedure with Diagnostic Trouble Code (DTC).>
P2097	Post Catalyst Fuel Trim System Too Rich Bank 1	<Ref. to EN(H4SO)(diag)-306, DTC P2097 POST CATALYST FUEL TRIM SYSTEM TOO RICH BANK 1, Diagnostic Procedure with Diagnostic Trouble Code (DTC).>
P2101	Throttle Actuator Control Motor Circuit Range/Performance	<Ref. to EN(H4SO)(diag)-312, DTC P2101 THROTTLE ACTUATOR CONTROL MOTOR CIRCUIT RANGE/PERFORMANCE, Diagnostic Procedure with Diagnostic Trouble Code (DTC).>
P2102	Throttle Actuator Control Motor Circuit Low	<Ref. to EN(H4SO)(diag)-318, DTC P2102 THROTTLE ACTUATOR CONTROL MOTOR CIRCUIT LOW, Diagnostic Procedure with Diagnostic Trouble Code (DTC).>
P2103	Throttle Actuator Control Motor Circuit High	<Ref. to EN(H4SO)(diag)-321, DTC P2103 THROTTLE ACTUATOR CONTROL MOTOR CIRCUIT HIGH, Diagnostic Procedure with Diagnostic Trouble Code (DTC).>
P2109	Throttle/Pedal Position Sensor A Minimum Stop Performance	<Ref. to EN(H4SO)(diag)-323, DTC P2109 THROTTLE/PEDAL POSITION SENSOR A MINIMUM STOP PERFORMANCE, Diagnostic Procedure with Diagnostic Trouble Code (DTC).>
P2122	Throttle/Pedal Position Sensor/Switch "D" Circuit Low Input	<Ref. to EN(H4SO)(diag)-324, DTC P2122 THROTTLE/PEDAL POSITION SENSOR/SWITCH "D" CIRCUIT LOW INPUT, Diagnostic Procedure with Diagnostic Trouble Code (DTC).>

List of Diagnostic Trouble Code (DTC)

ENGINE (DIAGNOSTICS)

DTC	Item	Index
P2123	Throttle/Pedal Position Sensor/ Switch "D" Circuit High Input	<Ref. to EN(H4SO)(diag)-326, DTC P2123 THROTTLE/PEDAL POSITION SENSOR/SWITCH "D" CIRCUIT HIGH INPUT, Diagnostic Procedure with Diagnostic Trouble Code (DTC).>
P2127	Throttle/Pedal Position Sensor/ Switch "E" Circuit Low Input	<Ref. to EN(H4SO)(diag)-328, DTC P2127 THROTTLE/PEDAL POSITION SENSOR/SWITCH "E" CIRCUIT LOW INPUT, Diagnostic Procedure with Diagnostic Trouble Code (DTC).>
P2128	Throttle/Pedal Position Sensor/ Switch "E" Circuit High Input	<Ref. to EN(H4SO)(diag)-330, DTC P2128 THROTTLE/PEDAL POSITION SENSOR/SWITCH "E" CIRCUIT HIGH INPUT, Diagnostic Procedure with Diagnostic Trouble Code (DTC).>
P2135	Throttle/Pedal Position Sensor/ Switch "A"/"B" Voltage Rationality	<Ref. to EN(H4SO)(diag)-332, DTC P2135 THROTTLE/PEDAL POSITION SENSOR/SWITCH "A"/"B" VOLTAGE RATIONALITY, Diagnostic Procedure with Diagnostic Trouble Code (DTC).>
P2138	Throttle/Pedal Position Sensor/ Switch "D"/"E" Voltage Rationality	<Ref. to EN(H4SO)(diag)-337, DTC P2138 THROTTLE/PEDAL POSITION SENSOR/SWITCH "D"/"E" VOLTAGE RATIONALITY, Diagnostic Procedure with Diagnostic Trouble Code (DTC).>
P2227	Atmospheric Pressure Sensor Circuit Range/Performance	<Ref. to EN(H4SO)(diag)-340, DTC P2227 BAROMETRIC PRESSURE TOO LOW, Diagnostic Procedure with Diagnostic Trouble Code (DTC).>
P2228	Atmospheric Pressure Sensor Circuit Malfunction (Low Input)	<Ref. to EN(H4SO)(diag)-340, DTC P2228 ATMOSPHERIC PRESSURE SENSOR CIRCUIT MALFUNCTION (LOW INPUT), Diagnostic Procedure with Diagnostic Trouble Code (DTC).>
P2229	Atmospheric Pressure Sensor Circuit Malfunction (High Input)	<Ref. to EN(H4SO)(diag)-341, DTC P2229 ATMOSPHERIC PRESSURE SENSOR CIRCUIT MALFUNCTION (HIGH INPUT), Diagnostic Procedure with Diagnostic Trouble Code (DTC).>

Diagnostic Procedure with Diagnostic Trouble Code (DTC)

ENGINE (DIAGNOSTICS)

18. Diagnostic Procedure with Diagnostic Trouble Code (DTC)

A: DTC P0026 INTAKE VALVE CONTROL SOLENOID CIRCUIT RANGE/PERFORMANCE (BANK 1)

DTC DETECTING CONDITION:

- Immediately at fault recognition
- GENERAL DESCRIPTION <Ref. to GD(H4SO)-8, DTC P0026 INTAKE VALVE CONTROL SOLENOID CIRCUIT RANGE/PERFORMANCE (BANK 1), Diagnostic Trouble Code (DTC) Detecting Criteria.>

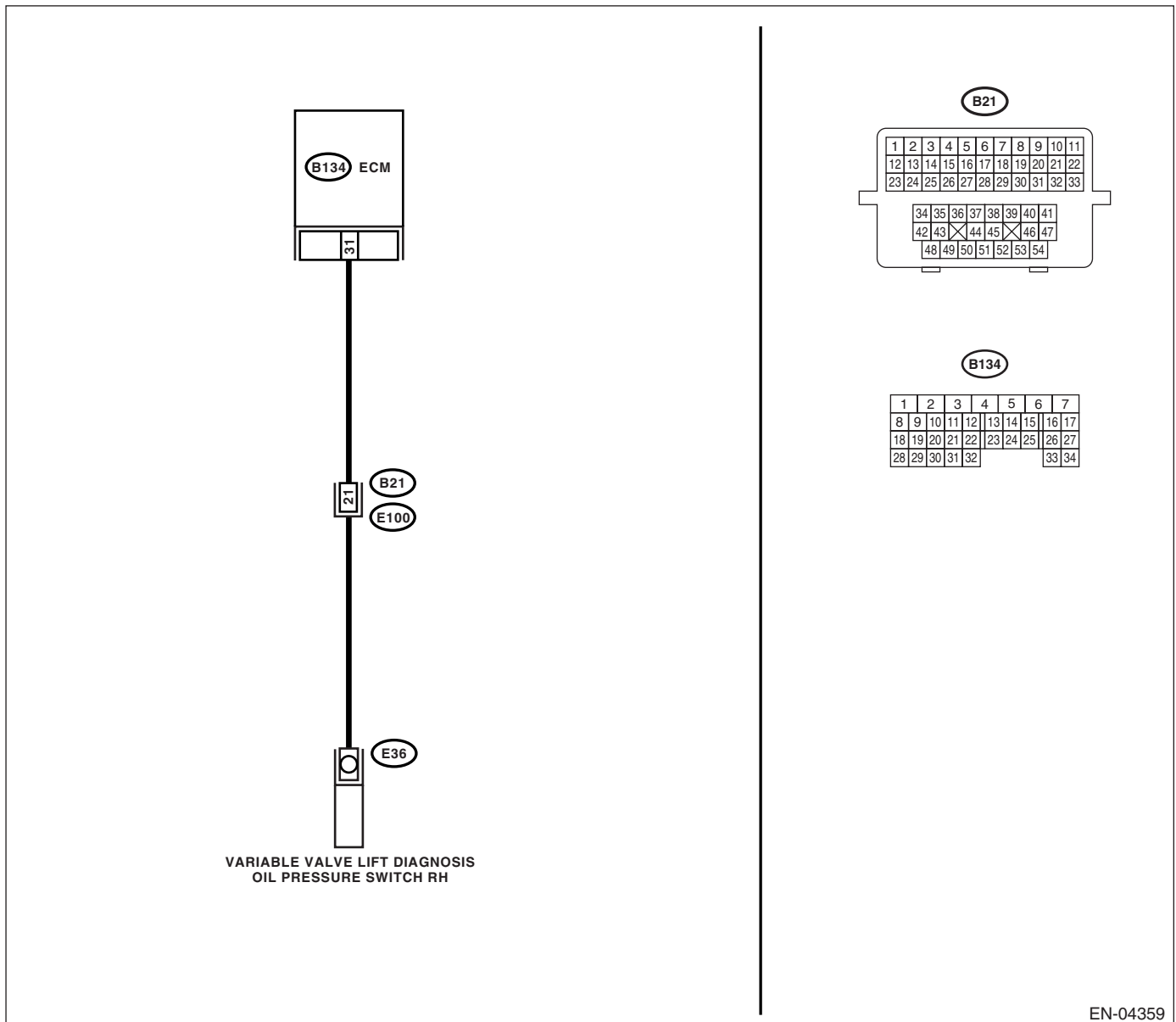
TROUBLE SYMPTOM:

Erroneous idling

CAUTION:

After repair or replacement of faulty parts, conduct Clear Memory Mode <Ref. to EN(H4SO)(diag)-46, OPERATION, Clear Memory Mode.> and Inspection Mode <Ref. to EN(H4SO)(diag)-36, PROCEDURE, Inspection Mode.>.

WIRING DIAGRAM:



EN-04359

Diagnostic Procedure with Diagnostic Trouble Code (DTC)

ENGINE (DIAGNOSTICS)

Step	Check	Yes	No
1 CHECK FOR ANY OTHER DTC ON DISPLAY.	Is any other DTC displayed?	Using the List of "Diagnostic Trouble Code (DTC)", check the appropriate DTC. <Ref. to EN(H4SO)(diag)-73, List of Diagnostic Trouble Code (DTC).>	Go to step 2.
2 CHECK HARNESS BETWEEN ECM AND VARIABLE VALVE LIFT DIAGNOSIS OIL PRESSURE SWITCH CONNECTOR. 1) Idle the engine. 2) Turn the ignition switch to OFF. 3) Disconnect the connector from ECM and variable valve lift diagnosis oil pressure switch connector. 4) Measure the resistance of harness between variable valve lift diagnosis oil pressure switch connector and engine ground. Connector & terminal (E36) No. 1 — Engine ground:	Is the resistance more than 1 M Ω ?	Go to step 3.	Repair the ground short circuit in harness between ECM and variable valve lift diagnosis oil pressure switch connector.
3 CHECK HARNESS BETWEEN ECM AND VARIABLE VALVE LIFT DIAGNOSIS OIL PRESSURE SWITCH CONNECTOR. Measure the resistance of harness between ECM and variable valve lift diagnosis oil pressure switch connector. Connector & terminal (B134) No. 31 — (E36) No. 1:	Is the resistance less than 1 Ω ?	Replace the variable valve lift diagnosis oil pressure switch. <Ref. to FU(H4SO)-34, Variable Valve Lift Diagnosis Oil Pressure Switch.> Go to step 4.	Repair the open circuit in harness between ECM and variable valve lift diagnosis oil pressure switch connector.
4 CHECK DTC. 1) Erase the memory. <Ref. to EN(H4SO)(diag)-46, Clear Memory Mode.> 2) After idling the engine, check the DTC.	Is the DTC displayed?	Replace the oil switching solenoid valve. <Ref. to ME(H4SO)-85, Oil Switching Solenoid Valve.>	Finish the diagnosis.
5 CHECK DTC. 1) Erase the memory. <Ref. to EN(H4SO)(diag)-46, Clear Memory Mode.> 2) After idling the engine, check the DTC.	Is the DTC displayed?	Check the oil passage. Contact your SOA Service Center since deterioration of some parts may be the cause.	Finish the diagnosis.

Diagnostic Procedure with Diagnostic Trouble Code (DTC)

ENGINE (DIAGNOSTICS)

B: DTC P0028 INTAKE VALVE CONTROL SOLENOID CIRCUIT RANGE/PERFORMANCE (BANK 2)

DTC DETECTING CONDITION:

- Immediately at fault recognition
- GENERAL DESCRIPTION <Ref. to GD(H4SO)-10, DTC P0028 INTAKE VALVE CONTROL SOLENOID CIRCUIT RANGE/PERFORMANCE (BANK 2), Diagnostic Trouble Code (DTC) Detecting Criteria.>

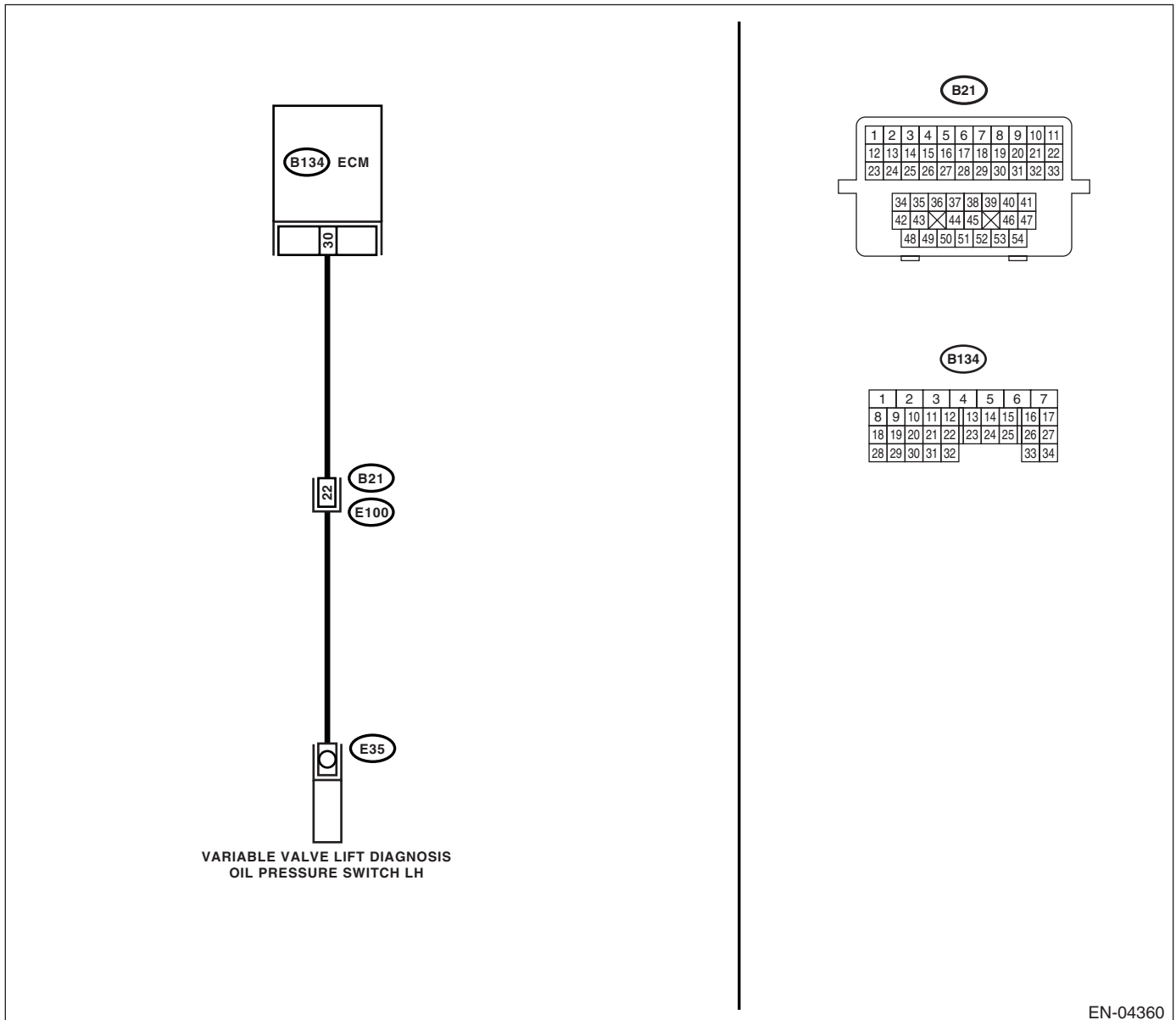
TROUBLE SYMPTOM:

Erroneous idling

CAUTION:

After repair or replacement of faulty parts, conduct Clear Memory Mode <Ref. to EN(H4SO)(diag)-46, OPERATION, Clear Memory Mode.> and Inspection Mode <Ref. to EN(H4SO)(diag)-36, PROCEDURE, Inspection Mode.>.

WIRING DIAGRAM:



EN-04360

Diagnostic Procedure with Diagnostic Trouble Code (DTC)

ENGINE (DIAGNOSTICS)

Step	Check	Yes	No
1 CHECK FOR ANY OTHER DTC ON DISPLAY.	Is any other DTC displayed?	Using the List of "Diagnostic Trouble Code (DTC)", check the appropriate DTC. <Ref. to EN(H4SO)(diag)-73, List of Diagnostic Trouble Code (DTC).>	Go to step 2.
2 CHECK HARNESS BETWEEN ECM AND VARIABLE VALVE LIFT DIAGNOSIS OIL PRESSURE SWITCH CONNECTOR. 1) Idle the engine. 2) Turn the ignition switch to OFF. 3) Disconnect the connector from ECM and variable valve lift diagnosis oil pressure switch connector. 4) Measure the resistance of harness between variable valve lift diagnosis oil pressure switch connector and engine ground. Connector & terminal (E35) No. 1 — Engine ground:	Is the resistance more than 1 M Ω ?	Go to step 3.	Repair the ground short circuit in harness between ECM and variable valve lift diagnosis oil pressure switch connector.
3 CHECK HARNESS BETWEEN ECM AND VARIABLE VALVE LIFT DIAGNOSIS OIL PRESSURE SWITCH CONNECTOR. Measure the resistance of harness between ECM and variable valve lift diagnosis oil pressure switch connector. Connector & terminal (B134) No. 30 — (E35) No. 1:	Is the resistance less than 1 Ω ?	Replace the variable valve lift diagnosis oil pressure switch. <Ref. to FU(H4SO)-34, Variable Valve Lift Diagnosis Oil Pressure Switch.> Go to step 4.	Repair the open circuit in harness between ECM and variable valve lift diagnosis oil pressure switch connector.
4 CHECK DTC. 1) Erase the memory. <Ref. to EN(H4SO)(diag)-46, Clear Memory Mode.> 2) After idling the engine, check the DTC.	Is the DTC displayed?	Replace the oil switching solenoid valve. <Ref. to ME(H4SO)-85, Oil Switching Solenoid Valve.> Go to step 5.	Finish the diagnosis.
5 CHECK DTC. 1) Erase the memory. <Ref. to EN(H4SO)(diag)-46, Clear Memory Mode.> 2) After idling the engine, check the DTC.	Is the DTC displayed?	Check the oil passage. Contact your SOA Service Center since deterioration of some parts may be the cause.	Finish the diagnosis.

Diagnostic Procedure with Diagnostic Trouble Code (DTC)

ENGINE (DIAGNOSTICS)

C: DTC P0030 HO2S HEATER CONTROL CIRCUIT (BANK 1 SENSOR 1)

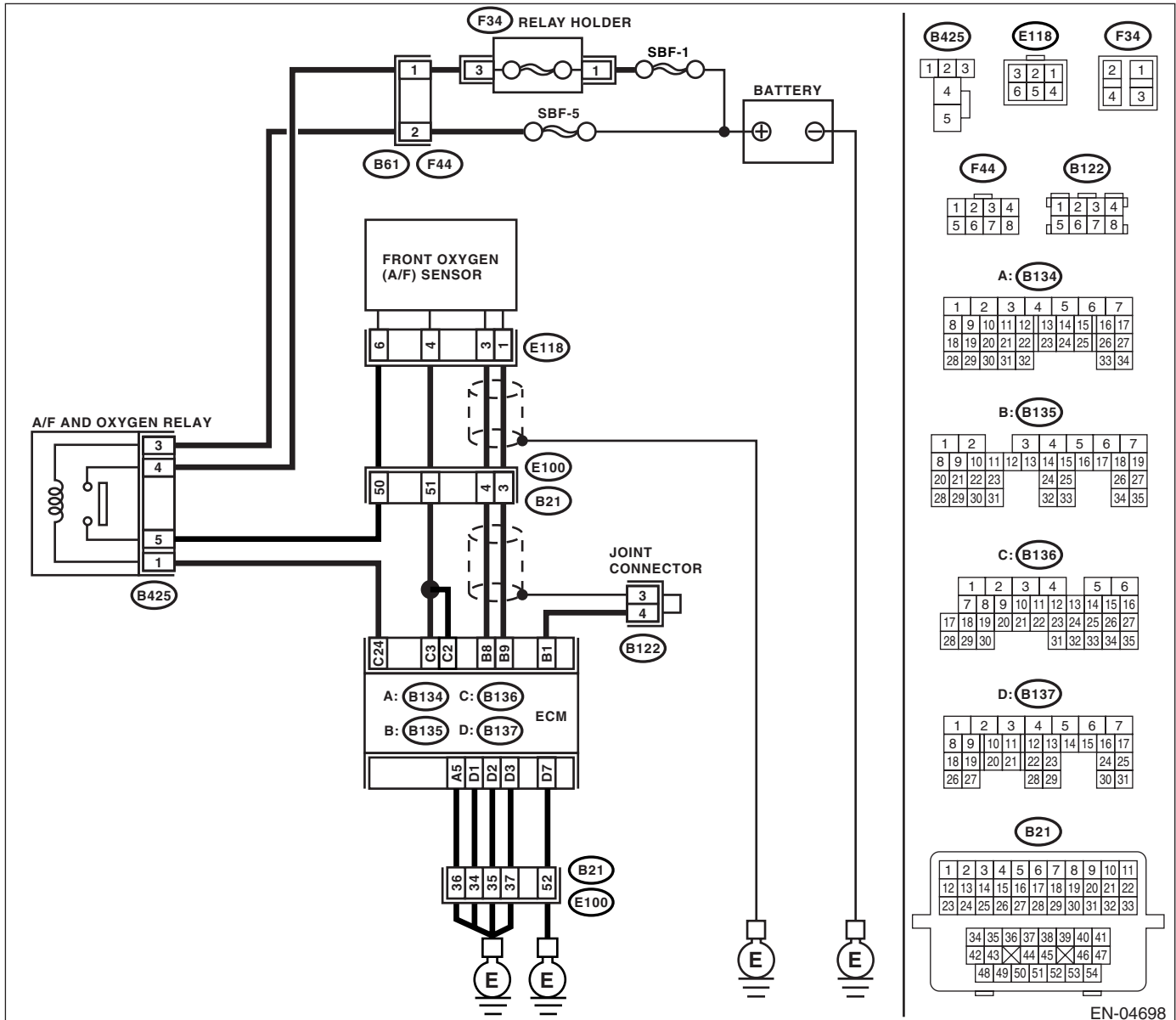
DTC DETECTING CONDITION:

- Two consecutive driving cycles with fault
- GENERAL DESCRIPTION <Ref. to GD(H4SO)-11, DTC P0030 HO2S HEATER CONTROL CIRCUIT (BANK 1 SENSOR 1), Diagnostic Trouble Code (DTC) Detecting Criteria.>

CAUTION:

After repair or replacement of faulty parts, conduct Clear Memory Mode <Ref. to EN(H4SO)(diag)-46, OPERATION, Clear Memory Mode.> and Inspection Mode <Ref. to EN(H4SO)(diag)-36, PROCEDURE, Inspection Mode.>.

WIRING DIAGRAM:



Diagnostic Procedure with Diagnostic Trouble Code (DTC)

ENGINE (DIAGNOSTICS)

Step	Check	Yes	No
<p>1 CHECK HARNESS BETWEEN ECM AND FRONT OXYGEN (A/F) SENSOR CONNECTOR.</p> <p>1) Start the engine and warm-up engine. 2) Turn the ignition switch to OFF. 3) Disconnect the connectors from ECM and front oxygen (A/F) sensor. 4) Measure the resistance of harness between ECM and front oxygen (A/F) sensor connector.</p> <p>Connector & terminal (B136) No. 2 — (E118) No. 4: (B136) No. 3 — (E118) No. 4:</p>	Is the resistance less than 1 Ω ?	Go to step 2.	Repair the open circuit in harness between ECM and front oxygen (A/F) sensor connector.
<p>2 CHECK HARNESS BETWEEN ECM AND FRONT OXYGEN (A/F) SENSOR CONNECTOR.</p> <p>Measure the resistance of harness between ECM and front oxygen (A/F) sensor connector.</p> <p>Connector & terminal (B135) No. 9 — (E118) No. 1: (B135) No. 8 — (E118) No. 3:</p>	Is the resistance less than 1 Ω ?	Go to step 3.	Repair the open circuit in harness between main relay and front oxygen (A/F) sensor connector.
<p>3 CHECK HARNESS BETWEEN A/F AND OXYGEN SENSOR RELAY AND FRONT OXYGEN (A/F) SENSOR CONNECTOR.</p> <p>Measure the resistance of harness between main relay and front oxygen (A/F) sensor connector.</p> <p>Connector & terminal (B425) No. 5 — (E118) No. 6:</p>	Is the resistance less than 1 Ω ?	Go to step 4.	Repair the open circuit in harness between A/F and oxygen sensor relay and front oxygen (A/F) sensor connector.
<p>4 CHECK FRONT OXYGEN (A/F) SENSOR.</p> <p>Measure the resistance between front oxygen (A/F) sensor connector terminals.</p> <p>Terminals No. 3 — No. 4:</p>	Is the resistance less than 5 Ω ?	Go to step 5.	Replace the front oxygen (A/F) sensor. <Ref. to FU(H4SO)-36, Front Oxygen (A/F) Sensor.>
<p>5 CHECK POOR CONTACT.</p> <p>Check the poor contact in ECM and front oxygen (A/F) sensor connector.</p>	Is there poor contact in ECM or front oxygen (A/F) sensor connector?	Repair the poor contact in ECM or front oxygen (A/F) sensor connector.	Replace the front oxygen (A/F) sensor. <Ref. to FU(H4SO)-36, Front Oxygen (A/F) Sensor.>

Diagnostic Procedure with Diagnostic Trouble Code (DTC)

ENGINE (DIAGNOSTICS)

D: DTC P0031 HO2S HEATER CONTROL CIRCUIT LOW (BANK 1 SENSOR 1)

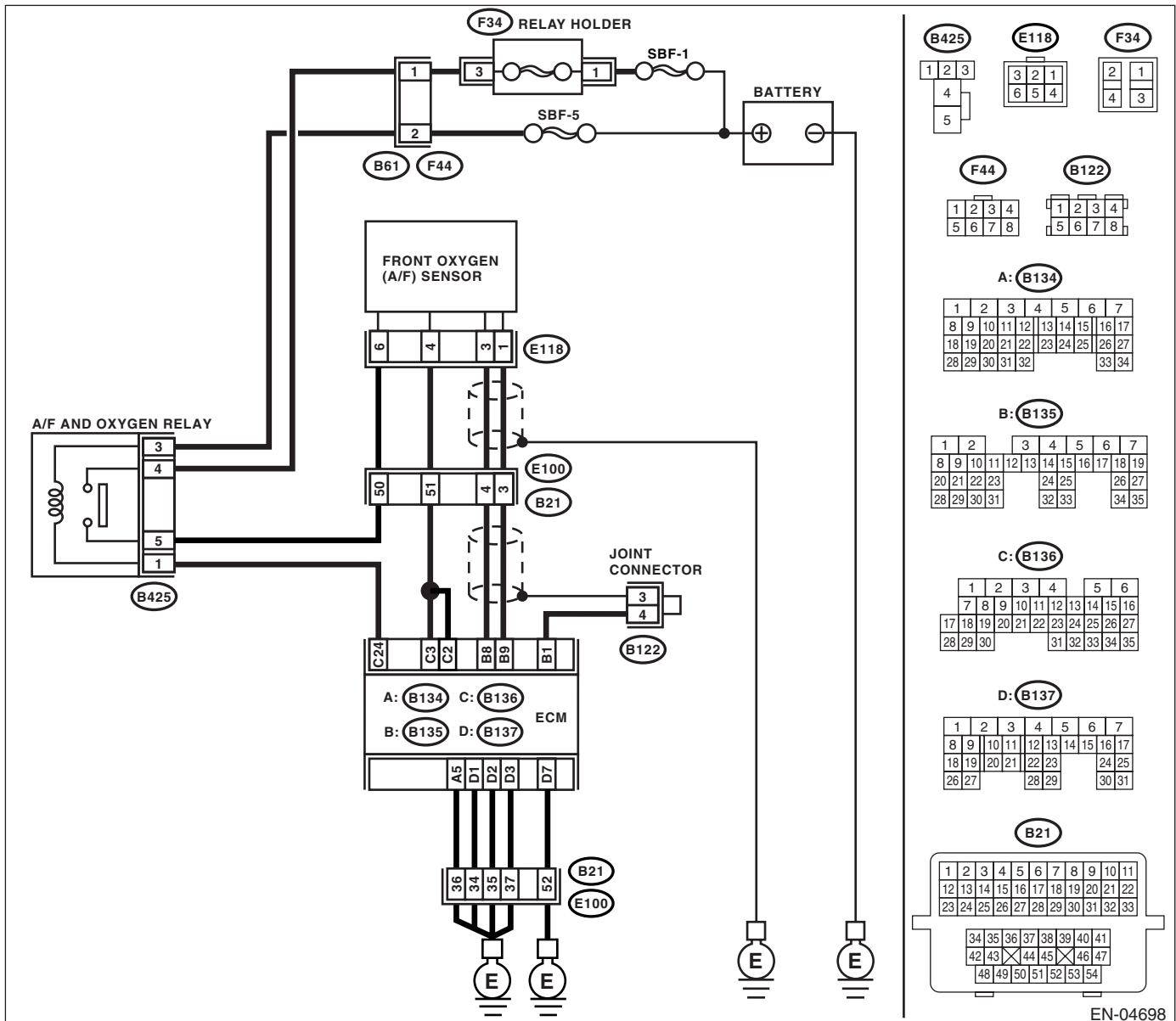
DTC DETECTING CONDITION:

- Immediately at fault recognition
- GENERAL DESCRIPTION <Ref. to GD(H4SO)-12, DTC P0031 HO2S HEATER CONTROL CIRCUIT LOW (BANK 1 SENSOR 1), Diagnostic Trouble Code (DTC) Detecting Criteria.>

CAUTION:

After repair or replacement of faulty parts, conduct Clear Memory Mode <Ref. to EN(H4SO)(diag)-46, OPERATION, Clear Memory Mode.> and Inspection Mode <Ref. to EN(H4SO)(diag)-36, PROCEDURE, Inspection Mode.>.

WIRING DIAGRAM:



Diagnostic Procedure with Diagnostic Trouble Code (DTC)

ENGINE (DIAGNOSTICS)

Step	Check	Yes	No
1	CHECK ANY OTHER DTC ON DISPLAY.	Go to step 2.	Go to step 5.
2	CHECK POWER SUPPLY TO FRONT OXYGEN (A/F) SENSOR. 1) Turn the ignition switch to OFF. 2) Disconnect the connector from front oxygen (A/F) sensor. 3) Turn the ignition switch to ON. 4) Measure the voltage between front oxygen (A/F) sensor connector and engine ground. Connector & terminal (E118) No. 6 (+) — Engine ground (-):	Go to step 3.	Repair power supply line. NOTE: In this case, repair the following: • Open circuit in harness between main relay and front oxygen (A/F) sensor connector • Poor contact in front oxygen (A/F) sensor connector • Poor contact in main relay connector
3	CHECK GROUND CIRCUIT OF ECM. Measure the resistance of harness between ECM connector and chassis ground. Connector & terminal (B134) No. 5 — Chassis ground: (B137) No. 1 — Chassis ground: (B137) No. 2 — Chassis ground: (B137) No. 3 — Chassis ground: (B137) No. 7 — Chassis ground:	Go to step 4.	Repair harness and connector. NOTE: In this case, repair the following: • Open circuit in harness between ECM and engine ground terminal • Poor contact in ECM connector • Poor contact in coupling connector
4	CHECK CURRENT DATA. 1) Start the engine. 2) Read the data of front oxygen (A/F) sensor heater current using Subaru Select Monitor or general scan tool. NOTE: • Subaru Select Monitor For detailed operation procedure, refer to the "READ CURRENT DATA FOR ENGINE". <Ref. to EN(H4SO)(diag)-28, Subaru Select Monitor.> • General scan tool For detailed operation procedures, refer to the General Scan Tool Instruction Manual.	Is the current more than 0.2 A? Repair poor contact in connector. NOTE: In this case, repair the following: • Poor contact in front oxygen (A/F) sensor connector • Poor contact in ECM connector	Go to step 5.
5	CHECK INPUT SIGNAL FROM ECM. 1) Start and idle the engine. 2) Measure the voltage between ECM connector and chassis ground. Connector & terminal (B136) No. 3 (+) — Chassis ground (-): (B136) No. 2 (+) — Chassis ground (-):	Go to step 7.	Go to step 6.
6	CHECK OUTPUT SIGNAL FROM ECM. Measure the voltage between ECM connector and chassis ground. Connector & terminal (B136) No. 3 (+) — Chassis ground (-): (B136) No. 2 (+) — Chassis ground (-):	Does the voltage change by shaking the ECM harness and connector? Repair poor contact in ECM connector.	Go to step 7.

Diagnostic Procedure with Diagnostic Trouble Code (DTC)

ENGINE (DIAGNOSTICS)

Step	Check	Yes	No
<p>7</p> <p>CHECK FRONT OXYGEN (A/F) SENSOR.</p> <p>1) Turn the ignition switch to OFF.</p> <p>2) Measure the resistance between front oxygen (A/F) sensor connector terminals.</p> <p>Terminals</p> <p>No. 4 — No. 6:</p>	<p>Is the resistance less than 10 Ω?</p>	<p>Repair harness and connector.</p> <p>NOTE: In this case, repair the following:</p> <ul style="list-style-type: none">• Open or ground short circuit in harness between front oxygen (A/F) sensor and ECM connector• Poor contact in front oxygen (A/F) sensor connector• Poor contact in ECM connector	<p>Replace the front oxygen (A/F) sensor. <Ref. to FU(H4SO)-36, Front Oxygen (A/F) Sensor.></p>

Diagnostic Procedure with Diagnostic Trouble Code (DTC)

ENGINE (DIAGNOSTICS)

E: DTC P0032 HO2S HEATER CONTROL CIRCUIT HIGH (BANK 1 SENSOR 1)

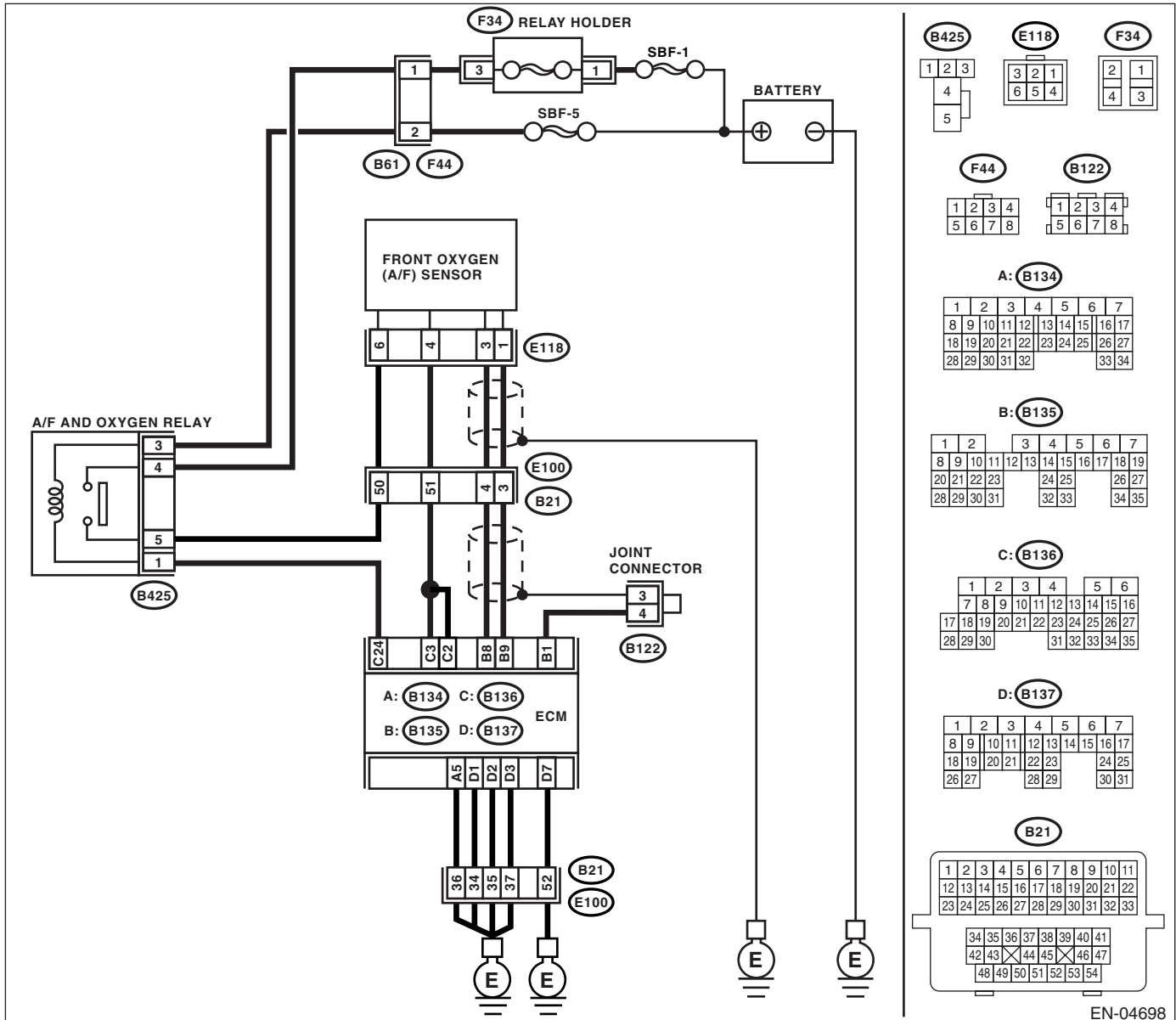
DTC DETECTING CONDITION:

- Immediately at fault recognition
- GENERAL DESCRIPTION <Ref. to GD(H4SO)-14, DTC P0032 HO2S HEATER CONTROL CIRCUIT HIGH (BANK 1 SENSOR 1), Diagnostic Trouble Code (DTC) Detecting Criteria.>

CAUTION:

After repair or replacement of faulty parts, conduct Clear Memory Mode <Ref. to EN(H4SO)(diag)-46, OPERATION, Clear Memory Mode.> and Inspection Mode <Ref. to EN(H4SO)(diag)-36, PROCEDURE, Inspection Mode.>.

WIRING DIAGRAM:



EN-04698

Diagnostic Procedure with Diagnostic Trouble Code (DTC)

ENGINE (DIAGNOSTICS)

Step	Check	Yes	No
1 CHECK OUTPUT SIGNAL FROM ECM. 1) Turn the ignition switch to ON. 2) Measure the voltage between ECM connector and chassis ground. Connector & terminal <i>(B136) No. 2 (+) — Chassis ground (-):</i> <i>(B136) No. 3 (+) — Chassis ground (-):</i>	Is the voltage more than 8 V?	Go to step 2.	Go to step 3.
2 CHECK FRONT OXYGEN (A/F) SENSOR HEATER CURRENT. 1) Turn the ignition switch to OFF. 2) Repair the battery short circuit in harness between ECM and front oxygen (A/F) sensor connector. 3) Turn the ignition switch to ON. 4) Read the data of front oxygen (A/F) sensor heater current using Subaru Select Monitor or the general scan tool. NOTE: <ul style="list-style-type: none"> • Subaru Select Monitor For detailed operation procedure, refer to the "READ CURRENT DATA FOR ENGINE". <Ref. to EN(H4SO)(diag)-28, Subaru Select Monitor.> <ul style="list-style-type: none"> • General scan tool For detailed operation procedure, refer to the General Scan Tool Instruction Manual.	Is the current more than 2.3 A?	Replace the ECM. <Ref. to FU(H4SO)-38, Engine Control Module (ECM).>	Finish the diagnosis.
3 CHECK OUTPUT SIGNAL FROM ECM. Measure the voltage between ECM connector and chassis ground. Connector & terminal <i>(B136) No. 2 (+) — Chassis ground (-):</i> <i>(B136) No. 3 (+) — Chassis ground (-):</i>	Does the voltage change by shaking the ECM harness and connector?	Repair battery short circuit in harness between ECM and front oxygen (A/F) sensor connector.	Finish the diagnosis.

Diagnostic Procedure with Diagnostic Trouble Code (DTC)

ENGINE (DIAGNOSTICS)

F: DTC P0037 HO2S HEATER CONTROL CIRCUIT LOW (BANK 1 SENSOR 2)

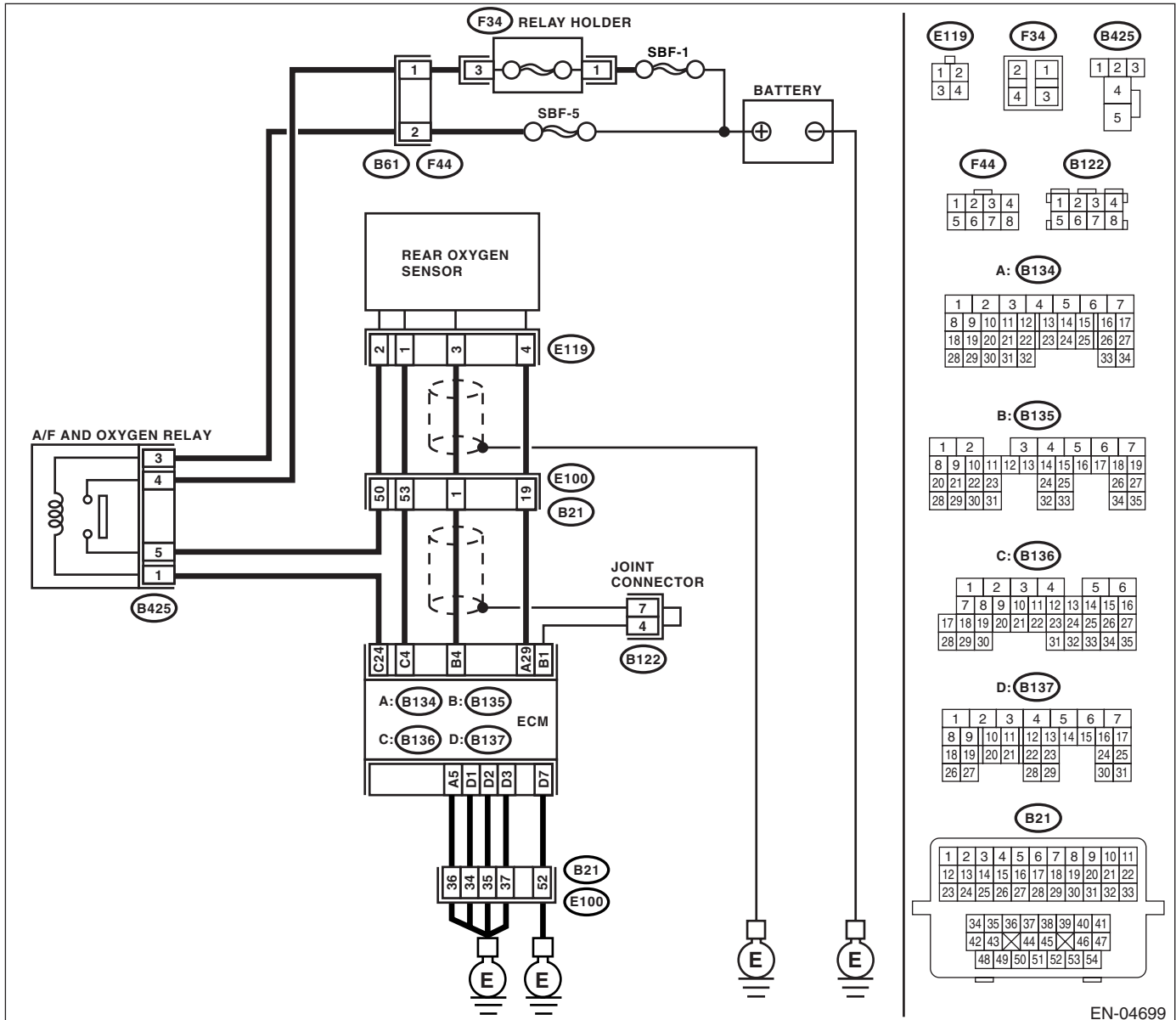
DTC DETECTING CONDITION:

- Two consecutive driving cycles with fault
- GENERAL DESCRIPTION <Ref. to GD(H4SO)-16, DTC P0037 HO2S HEATER CONTROL CIRCUIT LOW (BANK 1 SENSOR 2), Diagnostic Trouble Code (DTC) Detecting Criteria.>

CAUTION:

After repair or replacement of faulty parts, conduct Clear Memory Mode <Ref. to EN(H4SO)(diag)-46, OPERATION, Clear Memory Mode.> and Inspection Mode <Ref. to EN(H4SO)(diag)-36, PROCEDURE, Inspection Mode.>.

WIRING DIAGRAM:



EN-04699

Diagnostic Procedure with Diagnostic Trouble Code (DTC)

ENGINE (DIAGNOSTICS)

Step	Check	Yes	No
1 CHECK GROUND CIRCUIT OF ECM. 1) Turn the ignition switch to OFF. 2) Disconnect the connector from ECM. 3) Measure the resistance of harness between ECM connector and chassis ground. Connector & terminal <i>(B134) No. 5 — Chassis ground:</i> <i>(B137) No. 1 — Chassis ground:</i> <i>(B137) No. 2 — Chassis ground:</i> <i>(B137) No. 3 — Chassis ground:</i> <i>(B137) No. 7 — Chassis ground:</i>	Is the resistance less than 5 Ω?	Go to step 2.	Repair harness and connector. NOTE: In this case, repair the following: <ul style="list-style-type: none"> • Open circuit in harness between ECM and engine ground terminal • Poor contact in ECM connector • Poor contact in coupling connector
2 CHECK CURRENT DATA. 1) Start the engine. 2) Read the data of rear oxygen sensor heater current using Subaru Select Monitor or general scan tool. NOTE: <ul style="list-style-type: none"> • Subaru Select Monitor For detailed operation procedure, refer to the "READ CURRENT DATA FOR ENGINE". <Ref. to EN(H4SO)(diag)-28, Subaru Select Monitor.> <ul style="list-style-type: none"> • General scan tool For detailed operation procedures, refer to the General Scan Tool Instruction Manual.	Is the current more than 0.2 A?	Repair the connector. NOTE: In this case, repair the following: <ul style="list-style-type: none"> • Poor contact in rear oxygen sensor connector • Poor contact in rear oxygen sensor connecting harness connector • Poor contact in ECM connector 	Go to step 3.
3 CHECK OUTPUT SIGNAL FROM ECM. 1) Start and idle the engine. 2) Measure the voltage between ECM connector and chassis ground. Connector & terminal <i>(B136) No. 4 (+) — Chassis ground (-):</i>	Is the voltage less than 1 V?	Go to step 6.	Go to step 4.
4 CHECK OUTPUT SIGNAL FROM ECM. Measure the voltage between ECM connector and chassis ground. Connector & terminal <i>(B136) No. 4 (+) — Chassis ground (-):</i>	Does the voltage change by shaking the ECM harness and connector?	Repair poor contact in ECM connector.	Go to step 5.
5 CHECK OUTPUT SIGNAL FROM ECM. 1) Disconnect the connector from rear oxygen sensor. 2) Measure the voltage between ECM connector and chassis ground. Connector & terminal <i>(B136) No. 4 (+) — Chassis ground (-):</i>	Is the voltage less than 1 V?	Replace the ECM. <Ref. to FU(H4SO)-38, Engine Control Module (ECM).>	Repair battery short circuit in harness between ECM and rear oxygen sensor connector. After repair, replace the ECM. <Ref. to FU(H4SO)-38, Engine Control Module (ECM).>

Diagnostic Procedure with Diagnostic Trouble Code (DTC)

ENGINE (DIAGNOSTICS)

Step	Check	Yes	No
<p>6</p> <p>CHECK POWER SUPPLY TO REAR OXYGEN SENSOR.</p> <p>1) Turn the ignition switch to OFF. 2) Disconnect the connector from rear oxygen sensor. 3) Turn the ignition switch to ON. 4) Measure the voltage between rear oxygen sensor connector and engine ground or chassis ground.</p> <p>Connector & terminal (E119) No. 2 (+) — Chassis ground (-):</p>	<p>Is the voltage more than 10 V?</p>	<p>Go to step 7.</p>	<p>Repair power supply line.</p> <p>NOTE: In this case, repair the following:</p> <ul style="list-style-type: none"> • Open circuit in harness between main relay and rear oxygen sensor connector • Poor contact in rear oxygen sensor connector • Poor contact in coupling connector
<p>7</p> <p>CHECK REAR OXYGEN SENSOR.</p> <p>1) Turn the ignition switch to OFF. 2) Measure the resistance between rear oxygen sensor connector terminals.</p> <p>Terminals No. 1 — No. 2:</p>	<p>Is the resistance less than 30 Ω?</p>	<p>Repair harness and connector.</p> <p>NOTE: In this case, repair the following:</p> <ul style="list-style-type: none"> • Open circuit in harness between rear oxygen sensor and ECM connector • Poor contact in rear oxygen sensor connector • Poor contact in ECM connector • Poor contact in coupling connector 	<p>Replace the rear oxygen sensor.</p> <p><Ref. to FU(H4SO)-37, Rear Oxygen Sensor.></p>

Diagnostic Procedure with Diagnostic Trouble Code (DTC)

ENGINE (DIAGNOSTICS)

G: DTC P0038 HO2S HEATER CONTROL CIRCUIT HIGH (BANK 1 SENSOR 2)

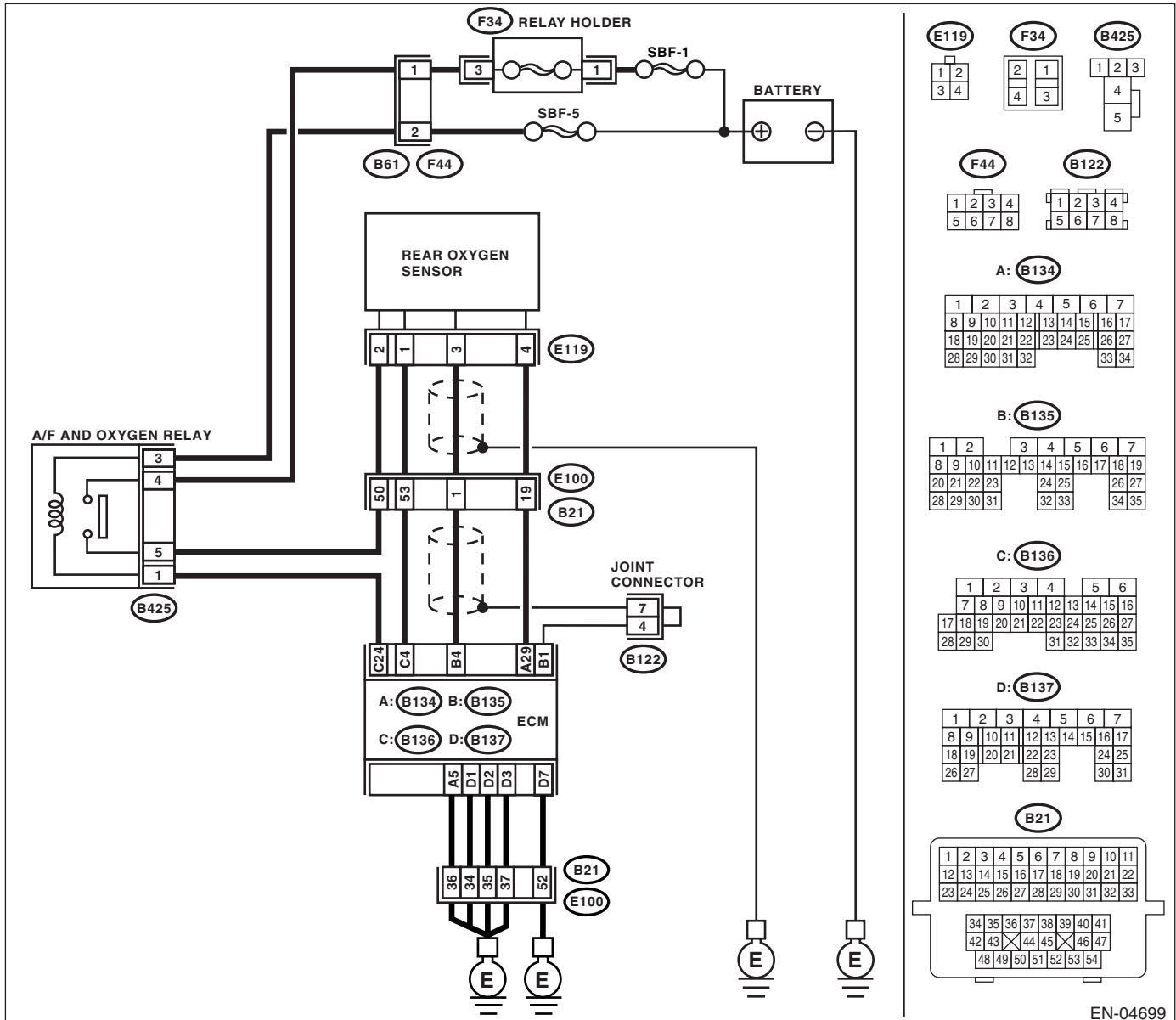
DTC DETECTING CONDITION:

- Two consecutive driving cycles with fault
- GENERAL DESCRIPTION <Ref. to GD(H4SO)-17, DTC P0038 HO2S HEATER CONTROL CIRCUIT HIGH (BANK 1 SENSOR 2), Diagnostic Trouble Code (DTC) Detecting Criteria.>

CAUTION:

After repair or replacement of faulty parts, conduct Clear Memory Mode <Ref. to EN(H4SO)(diag)-46, OPERATION, Clear Memory Mode.> and Inspection Mode <Ref. to EN(H4SO)(diag)-36, PROCEDURE, Inspection Mode.>.

WIRING DIAGRAM:



EN-04699

Diagnostic Procedure with Diagnostic Trouble Code (DTC)

ENGINE (DIAGNOSTICS)

Step	Check	Yes	No
1 CHECK INPUT SIGNAL FOR ECM. Measure the voltage between ECM connector and chassis ground. <i>Connector & terminal</i> <i>(B136) No. 4 (+) — Chassis ground (-):</i>	Is the voltage more than 8 V?	Go to step 2.	Go to step 3.
2 CHECK CURRENT DATA. 1) Turn the ignition switch to OFF. 2) Repair the battery short circuit in harness between ECM and rear oxygen sensor connector. 3) Turn the ignition switch to ON. 4) Read the data of rear oxygen sensor heater current using Subaru Select Monitor or the general scan tool. NOTE: • Subaru Select Monitor For detailed operation procedure, refer to the "READ CURRENT DATA FOR ENGINE". <Ref. to EN(H4SO)(diag)-28, Subaru Select Monitor.> • General scan tool For detailed operation procedure, refer to the General Scan Tool Instruction Manual.	Is the current more than 7 A?	Replace the ECM. <Ref. to FU(H4SO)-38, Engine Control Module (ECM).>	Finish the diagnosis.
3 CHECK POOR CONTACT. Check poor contact in ECM connector.	Is there poor contact in ECM connector?	Repair poor contact in ECM connector.	Finish the diagnosis.

Diagnostic Procedure with Diagnostic Trouble Code (DTC)

ENGINE (DIAGNOSTICS)

H: DTC P0068 MANIFOLD ABSOLUTE PRESSURE SENSOR RANGE/PERFORMANCE

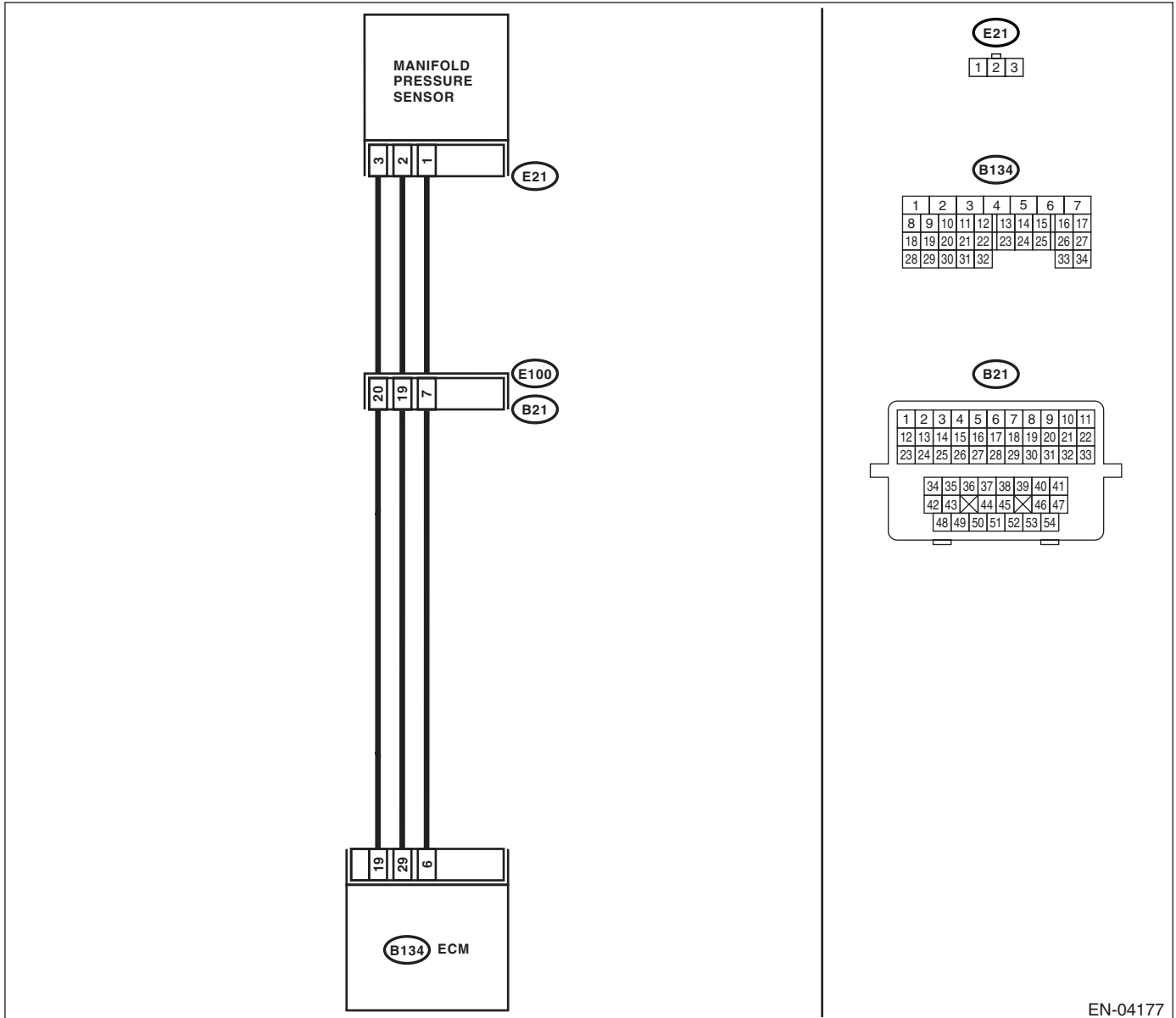
DTC DETECTING CONDITION:

- Two consecutive driving cycles with fault
- GENERAL DESCRIPTION <Ref. to GD(H4SO)-19, DTC P0068 MANIFOLD PRESSURE SENSOR RANGE/PERFORMANCE, Diagnostic Trouble Code (DTC) Detecting Criteria.>

CAUTION:

After repair or replacement of faulty parts, conduct Clear Memory Mode <Ref. to EN(H4SO)(diag)-46, OPERATION, Clear Memory Mode.> and Inspection Mode <Ref. to EN(H4SO)(diag)-36, PROCEDURE, Inspection Mode.>.

WIRING DIAGRAM:



EN-04177

Diagnostic Procedure with Diagnostic Trouble Code (DTC)

ENGINE (DIAGNOSTICS)

Step	Check	Yes	No	
1	CHECK ANY OTHER DTC ON DISPLAY.	Is any other DTC displayed?	Inspect DTC using "List of Diagnostic Trouble Code (DTC)". <Ref. to EN(H4SO)(diag)-73, List of Diagnostic Trouble Code (DTC).>	Go to step 2.
2	CHECK AIR INTAKE SYSTEM.	Are there holes, loose bolts or disconnection of hose on air intake system?	Repair air intake system.	Go to step 3.
3	CHECK MANIFOLD ABSOLUTE PRESSURE SENSOR. 1) Start the engine and warm-up engine until coolant temperature is greater than 60°C (140°F). 2) Place the selector lever or shift lever in "P" or "N" position. 3) Turn the A/C switch to OFF. 4) All accessory switches OFF. 5) Read the data of intake manifold absolute pressure sensor signal using Subaru Select Monitor or general scan tool. NOTE: • Subaru Select Monitor For detailed operation procedures, refer to "READ CURRENT DATA FOR ENGINE". <Ref. to EN(H4SO)(diag)-28, Subaru Select Monitor.> • General scan tool For detailed operation procedures, refer to the General Scan Tool Instruction Manual.	Ignition ON: Is the measured value 73.3 — 106.6 kPa (550 — 800 mmHg, 21.65 — 31.50 inHg)? Idling: Is the measured value 20.0 — 46.7 kPa (150 — 350 mmHg, 5.91 — 13.78 inHg)?	Go to step 4.	Replace the manifold absolute pressure sensor. <Ref. to FU(H4SO)-27, Manifold Absolute Pressure Sensor.>
4	CHECK THROTTLE POSITION. Read the data of throttle position signal using Subaru Select Monitor or general scan tool. NOTE: • Subaru Select Monitor For detailed operation procedures, refer to "READ CURRENT DATA FOR ENGINE". <Ref. to EN(H4SO)(diag)-28, Subaru Select Monitor.> • General scan tool For detailed operation procedures, refer to the General Scan Tool Instruction Manual.	Is the measured value less than 5% when throttle is fully closed?	Go to step 5.	Adjust or replace the throttle position sensor. <Ref. to FU(H4SO)-26, Throttle Position Sensor.>
5	CHECK THROTTLE POSITION.	Is the measured value more than 85% when throttle is wide open?	Replace the manifold absolute pressure sensor. <Ref. to FU(H4SO)-27, Manifold Absolute Pressure Sensor.>	Replace the throttle position sensor. <Ref. to FU(H4SO)-26, Throttle Position Sensor.>

Diagnostic Procedure with Diagnostic Trouble Code (DTC)

ENGINE (DIAGNOSTICS)

I: DTC P0076 INTAKE VALVE CONTROL SOLENOID CIRCUIT LOW (BANK 1)

DTC DETECTING CONDITION:

- Immediately at fault recognition
- GENERAL DESCRIPTION <Ref. to GD(H4SO)-21, DTC P0076 INTAKE VALVE CONTROL CIRCUIT LOW (BANK 1), Diagnostic Trouble Code (DTC) Detecting Criteria.>

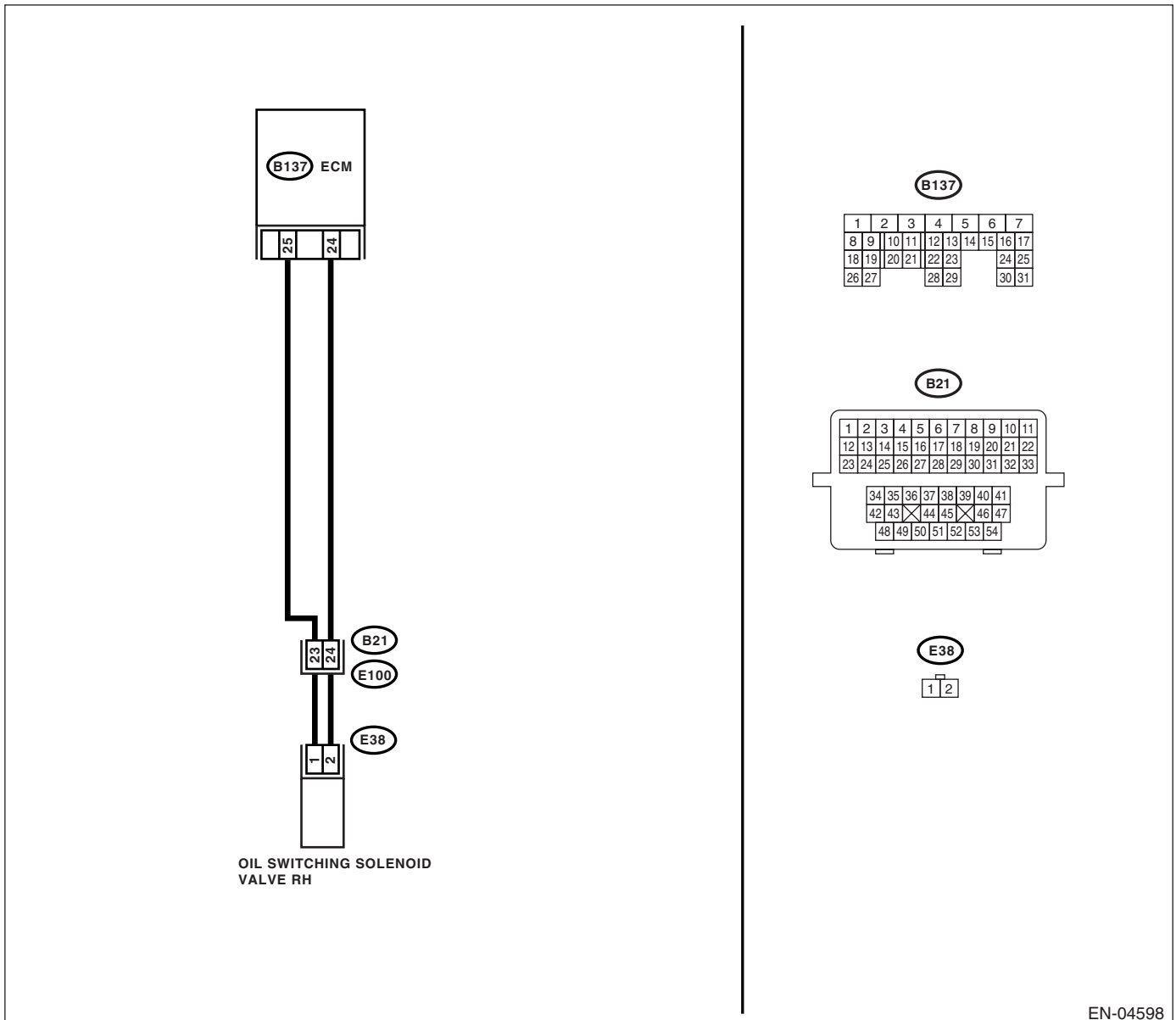
TROUBLE SYMPTOM:

Erroneous idling

CAUTION:

After repair or replacement of faulty parts, conduct Clear Memory Mode <Ref. to EN(H4SO)(diag)-46, OPERATION, Clear Memory Mode.> and Inspection Mode <Ref. to EN(H4SO)(diag)-36, PROCEDURE, Inspection Mode.>.

WIRING DIAGRAM:



Diagnostic Procedure with Diagnostic Trouble Code (DTC)

ENGINE (DIAGNOSTICS)

Step	Check	Yes	No
<p>1</p> <p>CHECK HARNESS BETWEEN ECM AND OIL SWITCHING SOLENOID VALVE.</p> <p>1) Turn the ignition switch to OFF.</p> <p>2) Disconnect the connector from ECM and oil switching solenoid valve.</p> <p>3) Measure the resistance between ECM and oil switching solenoid valve connector.</p> <p>Connector & terminal (B137) No. 25 — (E38) No. 1: (B137) No. 24 — (E38) No. 2:</p>	<p>Is the resistance less than 1 Ω?</p>	<p>Go to step 2.</p>	<p>Repair the open circuit in harness between ECM and oil switching solenoid valve connector.</p> <p>NOTE: In this case, repair the following:</p> <ul style="list-style-type: none"> • Open circuit in harness between ECM and oil switching solenoid valve connector • Poor contact in coupling connectors
<p>2</p> <p>CHECK OIL SWITCHING SOLENOID VALVE.</p> <p>1) Remove the oil switching solenoid valve connector.</p> <p>2) Measure the resistance between oil switching solenoid valve terminals.</p> <p>Terminal No. 1 — No. 2:</p>	<p>Is the resistance 6 — 12 Ω?</p>	<p>Repair the poor contact in ECM and oil switching solenoid valve.</p>	<p>Replace the oil switching solenoid valve. <Ref. to ME(H4SO)-85, Oil Switching Solenoid Valve.></p>

Diagnostic Procedure with Diagnostic Trouble Code (DTC)

ENGINE (DIAGNOSTICS)

J: DTC P0077 INTAKE VALVE CONTROL SOLENOID CIRCUIT HIGH (BANK 1)

DTC DETECTING CONDITION:

- Immediately at fault recognition
- GENERAL DESCRIPTION <Ref. to GD(H4SO)-22, DTC P0077 INTAKE VALVE CONTROL CIRCUIT HIGH (BANK 1), Diagnostic Trouble Code (DTC) Detecting Criteria.>

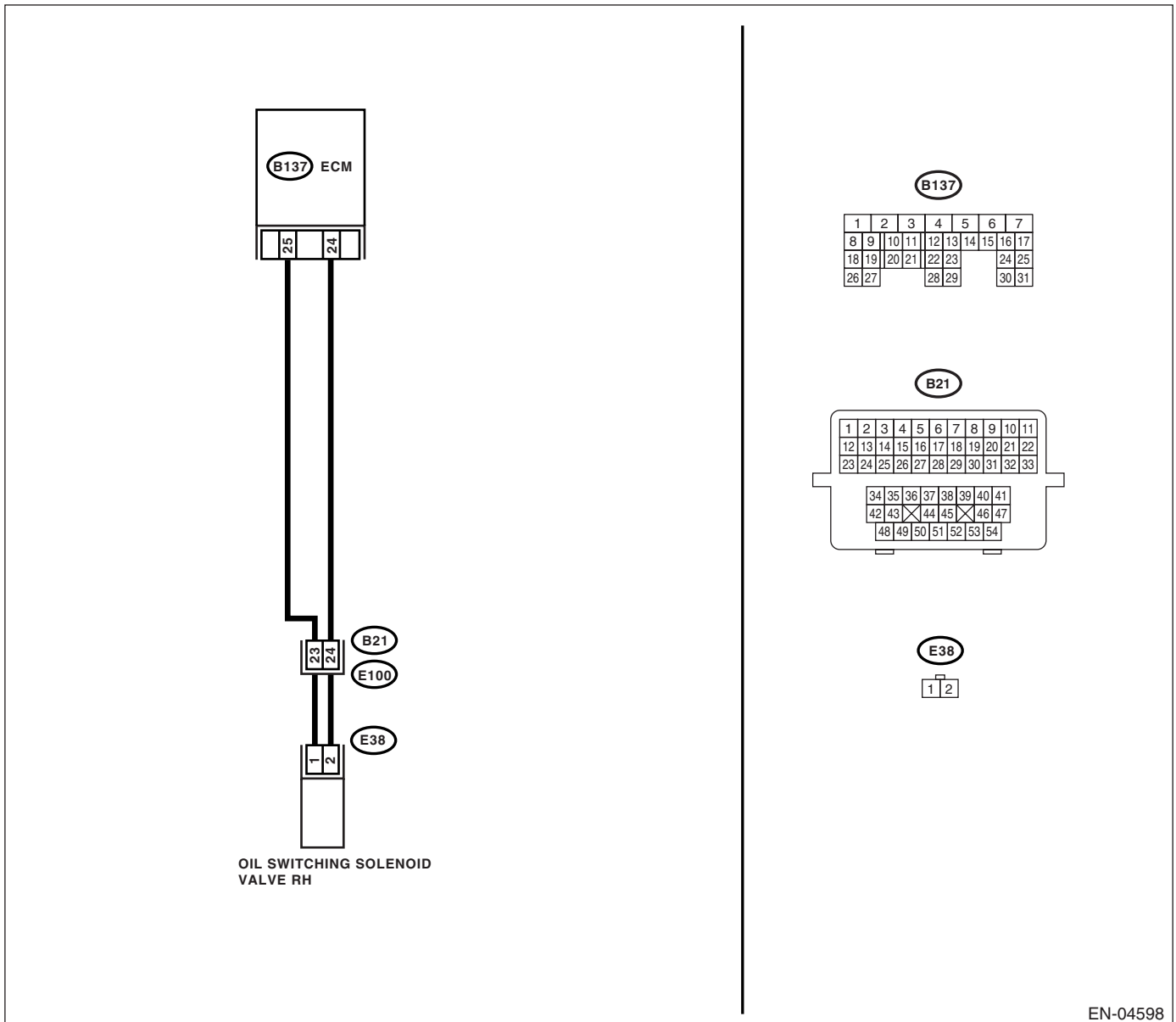
TROUBLE SYMPTOM:

Erroneous idling

CAUTION:

After repair or replacement of faulty parts, conduct Clear Memory Mode <Ref. to EN(H4SO)(diag)-46, OPERATION, Clear Memory Mode.> and Inspection Mode <Ref. to EN(H4SO)(diag)-36, PROCEDURE, Inspection Mode.>.

WIRING DIAGRAM:



EN-04598

Diagnostic Procedure with Diagnostic Trouble Code (DTC)

ENGINE (DIAGNOSTICS)

Step	Check	Yes	No
1 CHECK HARNESS BETWEEN ECM AND OIL SWITCHING SOLENOID VALVE. 1) Turn the ignition switch to OFF. 2) Disconnect the connector from ECM and oil switching solenoid valve. 3) Measure the resistance between oil switching solenoid valve connector and engine ground. <i>Connector & terminal</i> <i>(E38) No. 1 — Engine ground:</i> <i>(E38) No. 2 — Engine ground:</i>	Is the resistance more than 1 M Ω ?	Go to step 2.	Repair the short circuit in harness between ECM and oil switching solenoid valve connector.
2 CHECK OIL SWITCHING SOLENOID VALVE. 1) Remove the oil switching solenoid valve connector. 2) Measure the resistance between oil switching solenoid valve terminals. <i>Terminal</i> <i>No. 1 — No. 2:</i>	Is the resistance 6 — 12 Ω ?	Repair the poor contact in ECM and oil switching solenoid valve.	Replace the oil switching solenoid valve. <Ref. to ME(H4SO)-85, Oil Switching Solenoid Valve.>

Diagnostic Procedure with Diagnostic Trouble Code (DTC)

ENGINE (DIAGNOSTICS)

K: DTC P0082 INTAKE VALVE CONTROL SOLENOID CIRCUIT LOW (BANK 2)

DTC DETECTING CONDITION:

- Immediately at fault recognition
- GENERAL DESCRIPTION <Ref. to GD(H4SO)-23, DTC P0082 INTAKE VALVE CONTROL CIRCUIT LOW (BANK 2), Diagnostic Trouble Code (DTC) Detecting Criteria.>

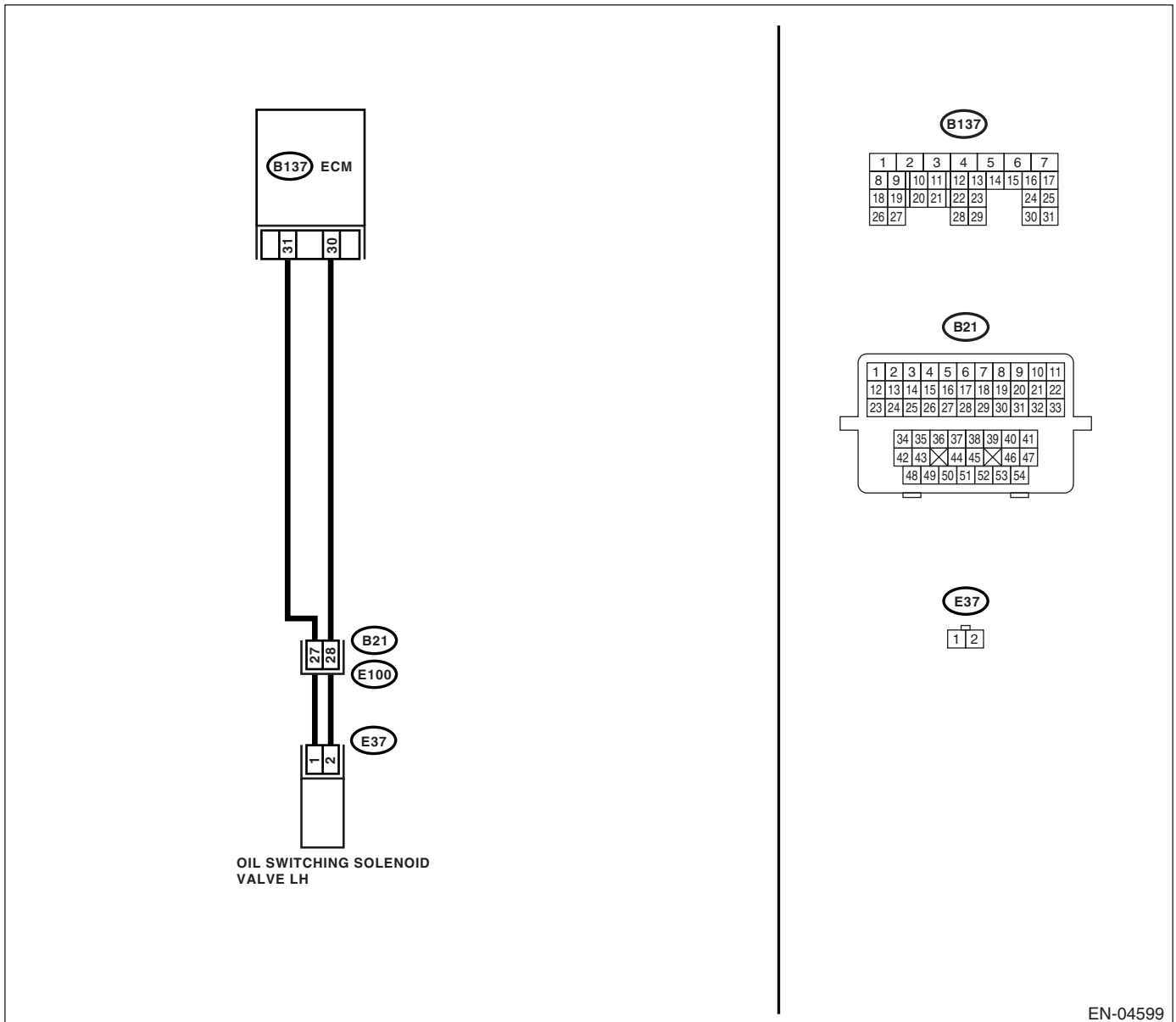
TROUBLE SYMPTOM:

Erroneous idling

CAUTION:

After repair or replacement of faulty parts, conduct Clear Memory Mode <Ref. to EN(H4SO)(diag)-46, OPERATION, Clear Memory Mode.> and Inspection Mode <Ref. to EN(H4SO)(diag)-36, PROCEDURE, Inspection Mode.>.

WIRING DIAGRAM:



EN-04599

Diagnostic Procedure with Diagnostic Trouble Code (DTC)

ENGINE (DIAGNOSTICS)

Step	Check	Yes	No
<p>1</p> <p>CHECK HARNESS BETWEEN ECM AND OIL SWITCHING SOLENOID VALVE.</p> <p>1) Turn the ignition switch to OFF.</p> <p>2) Disconnect the connector from ECM and oil switching solenoid valve.</p> <p>3) Measure the resistance between ECM and oil switching solenoid valve connector.</p> <p>Connector & terminal (B137) No. 31 — (E37) No. 1: (B137) No. 30 — (E37) No. 2:</p>	<p>Is the resistance less than 1 Ω?</p>	<p>Go to step 2.</p>	<p>Repair the open circuit in harness between ECM and oil switching solenoid valve connector.</p> <p>NOTE: In this case, repair the following:</p> <ul style="list-style-type: none"> • Open circuit in harness between ECM and oil switching solenoid valve connector • Poor contact in coupling connectors
<p>2</p> <p>CHECK OIL SWITCHING SOLENOID VALVE.</p> <p>1) Remove the oil switching solenoid valve connector.</p> <p>2) Measure the resistance between oil switching solenoid valve terminals.</p> <p>Terminal No. 1 — No. 2:</p>	<p>Is the resistance 6 — 12 Ω?</p>	<p>Repair the poor contact in ECM and oil switching solenoid valve.</p>	<p>Replace the oil switching solenoid valve. <Ref. to ME(H4SO)-85, Oil Switching Solenoid Valve.></p>

Diagnostic Procedure with Diagnostic Trouble Code (DTC)

ENGINE (DIAGNOSTICS)

L: DTC P0083 INTAKE VALVE CONTROL SOLENOID CIRCUIT HIGH (BANK 2)

DTC DETECTING CONDITION:

- Immediately at fault recognition
- GENERAL DESCRIPTION <Ref. to GD(H4SO)-23, DTC P0083 INTAKE VALVE CONTROL CIRCUIT HIGH (BANK 2), Diagnostic Trouble Code (DTC) Detecting Criteria.>

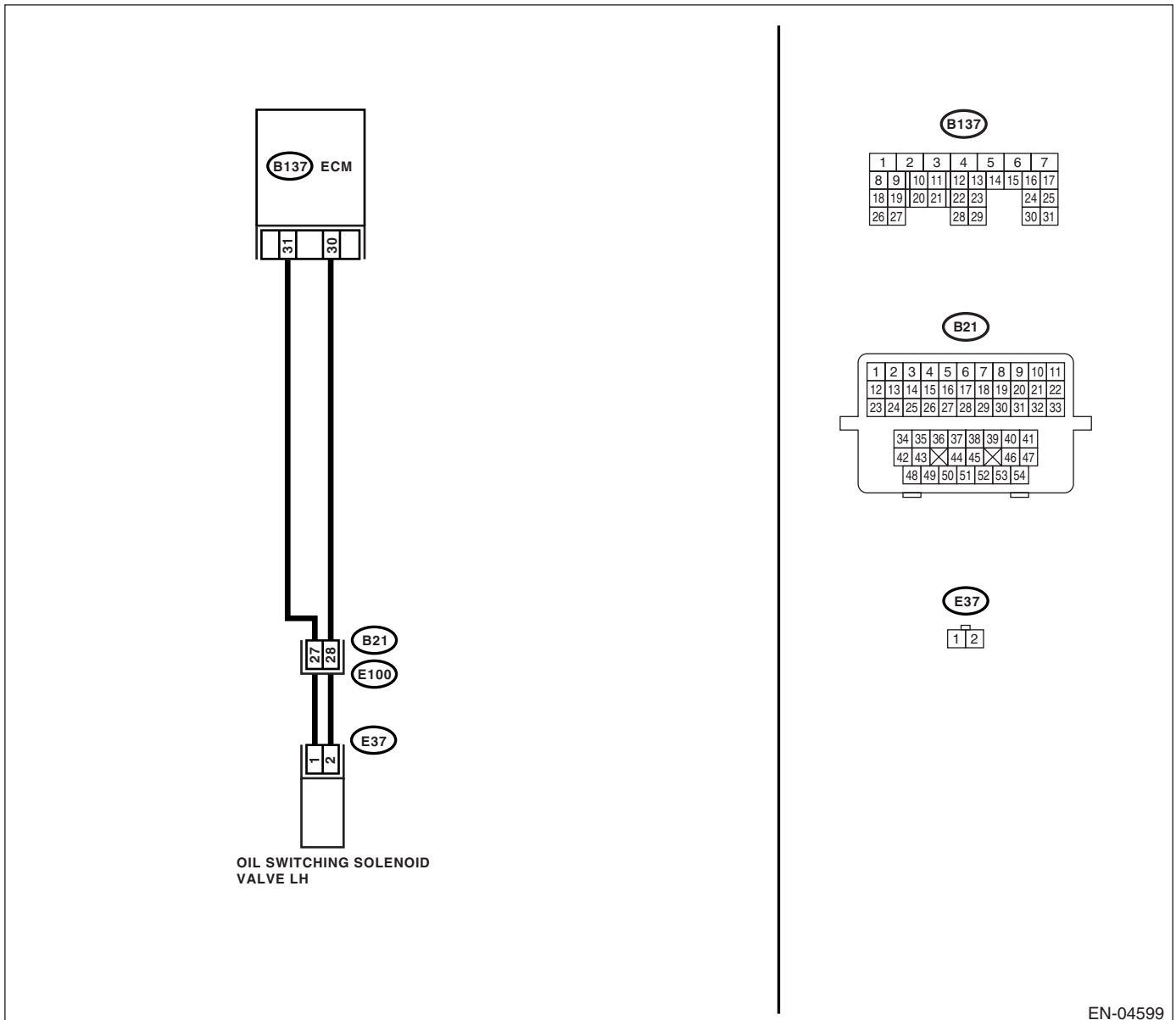
TROUBLE SYMPTOM:

Erroneous idling

CAUTION:

After repair or replacement of faulty parts, conduct Clear Memory Mode <Ref. to EN(H4SO)(diag)-46, OPERATION, Clear Memory Mode.> and Inspection Mode <Ref. to EN(H4SO)(diag)-36, PROCEDURE, Inspection Mode.>.

WIRING DIAGRAM:



EN-04599

Diagnostic Procedure with Diagnostic Trouble Code (DTC)

ENGINE (DIAGNOSTICS)

Step	Check	Yes	No
1 CHECK HARNESS BETWEEN ECM AND OIL SWITCHING SOLENOID VALVE. 1) Turn the ignition switch to OFF. 2) Disconnect the connector from ECM and oil switching solenoid valve. 3) Measure the resistance between oil switching solenoid valve connector and engine ground. <i>Connector & terminal</i> <i>(E37) No. 1 — Engine ground:</i> <i>(E37) No. 2 — Engine ground:</i>	Is the resistance more than 1 M Ω ?	Go to step 2.	Repair the short circuit in harness between ECM and oil switching solenoid valve connector.
2 CHECK OIL SWITCHING SOLENOID VALVE. 1) Remove the oil switching solenoid valve connector. 2) Measure the resistance between oil switching solenoid valve terminals. <i>Terminal</i> <i>No. 1 — No. 2:</i>	Is the resistance 6 — 12 Ω ?	Repair the poor contact in ECM and oil switching solenoid valve.	Replace the oil switching solenoid valve. <Ref. to ME(H4SO)-85, Oil Switching Solenoid Valve.>

Diagnostic Procedure with Diagnostic Trouble Code (DTC)

ENGINE (DIAGNOSTICS)

M: DTC P0101 MASS OR VOLUME AIR FLOW CIRCUIT RANGE/PERFORMANCE

DTC DETECTING CONDITION:

- Two consecutive driving cycles with fault
- GENERAL DESCRIPTION <Ref. to GD(H4SO)-23, DTC P0101 MASS OR VOLUME AIR FLOW CIRCUIT RANGE/PERFORMANCE, Diagnostic Trouble Code (DTC) Detecting Criteria.>

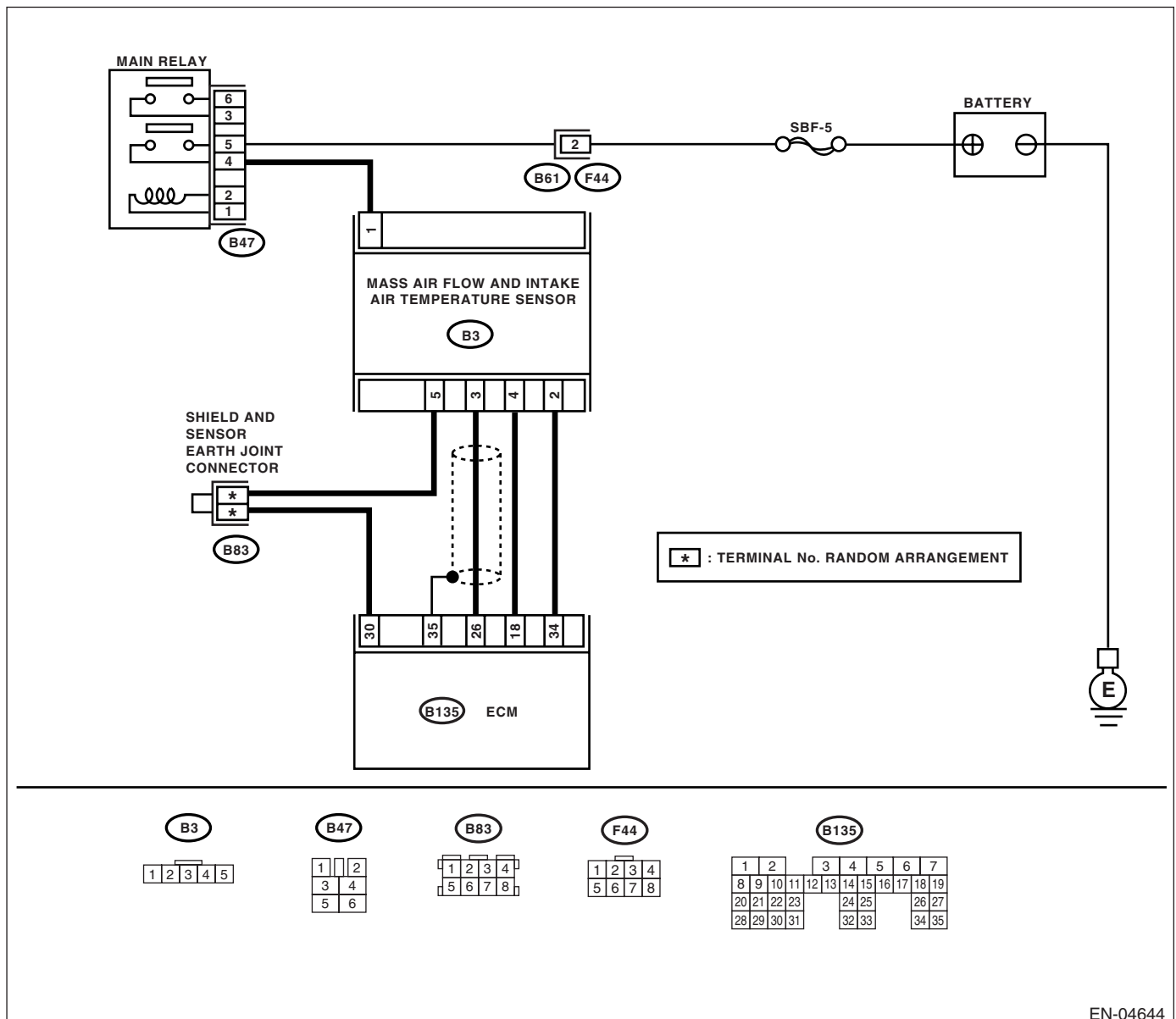
TROUBLE SYMPTOM:

- Erroneous idling
- Engine stalls.
- Poor driving performance

CAUTION:

After repair or replacement of faulty parts, conduct Clear Memory Mode <Ref. to EN(H4SO)(diag)-46, OPERATION, Clear Memory Mode.> and Inspection Mode <Ref. to EN(H4SO)(diag)-36, PROCEDURE, Inspection Mode.>.

WIRING DIAGRAM:



EN-04644

Diagnostic Procedure with Diagnostic Trouble Code (DTC)

ENGINE (DIAGNOSTICS)

Step	Check	Yes	No
1 CHECK ANY OTHER DTC ON DISPLAY.	Is any other DTC displayed?	Inspect the relevant DTC using "List of Diagnostic Trouble Code (DTC)". <Ref. to EN(H4SO)(diag)-73, List of Diagnostic Trouble Code (DTC).> NOTE: In this case, it is not necessary to inspect DTC P0101.	Replace the mass air flow and intake air temperature sensor. <Ref. to FU(H4SO)-28, Mass Air Flow and Intake Air Temperature Sensor.>

Diagnostic Procedure with Diagnostic Trouble Code (DTC)

ENGINE (DIAGNOSTICS)

N: DTC P0102 MASS OR VOLUME AIR FLOW CIRCUIT LOW INPUT

DTC DETECTING CONDITION:

- Immediately at fault recognition
- GENERAL DESCRIPTION <Ref. to GD(H4SO)-25, DTC P0102 MASS OR VOLUME AIR FLOW CIRCUIT LOW INPUT, Diagnostic Trouble Code (DTC) Detecting Criteria.>

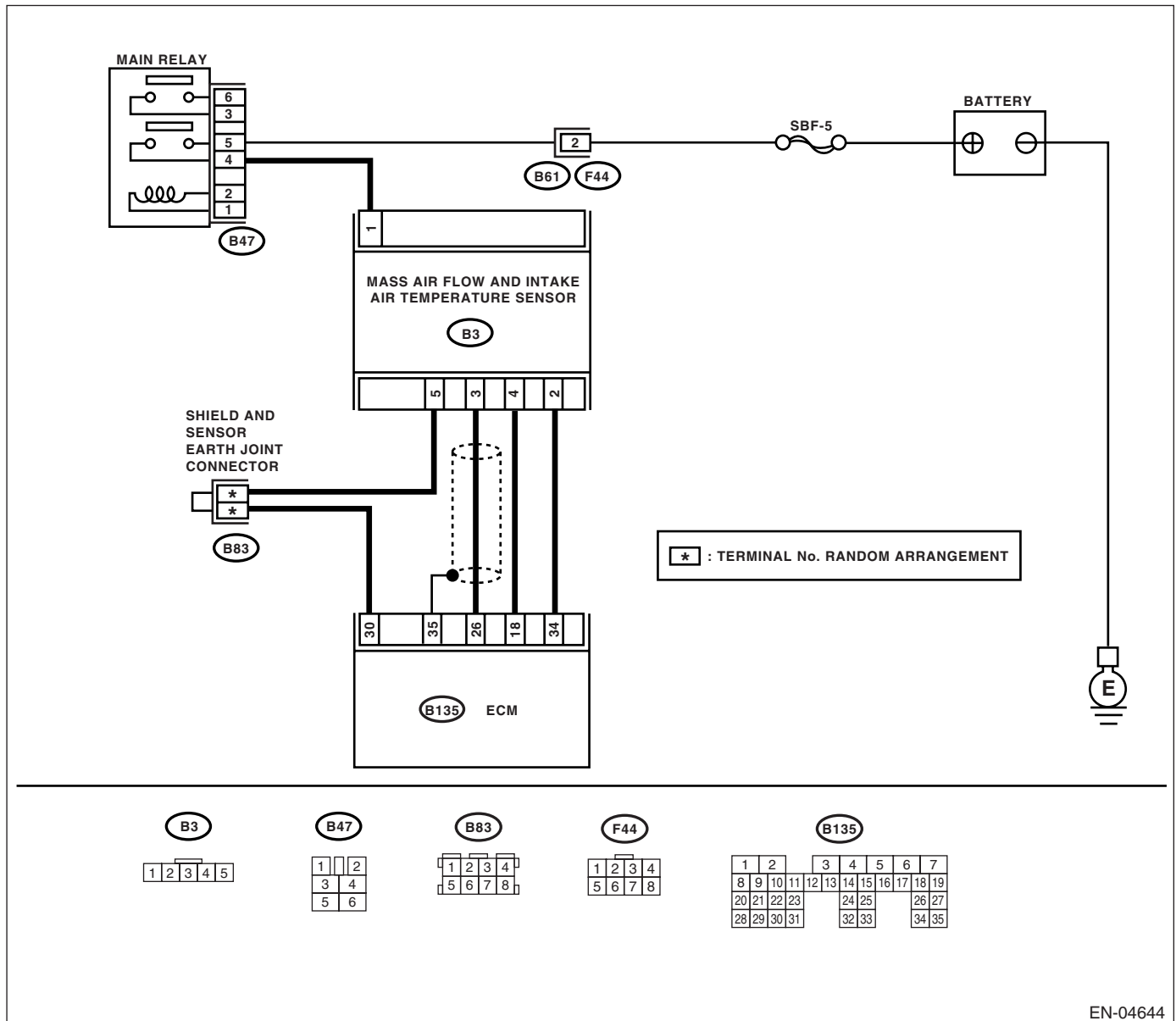
TROUBLE SYMPTOM:

- Erroneous idling
- Engine stalls.
- Poor driving performance

CAUTION:

After repair or replacement of faulty parts, conduct Clear Memory Mode <Ref. to EN(H4SO)(diag)-46, OPERATION, Clear Memory Mode.> and Inspection Mode <Ref. to EN(H4SO)(diag)-36, PROCEDURE, Inspection Mode.>.

WIRING DIAGRAM:



EN-04644

Diagnostic Procedure with Diagnostic Trouble Code (DTC)

ENGINE (DIAGNOSTICS)

Step	Check	Yes	No
<p>1 CONNECT SUBARU SELECT MONITOR OR THE GENERAL SCAN TOOL, AND READ DATA.</p> <p>1) Turn the ignition switch to OFF. 2) Connect the Subaru Select Monitor or general scan tool to data link connector. 3) Turn the ignition switch to ON and Subaru Select Monitor or the general scan tool power switch to ON. 4) Start the engine. 5) Read the mass air flow sensor voltage using Subaru Select Monitor or general scan tool.</p> <p>NOTE:</p> <ul style="list-style-type: none"> • Subaru Select Monitor <p>For detailed operation procedure, refer to the "READ CURRENT DATA FOR ENGINE". <Ref. to EN(H4SO)(diag)-28, Subaru Select Monitor.></p> <ul style="list-style-type: none"> • General scan tool <p>For detailed operation procedures, refer to the General Scan Tool Instruction Manual.</p>	<p>Is the measured value within 0.2 to 4.7 V?</p>	<p>Even if malfunction indicator light lights up, the circuit has returned to a normal condition at this time. A temporary poor contact of the connector or harness may be the cause. Repair the harness or connector in the mass air flow sensor.</p> <p>NOTE: In this case, repair the following:</p> <ul style="list-style-type: none"> • Open or ground short circuit in harness between mass air flow sensor and ECM connector • Poor contact in mass air flow sensor or ECM connector 	<p>Go to step 2.</p>
<p>2 CHECK INPUT SIGNAL FOR ECM.</p> <p>Measure the voltage between ECM connector and chassis ground while engine is idling.</p> <p>Connector & terminal (B135) No. 26 (+) — Chassis ground (-):</p>	<p>Is the measured value less than 0.2 V?</p>	<p>Go to step 4.</p>	<p>Go to step 3.</p>
<p>3 CHECK INPUT SIGNAL FOR ECM (USING SUBARU SELECT MONITOR).</p> <p>Measure the voltage between ECM connector and chassis ground while engine is idling.</p>	<p>Shake the ECM harness and connector, while monitoring value of Subaru Select Monitor. Does the voltage change?</p>	<p>Repair the poor contact in ECM connector.</p>	<p>Contact your SOA Service Center since deterioration of some parts may be the cause.</p>
<p>4 CHECK POWER SUPPLY TO MASS AIR FLOW SENSOR.</p> <p>1) Turn the ignition switch to OFF. 2) Disconnect the connector from mass air flow sensor. 3) Turn the ignition switch to ON. 4) Measure the voltage between mass air flow sensor connector and chassis ground.</p> <p>Connector & terminal (B3) No. 1 (+) — Chassis ground (-):</p>	<p>Is the voltage more than 5 V?</p>	<p>Go to step 5.</p>	<p>Repair the open circuit between mass air flow sensor and main relay.</p>
<p>5 CHECK HARNESS BETWEEN ECM AND MASS AIR FLOW SENSOR CONNECTOR.</p> <p>1) Turn the ignition switch to OFF. 2) Disconnect the connector from ECM. 3) Measure the resistance of harness between ECM and mass air flow sensor connector.</p> <p>Connector & terminal (B135) No. 26 — (B3) No. 3: (B135) No. 30 — (B3) No. 5: (B135) No. 34 — (B3) No. 2:</p>	<p>Is the measured value less than 1 Ω?</p>	<p>Go to step 6.</p>	<p>Repair the open circuit between ECM and mass air flow sensor connector.</p>

Diagnostic Procedure with Diagnostic Trouble Code (DTC)

ENGINE (DIAGNOSTICS)

Step	Check	Yes	No
6 CHECK HARNESS BETWEEN ECM AND MASS AIR FLOW SENSOR CONNECTOR Measure the resistance of harness between ECM and chassis ground. Connector & terminal (B135) No. 26 — Chassis ground: (B135) No. 30 — Chassis ground: (B135) No. 34 — Chassis ground:	Is the measured value more than 1 MΩ?	Go to step 7.	Repair the ground short circuit between ECM and mass air flow sensor connector.
7 CHECK POOR CONTACT Check poor contact in mass air flow sensor connector.	Is there poor contact in mass air flow sensor connector?	Repair the poor contact in mass air flow sensor connector.	Replace the mass air flow and intake air temperature sensor. <Ref. to FU(H4SO)-28, Mass Air Flow and Intake Air Temperature Sensor.>

Diagnostic Procedure with Diagnostic Trouble Code (DTC)

ENGINE (DIAGNOSTICS)

O: DTC P0103 MASS OR VOLUME AIR FLOW CIRCUIT HIGH INPUT

DTC DETECTING CONDITION:

- Immediately at fault recognition
- GENERAL DESCRIPTION <Ref. to GD(H4SO)-26, DTC P0103 MASS OR VOLUME AIR FLOW CIRCUIT HIGH INPUT, Diagnostic Trouble Code (DTC) Detecting Criteria.>

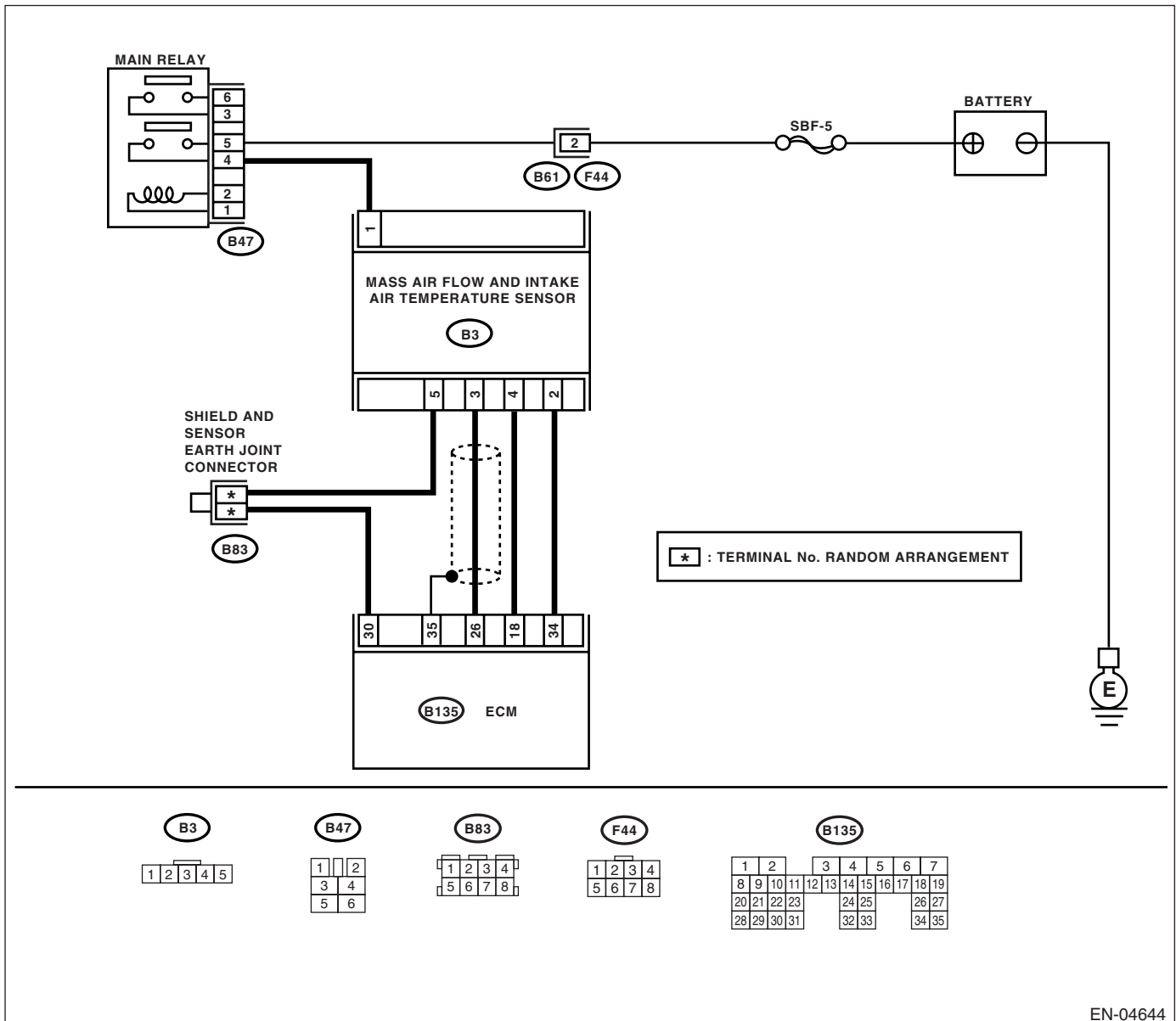
TROUBLE SYMPTOM:

- Erroneous idling
- Engine stalls.
- Poor driving performance

CAUTION:

After repair or replacement of faulty parts, conduct Clear Memory Mode <Ref. to EN(H4SO)(diag)-46, OPERATION, Clear Memory Mode.> and Inspection Mode <Ref. to EN(H4SO)(diag)-36, PROCEDURE, Inspection Mode.>.

WIRING DIAGRAM:



EN-04644

Diagnostic Procedure with Diagnostic Trouble Code (DTC)

ENGINE (DIAGNOSTICS)

Step	Check	Yes	No
<p>1</p> <p>CONNECT SUBARU SELECT MONITOR OR THE GENERAL SCAN TOOL, AND READ DATA.</p> <p>1) Turn the ignition switch to OFF. 2) Connect the Subaru Select Monitor or general scan tool to data link connector. 3) Turn the ignition switch to ON and Subaru Select Monitor or general scan tool power switch to ON. 4) Start the engine. 5) Read the mass air flow sensor voltage using Subaru Select Monitor or general scan tool.</p> <p>NOTE:</p> <ul style="list-style-type: none"> • Subaru Select Monitor <p>For detailed operation procedure, refer to the "READ CURRENT DATA FOR ENGINE". <Ref. to EN(H4SO)(diag)-28, Subaru Select Monitor.></p> <ul style="list-style-type: none"> • General scan tool <p>For detailed operation procedures, refer to the General Scan Tool Instruction Manual.</p>	<p>Is the measured value within 0.2 to 4.7 V?</p>	<p>Even if malfunction indicator light lights up, the circuit has returned to a normal condition at this time.</p>	<p>Go to step 2.</p>
<p>2</p> <p>CHECK HARNESS BETWEEN ECM AND MASS AIR FLOW SENSOR CONNECTOR.</p> <p>1) Turn the ignition switch to OFF. 2) Disconnect the connector from mass air flow sensor. 3) Turn the ignition switch to ON. 4) Measure the voltage between mass air flow sensor connector and chassis ground.</p> <p>Connector & terminal (B3) No. 3 (+) — Chassis ground (-):</p>	<p>Is the measured value more than 5 V?</p>	<p>Repair the battery short of harness between mass air flow sensor connector and ECM connector.</p>	<p>Go to step 3.</p>
<p>3</p> <p>CHECK HARNESS BETWEEN ECM AND MASS AIR FLOW SENSOR CONNECTOR.</p> <p>1) Turn the ignition switch to OFF. 2) Disconnect the connector from ECM. 3) Measure the resistance between ECM connector and mass air flow sensor connector.</p> <p>Connector & terminal (B3) No. 2 — (B135) No. 34:</p>	<p>Is the measured value less than 1 Ω?</p>	<p>Replace the mass air flow sensor. <Ref. to FU(H4SO)-28, Mass Air Flow and Intake Air Temperature Sensor.></p>	<p>Repair the open harness between mass air flow sensor connector and ECM connector.</p>

P: DTC P0107 MANIFOLD ABSOLUTE PRESSURE/BAROMETRIC PRESSURE CIRCUIT LOW INPUT

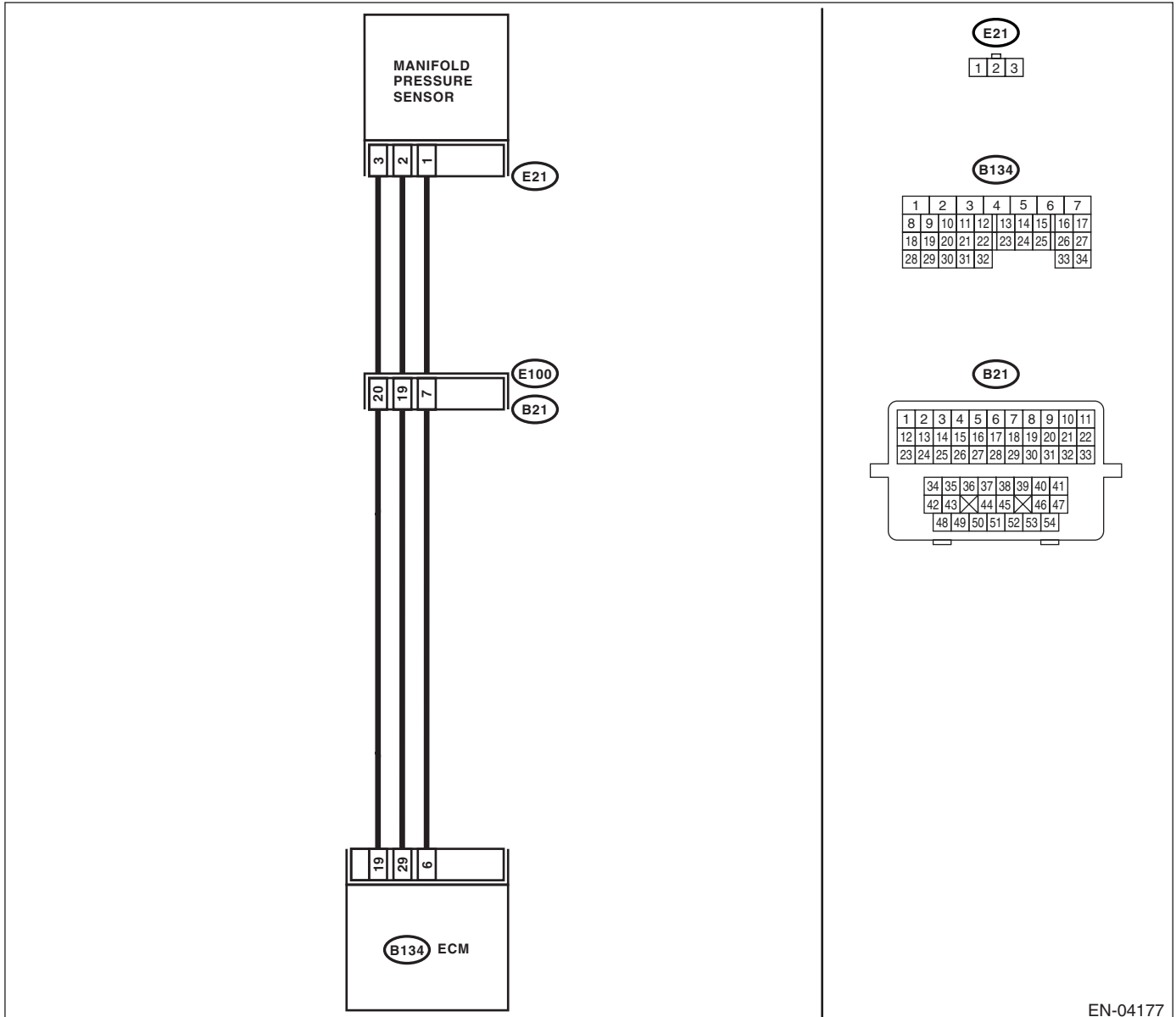
DTC DETECTING CONDITION:

- Immediately at fault recognition
- GENERAL DESCRIPTION <Ref. to GD(H4SO)-28, DTC P0107 MANIFOLD ABSOLUTE PRESSURE/BAROMETRIC PRESSURE CIRCUIT LOW INPUT, Diagnostic Trouble Code (DTC) Detecting Criteria.>

CAUTION:

After repair or replacement of faulty parts, conduct Clear Memory Mode <Ref. to EN(H4SO)(diag)-46, OPERATION, Clear Memory Mode.> and Inspection Mode <Ref. to EN(H4SO)(diag)-36, PROCEDURE, Inspection Mode.>.

WIRING DIAGRAM:



EN-04177

Diagnostic Procedure with Diagnostic Trouble Code (DTC)

ENGINE (DIAGNOSTICS)

Step	Check	Yes	No
1 CHECK CURRENT DATA. 1) Start the engine. 2) Read the data of intake manifold absolute pressure signal using Subaru Select Monitor or general scan tool. NOTE: • Subaru Select Monitor For detailed operation procedure, refer to the "READ CURRENT DATA FOR ENGINE". <Ref. to EN(H4SO)(diag)-28, Subaru Select Monitor.> • General scan tool For detailed operation procedures, refer to the General Scan Tool Instruction Manual.	Is the measured value less than 13.3 kPa (100 mmHg, 3.94 inHg)?	Go to step 3.	Go to step 2.
2 CHECK POOR CONTACT. Check poor contact in ECM and manifold absolute pressure sensor connector.	Is there poor contact in ECM or manifold absolute pressure sensor connector?	Repair poor contact in ECM or manifold absolute pressure sensor connector.	Even if malfunction indicator light lights up, the circuit has returned to a normal condition at this time.
3 CHECK OUTPUT SIGNAL FOR ECM. Measure the voltage between ECM connector and chassis ground. <i>Connector & terminal</i> <i>(B134) No. 6 (+) — Chassis ground (-):</i>	Is the voltage more than 4.5 V?	Go to step 5.	Go to step 4.
4 CHECK OUTPUT SIGNAL FOR ECM. Measure the voltage between ECM connector and chassis ground. <i>Connector & terminal</i> <i>(B134) No. 6 (+) — Chassis ground (-):</i>	Does the voltage change by shaking the ECM harness and connector?	Repair poor contact in ECM connector.	Contact your SOA Service Center since deterioration of some parts may be the cause.
5 CHECK INPUT SIGNAL FOR ECM. Measure the voltage between ECM and chassis ground. <i>Connector & terminal</i> <i>(B134) No. 29 (+) — Chassis ground (-):</i>	Is the voltage less than 0.2 V?	Go to step 7.	Go to step 6.
6 CHECK INPUT SIGNAL FOR ECM. (USING SUBARU SELECT MONITOR) Read the data of atmospheric absolute pressure signal using Subaru Select Monitor. NOTE: • Subaru Select Monitor For detailed operation procedure, refer to the "READ CURRENT DATA FOR ENGINE". <Ref. to EN(H4SO)(diag)-28, Subaru Select Monitor.>	Is the measured value more than 13.3 kPa (100 mmHg, 3.94 inHg) by shaking the harness and connector of ECM?	Repair poor contact in ECM connector.	Go to step 7.
7 CHECK HARNESS BETWEEN MANIFOLD ABSOLUTE PRESSURE SENSOR AND ECM CONNECTOR. 1) Turn the ignition switch to OFF. 2) Disconnect the connector from manifold absolute pressure sensor. 3) Turn the ignition switch to ON. 4) Measure the voltage between manifold absolute pressure sensor connector and engine ground. <i>Connector & terminal</i> <i>(E21) No. 3 (+) — Engine ground (-):</i>	Is the voltage more than 4.5 V?	Go to step 8.	Repair open circuit in harness between ECM and manifold absolute pressure sensor connector.

Diagnostic Procedure with Diagnostic Trouble Code (DTC)

ENGINE (DIAGNOSTICS)

Step	Check	Yes	No
8 CHECK HARNESS BETWEEN MANIFOLD ABSOLUTE PRESSURE SENSOR AND ECM CONNECTOR. 1) Turn the ignition switch to OFF. 2) Disconnect the connector from ECM. 3) Measure the resistance of harness between ECM and manifold absolute pressure sensor connector. <i>Connector & terminal (B134) No. 19 — (E21) No. 3:</i>	Is the resistance less than 1 Ω ?	Go to step 9 .	Repair open circuit in harness between ECM and manifold absolute pressure sensor connector.
9 CHECK POOR CONTACT. Check poor contact in manifold absolute pressure sensor connector.	Is there poor contact in manifold absolute pressure sensor connector?	Repair poor contact in manifold absolute pressure sensor connector.	Replace the manifold absolute pressure sensor. <Ref. to FU(H4SO)-27, Manifold Absolute Pressure Sensor.>

Diagnostic Procedure with Diagnostic Trouble Code (DTC)

ENGINE (DIAGNOSTICS)

Q: DTC P0108 MANIFOLD ABSOLUTE PRESSURE/BAROMETRIC PRESSURE CIRCUIT HIGH INPUT

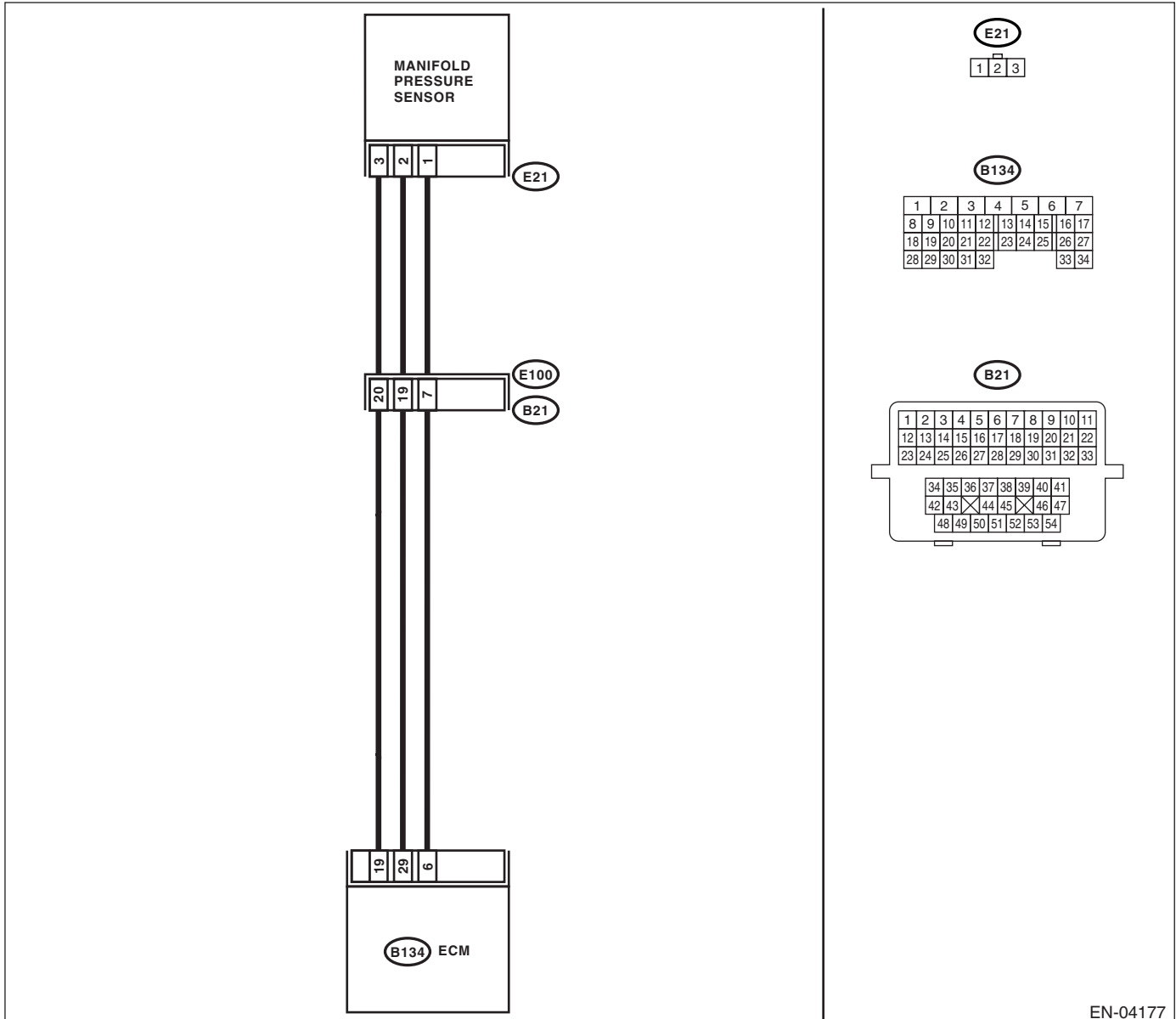
DTC DETECTING CONDITION:

- Immediately at fault recognition
- GENERAL DESCRIPTION <Ref. to GD(H4SO)-29, DTC P0108 MANIFOLD ABSOLUTE PRESSURE/BAROMETRIC PRESSURE CIRCUIT HIGH INPUT, Diagnostic Trouble Code (DTC) Detecting Criteria.>

CAUTION:

After repair or replacement of faulty parts, conduct Clear Memory Mode <Ref. to EN(H4SO)(diag)-46, OPERATION, Clear Memory Mode.> and Inspection Mode <Ref. to EN(H4SO)(diag)-36, PROCEDURE, Inspection Mode.>.

WIRING DIAGRAM:



EN-04177

Diagnostic Procedure with Diagnostic Trouble Code (DTC)

ENGINE (DIAGNOSTICS)

Step	Check	Yes	No
1 CHECK CURRENT DATA. 1) Start the engine. 2) Read the data of intake manifold absolute pressure signal using Subaru Select Monitor or general scan tool. NOTE: • Subaru Select Monitor For detailed operation procedure, refer to the "READ CURRENT DATA FOR ENGINE". <Ref. to EN(H4SO)(diag)-28, Subaru Select Monitor.> • General scan tool For detailed operation procedures, refer to the General Scan Tool Instruction Manual.	Is the measured value more than 119.5 kPa (896.5 mmHg, 35.29 inHg)?	Go to step 10.	Go to step 2.
2 CHECK OUTPUT SIGNAL FOR ECM. Measure the voltage between ECM connector and chassis ground. Connector & terminal (B134) No. 6 (+) — Chassis ground (-):	Is the voltage more than 4.5 V?	Go to step 4.	Go to step 3.
3 CHECK OUTPUT SIGNAL FOR ECM. Measure the voltage between ECM connector and chassis ground. Connector & terminal (B134) No. 6 (+) — Chassis ground (-):	Does the voltage change by shaking the ECM harness and connector?	Repair poor contact in ECM connector.	Contact your SOA Service Center since deterioration of some parts may be the cause.
4 CHECK INPUT SIGNAL FOR ECM. Measure the voltage between ECM connector and chassis ground. Connector & terminal (B134) No. 29 (+) — Chassis ground (-):	Is the voltage less than 0.2 V?	Go to step 6.	Go to step 5.
5 CHECK INPUT SIGNAL FOR ECM. (USING SUBARU SELECT MONITOR) Read the data of atmospheric absolute pressure signal using Subaru Select Monitor. NOTE: • Subaru Select Monitor For detailed operation procedure, refer to the "READ CURRENT DATA FOR ENGINE". <Ref. to EN(H4SO)(diag)-28, Subaru Select Monitor.>	Is the measured value more than 13.3 kPa (100 mmHg, 3.94 inHg) by shaking the harness and connector of ECM?	Repair poor contact in ECM connector.	Go to step 6.
6 CHECK HARNESS BETWEEN MANIFOLD ABSOLUTE PRESSURE SENSOR AND ECM CONNECTOR. 1) Turn the ignition switch to OFF. 2) Disconnect the connector from manifold absolute pressure sensor. 3) Turn the ignition switch to ON. 4) Measure the voltage between manifold absolute pressure sensor connector and engine ground. Connector & terminal (E21) No. 3 (+) — Engine ground (-):	Is the voltage more than 4.5 V?	Go to step 7.	Repair open circuit in harness between ECM and manifold absolute pressure sensor connector.

Diagnostic Procedure with Diagnostic Trouble Code (DTC)

ENGINE (DIAGNOSTICS)

Step	Check	Yes	No
7 CHECK HARNESS BETWEEN MANIFOLD ABSOLUTE PRESSURE SENSOR AND ECM CONNECTOR. 1) Turn the ignition switch to OFF. 2) Disconnect the connector from ECM. 3) Measure the resistance of harness between ECM and manifold absolute pressure sensor connector. <i>Connector & terminal (B134) No. 29 — (E21) No. 2:</i>	Is the resistance less than 1 Ω ?	Go to step 8.	Repair open circuit in harness between ECM and manifold absolute pressure sensor connector.
8 CHECK HARNESS BETWEEN MANIFOLD ABSOLUTE PRESSURE SENSOR AND ECM CONNECTOR. Measure the resistance of harness between ECM and manifold absolute pressure sensor connector. <i>Connector & terminal (B134) No. 19 — (E21) No. 3:</i>	Is the resistance less than 1 Ω ?	Go to step 9.	Repair open circuit in harness between ECM and manifold absolute pressure sensor connector.
9 CHECK POOR CONTACT. Check poor contact in manifold absolute pressure sensor connector.	Is there poor contact in manifold absolute pressure sensor connector?	Repair poor contact in manifold absolute pressure sensor connector.	Replace the manifold absolute pressure sensor. <Ref. to FU(H4SO)-27, Manifold Absolute Pressure Sensor.>
10 CHECK HARNESS BETWEEN MANIFOLD ABSOLUTE PRESSURE SENSOR AND ECM CONNECTOR. 1) Turn the ignition switch to OFF and Subaru Select Monitor or the general scan tool power switch to OFF. 2) Disconnect the connector from manifold absolute pressure sensor. 3) Turn the ignition switch to ON and Subaru Select Monitor or the general scan tool power switch to ON. 4) Read the data of intake manifold absolute pressure signal using Subaru Select Monitor or general scan tool. NOTE: • Subaru Select Monitor For detailed operation procedure, refer to the "READ CURRENT DATA FOR ENGINE". <Ref. to EN(H4SO)(diag)-28, Subaru Select Monitor.> • General scan tool For detailed operation procedures, refer to the General Scan Tool Instruction Manual.	Is the measured value more than 119.5 kPa (896.5 mmHg, 35.29 inHg)?	Repair battery short circuit in harness between ECM and manifold absolute pressure sensor connector.	Replace the manifold absolute pressure sensor. <Ref. to FU(H4SO)-27, Manifold Absolute Pressure Sensor.>

Diagnostic Procedure with Diagnostic Trouble Code (DTC)

ENGINE (DIAGNOSTICS)

R: DTC P0111 INTAKE AIR TEMPERATURE CIRCUIT RANGE/PERFORMANCE

DTC DETECTING CONDITION:

- Two consecutive driving cycles with fault
- GENERAL DESCRIPTION <Ref. to GD(H4SO)-30, DTC P0111 INTAKE AIR TEMPERATURE CIRCUIT RANGE/PERFORMANCE, Diagnostic Trouble Code (DTC) Detecting Criteria.>

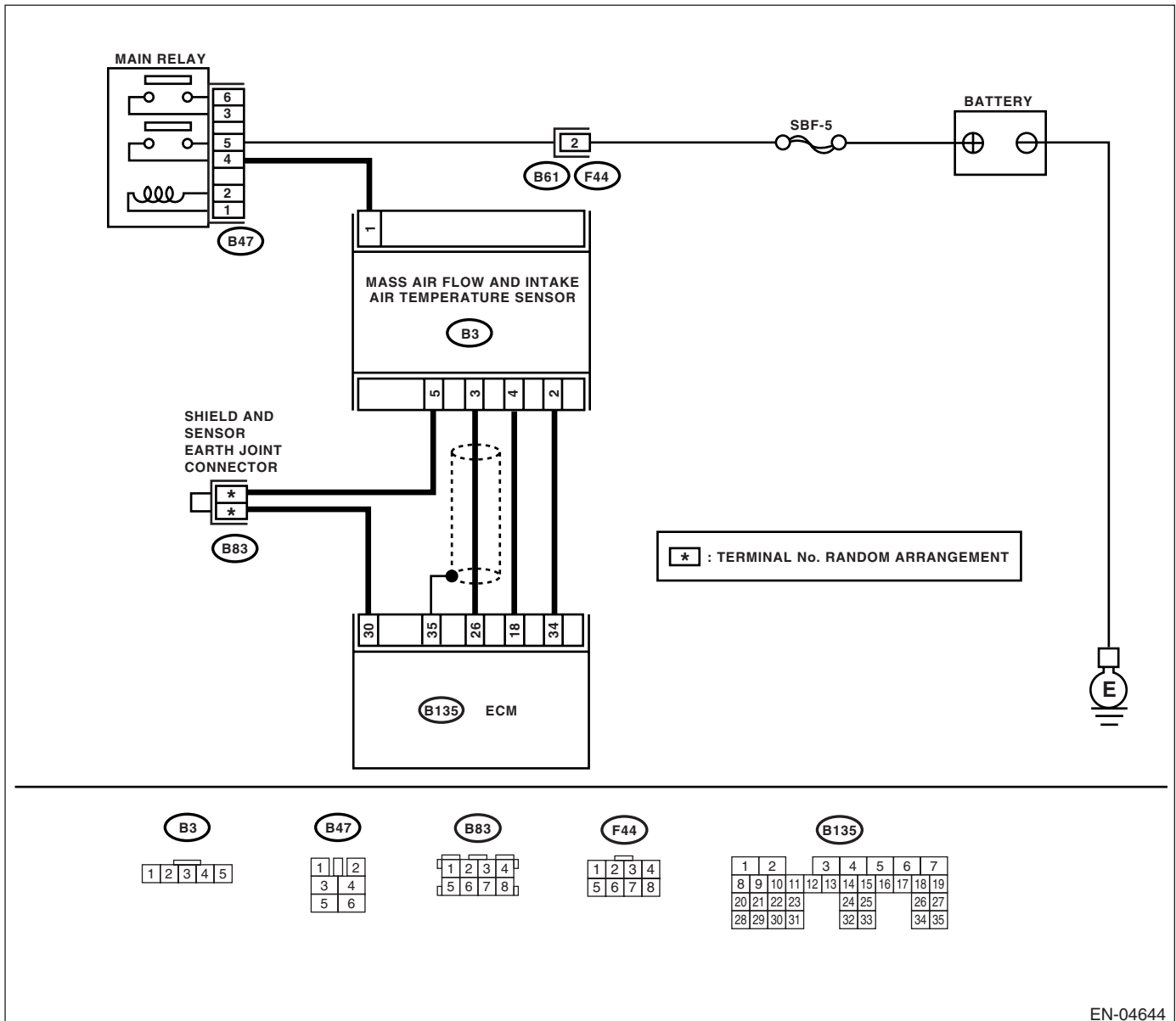
TROUBLE SYMPTOM:

- Erroneous idling
- Poor driving performance

CAUTION:

After repair or replacement of faulty parts, conduct Clear Memory Mode <Ref. to EN(H4SO)(diag)-46, OPERATION, Clear Memory Mode.> and Inspection Mode <Ref. to EN(H4SO)(diag)-36, PROCEDURE, Inspection Mode.>.

WIRING DIAGRAM:



EN-04644

Diagnostic Procedure with Diagnostic Trouble Code (DTC)

ENGINE (DIAGNOSTICS)

Step	Check	Yes	No
1 CHECK ANY OTHER DTC ON DISPLAY.	Is any other DTC displayed?	Inspect DTC using "List of Diagnostic Trouble Code (DTC)". <Ref. to EN(H4SO)(diag)-73, List of Diagnostic Trouble Code (DTC).> NOTE: In this case, it is not necessary to inspect DTC P0111.	Replace the intake air temperature sensor. <Ref. to FU(H4SO)-28, Mass Air Flow and Intake Air Temperature Sensor.>

Diagnostic Procedure with Diagnostic Trouble Code (DTC)

ENGINE (DIAGNOSTICS)

S: DTC P0112 INTAKE AIR TEMPERATURE CIRCUIT LOW INPUT

DTC DETECTING CONDITION:

- Immediately at fault recognition
- GENERAL DESCRIPTION <Ref. to GD(H4SO)-32, DTC P0112 INTAKE AIR TEMPERATURE CIRCUIT LOW INPUT, Diagnostic Trouble Code (DTC) Detecting Criteria.>

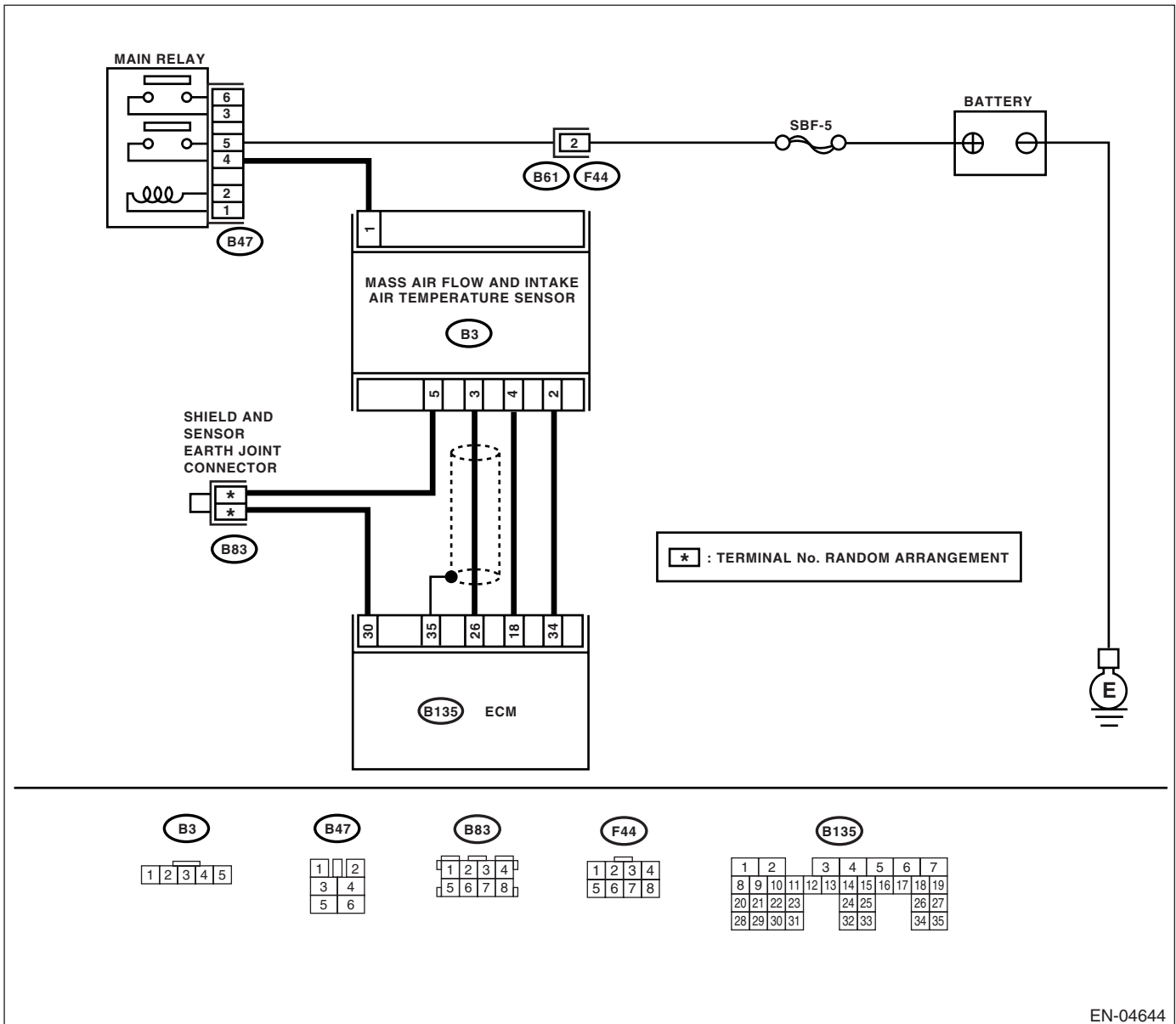
TROUBLE SYMPTOM:

- Erroneous idling
- Poor driving performance

CAUTION:

After repair or replacement of faulty parts, conduct Clear Memory Mode <Ref. to EN(H4SO)(diag)-46, OPERATION, Clear Memory Mode.> and Inspection Mode <Ref. to EN(H4SO)(diag)-36, PROCEDURE, Inspection Mode.>.

WIRING DIAGRAM:



EN-04644

Diagnostic Procedure with Diagnostic Trouble Code (DTC)

ENGINE (DIAGNOSTICS)

Step	Check	Yes	No
<p>1</p> <p>CHECK CURRENT DATA.</p> <p>1) Start the engine.</p> <p>2) Read the data of intake air temperature sensor signal using Subaru Select Monitor or the general scan tool.</p> <p>NOTE:</p> <ul style="list-style-type: none"> • Subaru Select Monitor <p>For detailed operation procedure, refer to the "READ CURRENT DATA FOR ENGINE". <Ref. to EN(H4SO)(diag)-28, Subaru Select Monitor.></p> <ul style="list-style-type: none"> • General scan tool <p>For detailed operation procedure, refer to the General Scan Tool Instruction Manual.</p>	<p>Is the measured value more than 120°C (248°F)?</p>	<p>Go to step 2.</p>	<p>Repair poor contact.</p> <p>NOTE:</p> <p>In this case, repair the following:</p> <ul style="list-style-type: none"> • Poor contact in intake air temperature sensor • Poor contact in ECM • Poor contact in coupling connector • Poor contact in joint connector
<p>2</p> <p>CHECK HARNESS BETWEEN INTAKE AIR TEMPERATURE SENSOR AND ECM CONNECTOR.</p> <p>1) Turn the ignition switch to OFF.</p> <p>2) Disconnect the connector from intake air temperature sensor.</p> <p>3) Turn the ignition switch to ON.</p> <p>4) Read the data of intake air temperature sensor signal using Subaru Select Monitor or the general scan tool.</p> <p>NOTE:</p> <ul style="list-style-type: none"> • Subaru Select Monitor <p>For detailed operation procedure, refer to the "READ CURRENT DATA FOR ENGINE". <Ref. to EN(H4SO)(diag)-28, Subaru Select Monitor.></p> <ul style="list-style-type: none"> • General scan tool <p>For detailed operation procedure, refer to the General Scan Tool Instruction Manual.</p>	<p>Is the measured value less than -40°C (-40°F)?</p>	<p>Replace the intake air temperature sensor. <Ref. to FU(H4SO)-28, Mass Air Flow and Intake Air Temperature Sensor.></p>	<p>Repair ground short circuit in harness between intake air temperature sensor and ECM connector.</p>

Diagnostic Procedure with Diagnostic Trouble Code (DTC)

ENGINE (DIAGNOSTICS)

T: DTC P0113 INTAKE AIR TEMPERATURE CIRCUIT HIGH INPUT

DTC DETECTING CONDITION:

- Immediately at fault recognition
- GENERAL DESCRIPTION <Ref. to GD(H4SO)-33, DTC P0113 INTAKE AIR TEMPERATURE CIRCUIT HIGH INPUT, Diagnostic Trouble Code (DTC) Detecting Criteria.>

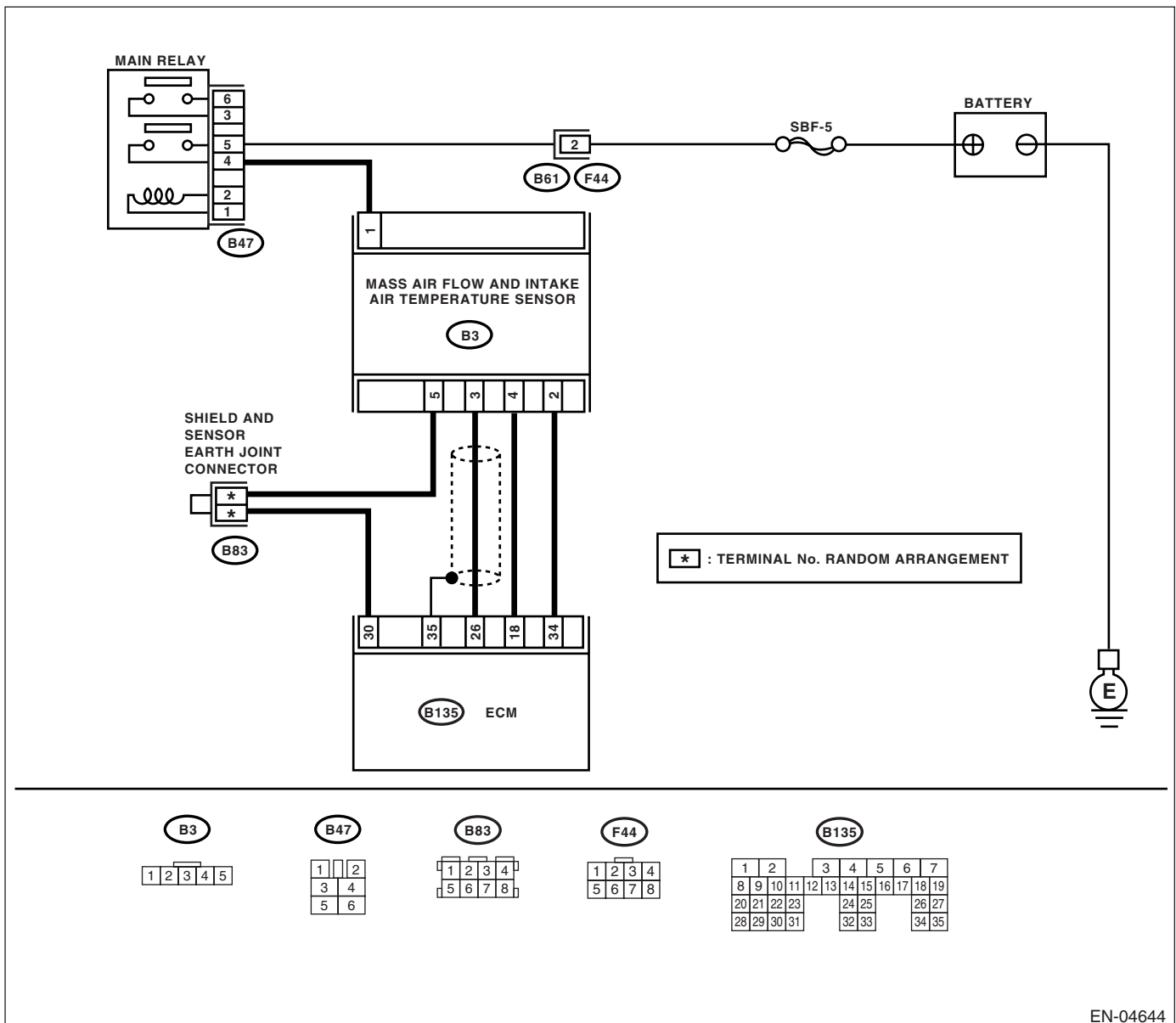
TROUBLE SYMPTOM:

- Erroneous idling
- Poor driving performance

CAUTION:

After repair or replacement of faulty parts, conduct Clear Memory Mode <Ref. to EN(H4SO)(diag)-46, OPERATION, Clear Memory Mode.> and Inspection Mode <Ref. to EN(H4SO)(diag)-36, PROCEDURE, Inspection Mode.>.

WIRING DIAGRAM:



EN-04644

Diagnostic Procedure with Diagnostic Trouble Code (DTC)

ENGINE (DIAGNOSTICS)

Step	Check	Yes	No
<p>1 CHECK CURRENT DATA.</p> <p>1) Start the engine.</p> <p>2) Read the data of intake air temperature sensor signal using Subaru Select Monitor or the general scan tool.</p> <p>NOTE:</p> <ul style="list-style-type: none"> • Subaru Select Monitor <p>For detailed operation procedure, refer to the "READ CURRENT DATA FOR ENGINE". <Ref. to EN(H4SO)(diag)-28, Subaru Select Monitor.></p> <ul style="list-style-type: none"> • General scan tool <p>For detailed operation procedure, refer to the General Scan Tool Instruction Manual.</p>	<p>Is the measured value less than -40°C (-40°F)?</p>	<p>Go to step 2.</p>	<p>Repair poor contact.</p> <p>NOTE:</p> <p>In this case, repair the following:</p> <ul style="list-style-type: none"> • Poor contact in intake air temperature sensor • Poor contact in ECM • Poor contact in coupling connector • Poor contact in joint connector
<p>2 CHECK HARNESS BETWEEN INTAKE AIR TEMPERATURE SENSOR AND ECM CONNECTOR.</p> <p>1) Turn the ignition switch to OFF.</p> <p>2) Disconnect the connector from intake air temperature sensor.</p> <p>3) Measure the voltage between intake air temperature and manifold absolute pressure sensor connector and engine ground.</p> <p>Connector & terminal (B3) No. 4 (+) — Engine ground (-):</p>	<p>Is the measured value more than 10 V?</p>	<p>Repair battery short circuit in harness between intake air temperature sensor and ECM connector.</p>	<p>Go to step 3.</p>
<p>3 CHECK HARNESS BETWEEN INTAKE AIR TEMPERATURE SENSOR AND ECM CONNECTOR.</p> <p>1) Turn the ignition switch to ON.</p> <p>2) Measure the voltage between intake air temperature sensor connector and engine ground.</p> <p>Connector & terminal (B3) No. 4 (+) — Engine ground (-):</p>	<p>Is the measured value more than 10 V?</p>	<p>Repair battery short circuit in harness between intake air temperature sensor and ECM connector.</p>	<p>Go to step 4.</p>
<p>4 CHECK HARNESS BETWEEN INTAKE AIR TEMPERATURE SENSOR AND ECM CONNECTOR.</p> <p>Measure the voltage between intake air temperature sensor connector and engine ground.</p> <p>Connector & terminal (B3) No. 4 (+) — Engine ground (-):</p>	<p>Is the measured value more than 3 V?</p>	<p>Go to step 5.</p>	<p>Repair harness and connector.</p> <p>NOTE:</p> <p>In this case, repair the following:</p> <ul style="list-style-type: none"> • Open circuit in harness between intake air temperature sensor and ECM connector • Poor contact in intake air temperature sensor • Poor contact in ECM • Poor contact in coupling connector • Poor contact in joint connector

Diagnostic Procedure with Diagnostic Trouble Code (DTC)

ENGINE (DIAGNOSTICS)

Step	Check	Yes	No
<p>5</p> <p>CHECK HARNESS BETWEEN INTAKE AIR TEMPERATURE SENSOR AND ECM CONNECTOR.</p> <p>1) Turn the ignition switch to OFF.</p> <p>2) Measure the resistance of harness between intake air temperature sensor connector and engine ground.</p> <p>Connector & terminal (B3) No. 5 — Engine ground:</p>	<p>Is the measured value less than 5 Ω?</p>	<p>Replace the intake air temperature sensor. <Ref. to FU(H4SO)-28, Mass Air Flow and Intake Air Temperature Sensor.></p>	<p>Repair harness and connector.</p> <p>NOTE: In this case, repair the following:</p> <ul style="list-style-type: none"> • Open circuit in harness between intake air temperature sensor and ECM connector • Poor contact in intake air temperature sensor • Poor contact in ECM • Poor contact in coupling connector • Poor contact in joint connector

Diagnostic Procedure with Diagnostic Trouble Code (DTC)

ENGINE (DIAGNOSTICS)

U: DTC P0117 ENGINE COOLANT TEMPERATURE CIRCUIT LOW INPUT

DTC DETECTING CONDITION:

- Immediately at fault recognition
- GENERAL DESCRIPTION <Ref. to GD(H4SO)-35, DTC P0117 ENGINE COOLANT TEMPERATURE CIRCUIT LOW INPUT, Diagnostic Trouble Code (DTC) Detecting Criteria.>

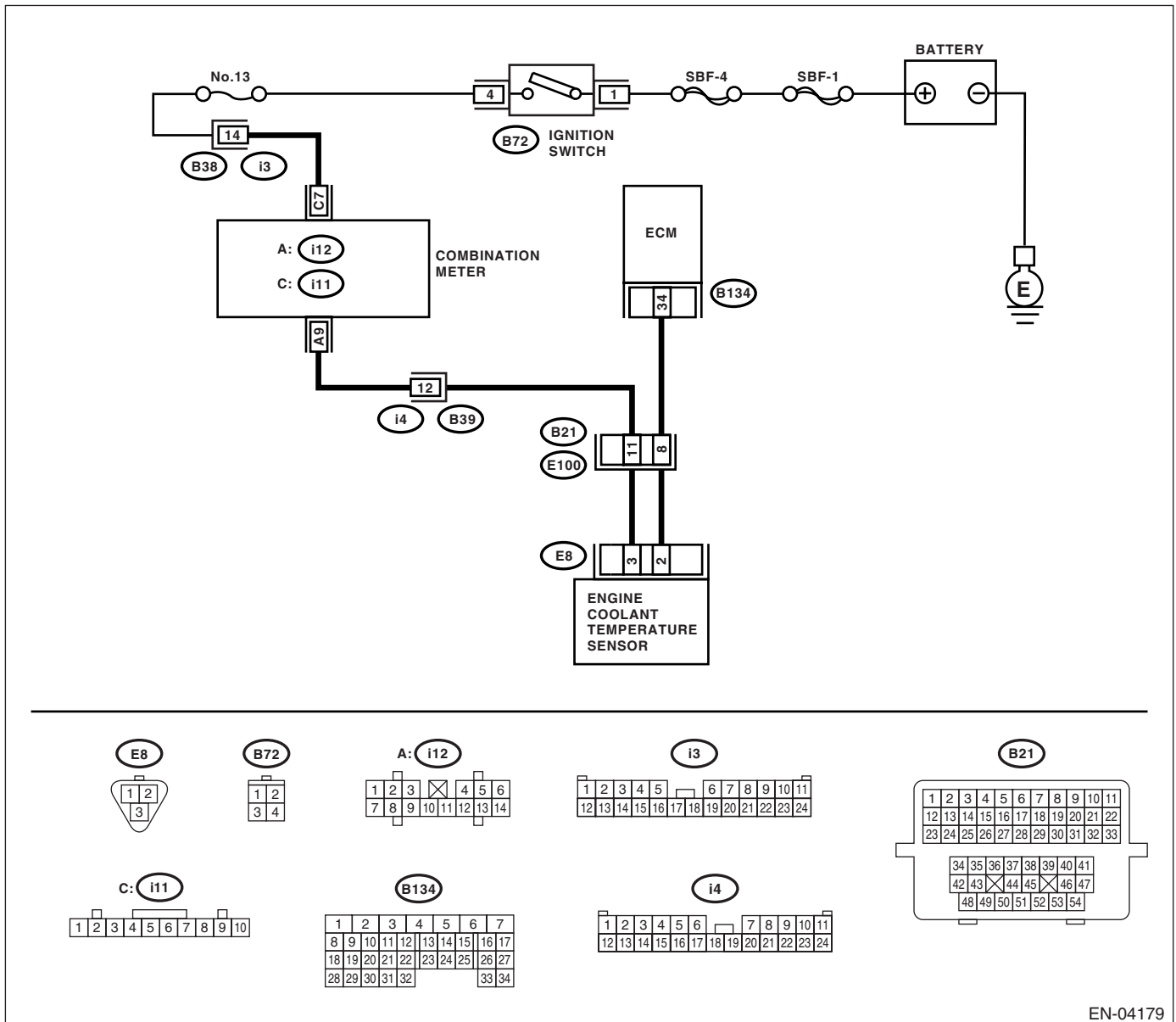
TROUBLE SYMPTOM:

- Hard to start
- Erroneous idling
- Poor driving performance

CAUTION:

After repair or replacement of faulty parts, conduct Clear Memory Mode <Ref. to EN(H4SO)(diag)-46, OPERATION, Clear Memory Mode.> and Inspection Mode <Ref. to EN(H4SO)(diag)-36, PROCEDURE, Inspection Mode.>.

WIRING DIAGRAM:



EN-04179

Diagnostic Procedure with Diagnostic Trouble Code (DTC)

ENGINE (DIAGNOSTICS)

Step	Check	Yes	No
<p>1</p> <p>CHECK CURRENT DATA.</p> <p>1) Start the engine.</p> <p>2) Read the data of engine coolant temperature sensor signal using Subaru Select Monitor or general scan tool.</p> <p>NOTE:</p> <ul style="list-style-type: none"> • Subaru Select Monitor <p>For detailed operation procedure, refer to the "READ CURRENT DATA FOR ENGINE". <Ref. to EN(H4SO)(diag)-28, Subaru Select Monitor.></p> <ul style="list-style-type: none"> • General scan tool <p>For detailed operation procedures, refer to the General Scan Tool Instruction Manual.</p>	<p>Is the engine coolant temperature more than 150°C (302°F)?</p>	<p>Go to step 2.</p>	<p>Repair poor contact.</p> <p>NOTE:</p> <p>In this case, repair the following:</p> <ul style="list-style-type: none"> • Poor contact in engine coolant temperature sensor • Poor contact in ECM • Poor contact in coupling connector • Poor contact in joint connector
<p>2</p> <p>CHECK HARNESS BETWEEN ENGINE COOLANT TEMPERATURE SENSOR AND ECM CONNECTOR.</p> <p>1) Turn the ignition switch to OFF.</p> <p>2) Disconnect the connector from engine coolant temperature sensor.</p> <p>3) Turn the ignition switch to ON.</p> <p>4) Read the data of engine coolant temperature sensor signal using Subaru Select Monitor or general scan tool.</p> <p>NOTE:</p> <ul style="list-style-type: none"> • Subaru Select Monitor <p>For detailed operation procedure, refer to the "READ CURRENT DATA FOR ENGINE". <Ref. to EN(H4SO)(diag)-28, Subaru Select Monitor.></p> <ul style="list-style-type: none"> • General scan tool <p>For detailed operation procedures, refer to the General Scan Tool Instruction Manual.</p>	<p>Is the engine coolant temperature less than -40°C (-40°F)?</p>	<p>Replace the engine coolant temperature sensor. <Ref. to FU(H4SO)-22, Engine Coolant Temperature Sensor.></p>	<p>Repair battery short circuit in harness between engine coolant temperature sensor and ECM connector.</p>

Diagnostic Procedure with Diagnostic Trouble Code (DTC)

ENGINE (DIAGNOSTICS)

V: DTC P0118 ENGINE COOLANT TEMPERATURE CIRCUIT HIGH INPUT

DTC DETECTING CONDITION:

- Immediately at fault recognition
- GENERAL DESCRIPTION <Ref. to GD(H4SO)-36, DTC P0118 ENGINE COOLANT TEMPERATURE CIRCUIT HIGH INPUT, Diagnostic Trouble Code (DTC) Detecting Criteria.>

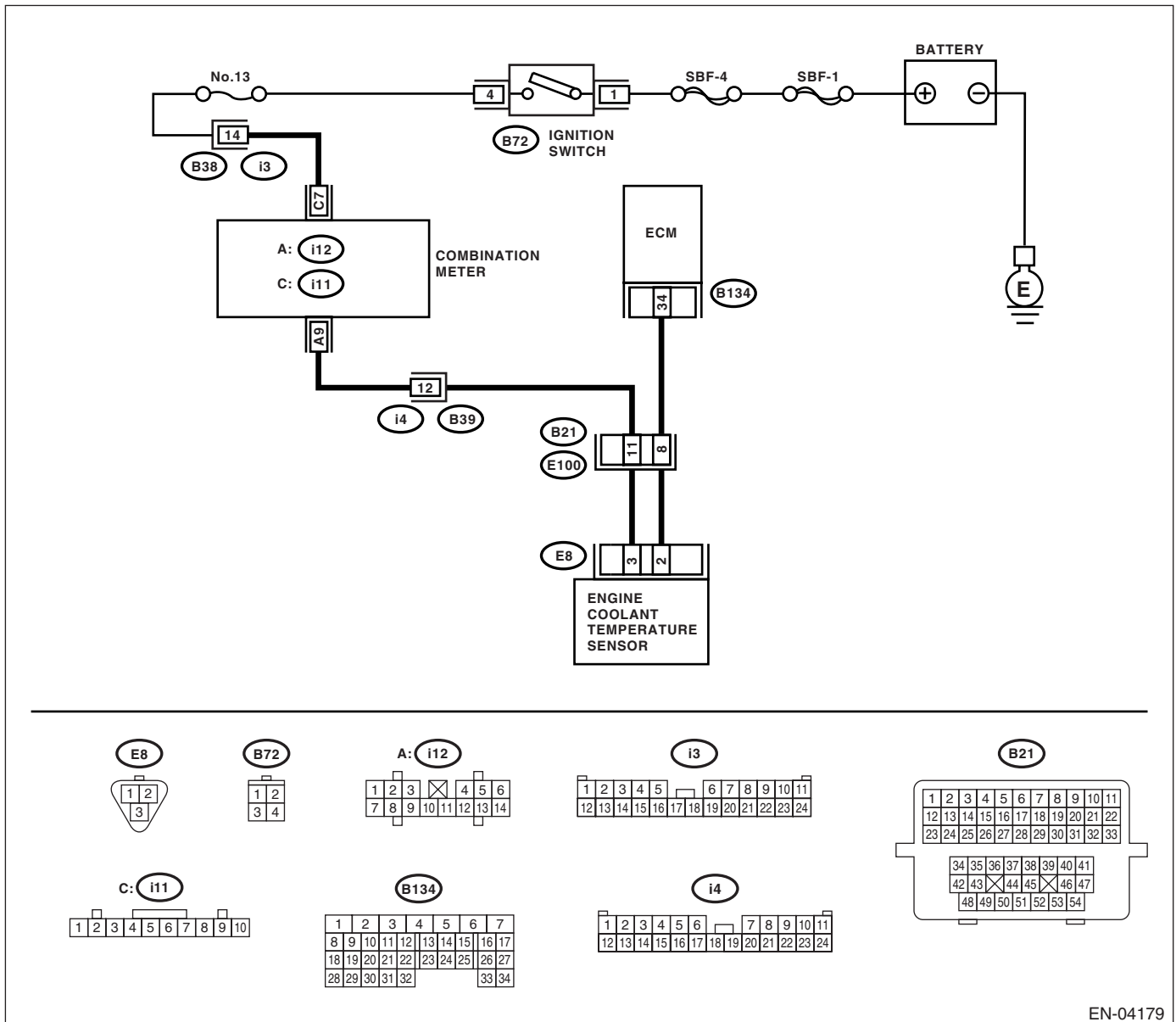
TROUBLE SYMPTOM:

- Hard to start
- Erroneous idling
- Poor driving performance

CAUTION:

After repair or replacement of faulty parts, conduct Clear Memory Mode <Ref. to EN(H4SO)(diag)-46, OPERATION, Clear Memory Mode.> and Inspection Mode <Ref. to EN(H4SO)(diag)-36, PROCEDURE, Inspection Mode.>.

WIRING DIAGRAM:



EN-04179

Diagnostic Procedure with Diagnostic Trouble Code (DTC)

ENGINE (DIAGNOSTICS)

Step	Check	Yes	No
<p>1</p> <p>CHECK CURRENT DATA.</p> <p>1) Start the engine.</p> <p>2) Read the data of engine coolant temperature sensor signal using Subaru Select Monitor or general scan tool.</p> <p>NOTE:</p> <ul style="list-style-type: none"> • Subaru Select Monitor <p>For detailed operation procedure, refer to the "READ CURRENT DATA FOR ENGINE". <Ref. to EN(H4SO)(diag)-28, Subaru Select Monitor.></p> <ul style="list-style-type: none"> • General scan tool <p>For detailed operation procedures, refer to the General Scan Tool Instruction Manual.</p>	<p>Is the engine coolant temperature less than -40°C (-40°F)?</p>	<p>Go to step 2.</p>	<p>Repair poor contact.</p> <p>NOTE:</p> <p>In this case, repair the following:</p> <ul style="list-style-type: none"> • Poor contact in engine coolant temperature sensor • Poor contact in ECM • Poor contact in coupling connector • Poor contact in joint connector
<p>2</p> <p>CHECK HARNESS BETWEEN ENGINE COOLANT TEMPERATURE SENSOR AND ECM CONNECTOR.</p> <p>1) Turn the ignition switch to OFF.</p> <p>2) Disconnect the connector from engine coolant temperature sensor.</p> <p>3) Measure the voltage between engine coolant temperature sensor connector and engine ground.</p> <p>Connector & terminal (E8) No. 3 (+) — Engine ground (-):</p>	<p>Is the voltage more than 10 V?</p>	<p>Repair battery short circuit in harness between ECM and engine coolant temperature sensor connector.</p>	<p>Go to step 3.</p>
<p>3</p> <p>CHECK HARNESS BETWEEN ENGINE COOLANT TEMPERATURE SENSOR AND ECM CONNECTOR.</p> <p>1) Turn the ignition switch to ON.</p> <p>2) Measure the voltage between engine coolant temperature sensor connector and engine ground.</p> <p>Connector & terminal (E8) No. 3 (+) — Engine ground (-):</p>	<p>Is the voltage more than 10 V?</p>	<p>Repair battery short circuit in harness between ECM and engine coolant temperature sensor connector.</p>	<p>Go to step 4.</p>
<p>4</p> <p>CHECK HARNESS BETWEEN ENGINE COOLANT TEMPERATURE SENSOR AND ECM CONNECTOR.</p> <p>Measure the voltage between engine coolant temperature sensor connector and engine ground.</p> <p>Connector & terminal (E8) No. 3 (+) — Engine ground (-):</p>	<p>Is the voltage more than 4 V?</p>	<p>Go to step 5.</p>	<p>Repair harness and connector.</p> <p>NOTE:</p> <p>In this case, repair the following:</p> <ul style="list-style-type: none"> • Open circuit in harness between ECM and engine coolant temperature sensor connector • Poor contact in engine coolant temperature sensor connector • Poor contact in ECM connector • Poor contact in coupling connector • Poor contact in joint connector

Diagnostic Procedure with Diagnostic Trouble Code (DTC)

ENGINE (DIAGNOSTICS)

Step	Check	Yes	No
5 CHECK HARNESS BETWEEN ENGINE COOLANT TEMPERATURE SENSOR AND ECM CONNECTOR. 1) Turn the ignition switch to OFF. 2) Measure the resistance of harness between engine coolant temperature sensor connector and engine ground. Connector & terminal (E8) No. 2 — Engine ground:	Is the resistance less than 5 Ω ?	Replace the engine coolant temperature sensor. <Ref. to FU(H4SO)-22, Engine Coolant Temperature Sensor.>	Repair harness and connector. NOTE: In this case, repair the following: <ul style="list-style-type: none"> • Open circuit in harness between ECM and engine coolant temperature sensor connector • Poor contact in engine coolant temperature sensor connector • Poor contact in ECM connector • Poor contact in coupling connector • Poor contact in joint connector

W: DTC P0122 THROTTLE/PEDAL POSITION SENSOR/SWITCH “A” CIRCUIT LOW INPUT

DTC DETECTING CONDITION:

- Immediately at fault recognition
- GENERAL DESCRIPTION <Ref. to GD(H4SO)-38, DTC P0122 THROTTLE/PEDAL POSITION SENSOR/SWITCH “A” CIRCUIT LOW INPUT, Diagnostic Trouble Code (DTC) Detecting Criteria.>

TROUBLE SYMPTOM:

- Erroneous idling
- Engine stalls.
- Poor driving performance

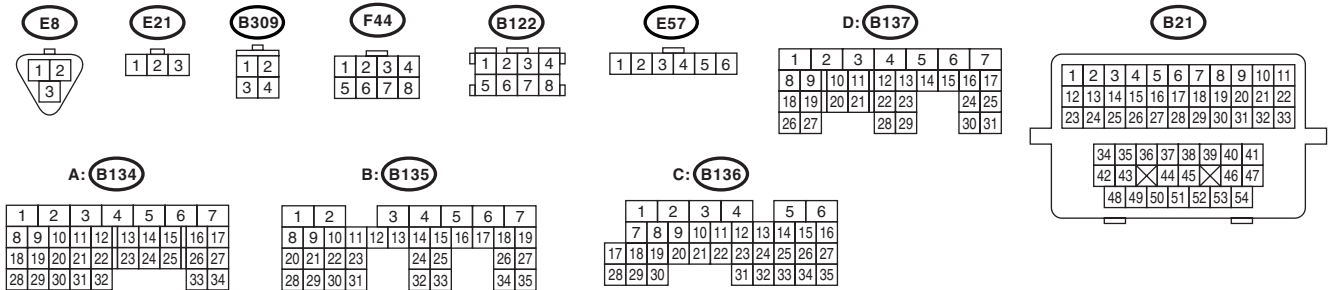
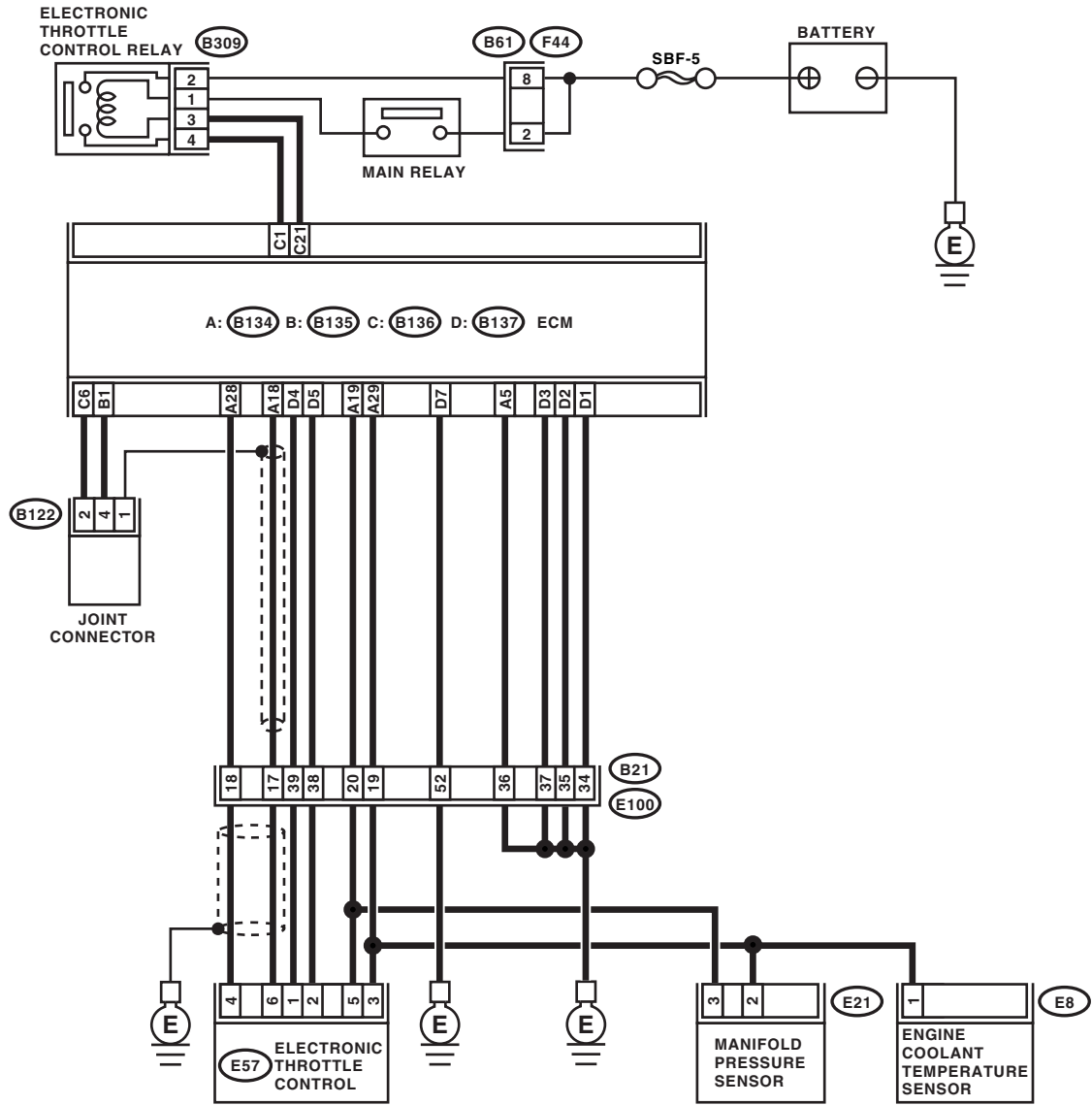
CAUTION:

After repair or replacement of faulty parts, conduct Clear Memory Mode <Ref. to EN(H4SO)(diag)-46, OPERATION, Clear Memory Mode.> and Inspection Mode <Ref. to EN(H4SO)(diag)-36, PROCEDURE, Inspection Mode.>.

Diagnostic Procedure with Diagnostic Trouble Code (DTC)

ENGINE (DIAGNOSTICS)

WIRING DIAGRAM:



EN-04700

Diagnostic Procedure with Diagnostic Trouble Code (DTC)

ENGINE (DIAGNOSTICS)

Step	Check	Yes	No
1 CHECK SENSOR OUTPUT. 1) Turn the ignition switch to ON. 2) Read the data of main throttle sensor signal using Subaru Select Monitor.	Is the voltage more than 0.4 V?	Go to step 2.	Go to step 3.
2 CHECK POOR CONTACT. Check poor contact in connector between ECM and electronic throttle control.	Is there poor contact in connector between ECM and electronic throttle control?	Repair the poor contact.	Temporary poor contact occurred, but it is normal at present.
3 CHECK HARNESS BETWEEN ECM AND ELECTRONIC THROTTLE CONTROL. 1) Turn the ignition switch to OFF. 2) Disconnect the connector from ECM. 3) Disconnect the connectors from electronic throttle control. 4) Measure the resistance between ECM connector and electronic throttle control connector. <i>Connector & terminal</i> <i>(B134) No. 18 — (E57) No. 6:</i> <i>(B134) No. 19 — (E57) No. 5:</i>	Is the resistance less than 1 Ω ?	Go to step 4.	Repair the open circuit of harness connector.
4 CHECK HARNESS BETWEEN ECM AND ELECTRONIC THROTTLE CONTROL. Measure the resistance between ECM connector and chassis ground. <i>Connector & terminal</i> <i>(B134) No. 18 — Chassis ground:</i> <i>(B134) No. 19 — Chassis ground:</i>	Is the resistance more than 1 M Ω ?	Go to step 5.	Repair the ground short circuit of harness.
5 CHECK POWER SUPPLY OF ELECTRONIC THROTTLE CONTROL. 1) Connect the ECM connector. 2) Turn the ignition switch to ON. 3) Measure the voltage between electronic throttle control connector and engine ground. <i>Connector & terminal</i> <i>(E57) No. 5 (+) — Engine ground (-):</i>	Is the voltage 4.5 — 5.5 V?	Go to step 6.	Repair the poor contact in ECM connector. Replace the ECM if defective. <Ref. to FU(H4SO)-38, Engine Control Module (ECM).>
6 CHECK SHORT CIRCUIT INSIDE THE ECM. 1) Turn the ignition switch to OFF. 2) Measure the resistance between electronic throttle control connector and engine ground. <i>Connector & terminal</i> <i>(E57) No. 6 — Engine ground:</i>	Is the resistance more than 10 Ω ?	Repair poor contact of electronic throttle control connector. Replace the electronic throttle control. <Ref. to FU(H4SO)-12, Throttle Body.>	Repair the poor contact in ECM connector. Replace the ECM if defective. <Ref. to FU(H4SO)-38, Engine Control Module (ECM).>

X: DTC P0123 THROTTLE/PEDAL POSITION SENSOR/SWITCH “A” CIRCUIT HIGH INPUT

DTC DETECTING CONDITION:

- Immediately at fault recognition
- GENERAL DESCRIPTION <Ref. to GD(H4SO)-39, DTC P0123 THROTTLE/PEDAL POSITION SENSOR/SWITCH “A” CIRCUIT HIGH INPUT, Diagnostic Trouble Code (DTC) Detecting Criteria.>

TROUBLE SYMPTOM:

- Erroneous idling
- Engine stalls.
- Poor driving performance

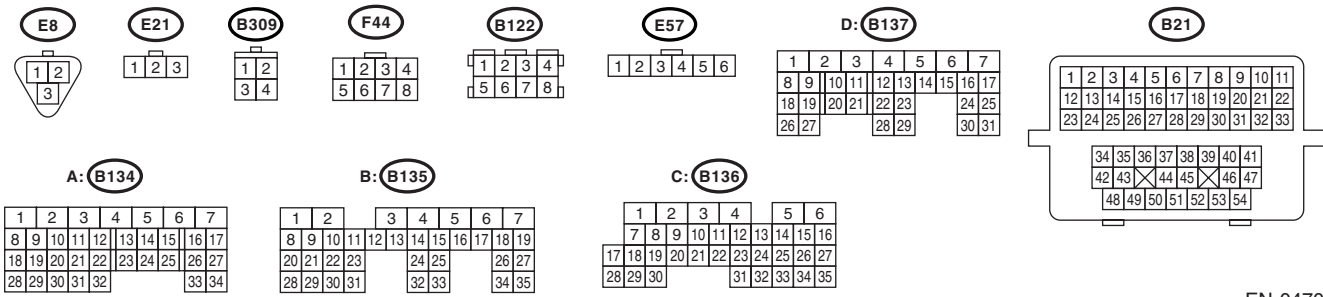
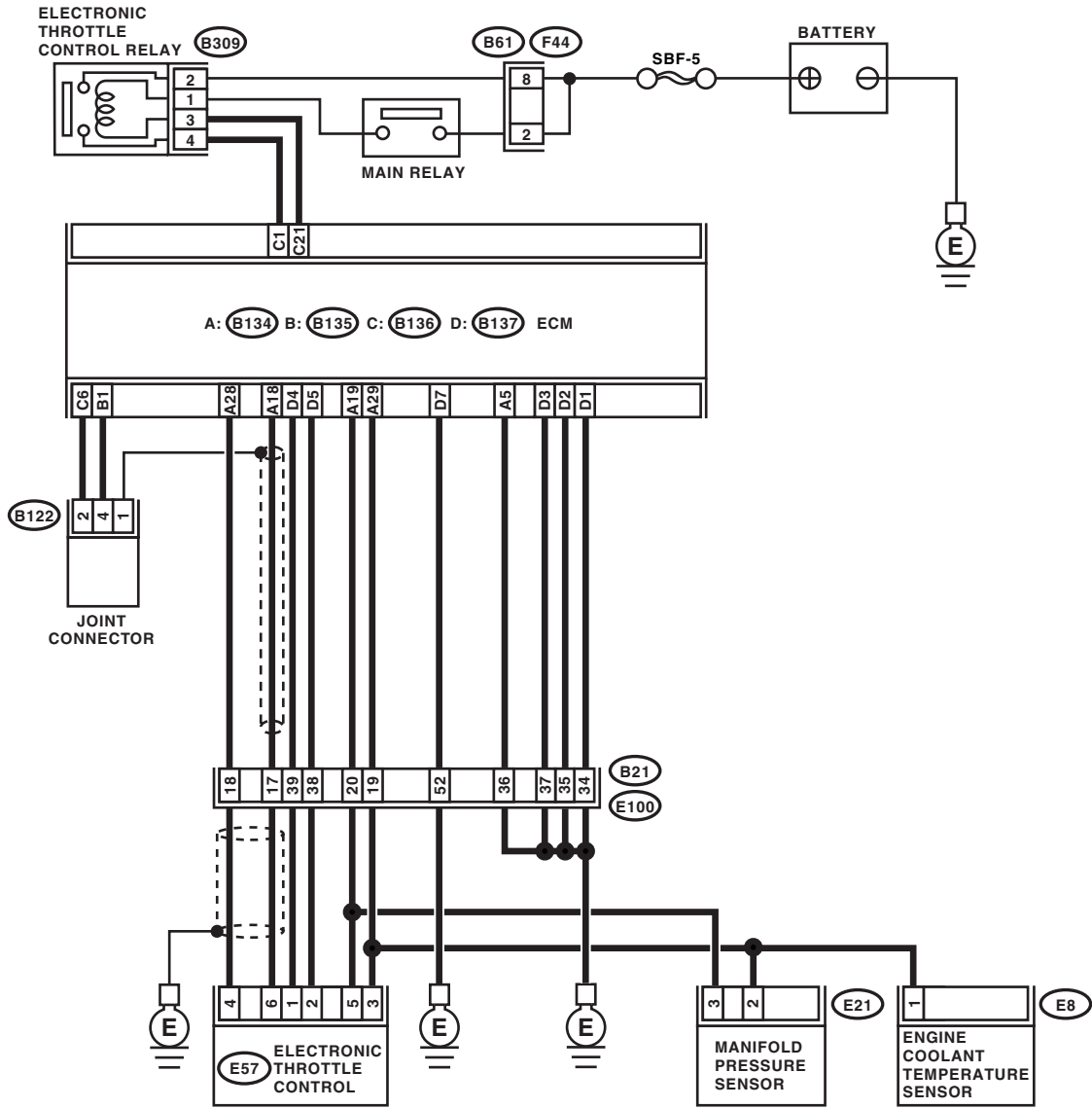
CAUTION:

After repair or replacement of faulty parts, conduct Clear Memory Mode <Ref. to EN(H4SO)(diag)-46, OPERATION, Clear Memory Mode.> and Inspection Mode <Ref. to EN(H4SO)(diag)-36, PROCEDURE, Inspection Mode.>.

Diagnostic Procedure with Diagnostic Trouble Code (DTC)

ENGINE (DIAGNOSTICS)

WIRING DIAGRAM:



EN-04700

Diagnostic Procedure with Diagnostic Trouble Code (DTC)

ENGINE (DIAGNOSTICS)

Step	Check	Yes	No
1 CHECK SENSOR OUTPUT. 1) Turn the ignition switch to ON. 2) Read the data of main throttle sensor signal using Subaru Select Monitor.	Is the voltage less than 4.63 V?	Go to step 2.	Go to step 3.
2 CHECK POOR CONTACT. Check poor contact in connector between ECM and electronic throttle control.	Is there poor contact in connector between ECM and electronic throttle control?	Repair the poor contact.	Temporary poor contact occurred, but it is normal at present.
3 CHECK HARNESS BETWEEN ECM AND ELECTRONIC THROTTLE CONTROL. 1) Turn the ignition switch to OFF. 2) Disconnect the connector from ECM. 3) Disconnect the connectors from electronic throttle control. 4) Measure the resistance between ECM connector and electronic throttle control connector. <i>Connector & terminal</i> <i>(B134) No. 18 — (E57) No. 6:</i>	Is the resistance less than 1 Ω ?	Go to step 4.	Repair the open circuit of harness connector.
4 CHECK HARNESS BETWEEN ECM AND ELECTRONIC THROTTLE CONTROL. 1) Connect the ECM connector. 2) Measure the resistance between electronic throttle control connector and engine ground. <i>Connector & terminal</i> <i>(E57) No. 3 — Engine ground:</i>	Is the resistance less than 1 Ω ?	Go to step 5.	Repair the poor contact in ECM connector. Replace the ECM if defective. <Ref. to FU(H4SO)-38, Engine Control Module (ECM).>
5 CHECK SENSOR OUTPUT POWER SUPPLY. Measure the voltage between electronic throttle control connector and engine ground. <i>Connector & terminal</i> <i>(E57) No. 6 (+) — Engine ground (-):</i>	Is the voltage less than 10 V?	Replace the electronic throttle control. <Ref. to FU(H4SO)-12, Throttle Body.>	Repair battery short circuit in harness between ECM connector and electronic throttle control connector.

Diagnostic Procedure with Diagnostic Trouble Code (DTC)

ENGINE (DIAGNOSTICS)

Y: DTC P0125 INSUFFICIENT COOLANT TEMPERATURE FOR CLOSED LOOP FUEL CONTROL

DTC DETECTING CONDITION:

- Two consecutive driving cycles with fault
- GENERAL DESCRIPTION <Ref. to GD(H4SO)-40, DTC P0125 INSUFFICIENT COOLANT TEMPERATURE FOR CLOSED LOOP FUEL CONTROL, Diagnostic Trouble Code (DTC) Detecting Criteria.>

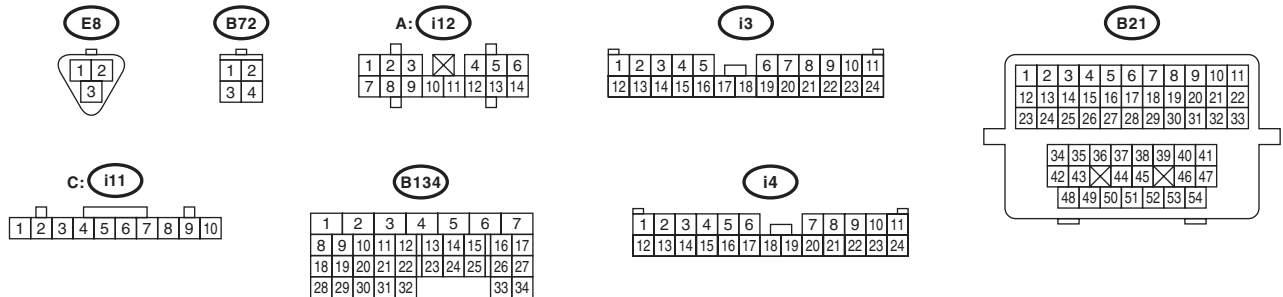
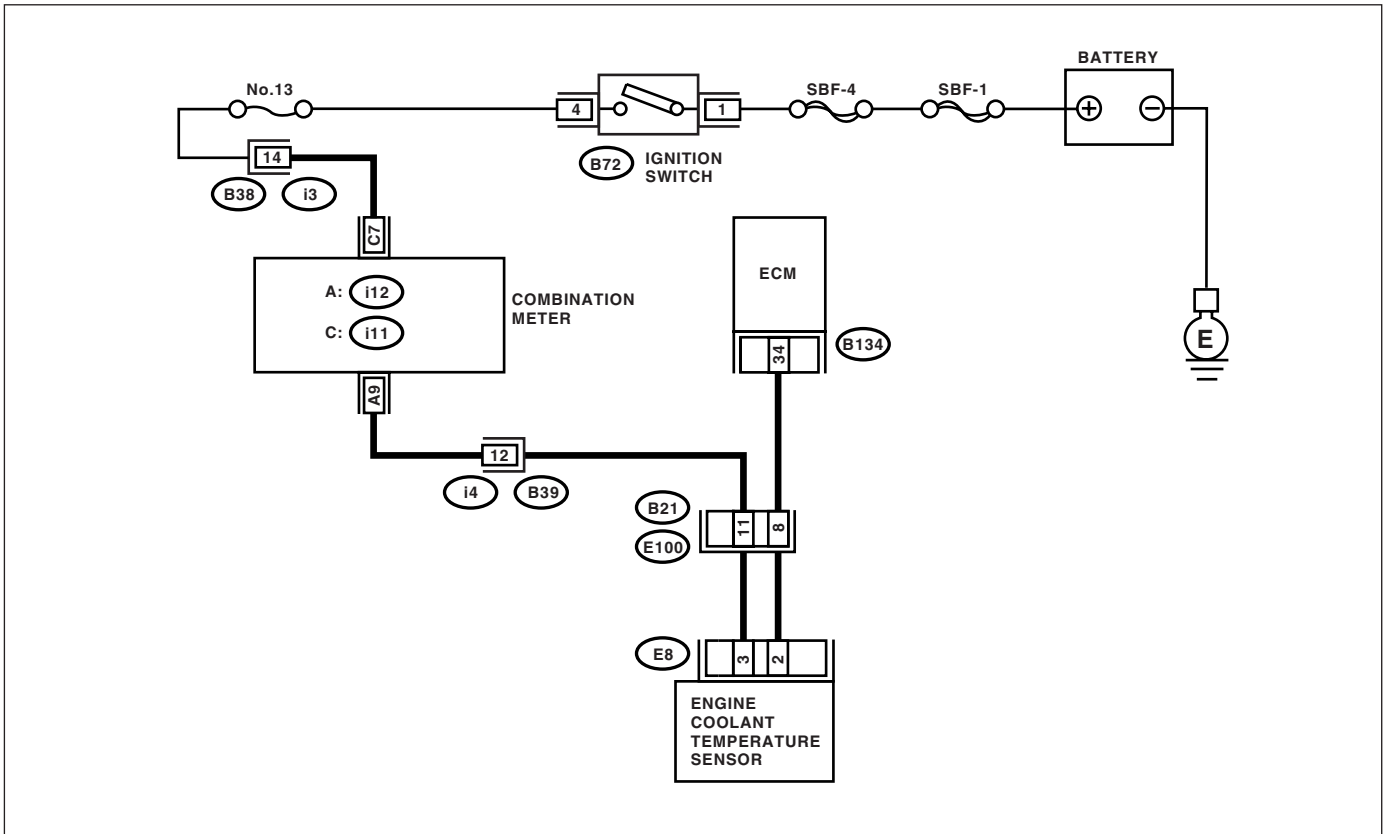
TROUBLE SYMPTOM:

Engine would not return to idling.

CAUTION:

After repair or replacement of faulty parts, conduct Clear Memory Mode <Ref. to EN(H4SO)(diag)-46, OPERATION, Clear Memory Mode.> and Inspection Mode <Ref. to EN(H4SO)(diag)-36, PROCEDURE, Inspection Mode.>.

WIRING DIAGRAM:



EN-04179

Diagnostic Procedure with Diagnostic Trouble Code (DTC)

ENGINE (DIAGNOSTICS)

Step	Check	Yes	No
1 CHECK ANY OTHER DTC ON DISPLAY.	Is any other DTC displayed?	Check DTC using "List of Diagnostic Trouble Code (DTC)". <Ref. to EN(H4SO)(diag)-73, List of Diagnostic Trouble Code (DTC).> NOTE: In this case, it is not necessary to inspect DTC P0125.	Go to step 2.
2 CHECK THERMOSTAT.	Does the thermostat remain opened?	Replace the thermostat. <Ref. to CO(H4SO)-21, Thermostat.>	Replace the engine coolant temperature sensor. <Ref. to FU(H4SO)-22, Engine Coolant Temperature Sensor.>

Diagnostic Procedure with Diagnostic Trouble Code (DTC)

ENGINE (DIAGNOSTICS)

Z: DTC P0126 INSUFFICIENT COOLANT TEMPERATURE FOR STABLE OPERATION

DTC DETECTING CONDITION:

- Two consecutive driving cycles with fault
- GENERAL DESCRIPTION <Ref. to GD(H4SO)-42, DTC P0126 INSUFFICIENT ENGINE COOLANT TEMPERATURE FOR STABLE OPERATION, Diagnostic Trouble Code (DTC) Detecting Criteria.>

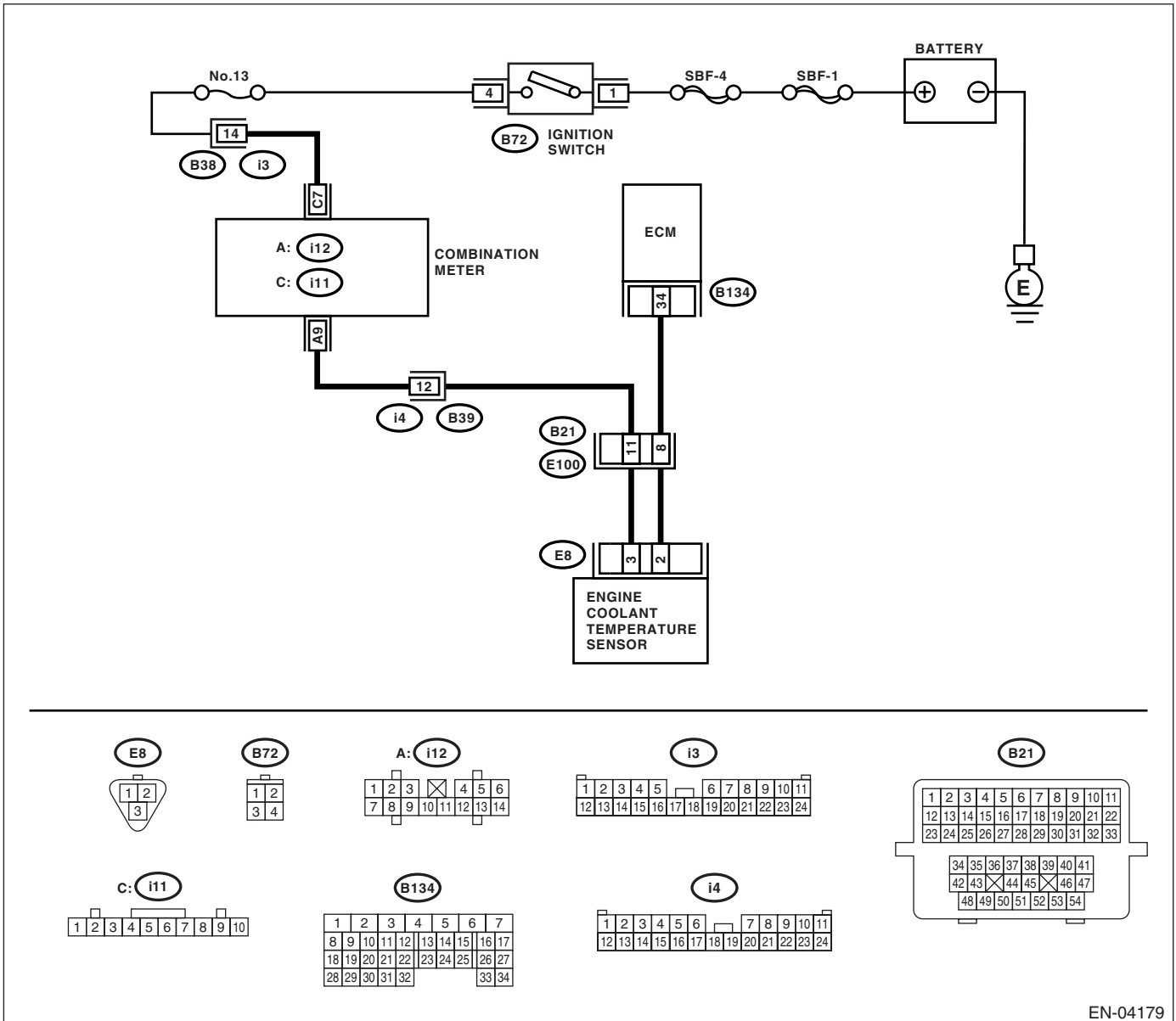
TROUBLE SYMPTOM:

Engine would not return to idling.

CAUTION:

After repair or replacement of faulty parts, conduct Clear Memory Mode <Ref. to EN(H4SO)(diag)-46, OPERATION, Clear Memory Mode.> and Inspection Mode <Ref. to EN(H4SO)(diag)-36, PROCEDURE, Inspection Mode.>.

WIRING DIAGRAM:



EN-04179

Diagnostic Procedure with Diagnostic Trouble Code (DTC)

ENGINE (DIAGNOSTICS)

Step	Check	Yes	No
1 CHECK ANY OTHER DTC ON DISPLAY.	Is any other DTC displayed?	Inspect the DTC using "List of Diagnostic Trouble Code (DTC)". <Ref. to EN(H4SO)(diag)-73, List of Diagnostic Trouble Code (DTC).>	Go to step 2.
2 CHECK ENGINE COOLANT TEMPERATURE SENSOR. Measure the resistance between engine coolant temperature sensor terminals when engine coolant is cold and after warmed-up. Terminals No. 2 — No. 3:	Is the resistance of engine coolant temperature sensor different between when engine coolant is cold and after warmed-up?	Contact your SOA Service Center since deterioration of some parts may be the cause.	Replace the engine coolant temperature sensor. <Ref. to FU(H4SO)-22, Engine Coolant Temperature Sensor.>

Diagnostic Procedure with Diagnostic Trouble Code (DTC)

ENGINE (DIAGNOSTICS)

AA:DTC P0128 COOLANT THERMOSTAT (COOLANT TEMPERATURE BELOW THERMOSTAT REGULATING TEMPERATURE)

DTC DETECTING CONDITION:

- Two consecutive driving cycles with fault
- GENERAL DESCRIPTION <Ref. to GD(H4SO)-44, DTC P0128 COOLANT THERMOSTAT (COOLANT TEMPERATURE BELOW THERMOSTAT REGULATING TEMPERATURE), Diagnostic Trouble Code (DTC) Detecting Criteria.>

TROUBLE SYMPTOM:

Thermostat remains open.

CAUTION:

After repair or replacement of faulty parts, conduct Clear Memory Mode <Ref. to EN(H4SO)(diag)-46, OPERATION, Clear Memory Mode.> and Inspection Mode <Ref. to EN(H4SO)(diag)-36, PROCEDURE, Inspection Mode.>.

Step	Check	Yes	No
1 CHECK VEHICLE CONDITION.	Was the vehicle driven or idled with the engine partially submerged under water?	In this case, it is not necessary to inspect DTC P0128.	Go to step 2.
2 CHECK ANY OTHER DTC ON DISPLAY.	Is any other DTC displayed?	Inspect DTC using "List of Diagnostic Trouble Code (DTC)". <Ref. to EN(H4SO)(diag)-73, List of Diagnostic Trouble Code (DTC).>	Go to step 3.
3 CHECK ENGINE COOLANT.	Are coolant level and mixture ratio of cooling water to anti-freeze solution correct?	Go to step 4.	Replace the engine coolant. <Ref. to CO(H4SO)-16, REPLACEMENT, Engine Coolant.>
4 CHECK RADIATOR FAN. 1) Start the engine. 2) Check radiator fan operation.	Does the radiator fan continuously rotate for more than 3 minutes during idling?	Repair radiator fan circuit. <Ref. to CO(H4SO)-27, Radiator Main Fan and Fan Motor.> and <Ref. to CO(H4SO)-28, Radiator Sub Fan and Fan Motor.>	Replace the thermostat. <Ref. to CO(H4SO)-21, Thermostat.>

Diagnostic Procedure with Diagnostic Trouble Code (DTC)

ENGINE (DIAGNOSTICS)

AB:DTC P0131 O₂ SENSOR CIRCUIT LOW VOLTAGE (BANK 1 SENSOR 1)

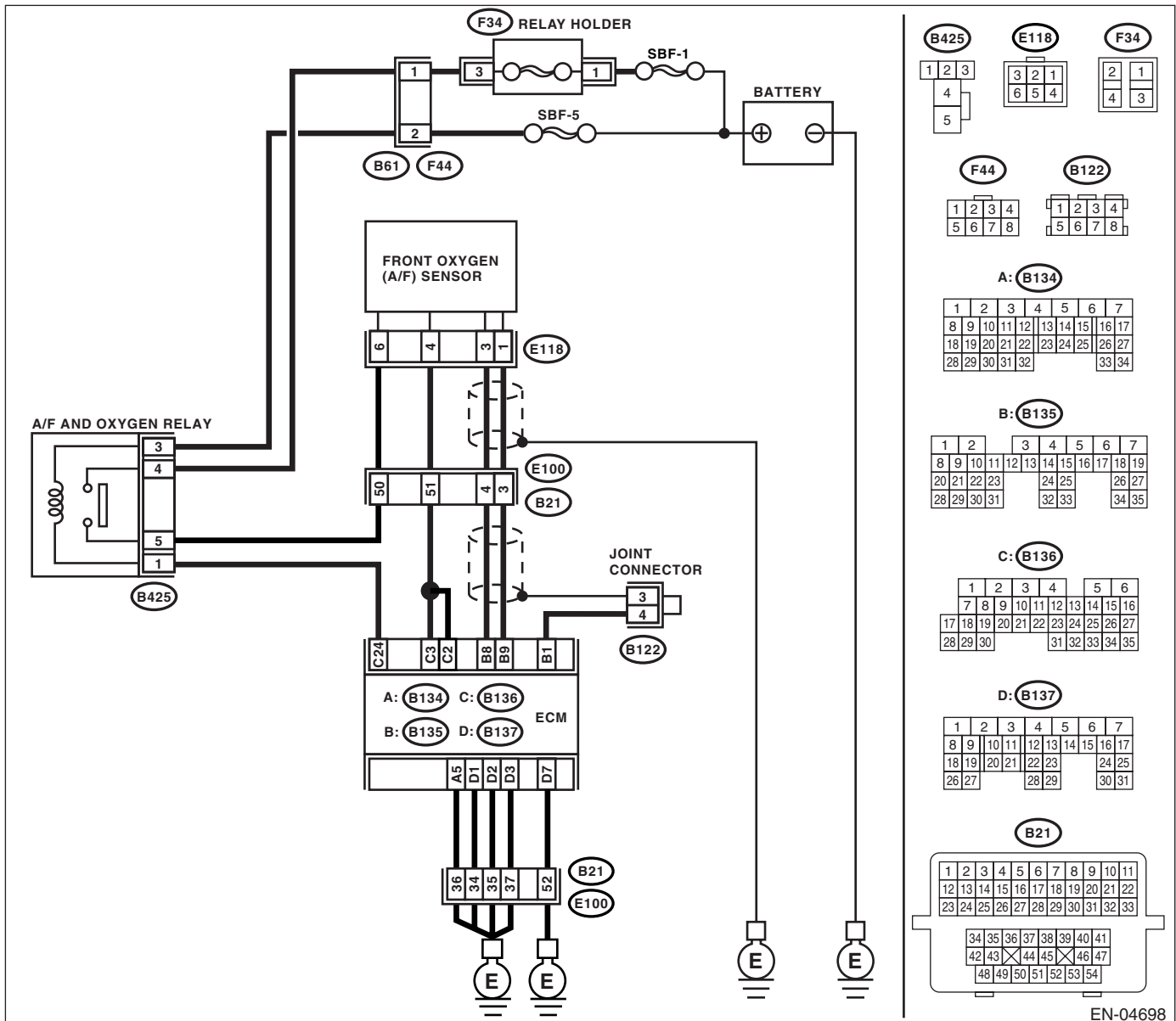
DTC DETECTING CONDITION:

- Immediately at fault recognition
- GENERAL DESCRIPTION <Ref. to GD(H4SO)-46, DTC P0131 O₂ SENSOR CIRCUIT LOW VOLTAGE (BANK 1 SENSOR 1), Diagnostic Trouble Code (DTC) Detecting Criteria.>

CAUTION:

After repair or replacement of faulty parts, conduct Clear Memory Mode <Ref. to EN(H4SO)(diag)-46, OPERATION, Clear Memory Mode.> and Inspection Mode <Ref. to EN(H4SO)(diag)-36, PROCEDURE, Inspection Mode.>.

WIRING DIAGRAM:



Diagnostic Procedure with Diagnostic Trouble Code (DTC)

ENGINE (DIAGNOSTICS)

Step	Check	Yes	No
1 CHECK FRONT OXYGEN (A/F) SENSOR CONNECTOR AND COUPLING CONNECTOR.	Is there water in connector?	Remove infiltrating water completely.	Go to step 2.
2 CHECK HARNESS BETWEEN ECM AND FRONT OXYGEN (A/F) SENSOR CONNECTOR. 1) Turn the ignition switch to OFF. 2) Disconnect the connectors from ECM and front oxygen (A/F) sensor connector. 3) Measure the resistance of harness between ECM and front oxygen (A/F) sensor connector. Connector & terminal (B135) No. 9 — Chassis ground: (B135) No. 8 — Chassis ground:	Is the resistance more than 1 MΩ?	Replace the front oxygen (A/F) sensor. <Ref. to FU(H4SO)-36, Front Oxygen (A/F) Sensor.>	Repair ground short circuit in harness between ECM and front oxygen (A/F) sensor connector.

Diagnostic Procedure with Diagnostic Trouble Code (DTC)

ENGINE (DIAGNOSTICS)

AC:DTC P0132 O₂ SENSOR CIRCUIT HIGH VOLTAGE (BANK 1 SENSOR 1)

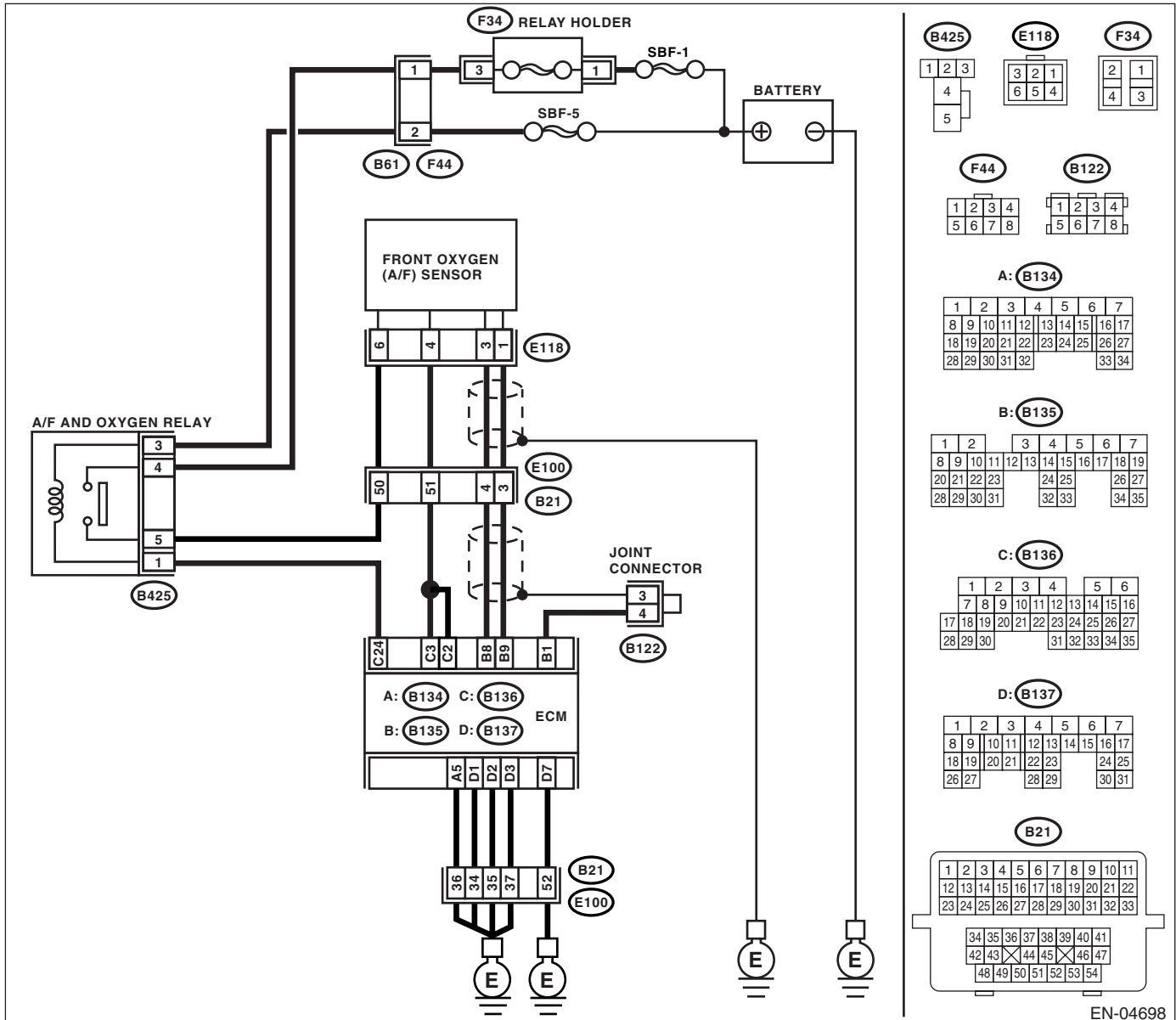
DTC DETECTING CONDITION:

- Immediately at fault recognition
- GENERAL DESCRIPTION <Ref. to GD(H4SO)-47, DTC P0132 O₂ SENSOR CIRCUIT HIGH VOLTAGE (BANK 1 SENSOR 1), Diagnostic Trouble Code (DTC) Detecting Criteria.>

CAUTION:

After repair or replacement of faulty parts, conduct Clear Memory Mode <Ref. to EN(H4SO)(diag)-46, OPERATION, Clear Memory Mode.> and Inspection Mode <Ref. to EN(H4SO)(diag)-36, PROCEDURE, Inspection Mode.>.

WIRING DIAGRAM:



EN-04698

Diagnostic Procedure with Diagnostic Trouble Code (DTC)

ENGINE (DIAGNOSTICS)

Step	Check	Yes	No
1 CHECK FRONT OXYGEN (A/F) SENSOR CONNECTOR AND COUPLING CONNECTOR.	Is there water in connector?	Remove infiltrating water completely.	Go to step 2.
2 CHECK HARNESS BETWEEN ECM AND FRONT OXYGEN (A/F) SENSOR CONNECTOR. 1) Turn the ignition switch to ON. 2) Disconnect the connectors from front oxygen (A/F) sensor. 3) Measure the voltage of harness between ECM connector and chassis ground. <i>Connector & terminal</i> <i>(B135) No. 8 (+) — Chassis ground (-):</i> <i>(B135) No. 9 (+) — Chassis ground (-):</i>	Is the voltage more than 8 V?	Repair battery short circuit in harness between ECM and front oxygen (A/F) sensor connector.	Replace the front oxygen (A/F) sensor. <Ref. to FU(H4SO)-36, Front Oxygen (A/F) Sensor.>

Diagnostic Procedure with Diagnostic Trouble Code (DTC)

ENGINE (DIAGNOSTICS)

AD:DTC P0133 O₂ SENSOR CIRCUIT SLOW RESPONSE (BANK 1 SENSOR 1)

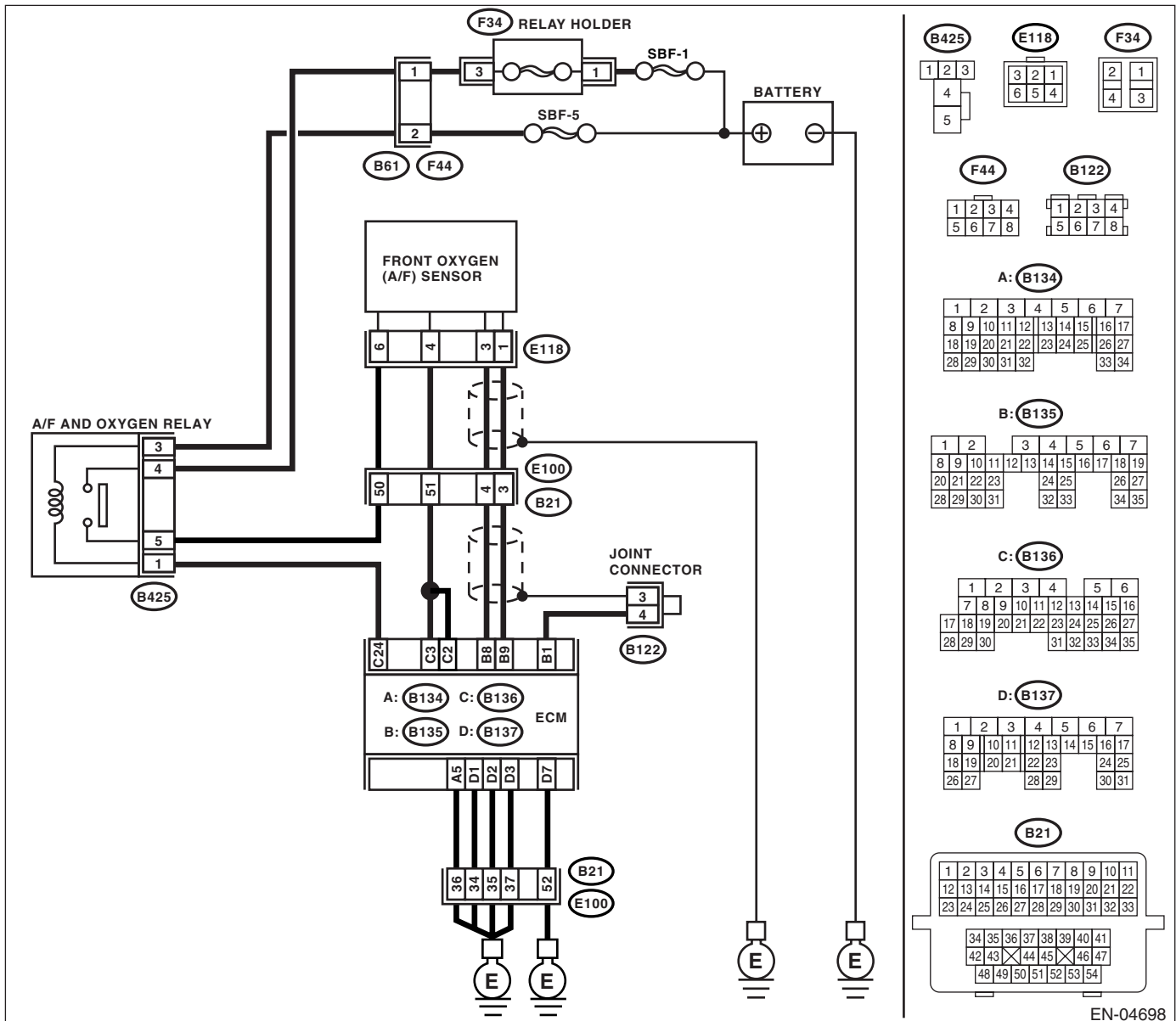
DTC DETECTING CONDITION:

- Two consecutive driving cycles with fault
- GENERAL DESCRIPTION <Ref. to GD(H4SO)-49, DTC P0133 O₂ SENSOR CIRCUIT SLOW RESPONSE (BANK 1 SENSOR 1), Diagnostic Trouble Code (DTC) Detecting Criteria.>

CAUTION:

After repair or replacement of faulty parts, conduct Clear Memory Mode <Ref. to EN(H4SO)(diag)-46, OPERATION, Clear Memory Mode.> and Inspection Mode <Ref. to EN(H4SO)(diag)-36, PROCEDURE, Inspection Mode.>.

WIRING DIAGRAM:



Diagnostic Procedure with Diagnostic Trouble Code (DTC)

ENGINE (DIAGNOSTICS)

Step	Check	Yes	No
1 CHECK ANY OTHER DTC ON DISPLAY.	Is any other DTC displayed?	Check DTC using "List of Diagnostic Trouble Code (DTC)". <Ref. to EN(H4SO)(diag)-73, List of Diagnostic Trouble Code (DTC).> NOTE: In this case, it is not necessary to inspect DTC P0133.	Go to step 2.
2 CHECK EXHAUST SYSTEM. NOTE: Check the following items. <ul style="list-style-type: none"> • Loose installation of front portion of exhaust pipe onto cylinder heads • Loose connection between front exhaust pipe and front catalytic converter • Damage of exhaust pipe resulting in a hole 	Is there a fault in exhaust system?	Repair exhaust system.	Replace the front oxygen (A/F) sensor. <Ref. to FU(H4SO)-36, Front Oxygen (A/F) Sensor.>

Diagnostic Procedure with Diagnostic Trouble Code (DTC)

ENGINE (DIAGNOSTICS)

AE:DTC P0134 O₂ SENSOR CIRCUIT NO ACTIVITY DETECTED (BANK 1 SENSOR 1)

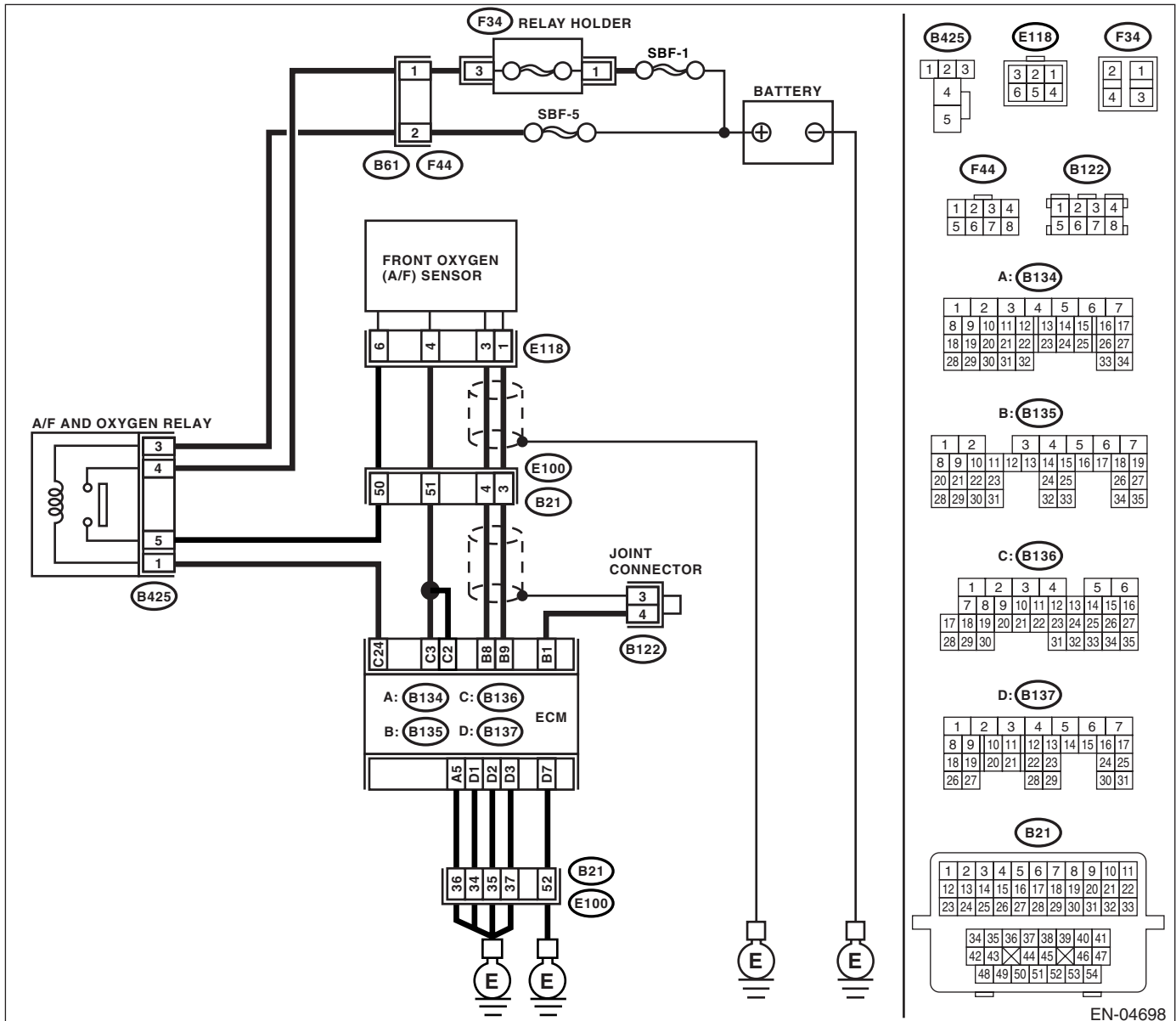
DTC DETECTING CONDITION:

- Immediately at fault recognition
- GENERAL DESCRIPTION <Ref. to GD(H4SO)-51, DTC P0134 O₂ SENSOR CIRCUIT NO ACTIVITY DETECTED (BANK 1 SENSOR 1), Diagnostic Trouble Code (DTC) Detecting Criteria.>

CAUTION:

After repair or replacement of faulty parts, conduct Clear Memory Mode <Ref. to EN(H4SO)(diag)-46, OPERATION, Clear Memory Mode.> and Inspection Mode <Ref. to EN(H4SO)(diag)-36, PROCEDURE, Inspection Mode.>.

WIRING DIAGRAM:



EN-04698

Diagnostic Procedure with Diagnostic Trouble Code (DTC)

ENGINE (DIAGNOSTICS)

Step	Check	Yes	No
<p>1</p> <p>CHECK HARNESS BETWEEN ECM AND FRONT OXYGEN (A/F) SENSOR CONNECTOR.</p> <p>1) Turn the ignition switch to OFF. 2) Disconnect the connectors from ECM and front oxygen (A/F) sensor connector. 3) Measure the resistance of harness between ECM and front oxygen (A/F) sensor connector.</p> <p>Connector & terminal (B135) No. 8 — (E118) No. 3: (B135) No. 9 — (E118) No. 1:</p>	<p>Is the resistance less than 1 Ω?</p>	<p>Go to step 2.</p>	<p>Repair harness and connector.</p> <p>NOTE: In this case, repair the following:</p> <ul style="list-style-type: none"> • Open circuit in harness between ECM and front oxygen (A/F) sensor connector • Poor contact in front oxygen (A/F) sensor connector • Poor contact in ECM connector
<p>2</p> <p>CHECK POOR CONTACT. Check poor contact in front oxygen (A/F) sensor connector.</p>	<p>Is there poor contact in front oxygen (A/F) sensor connector?</p>	<p>Repair poor contact in front oxygen (A/F) sensor connector.</p>	<p>Replace the front oxygen (A/F) sensor. <Ref. to FU(H4SO)-36, Front Oxygen (A/F) Sensor.></p>

Diagnostic Procedure with Diagnostic Trouble Code (DTC)

ENGINE (DIAGNOSTICS)

AF:DTC P0137 O₂ SENSOR CIRCUIT LOW VOLTAGE (BANK 1 SENSOR 2)

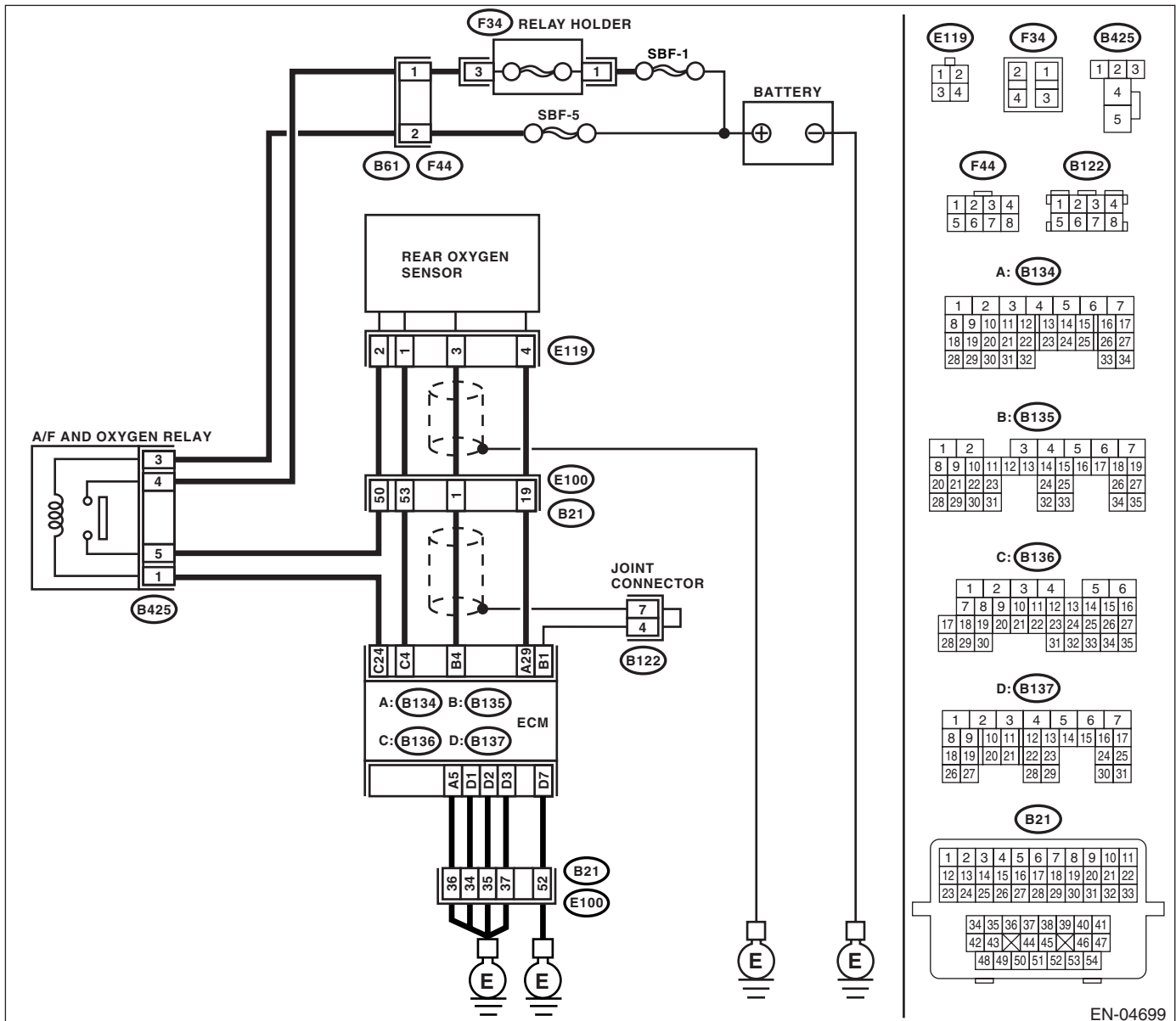
DTC DETECTING CONDITION:

- Two consecutive driving cycles with fault
- GENERAL DESCRIPTION <Ref. to GD(H4SO)-53, DTC P0137 O₂ SENSOR CIRCUIT LOW VOLTAGE (BANK 1 SENSOR 2), Diagnostic Trouble Code (DTC) Detecting Criteria.>

CAUTION:

After repair or replacement of faulty parts, conduct Clear Memory Mode <Ref. to EN(H4SO)(diag)-46, OPERATION, Clear Memory Mode.> and Inspection Mode <Ref. to EN(H4SO)(diag)-36, PROCEDURE, Inspection Mode.>.

WIRING DIAGRAM:



EN-04699

Diagnostic Procedure with Diagnostic Trouble Code (DTC)

ENGINE (DIAGNOSTICS)

Step	Check	Yes	No
1 CHECK ANY OTHER DTC ON DISPLAY.	Is any other DTC displayed?	Check DTC using "List of Diagnostic Trouble Code (DTC)". <Ref. to EN(H4SO)(diag)-73, List of Diagnostic Trouble Code (DTC).> NOTE: In this case, it is not necessary to inspect DTC P0137.	Go to step 2.
2 CHECK REAR OXYGEN SENSOR DATA. 1) Warm-up the engine until engine coolant temperature is above 70°C (158°F), and keep the engine speed at 3,000 rpm. (2 minutes at the longest) 2) Read the data of rear oxygen sensor signal using Subaru Select Monitor or general scan tool. NOTE: • For MT model, depress the clutch pedal. • Subaru Select Monitor For detailed operation procedure, refer to the "READ CURRENT DATA SHOWN ON DISPLAY FOR ENGINE". <Ref. to EN(H4SO)(diag)-28, Subaru Select Monitor.> • General scan tool For detailed operation procedures, refer to the General Scan Tool Instruction Manual.	Is the voltage more than 490 mV?	Go to step 6.	Go to step 3.
3 CHECK REAR OXYGEN SENSOR CONNECTOR AND COUPLING CONNECTOR.	Is there water in connector?	Remove infiltrating water completely.	Go to step 4.
4 CHECK HARNESS BETWEEN ECM AND REAR OXYGEN SENSOR CONNECTOR. 1) Turn the ignition switch to OFF. 2) Disconnect the connectors from ECM and rear oxygen sensor. 3) Measure the resistance of harness between ECM and rear oxygen sensor connector. <i>Connector & terminal</i> <i>(B135) No. 4 — (E119) No. 3:</i> <i>(B134) No. 29 — (E119) No. 4:</i>	Is the resistance more than 3 Ω?	Repair open circuit in harness between ECM and rear oxygen sensor connector.	Go to step 5.
5 CHECK HARNESS BETWEEN REAR OXYGEN SENSOR AND ECM CONNECTOR. 1) Turn the ignition switch to OFF. 2) Disconnect the connector from rear oxygen sensor. 3) Turn the ignition switch to ON. 4) Measure the voltage between rear oxygen sensor harness connector and engine ground or chassis ground. <i>Connector & terminal</i> <i>(E119) No. 3 (+) — Engine ground (-):</i>	Is the voltage 0.2 — 0.5 V?	Replace the rear oxygen sensor. <Ref. to FU(H4SO)-37, Rear Oxygen Sensor.>	Repair harness and connector. NOTE: In this case, repair the following: • Open circuit in harness between rear oxygen sensor and ECM connector • Poor contact in rear oxygen sensor connector • Poor contact in ECM connector

Diagnostic Procedure with Diagnostic Trouble Code (DTC)

ENGINE (DIAGNOSTICS)

Step	Check	Yes	No
6 CHECK EXHAUST SYSTEM. Check exhaust system parts. NOTE: Check the following items. <ul style="list-style-type: none">• Loose installation of portions• Damage (crack, hole etc.) of parts• Looseness and ill fitting of parts between front oxygen (A/F) sensor and rear oxygen sensor	Is there a fault in exhaust system?	Repair or replace faulty parts.	Replace the rear oxygen sensor. <Ref. to FU(H4SO)-37, Rear Oxygen Sensor.>

Diagnostic Procedure with Diagnostic Trouble Code (DTC)

ENGINE (DIAGNOSTICS)

AG:DTC P0138 O₂ SENSOR CIRCUIT HIGH VOLTAGE (BANK 1 SENSOR 2)

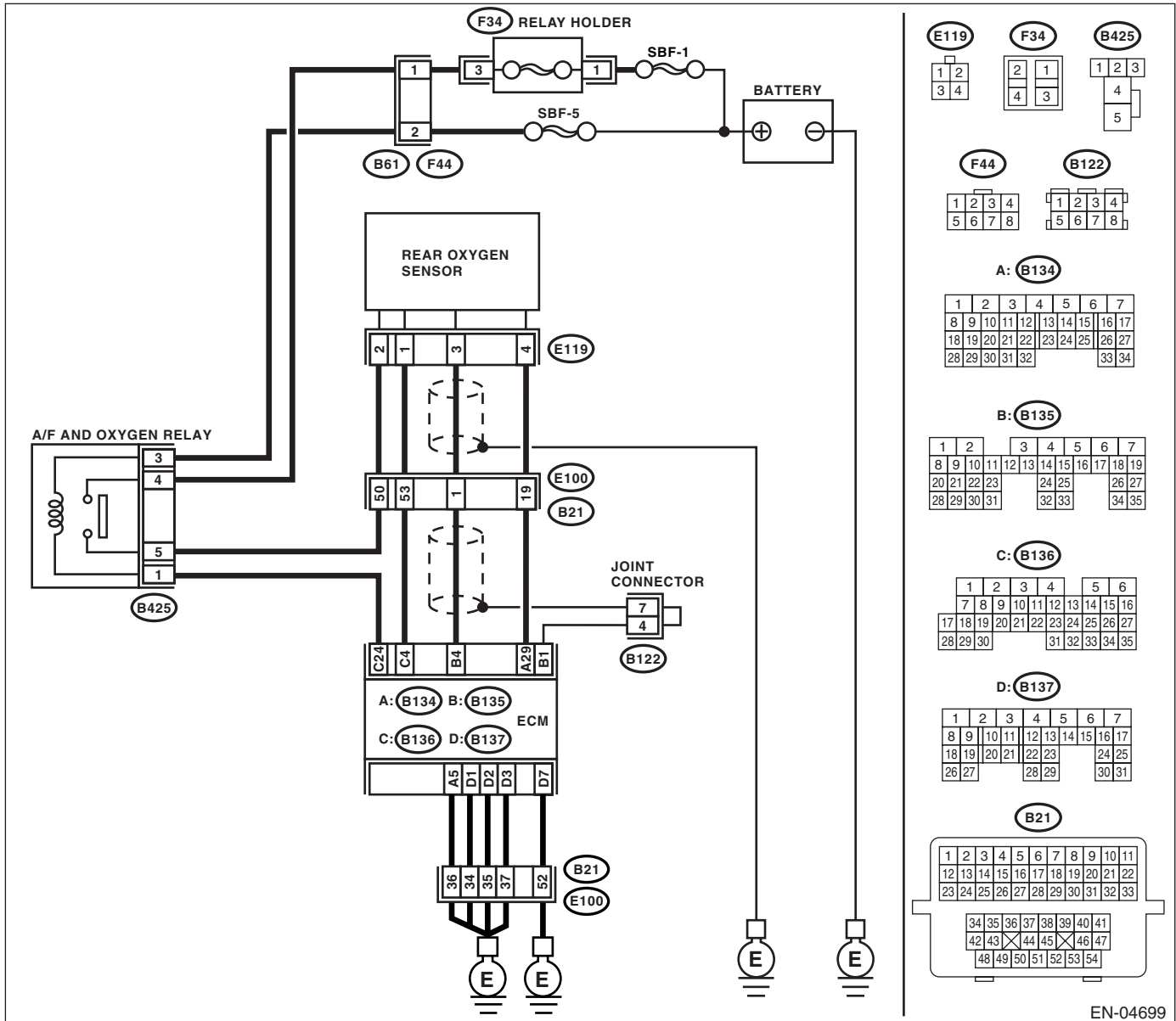
DTC DETECTING CONDITION:

- Two consecutive driving cycles with fault
- GENERAL DESCRIPTION <Ref. to GD(H4SO)-56, DTC P0138 O₂ SENSOR CIRCUIT HIGH VOLTAGE (BANK 1 SENSOR 2), Diagnostic Trouble Code (DTC) Detecting Criteria.>

CAUTION:

After repair or replacement of faulty parts, conduct Clear Memory Mode <Ref. to EN(H4SO)(diag)-46, OPERATION, Clear Memory Mode.> and Inspection Mode <Ref. to EN(H4SO)(diag)-36, PROCEDURE, Inspection Mode.>.

WIRING DIAGRAM:



EN-04699

Diagnostic Procedure with Diagnostic Trouble Code (DTC)

ENGINE (DIAGNOSTICS)

Step	Check	Yes	No	
1	CHECK ANY OTHER DTC ON DISPLAY.	Is any other DTC displayed?	Check DTC using "List of Diagnostic Trouble Code (DTC)". <Ref. to EN(H4SO)(diag)-73, List of Diagnostic Trouble Code (DTC).> NOTE: In this case, it is not necessary to inspect DTC P0138.	Go to step 2.
2	CHECK REAR OXYGEN SENSOR DATA. 1) Warm-up the engine until engine coolant temperature is above 70°C (158°F), and immediately decrease the engine speed from 3,000 rpm. 2) Read the data of rear oxygen sensor signal using Subaru Select Monitor or general scan tool. NOTE: • For MT model, depress the clutch pedal. • Subaru Select Monitor For detailed operation procedure, refer to the "READ CURRENT DATA SHOWN ON DISPLAY FOR ENGINE". <Ref. to EN(H4SO)(diag)-28, Subaru Select Monitor.> • General scan tool For detailed operation procedures, refer to the General Scan Tool Instruction Manual.	Is the voltage less than 250 mV?	Go to step 6.	Go to step 3.
3	CHECK REAR OXYGEN SENSOR CONNECTOR AND COUPLING CONNECTOR.	Is there water in connector?	Remove infiltrating water completely.	Go to step 4.
4	CHECK HARNESS BETWEEN ECM AND REAR OXYGEN SENSOR CONNECTOR. 1) Turn the ignition switch to OFF. 2) Disconnect the connectors from ECM and rear oxygen sensor. 3) Measure the resistance of harness between ECM and rear oxygen sensor connector. Connector & terminal (B135) No. 4 — (E119) No. 3: (B134) No. 29 — (E119) No. 4:	Is the resistance more than 3 Ω?	Repair open circuit in harness between ECM and rear oxygen sensor connector.	Go to step 5.
5	CHECK HARNESS BETWEEN REAR OXYGEN SENSOR AND ECM CONNECTOR. 1) Turn the ignition switch to OFF. 2) Disconnect the connector from rear oxygen sensor. 3) Turn the ignition switch to ON. 4) Measure the voltage between rear oxygen sensor harness connector and engine ground or chassis ground. Connector & terminal (E119) No. 3 (+) — Engine ground (-):	Is the voltage 0.2 — 0.5 V?	Replace the rear oxygen sensor. <Ref. to FU(H4SO)-37, Rear Oxygen Sensor.>	Repair harness and connector. NOTE: In this case, repair the following: • Open circuit in harness between rear oxygen sensor and ECM connector • Poor contact in rear oxygen sensor connector • Poor contact in ECM connector

Diagnostic Procedure with Diagnostic Trouble Code (DTC)

ENGINE (DIAGNOSTICS)

Step	Check	Yes	No
6 CHECK EXHAUST SYSTEM. Check exhaust system parts. NOTE: Check the following items. <ul style="list-style-type: none">• Loose installation of portions• Damage (crack, hole etc.) of parts• Looseness and ill fitting of parts between front oxygen (A/F) sensor and rear oxygen sensor	Is there a fault in exhaust system?	Repair or replace faulty parts.	Replace the rear oxygen sensor. <Ref. to FU(H4SO)-37, Rear Oxygen Sensor.>

Diagnostic Procedure with Diagnostic Trouble Code (DTC)

ENGINE (DIAGNOSTICS)

AH:DTC P0139 O₂ SENSOR CIRCUIT SLOW RESPONSE (BANK 1 SENSOR 2)

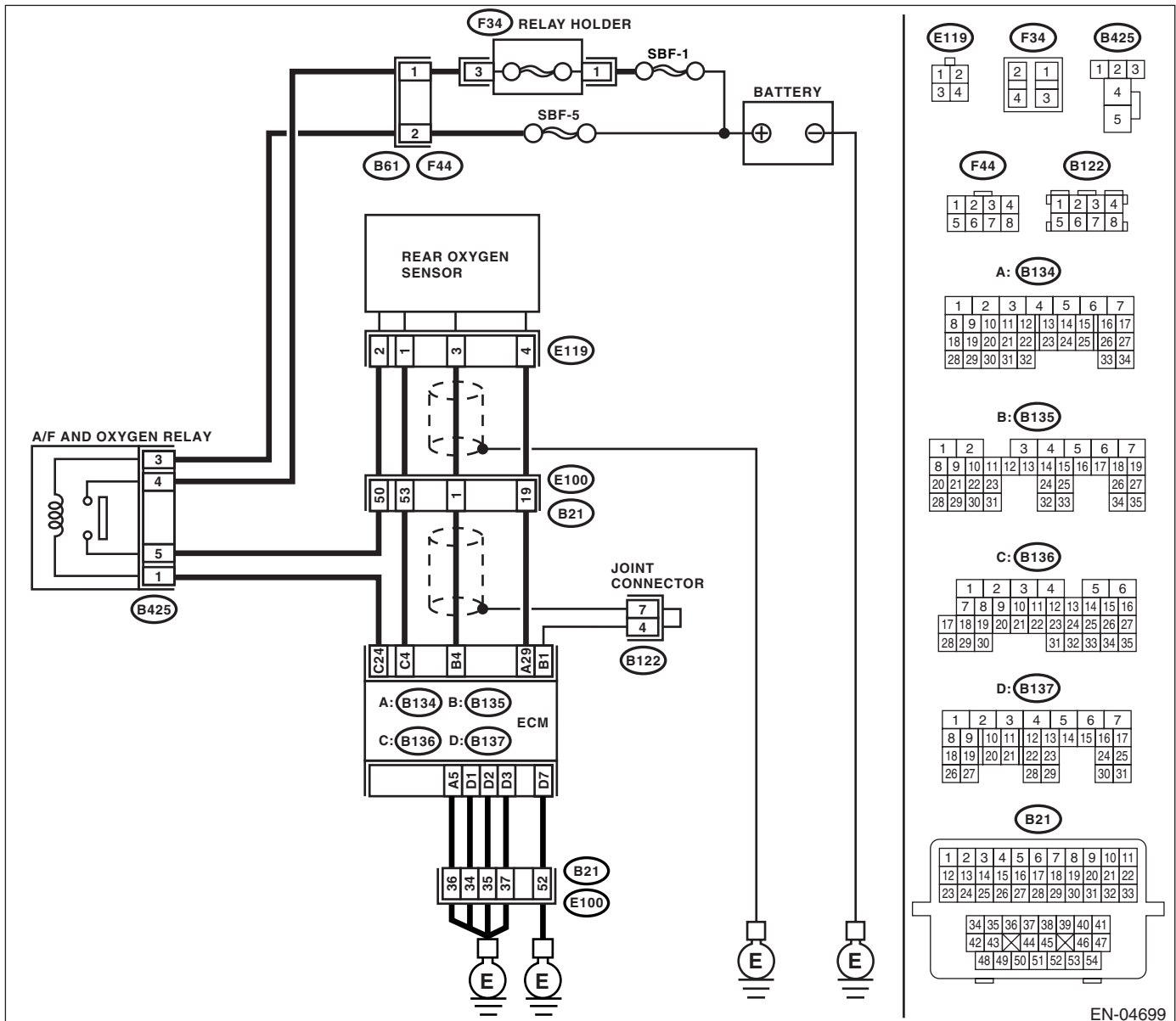
DTC DETECTING CONDITION:

- Two consecutive driving cycles with fault
- GENERAL DESCRIPTION <Ref. to GD(H4SO)-56, DTC P0139 O₂ SENSOR CIRCUIT SLOW RESPONSE (BANK 1 SENSOR 2), Diagnostic Trouble Code (DTC) Detecting Criteria.>

CAUTION:

After repair or replacement of faulty parts, conduct Clear Memory Mode <Ref. to EN(H4SO)(diag)-46, OPERATION, Clear Memory Mode.> and Inspection Mode <Ref. to EN(H4SO)(diag)-36, PROCEDURE, Inspection Mode.>.

WIRING DIAGRAM:



EN-04699

Diagnostic Procedure with Diagnostic Trouble Code (DTC)

ENGINE (DIAGNOSTICS)

Step	Check	Yes	No
1 CHECK ANY OTHER DTC ON DISPLAY.	Is any other DTC displayed?	Check DTC using "List of Diagnostic Trouble Code (DTC)". <Ref. to EN(H4SO)(diag)-73, List of Diagnostic Trouble Code (DTC).> NOTE: In this case, it is not necessary to inspect DTC P0139.	Go to step 2.
2 CHECK HARNESS BETWEEN ECM AND REAR OXYGEN SENSOR CONNECTOR. 1) Turn the ignition switch to OFF. 2) Disconnect the connectors from ECM and rear oxygen sensor. 3) Measure the resistance of harness between ECM and rear oxygen sensor connector. <i>Connector & terminal</i> <i>(B135) No. 4 — (E119) No. 3:</i>	Is the resistance less than 1 Ω ?	Go to step 3.	Repair open circuit in harness between rear oxygen sensor and ECM connectors.
3 CHECK HARNESS BETWEEN REAR OXYGEN SENSOR AND ECM CONNECTOR. Measure the resistance between rear oxygen sensor harness connector and chassis ground. <i>Connector & terminal</i> <i>(E119) No. 3 — Chassis ground:</i>	Is the resistance more than 1 M Ω ?	Go to step 4.	Repair short circuit ground in harness.
4 CHECK REAR OXYGEN SENSOR DATA. Measure the resistance between connector terminals of rear oxygen sensor. <i>terminals</i> <i>No. 3 — No. 4:</i>	Is the resistance less than 1 Ω ?	Replace the rear oxygen sensor. <Ref. to FU(H4SO)-37, Rear Oxygen Sensor.>	Temporary poor contact occurs. Check poor contact in connector.

Diagnostic Procedure with Diagnostic Trouble Code (DTC)

ENGINE (DIAGNOSTICS)

AI: DTC P0140 O₂ SENSOR CIRCUIT NO ACTIVITY DETECTED (BANK 1 SENSOR 2)

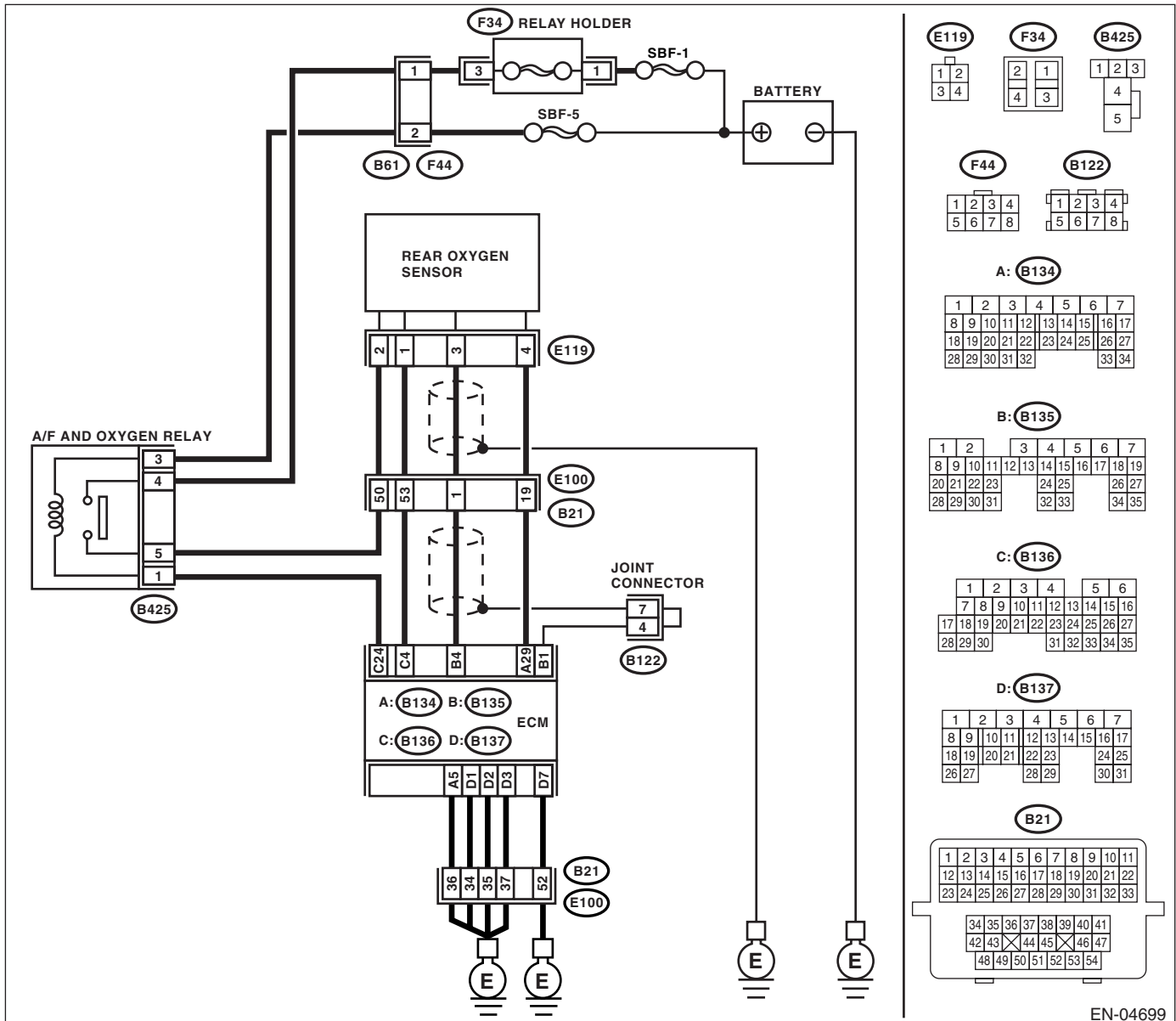
DTC DETECTING CONDITION:

- Two consecutive driving cycles with fault
- GENERAL DESCRIPTION <Ref. to GD(H4SO)-62, DTC P0140 O₂ SENSOR CIRCUIT NO ACTIVITY DETECTED (BANK1 SENSOR 2), Diagnostic Trouble Code (DTC) Detecting Criteria.>

CAUTION:

After repair or replacement of faulty parts, conduct Clear Memory Mode <Ref. to EN(H4SO)(diag)-46, OPERATION, Clear Memory Mode.> and Inspection Mode <Ref. to EN(H4SO)(diag)-36, PROCEDURE, Inspection Mode.>.

WIRING DIAGRAM:



EN-04699

Diagnostic Procedure with Diagnostic Trouble Code (DTC)

ENGINE (DIAGNOSTICS)

Step	Check	Yes	No
1 CHECK FOR ANY OTHER DTC ON DISPLAY.	Is any other DTC displayed?	Using the List of "Diagnostic Trouble Code (DTC)", check the appropriate DTC. <Ref. to EN(H4SO)(diag)-73, List of Diagnostic Trouble Code (DTC).> NOTE: In this case, it is not necessary to inspect DTC P0140.	Go to step 2.
2 CHECK REAR OXYGEN SENSOR DATA. 1) Warm-up the engine until engine coolant temperature is above 70°C (158°F), and keep the engine speed at 3,000 rpm. (2 minutes at the longest) 2) Read the data of rear oxygen sensor signal using Subaru Select Monitor or general scan tool. NOTE: • For MT model, depress the clutch pedal. • Subaru Select Monitor For detailed operation procedures, refer to the "READ CURRENT DATA FOR ENGINE". <Ref. to EN(H4SO)(diag)-28, Subaru Select Monitor.> • General scan tool For detailed operation procedure, refer to the General Scan Tool Instruction Manual.	Is the voltage more than 490 mV?	Go to step 7.	Go to step 3.
3 CHECK REAR OXYGEN SENSOR DATA. 1) Warm-up the engine until engine coolant temperature is above 70°C (158°F), and immediately decrease the engine speed at 3,000 rpm. 2) Read the data of rear oxygen sensor signal using Subaru Select Monitor or general scan tool. NOTE: • For MT model, depress the clutch pedal. • Subaru Select Monitor For detailed operation procedures, refer to the "READ CURRENT DATA FOR ENGINE". <Ref. to EN(H4SO)(diag)-28, Subaru Select Monitor.> • General scan tool For detailed operation procedure, refer to the General Scan Tool Instruction Manual.	Is the voltage less than 250 mV?	Go to step 7.	Go to step 4.
4 CHECK REAR OXYGEN SENSOR CONNECTOR AND COUPLING CONNECTOR.	Is there water in connector?	Remove infiltrating water completely.	Go to step 5.

Diagnostic Procedure with Diagnostic Trouble Code (DTC)

ENGINE (DIAGNOSTICS)

Step	Check	Yes	No
<p>5</p> <p>CHECK HARNESS BETWEEN ECM AND REAR OXYGEN SENSOR CONNECTOR.</p> <p>1) Turn the ignition switch to OFF.</p> <p>2) Disconnect the connectors from ECM and rear oxygen sensor.</p> <p>3) Measure the resistance of harness between ECM and rear oxygen sensor connector.</p> <p>Connector & terminal (B135) No. 4 — (E119) No. 3: (B134) No. 29 — (E119) No. 4:</p>	<p>Is the resistance more than 3 Ω?</p>	<p>Repair the open circuit in harness between ECM and rear oxygen sensor connector.</p>	<p>Go to step 6.</p>
<p>6</p> <p>CHECK HARNESS BETWEEN REAR OXYGEN SENSOR AND ECM CONNECTOR.</p> <p>1) Turn the ignition switch to OFF.</p> <p>2) Disconnect the connector from rear oxygen sensor.</p> <p>3) Turn the ignition switch to ON.</p> <p>4) Measure the voltage between rear oxygen sensor connector and chassis ground.</p> <p>Connector & terminal (E119) No. 3 (+) — Chassis ground (-):</p>	<p>Is the voltage 0.2 — 0.5 V?</p>	<p>Replace the rear oxygen sensor. <Ref. to FU(H4SO)-37, Rear Oxygen Sensor.></p>	<p>Repair harness and connector.</p> <p>NOTE: In this case, repair the following:</p> <ul style="list-style-type: none"> • Open circuit in harness between rear oxygen sensor and ECM connector • Poor contact in rear oxygen sensor connector • Poor contact in ECM connector
<p>7</p> <p>CHECK EXHAUST SYSTEM.</p> <p>Check the exhaust system parts.</p> <p>NOTE: In this case, repair the following:</p> <ul style="list-style-type: none"> • Looseness and incomplete installation of exhaust system parts • Damage (crack, hole etc.) of parts • Looseness and incomplete installation of parts between front oxygen (A/F) sensor and rear oxygen sensor 	<p>Is there any fault in exhaust system?</p>	<p>Repair or replace faulty parts.</p>	<p>Replace the rear oxygen sensor. <Ref. to FU(H4SO)-37, Rear Oxygen Sensor.></p>

AJ:DTC P0171 SYSTEM TOO LEAN (BANK 1)

Refer to DTC P0172 for diagnostic procedure. <Ref. to EN(H4SO)(diag)-160, DTC P0172 SYSTEM TOO RICH (BANK 1), Diagnostic Procedure with Diagnostic Trouble Code (DTC).>

Diagnostic Procedure with Diagnostic Trouble Code (DTC)

ENGINE (DIAGNOSTICS)

AK:DTC P0172 SYSTEM TOO RICH (BANK 1)

DTC DETECTING CONDITION:

- Two consecutive driving cycles with fault
- GENERAL DESCRIPTION <Ref. to GD(H4SO)-65, DTC P0172 SYSTEM TOO RICH (BANK 1), Diagnostic Trouble Code (DTC) Detecting Criteria.>

TROUBLE SYMPTOM:

- Erroneous idling
- Engine stalls.
- Poor driving performance

CAUTION:

After repair or replacement of faulty parts, conduct Clear Memory Mode <Ref. to EN(H4SO)(diag)-46, OPERATION, Clear Memory Mode.> and Inspection Mode <Ref. to EN(H4SO)(diag)-36, PROCEDURE, Inspection Mode.>.

Step	Check	Yes	No
1 CHECK EXHAUST SYSTEM.	Are there holes or loose bolts on exhaust system?	Repair exhaust system.	Go to step 2.
2 CHECK AIR INTAKE SYSTEM.	Are there holes, loose bolts or disconnection of hose on air intake system?	Repair air intake system.	Go to step 3.
3 CHECK FUEL PRESSURE. Warning: • Place “NO FIRE” signs near the working area. • Be careful not to spill fuel on the floor. Measure the fuel pressure. <Ref. to ME(H4SO)-29, INSPECTION, Fuel Pressure.> Warning: Before removing the fuel pressure gauge, release fuel pressure. NOTE: If fuel pressure does not increase, squeeze fuel return hose 2 to 3 times, then measure fuel pressure again.	Is the fuel pressure 339.5 — 360.5 kPa (3.5 — 3.7 kgf/cm ² , 49 — 52 psi)?	Go to step 4.	Repair the following items. Fuel pressure too high: • Clogged fuel return line or bent hose Fuel pressure too low: • Improper fuel pump discharge • Clogged fuel supply line
4 CHECK ENGINE COOLANT TEMPERATURE SENSOR. 1) Start the engine and warm-up completely. 2) Read the data of engine coolant temperature sensor signal using Subaru Select Monitor or general scan tool. NOTE: • Subaru Select Monitor For detailed operation procedure, refer to the “READ CURRENT DATA FOR ENGINE”. <Ref. to EN(H4SO)(diag)-28, Subaru Select Monitor.> • General scan tool For detailed operation procedures, refer to the general scan tool instruction manual.	Is the engine coolant temperature more than 60°C (140°F)?	Go to step 5.	Replace the engine coolant temperature sensor. <Ref. to FU(H4SO)-22, Engine Coolant Temperature Sensor.>

Diagnostic Procedure with Diagnostic Trouble Code (DTC)

ENGINE (DIAGNOSTICS)

Step	Check	Yes	No
<p>5</p> <p>CHECK MASS AIR FLOW AND INTAKE AIR TEMPERATURE SENSOR SIGNAL.</p> <p>1) Start the engine and warm-up engine until coolant temperature is greater than 60°C (140°F).</p> <p>2) Place the select lever or shift lever in “N” or “P” range.</p> <p>3) Turn the A/C switch to OFF.</p> <p>4) Turn all accessory switches to OFF.</p> <p>5) Read the data of mass air flow and intake air temperature sensor signal using Subaru Select Monitor or general scan tool.</p> <p>NOTE:</p> <ul style="list-style-type: none"> • Subaru Select Monitor <p>For detailed operation procedure, refer to the “READ CURRENT DATA FOR ENGINE”. <Ref. to EN(H4SO)(diag)-28, Subaru Select Monitor.></p> <ul style="list-style-type: none"> • General scan tool <p>For detailed operation procedures, refer to the general scan tool instruction manual.</p>	<p>Is the measured value 2.1 — 3.4 g/s (0.28 — 0.45 lb/m)?</p>	<p>Go to step 6.</p>	<p>Replace the mass air flow and intake air temperature sensor. <Ref. to FU(H4SO)-28, Mass Air Flow and Intake Air Temperature Sensor.></p>
<p>6</p> <p>CHECK MASS AIR FLOW AND INTAKE AIR TEMPERATURE SENSOR.</p> <p>1) Start the engine and warm-up engine until coolant temperature is greater than 60°C (140°F).</p> <p>2) Place the select lever or shift lever in neutral position.</p> <p>3) Turn the A/C switch to OFF.</p> <p>4) Turn all accessory switches to OFF.</p> <p>5) Open the front hood.</p> <p>6) Measure the ambient temperature.</p> <p>7) Read the data of mass air flow and intake air temperature sensor signal using Subaru Select Monitor or general scan tool.</p> <p>NOTE:</p> <ul style="list-style-type: none"> • Subaru Select Monitor <p>For detailed operation procedure, refer to the “READ CURRENT DATA FOR ENGINE”. <Ref. to EN(H4SO)(diag)-28, Subaru Select Monitor.></p> <ul style="list-style-type: none"> • General scan tool <p>For detailed operation procedure, refer to the general scan tool instruction manual.</p>	<p>Subtract ambient temperature from intake air temperature. Is the obtained value -10 — 50°C (-18 — 90°F)?</p>	<p>Contact your SOA Service Center since deterioration of some parts may be the cause.</p>	<p>Check the mass air flow and intake air temperature sensor. <Ref. to FU(H4SO)-28, Mass Air Flow and Intake Air Temperature Sensor.></p>

Diagnostic Procedure with Diagnostic Trouble Code (DTC)

ENGINE (DIAGNOSTICS)

AL:DTC P0181 FUEL TEMPERATURE SENSOR "A" CIRCUIT RANGE/PERFORMANCE

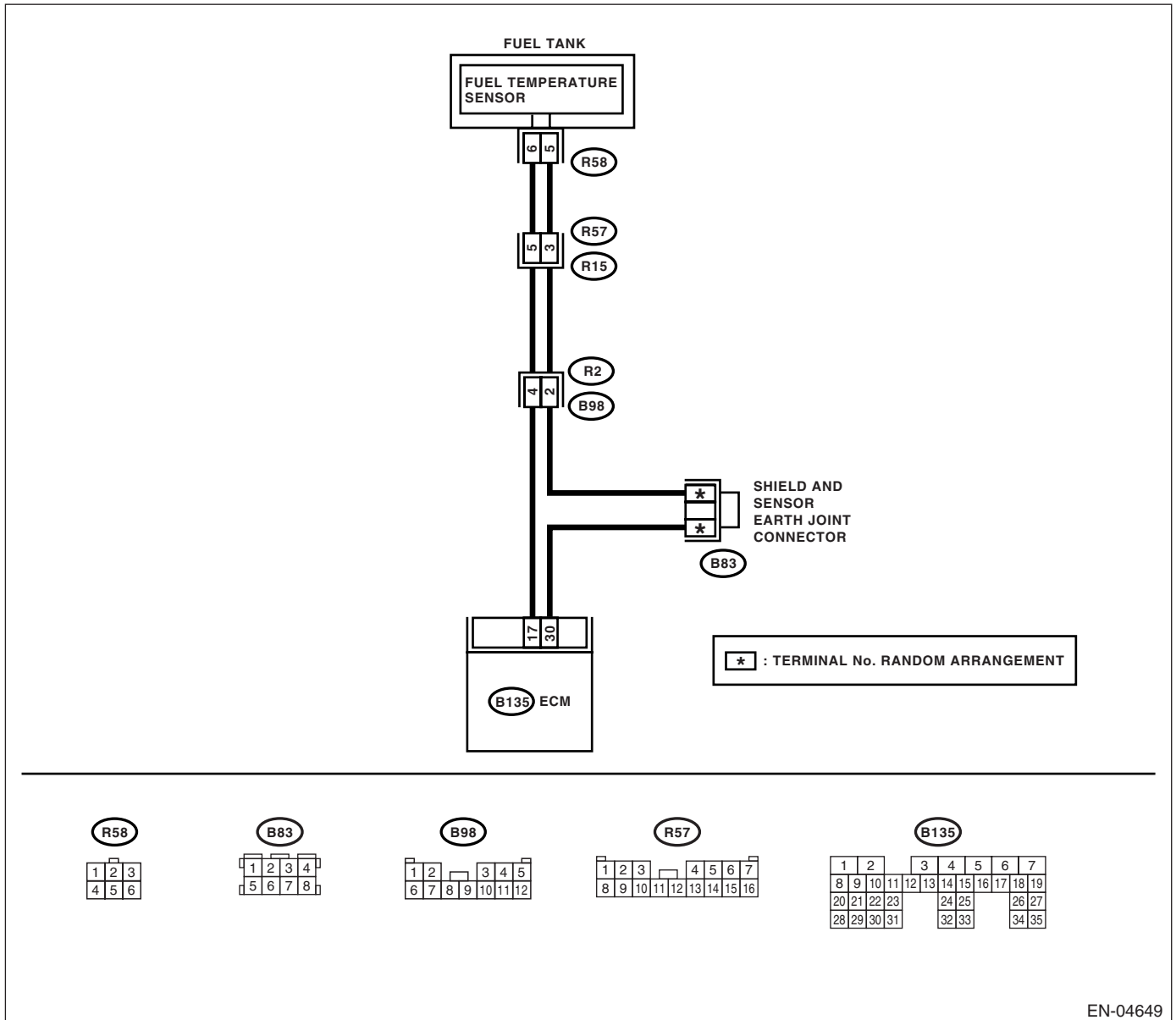
DTC DETECTING CONDITION:

- Fault occurs in two consecutive driving cycles
- GENERAL DESCRIPTION <Ref. to GD(H4SO)-67, DTC P0181 FUEL TEMPERATURE SENSOR "A" CIRCUIT RANGE/PERFORMANCE, Diagnostic Trouble Code (DTC) Detecting Criteria.>

CAUTION:

After repair or replacement of faulty parts, conduct Clear Memory Mode <Ref. to EN(H4SO)(diag)-46, OPERATION, Clear Memory Mode.> and Inspection Mode <Ref. to EN(H4SO)(diag)-36, PROCEDURE, Inspection Mode.>.

WIRING DIAGRAM:



EN-04649

Diagnostic Procedure with Diagnostic Trouble Code (DTC)

ENGINE (DIAGNOSTICS)

Step	Check	Yes	No
1 CHECK ANY OTHER DTC ON DISPLAY.	Is any other DTC displayed?	Inspect DTC using "List of Diagnostic Trouble Code (DTC)". <Ref. to EN(H4SO)(diag)-73, List of Diagnostic Trouble Code (DTC).> NOTE: In this case, it is not necessary to inspect DTC P0181.	Replace the fuel temperature sensor. <Ref. to EC(H4SO)-9, Fuel Temperature Sensor.>

Diagnostic Procedure with Diagnostic Trouble Code (DTC)

ENGINE (DIAGNOSTICS)

AM:DTC P0182 FUEL TEMPERATURE SENSOR "A" CIRCUIT LOW INPUT

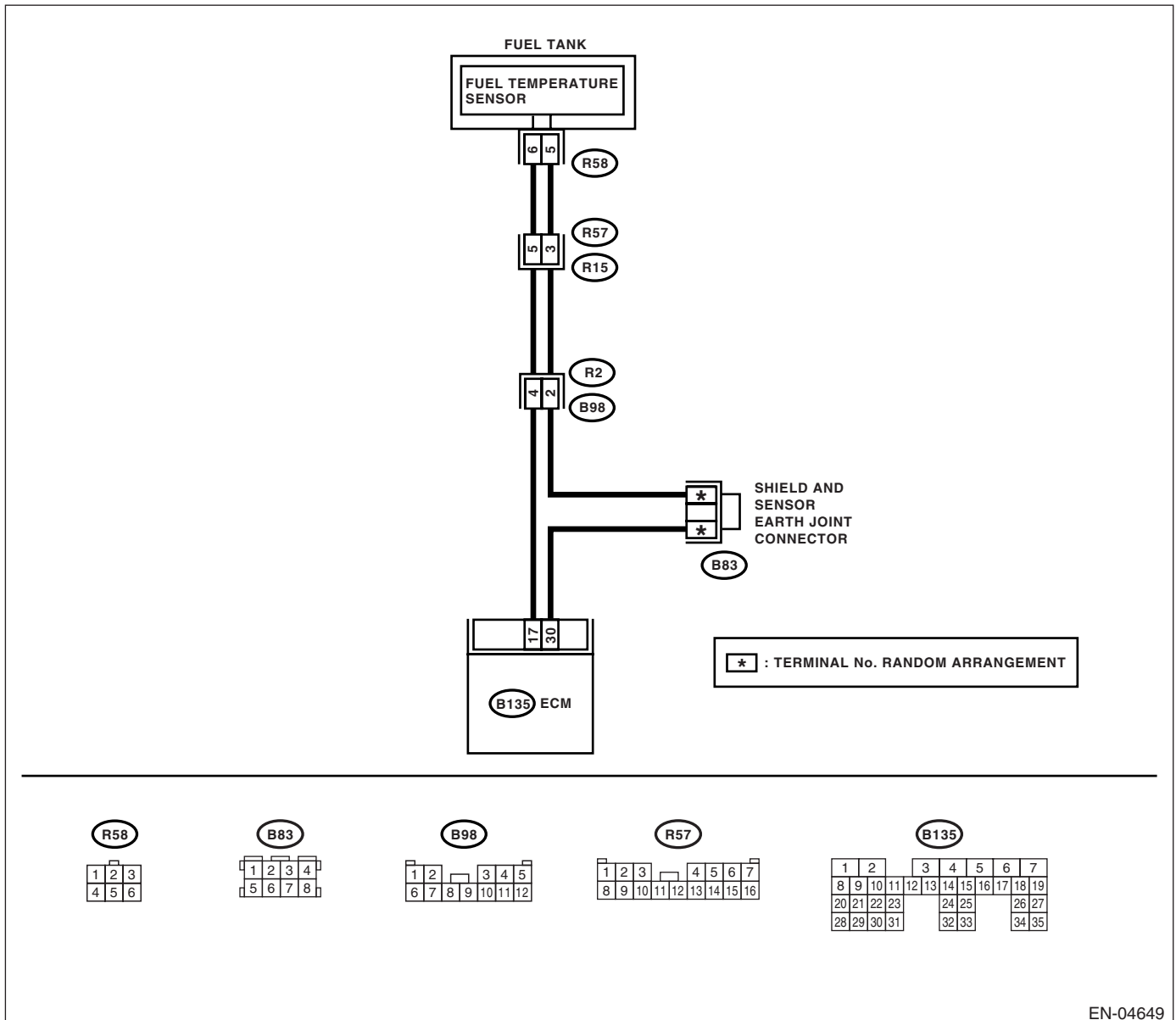
DTC DETECTING CONDITION:

- Immediately at fault recognition
- GENERAL DESCRIPTION <Ref. to GD(H4SO)-70, DTC P0182 FUEL TEMPERATURE SENSOR "A" CIRCUIT LOW INPUT, Diagnostic Trouble Code (DTC) Detecting Criteria.>

CAUTION:

After repair or replacement of faulty parts, conduct Clear Memory Mode <Ref. to EN(H4SO)(diag)-46, OPERATION, Clear Memory Mode.> and Inspection Mode <Ref. to EN(H4SO)(diag)-36, PROCEDURE, Inspection Mode.>.

WIRING DIAGRAM:



EN-04649

Diagnostic Procedure with Diagnostic Trouble Code (DTC)

ENGINE (DIAGNOSTICS)

Step	Check	Yes	No
<p>1</p> <p>CHECK CURRENT DATA.</p> <p>1) Start the engine.</p> <p>2) Read the data of fuel temperature sensor signal using Subaru Select Monitor or general scan tool.</p> <p>NOTE:</p> <ul style="list-style-type: none"> • Subaru Select Monitor <p>For detailed operation procedures, refer to "READ CURRENT DATA FOR ENGINE". <Ref. to EN(H4SO)(diag)-28, Subaru Select Monitor.></p> <ul style="list-style-type: none"> • General scan tool <p>For detailed operation procedures, refer to the General Scan Tool Instruction Manual.</p>	<p>Is the fuel temperature 150°C (302°F)?</p>	<p>Go to step 2.</p>	<p>The malfunction indicator light may light up, however, the circuit is returned to the normal status at the moment.</p>
<p>2</p> <p>CHECK CURRENT DATA.</p> <p>1) Turn ignition switch to OFF.</p> <p>2) Remove the access hole lid.</p> <p>3) Disconnect the connector from fuel pump.</p> <p>4) Turn ignition switch to ON.</p> <p>5) Read the data of fuel temperature sensor signal using Subaru Select Monitor or general scan tool.</p> <p>NOTE:</p> <ul style="list-style-type: none"> • Subaru Select Monitor <p>For detailed operation procedures, refer to "READ CURRENT DATA FOR ENGINE". <Ref. to EN(H4SO)(diag)-28, Subaru Select Monitor.></p> <ul style="list-style-type: none"> • General scan tool <p>For detailed operation procedures, refer to the General Scan Tool Instruction Manual.</p>	<p>Is the fuel temperature -40°C (-40°F)?</p>	<p>Replace the fuel temperature sensor. <Ref. to EC(H4SO)-9, Fuel Temperature Sensor.></p>	<p>Repair short circuit to ground in harness between fuel pump and ECM connector.</p>

Diagnostic Procedure with Diagnostic Trouble Code (DTC)

ENGINE (DIAGNOSTICS)

AN:DTC P0183 FUEL TEMPERATURE SENSOR "A" CIRCUIT HIGH INPUT

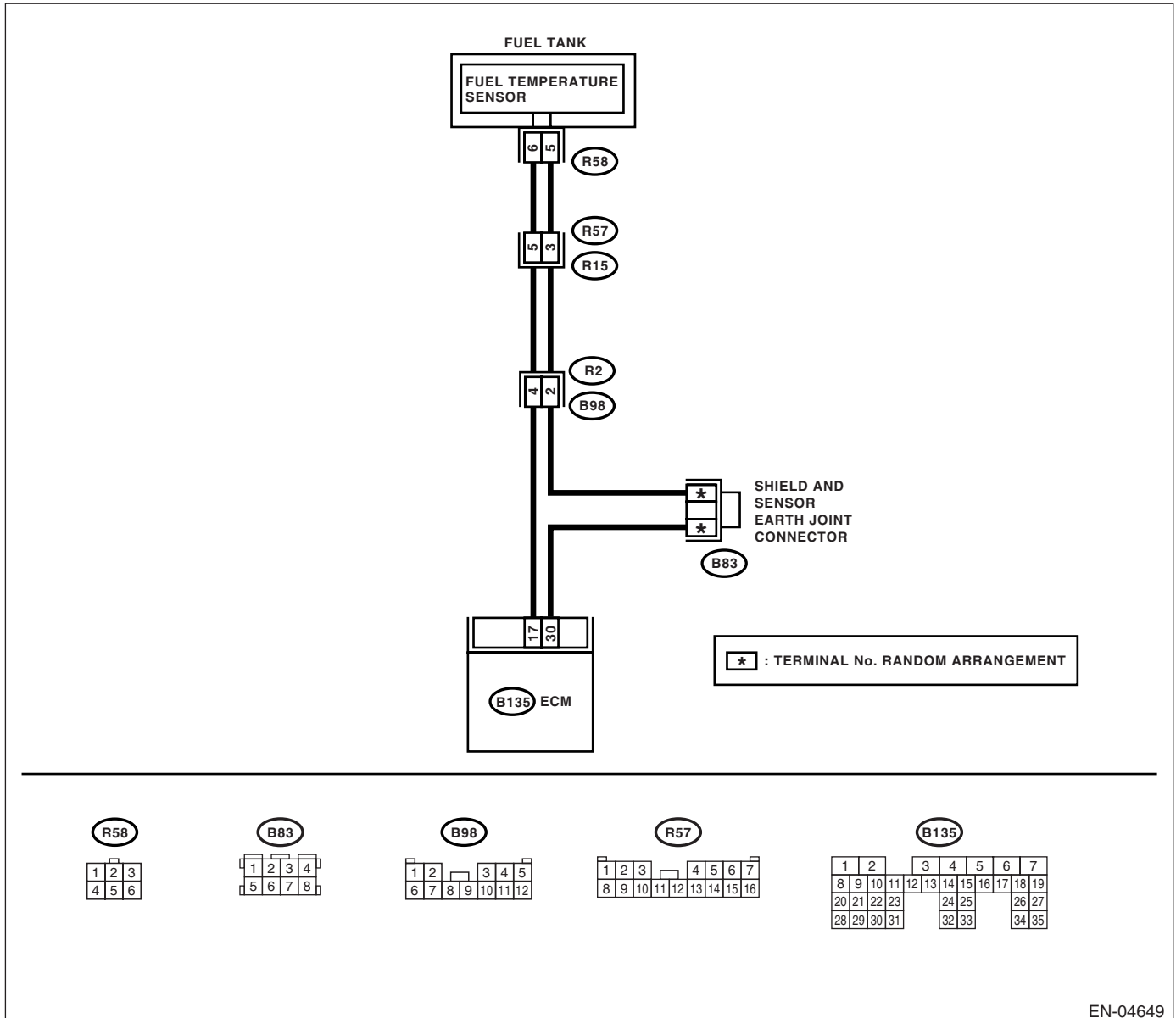
DTC DETECTING CONDITION:

- Immediately at fault recognition
- GENERAL DESCRIPTION <Ref. to GD(H4SO)-71, DTC P0183 FUEL TEMPERATURE SENSOR "A" CIRCUIT HIGH INPUT, Diagnostic Trouble Code (DTC) Detecting Criteria.>

CAUTION:

After repair or replacement of faulty parts, conduct Clear Memory Mode <Ref. to EN(H4SO)(diag)-46, OPERATION, Clear Memory Mode.> and Inspection Mode <Ref. to EN(H4SO)(diag)-36, PROCEDURE, Inspection Mode.>.

WIRING DIAGRAM:



EN-04649

Diagnostic Procedure with Diagnostic Trouble Code (DTC)

ENGINE (DIAGNOSTICS)

Step	Check	Yes	No
<p>1</p> <p>CHECK CURRENT DATA.</p> <p>1) Start the engine.</p> <p>2) Read the data of fuel temperature sensor signal using Subaru Select Monitor or general scan tool.</p> <p>NOTE:</p> <ul style="list-style-type: none"> • Subaru Select Monitor <p>For detailed operation procedures, refer to "READ CURRENT DATA FOR ENGINE". <Ref. to EN(H4SO)(diag)-28, Subaru Select Monitor.></p> <ul style="list-style-type: none"> • General scan tool <p>For detailed operation procedures, refer to the General Scan Tool Instruction Manual.</p>	<p>Is the fuel temperature -40°C (-40°F)?</p>	<p>Go to step 2.</p>	<p>Repair poor contact.</p> <p>NOTE:</p> <p>In this case, repair the following:</p> <ul style="list-style-type: none"> • Poor contact in fuel pump connector • Poor contact in ECM connector • Poor contact in coupling connector • Poor contact in joint connector
<p>2</p> <p>CHECK HARNESS BETWEEN FUEL TEMPERATURE SENSOR AND ECM CONNECTOR.</p> <p>1) Turn ignition switch to OFF.</p> <p>2) Remove the access hole lid.</p> <p>3) Disconnect the connector from fuel pump.</p> <p>4) Measure the voltage between fuel pump connector and chassis ground.</p> <p>Connector & terminal (R58) No. 6 (+) — Chassis ground (-):</p>	<p>Is the voltage more than 10 V?</p>	<p>Repair short circuit to battery in harness between ECM and fuel pump connector.</p>	<p>Go to step 3.</p>
<p>3</p> <p>CHECK HARNESS BETWEEN FUEL TEMPERATURE SENSOR AND ECM CONNECTOR.</p> <p>1) Turn ignition switch to ON.</p> <p>2) Measure the voltage between fuel pump connector and chassis ground.</p> <p>Connector & terminal (R58) No. 6 (+) — Chassis ground (-):</p>	<p>Is the voltage more than 10 V?</p>	<p>Repair short circuit to battery in harness between ECM and fuel pump connector.</p>	<p>Go to step 4.</p>
<p>4</p> <p>CHECK HARNESS BETWEEN FUEL TEMPERATURE SENSOR AND ECM CONNECTOR.</p> <p>Measure the voltage between fuel pump connector and chassis ground.</p> <p>Connector & terminal (R58) No. 6 (+) — Chassis ground (-):</p>	<p>Is the voltage more than 4 V?</p>	<p>Go to step 5.</p>	<p>Repair harness and connector.</p> <p>NOTE:</p> <p>In this case, repair the following:</p> <ul style="list-style-type: none"> • Open circuit in harness between ECM and fuel pump connector • Poor contact in fuel pump connector • Poor contact in ECM connector • Poor contact in coupling connector

Diagnostic Procedure with Diagnostic Trouble Code (DTC)

ENGINE (DIAGNOSTICS)

Step	Check	Yes	No
<p>5</p> <p>CHECK HARNESS BETWEEN FUEL TEMPERATURE SENSOR AND ECM CONNECTOR.</p> <p>1) Turn ignition switch to OFF. 2) Disconnect the connector from ECM. 3) Measure the resistance of harness between fuel pump connector and ECM.</p> <p>Connector & terminal (R58) No. 5 — (B135) No. 30:</p>	<p>Is the resistance less than 1 Ω?</p>	<p>Replace the fuel temperature sensor. <Ref. to EC(H4SO)-9, Fuel Temperature Sensor.></p>	<p>Repair harness and connector.</p> <p>NOTE: In this case, repair the following:</p> <ul style="list-style-type: none"> • Open circuit in harness between ECM and fuel pump connector • Poor contact in fuel pump connector • Poor contact in ECM connector • Poor contact in coupling connector • Poor contact in joint connector

Diagnostic Procedure with Diagnostic Trouble Code (DTC)

ENGINE (DIAGNOSTICS)

AO:DTC P0196 ENGINE OIL TEMPERATURE SENSOR CIRCUIT RANGE/PERFORMANCE

DTC DETECTING CONDITION:

- Two consecutive driving cycles with fault
- GENERAL DESCRIPTION <Ref. to GD(H4SO)-73, DTC P0196 ENGINE OIL TEMPERATURE SENSOR CIRCUIT RANGE/PERFORMANCE, Diagnostic Trouble Code (DTC) Detecting Criteria.>

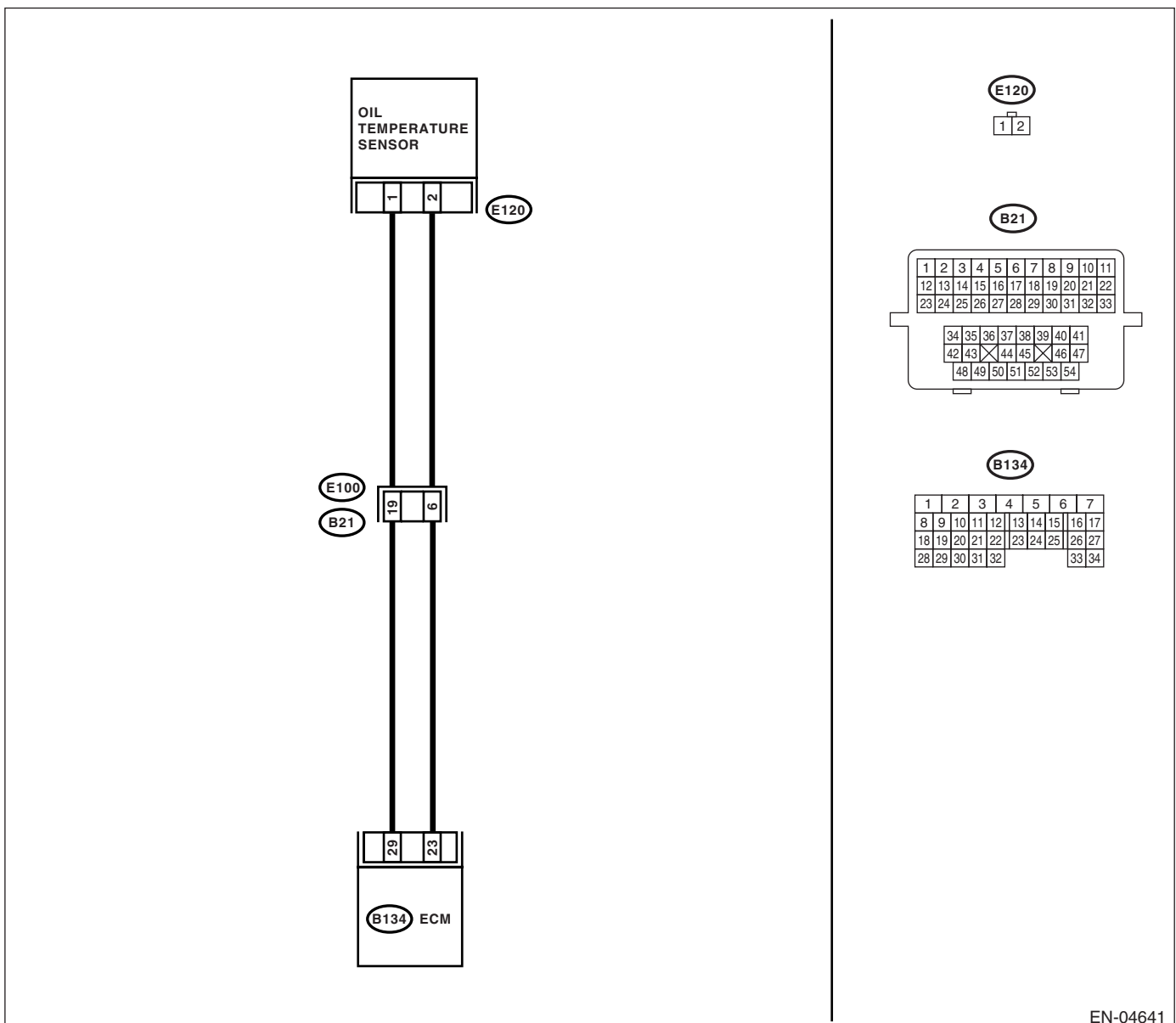
TROUBLE SYMPTOM:

- Hard to start
- Erroneous idling
- Poor driving performance

CAUTION:

After repair or replacement of faulty parts, conduct Clear Memory Mode <Ref. to EN(H4SO)(diag)-46, OPERATION, Clear Memory Mode.> and Inspection Mode <Ref. to EN(H4SO)(diag)-36, PROCEDURE, Inspection Mode.>.

WIRING DIAGRAM:



EN-04641

Diagnostic Procedure with Diagnostic Trouble Code (DTC)

ENGINE (DIAGNOSTICS)

Step	Check	Yes	No
1 CHECK FOR ANY OTHER DTC ON DISPLAY.	Is any other DTC displayed?	Using the List of "Diagnostic Trouble Code (DTC)", check the appropriate DTC. <Ref. to EN(H4SO)(diag)-73, List of Diagnostic Trouble Code (DTC).> NOTE: In this case, it is not necessary to inspect DTC P0196.	Replace the oil temperature sensor. <Ref. to FU(H4SO)-35, Oil Temperature Sensor.>

Diagnostic Procedure with Diagnostic Trouble Code (DTC)

ENGINE (DIAGNOSTICS)

AP:DTC P0197 ENGINE OIL TEMPERATURE SENSOR LOW

DTC DETECTING CONDITION:

- Immediately at fault recognition
- GENERAL DESCRIPTION <Ref. to GD(H4SO)-74, DTC P0197 ENGINE OIL TEMPERATURE SENSOR CIRCUIT LOW, Diagnostic Trouble Code (DTC) Detecting Criteria.>

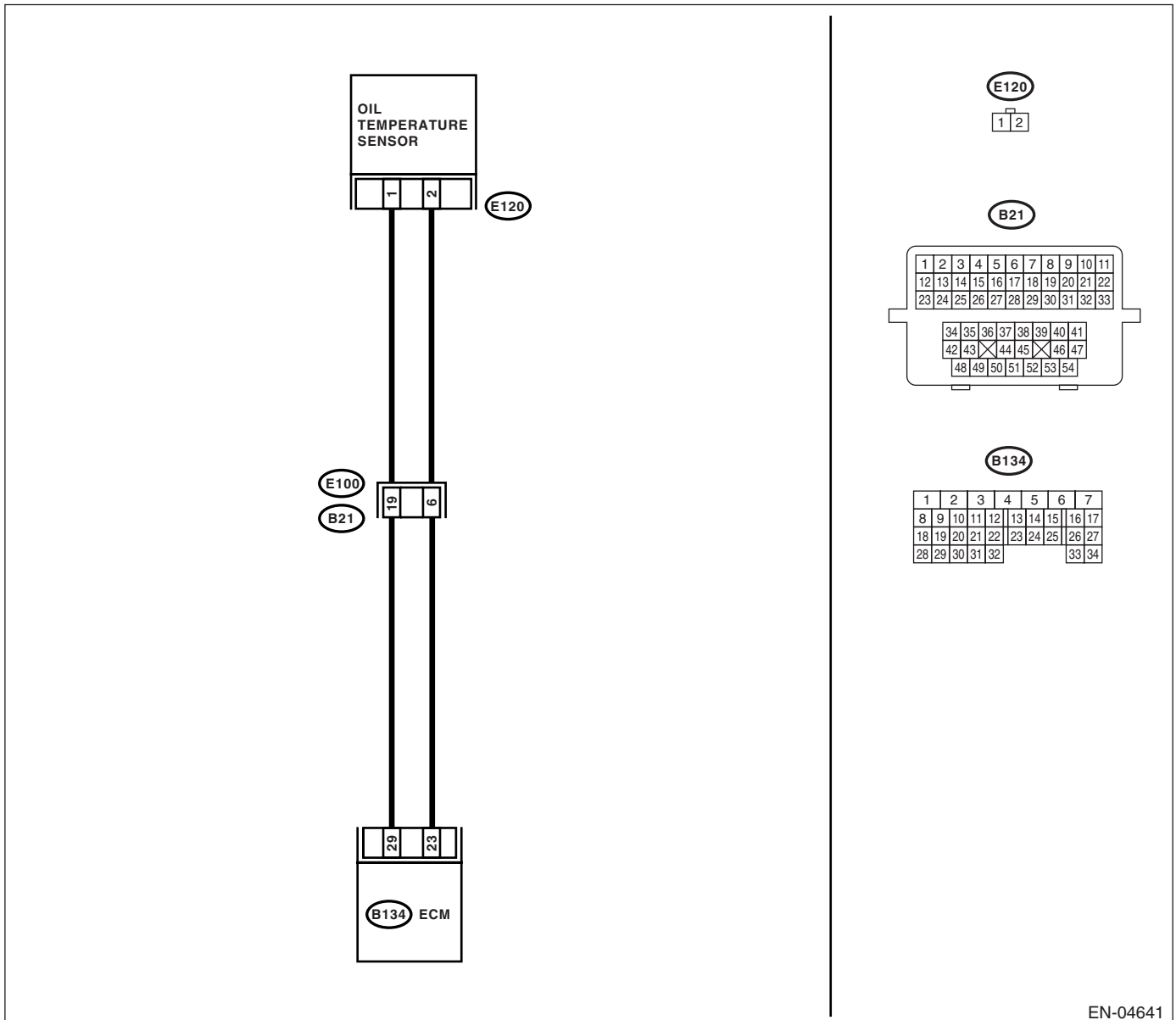
TROUBLE SYMPTOM:

- Hard to start
- Erroneous idling
- Poor driving performance

CAUTION:

After repair or replacement of faulty parts, conduct Clear Memory Mode <Ref. to EN(H4SO)(diag)-46, OPERATION, Clear Memory Mode.> and Inspection Mode <Ref. to EN(H4SO)(diag)-36, PROCEDURE, Inspection Mode.>.

WIRING DIAGRAM:



EN-04641

Diagnostic Procedure with Diagnostic Trouble Code (DTC)

ENGINE (DIAGNOSTICS)

Step	Check	Yes	No
1 CHECK HARNESS BETWEEN OIL TEMPERATURE SENSOR AND ECM CONNECTOR. 1) Disconnect the ECM connector and oil temperature sensor connector. 2) Measure the resistance of harness between oil temperature sensor connector and engine ground. Connector & terminal (B134) No. 23 — Engine ground: (B134) No. 29 — Engine ground:	Is the resistance more than 1 M Ω ?	Go to step 2.	Repair the ground short circuit between ECM and oil temperature sensor connector.
2 CHECK POOR CONTACT. Check poor contact in oil temperature sensor connector.	Is there poor contact in oil temperature sensor connector?	Repair the poor contact.	Replace the oil temperature sensor. <Ref. to FU(H4SO)-35, Oil Temperature Sensor.>

Diagnostic Procedure with Diagnostic Trouble Code (DTC)

ENGINE (DIAGNOSTICS)

AQ:DTC P0198 ENGINE OIL TEMPERATURE SENSOR HIGH

DTC DETECTING CONDITION:

- Immediately at fault recognition
- GENERAL DESCRIPTION <Ref. to GD(H4SO)-75, DTC P0198 ENGINE OIL TEMPERATURE SENSOR CIRCUIT HIGH, Diagnostic Trouble Code (DTC) Detecting Criteria.>

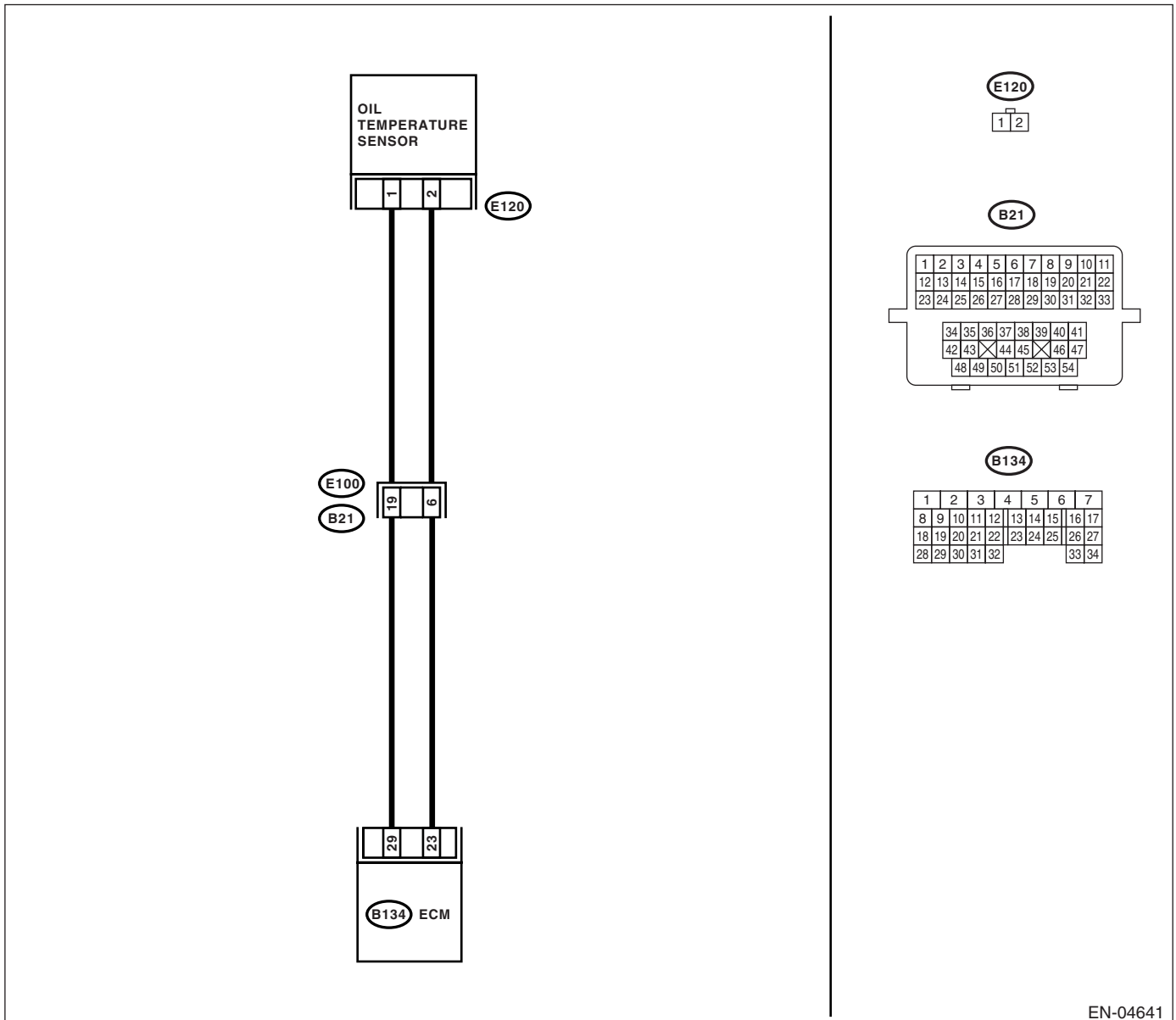
TROUBLE SYMPTOM:

- Hard to start
- Erroneous idling
- Poor driving performance

CAUTION:

After repair or replacement of faulty parts, conduct Clear Memory Mode <Ref. to EN(H4SO)(diag)-46, OPERATION, Clear Memory Mode.> and Inspection Mode <Ref. to EN(H4SO)(diag)-36, PROCEDURE, Inspection Mode.>.

WIRING DIAGRAM:



EN-04641

Diagnostic Procedure with Diagnostic Trouble Code (DTC)

ENGINE (DIAGNOSTICS)

Step	Check	Yes	No
<p>1</p> <p>CHECK HARNESS BETWEEN OIL TEMPERATURE SENSOR AND ECM CONNECTOR.</p> <p>1) Turn the ignition switch to OFF. 2) Disconnect the connector from oil temperature sensor. 3) Measure the voltage between oil temperature sensor connector and engine ground.</p> <p>Connector & terminal (E120) No. 2 (+) — Engine ground (-):</p>	Is the voltage more than 10 V?	Repair the battery short circuit in harness between ECM and oil temperature sensor connector.	Go to step 2.
<p>2</p> <p>CHECK HARNESS BETWEEN OIL TEMPERATURE SENSOR AND ECM CONNECTOR.</p> <p>1) Turn the ignition switch to ON. 2) Measure the voltage between oil temperature sensor connector and engine ground.</p> <p>Connector & terminal (E120) No. 2 (+) — Engine ground (-):</p>	Is the voltage more than 10 V?	Repair the battery short circuit in harness between ECM and oil temperature sensor connector.	Go to step 3.
<p>3</p> <p>CHECK HARNESS BETWEEN OIL TEMPERATURE SENSOR AND ECM CONNECTOR.</p> <p>Measure the voltage between oil temperature sensor connector and engine ground.</p> <p>Connector & terminal (E120) No. 2 (+) — Engine ground (-):</p>	Is the voltage more than 4 V?	Go to step 4.	<p>Repair harness and connector.</p> <p>NOTE: In this case, repair the following:</p> <ul style="list-style-type: none"> • Open circuit in harness between ECM and oil temperature sensor connector • Poor contact in oil temperature sensor connector • Poor contact in ECM connector • Poor contact in coupling connectors
<p>4</p> <p>CHECK HARNESS BETWEEN OIL TEMPERATURE SENSOR AND ECM CONNECTOR.</p> <p>1) Turn the ignition switch to OFF. 2) Measure the voltage between oil temperature sensor connector and engine ground.</p> <p>Connector & terminal (E120) No. 1 — Engine ground:</p>	Is the resistance less than 5 Ω ?	Replace the oil temperature sensor. <Ref. to FU(H4SO)-35, Oil Temperature Sensor.>	<p>Repair harness and connector.</p> <p>NOTE: In this case, repair the following:</p> <ul style="list-style-type: none"> • Open circuit in harness between ECM and oil temperature sensor connector • Poor contact in oil temperature sensor connector • Poor contact in ECM connector • Poor contact in coupling connectors • Poor contact in joint connector

AR:DTC P0222 THROTTLE/PEDAL POSITION SENSOR/SWITCH “B” CIRCUIT LOW INPUT

DTC DETECTING CONDITION:

- Immediately at fault recognition
- GENERAL DESCRIPTION <Ref. to GD(H4SO)-76, DTC P0222 THROTTLE/PEDAL POSITION SENSOR/SWITCH “B” CIRCUIT LOW INPUT, Diagnostic Trouble Code (DTC) Detecting Criteria.>

TROUBLE SYMPTOM:

- Erroneous idling
- Poor driving performance
- Engine stalls.

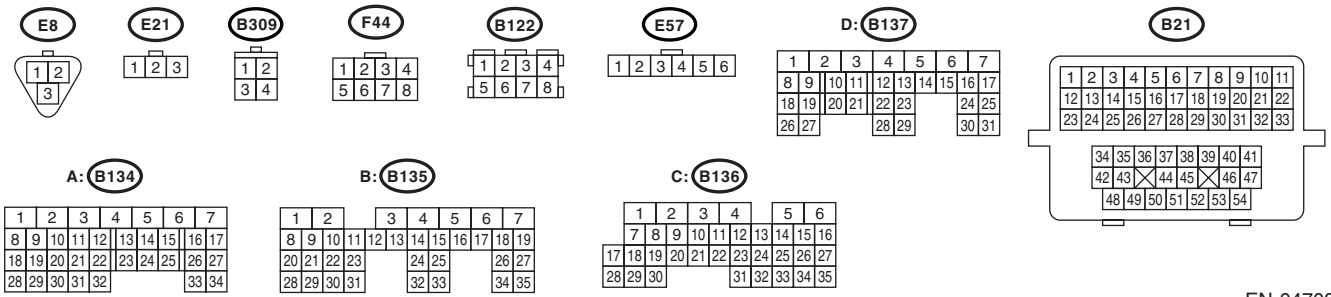
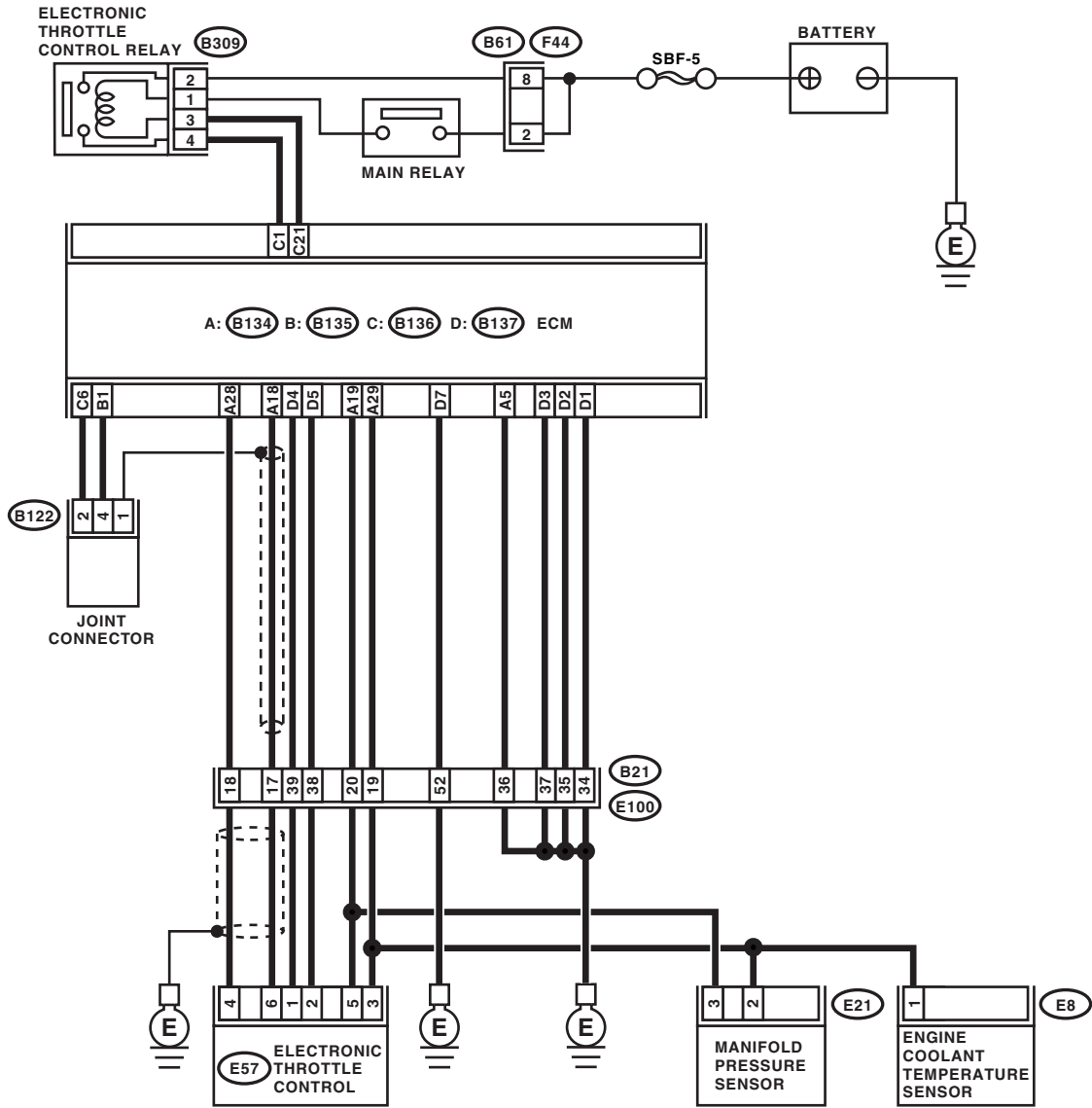
CAUTION:

After repair or replacement of faulty parts, conduct Clear Memory Mode <Ref. to EN(H4SO)(diag)-46, OPERATION, Clear Memory Mode.> and Inspection Mode <Ref. to EN(H4SO)(diag)-36, PROCEDURE, Inspection Mode.>.

Diagnostic Procedure with Diagnostic Trouble Code (DTC)

ENGINE (DIAGNOSTICS)

WIRING DIAGRAM:



EN-04700

Diagnostic Procedure with Diagnostic Trouble Code (DTC)

ENGINE (DIAGNOSTICS)

Step	Check	Yes	No
1 CHECK OUTPUT VOLTAGE OF SENSOR. 1) Turn the ignition switch to ON. 2) Read data of sub throttle sensor signal using Subaru Select Monitor.	Is the measured value more than 0.8 V?	Go to step 2.	Go to step 3.
2 CHECK POOR CONTACT IN CONNECTORS. Check poor contact in the connectors between the ECM and electronic throttle control.	Is there poor contact in the connectors between ECM and electronic throttle control?	Repair the poor contact in connectors.	Connector has returned to a normal condition at this time. A temporary poor contact of the connector may be the cause.
3 CHECK HARNESS BETWEEN ECM AND ELECTRONIC THROTTLE CONTROL. 1) Turn the ignition switch to OFF. 2) Disconnect the connector from ECM. 3) Disconnect the connector from electronic throttle control. 4) Measure the resistance between the ECM connector and electronic throttle control connector. <i>Connector & terminal</i> <i>(B134) No. 28 — (E57) No. 4:</i>	Is the measured value less than 1 Ω?	Go to step 4.	Repair the open harness connector.
4 CHECK HARNESS BETWEEN ECM AND ELECTRONIC THROTTLE CONTROL. Check the resistance between the ECM connector and chassis ground. <i>Connector & terminal</i> <i>(B134) No. 28 — Chassis ground:</i>	Is the measured value more than 1 MΩ?	Go to step 5.	Repair the ground short of harness.
5 CHECK POWER SUPPLY TO SENSOR. 1) Connect the ECM connectors. 2) Turn the ignition switch to ON. 3) Measure the voltage between electronic throttle control connector and engine ground. <i>Connector & terminal</i> <i>(E57) No. 5 (+) — Engine ground (-):</i>	Is the measured value within 4.5 to 5.5 V?	Go to step 6.	Repair the poor contact in ECM connector. If problem persists, replace the ECM. <Ref. to FU(H4SO)-38, Engine Control Module (ECM).>
6 CHECK SHORT OF ECM. 1) Turn the ignition switch to OFF. 2) Measure the resistance between electronic throttle control connector and engine ground. <i>Connector & terminal</i> <i>(E57) No. 4 — Engine ground:</i>	Is the measured value more than 10 Ω?	Repair the poor contact in electronic throttle control connector. If problem persists, replace the electronic throttle control. <Ref. to FU(H4SO)-12, Throttle Body.>	Repair the poor contact in ECM connectors. If problem persists, replace the ECM. <Ref. to FU(H4SO)-38, Engine Control Module (ECM).>

Diagnostic Procedure with Diagnostic Trouble Code (DTC)

ENGINE (DIAGNOSTICS)

AS:DTC P0223 THROTTLE/PEDAL POSITION SENSOR/SWITCH “B” CIRCUIT HIGH INPUT

DTC DETECTING CONDITION:

- Immediately at fault recognition
- GENERAL DESCRIPTION <Ref. to GD(H4SO)-77, DTC P0223 THROTTLE/PEDAL POSITION SENSOR/SWITCH “B” CIRCUIT HIGH INPUT, Diagnostic Trouble Code (DTC) Detecting Criteria.>

TROUBLE SYMPTOM:

- Erroneous idling
- Poor driving performance
- Engine stalls.

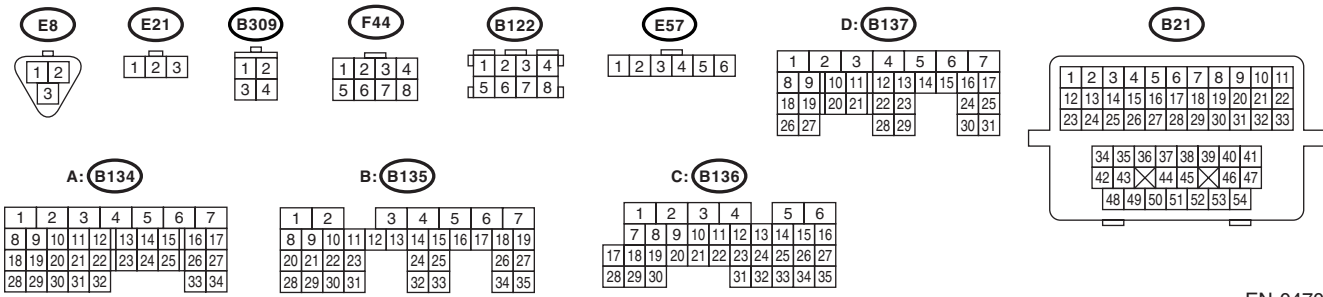
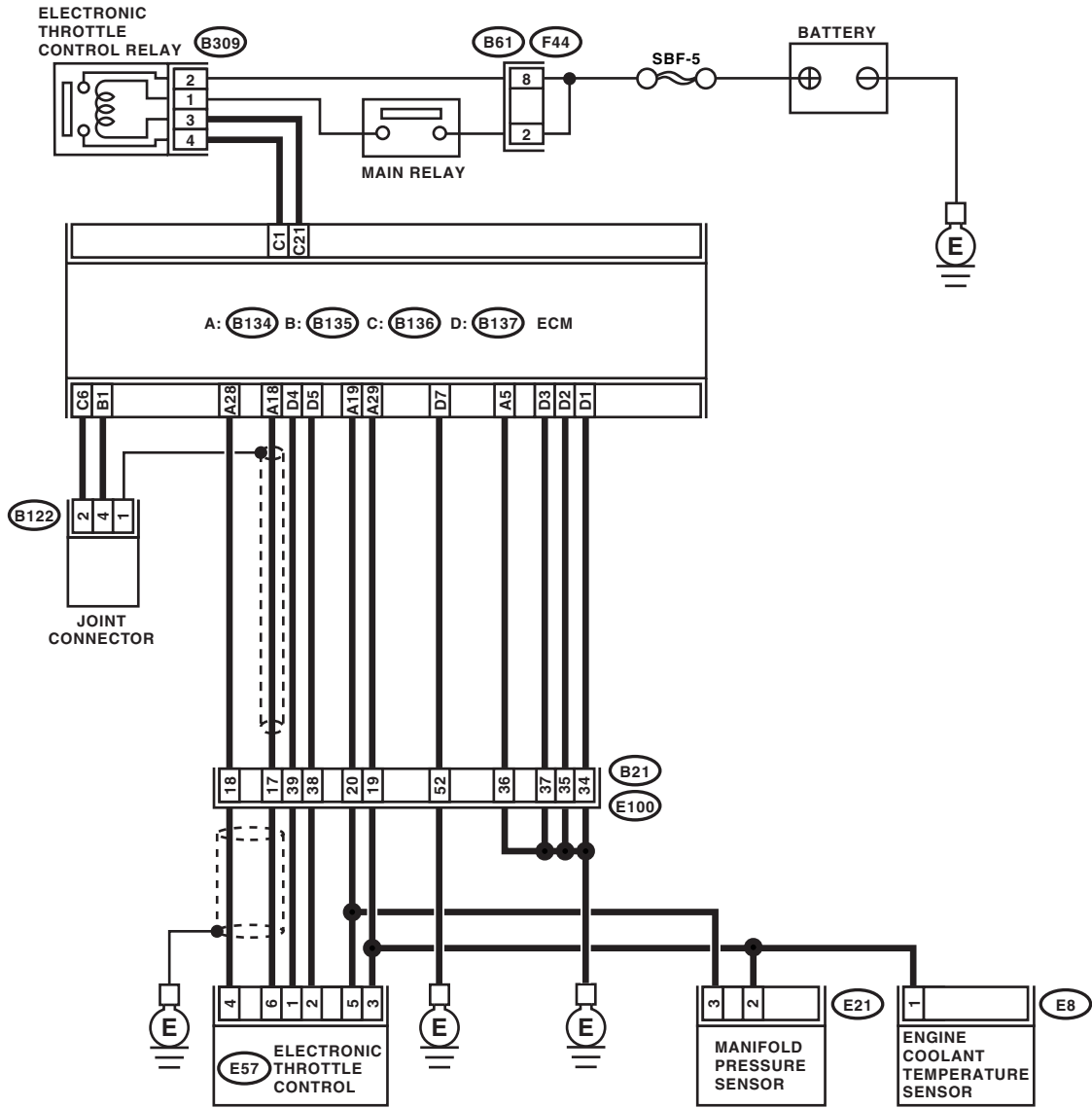
CAUTION:

After repair or replacement of faulty parts, conduct Clear Memory Mode <Ref. to EN(H4SO)(diag)-46, OPERATION, Clear Memory Mode.> and Inspection Mode <Ref. to EN(H4SO)(diag)-36, PROCEDURE, Inspection Mode.>.

Diagnostic Procedure with Diagnostic Trouble Code (DTC)

ENGINE (DIAGNOSTICS)

WIRING DIAGRAM:



EN-04700

Diagnostic Procedure with Diagnostic Trouble Code (DTC)

ENGINE (DIAGNOSTICS)

Step	Check	Yes	No
1 CHECK OUTPUT VOLTAGE OF SENSOR. 1) Turn the ignition switch to ON. 2) Read the data of sub throttle sensor signals, using the Subaru Select Monitor.	Is the measured value less than 4.73 V?	Go to step 2.	Go to step 3.
2 CHECK POOR CONTACT IN CONNECTORS. Check poor contact in connectors between ECM and electronic throttle control.	Is there poor contact in the connectors between ECM and electronic throttle control?	Repair the poor contact in connectors.	Connector has returned to a normal condition at this time. A temporary poor contact of the connector may be the cause.
3 CHECK HARNESS BETWEEN ECM AND ELECTRONIC THROTTLE CONTROL. 1) Turn the ignition switch to OFF. 2) Disconnect the connectors from ECM. 3) Disconnect the connectors from electronic throttle control. 4) Measure the resistance between ECM connector and electronic throttle control connector. <i>Connector & terminal</i> <i>(B134) No. 28 — (E57) No. 4:</i>	Is the measured value less than 1 Ω ?	Go to step 4.	Repair the open circuit of harness connector.
4 CHECK HARNESS BETWEEN ECM AND ELECTRONIC THROTTLE CONTROL. 1) Connect the ECM connector. 2) Measure the resistance between the electronic throttle control connector and engine ground. <i>Connector & terminal</i> <i>(E57) No. 3 — Engine ground:</i>	Is the measured value less than 5 Ω ?	Go to step 5.	Repair the poor contact in ECM connector. If the problem persists, replace the ECM. <Ref. to FU(H4SO)-38, Engine Control Module (ECM).>
5 CHECK HARNESS BETWEEN ECM AND ELECTRONIC THROTTLE CONTROL. 1) Connect the ECM connector. 2) Turn the ignition switch to ON. 3) Measure the voltage between electronic throttle control connector and engine ground. <i>Connector & terminal</i> <i>(E57) No. 5 (+) — Engine ground (-):</i>	Is the measured value less than 10 V?	Go to step 6.	Repair the battery short of harness between ECM connector and electronic throttle control connector.
6 CHECK HARNESS BETWEEN ECM AND ELECTRONIC THROTTLE CONTROL. Measure the voltage between the electronic throttle control connector and engine ground. <i>Connector & terminal</i> <i>(E57) No. 4 (+) — Engine ground (-):</i>	Is the measured value less than 10 V?	Go to step 7.	Repair the short of harness between ECM connector and electronic throttle control connector.
7 CHECK HARNESS BETWEEN ECM AND ELECTRONIC THROTTLE CONTROL. 1) Turn the ignition switch to OFF. 2) Disconnect the connector from ECM. 3) Measure the voltage between connectors. <i>Connector & terminal</i> <i>(B134) No. 28 — (B134) No. 19:</i>	Is the measured value more than 1 M Ω ?	Repair the poor contact in electronic throttle control connector. If problem persists, replace the electronic throttle control. <Ref. to FU(H4SO)-12, Throttle Body.>	Short circuit of sensor power supply may be the cause.

AT:DTC P0301 CYLINDER 1 MISFIRE DETECTED

NOTE:

For the diagnostic procedure, refer to DTC P0304. <Ref. to EN(H4SO)(diag)-182, DTC P0304 CYLINDER 4 MISFIRE DETECTED, Diagnostic Procedure with Diagnostic Trouble Code (DTC).>

AU:DTC P0302 CYLINDER 2 MISFIRE DETECTED

NOTE:

For the diagnostic procedure, refer to DTC P0304. <Ref. to EN(H4SO)(diag)-182, DTC P0304 CYLINDER 4 MISFIRE DETECTED, Diagnostic Procedure with Diagnostic Trouble Code (DTC).>

AV:DTC P0303 CYLINDER 3 MISFIRE DETECTED

NOTE:

For the diagnostic procedure, refer to DTC P0304. <Ref. to EN(H4SO)(diag)-182, DTC P0304 CYLINDER 4 MISFIRE DETECTED, Diagnostic Procedure with Diagnostic Trouble Code (DTC).>

Diagnostic Procedure with Diagnostic Trouble Code (DTC)

ENGINE (DIAGNOSTICS)

AW:DTC P0304 CYLINDER 4 MISFIRE DETECTED

DTC DETECTING CONDITION:

- Two consecutive driving cycles with fault
- Immediately at fault recognition (A misfire which could damage catalyst occurs.)
- GENERAL DESCRIPTION <Ref. to GD(H4SO)-83, DTC P0304 CYLINDER 4 MISFIRE DETECTED, Diagnostic Trouble Code (DTC) Detecting Criteria.>

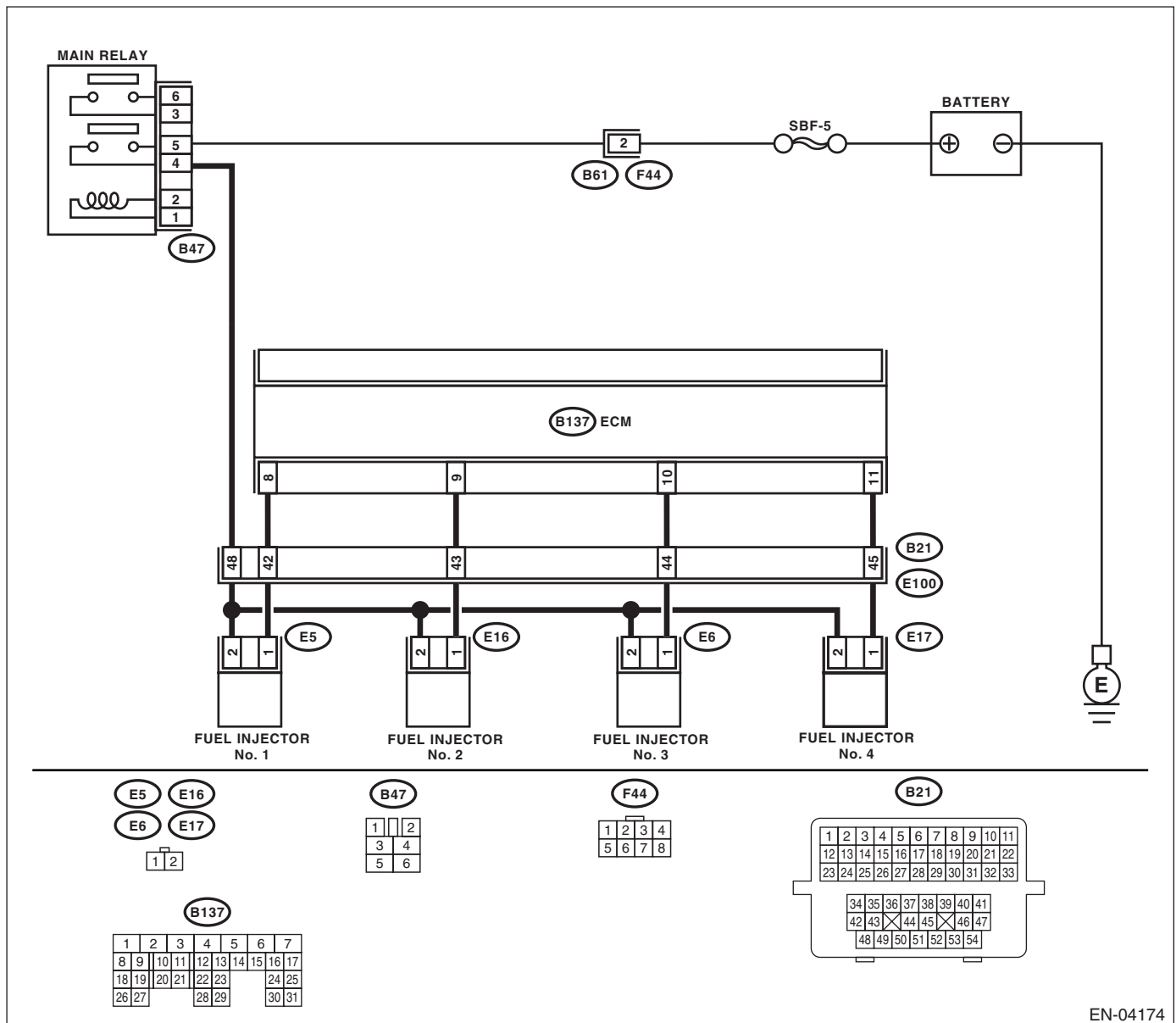
TROUBLE SYMPTOM:

- Engine stalls.
- Erroneous idling
- Rough driving

CAUTION:

After repair or replacement of faulty parts, conduct Clear Memory Mode <Ref. to EN(H4SO)(diag)-46, OPERATION, Clear Memory Mode.> and Inspection Mode <Ref. to EN(H4SO)(diag)-36, PROCEDURE, Inspection Mode.>.

WIRING DIAGRAM:



EN-04174

Diagnostic Procedure with Diagnostic Trouble Code (DTC)

ENGINE (DIAGNOSTICS)

Step	Check	Yes	No
1 CHECK ANY OTHER DTC ON DISPLAY.	Is any other DTC displayed?	Check DTC using "List of Diagnostic Trouble Code (DTC)". <Ref. to EN(H4SO)(diag)-73, List of Diagnostic Trouble Code (DTC).> NOTE: In this case, it is not necessary to inspect DTC P0301, P0302, P0303 and P0304.	Go to step 2.
2 CHECK OUTPUT SIGNAL FROM ECM. 1) Turn the ignition switch to ON. 2) Measure the voltage between ECM connector and chassis ground on faulty cylinders. Connector & terminal <i>#1 (B137) No. 8 (+) — Chassis ground (-):</i> <i>#2 (B137) No. 9 (+) — Chassis ground (-):</i> <i>#3 (B137) No. 10 (+) — Chassis ground (-):</i> <i>#4 (B137) No. 11 (+) — Chassis ground (-):</i>	Is the voltage more than 10 V?	Go to step 7.	Go to step 3.
3 CHECK HARNESS BETWEEN FUEL INJECTOR AND ECM CONNECTOR. 1) Turn the ignition switch to OFF. 2) Disconnect the connector from fuel injector on faulty cylinders. 3) Measure the resistance between ECM connector and engine ground on faulty cylinders. Connector & terminal <i>#1 (E5) No. 1 — Engine ground:</i> <i>#2 (E16) No. 1 — Engine ground:</i> <i>#3 (E6) No. 1 — Engine ground:</i> <i>#4 (E17) No. 1 — Engine ground:</i>	Is the resistance more than 1 M Ω ?	Go to step 4.	Repair ground short circuit in harness between fuel injector and ECM connector.
4 CHECK HARNESS BETWEEN FUEL INJECTOR AND ECM CONNECTOR. Measure the resistance of harness connector between ECM connector and fuel injector on faulty cylinders. Connector & terminal <i>#1 (B137) No. 8 — (E5) No. 1:</i> <i>#2 (B137) No. 9 — (E16) No. 1:</i> <i>#3 (B137) No. 10 — (E6) No. 1:</i> <i>#4 (B137) No. 11 — (E17) No. 1:</i>	Is the resistance less than 1 Ω ?	Go to step 5.	Repair harness and connector. NOTE: In this case, repair the following: <ul style="list-style-type: none"> • Open circuit in harness between ECM and fuel injector connector • Poor contact in coupling connector
5 CHECK FUEL INJECTOR. Measure the resistance between fuel injector terminals on faulty cylinder. Terminals <i>No. 1 — No. 2:</i>	Is the resistance 5 — 20 Ω ?	Go to step 6.	Replace the faulty fuel injector. <Ref. to FU(H4SO)-30, Fuel Injector.>

Diagnostic Procedure with Diagnostic Trouble Code (DTC)

ENGINE (DIAGNOSTICS)

Step	Check	Yes	No
6 CHECK POWER SUPPLY LINE. 1) Turn the ignition switch to ON. 2) Measure the voltage between fuel injector and engine ground on faulty cylinders. Connector & terminal #1 (E5) No. 2 (+) — Engine ground (-): #2 (E16) No. 2 (+) — Engine ground (-): #3 (E6) No. 2 (+) — Engine ground (-): #4 (E17) No. 2 (+) — Engine ground (-):	Is the voltage more than 10 V?	Repair poor contact in all connectors in fuel injector circuit.	Repair harness and connector. NOTE: In this case, repair the following: • Open circuit in harness between main relay and fuel injector connector on faulty cylinders • Poor contact in coupling connector • Poor contact in main relay connector • Poor contact in fuel injector connector on faulty cylinders
7 CHECK HARNESS BETWEEN FUEL INJECTOR AND ECM CONNECTOR. 1) Turn the ignition switch to OFF. 2) Disconnect the connector from fuel injector on faulty cylinder. 3) Turn the ignition switch to ON. 4) Measure the voltage between ECM connector and chassis ground on faulty cylinders. Connector & terminal #1 (B137) No. 8 (+) — Chassis ground (-): #2 (B137) No. 9 (+) — Chassis ground (-): #3 (B137) No. 10 (+) — Chassis ground (-): #4 (B137) No. 11 (+) — Chassis ground (-):	Is the voltage more than 10 V?	Repair battery short circuit in harness between ECM and fuel injector. After repair, replace the ECM. <Ref. to FU(H4SO)-38, Engine Control Module (ECM).>	Go to step 8 .
8 CHECK FUEL INJECTOR. 1) Turn the ignition switch to OFF. 2) Measure the resistance between fuel injector terminals on faulty cylinder. Terminals No. 1 — No. 2:	Is the resistance less than 1 Ω ?	Replace the faulty fuel injector <Ref. to FU(H4SO)-30, Fuel Injector.> and ECM <Ref. to FU(H4SO)-38, Engine Control Module (ECM).>	Go to step 9 .
9 CHECK INSTALLATION OF CAMSHAFT POSITION SENSOR/CRANKSHAFT POSITION SENSOR.	Is the camshaft position sensor or crankshaft position sensor loosely installed?	Tighten camshaft position sensor or crankshaft position sensor.	Go to step 10 .
10 CHECK CRANK SPROCKET. Remove the timing belt cover.	Is the crank sprocket rusted or does it have broken teeth?	Replace the crank sprocket. <Ref. to ME(H4SO)-50, Crank Sprocket.>	Go to step 11 .
11 CHECK INSTALLATION CONDITION OF TIMING BELT. Turn the crankshaft using ST, and align alignment mark on crank sprocket with alignment mark on cylinder block. ST 499987500 CRANKSHAFT SOCKET	Is the timing belt dislocated from its proper position?	Repair installation condition of timing belt. <Ref. to ME(H4SO)-44, Timing Belt.>	Go to step 12 .

Diagnostic Procedure with Diagnostic Trouble Code (DTC)

ENGINE (DIAGNOSTICS)

Step	Check	Yes	No
12 CHECK FUEL LEVEL.	Is the fuel meter indication higher than the "Lower" level?	Go to step 13 .	Replenish fuel so fuel meter indication is higher than the "Lower" level. After replenishing fuel, Go to step 13 .
13 CHECK STATUS OF MALFUNCTION INDICATOR LIGHT. 1) Clear the memory using Subaru Select Monitor. <Ref. to EN(H4SO)(diag)-46, Clear Memory Mode.> 2) Start the engine, and drive the vehicle more than 10 minutes.	Does the malfunction indicator light illuminate or blink?	Go to step 16 .	Go to step 14 .
14 CHECK CAUSE OF MISFIRE DIAGNOSED.	Was the cause of misfire identified when the engine is running? Ex. Disconnection of spark plug cord.	Finish diagnostics operation, if the engine has no abnormality.	Go to step 15 .
15 CHECK FOR POOR CONTACT.	Is there poor contact in the ignition coil, fuel injector, ECM and coupling connector?	Repair poor contact.	Contact your SOA Service Center after checking followings. NOTE: In this case, check the following: <ul style="list-style-type: none"> • Condition of fuel • Fuel additive used or not • Visually check spark plug • Visually check spark plug cord • Condition of engine oil
16 CHECK AIR INTAKE SYSTEM.	Is there a fault in air intake system?	Repair air intake system. NOTE: Check the following items: <ul style="list-style-type: none"> • Are there air leaks or air suction caused by loose or dislocated nuts and bolts? • Are there cracks or any disconnection of hoses? 	Go to step 17 .
17 CHECK MISFIRE SYMPTOM. 1) Turn the ignition switch to ON. 2) Read the DTC. NOTE: <ul style="list-style-type: none"> • Subaru Select Monitor For detailed operation procedures, refer to "READ CURRENT DATA FOR ENGINE". <Ref. to EN(H4SO)(diag)-28, Subaru Select Monitor.> <ul style="list-style-type: none"> • General scan tool For detailed operation procedures, refer to the General Scan Tool Operation Manual.	Does the Subaru Select Monitor or general scan tool display only one DTC?	Go to step 22 .	Go to step 18 .

Diagnostic Procedure with Diagnostic Trouble Code (DTC)

ENGINE (DIAGNOSTICS)

Step	Check	Yes	No
18	CHECK DTC ON DISPLAY. Is any other DTC displayed?	Go to step 23 .	Go to step 19 .
19	CHECK DTC ON DISPLAY. Is any other DTC displayed?	Go to step 24 .	Go to step 20 .
20	CHECK DTC ON DISPLAY. Is any other DTC displayed?	Go to step 25 .	Go to step 21 .
21	CHECK DTC ON DISPLAY. Is any other DTC displayed?	Go to step 26 .	Go to step 27 .
22	ONLY ONE CYLINDER	Is there a fault in that cylinder?	Repair or replace faulty parts. NOTE: Check the following items. <ul style="list-style-type: none"> • Spark plug • Spark plug cord • Fuel injector • Compression ratio
23	GROUP OF #1 AND #2 CYLINDERS	Are there faults in #1 and #2 cylinders?	Repair or replace faulty parts. NOTE: <ul style="list-style-type: none"> • Check the following items. <ul style="list-style-type: none"> • Spark plugs • Fuel injectors • Ignition coil • Compression ratio • If no abnormal is discovered, check for "IGNITION CONTROL SYSTEM" of #1 and #2 cylinders side. <Ref. to EN(H4SO)(diag)-65, IGNITION CONTROL SYSTEM, Diagnostics for Engine Starting Failure.>

Diagnostic Procedure with Diagnostic Trouble Code (DTC)

ENGINE (DIAGNOSTICS)

Step	Check	Yes	No
24 GROUP OF #3 AND #4 CYLINDERS	Are there faults in #3 and #4 cylinders?	Repair or replace faulty parts. NOTE: • Check the following items. • Spark plugs • Fuel injectors • Ignition coil • If no abnormal is discovered, check for "IGNITION CONTROL SYSTEM" of #3 and #4 cylinders side. <Ref. to EN(H4SO)(diag)-65, IGNITION CONTROL SYSTEM, Diagnostics for Engine Starting Failure.>	Go to DTC P0171. <Ref. to EN(H4SO)(diag)-159, DTC P0171 SYSTEM TOO LEAN (BANK 1), Diagnostic Procedure with Diagnostic Trouble Code (DTC).>
25 GROUP OF #1 AND #3 CYLINDERS	Are there faults in #1 and #3 cylinders?	Repair or replace faulty parts. NOTE: Check the following items. • Spark plugs • Fuel injectors • Skipping timing belt teeth	Go to DTC P0171. <Ref. to EN(H4SO)(diag)-159, DTC P0171 SYSTEM TOO LEAN (BANK 1), Diagnostic Procedure with Diagnostic Trouble Code (DTC).>
26 GROUP OF #2 AND #4 CYLINDERS	Are there faults in #2 and #4 cylinders?	Repair or replace faulty parts. NOTE: Check the following items. • Spark plugs • Fuel injectors • Compression ratio • Skipping timing belt teeth	Go to DTC P0171. <Ref. to EN(H4SO)(diag)-159, DTC P0171 SYSTEM TOO LEAN (BANK 1), Diagnostic Procedure with Diagnostic Trouble Code (DTC).>
27 CYLINDER AT RANDOM	Is the engine idle rough?	Go to DTC P0171. <Ref. to EN(H4SO)(diag)-159, DTC P0171 SYSTEM TOO LEAN (BANK 1), Diagnostic Procedure with Diagnostic Trouble Code (DTC).>	Repair or replace faulty parts. NOTE: Check the following items. • Spark plugs • Fuel injectors • Compression ratio

Diagnostic Procedure with Diagnostic Trouble Code (DTC)

ENGINE (DIAGNOSTICS)

AX:DTC P0327 KNOCK SENSOR 1 CIRCUIT LOW INPUT (BANK 1 OR SINGLE SENSOR)

DTC DETECTING CONDITION:

- Immediately at fault recognition
- GENERAL DESCRIPTION <Ref. to GD(H4SO)-84, DTC P0327 KNOCK SENSOR 1 CIRCUIT LOW INPUT (BANK 1 OR SINGLE SENSOR), Diagnostic Trouble Code (DTC) Detecting Criteria.>

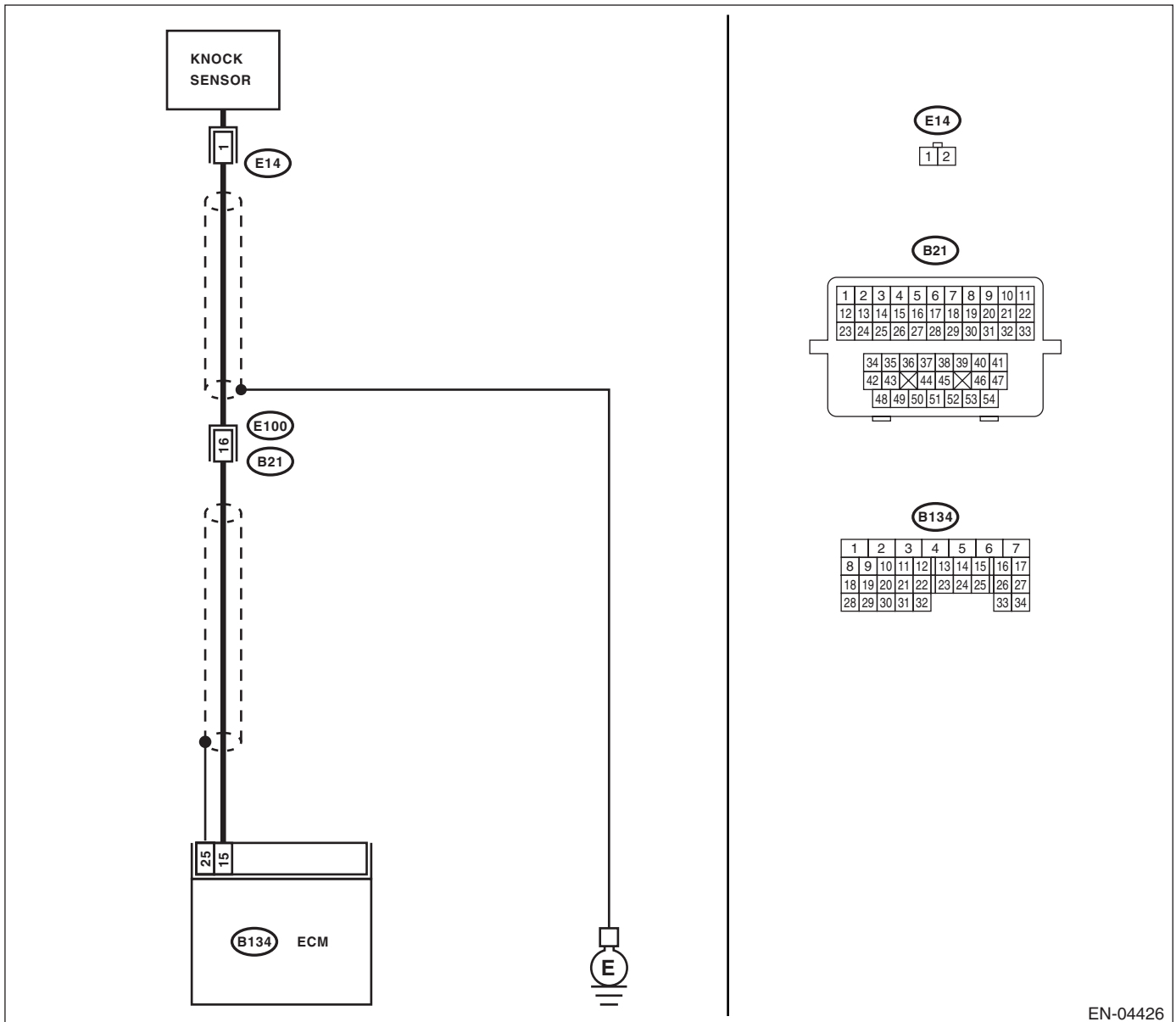
TROUBLE SYMPTOM:

- Poor driving performance
- Knocking occurs.

CAUTION:

After repair or replacement of faulty parts, conduct Clear Memory Mode <Ref. to EN(H4SO)(diag)-46, OPERATION, Clear Memory Mode.> and Inspection Mode <Ref. to EN(H4SO)(diag)-36, PROCEDURE, Inspection Mode.>.

WIRING DIAGRAM:



EN-04426

Diagnostic Procedure with Diagnostic Trouble Code (DTC)

ENGINE (DIAGNOSTICS)

Step	Check	Yes	No
1 CHECK HARNESS BETWEEN KNOCK SENSOR AND ECM CONNECTOR. 1) Turn the ignition switch to OFF. 2) Disconnect the connector from ECM. 3) Measure the resistance between ECM harness connector and chassis ground. <i>Connector & terminal</i> <i>(B134) No. 15 — Chassis ground:</i>	Is the resistance more than 700 k Ω ?	Go to step 2.	Repair harness and connector. NOTE: In this case, repair the following: <ul style="list-style-type: none"> • Open circuit in harness between knock sensor and ECM connector • Poor contact in knock sensor connector • Poor contact in coupling connector
2 CHECK KNOCK SENSOR. 1) Disconnect the connector from knock sensor. 2) Measure the resistance between knock sensor connector terminal and engine ground. <i>Terminals</i> <i>No. 1 — Engine ground:</i>	Is the resistance more than 700 k Ω ?	Go to step 3.	Repair harness and connector. NOTE: In this case, repair the following: <ul style="list-style-type: none"> • Poor contact in knock sensor connector
3 CHECK CONDITION OF KNOCK SENSOR INSTALLATION.	Is the knock sensor installation bolt tightened securely?	Replace the knock sensor. <Ref. to FU(H4SO)-25, Knock Sensor.>	Tighten knock sensor installation bolt securely.

Diagnostic Procedure with Diagnostic Trouble Code (DTC)

ENGINE (DIAGNOSTICS)

AY:DTC P0328 KNOCK SENSOR 1 CIRCUIT HIGH INPUT (BANK 1 OR SINGLE SENSOR)

DTC DETECTING CONDITION:

- Immediately at fault recognition
- GENERAL DESCRIPTION <Ref. to GD(H4SO)-86, DTC P0328 KNOCK SENSOR 1 CIRCUIT HIGH INPUT (BANK 1 OR SINGLE SENSOR), Diagnostic Trouble Code (DTC) Detecting Criteria.>

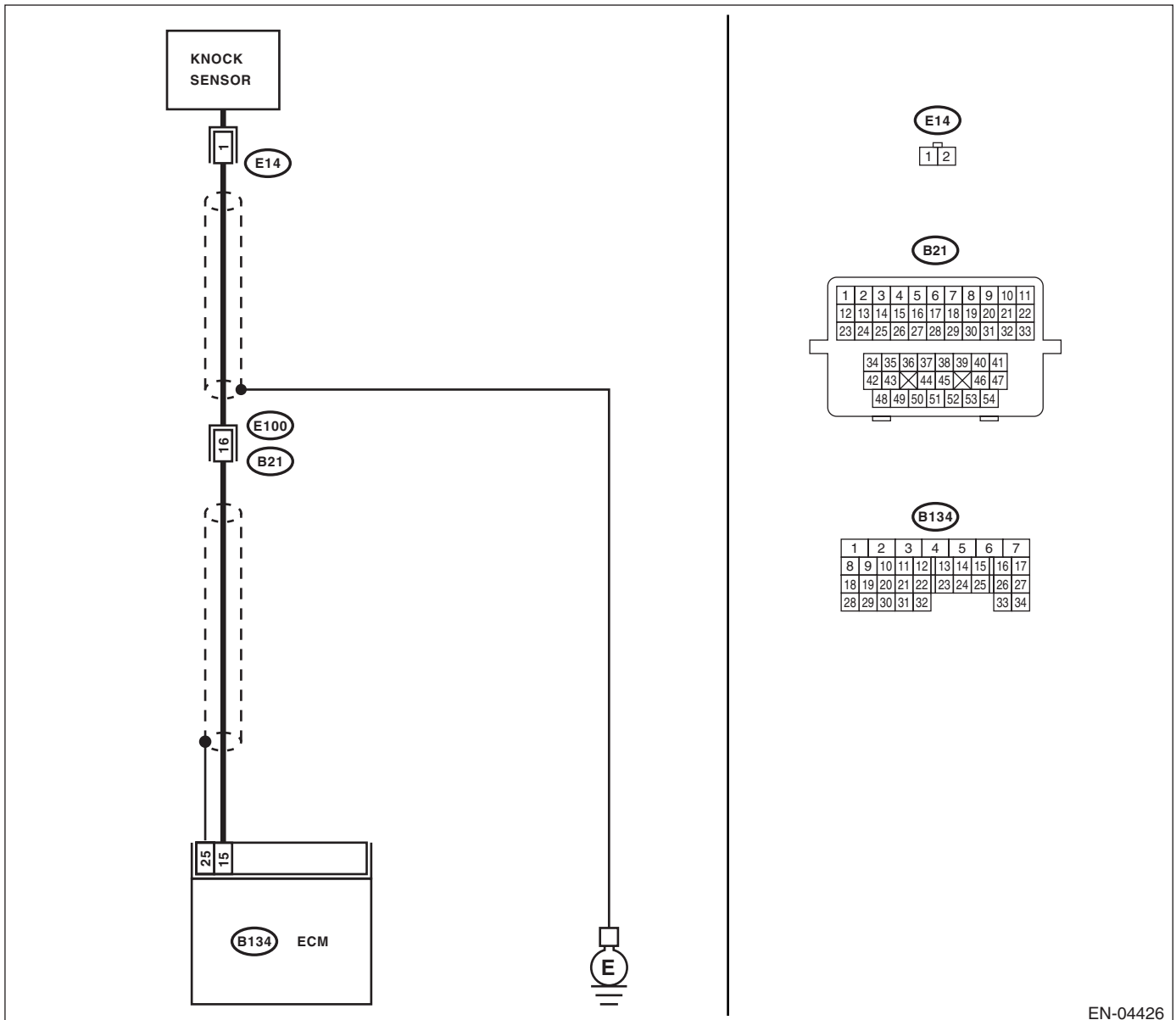
TROUBLE SYMPTOM:

- Poor driving performance
- Knocking occurs.

CAUTION:

After repair or replacement of faulty parts, conduct Clear Memory Mode <Ref. to EN(H4SO)(diag)-46, OPERATION, Clear Memory Mode.> and Inspection Mode <Ref. to EN(H4SO)(diag)-36, PROCEDURE, Inspection Mode.>.

WIRING DIAGRAM:



EN-04426

Diagnostic Procedure with Diagnostic Trouble Code (DTC)

ENGINE (DIAGNOSTICS)

Step	Check	Yes	No
1 CHECK HARNESS BETWEEN KNOCK SENSOR AND ECM CONNECTOR. Measure the resistance of harness between ECM connector and chassis ground. <i>Connector & terminal</i> <i>(B134) No. 15 — Chassis ground:</i>	Is the resistance less than 400 kΩ?	Go to step 2.	Go to step 3.
2 CHECK KNOCK SENSOR. 1) Disconnect the connector from knock sensor. 2) Measure the resistance between knock sensor connector terminal and engine ground. <i>Terminals</i> <i>No. 1 — Engine ground:</i>	Is the resistance less than 400 kΩ?	Replace the knock sensor. <Ref. to FU(H4SO)-25, Knock Sensor.>	Repair ground short circuit in harness between knock sensor connector and ECM connector. NOTE: The harness between both connectors is shielded. Repair short circuit of harness together with shield.
3 CHECK INPUT SIGNAL FOR ECM. 1) Connect the connectors to ECM and knock sensor. 2) Turn the ignition switch to ON. 3) Measure the voltage between ECM and chassis ground. <i>Connector & terminal</i> <i>(B134) No. 15 (+) — Chassis ground (-):</i>	Is the voltage more than 2 V?	Even if malfunction indicator light lights up, the circuit has returned to a normal condition at this time. (However, the possibility of poor contact still remains.) NOTE: In this case, repair the following: <ul style="list-style-type: none"> • Poor contact in knock sensor connector • Poor contact in ECM connector • Poor contact in coupling connector 	Repair poor contact in ECM connector.

Diagnostic Procedure with Diagnostic Trouble Code (DTC)

ENGINE (DIAGNOSTICS)

AZ:DTC P0335 CRANKSHAFT POSITION SENSOR "A" CIRCUIT

DTC DETECTING CONDITION:

- Immediately at fault recognition
- GENERAL DESCRIPTION <Ref. to GD(H4SO)-88, DTC P0335 CRANKSHAFT POSITION SENSOR "A" CIRCUIT, Diagnostic Trouble Code (DTC) Detecting Criteria.>

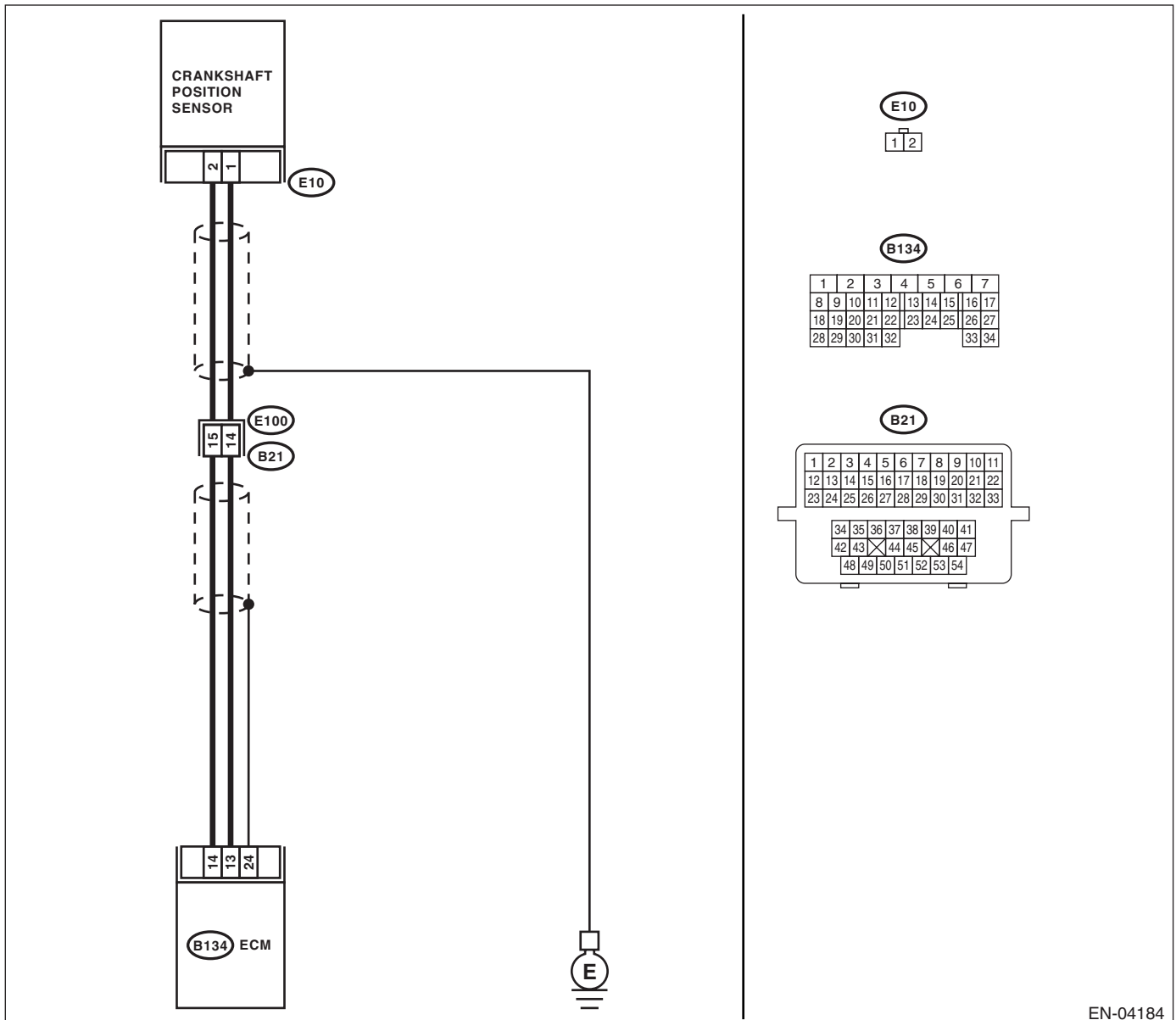
TROUBLE SYMPTOM:

- Engine stalls.
- Failure of engine to start

CAUTION:

After repair or replacement of faulty parts, conduct Clear Memory Mode <Ref. to EN(H4SO)(diag)-46, OPERATION, Clear Memory Mode.> and Inspection Mode <Ref. to EN(H4SO)(diag)-36, PROCEDURE, Inspection Mode.>.

WIRING DIAGRAM:



EN-04184

Diagnostic Procedure with Diagnostic Trouble Code (DTC)

ENGINE (DIAGNOSTICS)

Step	Check	Yes	No
<p>1</p> <p>CHECK HARNESS BETWEEN CRANKSHAFT POSITION SENSOR AND ECM CONNECTOR.</p> <p>1) Turn the ignition switch to OFF. 2) Disconnect the connector from crankshaft position sensor. 3) Measure the resistance of harness between crankshaft position sensor connector and engine ground.</p> <p>Connector & terminal (E10) No. 1 — Engine ground:</p>	<p>Is the resistance more than 100 kΩ?</p>	<p>Repair harness and connector.</p> <p>NOTE: In this case, repair the following:</p> <ul style="list-style-type: none"> • Open circuit in harness between crankshaft position sensor and ECM connector • Poor contact in ECM connector • Poor contact in coupling connector 	<p>Go to step 2.</p>
<p>2</p> <p>CHECK HARNESS BETWEEN CRANKSHAFT POSITION SENSOR AND ECM CONNECTOR.</p> <p>Measure the resistance of harness between crankshaft position sensor connector and engine ground.</p> <p>Connector & terminal (E10) No. 1 — Engine ground:</p>	<p>Is the resistance less than 10 Ω?</p>	<p>Repair ground short circuit in harness between crankshaft position sensor and ECM connector.</p> <p>NOTE: The harness between both connectors are shielded. Repair ground short circuit in harness together with shield.</p>	<p>Go to step 3.</p>
<p>3</p> <p>CHECK HARNESS BETWEEN CRANKSHAFT POSITION SENSOR AND ECM CONNECTOR.</p> <p>Measure the resistance of harness between crankshaft position sensor connector and engine ground.</p> <p>Connector & terminal (E10) No. 2 — Engine ground:</p>	<p>Is the resistance less than 5 Ω?</p>	<p>Go to step 4.</p>	<p>Repair harness and connector.</p> <p>NOTE: In this case, repair the following:</p> <ul style="list-style-type: none"> • Open circuit in harness between crankshaft position sensor and ECM connector • Poor contact in ECM connector • Poor contact in coupling connector
<p>4</p> <p>CHECK CONDITION OF CRANKSHAFT POSITION SENSOR.</p>	<p>Is the crankshaft position sensor installation bolt tightened securely?</p>	<p>Go to step 5.</p>	<p>Tighten crankshaft position sensor installation bolt securely.</p>
<p>5</p> <p>CHECK CRANKSHAFT POSITION SENSOR.</p> <p>1) Remove the crankshaft position sensor. 2) Measure the resistance between connector terminals of crankshaft position sensor.</p> <p>Terminals No. 1 — No. 2:</p>	<p>Is the resistance 1 — 4 kΩ?</p>	<p>Repair poor contact in crankshaft position sensor connector.</p>	<p>Replace the crankshaft position sensor. <Ref. to FU(H4SO)-23, Crankshaft Position Sensor.></p>

Diagnostic Procedure with Diagnostic Trouble Code (DTC)

ENGINE (DIAGNOSTICS)

BA:DTC P0336 CRANKSHAFT POSITION SENSOR "A" CIRCUIT RANGE/PERFORMANCE

DTC DETECTING CONDITION:

- Immediately at fault recognition
- GENERAL DESCRIPTION <Ref. to GD(H4SO)-90, DTC P0336 CRANKSHAFT POSITION SENSOR "A" CIRCUIT RANGE/PERFORMANCE, Diagnostic Trouble Code (DTC) Detecting Criteria.>

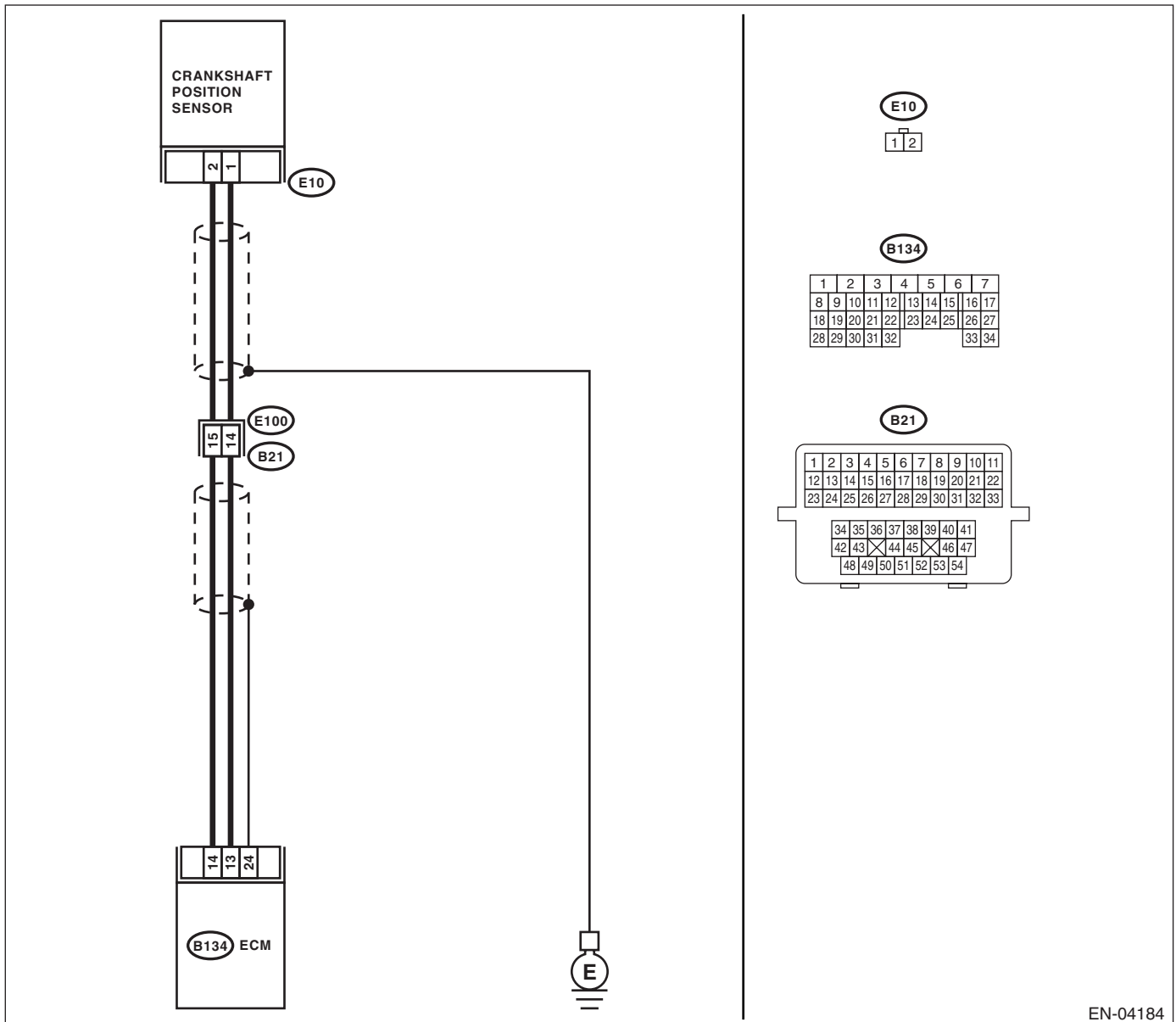
TROUBLE SYMPTOM:

- Engine stalls.
- Failure of engine to start

CAUTION:

After repair or replacement of faulty parts, conduct Clear Memory Mode <Ref. to EN(H4SO)(diag)-46, OPERATION, Clear Memory Mode.> and Inspection Mode <Ref. to EN(H4SO)(diag)-36, PROCEDURE, Inspection Mode.>.

WIRING DIAGRAM:



EN-04184

Diagnostic Procedure with Diagnostic Trouble Code (DTC)

ENGINE (DIAGNOSTICS)

Step	Check	Yes	No
1 CHECK ANY OTHER DTC ON DISPLAY.	Is any other DTC displayed?	Inspect DTC using "List of Diagnostic Trouble Code (DTC)". <Ref. to EN(H4SO)(diag)-73, List of Diagnostic Trouble Code (DTC).>	Go to step 2 .
2 CHECK CONDITION OF CRANKSHAFT POSITION SENSOR. Turn the ignition switch to OFF.	Is the crankshaft position sensor installation bolt tightened securely?	Go to step 3 .	Tighten crankshaft position sensor installation bolt securely.
3 CHECK CRANK SPROCKET. Remove the timing belt cover.	Are crank sprocket teeth cracked or damaged?	Replace the crank sprocket. <Ref. to ME(H4SO)-50, Crank Sprocket.>	Go to step 4 .
4 CHECK INSTALLATION CONDITION OF TIMING BELT. Turn the crankshaft using ST, and align alignment mark on crank sprocket with alignment mark on cylinder block. ST 499987500 CRANKSHAFT SOCKET	Is the timing belt dislocated from its proper position?	Repair installation condition of timing belt. <Ref. to ME(H4SO)-44, Timing Belt.>	Replace the crankshaft position sensor. <Ref. to FU(H4SO)-23, Crankshaft Position Sensor.>

Diagnostic Procedure with Diagnostic Trouble Code (DTC)

ENGINE (DIAGNOSTICS)

BB:DTC P0340 CAMSHAFT POSITION SENSOR "A" CIRCUIT (BANK 1 OR SINGLE SENSOR)

DTC DETECTING CONDITION:

- Immediately at fault recognition
- GENERAL DESCRIPTION <Ref. to GD(H4SO)-92, DTC P0340 CAMSHAFT POSITION SENSOR "A" CIRCUIT (BANK 1 OR SINGLE SENSOR), Diagnostic Trouble Code (DTC) Detecting Criteria.>

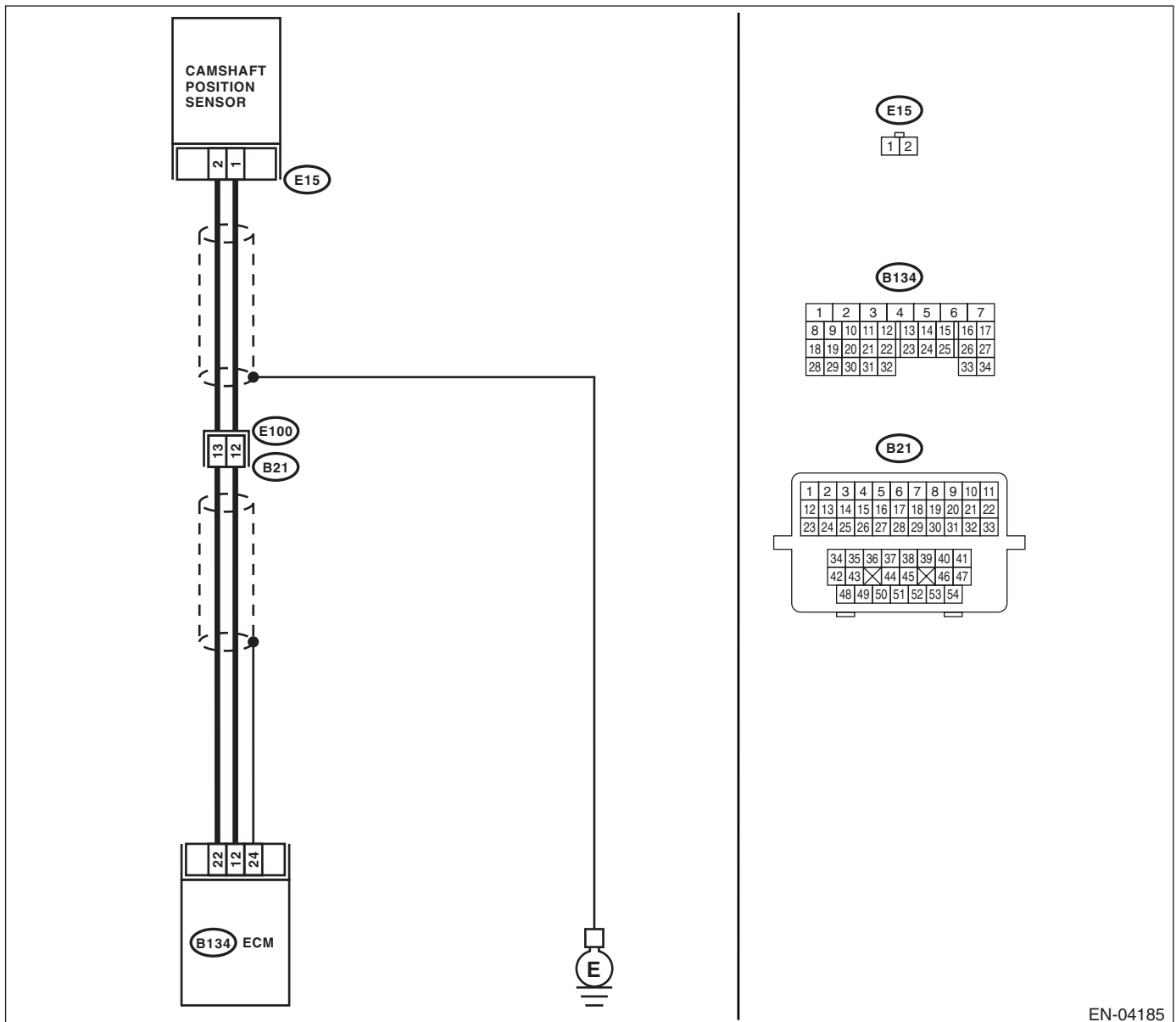
TROUBLE SYMPTOM:

- Engine stalls.
- Failure of engine to start

CAUTION:

After repair or replacement of faulty parts, conduct Clear Memory Mode <Ref. to EN(H4SO)(diag)-46, OPERATION, Clear Memory Mode.> and Inspection Mode <Ref. to EN(H4SO)(diag)-36, PROCEDURE, Inspection Mode.>.

WIRING DIAGRAM:



EN-04185

Diagnostic Procedure with Diagnostic Trouble Code (DTC)

ENGINE (DIAGNOSTICS)

Step	Check	Yes	No
<p>1</p> <p>CHECK HARNESS BETWEEN CAMSHAFT POSITION SENSOR AND ECM CONNECTOR.</p> <p>1) Turn the ignition switch to OFF. 2) Disconnect the connector from camshaft position sensor. 3) Measure the resistance of harness between camshaft position sensor connector and engine ground.</p> <p>Connector & terminal (E15) No. 1 — Engine ground:</p>	<p>Is the resistance more than 100 kΩ?</p>	<p>Repair harness and connector.</p> <p>NOTE: In this case, repair the following:</p> <ul style="list-style-type: none"> • Open circuit in harness between camshaft position sensor and ECM connector • Poor contact in ECM connector • Poor contact in coupling connector 	<p>Go to step 2.</p>
<p>2</p> <p>CHECK HARNESS BETWEEN CAMSHAFT POSITION SENSOR AND ECM CONNECTOR.</p> <p>Measure the resistance of harness between camshaft position sensor connector and engine ground.</p> <p>Connector & terminal (E15) No. 1 — Engine ground:</p>	<p>Is the resistance less than 10 Ω?</p>	<p>Repair ground short circuit in harness between camshaft position sensor and ECM connector.</p> <p>NOTE: The harness between both connectors are shielded. Repair ground short circuit in harness together with shield.</p>	<p>Go to step 3.</p>
<p>3</p> <p>CHECK HARNESS BETWEEN CAMSHAFT POSITION SENSOR AND ECM CONNECTOR.</p> <p>Measure the resistance of harness between camshaft position sensor connector and engine ground.</p> <p>Connector & terminal (E15) No. 2 — Engine ground:</p>	<p>Is the resistance less than 5 Ω?</p>	<p>Go to step 4.</p>	<p>Repair harness and connector.</p> <p>NOTE: In this case, repair the following:</p> <ul style="list-style-type: none"> • Open circuit in harness between camshaft position sensor and ECM connector • Poor contact in ECM connector • Poor contact in coupling connector
<p>4</p> <p>CHECK CONDITION OF CAMSHAFT POSITION SENSOR.</p>	<p>Is the camshaft position sensor installation bolt tightened securely?</p>	<p>Go to step 5.</p>	<p>Tighten camshaft position sensor installation bolt securely.</p>
<p>5</p> <p>CHECK CAMSHAFT POSITION SENSOR.</p> <p>1) Remove the camshaft position sensor. 2) Measure the resistance between connector terminals of camshaft position sensor.</p> <p>Terminals No. 1 — No. 2:</p>	<p>Is the resistance 1 — 4 kΩ?</p>	<p>Repair poor contact in camshaft position sensor connector.</p>	<p>Replace the camshaft position sensor. <Ref. to FU(H4SO)-24, Camshaft Position Sensor.></p>

Diagnostic Procedure with Diagnostic Trouble Code (DTC)

ENGINE (DIAGNOSTICS)

BC:DTC P0341 CAMSHAFT POSITION SENSOR "A" CIRCUIT RANGE/PERFORMANCE (BANK 1 OR SINGLE SENSOR)

DTC DETECTING CONDITION:

- Immediately at fault recognition
- GENERAL DESCRIPTION <Ref. to GD(H4SO)-94, DTC P0341 CAMSHAFT POSITION SENSOR "A" CIRCUIT RANGE/PERFORMANCE (BANK 1 OR SINGLE SENSOR), Diagnostic Trouble Code (DTC) Detecting Criteria.>

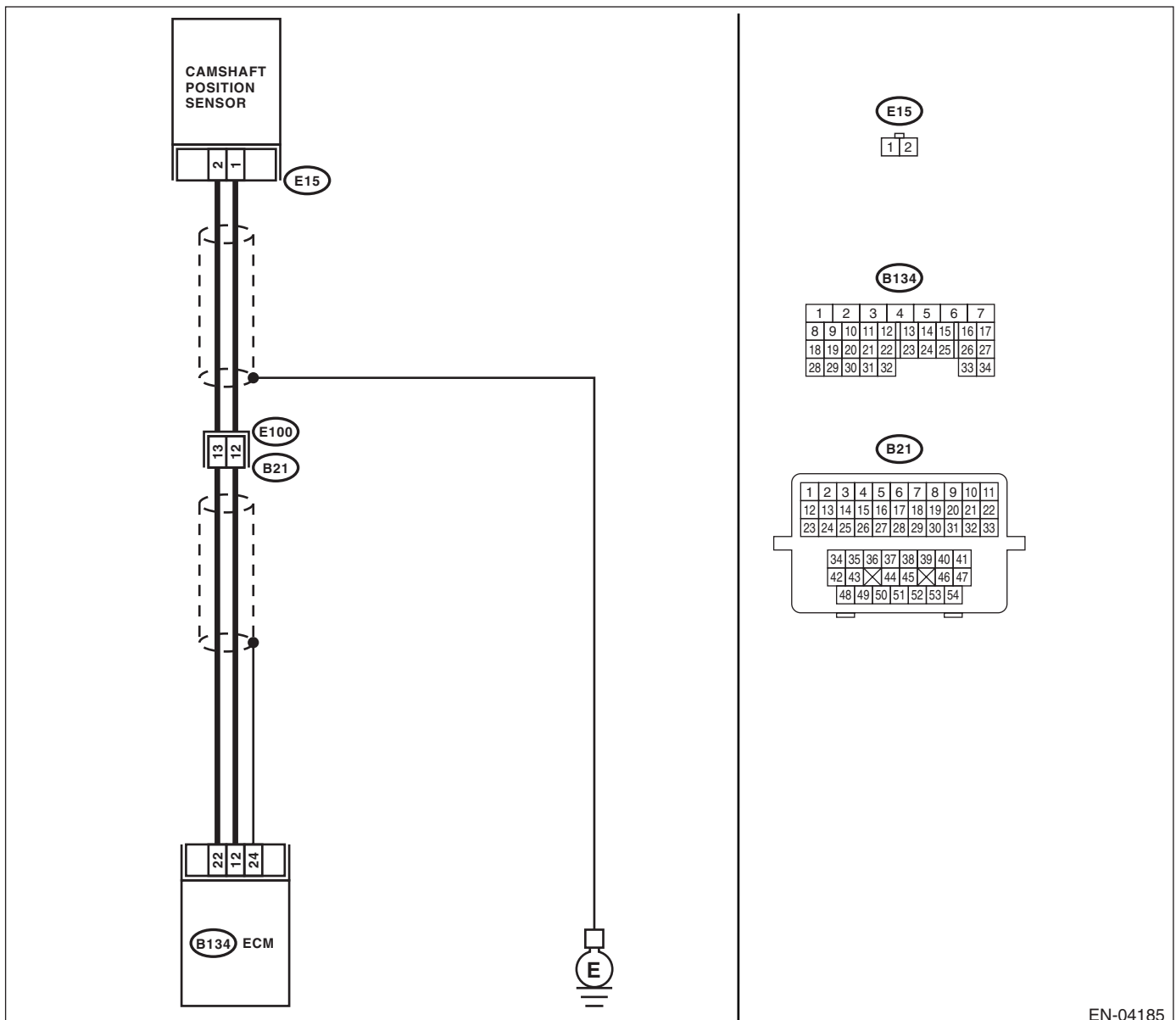
TROUBLE SYMPTOM:

- Engine stalls.
- Failure of engine to start

CAUTION:

After repair or replacement of faulty parts, conduct Clear Memory Mode <Ref. to EN(H4SO)(diag)-46, OPERATION, Clear Memory Mode.> and Inspection Mode <Ref. to EN(H4SO)(diag)-36, PROCEDURE, Inspection Mode.>.

WIRING DIAGRAM:



EN-04185

Diagnostic Procedure with Diagnostic Trouble Code (DTC)

ENGINE (DIAGNOSTICS)

Step	Check	Yes	No	
1	CHECK ANY OTHER DTC ON DISPLAY.	Is any other DTC displayed?	Inspect DTC using "List of Diagnostic Trouble Code (DTC)". <Ref. to EN(H4SO)(diag)-73, List of Diagnostic Trouble Code (DTC).>	Go to step 2.
2	CHECK HARNESS BETWEEN CAMSHAFT POSITION SENSOR AND ECM CONNECTOR. 1) Turn the ignition switch to OFF. 2) Disconnect the connector from camshaft position sensor. 3) Measure the resistance of harness between camshaft position sensor connector and engine ground. Connector & terminal (E15) No. 1 — Engine ground:	Is the resistance more than 100 k Ω ?	Repair harness and connector. NOTE: In this case, repair the following: • Open circuit in harness between camshaft position sensor and ECM connector • Poor contact in ECM connector • Poor contact in coupling connector	Go to step 3.
3	CHECK HARNESS BETWEEN CAMSHAFT POSITION SENSOR AND ECM CONNECTOR. Measure the resistance of harness between camshaft position sensor connector and engine ground. Connector & terminal (E15) No. 1 — Engine ground:	Is the resistance less than 10 Ω ?	Repair ground short circuit in harness between camshaft position sensor and ECM connector. NOTE: The harness between both connectors are shielded. Repair ground short circuit in harness together with shield.	Go to step 4.
4	CHECK HARNESS BETWEEN CAMSHAFT POSITION SENSOR AND ECM CONNECTOR. Measure the resistance of harness between camshaft position sensor connector and engine ground. Connector & terminal (E15) No. 2 — Engine ground:	Is the resistance less than 5 Ω ?	Go to step 5.	Repair harness and connector. NOTE: In this case, repair the following: • Open circuit in harness between camshaft position sensor and ECM connector • Poor contact in ECM connector • Poor contact in coupling connector
5	CHECK CONDITION OF CAMSHAFT POSITION SENSOR.	Is the camshaft position sensor installation bolt tightened securely?	Go to step 6.	Tighten camshaft position sensor installation bolt securely.

Diagnostic Procedure with Diagnostic Trouble Code (DTC)

ENGINE (DIAGNOSTICS)

Step	Check	Yes	No
6 CHECK CAMSHAFT POSITION SENSOR. 1) Remove the camshaft position sensor. 2) Measure the resistance between connector terminals of camshaft position sensor. Terminals No. 1 — No. 2:	Is the resistance 1 — 4 kΩ?	Go to step 7.	Replace the camshaft position sensor. <Ref. to FU(H4SO)-24, Camshaft Position Sensor.>
7 CHECK CONDITION OF CAMSHAFT POSITION SENSOR. Turn the ignition switch to OFF.	Is the camshaft position sensor installation bolt tightened securely?	Go to step 8.	Tighten camshaft position sensor installation bolt securely.
8 CHECK CAM SPROCKET. Remove the timing belt cover. <Ref. to ME(H4SO)-43, Timing Belt Cover.>	Are cam sprocket teeth cracked or damaged?	Replace the cam sprocket. <Ref. to ME(H4SO)-49, Cam Sprocket.>	Go to step 9.
9 CHECK INSTALLATION CONDITION OF TIMING BELT. Turn the camshaft using ST, and align alignment mark on cam sprocket with alignment mark on timing belt cover LH. ST 499987500 CAMSHAFT SOCKET	Is the timing belt dislocated from its proper position?	Repair installation condition of timing belt. <Ref. to ME(H4SO)-44, Timing Belt.>	Replace the camshaft position sensor. <Ref. to FU(H4SO)-24, Camshaft Position Sensor.>

BD:DTC P0400 EXHAUST GAS RECIRCULATION FLOW

DTC DETECTING CONDITION:

- Two consecutive driving cycles with fault
- GENERAL DESCRIPTION <Ref. to GD(H4SO)-96, DTC P0400 EXHAUST GAS RECIRCULATION FLOW, Diagnostic Trouble Code (DTC) Detecting Criteria.>

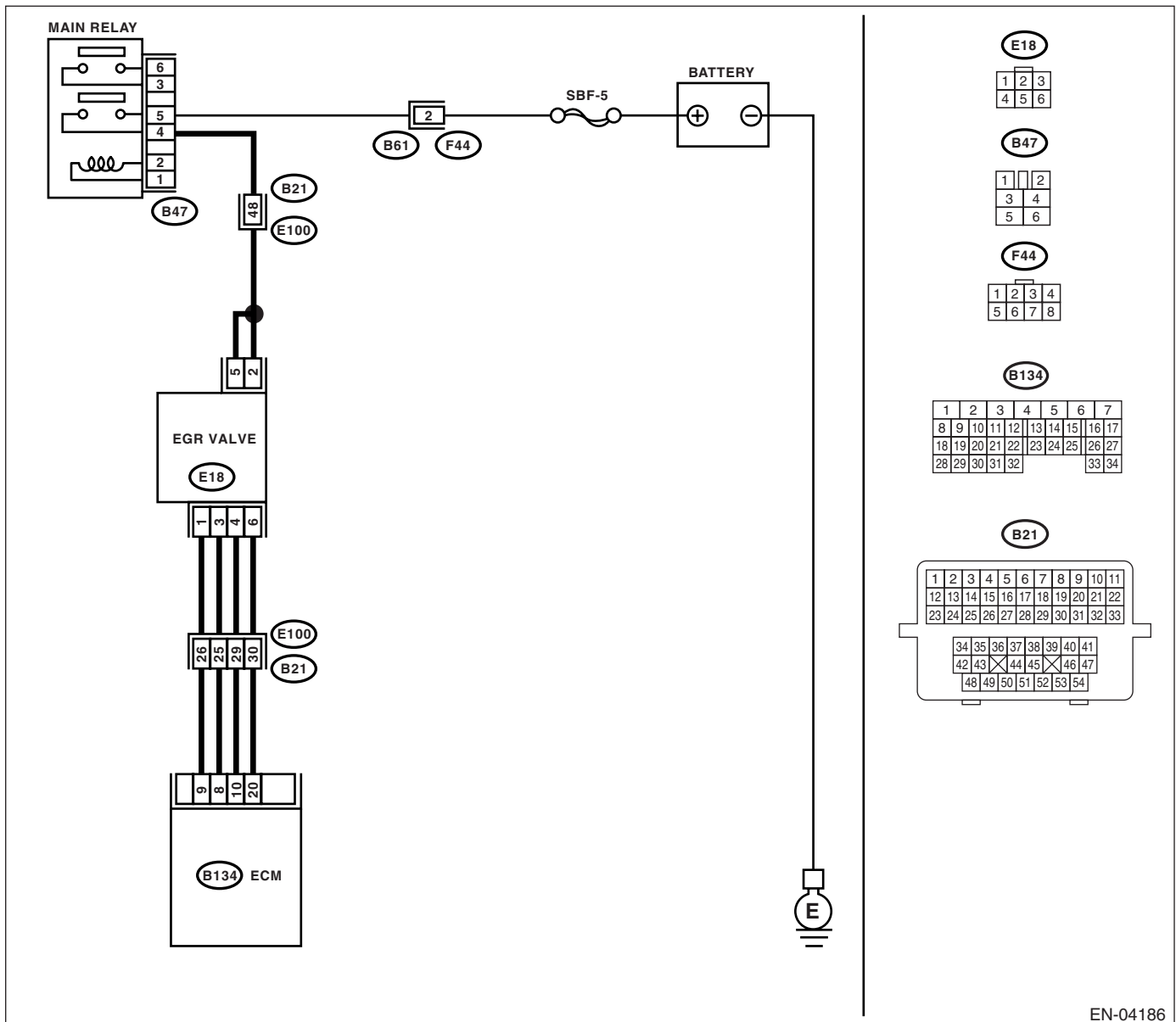
TROUBLE SYMPTOM:

- Poor driving performance at low engine speed
- Faulty idling
- Poor driving performance

CAUTION:

After repair or replacement of faulty parts, conduct Clear Memory Mode <Ref. to EN(H4SO)(diag)-46, OPERATION, Clear Memory Mode.> and Inspection Mode <Ref. to EN(H4SO)(diag)-36, PROCEDURE, Inspection Mode.>.

WIRING DIAGRAM:



EN-04186

Diagnostic Procedure with Diagnostic Trouble Code (DTC)

ENGINE (DIAGNOSTICS)

Step	Check	Yes	No
1 CHECK ANY OTHER DTC ON DISPLAY.	Is any other DTC displayed?	Inspect DTC using "List of Diagnostic Trouble Code (DTC)". <Ref. to EN(H4SO)(diag)-73, List of Diagnostic Trouble Code (DTC).>	Go to step 2.
2 CHECK CURRENT DATA. 1) Start the engine. 2) Read data of intake manifold absolute pressure signal using Subaru Select Monitor or general scan tool. NOTE: • Subaru Select Monitor For detailed operation procedures, refer to "READ CURRENT DATA FOR ENGINE". <Ref. to EN(H4SO)(diag)-28, Subaru Select Monitor.> • General scan tool For detailed operation procedures, refer to the General Scan Tool Instruction Manual.	Is the measured value more than 53.3 kPa (400 mmHg, 15.75 inHg)?	Make sure that EGR valve, manifold absolute pressure sensor and throttle body are securely installed.	Go to step 3.
3 CHECK POWER SUPPLY TO EGR SOLENOID VALVE. 1) Disconnect connector from EGR solenoid valve. 2) Turn ignition switch ON. 3) Measure voltage between EGR solenoid valve and engine ground. Connector & terminal (E15) No. 2 (+) — Engine ground (-): (E18) No. 5 (+) — Engine ground (-):	Is the measured value more than 10 V?	Go to step 4.	Repair the open circuit in harness between main relay and EGR solenoid valve connector.
4 CHECK EGR SOLENOID VALVE. Measure resistance between EGR solenoid valve terminals. NOTE: Measure resistance between EGR solenoid valve terminals. Connector & terminal No. 1 — No. 2: No. 3 — No. 2: No. 4 — No. 5: No. 6 — No. 5:	Is the measured value within 20 to 30 Ω?	Go to step 5.	Replace EGR solenoid valve. <Ref. to FU(H4SO)-29, EGR Valve.>
5 OUTPUT SIGNAL FROM ECM 1) Turn ignition switch OFF. 2) Connect connectors to ECM and EGR solenoid valve. 3) Turn ignition switch ON. 4) Measure voltage between ECM and chassis ground. Connector & terminal (B134) No. 8 (+) — Chassis ground (-): (B134) No. 9 (+) — Chassis ground (-): (B134) No. 10 (+) — Chassis ground (-): (B134) No. 20 (+) — Chassis ground (-):	Is the measured value within 0 to 10 V?	Repair poor contact in ECM connector.	Go to step 6.

Diagnostic Procedure with Diagnostic Trouble Code (DTC)

ENGINE (DIAGNOSTICS)

Step	Check	Yes	No
6 CHECK HARNESS BETWEEN EGR SOLENOID VALVE AND ECM CONNECTOR. 1) Turn ignition switch OFF. 2) Disconnect connector from EGR solenoid valve and ECM. 3) Measure resistance of harness between EGR solenoid valve and ECM connector. <i>Connector & terminal</i> <i>(B134) No. 8 — (E18) No. 3:</i> <i>(B134) No. 9 — (E18) No. 1:</i> <i>(B134) No. 10 — (E18) No. 4:</i> <i>(B134) No. 20 — (E18) No. 6:</i>	Is the measured value less than 1 Ω?	Go to step 7.	Repair open circuit in harness between ECM and EGR solenoid valve connector.
7 CHECK HARNESS BETWEEN EGR SOLENOID VALVE AND ECM CONNECTOR. Measure resistance of harness between EGR solenoid valve and chassis ground. <i>Connector & terminal</i> <i>(B134) No. 8 — Chassis ground:</i> <i>(B134) No. 9 — Chassis ground:</i> <i>(B134) No. 10 — Chassis ground:</i> <i>(B134) No. 20 — Chassis ground:</i>	Is the measured value more than 1 MΩ?	Go to step 8.	Repair short circuit in harness between main relay and EGR solenoid valve connector.
8 CHECK POOR CONTACT. Check poor contact in ECM and EGR solenoid valve connector.	Is there poor contact in ECM and EGR solenoid valve connector?	Repair poor contact in ECM and EGR solenoid valve connector.	Even if MIL lights up, the circuit has returned to a normal condition at this time.

BE: DTC P0420 CATALYST SYSTEM EFFICIENCY BELOW THRESHOLD (BANK 1)

DTC DETECTING CONDITION:

- Two consecutive driving cycles with fault
- GENERAL DESCRIPTION <Ref. to GD(H4SO)-99, DTC P0420 CATALYST SYSTEM EFFICIENCY BELOW THRESHOLD (BANK 1), Diagnostic Trouble Code (DTC) Detecting Criteria.>

TROUBLE SYMPTOM:

- Engine stalls.
- Idle mixture is out of specifications.

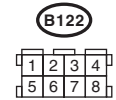
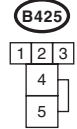
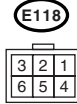
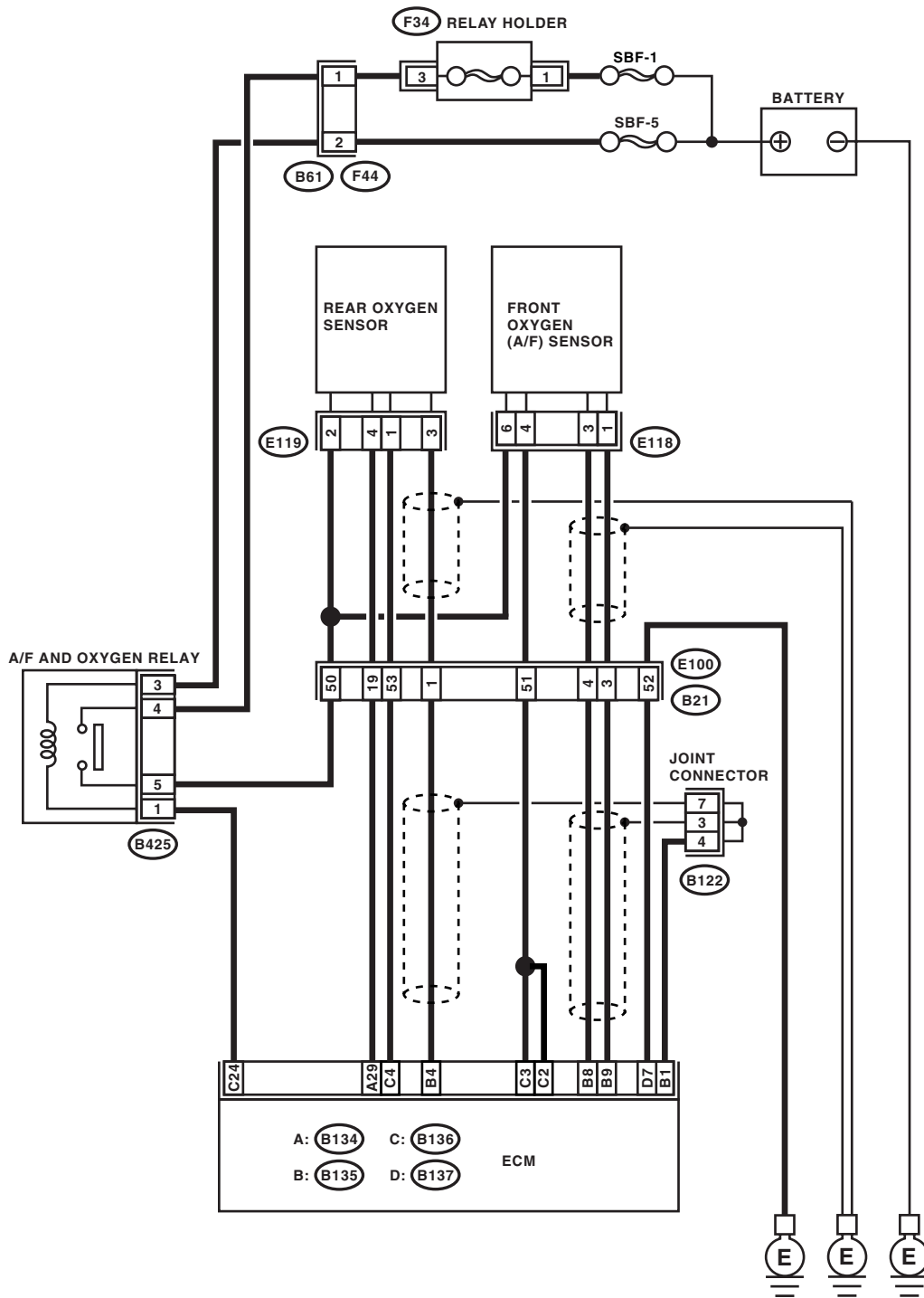
CAUTION:

After repair or replacement of faulty parts, conduct Clear Memory Mode <Ref. to EN(H4SO)(diag)-46, OPERATION, Clear Memory Mode.> and Inspection Mode <Ref. to EN(H4SO)(diag)-36, PROCEDURE, Inspection Mode.>.

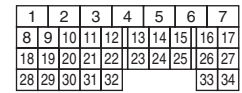
Diagnostic Procedure with Diagnostic Trouble Code (DTC)

ENGINE (DIAGNOSTICS)

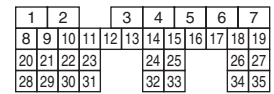
WIRING DIAGRAM:



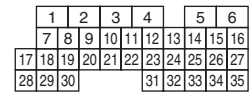
A: B134



B: B135



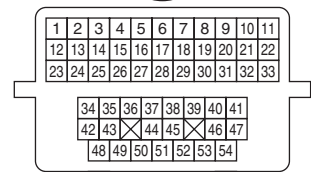
C: B136



D: B137



B21



EN-04626

Diagnostic Procedure with Diagnostic Trouble Code (DTC)

ENGINE (DIAGNOSTICS)

Step	Check	Yes	No
1 CHECK ANY OTHER DTC ON DISPLAY.	Is any other DTC displayed?	Inspect the relevant DTC using "List of Diagnostic Trouble Code (DTC)". <Ref. to EN(H4SO)(diag)-73, List of Diagnostic Trouble Code (DTC).> NOTE: In this case, it is not necessary to inspect DTC P0420.	Go to step 2.
2 CHECK EXHAUST SYSTEM. Check for gas leaks or air suction caused by loose or dislocated nuts and bolts, and open hole at exhaust pipes. NOTE: Check the following positions. <ul style="list-style-type: none"> • Between cylinder head and front exhaust pipe • Between front exhaust pipe and front catalytic converter • Between front catalytic converter and rear catalytic converter • Looseness and incomplete installation of front oxygen (A/F) sensor and rear oxygen sensor 	Is there a fault in exhaust system?	Repair or replace the exhaust system. <Ref. to EX(H4SO)-2, General Description.>	Go to step 3.
3 CHECK WAVEFORM ON SUBARU SELECT MONITOR. (DURING DRIVING) 1) Drive at a constant speed of 80 — 113 km/h (50 — 70 MPH). 2) After leaving it in the condition of Step 1) for 5 minutes, read the waveform data using Subaru Select Monitor while driving. <Ref. to EN(H4SO)(diag)-18, ELECTRICAL SPECIFICATION, Engine Control Module (ECM) I/O Signal.>	Is normal waveform displayed?	Contact your SOA-Service Center since deterioration of some parts may be the cause.	Go to step 4.
4 CHECK WAVEFORM ON SUBARU SELECT MONITOR. (DURING IDLING) 1) Run the vehicle at idle. 2) In the condition of Step 1), read the waveform data using Subaru Select Monitor. <Ref. to EN(H4SO)(diag)-18, ELECTRICAL SPECIFICATION, Engine Control Module (ECM) I/O Signal.>	Is normal waveform displayed?	Go to step 10.	Go to step 5.

Diagnostic Procedure with Diagnostic Trouble Code (DTC)

ENGINE (DIAGNOSTICS)

Step	Check	Yes	No
<p>5 CHECK VOLTAGE OF REAR OXYGEN SENSOR.</p> <p>1) Warm-up the engine until engine coolant temperature is above 70°C (158°F), and keep the engine speed at 3,000 rpm. (2 minutes at the longest)</p> <p>2) Read the rear oxygen sensor voltage using Subaru Select Monitor.</p> <p>NOTE:</p> <ul style="list-style-type: none"> • For MT model, depress the clutch pedal. • Subaru Select Monitor <p>For detailed operation procedures, refer to "READ CURRENT DATA FOR ENGINE". <Ref. to EN(H4SO)(diag)-28, Subaru Select Monitor.></p> <ul style="list-style-type: none"> • General scan tool <p>For detailed operation procedures, refer to the general scan tool instruction manual.</p>	<p>Is the voltage more than 490 mV?</p>	<p>Go to step 9.</p>	<p>Go to step 6.</p>
<p>6 CHECK REAR OXYGEN SENSOR CONNECTOR AND COUPLING CONNECTOR.</p>	<p>Is there water in connector?</p>	<p>Remove infiltrating water completely.</p>	<p>Go to step 7.</p>
<p>7 CHECK HARNESS BETWEEN ECM AND REAR OXYGEN SENSOR CONNECTOR.</p> <p>1) Turn the ignition switch to OFF.</p> <p>2) Disconnect the connectors from ECM and rear oxygen sensor.</p> <p>3) Measure the resistance of harness between ECM and rear oxygen sensor connector.</p> <p>Connector & terminal (B135) No. 4 — (E119) No. 3: (B134) No. 29 — (E119) No. 4:</p>	<p>Is the resistance more than 3 Ω?</p>	<p>Repair the open circuit in harness between ECM and rear oxygen sensor connector.</p>	<p>Go to step 8.</p>
<p>8 CHECK HARNESS BETWEEN ECM AND REAR OXYGEN SENSOR CONNECTOR.</p> <p>1) Turn the ignition switch to ON.</p> <p>2) Measure the voltage between rear oxygen sensor connector and chassis ground.</p> <p>Connector & terminal (E119) No. 3 (+) — Chassis ground:</p>	<p>Is the voltage 0.2 — 0.5 V?</p>	<p>Go to step 11.</p>	<p>Repair the harness and connector.</p> <p>NOTE: Repair the following items.</p> <ul style="list-style-type: none"> • Open circuit in harness between rear oxygen sensor and ECM connector • Poor contact of rear oxygen sensor and ECM connector • Poor contact in ECM connector

Diagnostic Procedure with Diagnostic Trouble Code (DTC)

ENGINE (DIAGNOSTICS)

Step	Check	Yes	No
9 CHECK VOLTAGE OF REAR OXYGEN SENSOR. 1) Warm-up the engine until engine coolant temperature is above 70°C (158°F), and immediately decrease the engine speed at 3,000 rpm. 2) Read the rear oxygen sensor voltage using Subaru Select Monitor. NOTE: • For MT model, depress the clutch pedal. • Subaru Select Monitor For detailed operation procedures, refer to "READ CURRENT DATA FOR ENGINE". <Ref. to EN(H4SO)(diag)-28, Subaru Select Monitor.> • General scan tool For detailed operation procedures, refer to the general scan tool instruction manual.	Is the voltage less than 250 mV?	Contact your SOA Service Center since deterioration of some parts may be the cause.	Go to step 7.
10 CHECK CATALYTIC CONVERTER.	Is the catalytic converter damaged?	Replace the catalytic converter. <Ref. to EC(H4SO)-3, Front Catalytic Converter.>	Contact your SOA Service Center since deterioration of some parts may be the cause.
11 CHECK REAR OXYGEN SENSOR SHIELD. 1) Turn the ignition switch to OFF. 2) Bare the sensor shield of body side harness of rear oxygen sensor connector. 3) Measure the resistance between sensor shield and chassis ground.	Is the resistance less than 1 Ω?	Replace the rear oxygen sensor. <Ref. to FU(H4SO)-37, Rear Oxygen Sensor.>	Repair the open circuit in rear oxygen sensor harness.

BF:DTC P0442 EVAPORATIVE EMISSION CONTROL SYSTEM LEAK DETECTED (SMALL LEAK)

DTC DETECTING CONDITION:

- Two consecutive driving cycles with fault
- GENERAL DESCRIPTION <Ref. to GD(H4SO)-101, DTC P0442 EVAPORATIVE EMISSION CONTROL SYSTEM LEAK DETECTED (SMALL LEAK), Diagnostic Trouble Code (DTC) Detecting Criteria.>

TROUBLE SYMPTOM:

- Fuel odor
- There is a hole of more than 1.0 mm (0.04 in) dia. in evaporation system or fuel tank.

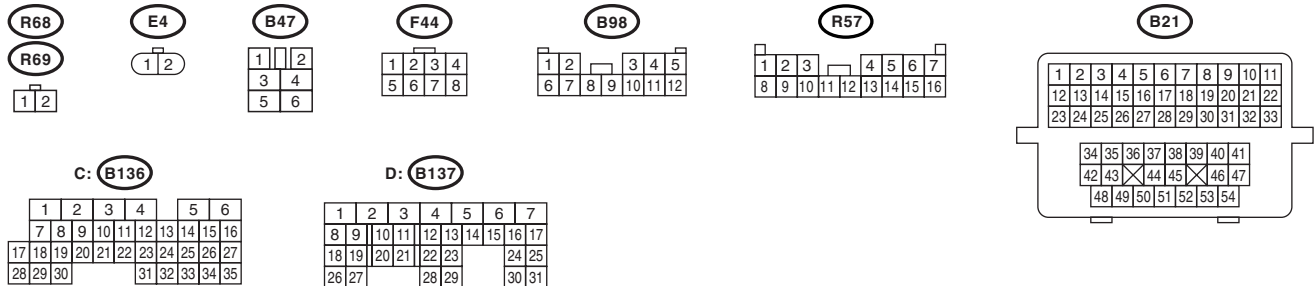
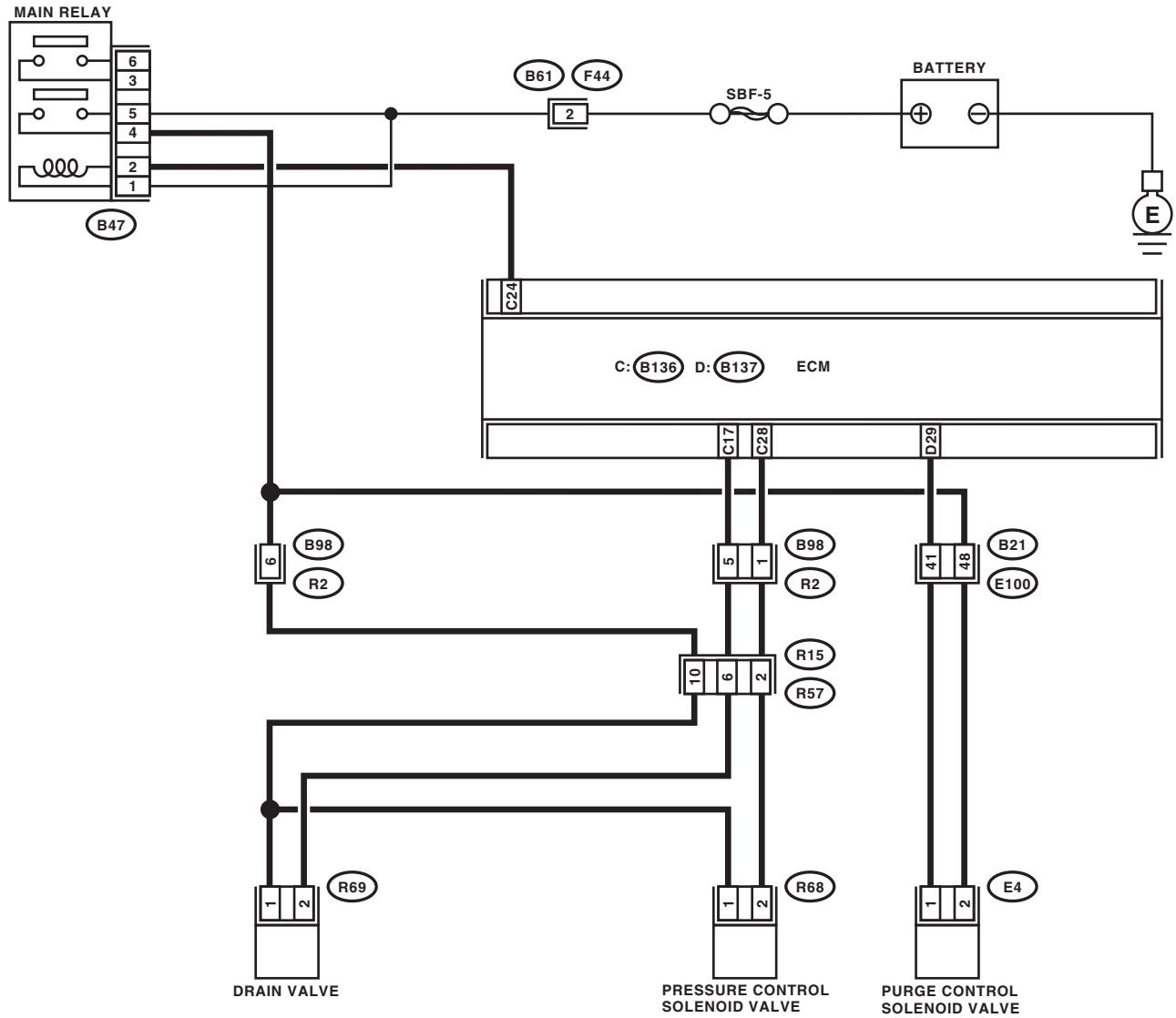
CAUTION:

After repair or replacement of faulty parts, conduct Clear Memory Mode <Ref. to EN(H4SO)(diag)-46, OPERATION, Clear Memory Mode.> and Inspection Mode <Ref. to EN(H4SO)(diag)-36, PROCEDURE, Inspection Mode.>.

Diagnostic Procedure with Diagnostic Trouble Code (DTC)

ENGINE (DIAGNOSTICS)

WIRING DIAGRAM:



EN-04188

Diagnostic Procedure with Diagnostic Trouble Code (DTC)

ENGINE (DIAGNOSTICS)

Step	Check	Yes	No
1	CHECK ANY OTHER DTC ON DISPLAY.	Is any other DTC displayed?	Inspect the relevant DTC using "List of Diagnostic Trouble Code (DTC)". <Ref. to EN(H4SO)(diag)-73, List of Diagnostic Trouble Code (DTC).>
2	CHECK FUEL FILLER CAP. 1) Turn ignition switch to OFF. 2) Check the fuel filler cap. NOTE: The DTC is stored in memory if fuel filler cap is or was loose or if the cap chain was caught while tightening.	Is the fuel filler cap tightened securely?	Go to step 3. Tighten fuel filler cap securely.
3	CHECK FUEL FILLER CAP.	Is the fuel filler cap SUBARU genuine?	Go to step 4. Replace with a genuine fuel filler cap.
4	CHECK FUEL FILLER PIPE PACKING.	Is there any damage to the seal between fuel filler cap and fuel filler pipe?	Repair or replace the fuel filler cap and fuel filler pipe. <Ref. to FU(H4SO)-46, Fuel Filler Pipe.>
5	CHECK DRAIN VALVE. 1) Connect the test mode connector. 2) Turn ignition switch to ON. 3) Operate the drain valve. NOTE: Drain valve operation can be executed using Subaru Select Monitor. For the procedure, refer to "Compulsory Valve Operation Check Mode". <Ref. to EN(H4SO)(diag)-47, Compulsory Valve Operation Check Mode.>	Does the drain valve operate?	Go to step 6. Replace the drain valve. <Ref. to EC(H4SO)-16, Drain Valve.>
6	CHECK PURGE CONTROL SOLENOID VALVE. Operate the purge control solenoid valve. NOTE: Purge control solenoid valve operation can be executed using Subaru Select Monitor. For the procedure, refer to "Compulsory Valve Operation Check Mode". <Ref. to EN(H4SO)(diag)-47, Compulsory Valve Operation Check Mode.>	Does the purge control solenoid valve operate?	Go to step 7. Replace the purge control solenoid valve. <Ref. to EC(H4SO)-7, Purge Control Solenoid Valve.>
7	CHECK PRESSURE CONTROL SOLENOID VALVE. Operate the pressure control solenoid valve. NOTE: Pressure control solenoid valve operation can be executed using Subaru Select Monitor. For the procedure, refer to "Compulsory Valve Operation Check Mode". <Ref. to EN(H4SO)(diag)-47, Compulsory Valve Operation Check Mode.>	Does the pressure control solenoid valve operate?	Go to step 8. Replace the pressure control solenoid valve. <Ref. to EC(H4SO)-12, Pressure Control Solenoid Valve.>

Diagnostic Procedure with Diagnostic Trouble Code (DTC)

ENGINE (DIAGNOSTICS)

Step	Check	Yes	No
8 CHECK EVAPORATIVE EMISSION CONTROL SYSTEM LINE. Turn ignition switch to OFF.	Is there a hole of more than 1.0 mm (0.04 in) dia. on evaporation line?	Repair or replace the evaporation line. <Ref. to FU(H4SO)-57, Fuel Delivery & Evaporation Lines.>	Go to step 9 .
9 CHECK CANISTER.	Is the canister damaged or is there a hole of more than 1.0 mm (0.04 in) dia. in it?	Repair or replace the canister. <Ref. to EC(H4SO)-6, Canister.>	Go to step 10 .
10 CHECK FUEL TANK. Remove the fuel tank. <Ref. to FU(H4SO)-43, Fuel Tank.>	Is the fuel tank damaged or is there a hole of more than 1.0 mm (0.04 in) dia. in it?	Repair or replace the fuel tank. <Ref. to FU(H4SO)-43, Fuel Tank.>	Go to step 11 .
11 CHECK ANY OTHER MECHANICAL TROUBLE IN EVAPORATIVE EMISSION CONTROL SYSTEM.	Are there holes of more than 1.0 mm (0.04 in) dia., cracks, clogging, disconnections or bend of hoses or pipes in evaporative emission control system?	Repair or replace the hoses or pipes.	Contact your SOA Service Center since deterioration of some parts may be the cause.

Diagnostic Procedure with Diagnostic Trouble Code (DTC)

ENGINE (DIAGNOSTICS)

BG:DTC P0447 EVAPORATIVE EMISSION CONTROL SYSTEM VENT CONTROL CIRCUIT OPEN

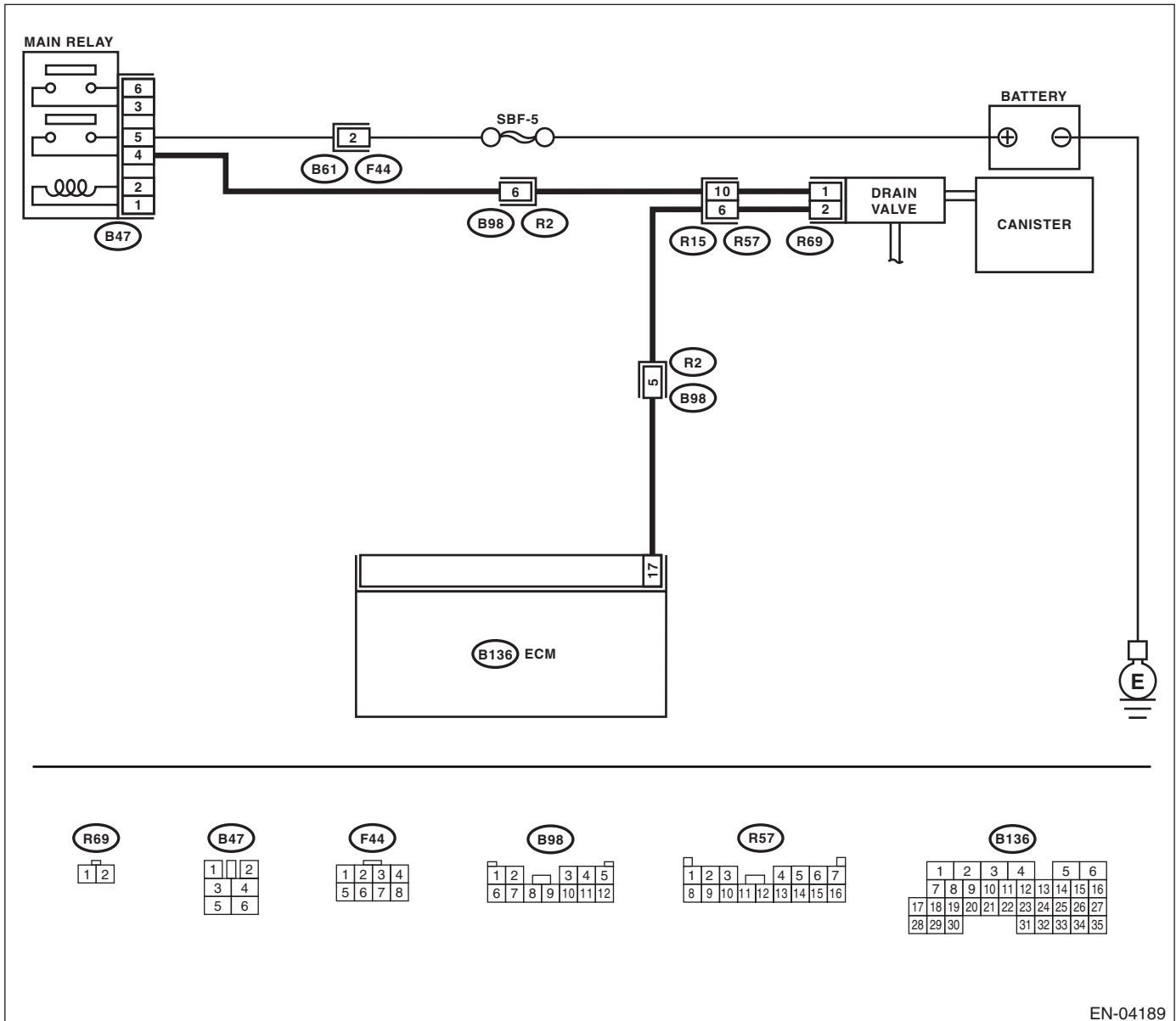
DTC DETECTING CONDITION:

- Two consecutive driving cycles with fault
- GENERAL DESCRIPTION <Ref. to GD(H4SO)-116, DTC P0447 EVAPORATIVE EMISSION CONTROL SYSTEM VENT CONTROL CIRCUIT OPEN, Diagnostic Trouble Code (DTC) Detecting Criteria.>

CAUTION:

After repair or replacement of faulty parts, conduct Clear Memory Mode <Ref. to EN(H4SO)(diag)-46, OPERATION, Clear Memory Mode.> and Inspection Mode <Ref. to EN(H4SO)(diag)-36, PROCEDURE, Inspection Mode.>.

WIRING DIAGRAM:



EN-04189

Diagnostic Procedure with Diagnostic Trouble Code (DTC)

ENGINE (DIAGNOSTICS)

Step	Check	Yes	No
1 CHECK OUTPUT SIGNAL FROM ECM. 1) Turn ignition switch to ON. 2) Measure the voltage between ECM and chassis ground. <i>Connector & terminal</i> <i>(B136) No. 17 (+) — Chassis ground (-):</i>	Is the voltage more than 10 V?	Go to step 2.	Go to step 3.
2 CHECK FOR POOR CONTACT. Check for poor contact in ECM connector.	Is there poor contact in ECM connector?	Repair poor contact in ECM connector.	The malfunction indicator light may light up, however, the circuit is returned to the normal status at the moment. (However, the possibility of poor contact still remains.) NOTE: In this case, repair the following: <ul style="list-style-type: none"> • Poor contact in drain valve connector • Poor contact in ECM connector • Poor contact in coupling connector
3 CHECK HARNESS BETWEEN DRAIN VALVE AND ECM CONNECTOR. 1) Turn ignition switch to OFF. 2) Disconnect the connectors from drain valve and ECM. 3) Measure the resistance of harness between drain valve connector and chassis ground. <i>Connector & terminal</i> <i>(R69) No. 2 — Chassis ground:</i>	Is the resistance more than 1 M Ω ?	Go to step 4.	Repair short circuit to ground in harness between ECM and drain valve connector.
4 CHECK HARNESS BETWEEN DRAIN VALVE AND ECM CONNECTOR. Measure the resistance of harness between ECM and drain valve connector. <i>Connector & terminal</i> <i>(B136) No. 17 — (R69) No. 2:</i>	Is the resistance less than 1 Ω ?	Go to step 5.	Repair harness and connector. NOTE: In this case, repair the following: <ul style="list-style-type: none"> • Open circuit in harness between ECM and drain valve connector • Poor contact in coupling connector
5 CHECK DRAIN VALVE. Measure the resistance between drain valve terminals. <i>Terminals</i> <i>No. 1 — No. 2:</i>	Is the resistance 10 — 100 Ω ?	Go to step 6.	Replace the drain valve. <Ref. to EC(H4SO)-16, Drain Valve.>

Diagnostic Procedure with Diagnostic Trouble Code (DTC)

ENGINE (DIAGNOSTICS)

Step	Check	Yes	No
6 CHECK POWER SUPPLY TO DRAIN VALVE. 1) Turn ignition switch to ON. 2) Measure the voltage between drain valve and chassis ground. Connector & terminal (R69) No. 1 (+) — Chassis ground (-):	Is the voltage more than 10 V?	Go to step 7.	Repair harness and connector. NOTE: In this case, repair the following: <ul style="list-style-type: none">• Open circuit in harness between main relay and drain valve• Poor contact in coupling connector• Poor contact in main relay connector
7 CHECK FOR POOR CONTACT. Check for poor contact in drain valve connector.	Is there poor contact in drain valve connector?	Repair poor contact in drain valve connector.	Contact your SOA Service Center since deterioration of some parts may be the cause.

Diagnostic Procedure with Diagnostic Trouble Code (DTC)

ENGINE (DIAGNOSTICS)

BH:DTC P0448 EVAPORATIVE EMISSION CONTROL SYSTEM VENT CONTROL CIRCUIT SHORTED

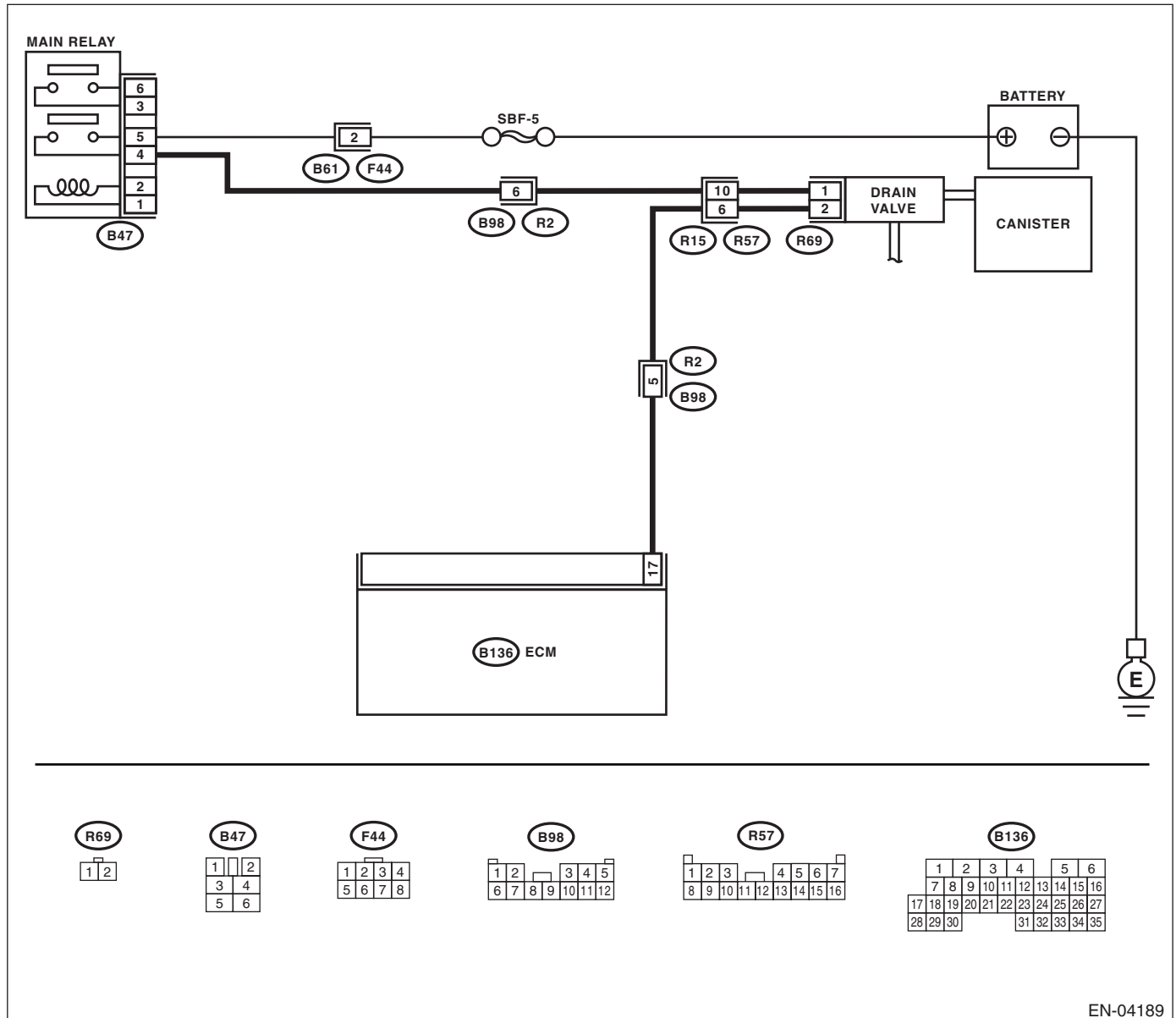
DTC DETECTING CONDITION:

- Two consecutive driving cycles with fault
- GENERAL DESCRIPTION <Ref. to GD(H4SO)-118, DTC P0448 EVAPORATIVE EMISSION CONTROL SYSTEM VENT CONTROL CIRCUIT SHORTED, Diagnostic Trouble Code (DTC) Detecting Criteria.>

CAUTION:

After repair or replacement of faulty parts, conduct Clear Memory Mode <Ref. to EN(H4SO)(diag)-46, OPERATION, Clear Memory Mode.> and Inspection Mode <Ref. to EN(H4SO)(diag)-36, PROCEDURE, Inspection Mode.>.

WIRING DIAGRAM:



EN-04189

Diagnostic Procedure with Diagnostic Trouble Code (DTC)

ENGINE (DIAGNOSTICS)

Step	Check	Yes	No
1 CHECK INPUT SIGNAL FOR ECM. 1) Turn ignition switch to OFF. 2) Connect the test mode connector at the lower portion of instrument panel (on the driver's side). 3) Turn ignition switch to ON. 4) While operating the drain valve, measure voltage between ECM and chassis ground. NOTE: Drain valve operation can be executed using Subaru Select Monitor. For the procedure, refer to "Compulsory Valve Operation Check Mode". <Ref. to EN(H4SO)(diag)-47, Compulsory Valve Operation Check Mode.> Connector & terminal (B136) No. 17 (+) — Chassis ground (-):	Is the voltage 0 — 10 V?	Go to step 2.	The malfunction indicator light may light up, however, the circuit is returned to the normal status at the moment. In this case, repair poor contact in ECM connector.
2 CHECK INPUT SIGNAL FOR ECM. 1) Turn ignition switch to ON. 2) Measure the voltage between ECM and chassis ground. Connector & terminal (B136) No. 17 (+) — Chassis ground (-):	Is the voltage more than 10 V?	Go to step 4.	Go to step 3.
3 CHECK FOR POOR CONTACT. Check for poor contact in ECM connector.	Is there poor contact in ECM connector?	Repair poor contact in ECM connector.	Replace the ECM. <Ref. to FU(H4SO)-38, Engine Control Module (ECM).>
4 CHECK HARNESS BETWEEN DRAIN VALVE AND ECM CONNECTOR. 1) Turn ignition switch to OFF. 2) Disconnect the connector from drain valve. 3) Turn ignition switch to ON. 4) Measure the voltage between ECM and chassis ground. Connector & terminal (B136) No. 17 (+) — Chassis ground (-):	Is the voltage more than 10 V?	Repair short circuit to battery in harness between ECM and drain valve connector. After repair, replace the ECM. <Ref. to FU(H4SO)-38, Engine Control Module (ECM).>	Go to step 5.
5 CHECK DRAIN VALVE. 1) Turn ignition switch to OFF. 2) Measure the resistance between drain valve terminals. Terminals No. 1 — No. 2:	Is the resistance less than 1 Ω ?	Replace the drain valve <Ref. to EC(H4SO)-16, Drain Valve.> and ECM <Ref. to FU(H4SO)-38, Engine Control Module (ECM).>.	Go to step 6.
6 CHECK FOR POOR CONTACT. Check for poor contact in ECM connector.	Is there poor contact in ECM connector?	Repair poor contact in ECM connector.	Replace the ECM. <Ref. to FU(H4SO)-38, Engine Control Module (ECM).>

Diagnostic Procedure with Diagnostic Trouble Code (DTC)

ENGINE (DIAGNOSTICS)

BI: DTC P0451 EVAPORATIVE EMISSION CONTROL SYSTEM PRESSURE SENSOR RANGE/PERFORMANCE

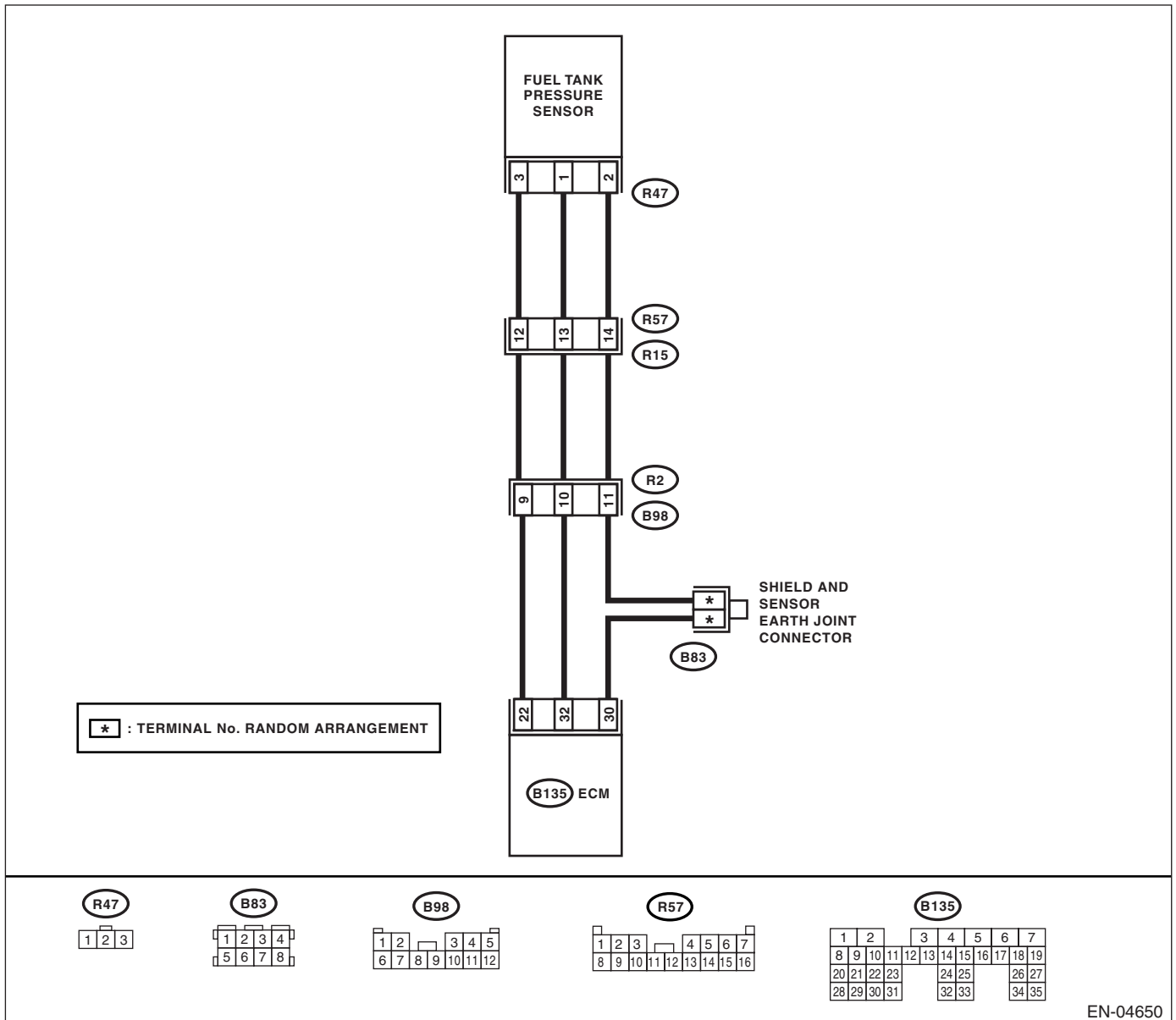
DTC DETECTING CONDITION:

- Two consecutive driving cycles with fault
- GENERAL DESCRIPTION <Ref. to GD(H4SO)-120, DTC P0451 EVAPORATIVE EMISSION CONTROL SYSTEM PRESSURE SENSOR RANGE/PERFORMANCE, Diagnostic Trouble Code (DTC) Detecting Criteria.>

CAUTION:

After repair or replacement of faulty parts, conduct Clear Memory Mode <Ref. to EN(H4SO)(diag)-46, OPERATION, Clear Memory Mode.> and Inspection Mode <Ref. to EN(H4SO)(diag)-36, PROCEDURE, Inspection Mode.>.

WIRING DIAGRAM:



EN-04650

Diagnostic Procedure with Diagnostic Trouble Code (DTC)

ENGINE (DIAGNOSTICS)

Step	Check	Yes	No
1 CHECK ANY OTHER DTC ON DISPLAY.	Is any other DTC displayed?	Inspect the relevant DTC using "List of Diagnostic Trouble Code (DTC)". <Ref. to EN(H4SO)(diag)-73, List of Diagnostic Trouble Code (DTC).>	Go to step 2 .
2 CHECK FUEL FILLER CAP. 1) Turn ignition switch to OFF. 2) Open the fuel filler flap lid.	Is the fuel filler cap tightened securely?	Go to step 3 .	Tighten fuel filler cap securely.
3 CHECK PRESSURE/VACUUM LINE. NOTE: Check the following items. <ul style="list-style-type: none">• Disconnection, leakage and clogging of the vacuum hoses and pipes between fuel tank pressure sensor and fuel tank• Disconnection, leakage and clogging of air ventilation hoses and pipes between fuel filler pipe and fuel tank	Is there a fault in pressure/vacuum line?	Repair or replace the hoses and pipes.	Replace the fuel tank pressure sensor. <Ref. to EC(H4SO)-11, Fuel Tank Pressure Sensor.>

Diagnostic Procedure with Diagnostic Trouble Code (DTC)

ENGINE (DIAGNOSTICS)

BJ:DTC P0452 EVAPORATIVE EMISSION CONTROL SYSTEM PRESSURE SENSOR LOW INPUT

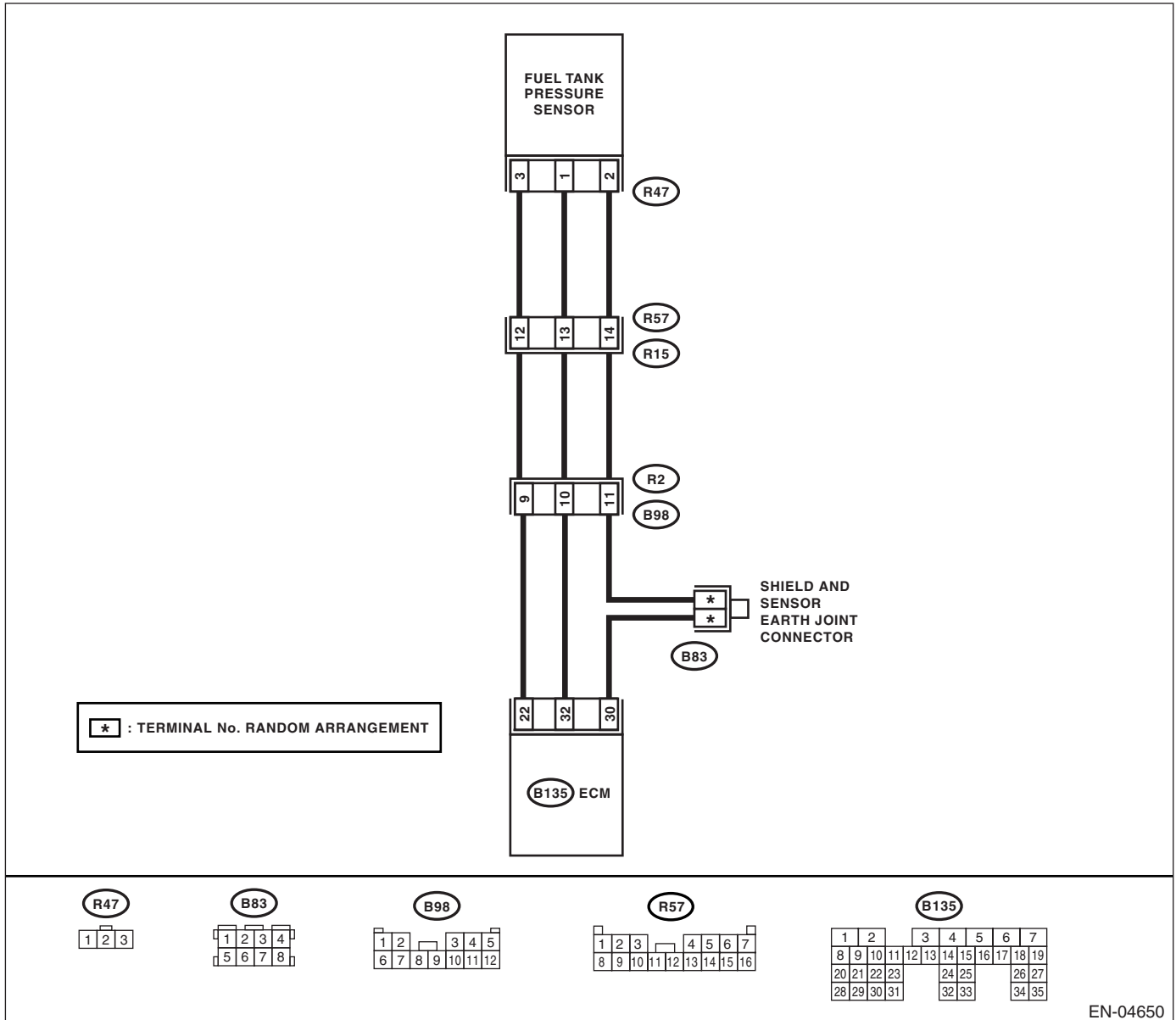
DTC DETECTING CONDITION:

- Two consecutive driving cycles with fault
- GENERAL DESCRIPTION <Ref. to GD(H4SO)-122, DTC P0452 EVAPORATIVE EMISSION CONTROL SYSTEM PRESSURE SENSOR LOW INPUT, Diagnostic Trouble Code (DTC) Detecting Criteria.>

CAUTION:

After repair or replacement of faulty parts, conduct Clear Memory Mode <Ref. to EN(H4SO)(diag)-46, OPERATION, Clear Memory Mode.> and Inspection Mode <Ref. to EN(H4SO)(diag)-36, PROCEDURE, Inspection Mode.>.

WIRING DIAGRAM:



EN-04650

Diagnostic Procedure with Diagnostic Trouble Code (DTC)

ENGINE (DIAGNOSTICS)

Step	Check	Yes	No
<p>1</p> <p>CHECK CURRENT DATA.</p> <ol style="list-style-type: none"> 1) Turn ignition switch to OFF. 2) Remove the fuel filler cap. 3) Install the fuel filler cap. 4) Turn ignition switch to ON. 5) Read the data of fuel tank pressure sensor signal using Subaru Select Monitor or the general scan tool. <p>NOTE:</p> <ul style="list-style-type: none"> • Subaru Select Monitor <p>For detailed operation procedures, refer to "READ CURRENT DATA FOR ENGINE". <Ref. to EN(H4SO)(diag)-28, Subaru Select Monitor.></p> <ul style="list-style-type: none"> • General scan tool <p>For detailed operation procedures, refer to the General Scan Tool Instruction Manual.</p>	<p>Is the measured value less than -2.8 kPa (-21.0 mmHg, -0.827 inHg)?</p>	<p>Go to step 2.</p>	<p>The malfunction indicator light may light up, however, the circuit is returned to the normal status at the moment.</p>
<p>2</p> <p>CHECK POWER SUPPLY TO FUEL TANK PRESSURE SENSOR.</p> <p>Measure the voltage between ECM connector and chassis ground.</p> <p>Connector & terminal (B135) No. 22 (+) — Chassis ground (-):</p>	<p>Is the voltage more than 4.5 V?</p>	<p>Go to step 4.</p>	<p>Go to step 3.</p>
<p>3</p> <p>CHECK POWER SUPPLY TO FUEL TANK PRESSURE SENSOR.</p> <p>Measure the voltage between ECM connector and chassis ground.</p> <p>Connector & terminal (B135) No. 22 (+) — Chassis ground (-):</p>	<p>Does the voltage change by shaking the ECM harness and connector?</p>	<p>Repair poor contact in ECM connector.</p>	<p>Contact your SOA Service Center since deterioration of some parts may be the cause.</p>
<p>4</p> <p>CHECK INPUT SIGNAL FOR ECM.</p> <p>Measure the voltage between ECM and chassis ground.</p> <p>Connector & terminal (B135) No. 32 (+) — Chassis ground (-):</p>	<p>Is the voltage less than 0.2 V?</p>	<p>Go to step 6.</p>	<p>Go to step 5.</p>
<p>5</p> <p>CHECK INPUT SIGNAL FOR ECM. (USING SUBARU SELECT MONITOR.)</p> <p>Read the data of fuel tank pressure sensor signal using Subaru Select Monitor.</p> <p>NOTE:</p> <ul style="list-style-type: none"> • Subaru Select Monitor <p>For detailed operation procedures, refer to "READ CURRENT DATA FOR ENGINE". <Ref. to EN(H4SO)(diag)-28, Subaru Select Monitor.></p>	<p>Does the measured value change by shaking the ECM harness and connector?</p>	<p>Repair poor contact in ECM connector.</p>	<p>Go to step 6.</p>
<p>6</p> <p>CHECK HARNESS BETWEEN ECM AND COUPLING CONNECTOR IN REAR WIRING HARNESS.</p> <ol style="list-style-type: none"> 1) Turn ignition switch to OFF. 2) Remove the rear seat cushion. 3) Separate rear wiring harness and fuel tank cord. 4) Turn ignition switch to ON. 5) Measure the voltage between rear wiring harness connector and chassis ground. <p>Connector & terminal (R15) No. 12 (+) — Chassis ground (-):</p>	<p>Is the voltage more than 4.5 V?</p>	<p>Go to step 7.</p>	<p>Repair harness and connector.</p> <p>NOTE:</p> <p>In this case, repair the following:</p> <ul style="list-style-type: none"> • Open circuit in harness between ECM and rear wiring harness connector • Poor contact in coupling connector

Diagnostic Procedure with Diagnostic Trouble Code (DTC)

ENGINE (DIAGNOSTICS)

Step	Check	Yes	No
<p>7</p> <p>CHECK HARNESS BETWEEN ECM AND COUPLING CONNECTOR IN REAR WIRING HARNESS. 1) Turn ignition switch to OFF. 2) Disconnect the connector from ECM. 3) Measure the resistance of harness between ECM and rear wiring harness connector.</p> <p>Connector & terminal (B135) No. 30 — (R15) No. 14:</p>	<p>Is the resistance less than 1 Ω?</p>	<p>Go to step 8.</p>	<p>Repair harness and connector.</p> <p>NOTE: In this case, repair the following:</p> <ul style="list-style-type: none"> • Open circuit in harness between ECM and rear wiring harness connector • Poor contact in coupling connector • Poor contact in joint connector
<p>8</p> <p>CHECK HARNESS BETWEEN ECM AND COUPLING CONNECTOR IN REAR WIRING HARNESS. Measure the resistance of harness between rear wiring harness connector and chassis ground.</p> <p>Connector & terminal (R15) No. 14 — Chassis ground:</p>	<p>Is the resistance more than 1 $M\Omega$?</p>	<p>Go to step 9.</p>	<p>Repair short circuit to ground in harness between ECM and rear wiring harness connector.</p>
<p>9</p> <p>CHECK FUEL TANK CORD. 1) Disconnect the connector from fuel tank pressure sensor. 2) Measure the resistance of fuel tank cord.</p> <p>Connector & terminal (R57) No. 12 — (R47) No. 3:</p>	<p>Is the resistance less than 1 Ω?</p>	<p>Go to step 10.</p>	<p>Repair open circuit in fuel tank cord.</p>
<p>10</p> <p>CHECK FUEL TANK CORD. Measure the resistance of fuel tank cord.</p> <p>Connector & terminal (R57) No. 14 — (R47) No. 2:</p>	<p>Is the resistance less than 1 Ω?</p>	<p>Go to step 11.</p>	<p>Repair open circuit in fuel tank cord.</p>
<p>11</p> <p>CHECK FUEL TANK CORD. Measure the resistance of harness between fuel tank pressure sensor connector and engine ground.</p> <p>Connector & terminal (R47) No. 1 — Chassis ground:</p>	<p>Is the resistance more than 1 $M\Omega$?</p>	<p>Go to step 12.</p>	<p>Repair short circuit to ground in fuel tank cord.</p>
<p>12</p> <p>CHECK FOR POOR CONTACT. Check for poor contact in fuel tank pressure sensor connector.</p>	<p>Is there poor contact in fuel tank pressure sensor connector?</p>	<p>Repair poor contact in fuel tank pressure sensor connector.</p>	<p>Replace the fuel tank pressure sensor. <Ref. to EC(H4SO)-11, Fuel Tank Pressure Sensor.></p>

BK:DTC P0453 EVAPORATIVE EMISSION CONTROL SYSTEM PRESSURE SENSOR HIGH INPUT

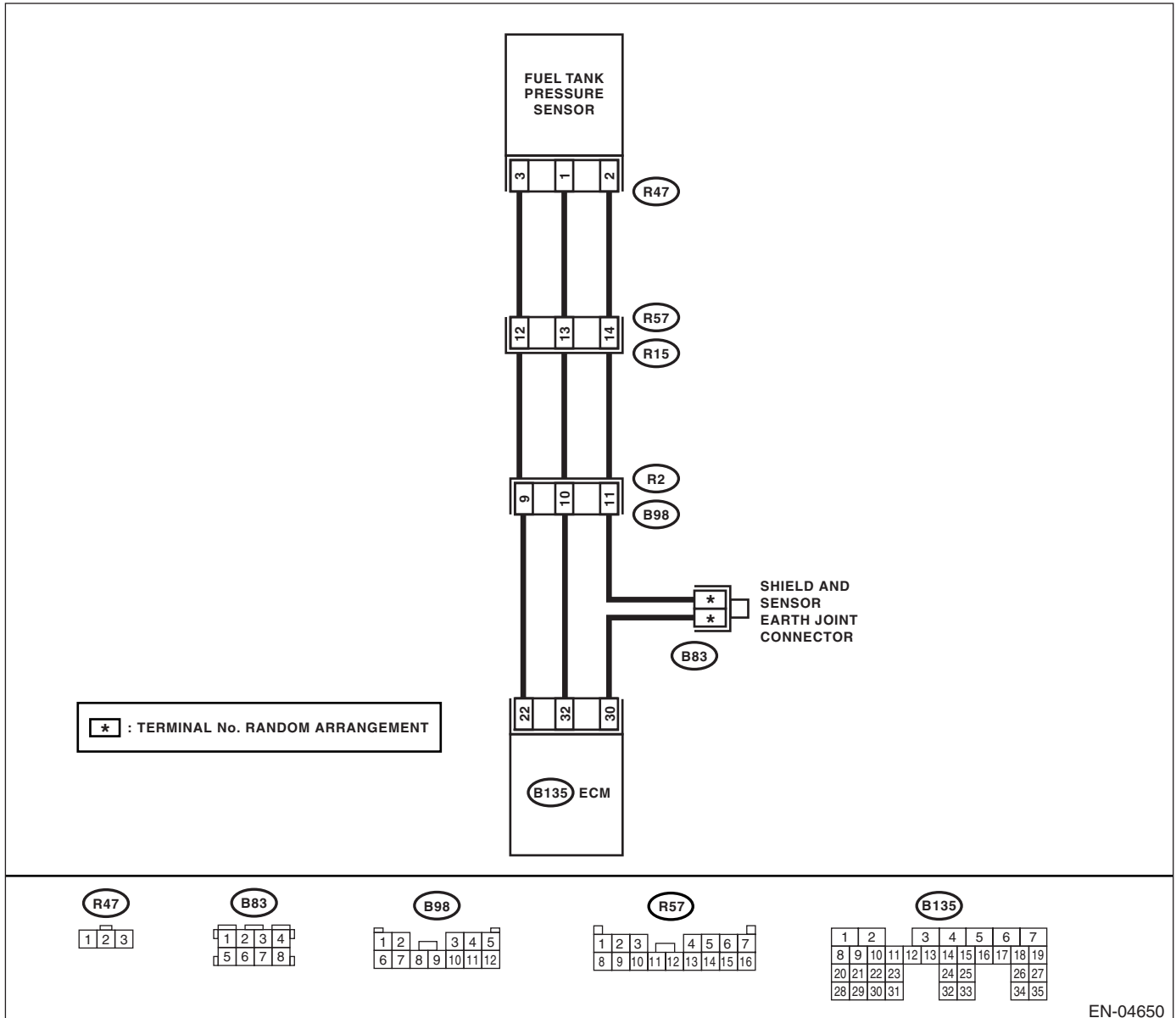
DTC DETECTING CONDITION:

- Two consecutive driving cycles with fault
- GENERAL DESCRIPTION <Ref. to GD(H4SO)-124, DTC P0453 EVAPORATIVE EMISSION CONTROL SYSTEM PRESSURE SENSOR HIGH INPUT, Diagnostic Trouble Code (DTC) Detecting Criteria.>

CAUTION:

After repair or replacement of faulty parts, conduct Clear Memory Mode <Ref. to EN(H4SO)(diag)-46, OPERATION, Clear Memory Mode.> and Inspection Mode <Ref. to EN(H4SO)(diag)-36, PROCEDURE, Inspection Mode.>.

WIRING DIAGRAM:



Diagnostic Procedure with Diagnostic Trouble Code (DTC)

ENGINE (DIAGNOSTICS)

Step	Check	Yes	No
1 CHECK CURRENT DATA. 1) Turn ignition switch to OFF. 2) Remove the fuel filler cap. 3) Install the fuel filler cap. 4) Turn ignition switch to ON. 5) Read the data of fuel tank pressure sensor signal using Subaru Select Monitor or the general scan tool. NOTE: <ul style="list-style-type: none"> • Subaru Select Monitor For detailed operation procedures, refer to "READ CURRENT DATA FOR ENGINE". <Ref. to EN(H4SO)(diag)-28, Subaru Select Monitor.> <ul style="list-style-type: none"> • General scan tool For detailed operation procedures, refer to the General Scan Tool Instruction Manual.	Is the measured value more than 2.8 kPa (21.0 mmHg, 0.827 inHg)?	Go to step 11.	Go to step 2.
2 CHECK POWER SUPPLY TO FUEL TANK PRESSURE SENSOR. Measure the voltage between ECM connector and chassis ground. Connector & terminal (B135) No. 22 (+) — Chassis ground (-):	Is the voltage more than 4.5 V?	Go to step 4.	Go to step 3.
3 CHECK POWER SUPPLY TO FUEL TANK PRESSURE SENSOR. Measure the voltage between ECM connector and chassis ground. Connector & terminal (B135) No. 22 (+) — Chassis ground (-):	Does the voltage change by shaking the ECM harness and connector?	Repair poor contact in ECM connector.	Replace the ECM. <Ref. to FU(H4SO)-38, Engine Control Module (ECM).>
4 CHECK INPUT SIGNAL FOR ECM. Measure the voltage between ECM and chassis ground. Connector & terminal (B135) No. 32 (+) — Chassis ground (-):	Is the voltage less than 0.2 V?	Go to step 6.	Go to step 5.
5 CHECK INPUT SIGNAL FOR ECM. (USING SUBARU SELECT MONITOR.) Read the data of fuel tank pressure sensor signal using Subaru Select Monitor. NOTE: <ul style="list-style-type: none"> • Subaru Select Monitor For detailed operation procedures, refer to "READ CURRENT DATA FOR ENGINE". <Ref. to EN(H4SO)(diag)-28, Subaru Select Monitor.>	Does the measured value change by shaking the ECM harness and connector?	Repair poor contact in ECM connector.	Go to step 6.
6 CHECK HARNESS BETWEEN ECM AND COUPLING CONNECTOR IN REAR WIRING HARNESS. 1) Turn ignition switch to OFF. 2) Remove the rear seat cushion. 3) Separate rear wiring harness and fuel tank cord. 4) Turn ignition switch to ON. 5) Measure the voltage between rear wiring harness connector and chassis ground. Connector & terminal (R15) No. 12 (+) — Chassis ground (-):	Is the voltage more than 4.5 V?	Go to step 7.	Repair harness and connector. NOTE: In this case, repair the following: <ul style="list-style-type: none"> • Open circuit in harness between ECM and rear wiring harness connector • Poor contact in coupling connector

Diagnostic Procedure with Diagnostic Trouble Code (DTC)

ENGINE (DIAGNOSTICS)

Step	Check	Yes	No
<p>7 CHECK HARNESS BETWEEN ECM AND COUPLING CONNECTOR IN REAR WIRING HARNESS. 1) Turn ignition switch to OFF. 2) Disconnect the connector from ECM. 3) Measure the resistance of harness between ECM and rear wiring harness connector.</p> <p>Connector & terminal (B135) No. 32 — (R15) No. 13: (B135) No. 30 — (R15) No. 14:</p>	<p>Is the resistance less than 1 Ω?</p>	<p>Go to step 8.</p>	<p>Repair harness and connector.</p> <p>NOTE: In this case, repair the following:</p> <ul style="list-style-type: none"> • Open circuit in harness between ECM and rear wiring harness connector • Poor contact in coupling connector
<p>8 CHECK FUEL TANK CORD. 1) Disconnect the connector from fuel tank pressure sensor. 2) Measure the resistance of fuel tank cord.</p> <p>Connector & terminal (R57) No. 13 — (R47) No. 1:</p>	<p>Is the resistance less than 1 Ω?</p>	<p>Go to step 9.</p>	<p>Repair open circuit in fuel tank cord.</p>
<p>9 CHECK FUEL TANK CORD. Measure the resistance of fuel tank cord.</p> <p>Connector & terminal (R57) No. 14 — (R47) No. 2:</p>	<p>Is the resistance less than 1 Ω?</p>	<p>Go to step 10.</p>	<p>Repair open circuit in fuel tank cord.</p>
<p>10 CHECK FOR POOR CONTACT. Check for poor contact in fuel tank pressure sensor connector.</p>	<p>Is there poor contact in fuel tank pressure sensor connector?</p>	<p>Repair poor contact in fuel tank pressure sensor connector.</p>	<p>Replace the fuel tank pressure sensor. <Ref. to EC(H4SO)-11, Fuel Tank Pressure Sensor.></p>
<p>11 CHECK HARNESS BETWEEN ECM AND FUEL TANK PRESSURE SENSOR CONNECTOR. 1) Turn ignition switch to OFF. 2) Disconnect the connector from fuel tank pressure sensor. 3) Turn ignition switch to ON. 4) Read the data of fuel tank pressure sensor signal using Subaru Select Monitor or the general scan tool.</p> <p>NOTE:</p> <ul style="list-style-type: none"> • Subaru Select Monitor For detailed operation procedures, refer to "READ CURRENT DATA FOR ENGINE". <Ref. to EN(H4SO)(diag)-28, Subaru Select Monitor.> • General scan tool For detailed operation procedures, refer to the General Scan Tool Instruction Manual. 	<p>Is the measured value more than 2.8 kPa (21.0 mmHg, 0.827 inHg)?</p>	<p>Repair short circuit to battery in harness between ECM and fuel tank pressure sensor connector.</p>	<p>Replace the fuel tank pressure sensor. <Ref. to EC(H4SO)-11, Fuel Tank Pressure Sensor.></p>

Diagnostic Procedure with Diagnostic Trouble Code (DTC)

ENGINE (DIAGNOSTICS)

BL:DTC P0456 EVAPORATIVE EMISSION CONTROL SYSTEM LEAK DETECTED (VERY SMALL LEAK)

DTC DETECTING CONDITION:

- Two consecutive driving cycles with fault
- GENERAL DESCRIPTION <Ref. to GD(H4SO)-125, DTC P0456 EVAPORATIVE EMISSION CONTROL SYSTEM LEAK DETECTED (VERY SMALL LEAK), Diagnostic Trouble Code (DTC) Detecting Criteria.>

TROUBLE SYMPTOM:

- Fuel odor
- There is a hole of more than 0.5 mm (0.020 in) dia. in evaporation system or fuel tank.

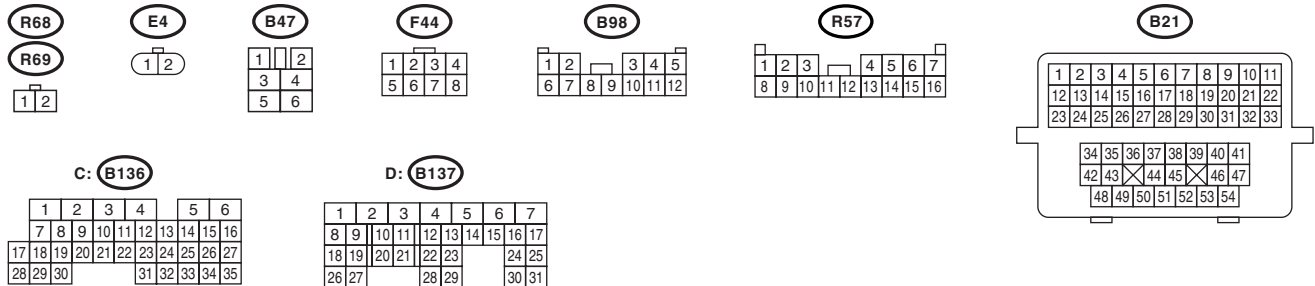
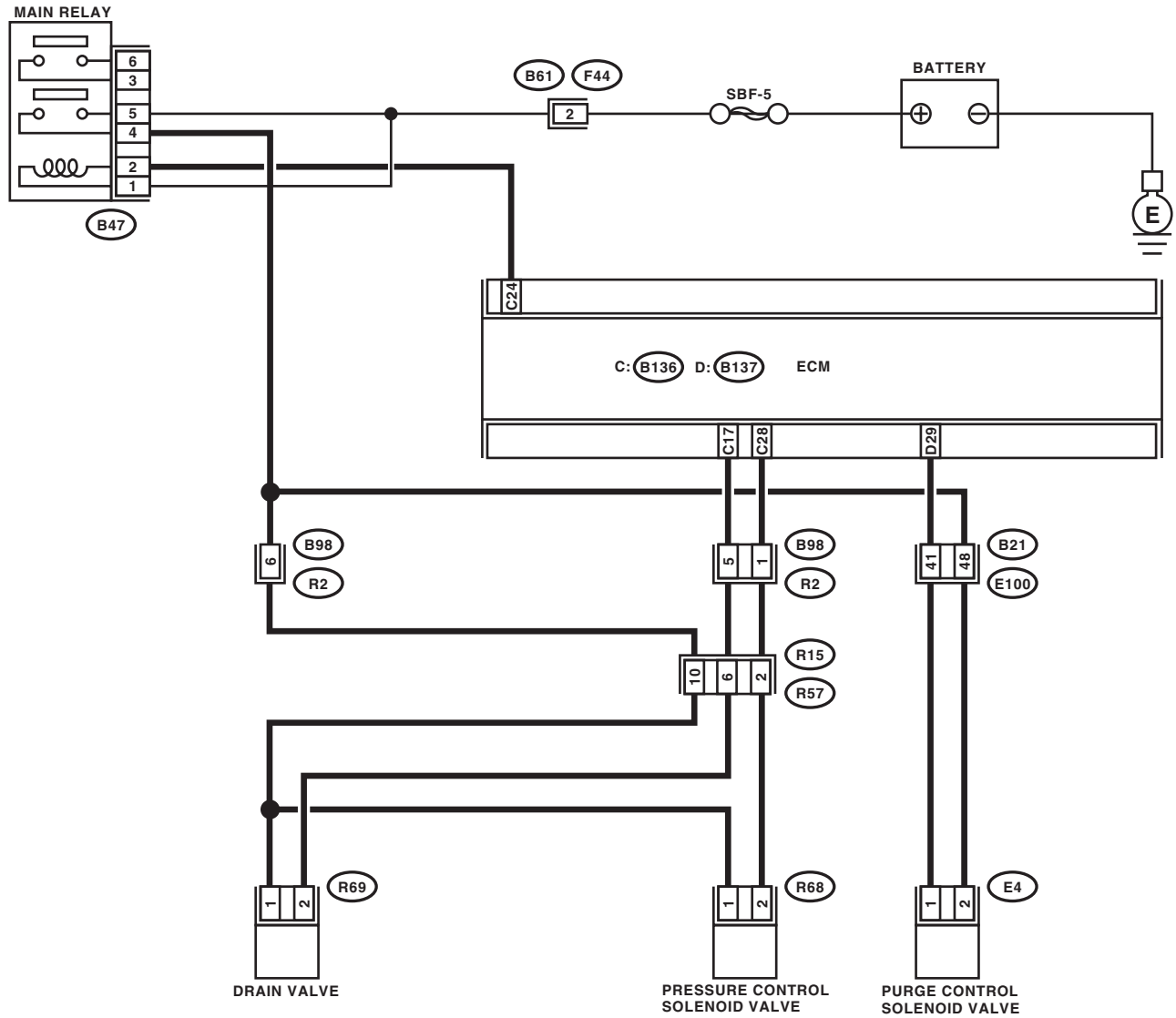
CAUTION:

After repair or replacement of faulty parts, conduct Clear Memory Mode <Ref. to EN(H4SO)(diag)-46, OPERATION, Clear Memory Mode.> and Inspection Mode <Ref. to EN(H4SO)(diag)-36, PROCEDURE, Inspection Mode.>.

Diagnostic Procedure with Diagnostic Trouble Code (DTC)

ENGINE (DIAGNOSTICS)

WIRING DIAGRAM:



EN-04188

Diagnostic Procedure with Diagnostic Trouble Code (DTC)

ENGINE (DIAGNOSTICS)

Step	Check	Yes	No
1	CHECK ANY OTHER DTC ON DISPLAY.	Is any other DTC displayed?	Inspect the relevant DTC using "List of Diagnostic Trouble Code (DTC)". <Ref. to EN(H4SO)(diag)-73, List of Diagnostic Trouble Code (DTC).>
2	CHECK FUEL FILLER CAP. 1) Turn ignition switch to OFF. 2) Check the fuel filler cap. NOTE: The DTC is stored in memory if fuel filler cap is or was loose or if the cap chain was caught while tightening.	Is the fuel filler cap tightened securely?	Go to step 3. Tighten fuel filler cap securely.
3	CHECK FUEL FILLER CAP.	Is the fuel filler cap SUBARU genuine?	Go to step 4. Replace with a SUBARU genuine fuel filler cap.
4	CHECK FUEL FILLER PIPE PACKING.	Is there any damage to the seal between fuel filler cap and fuel filler pipe?	Repair or replace the fuel filler cap and fuel filler pipe. <Ref. to FU(H4SO)-46, Fuel Filler Pipe.>
5	CHECK DRAIN VALVE. 1) Connect the test mode connector. 2) Turn ignition switch to ON. 3) Operate the drain valve. NOTE: Drain valve operation can be executed using Subaru Select Monitor. For the procedure, refer to "Compulsory Valve Operation Check Mode". <Ref. to EN(H4SO)(diag)-47, Compulsory Valve Operation Check Mode.>	Does the drain valve operate?	Go to step 6. Replace the drain valve. <Ref. to EC(H4SO)-16, Drain Valve.>
6	CHECK PURGE CONTROL SOLENOID VALVE. Operate the purge control solenoid valve. NOTE: Purge control solenoid valve operation can be executed using Subaru Select Monitor. For the procedure, refer to "Compulsory Valve Operation Check Mode". <Ref. to EN(H4SO)(diag)-47, Compulsory Valve Operation Check Mode.>	Does the purge control solenoid valve operate?	Go to step 7. Replace the purge control solenoid valve. <Ref. to EC(H4SO)-7, Purge Control Solenoid Valve.>
7	CHECK PRESSURE CONTROL SOLENOID VALVE. Operate the pressure control solenoid valve. NOTE: Pressure control solenoid valve operation can be executed using Subaru Select Monitor. For the procedure, refer to "Compulsory Valve Operation Check Mode". <Ref. to EN(H4SO)(diag)-47, Compulsory Valve Operation Check Mode.>	Does the pressure control solenoid valve operate?	Go to step 8. Replace the pressure control solenoid valve. <Ref. to EC(H4SO)-7, Purge Control Solenoid Valve.>

Diagnostic Procedure with Diagnostic Trouble Code (DTC)

ENGINE (DIAGNOSTICS)

Step	Check	Yes	No
8 CHECK EVAPORATIVE EMISSION CONTROL SYSTEM LINE. Turn ignition switch to OFF.	Is there a hole of more than 0.5 mm (0.020 in) dia. on evaporation line?	Repair or replace the evaporation line. <Ref. to FU(H4SO)-57, Fuel Delivery & Evaporation Lines.>	Go to step 9 .
9 CHECK CANISTER.	Is the canister damaged or is there a hole of more than 0.5 mm (0.020 in) dia. in it?	Repair or replace the canister. <Ref. to EC(H4SO)-6, Canister.>	Go to step 10 .
10 CHECK FUEL TANK. Remove the fuel tank. <Ref. to FU(H4SO)-43, Fuel Tank.>	Is the fuel tank damaged or is there a hole of more than 0.5 mm (0.020 in) dia. in it?	Repair or replace the fuel tank. <Ref. to FU(H4SO)-43, Fuel Tank.>	Go to step 11 .
11 CHECK ANY OTHER MECHANICAL TROUBLE IN EVAPORATIVE EMISSION CONTROL SYSTEM.	Are there holes of more than 0.5 mm (0.020 in) dia., cracks, clogging, disconnections or bend of hoses or pipes in evaporative emission control system?	Repair or replace the hoses or pipes.	Contact your SOA Service Center since deterioration of some parts may be the cause.

BM:DTC P0457 EVAPORATIVE EMISSION CONTROL SYSTEM LEAK DETECTED (FUEL CAP LOOSE/OFF)

DTC DETECTING CONDITION:

- Two consecutive driving cycles with fault
- GENERAL DESCRIPTION <Ref. to GD(H4SO)-101, DTC P0442 EVAPORATIVE EMISSION CONTROL SYSTEM LEAK DETECTED (SMALL LEAK), Diagnostic Trouble Code (DTC) Detecting Criteria.>

TROUBLE SYMPTOM:

- Fuel odor
- Fuel filler cap is loose or not installed.

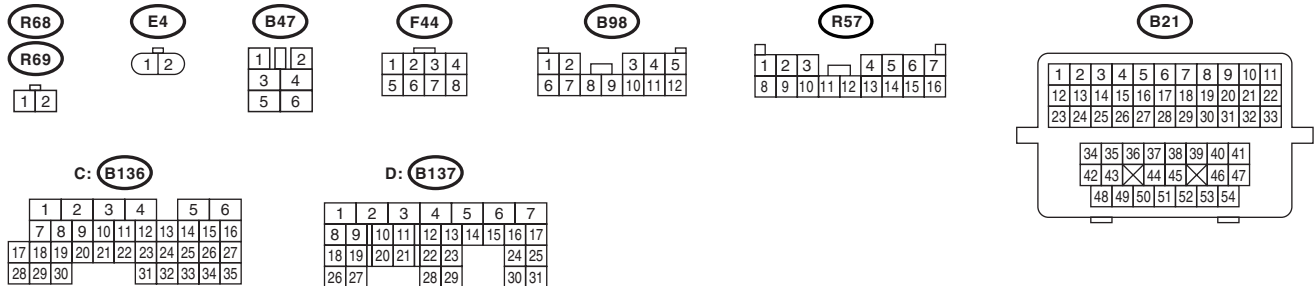
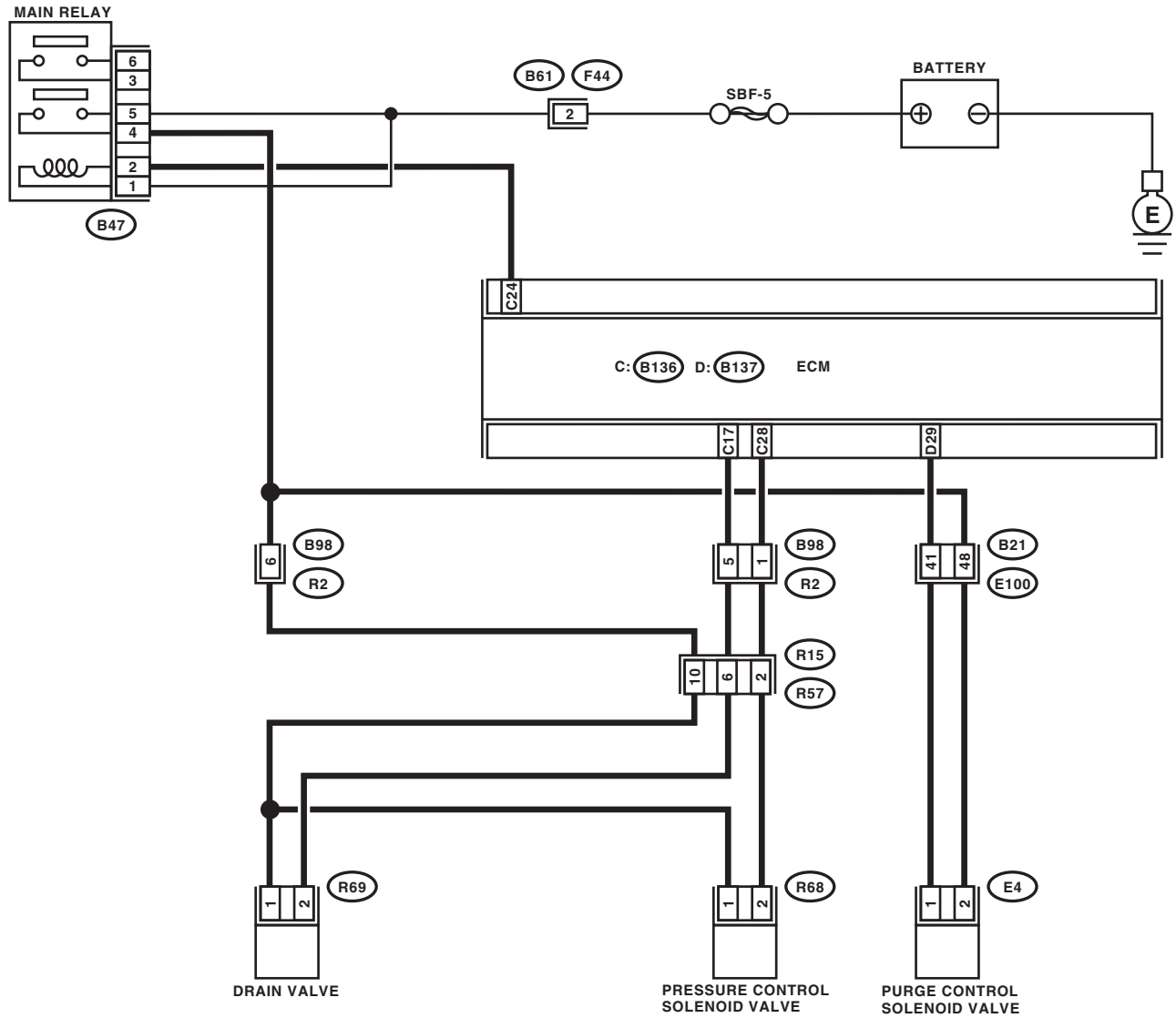
CAUTION:

After repair or replacement of faulty parts, conduct Clear Memory Mode <Ref. to EN(H4SO)(diag)-46, OPERATION, Clear Memory Mode.> and Inspection Mode <Ref. to EN(H4SO)(diag)-36, PROCEDURE, Inspection Mode.>.

Diagnostic Procedure with Diagnostic Trouble Code (DTC)

ENGINE (DIAGNOSTICS)

WIRING DIAGRAM:



EN-04188

Diagnostic Procedure with Diagnostic Trouble Code (DTC)

ENGINE (DIAGNOSTICS)

Step	Check	Yes	No
1	CHECK ANY OTHER DTC ON DISPLAY.	Is any other DTC displayed?	Inspect the relevant DTC using "List of Diagnostic Trouble Code (DTC)". <Ref. to EN(H4SO)(diag)-73, List of Diagnostic Trouble Code (DTC).>
2	CHECK FUEL FILLER CAP. 1) Turn ignition switch to OFF. 2) Check the fuel filler cap. NOTE: The DTC is stored in memory if fuel filler cap is or was loose or if the cap chain was caught while tightening.	Is the fuel filler cap tightened securely?	Go to step 3. Tighten fuel filler cap securely.
3	CHECK FUEL FILLER CAP.	Is the fuel filler cap SUBARU genuine?	Go to step 4. Replace with a SUBARU genuine fuel filler cap.
4	CHECK FUEL FILLER PIPE PACKING.	Is there any damage to the seal between fuel filler cap and fuel filler pipe?	Repair or replace the fuel filler cap and fuel filler pipe. <Ref. to FU(H4SO)-46, Fuel Filler Pipe.>
5	CHECK DRAIN VALVE. 1) Connect the test mode connector. 2) Turn ignition switch to ON. 3) Operate the drain valve. NOTE: Drain valve operation can be executed using Subaru Select Monitor. For the procedure, refer to "Compulsory Valve Operation Check Mode". <Ref. to EN(H4SO)(diag)-47, Compulsory Valve Operation Check Mode.>	Does the drain valve operate?	Go to step 6. Replace the drain valve. <Ref. to EC(H4SO)-16, Drain Valve.>
6	CHECK PURGE CONTROL SOLENOID VALVE. Operate the purge control solenoid valve. NOTE: Purge control solenoid valve operation can be executed using Subaru Select Monitor. For the procedure, refer to "Compulsory Valve Operation Check Mode". <Ref. to EN(H4SO)(diag)-47, Compulsory Valve Operation Check Mode.>	Does the purge control solenoid valve operate?	Go to step 7. Replace the purge control solenoid valve. <Ref. to EC(H4SO)-7, Purge Control Solenoid Valve.>
7	CHECK PRESSURE CONTROL SOLENOID VALVE. Operate the pressure control solenoid valve. NOTE: Pressure control solenoid valve operation can be executed using Subaru Select Monitor. For the procedure, refer to "Compulsory Valve Operation Check Mode". <Ref. to EN(H4SO)(diag)-47, Compulsory Valve Operation Check Mode.>	Does the pressure control solenoid valve operate?	Go to step 8. Replace the pressure control solenoid valve. <Ref. to EC(H4SO)-7, Purge Control Solenoid Valve.>

Diagnostic Procedure with Diagnostic Trouble Code (DTC)

ENGINE (DIAGNOSTICS)

Step	Check	Yes	No
8 CHECK CANISTER.	Is the canister damaged?	Repair or replace the canister. <Ref. to EC(H4SO)-6, Canister.>	Go to step 9 .
9 CHECK FUEL TANK. Remove the fuel tank. <Ref. to FU(H4SO)-43, Fuel Tank.>	Is the fuel tank damaged?	Repair or replace the fuel tank. <Ref. to FU(H4SO)-43, Fuel Tank.>	Go to step 10 .
10 CHECK ANY OTHER MECHANICAL TROUBLE IN EVAPORATIVE EMISSION CONTROL SYSTEM.	Are there holes of more than 0.5 mm (0.020 in) dia., cracks, clogging or disconnections of hoses or pipes in evaporative emission control system?	Repair or replace the hoses or pipes.	Contact your SOA Service Center since deterioration of some parts may be the cause.

BN:DTC P0458 EVAPORATIVE EMISSION CONTROL SYSTEM PURGE CONTROL VALVE CIRCUIT LOW

DTC DETECTING CONDITION:

- Two consecutive driving cycles with fault
- GENERAL DESCRIPTION <Ref. to GD(H4SO)-126, DTC P0458 EVAPORATIVE EMISSION CONTROL SYSTEM PURGE CONTROL VALVE CIRCUIT LOW, Diagnostic Trouble Code (DTC) Detecting Criteria.>

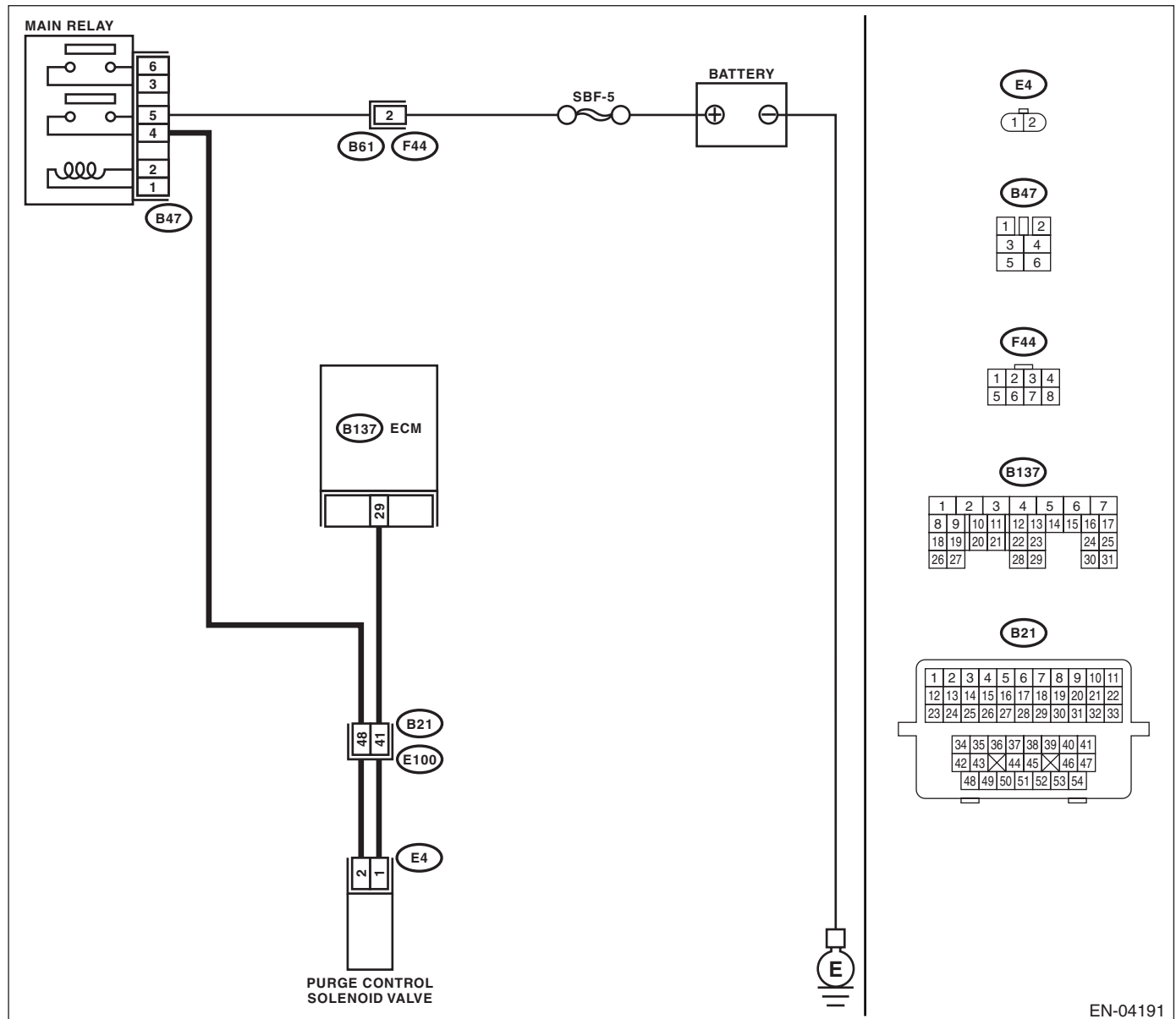
TROUBLE SYMPTOM:

Erroneous idling

CAUTION:

After repair or replacement of faulty parts, conduct Clear Memory Mode <Ref. to EN(H4SO)(diag)-46, OPERATION, Clear Memory Mode.> and Inspection Mode <Ref. to EN(H4SO)(diag)-36, PROCEDURE, Inspection Mode.>.

WIRING DIAGRAM:



EN-04191

Diagnostic Procedure with Diagnostic Trouble Code (DTC)

ENGINE (DIAGNOSTICS)

Step	Check	Yes	No
1 CHECK OUTPUT SIGNAL FROM ECM. 1) Turn the ignition switch to ON. 2) Measure the voltage between ECM and chassis ground. Connector & terminal (B137) No. 29 (+) — Chassis ground (-):	Is the voltage more than 10 V?	Even if malfunction indicator light lights up, the circuit has returned to a normal condition at this time. Contact your SOA Service Center since deterioration of some parts may be the cause.	Go to step 2.
2 CHECK HARNESS BETWEEN PURGE CONTROL SOLENOID VALVE AND ECM CONNECTOR. 1) Turn the ignition switch to OFF. 2) Disconnect the connectors from purge control solenoid valve and ECM. 3) Measure the resistance of harness between purge control solenoid valve connector and engine ground. Connector & terminal (E4) No. 2 — Engine ground:	Is the resistance more than 1 M Ω ?	Go to step 3.	Repair ground short circuit in harness between ECM and purge control solenoid valve connector.
3 CHECK HARNESS BETWEEN PURGE CONTROL SOLENOID VALVE AND ECM CONNECTOR. Measure the resistance of harness between ECM and purge control solenoid valve of harness connector. Connector & terminal (B137) No. 29 — (E4) No. 1:	Is the resistance less than 1 Ω ?	Go to step 4.	Repair open circuit in harness between ECM and purge control solenoid valve connector. NOTE: In this case, repair the following: <ul style="list-style-type: none"> • Open circuit in harness between ECM and purge control solenoid valve connector • Poor contact in coupling connector
4 CHECK PURGE CONTROL SOLENOID VALVE. 1) Remove the purge control solenoid valve. 2) Measure the resistance between purge control solenoid valve terminals. Terminals No. 1 — No. 2:	Is the resistance 10 — 100 Ω ?	Go to step 5.	Replace the purge control solenoid valve. <Ref. to EC(H4SO)-7, Purge Control Solenoid Valve.>
5 CHECK POWER SUPPLY TO PURGE CONTROL SOLENOID VALVE. 1) Turn the ignition switch to ON. 2) Measure the voltage between purge control solenoid valve and engine ground. Connector & terminal (E4) No. 1 (+) — Engine ground (-):	Is the voltage more than 10 V?	Go to step 6.	Repair open circuit in harness between main relay and purge control solenoid valve connector.
6 CHECK POOR CONTACT. Check poor contact in purge control solenoid valve connector.	Is there poor contact in purge control solenoid valve connector?	Repair poor contact in purge control solenoid valve connector.	Contact your SOA Service Center since deterioration of some parts may be the cause.

BO:DTC P0459 EVAPORATIVE EMISSION CONTROL SYSTEM PURGE CONTROL VALVE CIRCUIT HIGH

DTC DETECTING CONDITION:

- Two consecutive driving cycles with fault
- GENERAL DESCRIPTION <Ref. to GD(H4SO)-127, DTC P0459 EVAPORATIVE EMISSION CONTROL SYSTEM PURGE CONTROL VALVE CIRCUIT HIGH, Diagnostic Trouble Code (DTC) Detecting Criteria.>

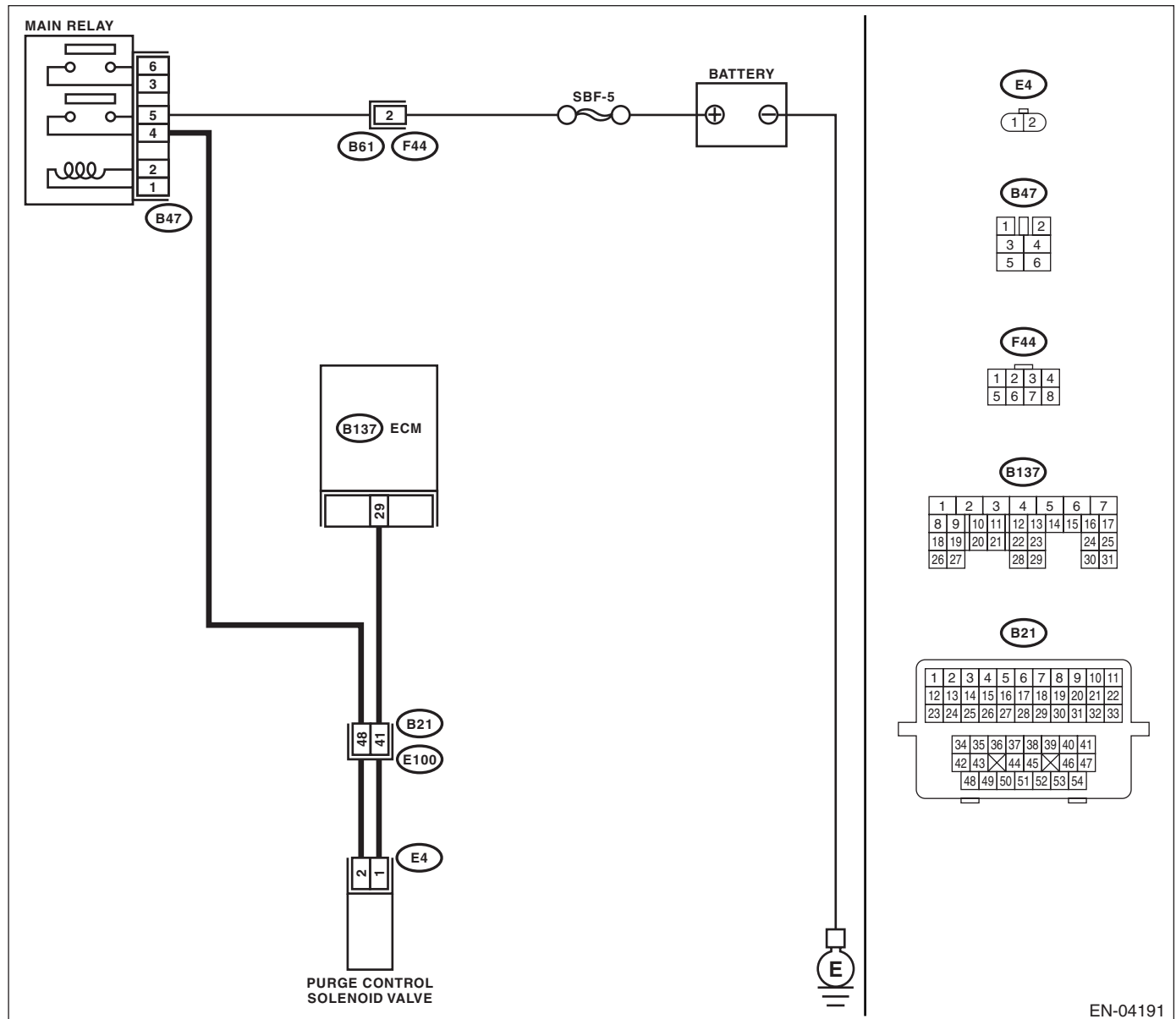
TRouble SYMPTOM:

Erroneous idling

CAUTION:

After repair or replacement of faulty parts, conduct Clear Memory Mode <Ref. to EN(H4SO)(diag)-46, OPERATION, Clear Memory Mode.> and Inspection Mode <Ref. to EN(H4SO)(diag)-36, PROCEDURE, Inspection Mode.>.

WIRING DIAGRAM:



EN-04191

Diagnostic Procedure with Diagnostic Trouble Code (DTC)

ENGINE (DIAGNOSTICS)

Step	Check	Yes	No
<p>1 CHECK OUTPUT SIGNAL FROM ECM. 1) Turn the ignition switch to OFF. 2) Connect the test mode connector at the lower portion of instrument panel (on the driver's side). 3) Turn the ignition switch to ON. 4) While operating the purge control solenoid valve, measure voltage between ECM and chassis ground.</p> <p>NOTE: Purge control solenoid valve operation can be executed using Subaru Select Monitor. For procedure, refer to "Compulsory Valve Operation Check Mode". <Ref. to EN(H4SO)(diag)-47, Compulsory Valve Operation Check Mode.></p> <p>Connector & terminal (B137) No. 29 (+) — Chassis ground (-):</p>	Is the voltage 0 — 10 V?	Go to step 2.	Even if malfunction indicator light light up, the circuit has returned to a normal condition at this time. In this case, repair poor contact in ECM connector.
<p>2 CHECK OUTPUT SIGNAL FROM ECM. 1) Turn the ignition switch to ON. 2) Measure the voltage between ECM and chassis ground.</p> <p>Connector & terminal (B137) No. 29 (+) — Chassis ground (-):</p>	Is the voltage more than 10 V?	Go to step 4.	Go to step 3.
<p>3 CHECK POOR CONTACT. Check poor contact in ECM connector.</p>	Is there poor contact in ECM connector?	Repair poor contact in ECM connector.	Replace the ECM. <Ref. to FU(H4SO)-38, Engine Control Module (ECM).>
<p>4 CHECK HARNESS BETWEEN PURGE CONTROL SOLENOID VALVE AND ECM CONNECTOR. 1) Turn the ignition switch to OFF. 2) Disconnect the connector from purge control solenoid valve. 3) Turn the ignition switch to ON. 4) Measure the voltage between ECM and chassis ground.</p> <p>Connector & terminal (B137) No. 29 (+) — Chassis ground (-):</p>	Is the voltage more than 10 V?	Repair battery short circuit in harness between ECM and purge control solenoid valve connector. After repair, replace the ECM. <Ref. to FU(H4SO)-38, Engine Control Module (ECM).>	Go to step 5.
<p>5 CHECK PURGE CONTROL SOLENOID VALVE. 1) Turn the ignition switch to OFF. 2) Measure the resistance between purge control solenoid valve terminals.</p> <p>Terminals No. 1 — No. 2:</p>	Is the resistance less than 1 Ω ?	Replace the purge control solenoid valve <Ref. to EC(H4SO)-7, Purge Control Solenoid Valve.> and ECM <Ref. to FU(H4SO)-38, Engine Control Module (ECM).>	Go to step 6.
<p>6 CHECK POOR CONTACT. Check poor contact in ECM connector.</p>	Is there poor contact in ECM connector?	Repair poor contact in ECM connector.	Replace the ECM. <Ref. to FU(H4SO)-38, Engine Control Module (ECM).>

Diagnostic Procedure with Diagnostic Trouble Code (DTC)

ENGINE (DIAGNOSTICS)

BP:DTC P0461 FUEL LEVEL SENSOR CIRCUIT RANGE/PERFORMANCE

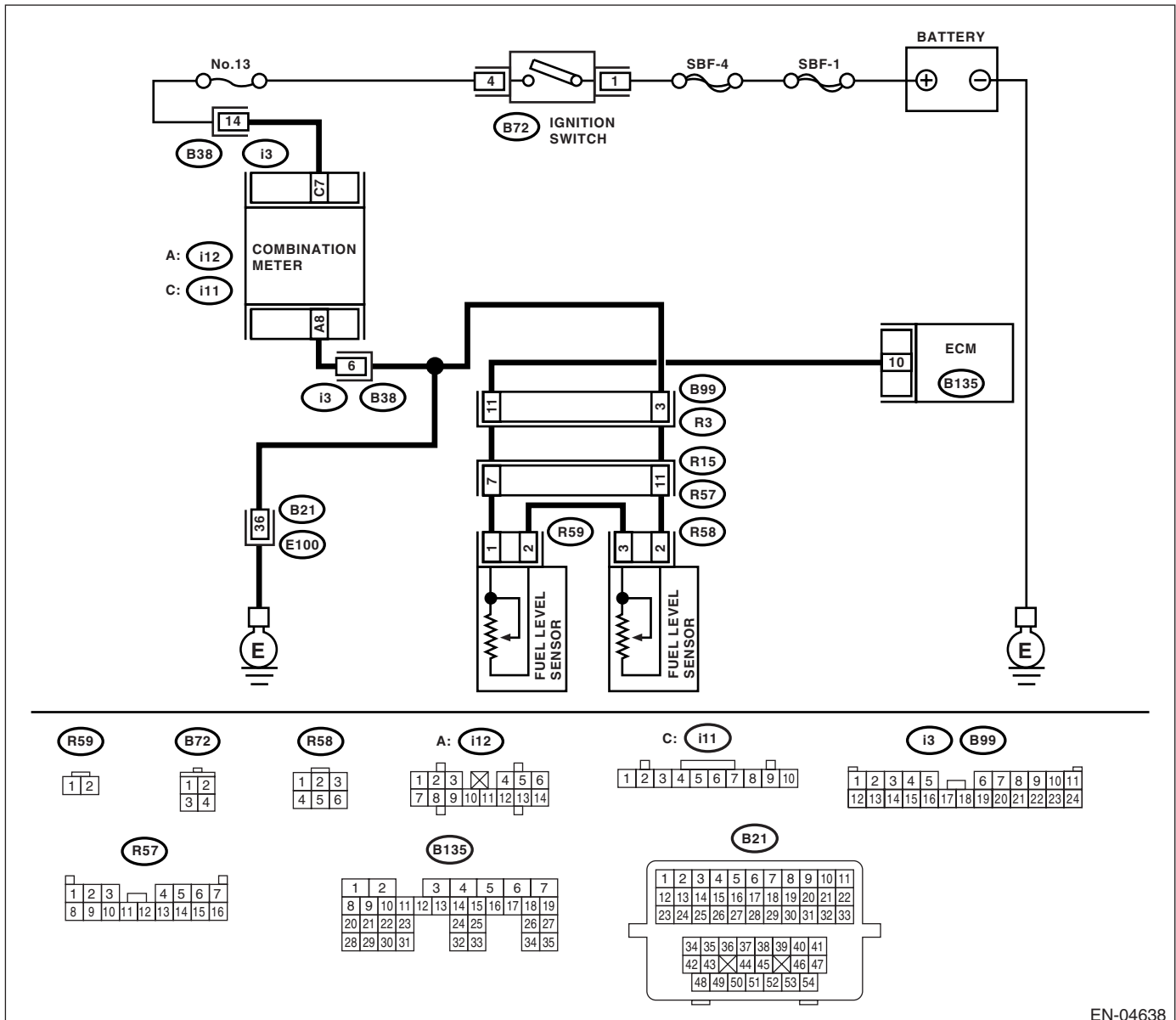
DTC DETECTING CONDITION:

- Two consecutive driving cycles with fault
- GENERAL DESCRIPTION <Ref. to GD(H4SO)-129, DTC P0461 FUEL LEVEL SENSOR CIRCUIT RANGE/PERFORMANCE, Diagnostic Trouble Code (DTC) Detecting Criteria.>

CAUTION:

After repair or replacement of faulty parts, conduct Clear Memory Mode <Ref. to EN(H4SO)(diag)-46, OPERATION, Clear Memory Mode.> and Inspection Mode <Ref. to EN(H4SO)(diag)-36, PROCEDURE, Inspection Mode.>.

WIRING DIAGRAM:



EN-04638

Diagnostic Procedure with Diagnostic Trouble Code (DTC)

ENGINE (DIAGNOSTICS)

Step	Check	Yes	No
1 CHECK ANY OTHER DTC ON DISPLAY.	Is any other DTC displayed?	Inspect DTC using "List of Diagnostic Trouble Code (DTC)". <Ref. to EN(H4SO)(diag)-73, List of Diagnostic Trouble Code (DTC).> NOTE: In this case, it is not necessary to inspect this trouble.	Replace the fuel level sensor <Ref. to FU(H4SO)-52, Fuel Level Sensor.> and fuel sub level sensor. <Ref. to FU(H4SO)-53, Fuel Sub Level Sensor.>

Diagnostic Procedure with Diagnostic Trouble Code (DTC)

ENGINE (DIAGNOSTICS)

BQ:DTC P0462 FUEL LEVEL SENSOR CIRCUIT LOW INPUT

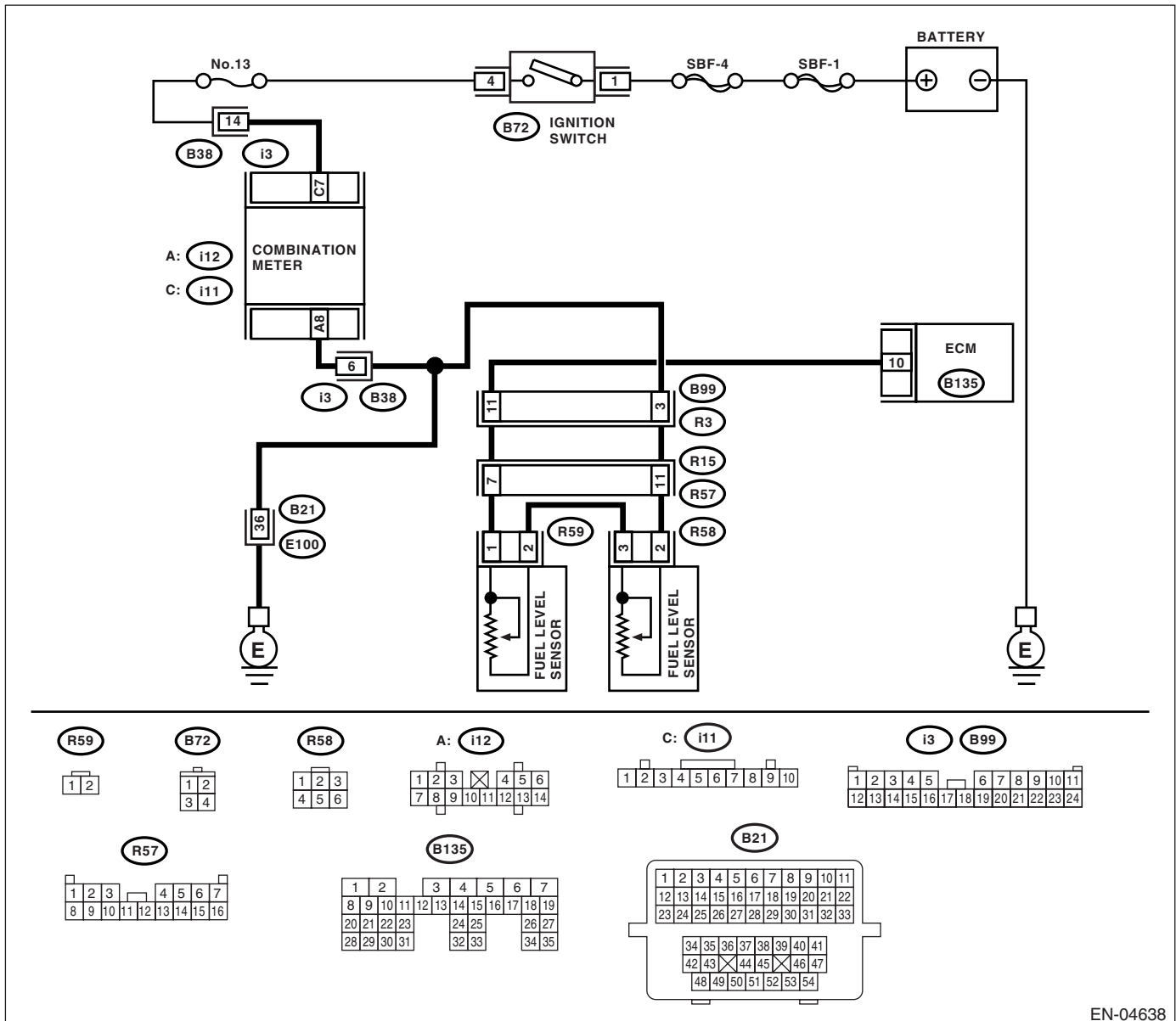
DTC DETECTING CONDITION:

- Two consecutive driving cycles with fault
- GENERAL DESCRIPTION <Ref. to GD(H4SO)-131, DTC P0462 FUEL LEVEL SENSOR CIRCUIT LOW INPUT, Diagnostic Trouble Code (DTC) Detecting Criteria.>

CAUTION:

After repair or replacement of faulty parts, conduct Clear Memory Mode <Ref. to EN(H4SO)(diag)-46, OPERATION, Clear Memory Mode.> and Inspection Mode <Ref. to EN(H4SO)(diag)-36, PROCEDURE, Inspection Mode.>.

WIRING DIAGRAM:



EN-04638

Diagnostic Procedure with Diagnostic Trouble Code (DTC)

ENGINE (DIAGNOSTICS)

Step	Check	Yes	No	
1	CHECK SPEEDOMETER AND TACHOMETER OPERATION IN COMBINATION METER.	Does the speedometer and tachometer operate normally?	Go to step 2.	Repair or replace the combination meter. <Ref. to IDI-3, Combination Meter System.>
2	CHECK INPUT SIGNAL FOR ECM. 1) Turn the ignition switch to ON. (Engine OFF) 2) Measure the voltage between ECM connector and chassis ground. Connector & terminal (B135) No. 10 (+) — Chassis ground (-):	Is the voltage less than 0.12 V?	Go to step 4.	Go to step 3.
3	CHECK INPUT SIGNAL FOR ECM. (USING SUBARU SELECT MONITOR.) Read the data of fuel level sensor signal using Subaru Select Monitor. NOTE: • Subaru Select Monitor For detailed operation procedure, refer to the "READ CURRENT DATA FOR ENGINE". <Ref. to EN(H4SO)(diag)-28, Subaru Select Monitor.>	Is the voltage less than 0.12 V by shaking the harness and connector of ECM?	Repair poor contact in ECM connector.	Even if malfunction indicator light lights up, the circuit has returned to a normal condition at this time. A temporary poor contact of the connector may be the cause. NOTE: In this case, repair the following: • Poor contact in combination meter connector • Poor contact in ECM connector • Poor contact in coupling connectors
4	CHECK INPUT VOLTAGE OF ECM. 1) Turn the ignition switch to OFF. 2) Separate fuel tank cord connector (R57) and rear wiring harness connector (R15). 3) Turn the ignition switch to ON. 4) Measure the voltage of harness between ECM connector and chassis ground. Connector & terminal (B135) No. 10 (+) — Chassis ground (-):	Is the voltage more than 0.12 V?	Go to step 5.	Go to step 6.
5	CHECK HARNESS BETWEEN ECM AND COMBINATION METER. 1) Turn the ignition switch to OFF. 2) Disconnect the connector from connector (i11) and ECM connector. 3) Measure the resistance between ECM and chassis ground. Connector & terminal (B135) No. 10 — Chassis ground:	Is the resistance more than 1 M Ω ?	Go to step 7.	Repair ground short circuit in harness between ECM and combination meter connector.
6	CHECK HARNESS BETWEEN ECM AND COMBINATION METER. Measure the resistance between ECM and combination meter connector. Connector & terminal (B135) No. 10 — (i12) No. 8:	Is the resistance less than 10 Ω ?	Repair or replace the combination meter. <Ref. to IDI-3, Combination Meter System.>	Repair open circuit between ECM and combination meter connector. NOTE: In this case, repair the following: Poor contact in coupling connector

Diagnostic Procedure with Diagnostic Trouble Code (DTC)

ENGINE (DIAGNOSTICS)

Step	Check	Yes	No
7 CHECK FUEL TANK CORD. 1) Turn ignition switch to OFF. 2) Disconnect the connector from fuel sub level sensor. 3) Measure the resistance between fuel sub level sensor and chassis ground. Connector & terminal (R59) No. 1 — Chassis ground:	Is the resistance more than 1 MΩ?	Go to step 8 .	Repair short circuit to ground in fuel tank cord.
8 CHECK FUEL TANK CORD. 1) Disconnect the connector from fuel pump assembly. 2) Measure the resistance between fuel pump assembly and chassis ground. Connector & terminal (R59) No. 2 — Chassis ground:	Is the resistance more than 1 MΩ?	Go to step 9 .	Repair ground short circuit in fuel tank cord.
9 CHECK FUEL LEVEL SENSOR. 1) Remove the fuel pump assembly. <Ref. to FU(H4SO)-50, Fuel Pump.> 2) Measure the resistance between fuel level sensor and terminals with its float set to the full position. Terminals No. 3 — No. 2:	Is the resistance 0.5 — 2.5 Ω?	Go to step 10 .	Replace the fuel level sensor.
10 CHECK FUEL SUB LEVEL SENSOR. 1) Remove the fuel sub level sensor. <Ref. to FU(H4SO)-53, Fuel Sub Level Sensor.> 2) Measure the resistance between fuel sub level sensor and terminals with its float set to the full position. Terminals No. 1 — No. 2:	Is the resistance 0.5 — 2.5 Ω?	Repair poor contact in harness between ECM and combination meter connector.	Replace the fuel sub level sensor.

Diagnostic Procedure with Diagnostic Trouble Code (DTC)

ENGINE (DIAGNOSTICS)

BR:DTC P0463 FUEL LEVEL SENSOR CIRCUIT HIGH INPUT

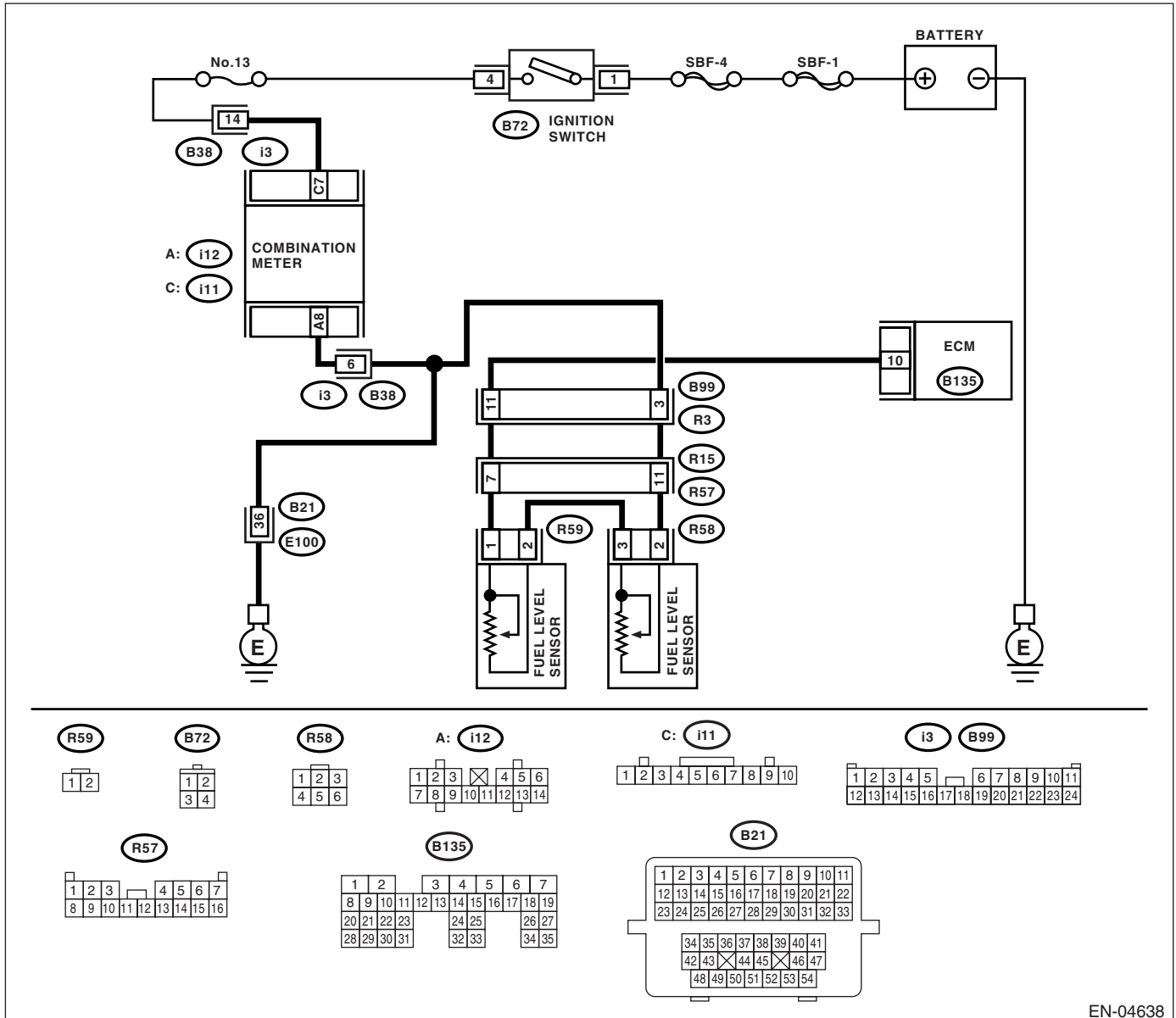
DTC DETECTING CONDITION:

- Two consecutive driving cycles with fault
- GENERAL DESCRIPTION <Ref. to GD(H4SO)-133, DTC P0463 FUEL LEVEL SENSOR CIRCUIT HIGH INPUT, Diagnostic Trouble Code (DTC) Detecting Criteria.>

CAUTION:

After repair or replacement of faulty parts, conduct Clear Memory Mode <Ref. to EN(H4SO)(diag)-46, OPERATION, Clear Memory Mode.> and Inspection Mode <Ref. to EN(H4SO)(diag)-36, PROCEDURE, Inspection Mode.>.

WIRING DIAGRAM:



EN-04638

Diagnostic Procedure with Diagnostic Trouble Code (DTC)

ENGINE (DIAGNOSTICS)

Step	Check	Yes	No
1	CHECK SPEEDOMETER AND TACHOMETER OPERATION IN COMBINATION METER.	Go to step 2.	Repair or replace the combination meter. <Ref. to IDI-3, Combination Meter System.>
2	CHECK INPUT SIGNAL FOR ECM. 1) Turn the ignition switch to ON. (Engine OFF) 2) Measure the voltage between ECM connector and chassis ground. Connector & terminal (B135) No. 10 (+) — Chassis ground (-):	Go to step 3.	Even if malfunction indicator light lights up, the circuit has returned to a normal condition at this time. A temporary poor contact of the connector may be the cause. NOTE: In this case, repair the following: <ul style="list-style-type: none"> • Poor contact in fuel pump connector • Poor contact in coupling connector
3	CHECK INPUT VOLTAGE OF ECM. 1) Turn the ignition switch to OFF. 2) Disconnect the combination meter connector (i11) and ECM connector. 3) Turn the ignition switch to ON. 4) Measure the voltage of harness between ECM and chassis ground. Connector & terminal (B135) No. 10 (+) — Chassis ground (-):	Repair battery short circuit between ECM and combination meter connector.	Go to step 4.
4	CHECK HARNESS BETWEEN ECM AND FUEL TANK CORD. 1) Turn the ignition switch to OFF. 2) Separate fuel tank cord connector (R57) and rear wiring harness connector (R15). 3) Measure the resistance between ECM and fuel tank cord. Connector & terminal (B135) No. 10 — (R15) No. 7:	Go to step 5.	Repair open circuit in harness between ECM and fuel tank cord.
5	CHECK HARNESS BETWEEN FUEL TANK CORD AND CHASSIS GROUND. Measure the resistance between fuel tank cord and chassis ground. Connector & terminal (R15) No. 11 — Chassis ground:	Go to step 6.	Repair open circuit in harness between fuel tank cord and chassis ground. NOTE: In this case, repair the following: Poor contact in coupling connectors
6	CHECK FUEL TANK CORD. 1) Disconnect the connector from fuel level sensor. 2) Measure the resistance between fuel level sensor and coupling connector. Connector & terminal (R57) No. 11 — (R58) No. 2:	Go to step 7.	Repair open circuit in harness between coupling connector and fuel level sensor.

Diagnostic Procedure with Diagnostic Trouble Code (DTC)

ENGINE (DIAGNOSTICS)

Step	Check	Yes	No
7 CHECK FUEL TANK CORD. 1) Disconnect the connector from fuel sub level sensor. 2) Measure the resistance between fuel level sensor and fuel sub level sensor. <i>Connector & terminal</i> <i>(R58) No. 3 — (R59) No. 2:</i>	Is the resistance less than 10 Ω ?	Go to step 8 .	Repair open circuit in harness between fuel level sensor and fuel sub level sensor.
8 CHECK FUEL TANK CORD. Measure the resistance between fuel level sensor and coupling connector. <i>Connector & terminal</i> <i>(R57) No. 7 — (R59) No. 1:</i>	Is the resistance less than 10 Ω ?	Go to step 9 .	Repair open circuit in harness between coupling connector and fuel level sensor.
9 CHECK FUEL LEVEL SENSOR. 1) Remove the fuel pump assembly. <Ref. to FU(H4SO)-50, Fuel Pump.> 2) While moving the fuel level sensor float up and down, measure resistance between fuel level sensor terminals. <i>Terminals</i> <i>No. 3 — No. 2:</i>	Is the resistance more than 54.5 Ω ?	Replace the fuel level sensor. <Ref. to FU(H4SO)-52, Fuel Level Sensor.>	Go to step 10 .
10 CHECK FUEL SUB LEVEL SENSOR. 1) Remove the fuel sub level sensor. <Ref. to FU(H4SO)-53, Fuel Sub Level Sensor.> 2) While moving the fuel sub level sensor float up and down, measure resistance between fuel sub level sensor terminals. <i>Terminals</i> <i>No. 1 — No. 2:</i>	Is the resistance more than 41.5 Ω ?	Replace the fuel sub level sensor. <Ref. to FU(H4SO)-53, Fuel Sub Level Sensor.>	Replace the combination meter. <Ref. to IDI-10, Combination Meter.>

Diagnostic Procedure with Diagnostic Trouble Code (DTC)

ENGINE (DIAGNOSTICS)

BS:DTC P0464 FUEL LEVEL SENSOR CIRCUIT INTERMITTENT

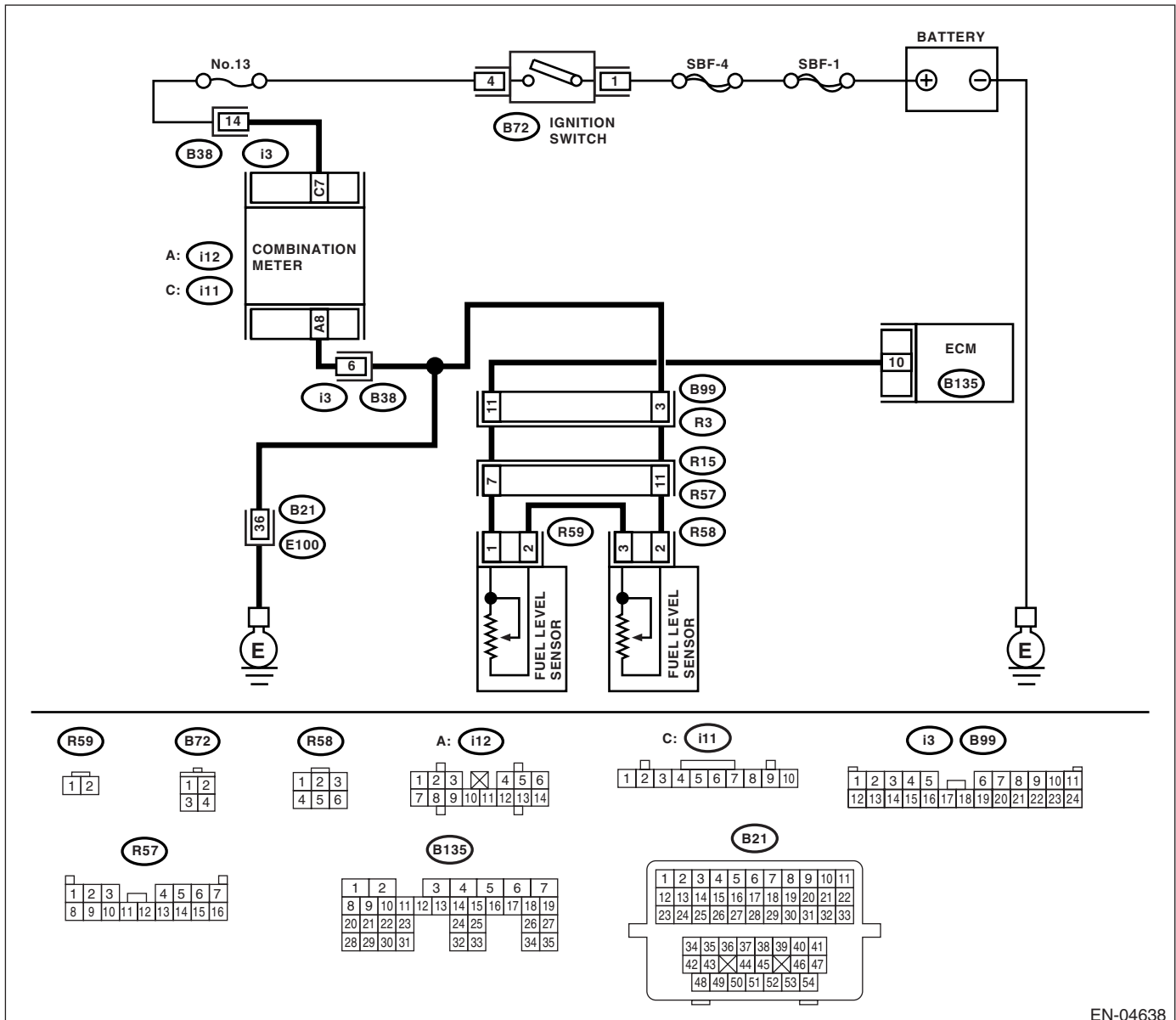
DTC DETECTING CONDITION:

- Two consecutive driving cycles with fault
- GENERAL DESCRIPTION <Ref. to GD(H4SO)-135, DTC P0464 FUEL LEVEL SENSOR CIRCUIT INTERMITTENT, Diagnostic Trouble Code (DTC) Detecting Criteria.>

CAUTION:

After repair or replacement of faulty parts, conduct Clear Memory Mode <Ref. to EN(H4SO)(diag)-46, OPERATION, Clear Memory Mode.> and Inspection Mode <Ref. to EN(H4SO)(diag)-36, PROCEDURE, Inspection Mode.>.

WIRING DIAGRAM:



EN-04638

Diagnostic Procedure with Diagnostic Trouble Code (DTC)

ENGINE (DIAGNOSTICS)

Step	Check	Yes	No
1 CHECK ANY OTHER DTC ON DISPLAY.	Is any other DTC displayed?	Inspect DTC P0462 or P0463 using "List of Diagnostic Trouble Code (DTC)". <Ref. to EN(H4SO)(diag)-73, List of Diagnostic Trouble Code (DTC).>	Go to step 2.
2 CHECK FUEL LEVEL SENSOR. 1) Remove the fuel pump assembly. <Ref. to FU(H4SO)-50, Fuel Pump.> 2) While moving the fuel level sensor float up and down, make sure that the resistance between fuel level sensor terminals changes smoothly. Terminals No. 3 — No. 2:	Does the resistance change smoothly?	Go to step 3.	Replace the fuel level sensor. <Ref. to FU(H4SO)-52, Fuel Level Sensor.>
3 CHECK FUEL SUB LEVEL SENSOR. 1) Remove the fuel sub level sensor. <Ref. to FU(H4SO)-52, Fuel Level Sensor.> 2) While moving the fuel sub level sensor float up and down, make sure that the resistance between fuel level sensor terminals changes smoothly. Terminals No. 1 — No. 2:	Does the resistance change smoothly?	Repair poor contact in ECM, combination meter and coupling connectors.	Replace the fuel sub level sensor. <Ref. to FU(H4SO)-52, Fuel Level Sensor.>

BT:DTC P0483 COOLING FAN RATIONALITY CHECK

DTC DETECTING CONDITION:

- Two consecutive driving cycles with fault
- GENERAL DESCRIPTION <Ref. to GD(H4SO)-138, DTC P0483 COOLING FAN RATIONALITY CHECK, Diagnostic Trouble Code (DTC) Detecting Criteria.>

TROUBLE SYMPTOM:

- Occurrence of noise
- Overheating

CAUTION:

After repair or replacement of faulty parts, conduct Clear Memory Mode <Ref. to EN(H4SO)(diag)-46, OPERATION, Clear Memory Mode.> and Inspection Mode <Ref. to EN(H4SO)(diag)-36, PROCEDURE, Inspection Mode.>.

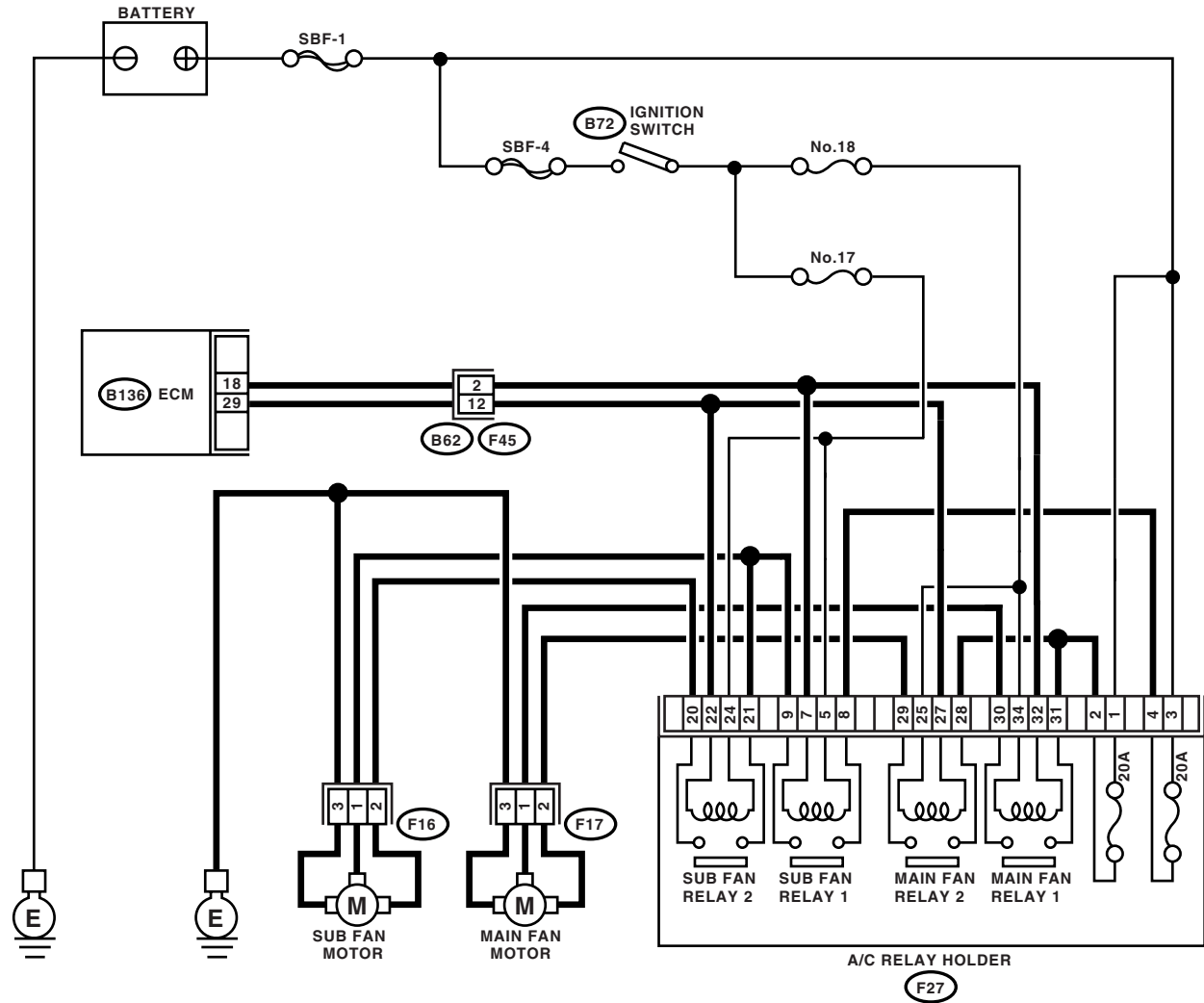
NOTE:

If the vehicle, with the engine idling, is placed very close to a wall or another vehicle, preventing normal cooling function, the OBD system may detect malfunction.

Diagnostic Procedure with Diagnostic Trouble Code (DTC)

ENGINE (DIAGNOSTICS)

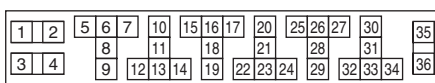
WIRING DIAGRAM:



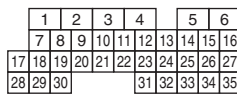
(B72)



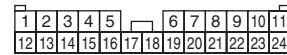
(F27)



(B136)



(F45)



(F16)



EN-04193

Diagnostic Procedure with Diagnostic Trouble Code (DTC)

ENGINE (DIAGNOSTICS)

Step	Check	Yes	No
1 CHECK ANY OTHER DTC ON DISPLAY.	Is any other DTC displayed?	Inspect the relevant DTC using "List of Diagnostic Trouble Code (DTC)". <Ref. to EN(H4SO)(diag)-73, List of Diagnostic Trouble Code (DTC).>	Check radiator fan and fan motor. <Ref. to CO(H4SO)-27, Radiator Main Fan and Fan Motor.> and <Ref. to CO(H4SO)-28, Radiator Sub Fan and Fan Motor.>

BU:DTC P0502 VEHICLE SPEED SENSOR CIRCUIT LOW INPUT

NOTE:

For the diagnostic procedure, refer to DTC P0503. <Ref. to EN(H4SO)(diag)-247, DTC P0503 VEHICLE SPEED SENSOR INTERMITTENT/ERRATIC/HIGH, Diagnostic Procedure with Diagnostic Trouble Code (DTC).>

Diagnostic Procedure with Diagnostic Trouble Code (DTC)

ENGINE (DIAGNOSTICS)

BV:DTC P0503 VEHICLE SPEED SENSOR INTERMITTENT/ERRATIC/HIGH

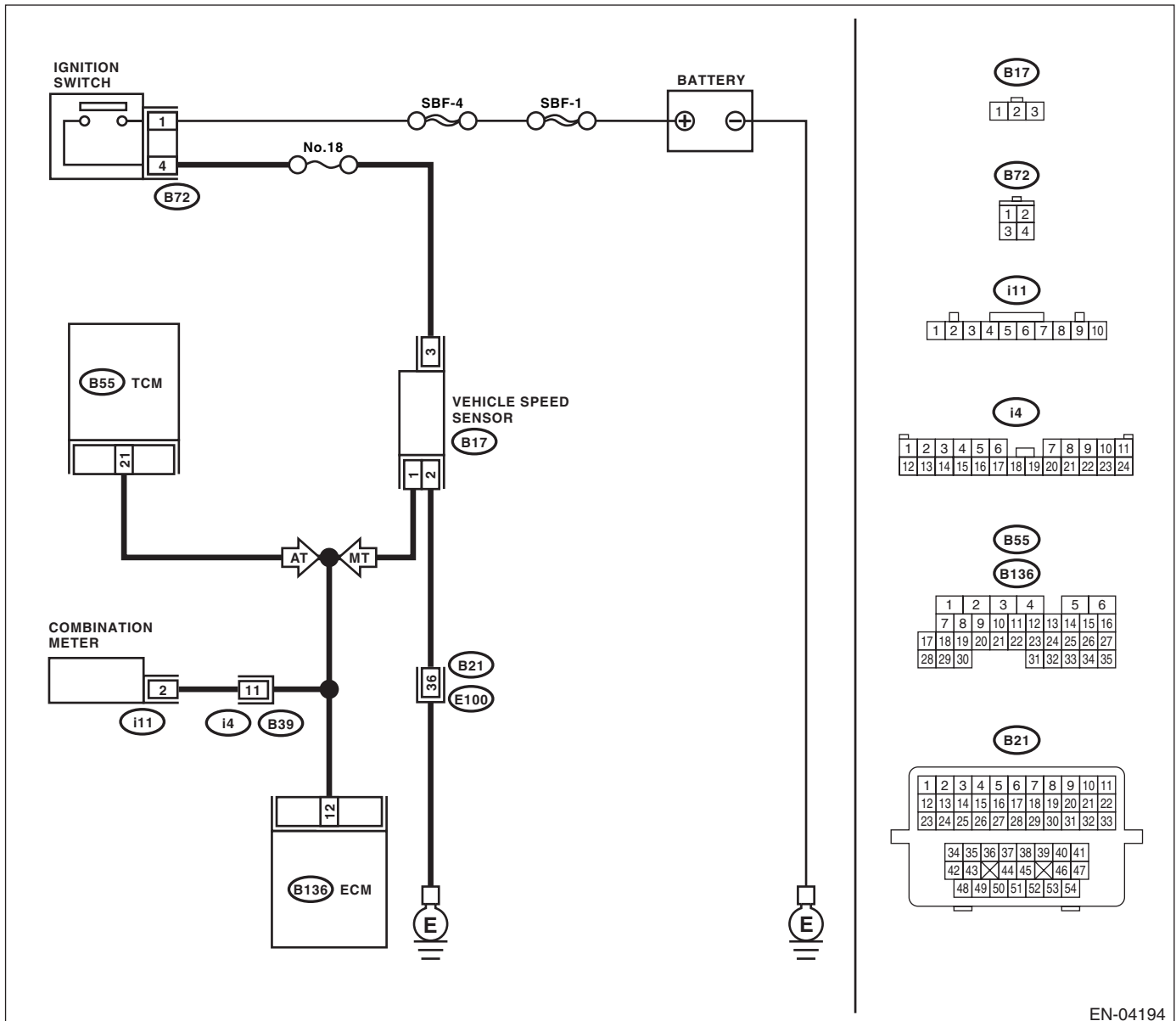
DTC DETECTING CONDITION:

- Immediately at fault recognition
- GENERAL DESCRIPTION <Ref. to GD(H4SO)-140, DTC P0503 VEHICLE SPEED SENSOR INTERMITTENT/ERRATIC/HIGH, Diagnostic Trouble Code (DTC) Detecting Criteria.>

CAUTION:

After repair or replacement of faulty parts, conduct Clear Memory Mode <Ref. to EN(H4SO)(diag)-46, OPERATION, Clear Memory Mode.> and Inspection Mode <Ref. to EN(H4SO)(diag)-36, PROCEDURE, Inspection Mode.>.

WIRING DIAGRAM:



Diagnostic Procedure with Diagnostic Trouble Code (DTC)

ENGINE (DIAGNOSTICS)

Step	Check	Yes	No	
1	CHECK TRANSMISSION TYPE.	Is the target AT model?	Go to step 2.	Go to step 3.
2	CHECK DTC P0720 ON DISPLAY.	Does the Subaru Select Monitor or general scan tool indicate DTC P0720?	Check front vehicle speed sensor signal circuit. <Ref. to 4AT(D)(diag)-52, DTC P0720 OUTPUT SPEED SENSOR CIRCUIT, Diagnostic Procedure with Diagnostic Trouble Code (DTC).>	Go to step 3.
3	CHECK SPEEDOMETER OPERATION IN COMBINATION METER.	Does the speedometer operate normally?	Go to step 4.	Check speedometer and vehicle speed sensor. <Ref. to IDI-13, Speedometer.> and <Ref. to 4AT-51, Front Vehicle Speed Sensor.> and <Ref. to 4AT-55, Rear Vehicle Speed Sensor.> and <Ref. to 4AT-56, Torque Converter Turbine Speed Sensor.>
4	CHECK HARNESS BETWEEN ECM AND COMBINATION METER CONNECTOR. 1) Turn the ignition switch to OFF. 2) Disconnect the connector from combination meter. 3) Measure the resistance between ECM and combination meter. Connector & terminal (B136) No. 12 — (i11) No. 2:	Is the resistance less than 10 Ω?	Repair poor contact in ECM connector.	Repair harness and connector. NOTE: In this case, repair the following: • Open circuit in harness between ECM and combination meter connector • Poor contact in ECM connector • Poor contact in combination meter connector • Poor contact in coupling connector

BW:DTC P0506 IDLE CONTROL SYSTEM RPM LOWER THAN EXPECTED

DTC DETECTING CONDITION:

- Two consecutive driving cycles with fault
- GENERAL DESCRIPTION <Ref. to GD(H4SO)-141, DTC P0506 IDLE CONTROL SYSTEM RPM LOWER THAN EXPECTED, Diagnostic Trouble Code (DTC) Detecting Criteria.>

TROUBLE SYMPTOM:

- Engine is difficult to start.
- Engine does not start.
- Erroneous idling
- Engine stalls.

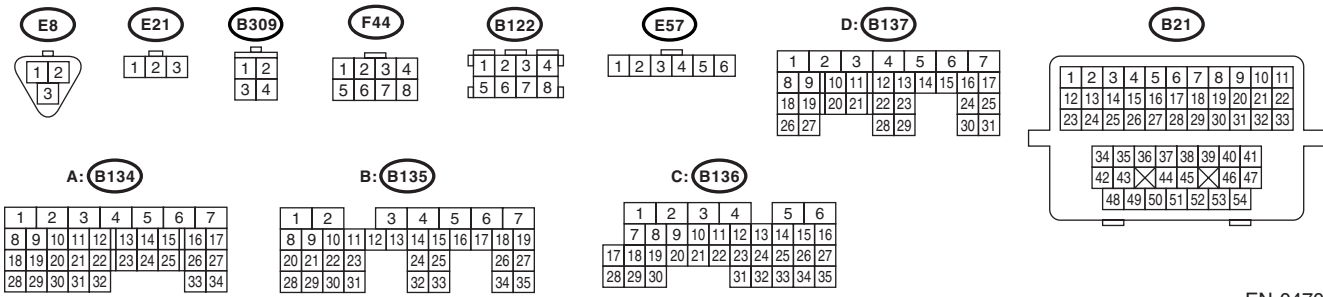
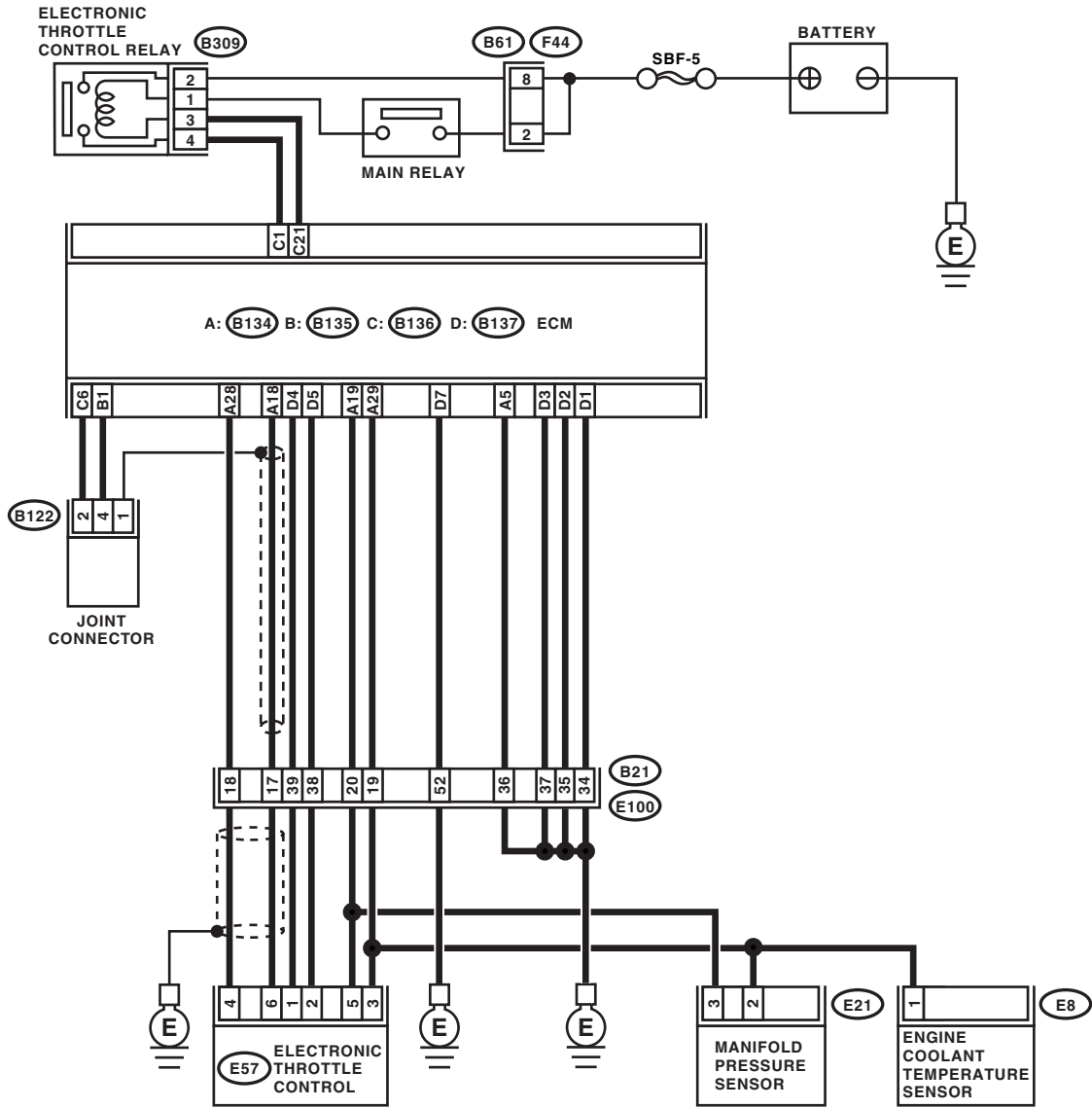
CAUTION:

After repair or replacement of faulty parts, conduct Clear Memory Mode <Ref. to EN(H4SO)(diag)-46, OPERATION, Clear Memory Mode.> and Inspection Mode <Ref. to EN(H4SO)(diag)-36, PROCEDURE, Inspection Mode.>.

Diagnostic Procedure with Diagnostic Trouble Code (DTC)

ENGINE (DIAGNOSTICS)

WIRING DIAGRAM:



EN-04700

Diagnostic Procedure with Diagnostic Trouble Code (DTC)

ENGINE (DIAGNOSTICS)

Step	Check	Yes	No
1 CHECK ANY OTHER DTC ON DISPLAY.	Is any other DTC displayed?	Inspect the relevant DTC using "List of Diagnostic Trouble Code (DTC)". <Ref. to EN(H4SO)(diag)-73, List of Diagnostic Trouble Code (DTC).> NOTE: In this case, it is not necessary to inspect DTC P0506.	Go to step 2.
2 CHECK AIR CLEANER ELEMENT. 1) Turn the ignition switch to OFF. 2) Check air cleaner element.	Is there excessive clogging on air cleaner element.	Replace the air cleaner element. <Ref. to IN(H4SO)-4, Air Cleaner Element.>	Go to step 3.
3 CHECK ELECTRONIC THROTTLE CONTROL. 1) Turn the ignition switch to OFF. 2) Remove the electronic throttle control. 3) Check the electronic throttle control.	Are there foreign particles in electronic throttle control?	Remove the foreign particles from electronic throttle control.	Perform the diagnosis of DTC P2101.

BX:DTC P0507 IDLE CONTROL SYSTEM RPM HIGHER THAN EXPECTED

DTC DETECTING CONDITION:

- Two consecutive driving cycles with fault
- GENERAL DESCRIPTION <Ref. to GD(H4SO)-142, DTC P0507 IDLE CONTROL SYSTEM RPM HIGHER THAN EXPECTED, Diagnostic Trouble Code (DTC) Detecting Criteria.>

TROUBLE SYMPTOM:

Engine keeps running at higher revolution than specified idling revolution.

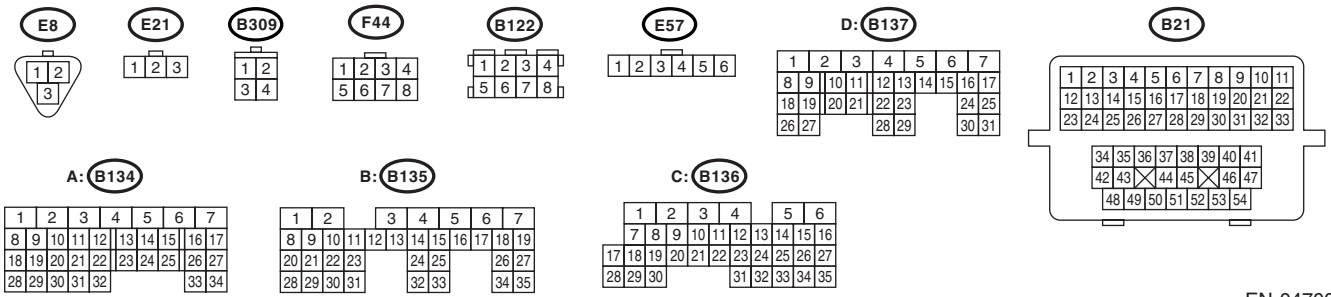
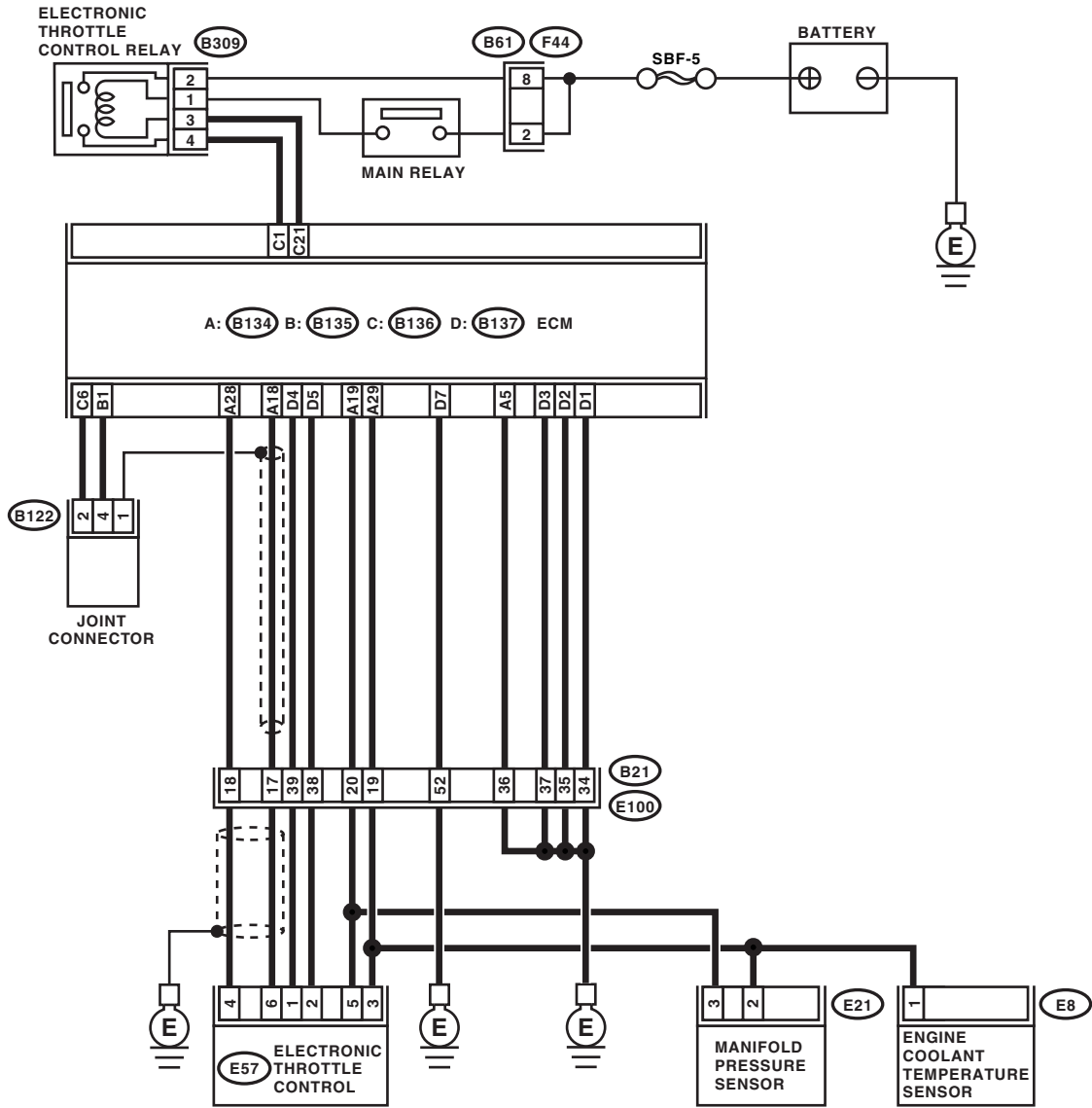
CAUTION:

After repair or replacement of faulty parts, conduct Clear Memory Mode <Ref. to EN(H4SO)(diag)-46, OPERATION, Clear Memory Mode.> and Inspection Mode <Ref. to EN(H4SO)(diag)-36, PROCEDURE, Inspection Mode.>.

Diagnostic Procedure with Diagnostic Trouble Code (DTC)

ENGINE (DIAGNOSTICS)

WIRING DIAGRAM:



EN-04700

Diagnostic Procedure with Diagnostic Trouble Code (DTC)

ENGINE (DIAGNOSTICS)

Step	Check	Yes	No
1 CHECK ANY OTHER DTC ON DISPLAY.	Is any other DTC displayed?	Inspect the relevant DTC using "List of Diagnostic Trouble Code (DTC)". <Ref. to EN(H4SO)(diag)-73, List of Diagnostic Trouble Code (DTC).> NOTE: In this case, it is not necessary to inspect DTC P0507.	Go to step 2.
2 CHECK AIR INTAKE SYSTEM. 1) Turn the ignition switch to ON. 2) Start the engine, and idle it. 3) Check the following items. <ul style="list-style-type: none"> • Loose installation of intake manifold and throttle body • Cracks of intake manifold gasket and throttle body gasket • Disconnections of vacuum hoses 	Is there a fault in air intake system?	Repair the air suction and leaks.	Go to step 3.
3 CHECK ELECTRONIC THROTTLE CONTROL. 1) Turn the ignition switch to OFF. 2) Remove the electronic throttle control. 3) Check the electronic throttle control.	Are there foreign particles in electronic throttle control?	Remove the foreign particles from electronic throttle control.	Perform the diagnosis of DTC P2101.

BY:DTC P0512 STARTER REQUEST CIRCUIT

DTC DETECTING CONDITION:

- Two consecutive driving cycles with fault
- GENERAL DESCRIPTION <Ref. to GD(H4SO)-143, DTC P0512 STARTER REQUEST CIRCUIT, Diagnostic Trouble Code (DTC) Detecting Criteria.>

TROUBLE SYMPTOM:

Failure of engine to start

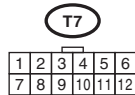
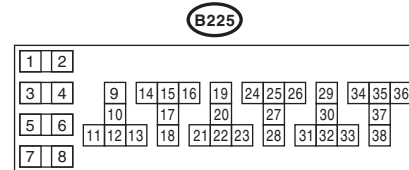
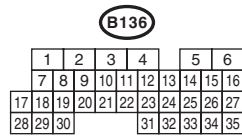
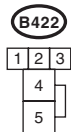
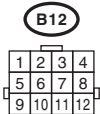
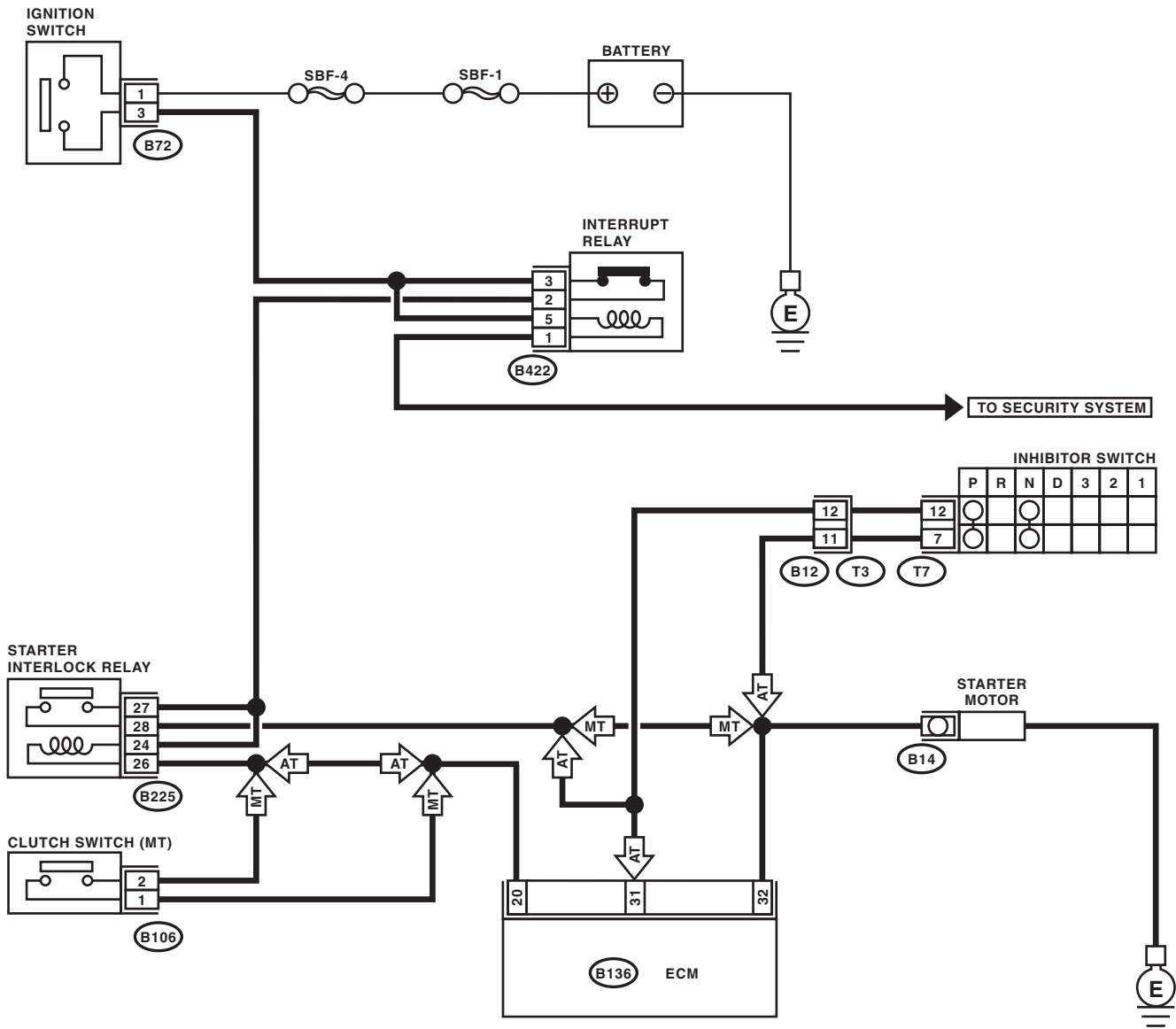
CAUTION:

After repair or replacement of faulty parts, conduct Clear Memory Mode <Ref. to EN(H4SO)(diag)-46, OPERATION, Clear Memory Mode.> and Inspection Mode <Ref. to EN(H4SO)(diag)-36, PROCEDURE, Inspection Mode.>.

Diagnostic Procedure with Diagnostic Trouble Code (DTC)

ENGINE (DIAGNOSTICS)

WIRING DIAGRAM:



EN-04637

Diagnostic Procedure with Diagnostic Trouble Code (DTC)

ENGINE (DIAGNOSTICS)

Step	Check	Yes	No
1 CHECK OPERATION OF STARTER MOTOR. Turn the ignition switch to ON. NOTE: Place the inhibitor switch in each position. (AT model) Depress or release the clutch pedal. (MT model)	Does the starter motor operate?	Repair battery short circuit in starter motor circuit.	Check starter motor circuit. <Ref. to EN(H4SO)(diag)-59, STARTER MOTOR CIRCUIT, Diagnostics for Engine Starting Failure.>

BZ:DTC P0519 IDLE CONTROL SYSTEM MALFUNCTION (FAIL-SAFE)

DTC DETECTING CONDITION:

- Immediately at fault recognition
- GENERAL DESCRIPTION <Ref. to GD(H4SO)-145, DTC P0519 IDLE CONTROL SYSTEM MALFUNCTION (FAIL-SAFE), Diagnostic Trouble Code (DTC) Detecting Criteria.>

TROUBLE SYMPTOM:

Engine keeps running at higher revolution than specified idling revolution.

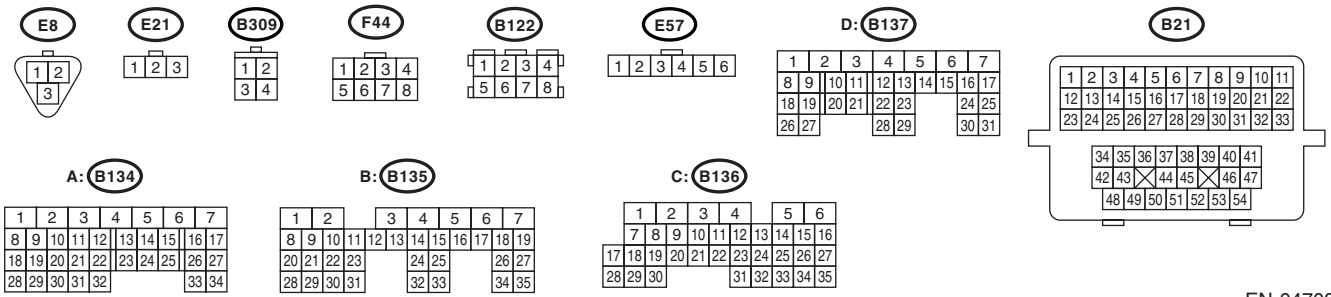
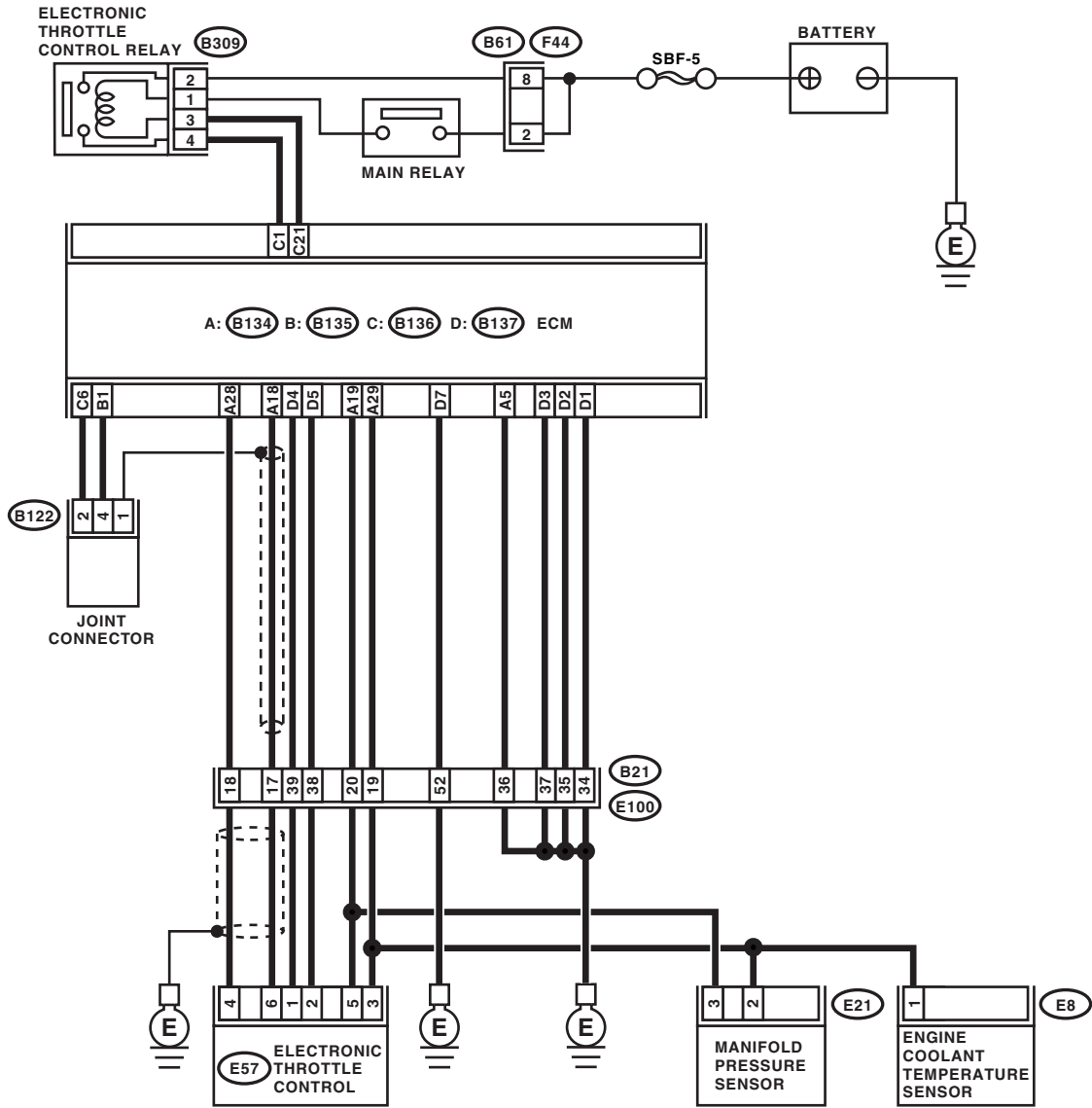
CAUTION:

After repair or replacement of faulty parts, conduct Clear Memory Mode <Ref. to EN(H4SO)(diag)-46, OPERATION, Clear Memory Mode.> and Inspection Mode <Ref. to EN(H4SO)(diag)-36, PROCEDURE, Inspection Mode.>.

Diagnostic Procedure with Diagnostic Trouble Code (DTC)

ENGINE (DIAGNOSTICS)

WIRING DIAGRAM:



EN-04700

Diagnostic Procedure with Diagnostic Trouble Code (DTC)

ENGINE (DIAGNOSTICS)

Step	Check	Yes	No
1 CHECK ANY OTHER DTC ON DISPLAY.	Is any other DTC displayed?	Inspect the relevant DTC using "List of Diagnostic Trouble Code (DTC)". <Ref. to EN(H4SO)(diag)-73, List of Diagnostic Trouble Code (DTC).> NOTE: In this case, it is not necessary to inspect DTC P0519.	Go to step 2.
2 CHECK AIR INTAKE SYSTEM. 1) Turn the ignition switch to ON. 2) Start the engine, and idle it. 3) Check the following items. <ul style="list-style-type: none"> • Loose installation of intake manifold and throttle body • Cracks of intake manifold gasket and throttle body gasket • Disconnections of vacuum hoses 	Is there a fault in air intake system?	Repair the air suction and leaks.	Go to step 3.
3 CHECK ELECTRIC THROTTLE. 1) Turn the ignition switch to OFF. 2) Remove the electric throttle. 3) Check the electric throttle.	Are there foreign particles in electric throttle?	Remove the foreign particles from electric throttle.	Perform the diagnosis of DTC P2101.

Diagnostic Procedure with Diagnostic Trouble Code (DTC)

ENGINE (DIAGNOSTICS)

CA:DTC P0600 SERIAL COMMUNICATION LINK

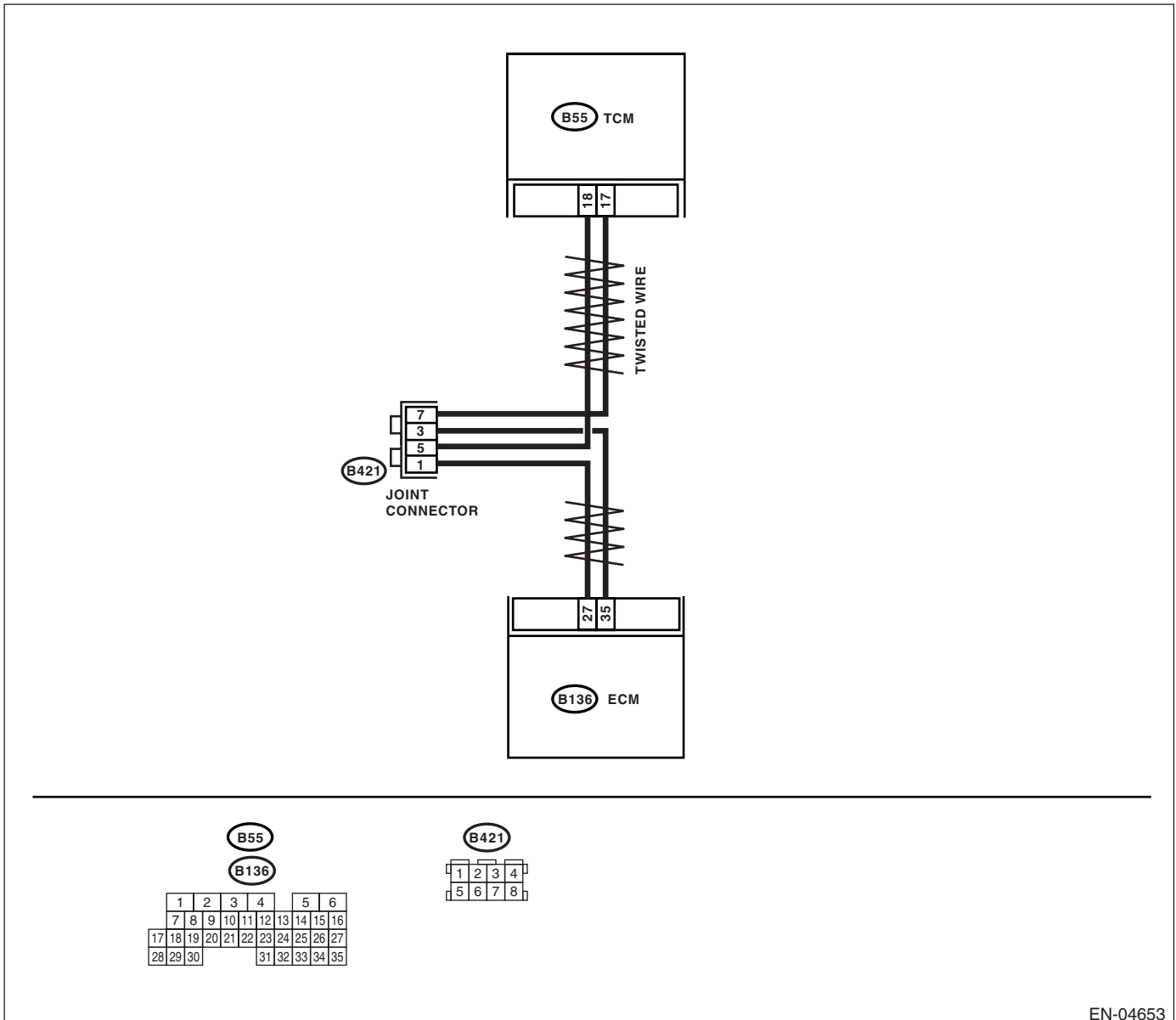
DTC DETECTING CONDITION:

- Immediately at fault recognition
- GENERAL DESCRIPTION <Ref. to GD(H4SO)-146, DTC P0600 SERIAL COMMUNICATION LINK, Diagnostic Trouble Code (DTC) Detecting Criteria.>

CAUTION:

After repair or replacement of faulty parts, conduct Clear Memory Mode <Ref. to EN(H4SO)(diag)-46, OPERATION, Clear Memory Mode.> and Inspection Mode <Ref. to EN(H4SO)(diag)-36, PROCEDURE, Inspection Mode.>.

WIRING DIAGRAM:



EN-04653

Diagnostic Procedure with Diagnostic Trouble Code (DTC)

ENGINE (DIAGNOSTICS)

Step	Check	Yes	No
1 CHECK HARNESS BETWEEN ECM AND TCM. 1) Turn the ignition switch to ON. 2) Disconnect the connector from ECM. 3) Disconnect the connector from TCM. 4) Measure the resistance between ECM and TCM. <i>Connector & terminal</i> <i>(B136) No. 35 — (B55) No. 17:</i> <i>(B136) No. 27 — (B55) No. 18:</i>	Is the measured value less than 1 Ω?	Go to step 2.	Repair the harness or connector.
2 CHECK HARNESS BETWEEN ECM AND TCM. Measure the resistance between ECM connector and chassis ground. <i>Connector & terminal</i> <i>(B136) No. 35 — Chassis ground:</i> <i>(B136) No. 27 — Chassis ground:</i>	Is the measured value more than 1 MΩ?	Go to step 3.	Repair the harness or connector.
3 CHECK HARNESS BETWEEN ECM AND TCM. Check the resistance between ECM connectors. <i>Connector & terminal</i> <i>(B136) No. 35 — (B136) No. 27:</i>	Is the measured value more than 1 MΩ?	Go to step 4.	Repair the harness or connector.
4 CHECK STATUS OF AT SYSTEM. Perform AT diagnosis using Subaru Select Monitor. Check if DTC P1718 is displayed.	Is DTC P1718 displayed?	Check AT system.	Replace the ECM. <Ref. to FU(H4SO)-38, Engine Control Module (ECM).>

Diagnostic Procedure with Diagnostic Trouble Code (DTC)

ENGINE (DIAGNOSTICS)

CB:DTC P0604 INTERNAL CONTROL MODULE RANDOM ACCESS MEMORY (RAM) ERROR

DTC DETECTING CONDITION:

- Immediately at fault recognition
- GENERAL DESCRIPTION <Ref. to GD(H4SO)-147, DTC P0604 INTERNAL CONTROL MODULE RANDOM ACCESS MEMORY (RAM) ERROR, Diagnostic Trouble Code (DTC) Detecting Criteria.>

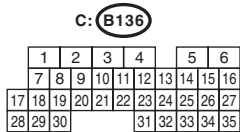
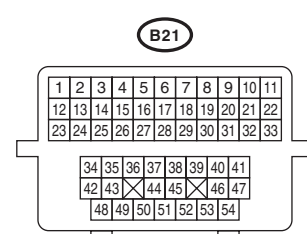
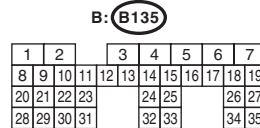
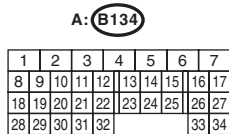
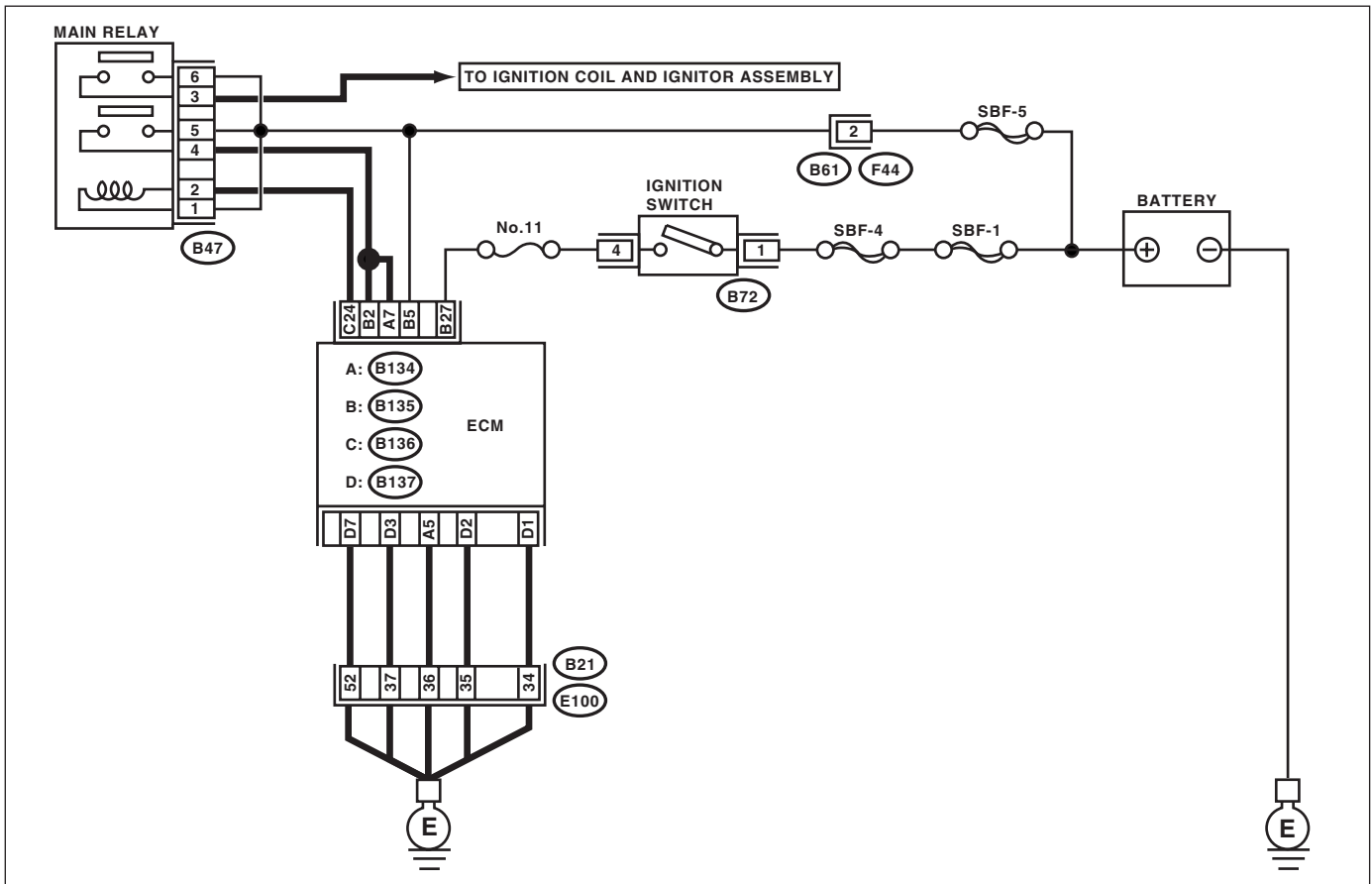
TROUBLE SYMPTOM:

- Engine does not start.
- Engine stalls.

CAUTION:

After repair or replacement of faulty parts, conduct Clear Memory Mode <Ref. to EN(H4SO)(diag)-46, OPERATION, Clear Memory Mode.> and Inspection Mode <Ref. to EN(H4SO)(diag)-36, PROCEDURE, Inspection Mode.>.

WIRING DIAGRAM:



EN-04696

Diagnostic Procedure with Diagnostic Trouble Code (DTC)

ENGINE (DIAGNOSTICS)

Step	Check	Yes	No
1 CHECK ANY OTHER DTC ON DISPLAY.	Is any other DTC displayed?	Check the relevant DTC using the List of Diagnostic Trouble Code (DTC). <Ref. to EN(H4SO)(diag)-73, List of Diagnostic Trouble Code (DTC).>	A temporary poor contact occurs.

CC:DTC P0605 INTERNAL CONTROL MODULE READ ONLY MEMORY (ROM) ERROR

NOTE:

For the diagnostic procedure, refer to DTC P0607. <Ref. to EN(H4SO)(diag)-262, DTC P0607 CONTROL MODULE PERFORMANCE, Diagnostic Procedure with Diagnostic Trouble Code (DTC).>

Diagnostic Procedure with Diagnostic Trouble Code (DTC)

ENGINE (DIAGNOSTICS)

CD:DTC P0607 CONTROL MODULE PERFORMANCE

DTC DETECTING CONDITION:

- Immediately at fault recognition
- GENERAL DESCRIPTION <Ref. to GD(H4SO)-148, DTC P0605 INTERNAL CONTROL MODULE READ ONLY MEMORY (ROM) ERROR, Diagnostic Trouble Code (DTC) Detecting Criteria.> and <Ref. to GD(H4SO)-149, DTC P0607 CONTROL MODULE PERFORMANCE, Diagnostic Trouble Code (DTC) Detecting Criteria.>

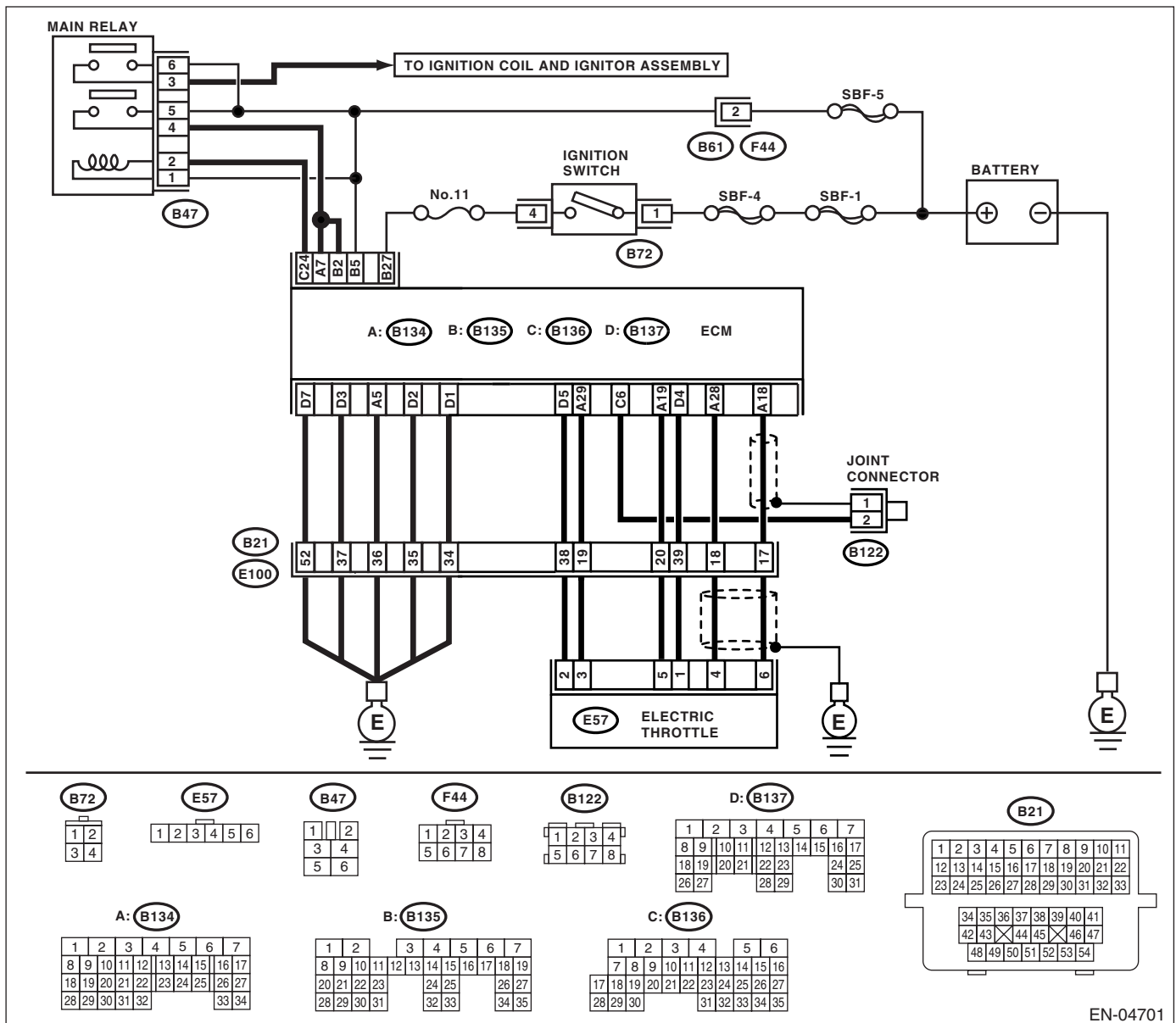
TROUBLE SYMPTOM:

- Erroneous idling
- Poor driving performance

CAUTION:

After repair or replacement of faulty parts, conduct Clear Memory Mode <Ref. to EN(H4SO)(diag)-46, OPERATION, Clear Memory Mode.> and Inspection Mode <Ref. to EN(H4SO)(diag)-36, PROCEDURE, Inspection Mode.>.

WIRING DIAGRAM:



EN-04701

Diagnostic Procedure with Diagnostic Trouble Code (DTC)

ENGINE (DIAGNOSTICS)

Step	Check	Yes	No
1 CHECK INPUT VOLTAGE OF ECM 1) Turn the ignition switch to ON. 2) Measure the voltage between ECM connector and chassis ground. <i>Connector & terminal</i> <i>(B134) No. 7 (+) — Chassis ground (-):</i> <i>(B135) No. 2 (+) — Chassis ground (-):</i>	Is the voltage 10 — 13 V?	Go to step 2.	Repair the open circuit or ground short of power supply circuit.
2 CHECK INPUT VOLTAGE OF ECM 1) Start the engine. 2) Measure the voltage between ECM connector and chassis ground. <i>Connector & terminal</i> <i>(B134) No. 7 (+) — Chassis ground (-):</i> <i>(B135) No. 2 (+) — Chassis ground (-):</i>	Is the voltage 13 — 15 V?	Go to step 3.	Repair the open circuit or ground short of power supply circuit.
3 CHECK HARNESS BETWEEN ECM AND ELECTRONIC THROTTLE CONTROL. 1) Turn the ignition switch to OFF. 2) Disconnect the connector from ECM and electronic throttle control. 3) Measure the resistance of harness between ECM and electronic throttle control. <i>Connector & terminal</i> <i>(E57) No. 5 — (B134) No. 19:</i> <i>(E57) No. 3 — (B134) No. 29:</i>	Is the resistance less than 1 Ω ?	Go to step 4.	Repair the open circuit in harness between ECM and electronic throttle control.
4 CHECK GROUND HARNESS OF ECM Measure the voltage between ECM connector and chassis ground. <i>Connector & terminal</i> <i>(B134) No. 5 (+) — Chassis ground (-):</i> <i>(B137) No. 7 (+) — Chassis ground (-):</i> <i>(B137) No. 1 (+) — Chassis ground (-):</i> <i>(B137) No. 2 (+) — Chassis ground (-):</i> <i>(B137) No. 3 (+) — Chassis ground (-):</i>	Is the voltage less than 1 V?	Replace the ECM. <Ref. to FU(H4SO)-38, Engine Control Module (ECM).>	Repair the following items. <ul style="list-style-type: none"> • Retighten the engine ground terminal. • Poor contact in ECM connector • Poor contact in coupling connector

CE:DTC P0638 THROTTLE ACTUATOR CONTROL RANGE/PERFORMANCE (BANK 1)

NOTE:

For the diagnostic procedure, refer to DTC P2101. <Ref. to EN(H4SO)(diag)-312, DTC P2101 THROTTLE ACTUATOR CONTROL MOTOR CIRCUIT RANGE/PERFORMANCE, Diagnostic Procedure with Diagnostic Trouble Code (DTC).>

Diagnostic Procedure with Diagnostic Trouble Code (DTC)

ENGINE (DIAGNOSTICS)

CF:DTC P0691 COOLING FAN 1 CONTROL CIRCUIT LOW

DTC DETECTING CONDITION:

- Two consecutive driving cycles with fault
- GENERAL DESCRIPTION <Ref. to GD(H4SO)-153, DTC P0691 COOLING FAN 1 CONTROL CIRCUIT LOW, Diagnostic Trouble Code (DTC) Detecting Criteria.>

TROUBLE SYMPTOM:

- Radiator fan does not operate properly.
- Overheating

CAUTION:

After repair or replacement of faulty parts, conduct Clear Memory Mode <Ref. to EN(H4SO)(diag)-46, OPERATION, Clear Memory Mode.> and Inspection Mode <Ref. to EN(H4SO)(diag)-36, PROCEDURE, Inspection Mode.>.

Step	Check	Yes	No
1 CHECK FOR ANY OTHER DTC ON DISPLAY.	Is the DTC P0691 displayed?	Check the radiator fan relay. <Ref. to CO(H4SO)-6, Radiator Main Fan System.> <Ref. to CO(H4SO)-11, Radiator Sub Fan System.>	A temporary poor contact occurs.

CG:DTC P0692 COOLING FAN 1 CONTROL CIRCUIT HIGH

DTC DETECTING CONDITION:

- Two consecutive driving cycles with fault
- GENERAL DESCRIPTION <Ref. to GD(H4SO)-154, DTC P0692 COOLING FAN 1 CONTROL CIRCUIT HIGH, Diagnostic Trouble Code (DTC) Detecting Criteria.>

TROUBLE SYMPTOM:

- Radiator fan does not operate properly.
- Overheating

CAUTION:

After repair or replacement of faulty parts, conduct Clear Memory Mode <Ref. to EN(H4SO)(diag)-46, OPERATION, Clear Memory Mode.> and Inspection Mode <Ref. to EN(H4SO)(diag)-36, PROCEDURE, Inspection Mode.>.

Step	Check	Yes	No
1 CHECK FOR ANY OTHER DTC ON DISPLAY.	Is the DTC P0692 displayed?	Check the radiator fan relay. <Ref. to CO(H4SO)-6, Radiator Main Fan System.> <Ref. to CO(H4SO)-11, Radiator Sub Fan System.>	A temporary poor contact occurs.

CH:DTC P0700 TRANSMISSION CONTROL SYSTEM (MIL REQUEST)

GENERAL DESCRIPTION <Ref. to GD(H4SO)-155, DTC P0700 TRANSMISSION CONTROL SYSTEM (MIL REQUEST), Diagnostic Trouble Code (DTC) Detecting Criteria.>

NOTE:

For the diagnostic procedure, refer to AT section. <Ref. to 4AT(D)(diag)-2, PROCEDURE, Basic Diagnostic Procedure.>

Diagnostic Procedure with Diagnostic Trouble Code (DTC)

ENGINE (DIAGNOSTICS)

CI: DTC P0851 NEUTRAL SWITCH INPUT CIRCUIT LOW (AT MODEL)

DTC DETECTING CONDITION:

- Two consecutive driving cycles with fault
- GENERAL DESCRIPTION <Ref. to GD(H4SO)-156, DTC P0851 NEUTRAL SWITCH INPUT CIRCUIT LOW (AT MODEL), Diagnostic Trouble Code (DTC) Detecting Criteria.>

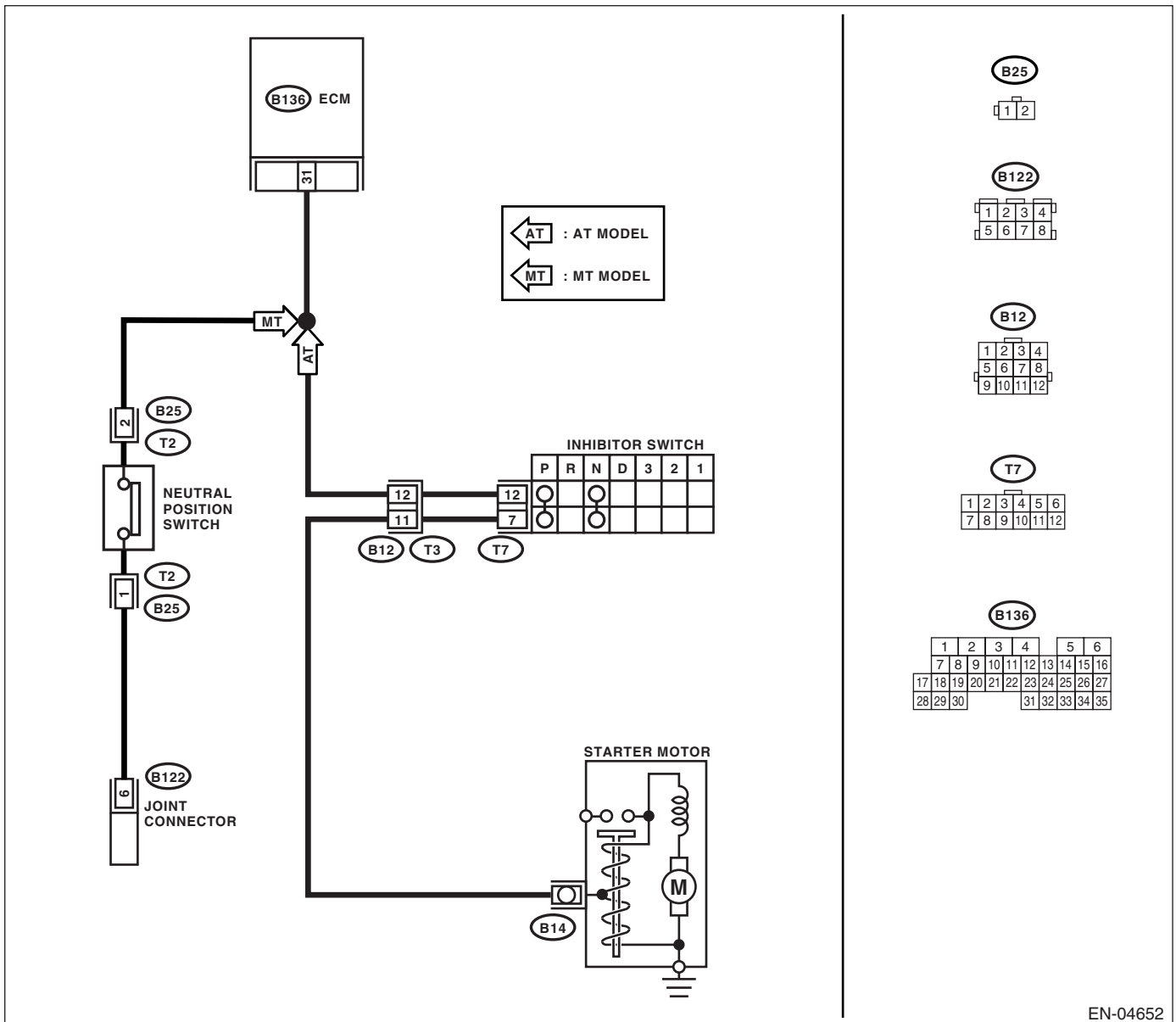
TROUBLE SYMPTOM:

Erroneous idling

CAUTION:

After repair or replacement of faulty parts, conduct Clear Memory Mode <Ref. to EN(H4SO)(diag)-46, OPERATION, Clear Memory Mode.> and Inspection Mode <Ref. to EN(H4SO)(diag)-36, PROCEDURE, Inspection Mode.>.

WIRING DIAGRAM:



Diagnostic Procedure with Diagnostic Trouble Code (DTC)

ENGINE (DIAGNOSTICS)

Step	Check	Yes	No
1 CHECK ANY OTHER DTC ON DISPLAY.	Is any other DTC displayed?	Inspect DTC P0705 using "List of Diagnostic Trouble Code (DTC)". <Ref. to EN(H4SO)(diag)-73, List of Diagnostic Trouble Code (DTC).>	Go to step 2.
2 CHECK INPUT SIGNAL FOR ECM. 1) Turn the ignition switch to ON. 2) Place the select lever except for "N" and "P" ranges. 3) Measure the voltage between ECM and chassis ground. Connector & terminal (B136) No. 31 (+) — Chassis ground (-):	Is the voltage 4.5 — 5.5 V?	Even if malfunction indicator light lights up, the circuit has returned to a normal condition at this time.	Go to step 3.
3 CHECK HARNESS BETWEEN ECM AND TRANSMISSION HARNESS CONNECTOR. 1) Turn the ignition switch to OFF. 2) Disconnect the connectors from ECM and transmission harness connector (T3). 3) Measure the resistance of harness between ECM connector and chassis ground. Connector & terminal (B136) No. 31 — Chassis ground:	Is the resistance more than 1 MΩ?	Go to step 4.	Repair ground short circuit in harness between ECM and transmission harness connector.
4 CHECK TRANSMISSION HARNESS CONNECTOR. 1) Disconnect the connector from inhibitor switch. 2) Measure the resistance of harness between transmission harness connector and engine ground. Connector & terminal (T3) No. 12 — Engine ground:	Is the resistance more than 1 MΩ?	Go to step 5.	Repair ground short circuit in harness between transmission harness and inhibitor switch connector.
5 CHECK INHIBITOR SWITCH. Measure the resistance between inhibitor switch connector the receptacle's terminals in select lever except for "N" and "P" range. Terminals No. 7 — No. 12:	Is the resistance more than 1 MΩ?	Go to step 6.	Replace the inhibitor switch. <Ref. to 4AT-48, Inhibitor Switch.>
6 CHECK SELECTOR CABLE CONNECTION.	Is there any fault in selector cable connection to inhibitor switch?	Repair selector cable connection. <Ref. to CS-28, INSPECTION, Select Cable.>	Contact your SOA Service Center since deterioration of some parts may be the cause.

Diagnostic Procedure with Diagnostic Trouble Code (DTC)

ENGINE (DIAGNOSTICS)

CJ:DTC P0851 NEUTRAL SWITCH INPUT CIRCUIT LOW (MT MODEL)

DTC DETECTING CONDITION:

- Two consecutive driving cycles with fault
- GENERAL DESCRIPTION <Ref. to GD(H4SO)-157, DTC P0851 NEUTRAL SWITCH INPUT CIRCUIT LOW (MT MODEL), Diagnostic Trouble Code (DTC) Detecting Criteria.>

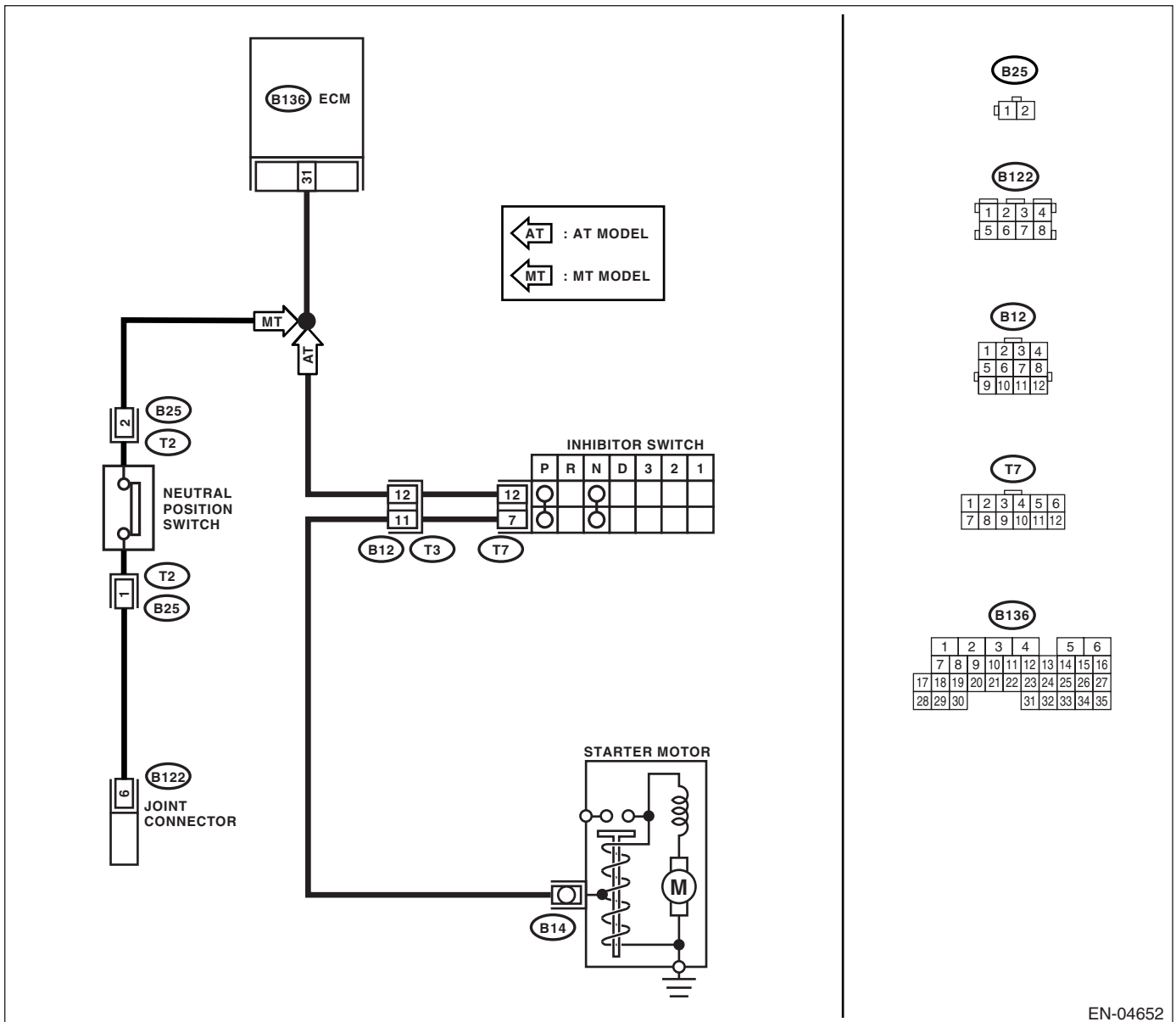
TROUBLE SYMPTOM:

Erroneous idling

CAUTION:

After repair or replacement of faulty parts, conduct Clear Memory Mode <Ref. to EN(H4SO)(diag)-46, OPERATION, Clear Memory Mode.> and Inspection Mode <Ref. to EN(H4SO)(diag)-36, PROCEDURE, Inspection Mode.>.

WIRING DIAGRAM:



EN-04652

Diagnostic Procedure with Diagnostic Trouble Code (DTC)

ENGINE (DIAGNOSTICS)

Step	Check	Yes	No
1 CHECK INPUT SIGNAL FOR ECM. 1) Turn the ignition switch to ON. 2) Place the shift lever in a position neutral. 3) Measure the voltage between ECM and chassis ground. Connector & terminal (B136) No. 31 (+) — Chassis ground (-):	Is the voltage less than 1 V?	Go to step 2.	Go to step 4.
2 CHECK INPUT SIGNAL FOR ECM. 1) Place the shift lever in neutral. 2) Measure the voltage between ECM and chassis ground. Connector & terminal (B136) No. 31 (+) — Chassis ground (-):	Is the voltage more than 10 V?	Go to step 3.	Go to step 4.
3 CHECK POOR CONTACT. Check poor contact in ECM connector.	Is there poor contact in ECM connector?	Repair poor contact in ECM connector.	Contact your SOA Service Center since deterioration of some parts may be the cause.
4 CHECK NEUTRAL POSITION SWITCH. 1) Turn the ignition switch to OFF. 2) Disconnect the connector from transmission harness. 3) Place the shift lever in a position neutral. 4) Measure the resistance between transmission harness and connector terminals. Connector & terminal (T2) No. 1 — No. 2:	Is the resistance less than 1 Ω ?	Go to step 5.	Repair short circuit in transmission harness or replace neutral position switch.
5 CHECK NEUTRAL POSITION SWITCH. 1) Place the shift lever in neutral. 2) Measure the resistance between transmission harness connector terminals. Connector & terminal (T2) No. 1 — No. 2:	Is the resistance more than 1 M Ω ?	Go to step 6.	Repair short circuit in transmission harness or replace neutral position switch.
6 CHECK HARNESS BETWEEN ECM AND NEUTRAL POSITION SWITCH CONNECTOR. Measure the resistance between ECM and chassis ground. Connector & terminal (B136) No. 31 — Chassis ground:	Is the resistance less than 1 Ω ?	Go to step 7.	Repair ground short circuit in harness between ECM and transmission harness connector.
7 CHECK HARNESS BETWEEN ECM AND NEUTRAL POSITION SWITCH CONNECTOR. 1) Disconnect the connector from ECM. 2) Measure the resistance of harness between ECM and transmission harness connector. Connector & terminal (B136) No. 31 — (B25) No. 2:	Is the resistance more than 1 M Ω ?	Go to step 8.	Repair open circuit in harness between ECM and transmission harness connector.
8 CHECK HARNESS BETWEEN ECM AND NEUTRAL POSITION SWITCH CONNECTOR. Measure the resistance of harness between transmission harness connector and engine ground. Connector & terminal (B25) No. 1 — Engine ground:	Is the resistance less than 5 Ω ?	Go to step 9.	Repair open circuit in harness between transmission harness connector and engine ground terminal.

Diagnostic Procedure with Diagnostic Trouble Code (DTC)

ENGINE (DIAGNOSTICS)

	Step	Check	Yes	No
9	CHECK POOR CONTACT. Check poor contact in transmission harness connector.	Is there poor contact in transmission harness connector?	Repair poor contact in transmission harness connector.	Contact your SOA Service Center since deterioration of some parts may be the cause.

Diagnostic Procedure with Diagnostic Trouble Code (DTC)

ENGINE (DIAGNOSTICS)

CK:DTC P0852 NEUTRAL SWITCH INPUT CIRCUIT HIGH (AT MODEL)

DTC DETECTING CONDITION:

- Two consecutive driving cycles with fault
- GENERAL DESCRIPTION <Ref. to GD(H4SO)-158, DTC P0852 NEUTRAL SWITCH INPUT CIRCUIT HIGH (AT MODEL), Diagnostic Trouble Code (DTC) Detecting Criteria.>

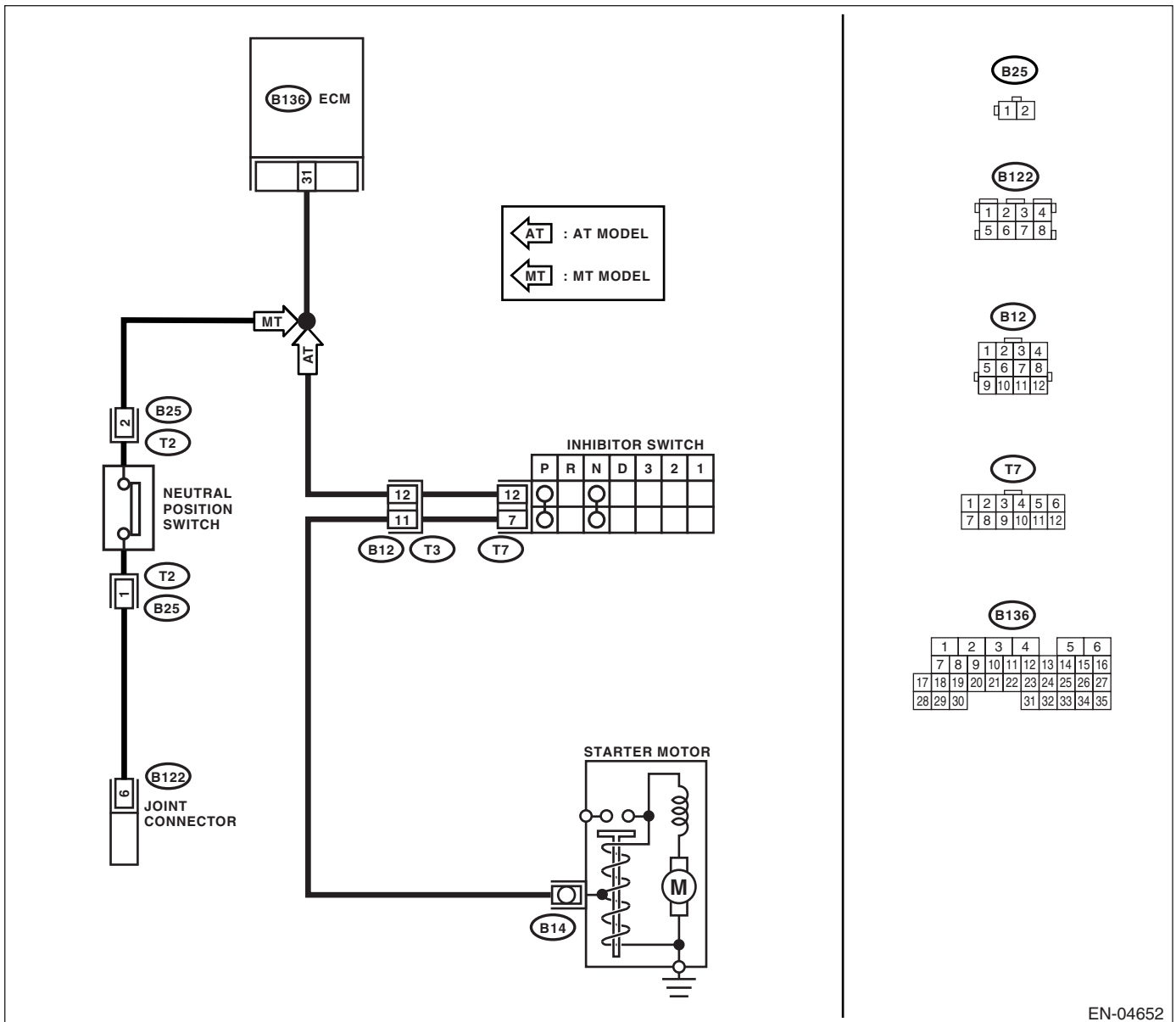
TROUBLE SYMPTOM:

Erroneous idling

CAUTION:

After repair or replacement of faulty parts, conduct Clear Memory Mode <Ref. to EN(H4SO)(diag)-46, OPERATION, Clear Memory Mode.> and Inspection Mode <Ref. to EN(H4SO)(diag)-36, PROCEDURE, Inspection Mode.>.

WIRING DIAGRAM:



Diagnostic Procedure with Diagnostic Trouble Code (DTC)

ENGINE (DIAGNOSTICS)

Step	Check	Yes	No
1 CHECK ANY OTHER DTC ON DISPLAY.	Is any other DTC displayed?	Inspect DTC using "List of Diagnostic Trouble Code (DTC)". <Ref. to EN(H4SO)(diag)-73, List of Diagnostic Trouble Code (DTC).>	Go to step 2.
2 CHECK INPUT SIGNAL FOR ECM. 1) Turn the ignition switch to ON. 2) Measure the voltage between ECM and chassis ground in select lever "N" and "P" ranges. Connector & terminal (B136) No. 31 (+) — Chassis ground (-):	Is the voltage less than 1 V?	Go to step 3.	Go to step 5.
3 CHECK INPUT SIGNAL FOR ECM. Measure the voltage between ECM and chassis ground in select lever except for "N" and "P" ranges. Connector & terminal (B136) No. 31 (+) — Chassis ground (-):	Is the voltage 4.5 — 5.5 V?	Go to step 4.	Go to step 5.
4 CHECK POOR CONTACT. Check poor contact in ECM connector.	Is there poor contact in ECM connector?	Repair poor contact in ECM connector.	Contact your SOA Service Center since deterioration of some parts may be the cause.
5 CHECK INPUT SIGNAL FOR ECM. Measure the voltage between ECM and chassis ground. Connector & terminal (B136) No. 31 (+) — Chassis ground (-):	Is the voltage more than 10 V?	Repair battery short circuit in harness between ECM and inhibitor switch connector.	Go to step 6.
6 CHECK HARNESS BETWEEN ECM AND INHIBITOR SWITCH CONNECTOR. 1) Turn the ignition switch to OFF. 2) Disconnect the connectors from ECM and inhibitor switch. 3) Measure the resistance of harness between ECM and inhibitor switch connector. Connector & terminal (B136) No. 31 — (T7) No. 12:	Is the resistance less than 1 Ω ?	Go to step 7.	Repair harness and connector. NOTE: In this case, repair the following: <ul style="list-style-type: none"> • Open circuit in harness between ECM and inhibitor switch connector • Poor contact in coupling connector • Poor contact in inhibitor switch connector • Poor contact in ECM connector

Diagnostic Procedure with Diagnostic Trouble Code (DTC)

ENGINE (DIAGNOSTICS)

Step	Check	Yes	No
7 CHECK INHIBITOR SWITCH GROUND LINE. Measure the resistance of harness between inhibitor switch connector and engine ground. <i>Connector & terminal</i> <i>(T7) No. 12 — Engine ground:</i>	Is the resistance less than 5 Ω ?	Go to step 8 .	Repair open circuit in harness between inhibitor switch connector and starter motor ground line. NOTE: In this case, repair the following: <ul style="list-style-type: none"> • Open circuit in harness between inhibitor switch connector and starter motor ground line • Poor contact in starter motor connector • Poor contact in starter motor ground • Starter motor
8 CHECK INHIBITOR SWITCH. Measure the resistance between inhibitor switch connector receptacle's terminals in select lever "N" and "P" ranges. <i>Terminals</i> <i>No. 7 — No. 12:</i>	Is the resistance less than 1 Ω ?	Go to step 9 .	Replace the inhibitor switch. <Ref. to 4AT-48, Inhibitor Switch.>
9 CHECK SELECTOR CABLE CONNECTION.	Is there any fault in selector cable connection to inhibitor switch?	Repair selector cable connection. <Ref. to CS-28, INSPECTION, Select Cable.>	Contact your SOA Service Center since deterioration of some parts may be the cause.

Diagnostic Procedure with Diagnostic Trouble Code (DTC)

ENGINE (DIAGNOSTICS)

CL:DTC P0852 NEUTRAL SWITCH INPUT CIRCUIT HIGH (MT MODEL)

DTC DETECTING CONDITION:

- Two consecutive driving cycles with fault
- GENERAL DESCRIPTION <Ref. to GD(H4SO)-159, DTC P0852 NEUTRAL SWITCH INPUT CIRCUIT HIGH (MT MODEL), Diagnostic Trouble Code (DTC) Detecting Criteria.>

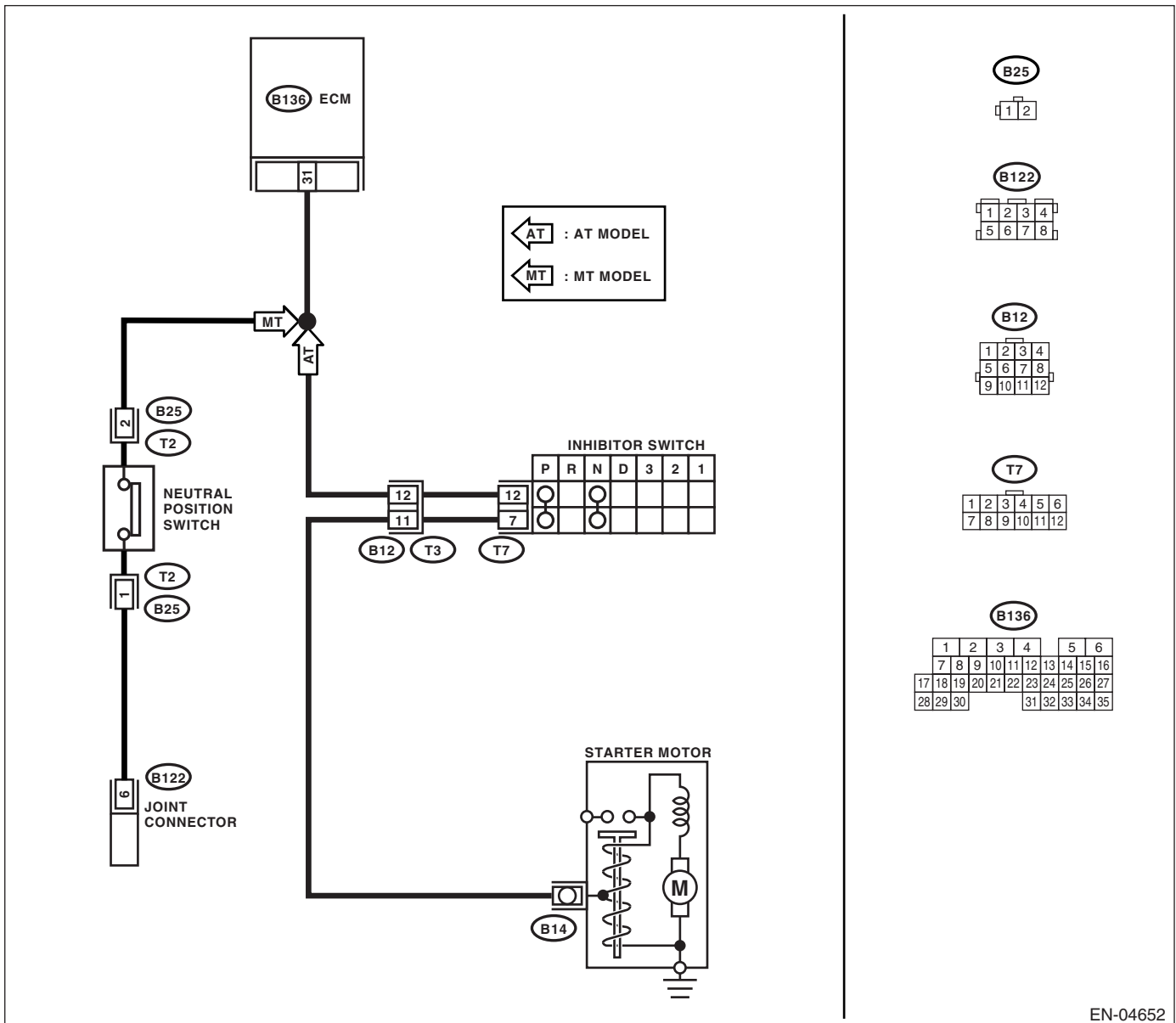
TROUBLE SYMPTOM:

Erroneous idling

CAUTION:

After repair or replacement of faulty parts, conduct Clear Memory Mode <Ref. to EN(H4SO)(diag)-46, OPERATION, Clear Memory Mode.> and Inspection Mode <Ref. to EN(H4SO)(diag)-36, PROCEDURE, Inspection Mode.>.

WIRING DIAGRAM:



EN-04652

Diagnostic Procedure with Diagnostic Trouble Code (DTC)

ENGINE (DIAGNOSTICS)

Step	Check	Yes	No
1 CHECK INPUT SIGNAL FOR ECM. 1) Turn ignition switch to ON. 2) Place the shift lever in a position except for neutral. 3) Measure the voltage between ECM and chassis ground. Connector & terminal (B136) No. 31 (+) — Chassis ground (-):	Is the voltage more than 10 V?	Go to step 2.	Go to step 4.
2 CHECK INPUT SIGNAL FOR ECM. 1) Place the shift lever in a position except for neutral. 2) Measure the voltage between ECM and chassis ground. Connector & terminal (B136) No. 31 (+) — Chassis ground (-):	Is the voltage less than 1 V?	Go to step 3.	Go to step 5.
3 CHECK FOR POOR CONTACT. Check for poor contact in ECM connector.	Is there poor contact in ECM connector?	Repair poor contact in ECM connector.	Contact your SOA Service Center since deterioration of some parts may be the cause.
4 CHECK NEUTRAL SWITCH. 1) Place the shift lever in neutral. 2) Measure the resistance between transmission harness connector terminals. Connector & terminal (T2) No. 1 — No. 2:	Is the resistance more than 1 M Ω ?	Go to step 5.	Repair open circuit in transmission harness or replace neutral switch.
5 CHECK HARNESS BETWEEN ECM AND NEUTRAL SWITCH CONNECTOR. 1) Disconnect the connector from ECM. 2) Measure the resistance of harness between ECM and transmission harness connector. Connector & terminal (B136) No. 31 — (B25) No. 2:	Is the resistance less than 1 Ω ?	Go to step 6.	Repair open circuit in harness between ECM and transmission harness connector.
6 CHECK HARNESS BETWEEN ECM AND NEUTRAL SWITCH CONNECTOR. Measure the resistance of harness between transmission harness connector and engine ground. Connector & terminal (B25) No. 1 — Engine ground:	Is the resistance less than 5 Ω ?	Go to step 7.	Repair harness and connector. NOTE: In this case, repair the following: • Open circuit in harness between transmission harness connector and engine ground • Poor contact in coupling connector
7 CHECK FOR POOR CONTACT. Check for poor contact in transmission harness connector.	Is there a poor contact in the transmission harness connector?	Repair poor contact in transmission harness connector.	Contact your SOA Service Center since deterioration of some parts may be the cause.

CM:DTC P1152 O₂ SENSOR CIRCUIT RANGE/PERFORMANCE (LOW) (BANK 1 SENSOR 1)

DTC DETECTING CONDITION:

- Two consecutive driving cycles with fault
- GENERAL DESCRIPTION <Ref. to GD(H4SO)-160, DTC P1152 O₂ SENSOR CIRCUIT RANGE/PERFORMANCE (LOW) (BANK1 SENSOR1), Diagnostic Trouble Code (DTC) Detecting Criteria.>

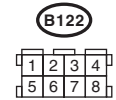
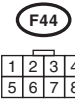
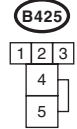
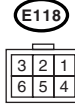
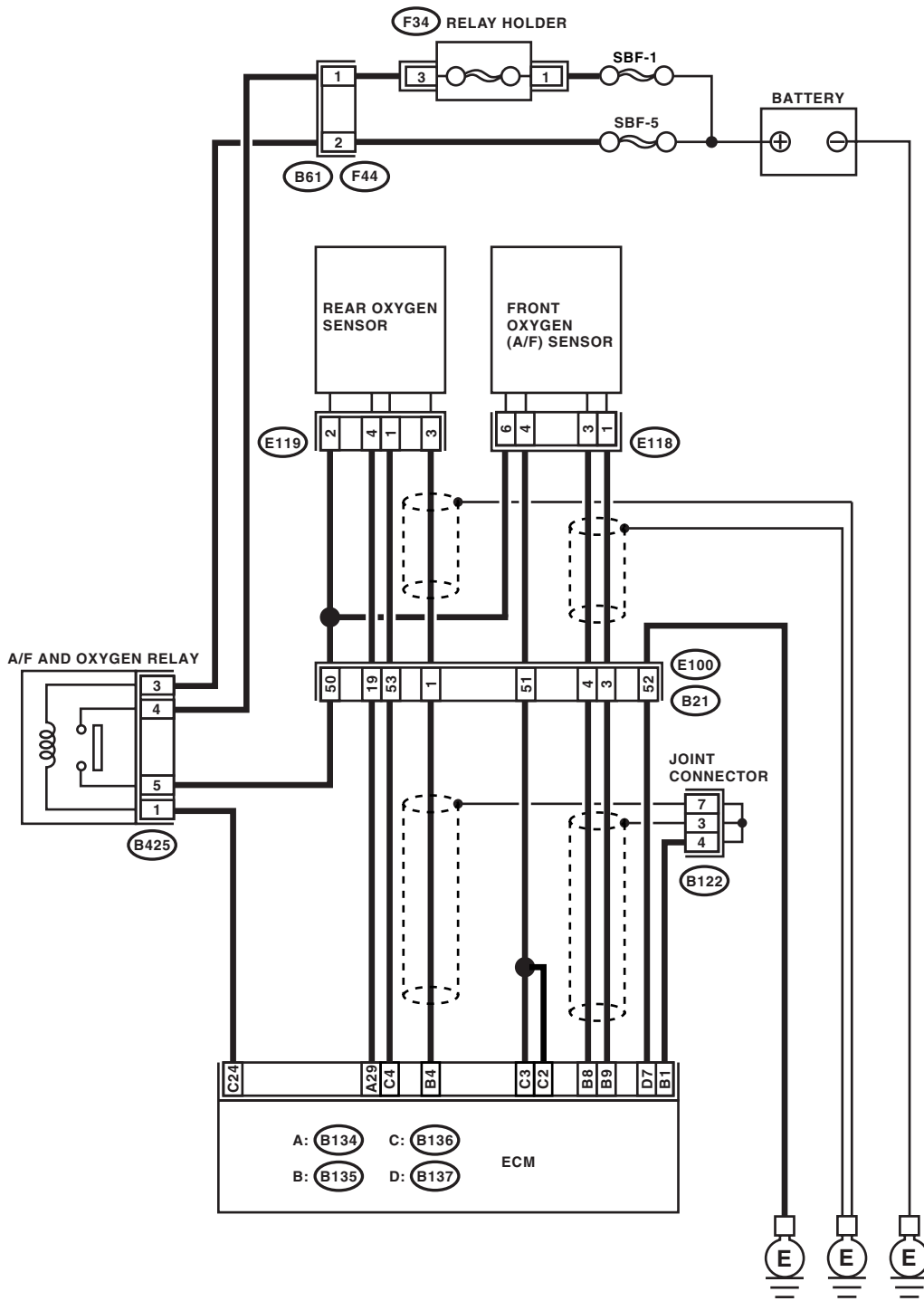
CAUTION:

After repair or replacement of faulty parts, conduct Clear Memory Mode <Ref. to EN(H4SO)(diag)-46, OPERATION, Clear Memory Mode.> and Inspection Mode <Ref. to EN(H4SO)(diag)-36, PROCEDURE, Inspection Mode.>.

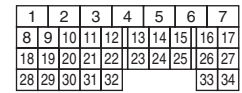
Diagnostic Procedure with Diagnostic Trouble Code (DTC)

ENGINE (DIAGNOSTICS)

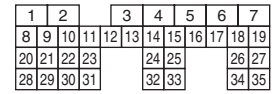
WIRING DIAGRAM:



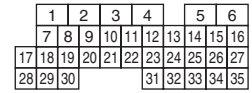
A: **B134**



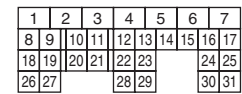
B: **B135**



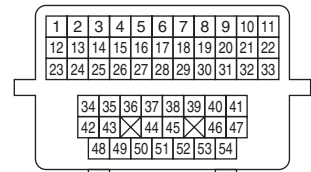
C: **B136**



D: **B137**



B21



EN-04626

Diagnostic Procedure with Diagnostic Trouble Code (DTC)

ENGINE (DIAGNOSTICS)

Step	Check	Yes	No
1 CHECK FRONT OXYGEN (A/F) SENSOR CONNECTOR AND COUPLING CONNECTOR.	Is there water in connector?	Remove infiltrating water completely.	Go to step 2.
2 CHECK HARNESS BETWEEN ECM AND FRONT OXYGEN (A/F) SENSOR CONNECTOR. 1) Turn the ignition switch to OFF. 2) Disconnect the connectors from ECM and front oxygen (A/F) sensor connector. 3) Measure the resistance of harness between ECM and front oxygen (A/F) sensor connector. Connector & terminal (B135) No. 8 — (E118) No. 3: (B135) No. 9 — (E118) No. 1:	Is the measured value less than 1 Ω?	Go to step 3.	Repair the harness and connector. NOTE: In this case, repair the following: • Open circuit in harness between ECM and front oxygen (A/F) sensor connector • Poor contact in front oxygen (A/F) sensor connector • Poor contact in ECM connector
3 CHECK POOR CONTACT. Check poor contact in front oxygen (A/F) sensor connector.	Is there poor contact in front oxygen (A/F) sensor connector?	Repair the poor contact in front oxygen (A/F) sensor connector.	Replace the front oxygen (A/F) sensor. <Ref. to FU(H4SO)-36, Front Oxygen (A/F) Sensor.>

CN:DTC P1153 O₂ SENSOR CIRCUIT RANGE/PERFORMANCE (HIGH) (BANK 1 SENSOR 1)

DTC DETECTING CONDITION:

- Two consecutive driving cycles with fault
- GENERAL DESCRIPTION <Ref. to GD(H4SO)-162, DTC P1153 O₂ SENSOR CIRCUIT RANGE/PERFORMANCE (HIGH) (BANK1 SENSOR1), Diagnostic Trouble Code (DTC) Detecting Criteria.>

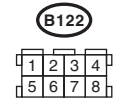
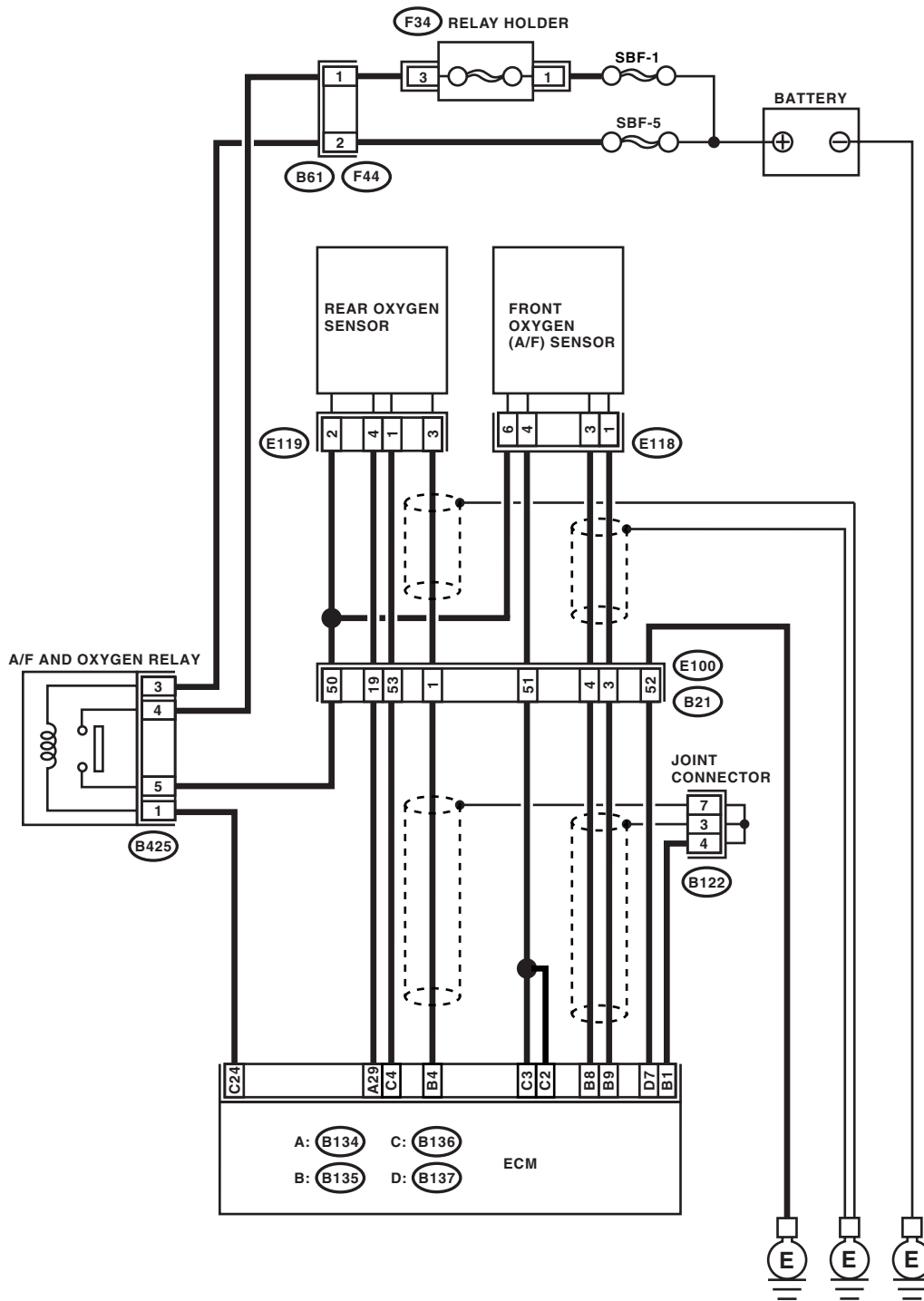
CAUTION:

After repair or replacement of faulty parts, conduct Clear Memory Mode <Ref. to EN(H4SO)(diag)-46, OPERATION, Clear Memory Mode.> and Inspection Mode <Ref. to EN(H4SO)(diag)-36, PROCEDURE, Inspection Mode.>.

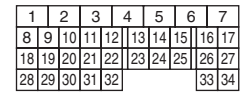
Diagnostic Procedure with Diagnostic Trouble Code (DTC)

ENGINE (DIAGNOSTICS)

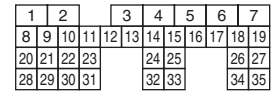
WIRING DIAGRAM:



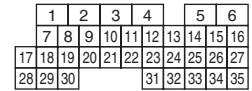
A: **B134**



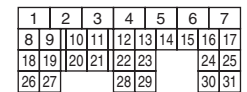
B: **B135**



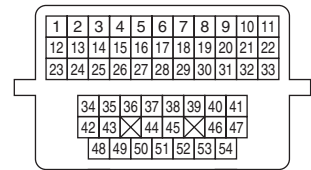
C: **B136**



D: **B137**



B21



EN-04626

Diagnostic Procedure with Diagnostic Trouble Code (DTC)

ENGINE (DIAGNOSTICS)

Step	Check	Yes	No
1	CHECK FRONT OXYGEN (A/F) SENSOR CONNECTOR AND COUPLING CONNECTOR.	Remove infiltrating water completely.	Go to step 2.
2	CHECK HARNESS BETWEEN ECM AND FRONT OXYGEN (A/F) SENSOR CONNECTOR. 1) Turn the ignition switch to OFF. 2) Disconnect the connector from ECM. 3) Measure the resistance of harness between ECM connector and chassis ground. Connector & terminal (B135) No. 8 — Chassis ground:	Go to step 3.	Repair the ground short circuit in harness between ECM and front oxygen (A/F) sensor connector.
3	CHECK HARNESS BETWEEN ECM AND FRONT OXYGEN (A/F) SENSOR CONNECTOR. Measure the resistance of harness between ECM connector and chassis ground. Connector & terminal (B135) No. 9 — Chassis ground:	Go to step 4.	Repair the ground short circuit in harness between ECM and front oxygen (A/F) sensor connector.
4	CHECK OUTPUT SIGNAL FOR ECM. 1) Connect the connector to ECM. 2) Turn the ignition switch to ON. 3) Measure the voltage between ECM connector and chassis ground. Connector & terminal (B135) No. 8 (+) — Chassis ground (-):	Go to step 5.	Go to step 6.
5	CHECK OUTPUT SIGNAL FOR ECM. Measure the voltage between ECM connector and chassis ground. Connector & terminal (B135) No. 8 (+) — Chassis ground (-):	Repair the battery short circuit in harness between ECM and front oxygen (A/F) sensor connector. After repair, replace the ECM. <Ref. to FU(H4SO)-38, Engine Control Module (ECM).>	Repair the poor contact in ECM connector.
6	CHECK OUTPUT SIGNAL FOR ECM. Measure the voltage between ECM connector and chassis ground. Connector & terminal (B135) No. 9 (+) — Chassis ground (-):	Go to step 7.	Replace the front oxygen (A/F) sensor. <Ref. to FU(H4SO)-36, Front Oxygen (A/F) Sensor.>
7	CHECK OUTPUT SIGNAL FOR ECM. Measure the voltage between ECM connector and chassis ground. Connector & terminal (B135) No. 9 (+) — Chassis ground (-):	Repair the battery short circuit in harness between ECM and front oxygen (A/F) sensor connector. After repair, replace the ECM. <Ref. to FU(H4SO)-38, Engine Control Module (ECM).>	Repair the poor contact in ECM connector.

Diagnostic Procedure with Diagnostic Trouble Code (DTC)

ENGINE (DIAGNOSTICS)

CO:DTC P1160 RETURN SPRING FAILURE

NOTE:

For the diagnostic procedure, refer to DTC P2101. <Ref. to EN(H4SO)(diag)-312, DTC P2101 THROTTLE ACTUATOR CONTROL MOTOR CIRCUIT RANGE/PERFORMANCE, Diagnostic Procedure with Diagnostic Trouble Code (DTC).>

CP:DTC P1400 FUEL TANK PRESSURE CONTROL SOLENOID VALVE CIRCUIT LOW

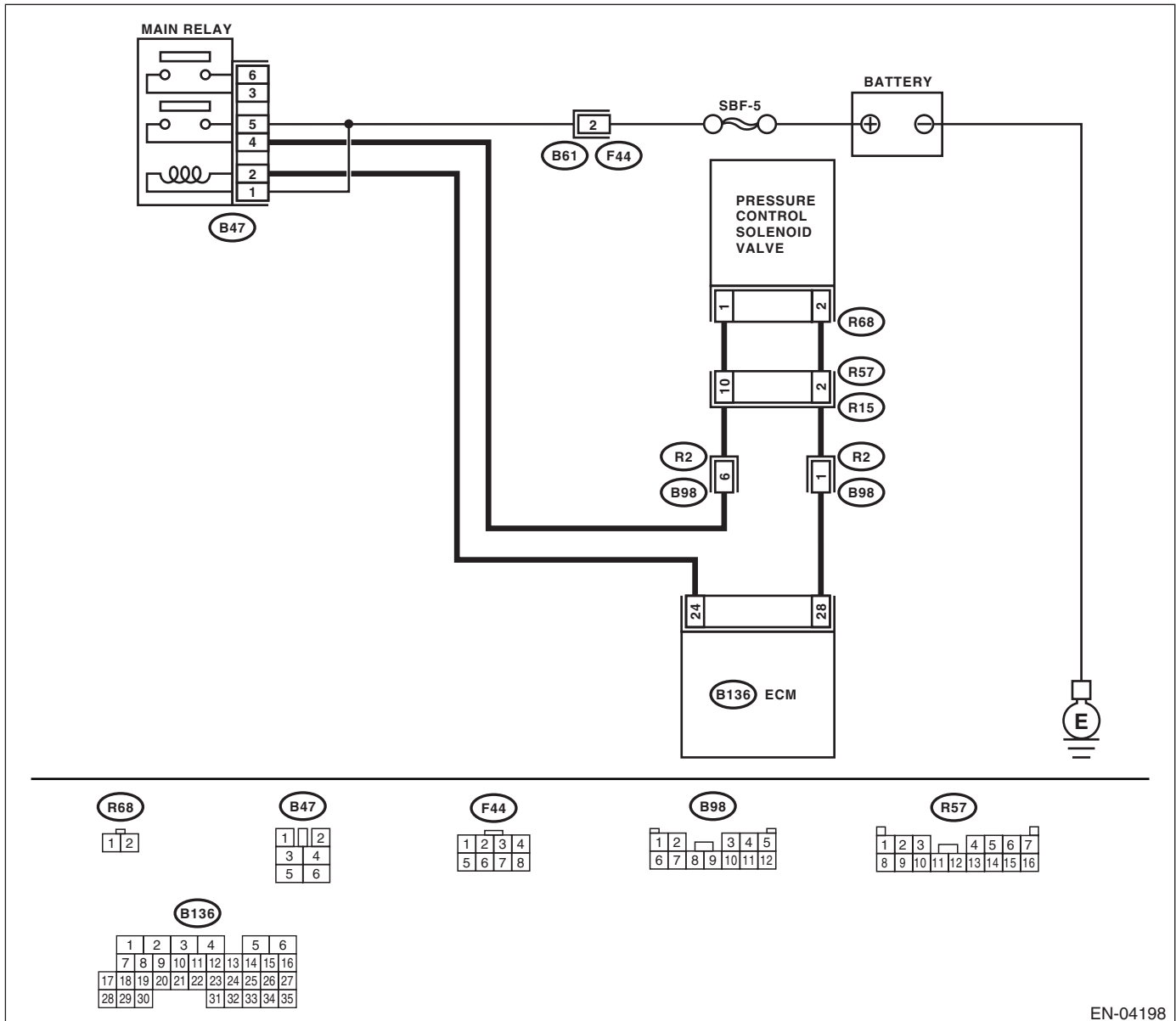
DTC DETECTING CONDITION:

- Two consecutive driving cycles with fault
- GENERAL DESCRIPTION <Ref. to GD(H4SO)-165, DTC P1400 FUEL TANK PRESSURE CONTROL SOLENOID VALVE CIRCUIT LOW, Diagnostic Trouble Code (DTC) Detecting Criteria.>

CAUTION:

After repair or replacement of faulty parts, conduct Clear Memory Mode <Ref. to EN(H4SO)(diag)-46, OPERATION, Clear Memory Mode.> and Inspection Mode <Ref. to EN(H4SO)(diag)-36, PROCEDURE, Inspection Mode.>.

WIRING DIAGRAM:



EN-04198

Diagnostic Procedure with Diagnostic Trouble Code (DTC)

ENGINE (DIAGNOSTICS)

Step	Check	Yes	No
1 CHECK OUTPUT SIGNAL FROM ECM. 1) Turn ignition switch to ON. 2) Measure the voltage between ECM and chassis ground. Connector & terminal (B136) No. 28 (+) — Chassis ground (-):	Is the voltage more than 10 V?	Go to step 2.	Go to step 3.
2 CHECK FOR POOR CONTACT. Check for poor contact in ECM connector.	Is there poor contact in ECM connector?	Repair poor contact in ECM connector.	Contact your SOA Service Center since deterioration of some parts may be the cause.
3 CHECK HARNESS BETWEEN PRESSURE CONTROL SOLENOID VALVE AND ECM CONNECTOR. 1) Turn ignition switch to OFF. 2) Disconnect the connectors from pressure control solenoid valve and ECM. 3) Measure the resistance of harness between pressure control solenoid valve connector and chassis ground. Connector & terminal (R68) No. 2 — Chassis ground:	Is the resistance less than 10 Ω ?	Repair short circuit to ground in harness between ECM and pressure control solenoid valve connector.	Go to step 4.
4 CHECK HARNESS BETWEEN PRESSURE CONTROL SOLENOID VALVE AND ECM CONNECTOR. Measure the resistance of harness between ECM and pressure control solenoid valve connector. Connector & terminal (B136) No. 28 — (R68) No. 2:	Is the resistance less than 1 Ω ?	Go to step 5.	Repair harness and connector. NOTE: In this case, repair the following: <ul style="list-style-type: none"> • Open circuit in harness between ECM and pressure control solenoid valve connector • Poor contact in coupling connector
5 CHECK PRESSURE CONTROL SOLENOID VALVE. Measure the resistance between pressure control solenoid valve terminals. Terminals No. 1 — No. 2:	Is the resistance 10 — 100 Ω ?	Go to step 6.	Replace the pressure control solenoid valve. <Ref. to EC(H4SO)-12, Pressure Control Solenoid Valve.>
6 CHECK POWER SUPPLY TO PRESSURE CONTROL SOLENOID VALVE. 1) Turn ignition switch to ON. 2) Measure the voltage between pressure control solenoid valve and chassis ground. Connector & terminal (R68) No. 1 (+) — Chassis ground (-):	Is the voltage more than 10 V?	Go to step 7.	Repair harness and connector. NOTE: In this case, repair the following: <ul style="list-style-type: none"> • Open circuit in harness between main relay and pressure control solenoid valve connector • Poor contact in coupling connector • Poor contact in main relay connector

Diagnostic Procedure with Diagnostic Trouble Code (DTC)

ENGINE (DIAGNOSTICS)

	Step	Check	Yes	No
7	CHECK FOR POOR CONTACT. Check for poor contact in pressure control solenoid valve connector.	Is there poor contact in pressure control solenoid valve connector?	Repair poor contact in pressure control solenoid valve connector.	Contact your SOA Service Center since deterioration of some parts may be the cause.

Diagnostic Procedure with Diagnostic Trouble Code (DTC)

ENGINE (DIAGNOSTICS)

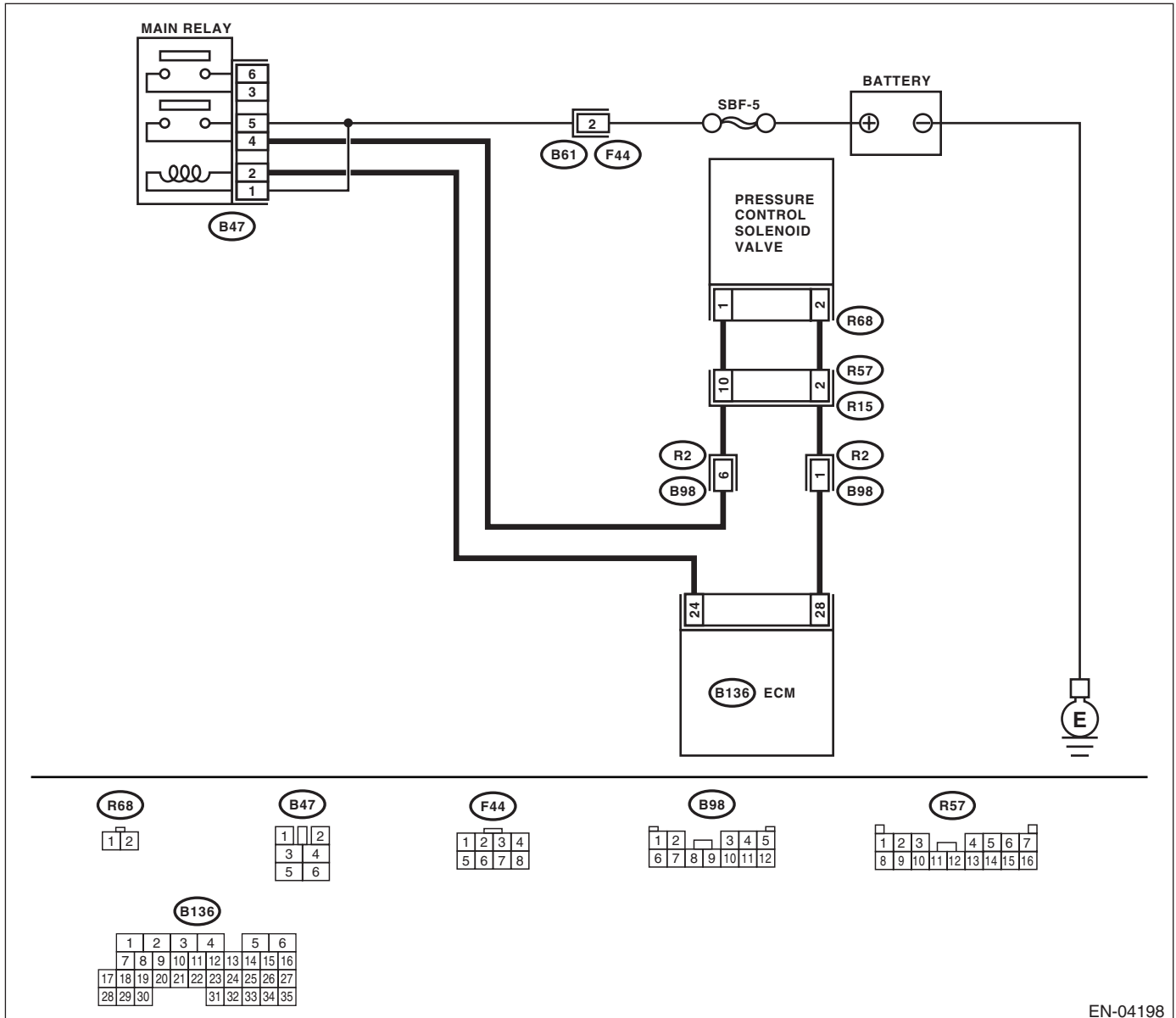
CQ:DTC P1420 FUEL TANK PRESSURE CONTROL SOL. VALVE CIRCUIT HIGH DTC DETECTING CONDITION:

- Two consecutive driving cycles with fault
- GENERAL DESCRIPTION <Ref. to GD(H4SO)-167, DTC P1420 FUEL TANK PRESSURE CONTROL SOL. VALVE CIRCUIT HIGH, Diagnostic Trouble Code (DTC) Detecting Criteria.>

CAUTION:

After repair or replacement of faulty parts, conduct Clear Memory Mode <Ref. to EN(H4SO)(diag)-46, OPERATION, Clear Memory Mode.> and Inspection Mode <Ref. to EN(H4SO)(diag)-36, PROCEDURE, Inspection Mode.>.

WIRING DIAGRAM:



EN-04198

Diagnostic Procedure with Diagnostic Trouble Code (DTC)

ENGINE (DIAGNOSTICS)

Step	Check	Yes	No
<p>1 CHECK INPUT SIGNAL FOR ECM. 1) Turn ignition switch to OFF. 2) Connect the test mode connector at the lower portion of instrument panel (on the driver's side). 3) Turn ignition switch to ON. 4) While operating the pressure control solenoid valve, measure voltage between ECM and chassis ground.</p> <p>NOTE: Pressure control solenoid valve operation can be executed using Subaru Select Monitor. For the procedure, refer to "Compulsory Valve Operation Check Mode". <Ref. to EN(H4SO)(diag)-47, Compulsory Valve Operation Check Mode.></p> <p>Connector & terminal (B136) No. 28 (+) — Chassis ground (-):</p>	Is the voltage 0 — 10 V?	Go to step 2.	The malfunction indicator light may light up, however, the circuit is returned to the normal status at the moment. In this case, repair poor contact in ECM connector.
<p>2 CHECK INPUT SIGNAL FOR ECM. 1) Turn ignition switch to ON. 2) Measure the voltage between ECM and chassis ground.</p> <p>Connector & terminal (B136) No. 28 (+) — Chassis ground (-):</p>	Is the voltage more than 10 V?	Go to step 4.	Go to step 3.
<p>3 CHECK FOR POOR CONTACT. Check for poor contact in ECM connector.</p>	Is there poor contact in ECM connector?	Repair poor contact in ECM connector.	Replace the ECM. <Ref. to FU(H4SO)-38, Engine Control Module (ECM).>
<p>4 CHECK HARNESS BETWEEN PRESSURE CONTROL SOLENOID VALVE AND ECM CONNECTOR. 1) Turn ignition switch to OFF. 2) Disconnect the connector from pressure control solenoid valve. 3) Turn ignition switch to ON. 4) Measure the voltage between ECM and chassis ground.</p> <p>Connector & terminal (B136) No. 28 (+) — Chassis ground (-):</p>	Is the voltage more than 10 V?	Repair short circuit to battery in harness between ECM and pressure control solenoid valve connector. After repair, replace the ECM. <Ref. to FU(H4SO)-38, Engine Control Module (ECM).>	Go to step 5.
<p>5 CHECK PRESSURE CONTROL SOLENOID VALVE. 1) Turn ignition switch to OFF. 2) Measure the resistance between pressure control solenoid valve terminals.</p> <p>Terminals No. 1 — No. 2:</p>	Is the resistance less than 1 Ω ?	Replace the pressure control solenoid valve <Ref. to EC(H4SO)-12, Pressure Control Solenoid Valve.> and the ECM <Ref. to FU(H4SO)-38, Engine Control Module (ECM).>.	Go to step 6.
<p>6 CHECK FOR POOR CONTACT. Check for poor contact in ECM connector.</p>	Is there poor contact in ECM connector?	Repair poor contact in ECM connector.	Replace the ECM. <Ref. to FU(H4SO)-38, Engine Control Module (ECM).>

Diagnostic Procedure with Diagnostic Trouble Code (DTC)

ENGINE (DIAGNOSTICS)

CR:DTC P1443 VENT CONTROL SOLENOID VALVE FUNCTION PROBLEM

DTC DETECTING CONDITION:

- Immediately at fault recognition
- GENERAL DESCRIPTION <Ref. to GD(H4SO)-168, DTC P1443 VENT CONTROL SOLENOID VALVE FUNCTION PROBLEM, Diagnostic Trouble Code (DTC) Detecting Criteria.>

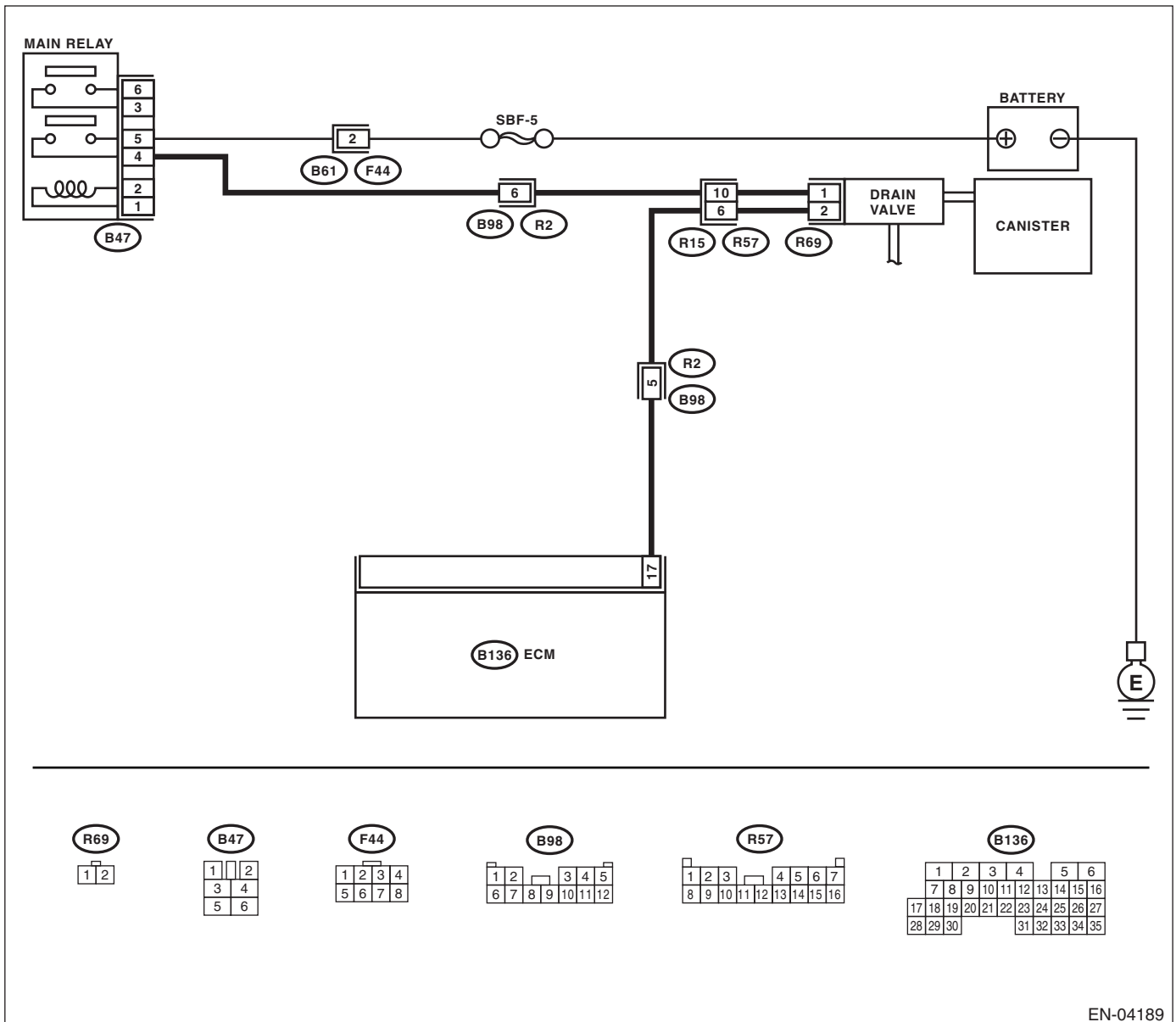
TROUBLE SYMPTOM:

Improper fuel supply

CAUTION:

After repair or replacement of faulty parts, conduct Clear Memory Mode <Ref. to EN(H4SO)(diag)-46, OPERATION, Clear Memory Mode.> and Inspection Mode <Ref. to EN(H4SO)(diag)-36, PROCEDURE, Inspection Mode.>.

WIRING DIAGRAM:



EN-04189

Diagnostic Procedure with Diagnostic Trouble Code (DTC)

ENGINE (DIAGNOSTICS)

Step	Check	Yes	No
1 CHECK ANY OTHER DTC ON DISPLAY.	Is any other DTC displayed?	Inspect the relevant DTC using "List of Diagnostic Trouble Code (DTC)". <Ref. to EN(H4SO)(diag)-73, List of Diagnostic Trouble Code (DTC).>	Go to step 2.
2 CHECK VENT LINE HOSES. Check the following items. <ul style="list-style-type: none">• Clogging of vent hoses between canister and drain valve• Clogging of vent hose between drain valve and air filter• Clogging of drain filter	Is there a fault in vent line?	Repair or replace faulty parts.	Go to step 3.
3 CHECK DRAIN VALVE OPERATION. 1) Turn ignition switch to OFF. 2) Connect the test mode connector at the lower portion of instrument panel (on the driver's side). 3) Turn ignition switch to ON. 4) Operate the drain valve. NOTE: Drain valve operation can be executed using Subaru Select Monitor. For the procedure, refer to "Compulsory Valve Operation Check Mode". <Ref. to EN(H4SO)(diag)-47, Compulsory Valve Operation Check Mode.>	Does the drain valve operate?	Contact your SOA Service Center since deterioration of some parts may be the cause.	Replace the drain valve. <Ref. to EC(H4SO)-16, Drain Valve.>

Diagnostic Procedure with Diagnostic Trouble Code (DTC)

ENGINE (DIAGNOSTICS)

CS:DTC P1491 POSITIVE CRANKCASE VENTILATION (BLOW-BY) FUNCTION PROBLEM

DTC DETECTING CONDITION:

- Two consecutive driving cycles with fault
- GENERAL DESCRIPTION <Ref. to GD(H4SO)-170, DTC P1491 POSITIVE CRANKCASE VENTILATION (BLOW-BY) FUNCTION PROBLEM, Diagnostic Trouble Code (DTC) Detecting Criteria.>

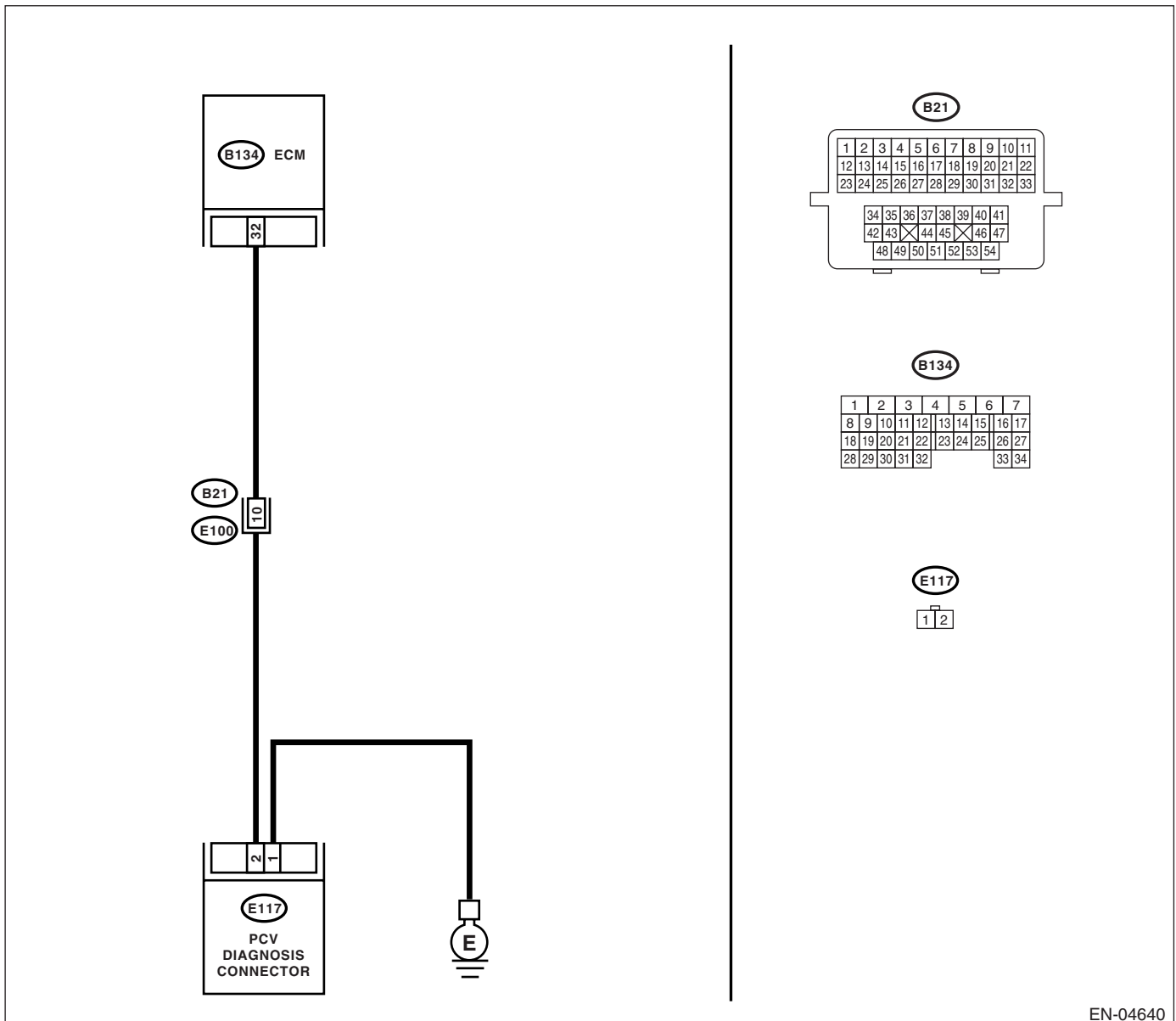
TROUBLE SYMPTOM:

Erroneous idling

CAUTION:

After repair or replacement of faulty parts, conduct Clear Memory Mode <Ref. to EN(H4SO)(diag)-46, OPERATION, Clear Memory Mode.> and Inspection Mode <Ref. to EN(H4SO)(diag)-36, PROCEDURE, Inspection Mode.>.

WIRING DIAGRAM:



EN-04640

Diagnostic Procedure with Diagnostic Trouble Code (DTC)

ENGINE (DIAGNOSTICS)

Step	Check	Yes	No
1 CHECK BLOW-BY HOSE. Check the blow-by hose.	Is there disconnection or crack in blow-by hose?	Replace or repair blow-by hose.	Go to step 2.
2 INSPECT HARNESS BETWEEN PCV DIAGNOSIS CONNECTOR AND ECM CONNECTOR. 1) Turn the ignition switch to OFF. 2) Disconnect the connector from PCV diagnosis connector and ECM. 3) Measure the resistance of harness between PCV diagnosis connector and ECM connector. <i>Connector & terminal</i> <i>(B134) No. 32 — (E117) No. 2:</i>	Is the resistance less than 1 Ω ?	Go to step 3.	Repair open circuit in harness between PCV diagnosis connector and ECM.
3 INSPECT HARNESS BETWEEN PCV DIAGNOSIS CONNECTOR AND ECM CONNECTOR. Measure the resistance of harness between PCV diagnosis connector and chassis ground. <i>Connector & terminal</i> <i>(B134) No. 32 — Chassis ground:</i>	Is the resistance more than 1 M Ω ?	Go to step 4.	Repair short circuit to chassis ground in harness between PCV diagnosis connector and ECM.
4 INSPECT PCV DIAGNOSIS CONNECTOR GROUND CIRCUIT. Measure the resistance between PCV diagnosis connector and engine ground. <i>Connector & terminal</i> <i>(E117) No. 1 — Engine ground:</i>	Is the resistance less than 5 Ω ?	Go to step 5.	Repair PCV diagnosis connector ground circuit.
5 INSPECT PCV DIAGNOSIS CONNECTOR. Measure the resistance between PCV diagnosis connector and terminal. <i>Terminals</i> <i>No. 1 — No. 2:</i>	Is the resistance less than 1 Ω ?	Repair poor contact in ECM and PCV diagnosis connector.	Replace PCV diagnosis connector.

Diagnostic Procedure with Diagnostic Trouble Code (DTC)

ENGINE (DIAGNOSTICS)

CT:DTC P1492 EGR SOLENOID VALVE SIGNAL #1 CIRCUIT MALFUNCTION (LOW INPUT)

NOTE:

Refer to DTC P1498 for diagnostic procedure. <Ref. to EN(H4SO)(diag)-291, DTC P1498 EGR SOLENOID VALVE SIGNAL #4 CIRCUIT MALFUNCTION (LOW INPUT), Diagnostic Procedure with Diagnostic Trouble Code (DTC).>

CU:DTC P1493 EGR SOLENOID VALVE SIGNAL #1 CIRCUIT MALFUNCTION (HIGH INPUT)

NOTE:

Refer to DTC P1499 for diagnostic procedure. <Ref. to EN(H4SO)(diag)-294, DTC P1499 EGR SOLENOID VALVE SIGNAL #4 CIRCUIT MALFUNCTION (HIGH INPUT), Diagnostic Procedure with Diagnostic Trouble Code (DTC).>

CV:DTC P1494 EGR SOLENOID VALVE SIGNAL #2 CIRCUIT MALFUNCTION (LOW INPUT)

NOTE:

Refer to DTC P1498 for diagnostic procedure. <Ref. to EN(H4SO)(diag)-291, DTC P1498 EGR SOLENOID VALVE SIGNAL #4 CIRCUIT MALFUNCTION (LOW INPUT), Diagnostic Procedure with Diagnostic Trouble Code (DTC).>

CW:DTC P1495 EGR SOLENOID VALVE SIGNAL #2 CIRCUIT MALFUNCTION (HIGH INPUT)

NOTE:

Refer to DTC P1499 for diagnostic procedure. <Ref. to EN(H4SO)(diag)-294, DTC P1499 EGR SOLENOID VALVE SIGNAL #4 CIRCUIT MALFUNCTION (HIGH INPUT), Diagnostic Procedure with Diagnostic Trouble Code (DTC).>

CX:DTC P1496 EGR SOLENOID VALVE SIGNAL #3 CIRCUIT MALFUNCTION (LOW INPUT)

NOTE:

Refer to DTC P1498 for diagnostic procedure. <Ref. to EN(H4SO)(diag)-291, DTC P1498 EGR SOLENOID VALVE SIGNAL #4 CIRCUIT MALFUNCTION (LOW INPUT), Diagnostic Procedure with Diagnostic Trouble Code (DTC).>

CY:DTC P1497 EGR SOLENOID VALVE SIGNAL #3 CIRCUIT MALFUNCTION (HIGH INPUT)

NOTE:

Refer to DTC P1499 for diagnostic procedure. <Ref. to EN(H4SO)(diag)-294, DTC P1499 EGR SOLENOID VALVE SIGNAL #4 CIRCUIT MALFUNCTION (HIGH INPUT), Diagnostic Procedure with Diagnostic Trouble Code (DTC).>

CZ:DTC P1498 EGR SOLENOID VALVE SIGNAL #4 CIRCUIT MALFUNCTION (LOW INPUT)

DTC DETECTING CONDITION:

- Immediately at fault recognition.
- GENERAL DESCRIPTION <Ref. to GD(H4SO)-172, DTC P1492 EGR SOLENOID VALVE SIGNAL #1 CIRCUIT MALFUNCTION (LOW INPUT), Diagnostic Trouble Code (DTC) Detecting Criteria.>, <Ref. to GD(H4SO)-175, DTC P1494 EGR SOLENOID VALVE SIGNAL #2 CIRCUIT MALFUNCTION (LOW INPUT), Diagnostic Trouble Code (DTC) Detecting Criteria.>, <Ref. to GD(H4SO)-175, DTC P1496 EGR SOLENOID VALVE SIGNAL #3 CIRCUIT MALFUNCTION (LOW INPUT), Diagnostic Trouble Code (DTC) Detecting Criteria.> and <Ref. to GD(H4SO)-176, DTC P1498 EGR SOLENOID VALVE SIGNAL #4 CIRCUIT MALFUNCTION (LOW INPUT), Diagnostic Trouble Code (DTC) Detecting Criteria.>

TROUBLE SYMPTOM:

- Erroneous idling
- Poor driving performance
- Engine breathing

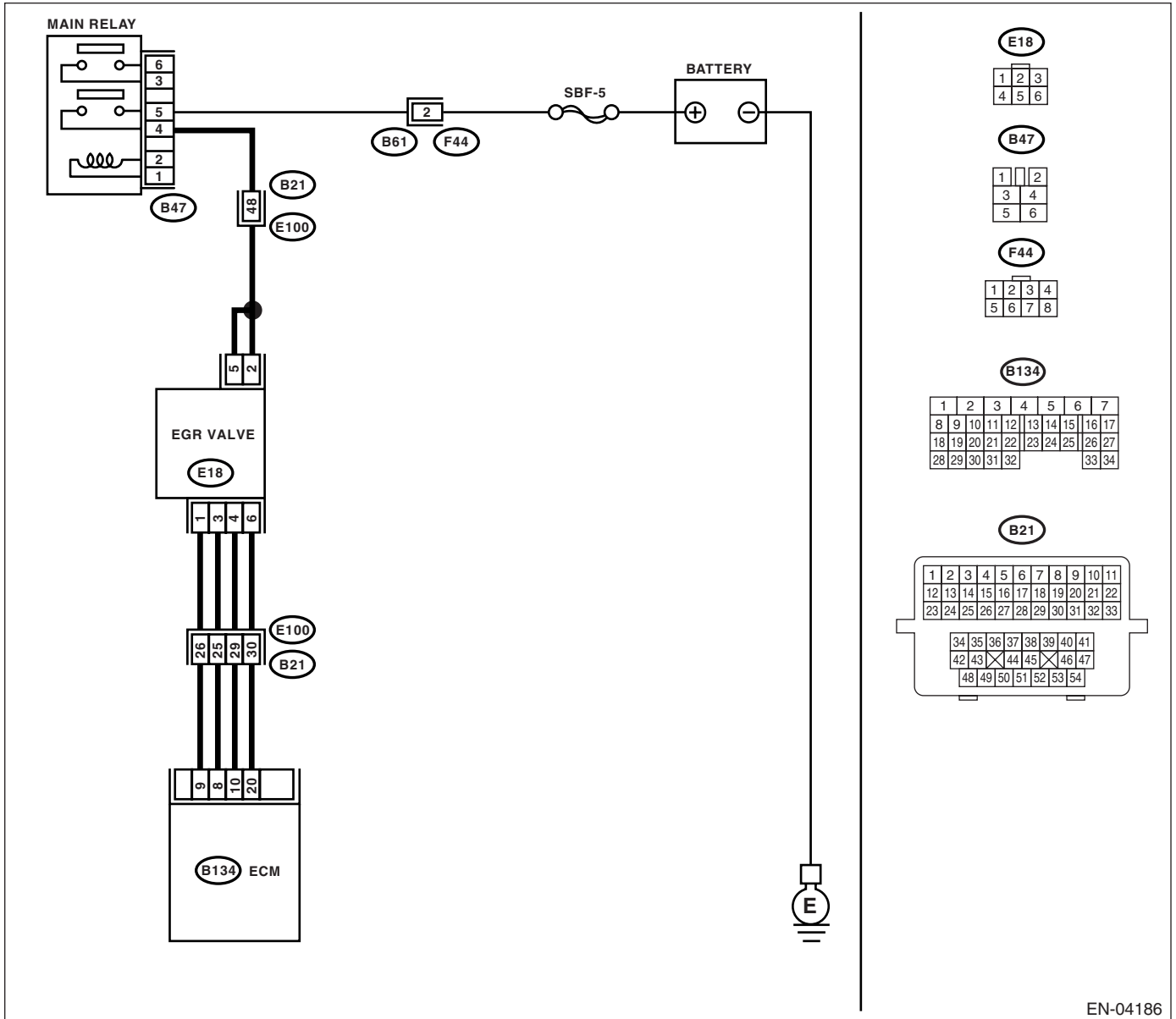
CAUTION:

After repair or replacement of faulty parts, conduct Clear Memory Mode <Ref. to EN(H4SO)(diag)-46, OPERATION, Clear Memory Mode.> and Inspection Mode <Ref. to EN(H4SO)(diag)-36, PROCEDURE, Inspection Mode.>.

Diagnostic Procedure with Diagnostic Trouble Code (DTC)

ENGINE (DIAGNOSTICS)

WIRING DIAGRAM:



EN-04186

Diagnostic Procedure with Diagnostic Trouble Code (DTC)

ENGINE (DIAGNOSTICS)

Step	Check	Yes	No
<p>1 CHECK POWER SUPPLY TO EGR SOLENOID VALVE.</p> <p>1) Turn ignition switch to OFF. 2) Disconnect connector from EGR solenoid valve. 3) Turn ignition switch to ON. 4) Measure the power supply voltage between EGR solenoid valve and engine ground.</p> <p>Connector & terminal (E18) No. 2 (+) — Engine ground (-): (E18) No. 5 (+) — Engine ground (-):</p>	Is the measured value more than 10 V?	Go to step 2.	Repair harness and connector. NOTE: In this case, repair the following: • Open circuit in harness between EGR solenoid valve connector and main relay connector • Poor contact in coupling connector
<p>2 CHECK HARNESS BETWEEN ECM AND EGR SOLENOID VALVE.</p> <p>1) Turn ignition switch to OFF. 2) Measure resistance between ECM and EGR solenoid valve connector.</p> <p>Connector & terminal DTC P1492; (B134) No. 10 — (E18) No. 4: DTC P1494; (B134) No. 9 — (E18) No. 1: DTC P1496; (B134) No. 8 — (E18) No. 3: DTC P1498; (B134) No. 20 — (E18) No. 6:</p>	Is the measured value less than 1 Ω?	Go to step 3.	Repair harness and connector. NOTE: In this case, repair the following: • Open circuit in harness between EGR solenoid valve connector and main relay connector • Poor contact in coupling connector
<p>3 CHECK HARNESS BETWEEN ECM AND EGR SOLENOID VALVE.</p> <p>1) Disconnect connector from ECM. 2) Measure resistance between ECM connector and chassis ground.</p> <p>Connector & terminal DTC P1492; (B134) No. 10 — Chassis ground: DTC P1494; (B134) No. 9 — Chassis ground: DTC P1496; (B134) No. 8 — Chassis ground: DTC P1498; (B134) No. 20 — Chassis ground:</p>	Is the measured value more than 1 MΩ?	Go to step 4.	Repair open or ground short circuit in harness between ECM and EGR solenoid valve connector.
<p>4 CHECK POOR CONTACT.</p> <p>Check poor contact in ECM and EGR solenoid valve connector.</p>	Is there poor contact in ECM or EGR solenoid valve connector?	Repair poor contact in ECM or EGR solenoid valve connector.	Replace EGR solenoid valve. <Ref. to FU(H4SO)-29, EGR Valve.>

Diagnostic Procedure with Diagnostic Trouble Code (DTC)

ENGINE (DIAGNOSTICS)

DA:DTC P1499 EGR SOLENOID VALVE SIGNAL #4 CIRCUIT MALFUNCTION (HIGH INPUT)

DTC DETECTING CONDITION:

- Immediately at fault recognition.
- GENERAL DESCRIPTION <Ref. to GD(H4SO)-174, DTC P1493 EGR SOLENOID VALVE SIGNAL #1 CIRCUIT MALFUNCTION (HIGH INPUT), Diagnostic Trouble Code (DTC) Detecting Criteria.>, <Ref. to GD(H4SO)-175, DTC P1495 EGR SOLENOID VALVE SIGNAL #2 CIRCUIT MALFUNCTION (HIGH INPUT), Diagnostic Trouble Code (DTC) Detecting Criteria.>, <Ref. to GD(H4SO)-175, DTC P1497 EGR SOLENOID VALVE SIGNAL #3 CIRCUIT MALFUNCTION (HIGH INPUT), Diagnostic Trouble Code (DTC) Detecting Criteria.> and <Ref. to GD(H4SO)-176, DTC P1499 EGR SOLENOID VALVE SIGNAL #4 CIRCUIT MALFUNCTION (HIGH INPUT), Diagnostic Trouble Code (DTC) Detecting Criteria.>

TROUBLE SYMPTOM:

- Erroneous idling
- Poor driving performance
- Engine breathing

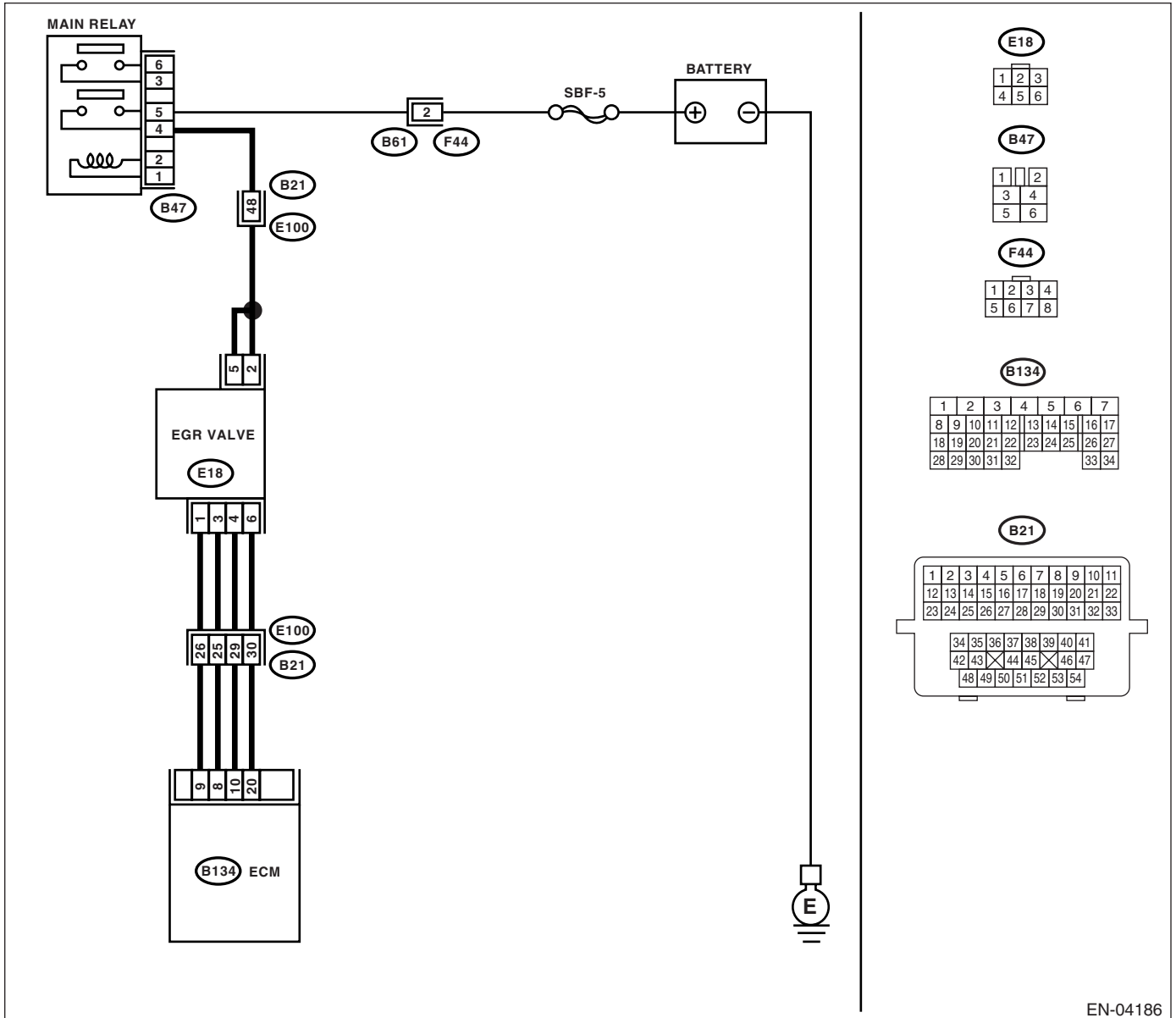
CAUTION:

After repair or replacement of faulty parts, conduct Clear Memory Mode <Ref. to EN(H4SO)(diag)-46, OPERATION, Clear Memory Mode.> and Inspection Mode <Ref. to EN(H4SO)(diag)-36, PROCEDURE, Inspection Mode.>.

Diagnostic Procedure with Diagnostic Trouble Code (DTC)

ENGINE (DIAGNOSTICS)

WIRING DIAGRAM:



EN-04186

Diagnostic Procedure with Diagnostic Trouble Code (DTC)

ENGINE (DIAGNOSTICS)

Step	Check	Yes	No
1 CHECK ANY OTHER DTC ON DISPLAY.	Is any other DTC displayed?	Inspect DTC using "List of Diagnostic Trouble Code (DTC)". <Ref. to EN(H4SO)(diag)-73, List of Diagnostic Trouble Code (DTC).>	Go to step 2.
2 CHECK HARNESS BETWEEN ECM AND EGR SOLENOID VALVE. 1) Turn ignition switch to OFF. 2) Disconnect connector from EGR solenoid valve. 3) Turn ignition switch to OFF. 4) Measure voltage between EGR solenoid valve and engine ground. Connector & terminal <i>DTC P1493; (B134) No. 10 (+) — Chassis ground (-):</i> <i>DTC P1495; (B134) No. 9 (+) — Chassis ground (-):</i> <i>DTC P1497; (B134) No. 8 (+) — Chassis ground (-):</i> <i>DTC P1499; (B134) No. 20 (+) — Chassis ground (-):</i>	Is the measured value more than 10 V?	Repair ground short circuit between ECM and EGR solenoid valve connector. After repair, replace ECM. <Ref. to FU(H4SO)-38, Engine Control Module (ECM).>	Replace ECM. <Ref. to FU(H4SO)-38, Engine Control Module (ECM).>

DB:DTC P1518 STARTER SWITCH CIRCUIT LOW INPUT

DTC DETECTING CONDITION:

- Two consecutive driving cycles with fault
- GENERAL DESCRIPTION <Ref. to GD(H4SO)-176, DTC P1518 STARTER SWITCH CIRCUIT LOW INPUT, Diagnostic Trouble Code (DTC) Detecting Criteria.>

TROUBLE SYMPTOM:

Failure of engine to start

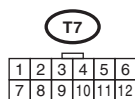
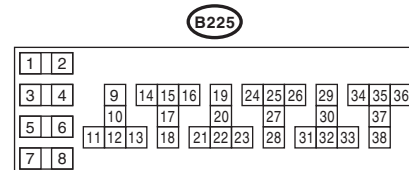
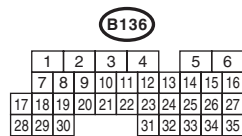
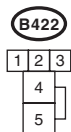
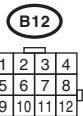
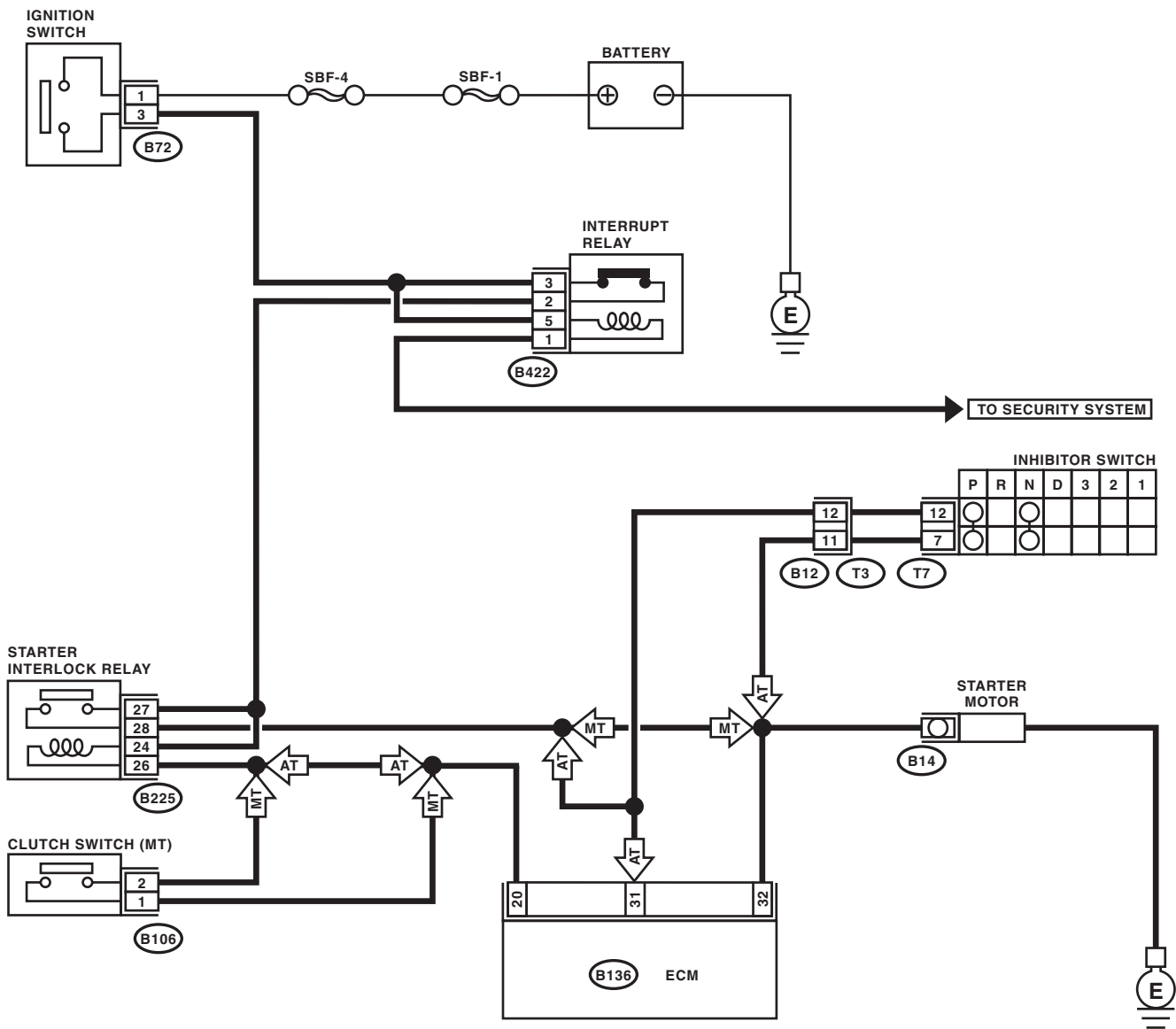
CAUTION:

After repair or replacement of faulty parts, conduct Clear Memory Mode <Ref. to EN(H4SO)(diag)-46, OPERATION, Clear Memory Mode.> and Inspection Mode <Ref. to EN(H4SO)(diag)-36, PROCEDURE, Inspection Mode.>.

Diagnostic Procedure with Diagnostic Trouble Code (DTC)

ENGINE (DIAGNOSTICS)

WIRING DIAGRAM:



EN-04637

Diagnostic Procedure with Diagnostic Trouble Code (DTC)

ENGINE (DIAGNOSTICS)

Step	Check	Yes	No
1 CHECK OPERATION OF STARTER MOTOR. Place the inhibitor switch in the "P" or "N" range. (AT model) Depress the clutch pedal. (MT model)	Does the starter motor operate when ignition switch is turned to START?	Repair harness and connector. NOTE: In this case, repair the following: <ul style="list-style-type: none">• Open or ground short circuit in harness between ECM and starter motor connector• Poor contact in ECM connector	Check starter motor circuit. <Ref. to EN(H4SO)(diag)-59, STARTER MOTOR CIRCUIT, Diagnostics for Engine Starting Failure.>

Diagnostic Procedure with Diagnostic Trouble Code (DTC)

ENGINE (DIAGNOSTICS)

DC:DTC P1560 BACK-UP VOLTAGE CIRCUIT MALFUNCTION

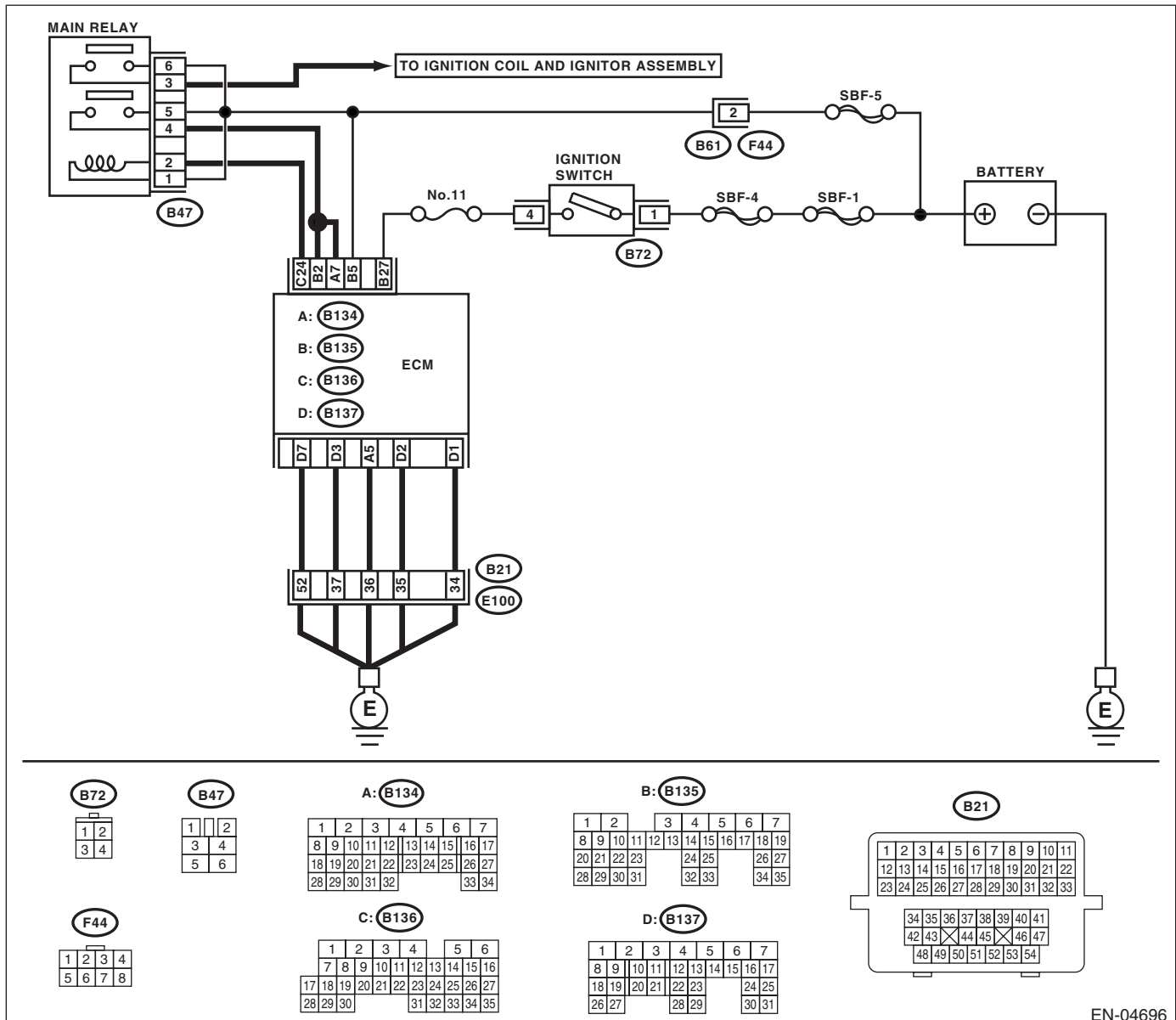
DTC DETECTING CONDITION:

- Immediately at fault recognition
- GENERAL DESCRIPTION <Ref. to GD(H4SO)-177, DTC P1560 BACK-UP VOLTAGE CIRCUIT MALFUNCTION, Diagnostic Trouble Code (DTC) Detecting Criteria.>

CAUTION:

After repair or replacement of faulty parts, conduct Clear Memory Mode <Ref. to EN(H4SO)(diag)-46, OPERATION, Clear Memory Mode.> and Inspection Mode <Ref. to EN(H4SO)(diag)-36, PROCEDURE, Inspection Mode.>.

WIRING DIAGRAM:



EN-04696

Diagnostic Procedure with Diagnostic Trouble Code (DTC)

ENGINE (DIAGNOSTICS)

Step	Check	Yes	No
1 CHECK INPUT SIGNAL FOR ECM. 1) Turn the ignition switch to OFF. 2) Measure the voltage between ECM and chassis ground. <i>Connector & terminal</i> <i>(B135) No. 5 (+) — Chassis ground (-):</i>	Is the voltage more than 10 V?	Repair poor contact in ECM connector.	Go to step 2.
2 CHECK HARNESS BETWEEN ECM AND MAIN FUSE BOX CONNECTOR. 1) Disconnect the connector from ECM. 2) Measure the resistance of harness between ECM and chassis ground. <i>Connector & terminal</i> <i>(B135) No. 5 — Chassis ground:</i>	Is the resistance less than 10 Ω ?	Repair ground short circuit in harness between ECM connector and battery terminal.	Go to step 3.
3 CHECK FUSE SBF-5.	Is the fuse blown out?	Replace the fuse.	Repair harness and connector. NOTE: In this case, repair the following: <ul style="list-style-type: none"> • Open circuit in harness between ECM and battery • Poor contact in ECM connector • Poor contact in battery terminal

DD:DTC P2096 POST CATALYST FUEL TRIM SYSTEM TOO LEAN BANK 1

DTC DETECTING CONDITION:

- Two consecutive driving cycles with fault
- GENERAL DESCRIPTION <Ref. to GD(H4SO)-179, DTC P2096 POST CATALYST FUEL TRIM SYSTEM TOO LEAN BANK 1, Diagnostic Trouble Code (DTC) Detecting Criteria.>

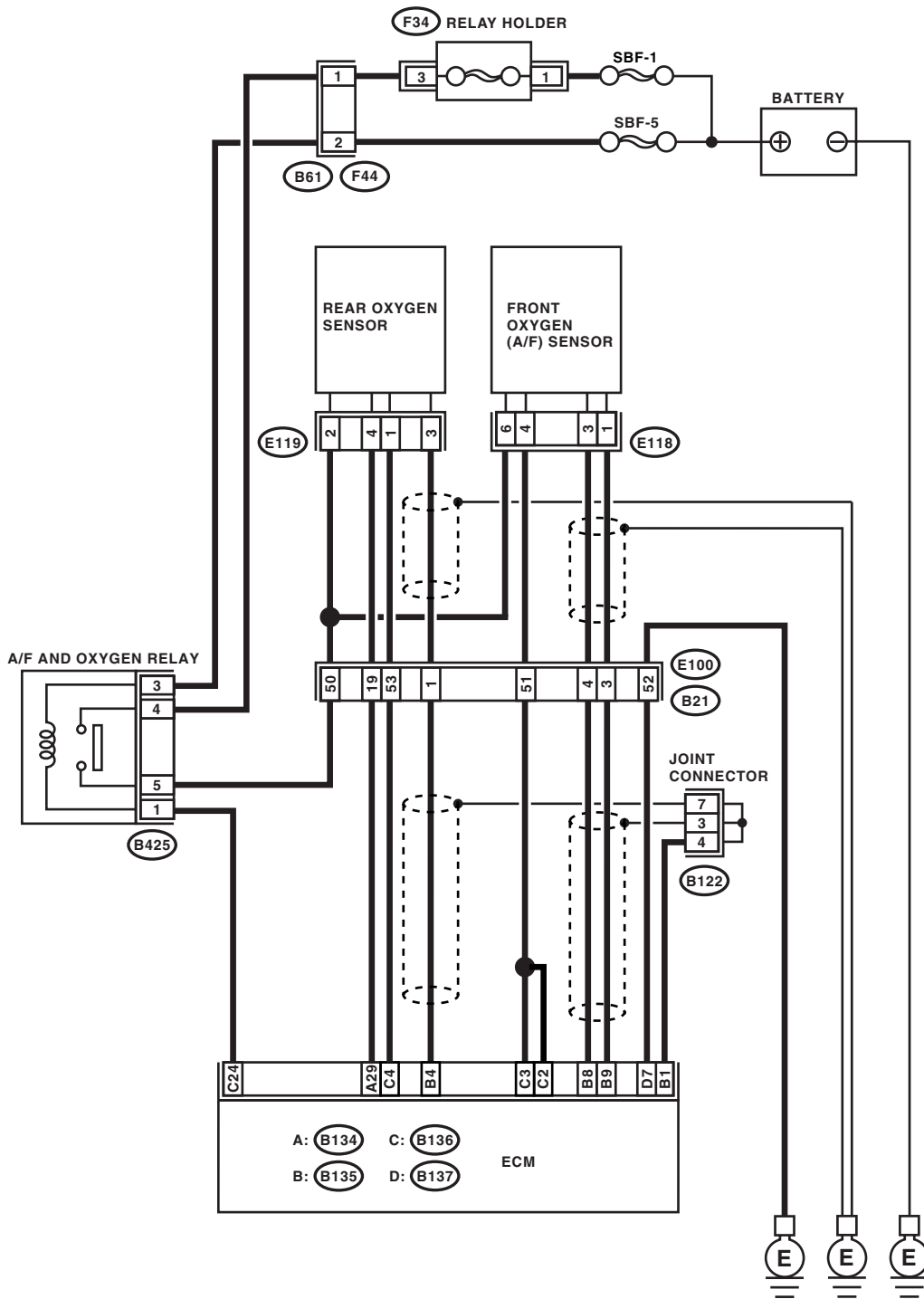
CAUTION:

After repair or replacement of faulty parts, conduct Clear Memory Mode <Ref. to EN(H4SO)(diag)-46, OPERATION, Clear Memory Mode.> and Inspection Mode <Ref. to EN(H4SO)(diag)-36, PROCEDURE, Inspection Mode.>.

Diagnostic Procedure with Diagnostic Trouble Code (DTC)

ENGINE (DIAGNOSTICS)

WIRING DIAGRAM:



E119

1	2
3	4

F34

2	1
4	3

E118

3	2	1
6	5	4

B425

1	2	3
4		
5		

F44

1	2	3	4
5	6	7	8

B122

1	2	3	4
5	6	7	8

A: **B134**

1	2	3	4	5	6	7			
8	9	10	11	12	13	14	15	16	17
18	19	20	21	22	23	24	25	26	27
28	29	30	31	32				33	34

B: **B135**

1	2		3	4	5	6	7				
8	9	10	11	12	13	14	15	16	17	18	19
20	21	22	23		24	25		26	27		
28	29	30	31		32	33		34	35		

C: **B136**

1	2	3	4		5	6				
7	8	9	10	11	12	13	14	15	16	
17	18	19	20	21	22	23	24	25	26	27
28	29	30			31	32	33	34	35	

D: **B137**

1	2	3	4	5	6	7			
8	9	10	11	12	13	14	15	16	17
18	19	20	21	22	23		24	25	
26	27			28	29		30	31	

B21

1	2	3	4	5	6	7	8	9	10	11
12	13	14	15	16	17	18	19	20	21	22
23	24	25	26	27	28	29	30	31	32	33
34	35	36	37	38	39	40	41			
42	43	44	45	46	47					
48	49	50	51	52	53	54				

EN-04626

Diagnostic Procedure with Diagnostic Trouble Code (DTC)

ENGINE (DIAGNOSTICS)

Step	Check	Yes	No	
1	CHECK FOR ANY OTHER DTC ON DISPLAY.	Is any other DTC displayed?	Check DTC using "List of Diagnostic Trouble Code (DTC)". <Ref. to EN(H4SO)(diag)-73, List of Diagnostic Trouble Code (DTC).> NOTE: In this case, it is not necessary to inspect DTC P2096.	Go to step 2.
2	CHECK FRONT OXYGEN (A/F) SENSOR CONNECTOR AND COUPLING CONNECTOR.	Is there water in connector?	Remove infiltrating water completely.	Go to step 3.
3	CHECK HARNESS BETWEEN ECM AND FRONT OXYGEN (A/F) SENSOR CONNECTOR. 1) Turn the ignition switch to OFF. 2) Disconnect the connectors from ECM and front oxygen (A/F) sensor connector. 3) Measure the resistance of harness between ECM and front oxygen (A/F) sensor connector. Connector & terminal (B135) No. 8 — (E118) No. 3: (B135) No. 9 — (E118) No. 1:	Is the measured value less than 1 Ω?	Go to step 4.	Repair the harness and connector. NOTE: In this case, repair the following: • Open circuit in harness between ECM and front oxygen (A/F) sensor connector • Poor contact in front oxygen (A/F) sensor connector • Poor contact in ECM connector
4	CHECK HARNESS BETWEEN ECM AND FRONT OXYGEN (A/F) SENSOR CONNECTOR. Measure the resistance of harness between ECM connector and chassis ground. Connector & terminal (B135) No. 8 — Chassis ground: (B135) No. 9 — Chassis ground:	Is the measured value more than 1 MΩ?	Go to step 5.	Repair the ground short circuit in harness between ECM and front oxygen (A/F) sensor connector.
5	CHECK OUTPUT SIGNAL FOR ECM. 1) Connect the connector to ECM. 2) Turn the ignition switch to ON. 3) Measure the voltage between ECM connector and chassis ground. Connector & terminal (B135) No. 8 (+) — Chassis ground (-):	Is the measured value more than 4.5 V?	Go to step 6.	Go to step 7.
6	CHECK OUTPUT SIGNAL FOR ECM. Measure the voltage between ECM connector and chassis ground. Connector & terminal (B135) No. 8 (+) — Chassis ground (-):	Is the measured value more than 10 V?	Repair the battery short circuit in harness between ECM and front oxygen (A/F) sensor connector. After repair, replace the ECM. <Ref. to FU(H4SO)-38, Engine Control Module (ECM).>	Repair the poor contact in ECM connector.

Diagnostic Procedure with Diagnostic Trouble Code (DTC)

ENGINE (DIAGNOSTICS)

Step	Check	Yes	No
7 CHECK OUTPUT SIGNAL FOR ECM. Measure the voltage between ECM connector and chassis ground. <i>Connector & terminal</i> <i>(B135) No. 9 (+) — Chassis ground (-):</i>	Is the measured value more than 4.95 V?	Go to step 8 .	Go to step 9 .
8 CHECK OUTPUT SIGNAL FOR ECM. Measure the voltage between ECM connector and chassis ground. <i>Connector & terminal</i> <i>(B135) No. 9 (+) — Chassis ground (-):</i>	Is the measured value more than 10 V?	Repair the battery short circuit in harness between ECM and front oxygen (A/F) sensor connector. After repair, replace the ECM. <Ref. to FU(H4SO)-38, Engine Control Module (ECM).>	Repair the poor contact in ECM connector.
9 CHECK EXHAUST SYSTEM.	Are there holes or loose bolts on exhaust system?	Repair the exhaust system.	Go to step 10 .
10 CHECK AIR INTAKE SYSTEM.	Are there holes, loose bolts or disconnection of hose on air intake system?	Repair the air intake system.	Go to step 11 .
11 CHECK FUEL PRESSURE. Warning: <ul style="list-style-type: none"> • Place “NO FIRE” signs near the working area. • Be careful not to spill fuel on the floor. Measure the fuel pressure. <Ref. to ME(H4SO)-29, INSPECTION, Fuel Pressure.> Warning: Before removing the fuel pressure gauge, release fuel pressure.	Is the measured value 339.5 — 360.5 kPa (3.5 — 3.7 kgf/cm ² , 49 — 52 psi)?	Go to step 12 .	Repair the following items. Fuel pressure too high: <ul style="list-style-type: none"> • Clogged fuel line or bent hose Fuel pressure too low: <ul style="list-style-type: none"> • Improper fuel pump discharge • Clogged fuel line
12 CHECK ENGINE COOLANT TEMPERATURE SENSOR. 1) Start the engine and warm-up completely. 2) Read the data of engine coolant temperature sensor signal using Subaru Select Monitor or general scan tool. NOTE: <ul style="list-style-type: none"> • Subaru Select Monitor For detailed operation procedure, refer to the “READ CURRENT DATA FOR ENGINE”. <Ref. to EN(H4SO)(diag)-28, Subaru Select Monitor.> • General scan tool For detailed operation procedure, refer to the general scan tool instruction manual. 	Is the temperature more than 60°C (140°F)?	Go to step 13 .	Replace the engine coolant temperature sensor. <Ref. to FU(H4SO)-22, Engine Coolant Temperature Sensor.>

Diagnostic Procedure with Diagnostic Trouble Code (DTC)

ENGINE (DIAGNOSTICS)

Step	Check	Yes	No
<p>13 CHECK MASS AIR FLOW AND INTAKE AIR TEMPERATURE SENSOR.</p> <p>1) Start the engine and warm-up engine until coolant temperature is greater than 60°C (140°F).</p> <p>2) Place the shift lever in neutral position.</p> <p>3) Turn the A/C switch to OFF.</p> <p>4) Turn all accessory switches to OFF.</p> <p>5) Read the data of mass air flow and intake air temperature sensor signal using Subaru Select Monitor or general scan tool.</p> <p>NOTE:</p> <ul style="list-style-type: none"> • Subaru Select Monitor <p>For detailed operation procedure, refer to the "READ CURRENT DATA FOR ENGINE". <Ref. to EN(H4SO)(diag)-28, Subaru Select Monitor.></p> <ul style="list-style-type: none"> • General scan tool <p>For detailed operation procedure, refer to the general scan tool instruction manual.</p>	<p>Is the measured value 2.1 — 3.4 g/s (0.28 — 0.45 lb/m)?</p>	<p>Go to step 14.</p>	<p>Replace the mass air flow and intake air temperature sensor. <Ref. to FU(H4SO)-28, Mass Air Flow and Intake Air Temperature Sensor.></p>
<p>14 CHECK MASS AIR FLOW AND INTAKE AIR TEMPERATURE SENSOR.</p> <p>1) Start the engine and warm-up engine until coolant temperature is greater than 60°C (140°F).</p> <p>2) Place the shift lever in neutral position.</p> <p>3) Turn the A/C switch to OFF.</p> <p>4) Turn all accessory switches to OFF.</p> <p>5) Open the front hood.</p> <p>6) Measure the ambient temperature.</p> <p>7) Read the data of mass air flow and intake air temperature sensor signal using Subaru Select Monitor or general scan tool.</p> <p>NOTE:</p> <ul style="list-style-type: none"> • Subaru Select Monitor <p>For detailed operation procedure, refer to the "READ CURRENT DATA FOR ENGINE". <Ref. to EN(H4SO)(diag)-28, Subaru Select Monitor.></p> <ul style="list-style-type: none"> • General scan tool <p>For detailed operation procedure, refer to the general scan tool instruction manual.</p>	<p>Subtract ambient temperature from intake air temperature. Is the obtained value -10 — 50°C (-18 — 90°F)?</p>	<p>Go to step 15.</p>	<p>Check the mass air flow and intake air temperature sensor. <Ref. to FU(H4SO)-28, Mass Air Flow and Intake Air Temperature Sensor.></p>
<p>15 CHECK REAR OXYGEN SENSOR DATA.</p> <p>1) Warm-up the engine until engine coolant temperature is above 70°C (158°F), and keep the engine speed at 3,000 rpm. (2 minutes at the longest)</p> <p>2) Read the data of rear oxygen sensor signal using Subaru Select Monitor or general scan tool.</p> <p>NOTE:</p> <ul style="list-style-type: none"> • For MT model, depress the clutch pedal. • Subaru Select Monitor <p>For detailed operation procedure, refer to the "READ CURRENT DATA SHOWN ON DISPLAY FOR ENGINE". <Ref. to EN(H4SO)(diag)-28, Subaru Select Monitor.></p> <ul style="list-style-type: none"> • General scan tool <p>For detailed operation procedure, refer to the general scan tool instruction manual.</p>	<p>Is the measured value more than 490 mV?</p>	<p>Go to step 16.</p>	<p>Go to step 17.</p>

Diagnostic Procedure with Diagnostic Trouble Code (DTC)

ENGINE (DIAGNOSTICS)

Step	Check	Yes	No
<p>16 CHECK REAR OXYGEN SENSOR DATA. 1) Warm-up the engine until engine coolant temperature is above 70°C (158°F), and immediately decrease the engine speed from 3,000 rpm. 2) Read the data of rear oxygen sensor signal using Subaru Select Monitor or general scan tool.</p> <p>NOTE:</p> <ul style="list-style-type: none"> • For MT model, depress the clutch pedal. • Subaru Select Monitor <p>For detailed operation procedure, refer to the "READ CURRENT DATA SHOWN ON DISPLAY FOR ENGINE". <Ref. to EN(H4SO)(diag)-28, Subaru Select Monitor.></p> <ul style="list-style-type: none"> • General scan tool <p>For detailed operation procedure, refer to the general scan tool instruction manual.</p>	<p>Is the measured value less than 250 mV?</p>	<p>Go to step 18.</p>	<p>Go to step 17.</p>
<p>17 CHECK REAR OXYGEN SENSOR CONNECTOR AND COUPLING CONNECTOR.</p>	<p>Is there water in connector?</p>	<p>Remove infiltrating water completely.</p>	<p>Go to step 19.</p>
<p>18 CHECK FRONT OXYGEN (A/F) SENSOR AND REAR OXYGEN SENSOR DATA. 1) Warm-up the engine until the engine coolant temperature exceeds 70°C (158°F), and leave it at idle for more than 5 minutes. 2) Read the data of rear oxygen sensor signal using Subaru Select Monitor or general scan tool.</p> <p>NOTE:</p> <ul style="list-style-type: none"> • Subaru Select Monitor <p>For detailed operation procedure, refer to the "READ CURRENT DATA SHOWN ON DISPLAY FOR ENGINE". <Ref. to EN(H4SO)(diag)-28, Subaru Select Monitor.></p> <ul style="list-style-type: none"> • General scan tool <p>For detailed operation procedure, refer to the general scan tool instruction manual.</p>	<p>Does the voltage keep 0.8 V for more than 5 minutes?</p>	<p>Replace the front oxygen (A/F) sensor. <Ref. to FU(H4SO)-36, Front Oxygen (A/F) Sensor.></p>	<p>Go to step 19.</p>
<p>19 CHECK HARNESS BETWEEN ECM AND REAR OXYGEN SENSOR CONNECTOR. 1) Turn the ignition switch to OFF. 2) Disconnect the connectors from ECM and rear oxygen sensor. 3) Measure the resistance of harness between ECM and rear oxygen sensor connector.</p> <p>Connector & terminal (B135) No. 4 — (E119) No. 3: (B134) No. 29 — (E119) No. 4:</p>	<p>Is the measured value more than 3 Ω?</p>	<p>Repair open circuit in harness between ECM and rear oxygen sensor connector.</p>	<p>Go to step 20.</p>

Diagnostic Procedure with Diagnostic Trouble Code (DTC)

ENGINE (DIAGNOSTICS)

Step	Check	Yes	No
20 CHECK HARNESS BETWEEN REAR OXYGEN SENSOR AND ECM CONNECTOR. 1) Turn the ignition switch to OFF. 2) Disconnect the connector from rear oxygen sensor. 3) Turn the ignition switch to ON. 4) Measure the voltage between rear oxygen sensor harness connector and engine ground or chassis ground. <i>Connector & terminal</i> <i>(E119) No. 3 (+) — Engine ground (-):</i>	Is the measured value within 0.2 to 0.5 V?	Replace the rear oxygen sensor. <Ref. to FU(H4SO)-37, Rear Oxygen Sensor.>	Repair harness and connector. NOTE: In this case, repair the following: <ul style="list-style-type: none"> • Open circuit in harness between rear oxygen sensor and ECM connector • Poor contact in rear oxygen sensor connector • Poor contact in ECM connector

DE:DTC P2097 POST CATALYST FUEL TRIM SYSTEM TOO RICH BANK 1

DTC DETECTING CONDITION:

- Two consecutive driving cycles with fault
- GENERAL DESCRIPTION <Ref. to GD(H4SO)-180, DTC P2097 POST CATALYST FUEL TRIM SYSTEM TOO RICH BANK 1, Diagnostic Trouble Code (DTC) Detecting Criteria.>

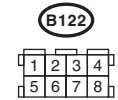
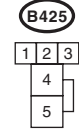
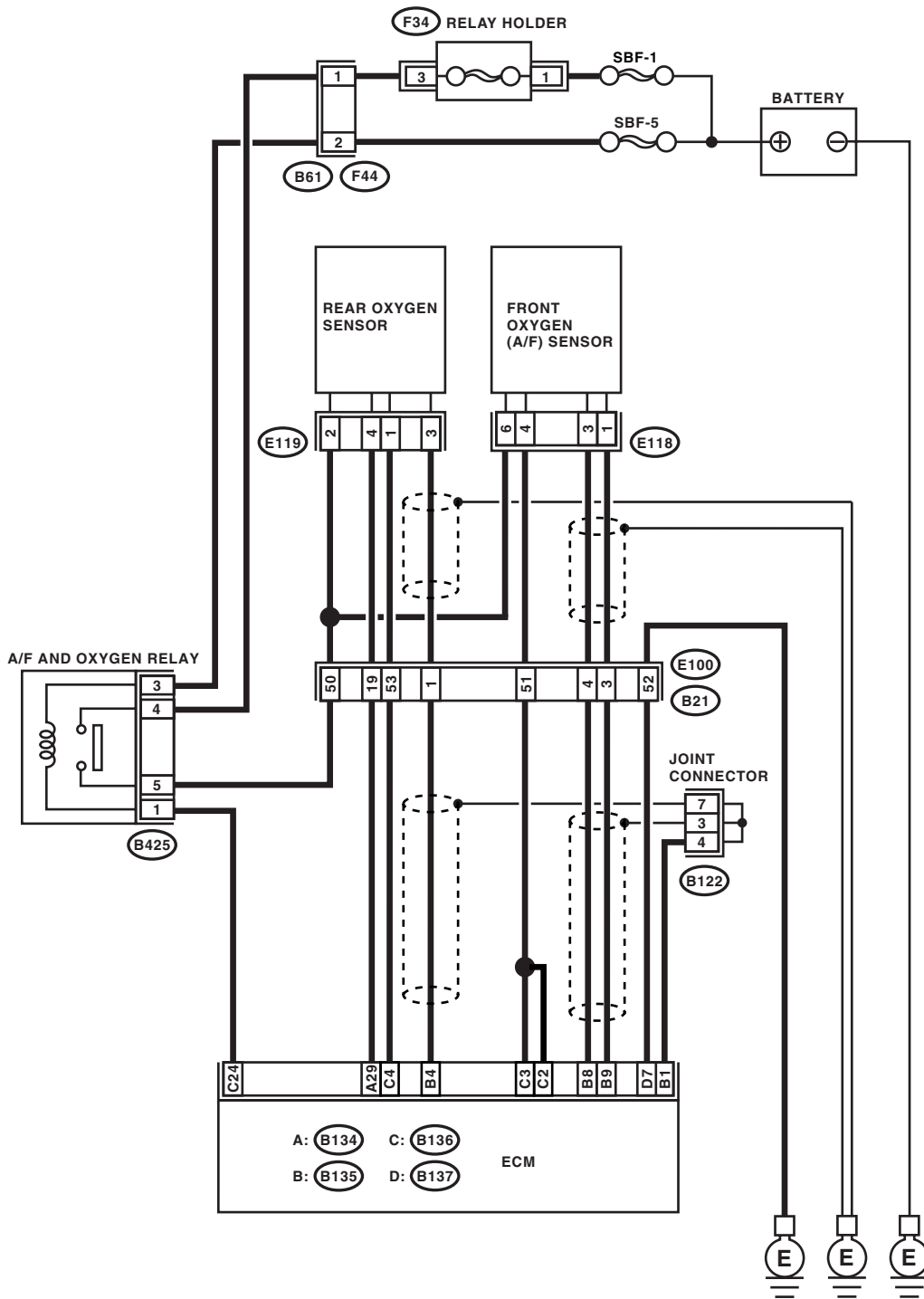
CAUTION:

After repair or replacement of faulty parts, conduct Clear Memory Mode <Ref. to EN(H4SO)(diag)-46, OPERATION, Clear Memory Mode.> and Inspection Mode <Ref. to EN(H4SO)(diag)-36, PROCEDURE, Inspection Mode.>.

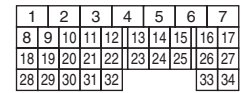
Diagnostic Procedure with Diagnostic Trouble Code (DTC)

ENGINE (DIAGNOSTICS)

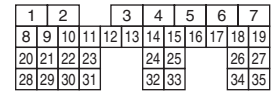
WIRING DIAGRAM:



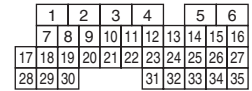
A: **B134**



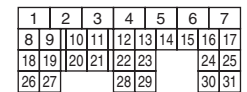
B: **B135**



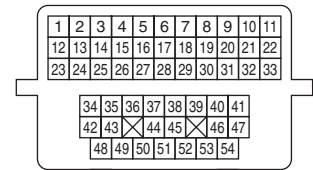
C: **B136**



D: **B137**



B21



EN-04626

Diagnostic Procedure with Diagnostic Trouble Code (DTC)

ENGINE (DIAGNOSTICS)

Step	Check	Yes	No	
1	CHECK FOR ANY OTHER DTC ON DISPLAY.	Is any other DTC displayed?	Check DTC using "List of Diagnostic Trouble Code (DTC)". <Ref. to EN(H4SO)(diag)-73, List of Diagnostic Trouble Code (DTC).> NOTE: In this case, it is not necessary to inspect DTC P2097.	Go to step 2.
2	CHECK FRONT OXYGEN (A/F) SENSOR CONNECTOR AND COUPLING CONNECTOR.	Is there water in connector?	Remove infiltrating water completely.	Go to step 3.
3	CHECK HARNESS BETWEEN ECM AND FRONT OXYGEN (A/F) SENSOR CONNECTOR. 1) Turn the ignition switch to OFF. 2) Disconnect the connectors from ECM and front oxygen (A/F) sensor connector. 3) Measure the resistance of harness between ECM and front oxygen (A/F) sensor connector. Connector & terminal (B135) No. 8 — (E118) No. 3: (B135) No. 9 — (E118) No. 1:	Is the measured value less than 1 Ω ?	Go to step 4.	Repair the harness and connector. NOTE: In this case, repair the following: • Open circuit in harness between ECM and front oxygen (A/F) sensor connector • Poor contact in front oxygen (A/F) sensor connector • Poor contact in ECM connector
4	CHECK HARNESS BETWEEN ECM AND FRONT OXYGEN (A/F) SENSOR CONNECTOR. Measure the resistance of harness between ECM connector and chassis ground. Connector & terminal (B135) No. 8 — Chassis ground: (B135) No. 9 — Chassis ground:	Is the measured value more than 1 M Ω ?	Go to step 5.	Repair the ground short circuit in harness between ECM and front oxygen (A/F) sensor connector.
5	CHECK OUTPUT SIGNAL FOR ECM. 1) Connect the connector to ECM. 2) Turn the ignition switch to ON. 3) Measure the voltage between ECM connector and chassis ground. Connector & terminal (B135) No. 8 (+) — Chassis ground (-):	Is the measured value more than 4.5 V?	Go to step 6.	Go to step 7.
6	CHECK OUTPUT SIGNAL FOR ECM. Measure the voltage between ECM connector and chassis ground. Connector & terminal (B135) No. 8 (+) — Chassis ground (-):	Is the measured value more than 10 V?	Repair the battery short circuit in harness between ECM and front oxygen (A/F) sensor connector. After repair, replace the ECM. <Ref. to FU(H4SO)-38, Engine Control Module (ECM).>	Repair the poor contact in ECM connector.

Diagnostic Procedure with Diagnostic Trouble Code (DTC)

ENGINE (DIAGNOSTICS)

Step	Check	Yes	No
7 CHECK OUTPUT SIGNAL FOR ECM. Measure the voltage between ECM connector and chassis ground. <i>Connector & terminal</i> <i>(B135) No. 9 (+) — Chassis ground (-):</i>	Is the measured value more than 4.95 V?	Go to step 8 .	Go to step 9 .
8 CHECK OUTPUT SIGNAL FOR ECM. Measure the voltage between ECM connector and chassis ground. <i>Connector & terminal</i> <i>(B135) No. 9 (+) — Chassis ground (-):</i>	Is the measured value more than 10 V?	Repair the battery short circuit in harness between ECM and front oxygen (A/F) sensor connector. After repair, replace the ECM. <Ref. to FU(H4SO)-38, Engine Control Module (ECM).>	Repair the poor contact in ECM connector.
9 CHECK EXHAUST SYSTEM.	Are there holes or loose bolts on exhaust system?	Repair the exhaust system.	Go to step 10 .
10 CHECK AIR INTAKE SYSTEM.	Are there holes, loose bolts or disconnection of hose on air intake system?	Repair the air intake system.	Go to step 11 .
11 CHECK FUEL PRESSURE. Warning: <ul style="list-style-type: none"> • Place “NO FIRE” signs near the working area. • Be careful not to spill fuel on the floor. Measure the fuel pressure. <Ref. to ME(H4SO)-29, INSPECTION, Fuel Pressure.> Warning: Before removing the fuel pressure gauge, release fuel pressure.	Is the measured value 339.5 — 360.5 kPa (3.5 — 3.7 kgf/cm ² , 49 — 52 psi)?	Go to step 12 .	Repair the following items. Fuel pressure too high: <ul style="list-style-type: none"> • Clogged fuel line or bent hose Fuel pressure too low: <ul style="list-style-type: none"> • Improper fuel pump discharge • Clogged fuel line
12 CHECK ENGINE COOLANT TEMPERATURE SENSOR. 1) Start the engine and warm-up completely. 2) Read the data of engine coolant temperature sensor signal using Subaru Select Monitor or general scan tool. NOTE: <ul style="list-style-type: none"> • Subaru Select Monitor For detailed operation procedure, refer to the “READ CURRENT DATA FOR ENGINE”. <Ref. to EN(H4SO)(diag)-28, Subaru Select Monitor.> • General scan tool For detailed operation procedure, refer to the general scan tool instruction manual. 	Is the temperature more than 60°C (140°F)?	Go to step 13 .	Replace the engine coolant temperature sensor. <Ref. to FU(H4SO)-22, Engine Coolant Temperature Sensor.>

Diagnostic Procedure with Diagnostic Trouble Code (DTC)

ENGINE (DIAGNOSTICS)

Step	Check	Yes	No
<p>13 CHECK MASS AIR FLOW AND INTAKE AIR TEMPERATURE SENSOR.</p> <p>1) Start the engine and warm-up engine until coolant temperature is greater than 60°C (140°F).</p> <p>2) Place the shift lever in neutral position.</p> <p>3) Turn the A/C switch to OFF.</p> <p>4) Turn all accessory switches to OFF.</p> <p>5) Read the data of mass air flow and intake air temperature sensor signal using Subaru Select Monitor or general scan tool.</p> <p>NOTE:</p> <ul style="list-style-type: none"> • Subaru Select Monitor <p>For detailed operation procedure, refer to the "READ CURRENT DATA FOR ENGINE". <Ref. to EN(H4SO)(diag)-28, Subaru Select Monitor.></p> <ul style="list-style-type: none"> • General scan tool <p>For detailed operation procedure, refer to the general scan tool instruction manual.</p>	<p>Is the measured value 2.1 — 3.4 g/s (0.28 — 0.45 lb/m)?</p>	<p>Go to step 14.</p>	<p>Replace the mass air flow and intake air temperature sensor. <Ref. to FU(H4SO)-28, Mass Air Flow and Intake Air Temperature Sensor.></p>
<p>14 CHECK MASS AIR FLOW AND INTAKE AIR TEMPERATURE SENSOR.</p> <p>1) Start the engine and warm-up engine until coolant temperature is greater than 60°C (140°F).</p> <p>2) Place the shift lever in neutral position.</p> <p>3) Turn the A/C switch to OFF.</p> <p>4) Turn all accessory switches to OFF.</p> <p>5) Open the front hood.</p> <p>6) Measure the ambient temperature.</p> <p>7) Read the data of mass air flow and intake air temperature sensor signal using Subaru Select Monitor or general scan tool.</p> <p>NOTE:</p> <ul style="list-style-type: none"> • Subaru Select Monitor <p>For detailed operation procedure, refer to the "READ CURRENT DATA FOR ENGINE". <Ref. to EN(H4SO)(diag)-28, Subaru Select Monitor.></p> <ul style="list-style-type: none"> • General scan tool <p>For detailed operation procedure, refer to the general scan tool instruction manual.</p>	<p>Subtract ambient temperature from intake air temperature. Is the obtained value -10 — 50°C (-18 — 90°F)?</p>	<p>Go to step 15.</p>	<p>Check the mass air flow and intake air temperature sensor. <Ref. to FU(H4SO)-28, Mass Air Flow and Intake Air Temperature Sensor.></p>
<p>15 CHECK REAR OXYGEN SENSOR DATA.</p> <p>1) Warm-up the engine until engine coolant temperature is above 70°C (158°F), and keep the engine speed at 3,000 rpm. (2 minutes at the longest)</p> <p>2) Read the data of rear oxygen sensor signal using Subaru Select Monitor or general scan tool.</p> <p>NOTE:</p> <ul style="list-style-type: none"> • For MT model, depress the clutch pedal. • Subaru Select Monitor <p>For detailed operation procedure, refer to the "READ CURRENT DATA SHOWN ON DISPLAY FOR ENGINE". <Ref. to EN(H4SO)(diag)-28, Subaru Select Monitor.></p> <ul style="list-style-type: none"> • General scan tool <p>For detailed operation procedure, refer to the general scan tool instruction manual.</p>	<p>Is the measured value more than 490 mV?</p>	<p>Go to step 16.</p>	<p>Go to step 17.</p>

Diagnostic Procedure with Diagnostic Trouble Code (DTC)

ENGINE (DIAGNOSTICS)

Step	Check	Yes	No
<p>16 CHECK REAR OXYGEN SENSOR DATA.</p> <p>1) Warm-up the engine until engine coolant temperature is above 70°C (158°F), and immediately decrease the engine speed from 3,000 rpm.</p> <p>2) Read the data of rear oxygen sensor signal using Subaru Select Monitor or general scan tool.</p> <p>NOTE:</p> <ul style="list-style-type: none"> • For MT model, depress the clutch pedal. • Subaru Select Monitor <p>For detailed operation procedure, refer to the "READ CURRENT DATA SHOWN ON DISPLAY FOR ENGINE". <Ref. to EN(H4SO)(diag)-28, Subaru Select Monitor.></p> <ul style="list-style-type: none"> • General scan tool <p>For detailed operation procedure, refer to the general scan tool instruction manual.</p>	<p>Is the measured value less than 250 mV?</p>	<p>Go to step 18.</p>	<p>Go to step 17.</p>
<p>17 CHECK REAR OXYGEN SENSOR CONNECTOR AND COUPLING CONNECTOR.</p>	<p>Is there water in connector?</p>	<p>Remove infiltrating water completely.</p>	<p>Go to step 19.</p>
<p>18 CHECK FRONT OXYGEN (A/F) SENSOR AND REAR OXYGEN SENSOR DATA.</p> <p>1) Warm-up the engine until the engine coolant temperature exceeds 70°C (158°F), and leave it at idle for more than 5 minutes.</p> <p>2) Read the data of rear oxygen sensor signal using Subaru Select Monitor or general scan tool.</p> <p>NOTE:</p> <ul style="list-style-type: none"> • Subaru Select Monitor <p>For detailed operation procedure, refer to the "READ CURRENT DATA SHOWN ON DISPLAY FOR ENGINE". <Ref. to EN(H4SO)(diag)-28, Subaru Select Monitor.></p> <ul style="list-style-type: none"> • General scan tool <p>For detailed operation procedure, refer to the general scan tool instruction manual.</p>	<p>Does the voltage keep 0.8 V for more than 5 minutes?</p>	<p>Replace the front oxygen (A/F) sensor. <Ref. to FU(H4SO)-36, Front Oxygen (A/F) Sensor.></p>	<p>Go to step 19.</p>
<p>19 CHECK HARNESS BETWEEN ECM AND REAR OXYGEN SENSOR CONNECTOR.</p> <p>1) Turn the ignition switch to OFF.</p> <p>2) Disconnect the connectors from ECM and rear oxygen sensor.</p> <p>3) Measure the resistance of harness between ECM and rear oxygen sensor connector.</p> <p>Connector & terminal (B135) No. 4 — (E119) No. 3: (B134) No. 29 — (E119) No. 4:</p>	<p>Is the measured value more than 3 Ω?</p>	<p>Repair open circuit in harness between ECM and rear oxygen sensor connector.</p>	<p>Go to step 20.</p>

Diagnostic Procedure with Diagnostic Trouble Code (DTC)

ENGINE (DIAGNOSTICS)

Step	Check	Yes	No
20 CHECK HARNESS BETWEEN REAR OXYGEN SENSOR AND ECM CONNECTOR. 1) Turn the ignition switch to OFF. 2) Disconnect the connector from rear oxygen sensor. 3) Turn the ignition switch to ON. 4) Measure the voltage between rear oxygen sensor harness connector and engine ground or chassis ground. <i>Connector & terminal</i> <i>(E119) No. 3 (+) — Engine ground (-):</i>	Is the measured value within 0.2 to 0.5 V?	Replace the rear oxygen sensor. <Ref. to FU(H4SO)-37, Rear Oxygen Sensor.>	Repair harness and connector. NOTE: In this case, repair the following: <ul style="list-style-type: none"> • Open circuit in harness between rear oxygen sensor and ECM connector • Poor contact in rear oxygen sensor connector • Poor contact in ECM connector

DF:DTC P2101 THROTTLE ACTUATOR CONTROL MOTOR CIRCUIT RANGE/ PERFORMANCE

DTC DETECTING CONDITION:

- Immediately at fault recognition
- GENERAL DESCRIPTION <Ref. to GD(H4SO)-151, DTC P0638 THROTTLE ACTUATOR CONTROL RANGE/PERFORMANCE (BANK 1), Diagnostic Trouble Code (DTC) Detecting Criteria.>, <Ref. to GD(H4SO)-164, DTC P1160 RETURN SPRING FAILURE, Diagnostic Trouble Code (DTC) Detecting Criteria.> and <Ref. to GD(H4SO)-187, DTC P2109 THROTTLE ANGLE SENSOR CLOSED POSITION ERROR, Diagnostic Trouble Code (DTC) Detecting Criteria.>

TROUBLE SYMPTOM:

- Erroneous idling
- Poor driving performance
- Engine stalls.

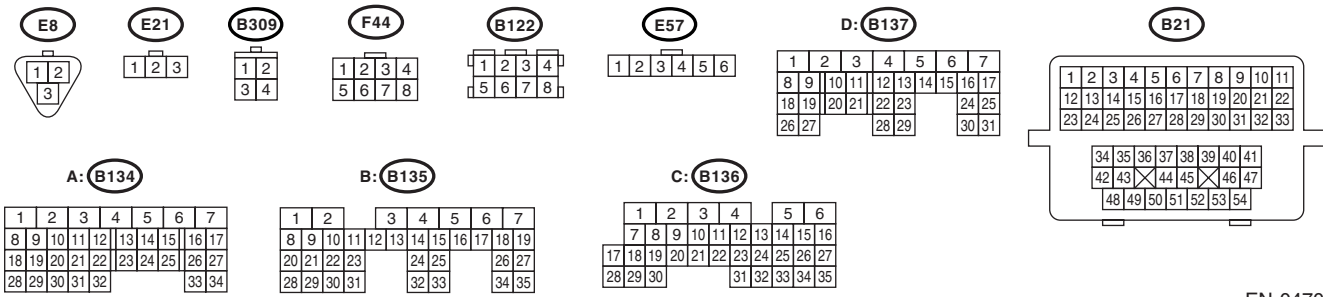
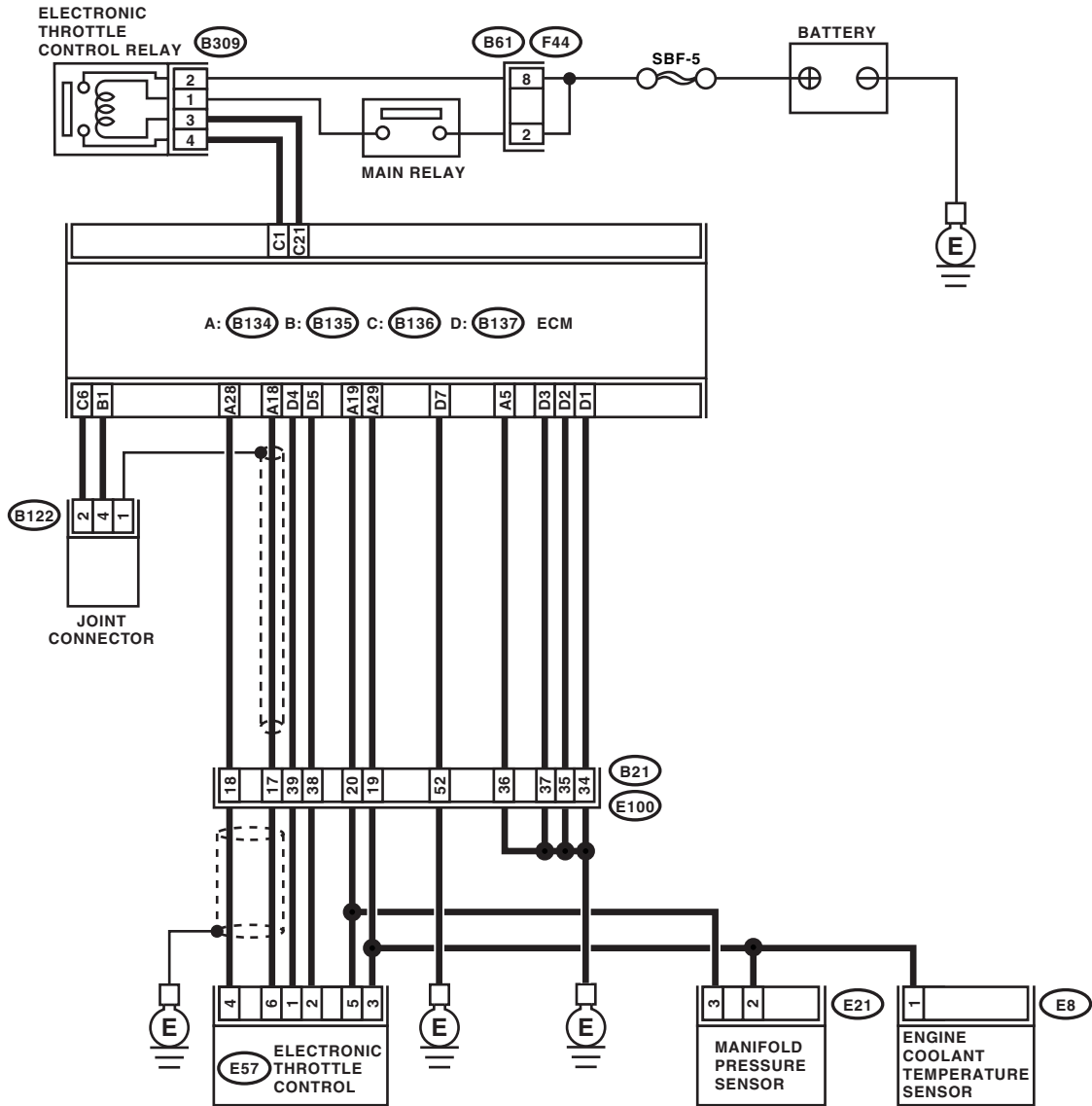
CAUTION:

After repair or replacement of faulty parts, conduct Clear Memory Mode <Ref. to EN(H4SO)(diag)-46, OPERATION, Clear Memory Mode.> and Inspection Mode <Ref. to EN(H4SO)(diag)-36, PROCEDURE, Inspection Mode.>.

Diagnostic Procedure with Diagnostic Trouble Code (DTC)

ENGINE (DIAGNOSTICS)

WIRING DIAGRAM:



EN-04700

Diagnostic Procedure with Diagnostic Trouble Code (DTC)

ENGINE (DIAGNOSTICS)

Step	Check	Yes	No
1 CHECK ELECTRONIC THROTTLE CONTROL RELAY. 1) Turn the ignition switch to OFF. 2) Remove the electronic throttle control relay. 3) Using a lead wire, connect the terminal No. 1 of electronic throttle control to positive terminal of battery, and terminal No. 3 to battery ground terminal. 4) Measure the resistance between electronic throttle control relay terminals. Terminals No. 2 — No. 4:	Is the resistance less than 1 Ω ?	Go to step 2.	Replace the electronic throttle control relay.
2 CHECK POWER SUPPLY TO ELECTRONIC THROTTLE CONTROL RELAY. Measure the voltage between electronic throttle control relay connector and chassis ground. Connector & terminal (B309) No. 1 (+) — Chassis ground (-): (B309) No. 2 (+) — Chassis ground (-):	Is the voltage more than 5 V?	Go to step 3.	Repair the open power supply circuit.
3 CHECK HARNESS BETWEEN ECM AND ELECTRONIC THROTTLE CONTROL. 1) Disconnect the connector from ECM. 2) Turn the ignition switch to ON. 3) Measure the voltage between electronic throttle control relay connector and chassis ground. Connector & terminal (B309) No. 3 (+) — Chassis ground (-):	Is the voltage less than 5 V?	Repair short of the power supply circuit between ECM and electronic throttle control.	Go to step 4.
4 CHECK HARNESS BETWEEN ECM AND ELECTRONIC THROTTLE CONTROL. 1) Turn the ignition switch to OFF. 2) Measure the resistance between electronic throttle control electronic throttle control relay connector and chassis ground. Connector & terminal (B309) No. 3 — Chassis ground: (B309) No. 4 — Chassis ground:	Is the resistance more than 1 $M\Omega$?	Go to step 5.	Repair the ground short of harness between ECM and electronic throttle control relay.
5 CHECK HARNESS BETWEEN ECM AND ELECTRONIC THROTTLE CONTROL RELAY. 1) Turn the ignition switch to OFF. 2) Measure the resistance between electronic throttle control connector and electronic throttle control relay connector. Connector & terminal (B136) No. 21 — (B309) No. 3: (B136) No. 1 — (B309) No. 4:	Is the resistance less than 1 Ω ?	Go to step 6.	Repair the open circuit of harness between ECM and electronic throttle control relay.
6 CHECK OUTPUT VOLTAGE OF SENSOR. 1) Connect all the connectors. 2) Turn the ignition switch to ON. 3) Read the data of main throttle sensor signal, using the Subaru Select Monitor.	Is the voltage more than 0.4 V?	Go to step 7.	Go to step 9.
7 CHECK OUTPUT VOLTAGE OF SENSOR. 1) Connect all the connectors. 2) Turn the ignition switch to ON. 3) Read the data of sub throttle sensor signal, using the Subaru Select Monitor.	Is the voltage more than 0.8 V?	Go to step 8.	Go to step 9.
8 CHECK POOR CONTACT. Check poor contact between ECM connector and electronic throttle control connector.	Is there poor contact between ECM connector and electronic throttle control connector?	Repair the poor contact.	Go to step 13.

Diagnostic Procedure with Diagnostic Trouble Code (DTC)

ENGINE (DIAGNOSTICS)

Step	Check	Yes	No
9 CHECK HARNESS BETWEEN ECM AND ELECTRONIC THROTTLE CONTROL. 1) Turn the ignition switch to OFF. 2) Disconnect the connector from ECM. 3) Disconnect the connector from electronic throttle control. 4) Measure the resistance between ECM connector and electronic throttle control connector. <i>Connector & terminal</i> <i>(B134) No. 18 — (E57) No. 6:</i> <i>(B134) No. 28 — (E57) No. 4:</i>	Is the resistance less than 1 Ω ?	Go to step 10.	Repair the open harness connector.
10 CHECK THE HARNESS BETWEEN ECM AND ELECTRONIC THROTTLE CONTROL. Measure the resistance between ECM connector and chassis ground. <i>Connector & terminal</i> <i>(B134) No. 18 — Chassis ground:</i> <i>(B134) No. 28 — Chassis ground:</i>	Is the resistance more than 1 M Ω ?	Go to step 11.	Repair the ground short of harness.
11 CHECK POWER SUPPLY TO SENSOR. 1) Connect the ECM connector. 2) Turn the ignition switch to ON. 3) Measure the resistance between electronic throttle control connector and engine ground. <i>Connector & terminal</i> <i>(E57) No. 5 (+) — Engine ground (-):</i>	Is the voltage 4.5 — 5.5 V?	Go to step 12.	Repair the poor contact in ECM connector. If problem persists, replace the ECM. <Ref. to FU(H4SO)-38, Engine Control Module (ECM).>
12 CHECK SHORT OF ECM. 1) Turn the ignition switch to OFF. 2) Measure the resistance between electronic throttle control connector and engine ground. <i>Connector & terminal</i> <i>(E57) No. 6 — Engine ground:</i> <i>(E57) No. 4 — Engine ground:</i>	Is the resistance more than 10 Ω ?	Go to step 13.	Repair the poor contact in ECM connector. If problem persists, replace the ECM. <Ref. to FU(H4SO)-38, Engine Control Module (ECM).>
13 CHECK OUTPUT VOLTAGE OF SENSOR. 1) Connect all the connectors. 2) Turn the ignition switch to ON. 3) Read the data of main throttle sensor signal, using the Subaru Select Monitor.	Is the voltage less than 4.63 V?	Go to step 14.	Go to step 16.
14 CHECK OUTPUT VOLTAGE OF SENSOR. Read the data of sub throttle sensor signal, using the Subaru Select Monitor.	Is the voltage less than 4.73 V?	Go to step 15.	Go to step 16.
15 CHECK POOR CONTACT IN CONNECTORS. Check poor contact in connectors between ECM and electronic throttle control?	Is there poor contact in connectors between ECM and electronic throttle control?	Repair the poor contact in connectors.	Go to step 21.
16 CHECK HARNESS BETWEEN ECM AND ELECTRONIC THROTTLE CONTROL. 1) Turn the ignition switch to OFF. 2) Disconnect the connector from ECM. 3) Disconnect the connector from electronic throttle control. 4) Measure the resistance between ECM connector and electronic throttle control connector. <i>Connector & terminal</i> <i>(B134) No. 18 — (E57) No. 6:</i> <i>(B134) No. 28 — (E57) No. 4:</i>	Is the resistance less than 1 Ω ?	Go to step 17.	Repair the open harness connector.

Diagnostic Procedure with Diagnostic Trouble Code (DTC)

ENGINE (DIAGNOSTICS)

Step	Check	Yes	No
17 CHECK HARNESS BETWEEN ECM AND ELECTRONIC THROTTLE CONTROL. 1) Connect the ECM connector. 2) Measure the resistance between electronic throttle control connector and engine ground. <i>Connector & terminal</i> <i>(E57) No. 3 — Engine ground:</i>	Is the resistance less than 5 Ω ?	Go to step 18 .	Repair the poor contact in ECM connector. If problem persists, replace the ECM. <Ref. to FU(H4SO)-38, Engine Control Module (ECM).>
18 CHECK HARNESS BETWEEN ECM AND ELECTRONIC THROTTLE CONTROL. 1) Turn the ignition switch to ON. 2) Measure the voltage between electronic throttle control connector and engine ground. <i>Connector & terminal</i> <i>(E57) No. 5 (+) — Engine ground (-):</i>	Is the voltage more than 10 V?	Go to step 19 .	Repair the battery short of harness between ECM connector and electronic throttle control connector.
19 CHECK HARNESS BETWEEN ECM AND ELECTRONIC THROTTLE CONTROL. Measure the voltage between electronic throttle control connector and engine ground. <i>Connector & terminal</i> <i>(E57) No. 6 (+) — Engine ground (-):</i> <i>(E57) No. 4 (+) — Engine ground (-):</i>	Is the voltage less than 10 V?	Go to step 20 .	Repair the short of harness between ECM connector and electronic throttle control connector.
20 CHECK HARNESS BETWEEN ECM AND ELECTRONIC THROTTLE CONTROL. 1) Turn the ignition switch to OFF. 2) Remove the ECM. 3) Measure the voltage between ECM connectors. <i>Connector & terminal</i> <i>(B134) No. 18 — (B136) No. 21:</i> <i>(B134) No. 28 — (B136) No. 21:</i>	Is the resistance more than 1 M Ω ?	Go to step 21 .	Repair the short of sensor power supply.
21 CHECK OUTPUT VOLTAGE OF SENSOR. 1) Turn the ignition switch to OFF. 2) Connect all the connectors except electronic throttle control replay. 3) Turn the ignition switch to ON. 4) Read the data of main throttle sensor signals, using Subaru Select Monitor.	Is the voltage 0.81 — 0.87 V?	Go to step 22 .	Repair the poor contact in electronic throttle control connector. If problem persists, replace the electronic throttle control. <Ref. to FU(H4SO)-12, Throttle Body.>
22 CHECK OUTPUT VOLTAGE OF SENSOR. Read the data of sub throttle sensor signals, using Subaru Select Monitor.	Is the voltage 1.64 — 1.70 V?	Go to step 23 .	Repair the poor contact in electronic throttle control connector. If problem persists, replace the electronic throttle control. <Ref. to FU(H4SO)-12, Throttle Body.>

Diagnostic Procedure with Diagnostic Trouble Code (DTC)

ENGINE (DIAGNOSTICS)

Step	Check	Yes	No
23 CHECK HARNESS BETWEEN ECM AND ELECTRONIC THROTTLE CONTROL MOTOR. 1) Turn the ignition switch to OFF. 2) Disconnect the connector from ECM. 3) Disconnect the connectors from electronic throttle control. 4) Measure the resistance between ECM connector and electronic throttle control connector. <i>Connector & terminal</i> <i>(B137) No. 5 — (E57) No. 2:</i> <i>(B137) No. 4 — (E57) No. 1:</i>	Is the resistance less than 1 Ω ?	Go to step 24 .	Repair the open harness connector.
24 CHECK HARNESS BETWEEN ECM AND ELECTRONIC THROTTLE CONTROL MOTOR. 1) Connect the connectors to ECM. 2) Turn the ignition switch to ON. 3) Measure the voltage between electronic throttle control connector and engine ground. <i>Connector & terminal</i> <i>(E57) No. 2 (+) — Engine ground (-):</i> <i>(E57) No. 1 (+) — Engine ground (-):</i>	Is the voltage less than 5 V?	Go to step 25 .	Repair the short of harness to power supply circuit between ECM and electronic throttle control.
25 CHECK HARNESS BETWEEN ECM AND ELECTRONIC THROTTLE CONTROL MOTOR. 1) Turn the ignition switch to OFF. 2) Disconnect the connector from ECM. 3) Measure the resistance between electronic throttle control connector and engine ground. <i>Connector & terminal</i> <i>(E57) No. 2 — Engine ground:</i> <i>(E57) No. 1 — Engine ground:</i>	Is the resistance more than 1 M Ω ?	Go to step 26 .	Repair the short of harness.
26 CHECK ELECTRONIC THROTTLE CONTROL MOTOR HARNESS. Measure the resistance between electronic throttle control connector terminals. <i>Connector & terminal</i> <i>(E57) No. 2 — (E57) No. 1:</i>	Is the resistance more than 1 M Ω ?	Go to step 27 .	Repair the short of harness.
27 CHECK ELECTRONIC THROTTLE CONTROL GROUND CIRCUIT. Measure the resistance between ECM connector and chassis ground. <i>Connector & terminal</i> <i>(B134) No. 5 — Chassis ground:</i> <i>(B137) No. 1 — Chassis ground:</i> <i>(B137) No. 2 — Chassis ground:</i> <i>(B137) No. 3 — Chassis ground:</i> <i>(B137) No. 7 — Chassis ground:</i>	Is the resistance less than 10 Ω ?	Go to step 28 .	Repair the open circuit harness.
28 CHECK ELECTRONIC THROTTLE CONTROL. Measure the resistance between electronic throttle control terminals. <i>Terminals</i> <i>No. 1 — No. 2:</i>	Is the resistance less than 50 Ω ?	Go to step 29 .	Replace the electronic throttle control. <Ref. to FU(H4SO)-12, Throttle Body.>

Diagnostic Procedure with Diagnostic Trouble Code (DTC)

ENGINE (DIAGNOSTICS)

Step	Check	Yes	No
29 CHECK ELECTRONIC THROTTLE CONTROL. Open and close the throttle valve to its full width with finger.	Does it return to specified position (3 mm (0.12 in) open from fully closed position.) when finger is released?	Repair the poor contact in ECM connector. If problem persists, replace the ECM. <Ref. to FU(H4SO)-38, Engine Control Module (ECM).>	Replace the electronic throttle control. <Ref. to FU(H4SO)-12, Throttle Body.>

DG:DTC P2102 THROTTLE ACTUATOR CONTROL MOTOR CIRCUIT LOW

DTC DETECTING CONDITION:

- Immediately at fault recognition
- GENERAL DESCRIPTION <Ref. to GD(H4SO)-184, DTC P2102 THROTTLE ACTUATOR CONTROL MOTOR CIRCUIT LOW, Diagnostic Trouble Code (DTC) Detecting Criteria.>

TROUBLE SYMPTOM:

- Erroneous idling
- Poor driving performance
- Engine stalls.

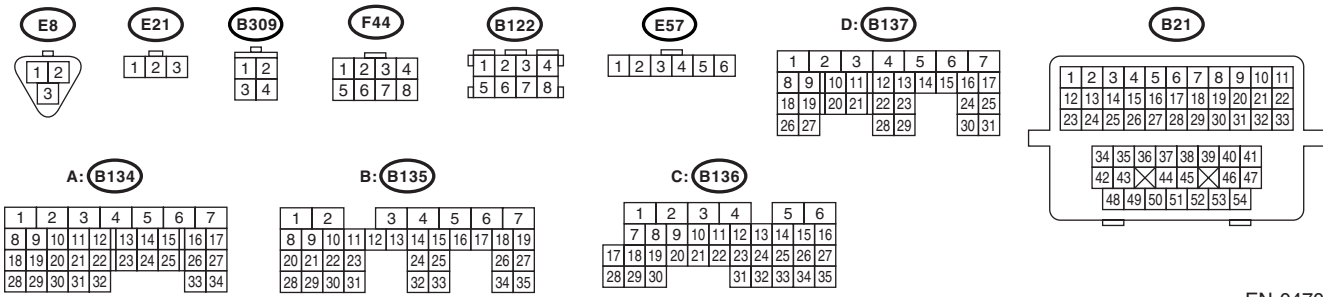
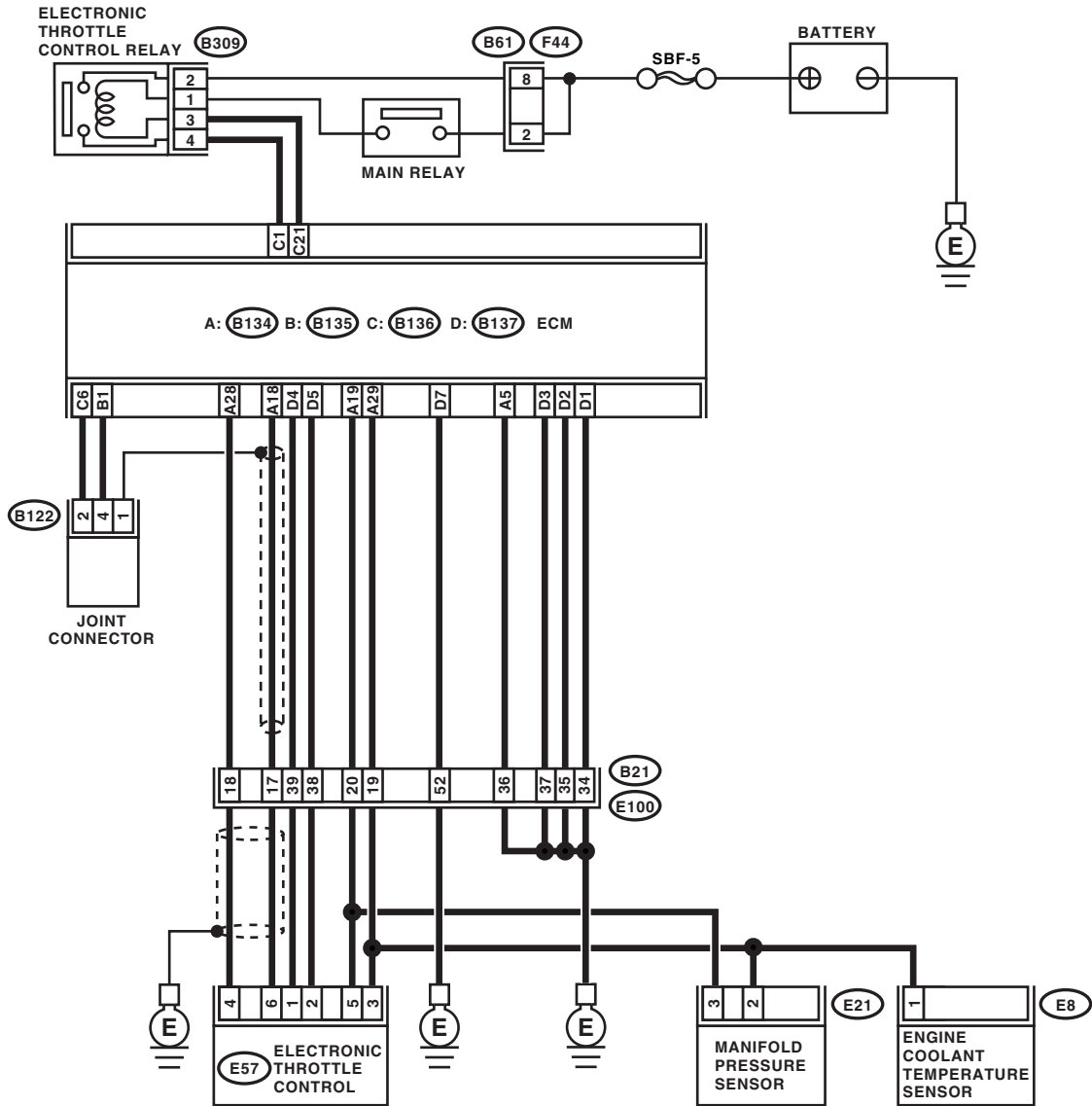
CAUTION:

After repair or replacement of faulty parts, conduct Clear Memory Mode <Ref. to EN(H4SO)(diag)-46, OPERATION, Clear Memory Mode.> and Inspection Mode <Ref. to EN(H4SO)(diag)-36, PROCEDURE, Inspection Mode.>.

Diagnostic Procedure with Diagnostic Trouble Code (DTC)

ENGINE (DIAGNOSTICS)

WIRING DIAGRAM:



EN-04700

Diagnostic Procedure with Diagnostic Trouble Code (DTC)

ENGINE (DIAGNOSTICS)

Step	Check	Yes	No
1 CHECK ELECTRONIC THROTTLE CONTROL RELAY. 1) Turn the ignition switch to OFF. 2) Remove the electronic throttle control relay. 3) Using a lead wire, connect the terminal No. 1 of electronic throttle control to positive terminal of battery, and terminal No. 3 to battery ground terminal. 4) Measure the resistance between electronic throttle control relay terminals. Connector & terminal No. 2 — No. 4:	Is the resistance less than 1 Ω ?	Go to step 2.	Replace the electronic throttle control relay.
2 CHECK POWER TO ELECTRONIC THROTTLE CONTROL RELAY Measure the voltage between electronic throttle control relay connector and chassis ground. Connector & terminal (B309) No. 1 (+) — Chassis ground (-): (B309) No. 2 (+) — Chassis ground (-):	Is the voltage more than 5 V?	Go to step 3.	Repair the open power supply circuit or ground short.
3 CHECK HARNESS BETWEEN ECM AND ELECTRONIC THROTTLE CONTROL. 1) Disconnect the connector from ECM. 2) Turn the ignition switch to ON. 3) Measure the voltage between electronic throttle control relay connector and chassis ground. Connector & terminal (B309) No. 3 (+) — Chassis ground (-):	Is the voltage less than 5 V?	Go to step 4.	Repair the short of power supply circuit between ECM and electronic throttle control.
4 CHECK HARNESS BETWEEN ECM AND ELECTRONIC THROTTLE CONTROL RELAY. 1) Turn the ignition switch to OFF. 2) Measure the resistance between electronic throttle control relay connector and chassis ground. Connector & terminal (B309) No. 3 — Chassis ground: (B309) No. 4 — Chassis ground:	Is the resistance more than 1 $M\Omega$?	Go to step 5.	Repair the ground short of harness between ECM and electronic throttle control relay.
5 CHECK HARNESS BETWEEN ECM AND ELECTRONIC THROTTLE CONTROL RELAY. Measure the resistance between ECM connector and electronic throttle control relay connector. Connector & terminal (B136) No. 21 — (B309) No. 3: (B136) No. 1 — (B309) No. 4:	Is the resistance less than 1 Ω ?	Repair the poor contact in ECM connector. If problem persists, replace the ECM. <Ref. to FU(H4SO)-38, Engine Control Module (ECM).>	Repair the open circuit in harness between ECM and electronic throttle control relay.

DH:DTC P2103 THROTTLE ACTUATOR CONTROL MOTOR CIRCUIT HIGH

DTC DETECTING CONDITION:

- Immediately at fault recognition
- GENERAL DESCRIPTION <Ref. to GD(H4SO)-185, DTC P2103 THROTTLE ACTUATOR CONTROL MOTOR CIRCUIT HIGH, Diagnostic Trouble Code (DTC) Detecting Criteria.>

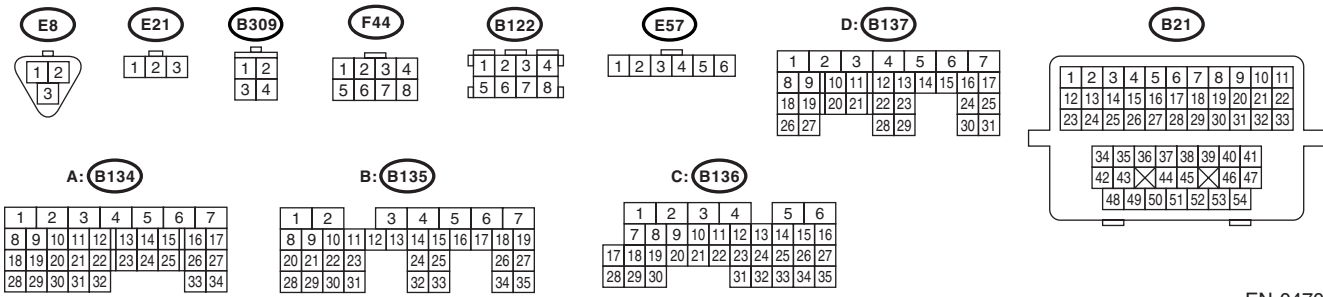
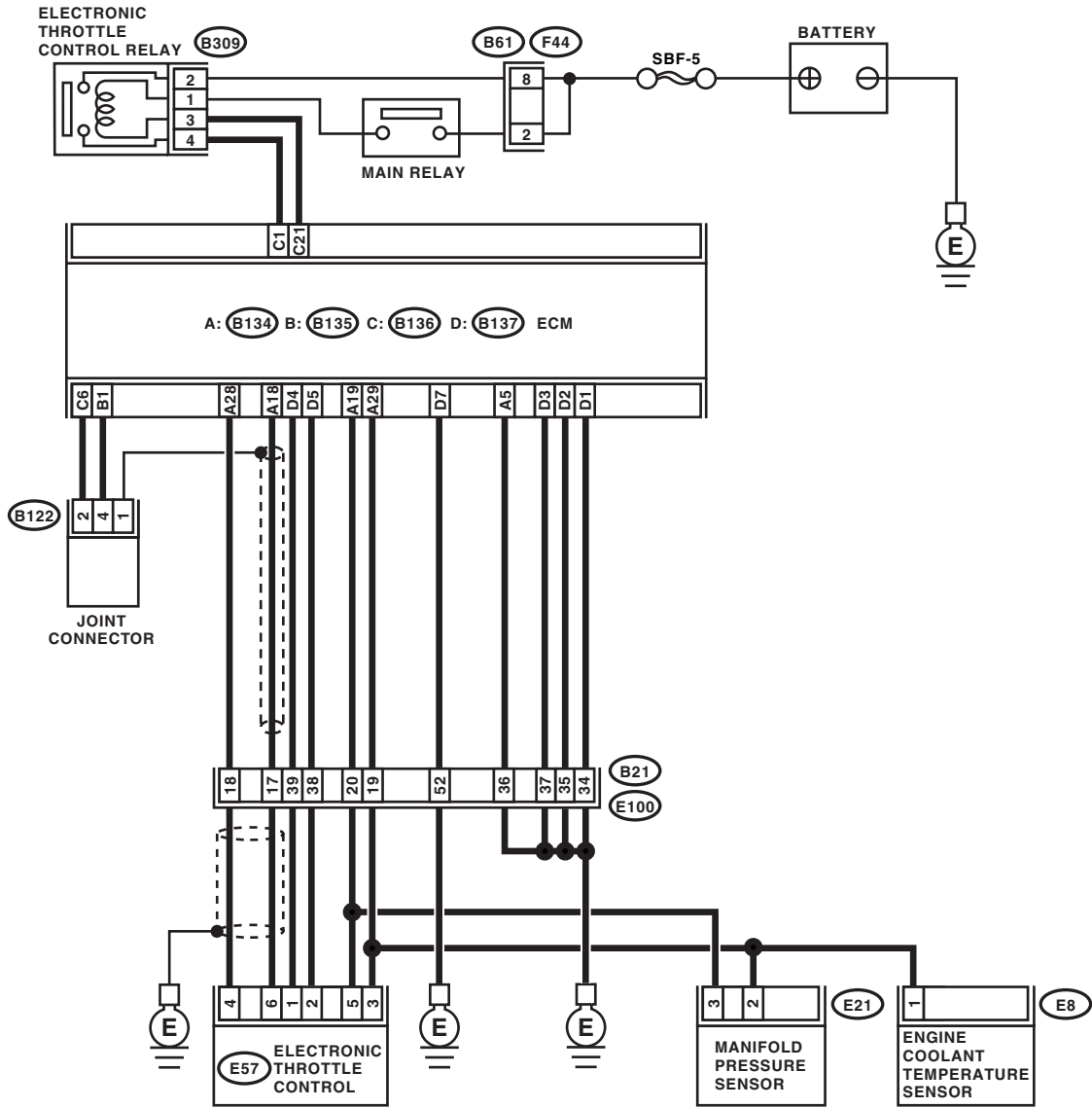
CAUTION:

After repair or replacement of faulty parts, conduct Clear Memory Mode <Ref. to EN(H4SO)(diag)-46, OPERATION, Clear Memory Mode.> and Inspection Mode <Ref. to EN(H4SO)(diag)-36, PROCEDURE, Inspection Mode.>.

Diagnostic Procedure with Diagnostic Trouble Code (DTC)

ENGINE (DIAGNOSTICS)

WIRING DIAGRAM:



EN-04700

Diagnostic Procedure with Diagnostic Trouble Code (DTC)

ENGINE (DIAGNOSTICS)

Step	Check	Yes	No
1 CHECK ELECTRONIC THROTTLE CONTROL RELAY. 1) Turn the ignition switch to OFF. 2) Remove the electronic throttle control relay. 3) Measure the resistance between electronic throttle control relay terminals. <i>Terminals</i> <i>No. 2 — No. 4:</i>	Is the resistance more than 1 M Ω ?	Go to step 2.	Replace the electronic throttle control relay.
2 CHECK SHORT OF ELECTRONIC THROTTLE CONTROL RELAY POWER SUPPLY CIRCUIT. 1) Turn the ignition switch to ON. 2) Measure the voltage between electronic throttle control relay connector and chassis ground. <i>Connector & terminal</i> <i>(B309) No. 4 (+) — Chassis ground (-):</i>	Is the voltage more than 5 V?	Repair the short of power supply to harness between ECM and electronic throttle control relay.	Go to step 3.
3 CHECK HARNESS BETWEEN ECM AND ELECTRONIC THROTTLE CONTROL RELAY. 1) Turn the ignition switch to OFF. 2) Disconnect the connectors from ECM. 3) Measure the resistance between ECM connector and engine ground. <i>Connector & terminal</i> <i>(B136) No. 21 — Engine ground:</i>	Is the resistance more than 1 M Ω ?	Repair the poor contact in ECM connector. If problem persists, replace the ECM. <Ref. to FU(H4SO)-38, Engine Control Module (ECM).>	Repair the ground short of harness between ECM and electronic throttle control relay.

DI: DTC P2109 THROTTLE/PEDAL POSITION SENSOR A MINIMUM STOP PERFORMANCE

NOTE:

For the diagnostic procedure, refer to DTC P2101. <Ref. to EN(H4SO)(diag)-312, DTC P2101 THROTTLE ACTUATOR CONTROL MOTOR CIRCUIT RANGE/PERFORMANCE, Diagnostic Procedure with Diagnostic Trouble Code (DTC).>

Diagnostic Procedure with Diagnostic Trouble Code (DTC)

ENGINE (DIAGNOSTICS)

DJ:DTC P2122 THROTTLE/PEDAL POSITION SENSOR/SWITCH "D" CIRCUIT LOW INPUT

DTC DETECTING CONDITION:

- Immediately at fault recognition
- GENERAL DESCRIPTION <Ref. to GD(H4SO)-188, DTC P2122 THROTTLE/PEDAL POSITION SENSOR/SWITCH "D" CIRCUIT LOW INPUT, Diagnostic Trouble Code (DTC) Detecting Criteria.>

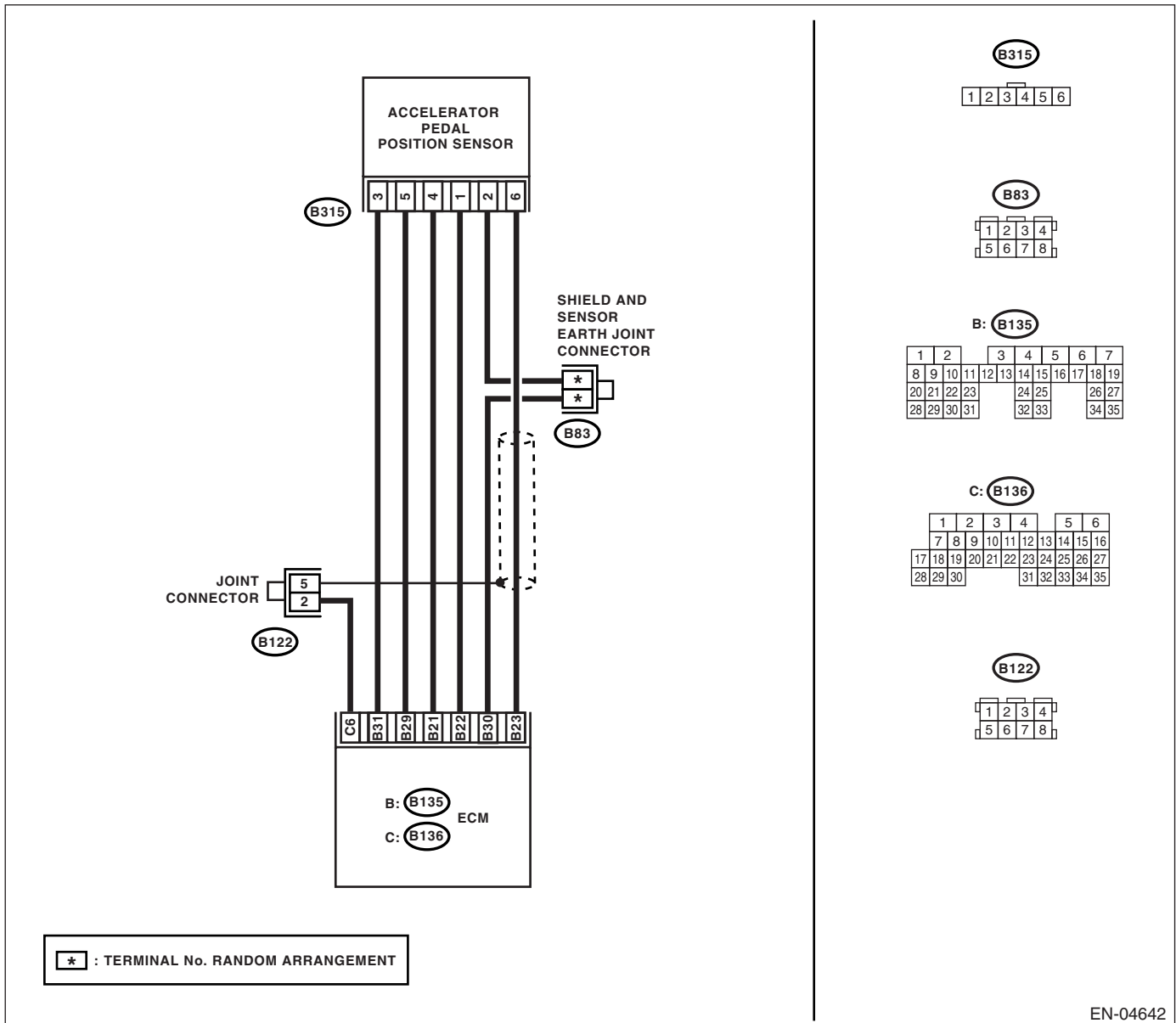
TROUBLE SYMPTOM:

- Erroneous idling
- Poor driving performance

CAUTION:

After repair or replacement of faulty parts, conduct Clear Memory Mode <Ref. to EN(H4SO)(diag)-46, OPERATION, Clear Memory Mode.> and Inspection Mode <Ref. to EN(H4SO)(diag)-36, PROCEDURE, Inspection Mode.>.

WIRING DIAGRAM:



EN-04642

Diagnostic Procedure with Diagnostic Trouble Code (DTC)

ENGINE (DIAGNOSTICS)

Step	Check	Yes	No
1 CHECK OUTPUT VOLTAGE OF ACCELERATOR PEDAL POSITION SENSOR. 1) Turn the ignition switch to ON. 2) Read the data of main accelerator pedal position sensor signal using Subaru Select Monitor.	Is the voltage more than 0.4 V?	Go to step 2.	Go to step 3.
2 CHECK POOR CONTACT IN CONNECTORS. Check poor contact in connectors between ECM and accelerator pedal position sensor.	Is there poor contact in connectors between ECM and accelerator pedal position sensor?	Repair the poor contact in connectors.	Connector has returned to its normal condition at this time. A temporary poor contact of the connector may be the cause.
3 CHECK HARNESS BETWEEN ECM AND ACCELERATOR PEDAL POSITION SENSOR. 1) Turn the ignition switch to OFF. 2) Disconnect the connector from ECM. 3) Disconnect the connector from accelerator pedal position sensor. 4) Measure the resistance between ECM connector and accelerator pedal position sensor. <i>Connector & terminal</i> (B135) No. 21 — (B315) No. 4: (B135) No. 23 — (B315) No. 6:	Is the resistance less than 1 Ω ?	Go to step 4.	Repair the open harness connector.
4 CHECK HARNESS BETWEEN ECM AND ACCELERATOR PEDAL POSITION SENSOR. Measure the resistance between ECM connector and chassis ground. <i>Connector & terminal</i> (B135) No. 21 — Chassis ground: (B135) No. 23 — Chassis ground:	Is the resistance more than 1 M Ω ?	Go to step 5.	Repair the ground short circuit in harness.
5 CHECK HARNESS BETWEEN ECM AND ACCELERATOR PEDAL POSITION SENSOR. 1) Connect the ECM connector. 2) Measure the resistance between accelerator pedal position sensor connector and chassis ground. <i>Connector & terminal</i> (B315) No. 5 — Chassis ground:	Is the resistance less than 5 Ω ?	Go to step 6.	Repair the poor contact in ECM connector. If problem persists, replace the ECM. <Ref. to FU(H4SO)-38, Engine Control Module (ECM).>
6 CHECK ACCELERATOR PEDAL POSITION SENSOR POWER SUPPLY 1) Connect the ECM connector. 2) Turn the ignition switch to ON. 3) Measure the voltage between accelerator pedal position sensor connector and chassis ground. <i>Connector & terminal</i> (B315) No. 4 (+) — Chassis ground (-):	Is the voltage 4.5 — 5.5 V?	Replace the accelerator pedal. <Ref. to SP(H4SO)-3, Accelerator Pedal.>	Repair the poor contact in ECM connector. If problem persists, replace the ECM. <Ref. to FU(H4SO)-38, Engine Control Module (ECM).>

Diagnostic Procedure with Diagnostic Trouble Code (DTC)

ENGINE (DIAGNOSTICS)

DK:DTC P2123 THROTTLE/PEDAL POSITION SENSOR/SWITCH "D" CIRCUIT HIGH INPUT

DTC DETECTING CONDITION:

- Immediately at fault recognition
- GENERAL DESCRIPTION <Ref. to GD(H4SO)-189, DTC P2123 THROTTLE/PEDAL POSITION SENSOR/SWITCH "D" CIRCUIT HIGH INPUT, Diagnostic Trouble Code (DTC) Detecting Criteria.>

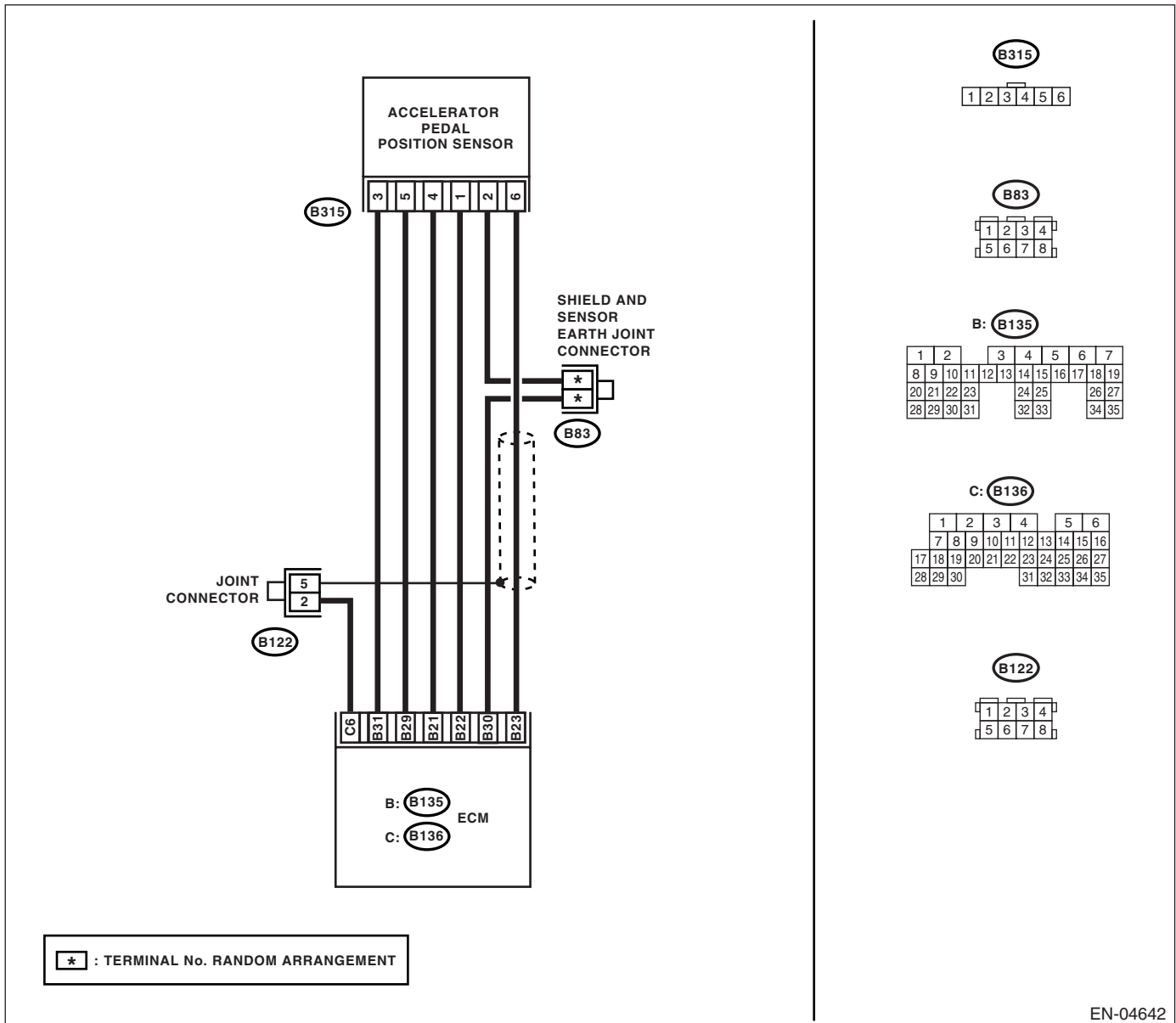
TROUBLE SYMPTOM:

- Erroneous idling
- Poor driving performance

CAUTION:

After repair or replacement of faulty parts, conduct Clear Memory Mode <Ref. to EN(H4SO)(diag)-46, OPERATION, Clear Memory Mode.> and Inspection Mode <Ref. to EN(H4SO)(diag)-36, PROCEDURE, Inspection Mode.>.

WIRING DIAGRAM:



EN-04642

Diagnostic Procedure with Diagnostic Trouble Code (DTC)

ENGINE (DIAGNOSTICS)

Step	Check	Yes	No
1 CHECK OUTPUT VOLTAGE OF ACCELERATOR PEDAL POSITION SENSOR. 1) Turn the ignition switch to ON. 2) Read the data of main accelerator pedal position sensor signals, using Subaru Select Monitor.	Is the voltage less than 4.8 V?	Go to step 2.	Go to step 3.
2 CHECK POOR CONTACT IN CONNECTORS. Check poor contact in connectors between ECM and accelerator pedal position sensor.	Is there any poor contact in connectors between ECM and accelerator pedal position sensor?	Repair the poor contact in connectors.	Connector has returned to its normal condition at this time. A temporary poor contact in the connector might have been the cause.
3 CHECK HARNESS BETWEEN ECM AND ACCELERATOR PEDAL POSITION SENSOR. 1) Turn the ignition switch to OFF. 2) Disconnect the connector from ECM. 3) Disconnect the connector from accelerator pedal position sensor. 4) Measure the resistance between ECM connector and accelerator pedal position sensor. <i>Connector & terminal</i> <i>(B135) No. 21 — (B315) No. 4:</i> <i>(B135) No. 29 — (B315) No. 5:</i> <i>(B135) No. 23 — (B315) No. 6:</i>	Is the resistance less than 1 Ω ?	Go to step 4.	Repair the open circuit and trouble cause of harness connector. If problem persists, replace the ECM. <Ref. to FU(H4SO)-38, Engine Control Module (ECM).>
4 CHECK HARNESS BETWEEN ECM AND ACCELERATOR PEDAL POSITION SENSOR. 1) Connect the ECM connector. 2) Measure the resistance between accelerator pedal position sensor and chassis ground. <i>Connector & terminal</i> <i>(B315) No. 5 — Chassis ground:</i>	Is the resistance less than 5 Ω ?	Go to step 5.	Repair the poor contact in ECM connector. If problem persists, replace the ECM. <Ref. to FU(H4SO)-38, Engine Control Module (ECM).>
5 CHECK ACCELERATOR PEDAL POSITION SENSOR POWER SUPPLY. 1) Turn the ignition switch to ON. 2) Measure the voltage between accelerator pedal position sensor connector and chassis ground. <i>Connector & terminal</i> <i>(B315) No. 4 (+) — Chassis ground (-):</i>	Is the voltage 4.5 — 5.5 V?	Go to step 6.	Repair the short circuit of harness between ECM connector and accelerator pedal position sensor connector. If problem persists, replace the ECM. <Ref. to FU(H4SO)-38, Engine Control Module (ECM).>
6 CHECK HARNESS BETWEEN ECM AND ACCELERATOR PEDAL POSITION SENSOR. 1) Turn the ignition switch to OFF. 2) Connect the accelerator pedal position sensor connector. 3) Turn the ignition switch to ON. 4) Measure the voltage between ECM connector and chassis ground. <i>Connector & terminal</i> <i>(B135) No. 23 (+) — Chassis ground (-):</i>	Is the voltage less than 4.8 V?	Repair the poor contact in connector. If problem persists, replace the ECM. <Ref. to FU(H4SO)-38, Engine Control Module (ECM).>	Repair the poor contact in accelerator pedal position sensor connector. If problem persists, replace the accelerator pedal. <Ref. to SP(H4SO)-3, Accelerator Pedal.>

Diagnostic Procedure with Diagnostic Trouble Code (DTC)

ENGINE (DIAGNOSTICS)

DL:DTC P2127 THROTTLE/PEDAL POSITION SENSOR/SWITCH "E" CIRCUIT LOW INPUT

DTC DETECTING CONDITION:

- Immediately at fault recognition
- GENERAL DESCRIPTION <Ref. to GD(H4SO)-191, DTC P2127 THROTTLE/PEDAL POSITION SENSOR/SWITCH "E" CIRCUIT LOW INPUT, Diagnostic Trouble Code (DTC) Detecting Criteria.>

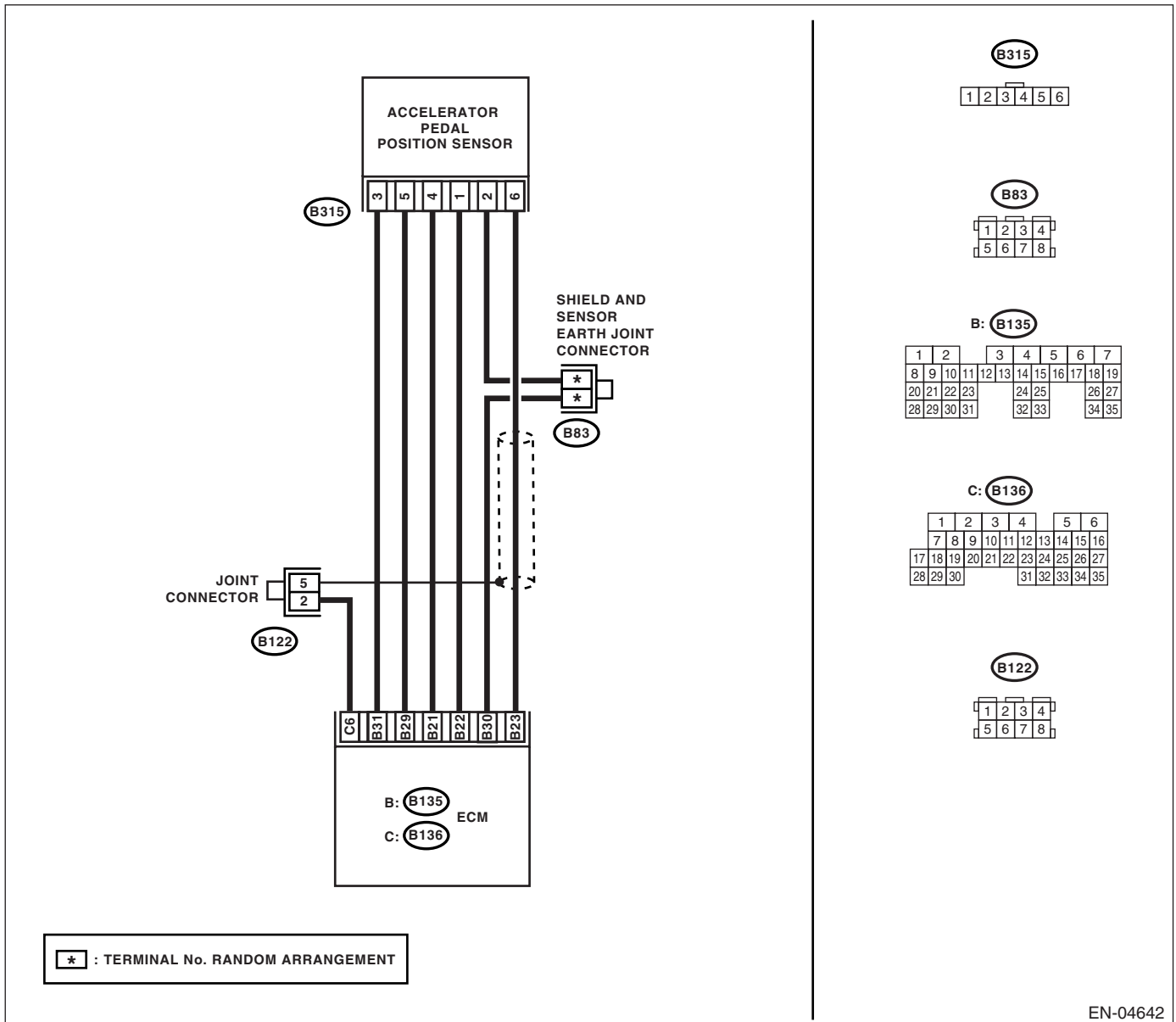
TROUBLE SYMPTOM:

- Erroneous idling
- Poor driving performance

CAUTION:

After repair or replacement of faulty parts, conduct Clear Memory Mode <Ref. to EN(H4SO)(diag)-46, OPERATION, Clear Memory Mode.> and Inspection Mode <Ref. to EN(H4SO)(diag)-36, PROCEDURE, Inspection Mode.>.

WIRING DIAGRAM:



EN-04642

Diagnostic Procedure with Diagnostic Trouble Code (DTC)

ENGINE (DIAGNOSTICS)

Step	Check	Yes	No
1 CHECK OUTPUT VOLTAGE OF ACCELERATOR PEDAL POSITION SENSOR. 1) Turn the ignition switch to ON. 2) Read the data of sub accelerator pedal position sensor signal using Subaru Select Monitor.	Is the voltage more than 0.4 V?	Go to step 2.	Go to step 3.
2 CHECK POOR CONTACT IN CONNECTORS. Check poor contact in connectors between ECM and accelerator pedal position sensor.	Is there any poor contact in connectors between ECM and accelerator pedal position sensor?	Repair the poor contact in connectors.	Connector has returned to its normal condition at this time. A temporary poor contact in the connector might have been the cause.
3 CHECK HARNESS BETWEEN ECM AND ACCELERATOR PEDAL POSITION SENSOR. 1) Turn the ignition switch to OFF. 2) Disconnect the connector from ECM. 3) Disconnect the connector from accelerator pedal position sensor. 4) Measure the resistance between ECM connector and accelerator pedal position sensor. <i>Connector & terminal</i> <i>(B135) No. 22 — (B315) No. 1:</i> <i>(B135) No. 31 — (B315) No. 3:</i>	Is the resistance less than 1 Ω ?	Go to step 4.	Repair the open harness connector.
4 CHECK HARNESS BETWEEN ECM AND ACCELERATOR PEDAL POSITION SENSOR. Measure the resistance between ECM connector and chassis ground. <i>Connector & terminal</i> <i>(B135) No. 22 — Chassis ground:</i> <i>(B135) No. 31 — Chassis ground:</i>	Is the resistance more than 1 M Ω ?	Go to step 5.	Repair the ground short circuit in harness.
5 CHECK HARNESS BETWEEN ECM AND ACCELERATOR PEDAL POSITION SENSOR. 1) Connect the ECM connector. 2) Measure the resistance between accelerator pedal position sensor connector and chassis ground. <i>Connector & terminal</i> <i>(B315) No. 2 — Chassis ground:</i>	Is the resistance less than 5 Ω ?	Go to step 6.	Repair the poor contact in ECM connector. If problem persists, replace the ECM. <Ref. to FU(H4SO)-38, Engine Control Module (ECM).>
6 CHECK POWER SUPPLY TO ACCELERATOR PEDAL POSITION SENSOR. 1) Turn the ignition switch to ON. 2) Measure the voltage between accelerator pedal position sensor connector and chassis ground. <i>Connector & terminal</i> <i>(B315) No. 1 (+) — Chassis ground (-):</i>	Is the voltage 4.5 — 5.5 V?	Replace the accelerator pedal. <Ref. to SP(H4SO)-3, Accelerator Pedal.>	Repair the poor contact in ECM connector. If problem persists, replace the ECM. <Ref. to FU(H4SO)-38, Engine Control Module (ECM).>

Diagnostic Procedure with Diagnostic Trouble Code (DTC)

ENGINE (DIAGNOSTICS)

DM:DTC P2128 THROTTLE/PEDAL POSITION SENSOR/SWITCH "E" CIRCUIT HIGH INPUT

DTC DETECTING CONDITION:

- Immediately at fault recognition
- GENERAL DESCRIPTION <Ref. to GD(H4SO)-192, DTC P2128 THROTTLE/PEDAL POSITION SENSOR/SWITCH "E" CIRCUIT HIGH INPUT, Diagnostic Trouble Code (DTC) Detecting Criteria.>

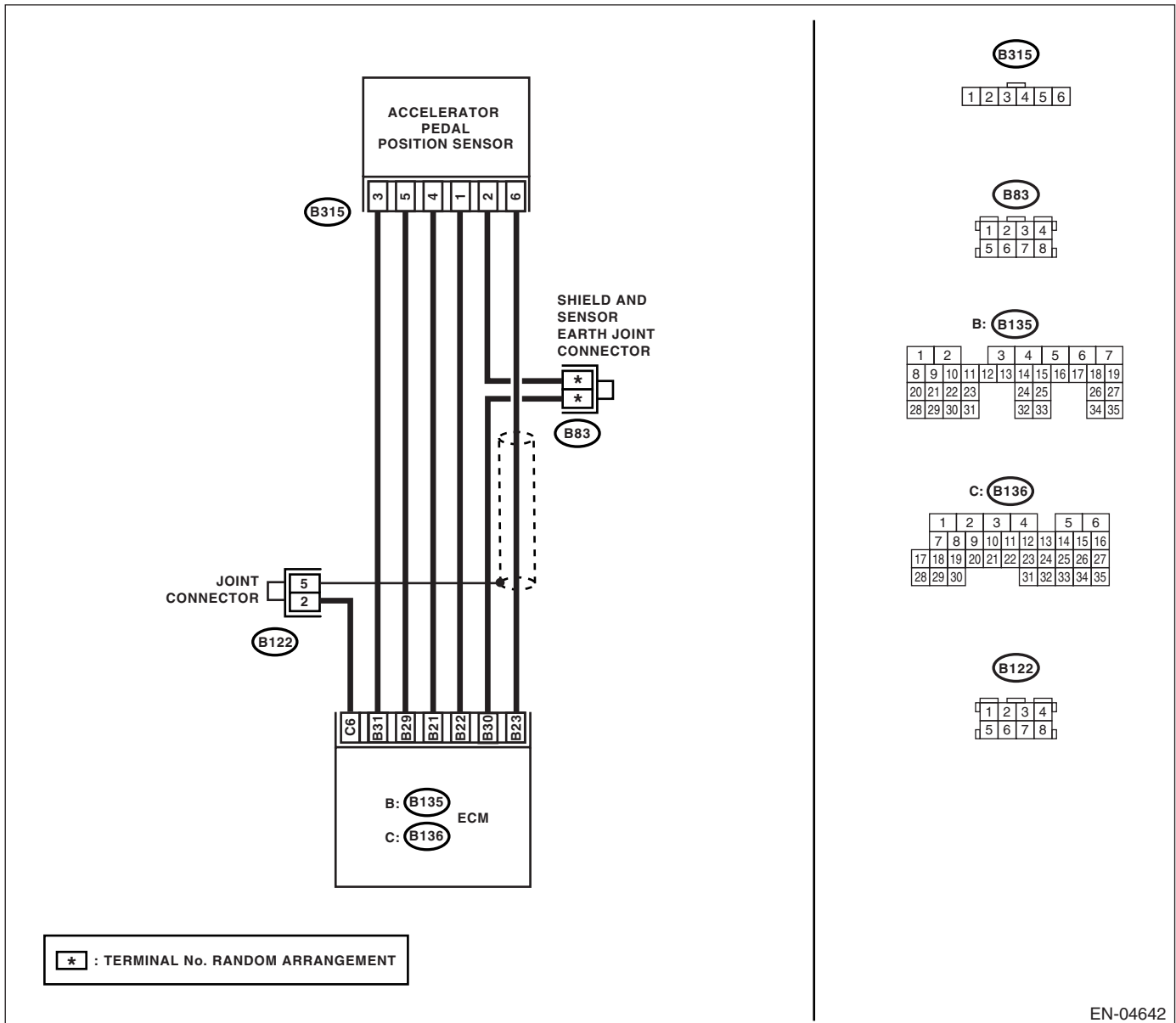
TROUBLE SYMPTOM:

- Erroneous idling
- Poor driving performance

CAUTION:

After repair or replacement of faulty parts, conduct Clear Memory Mode <Ref. to EN(H4SO)(diag)-46, OPERATION, Clear Memory Mode.> and Inspection Mode <Ref. to EN(H4SO)(diag)-36, PROCEDURE, Inspection Mode.>.

WIRING DIAGRAM:



EN-04642

Diagnostic Procedure with Diagnostic Trouble Code (DTC)

ENGINE (DIAGNOSTICS)

Step	Check	Yes	No
1 CHECK OUTPUT VOLTAGE OF ACCELERATOR PEDAL POSITION SENSOR. 1) Turn the ignition switch to ON. 2) Read the data of sub accelerator pedal position sensor signals, using Subaru Select Monitor.	Is the voltage less than 4.8 V?	Go to step 2.	Go to step 3.
2 CHECK POOR CONTACT IN CONNECTORS. Check poor contact in connectors between ECM and accelerator pedal position sensor.	Is there any poor contact in connectors between ECM and accelerator pedal position sensor?	Repair the poor contact in connectors.	Connector has returned to its normal condition at this time. A temporary poor contact in the connector might have been the cause.
3 CHECK HARNESS BETWEEN ECM AND ACCELERATOR PEDAL POSITION SENSOR. 1) Turn the ignition switch to OFF. 2) Disconnect the connector from ECM. 3) Disconnect the connector from accelerator pedal position sensor. 4) Measure the resistance between ECM connector and accelerator pedal position sensor. <i>Connector & terminal</i> <i>(B135) No. 22 — (B315) No. 1:</i> <i>(B135) No. 30 — (B315) No. 2:</i> <i>(B135) No. 31 — (B315) No. 3:</i>	Is the resistance less than 1 Ω ?	Go to step 4.	Repair the open circuit and trouble cause of harness connector. If problem persists, replace the ECM. <Ref. to FU(H4SO)-38, Engine Control Module (ECM).>
4 CHECK HARNESS BETWEEN ECM AND ACCELERATOR PEDAL POSITION SENSOR. 1) Connect the ECM connector. 2) Measure the resistance between accelerator pedal position sensor connector and chassis ground. <i>Connector & terminal</i> <i>(B315) No. 2 — Chassis ground:</i>	Is the resistance less than 5 Ω ?	Go to step 5.	Repair the poor contact in ECM connector. If problem persists, replace the ECM. <Ref. to FU(H4SO)-38, Engine Control Module (ECM).>
5 CHECK ACCELERATOR PEDAL POSITION SENSOR POWER SUPPLY. 1) Turn the ignition switch to ON. 2) Measure the voltage between accelerator pedal position sensor connector and chassis ground. <i>Connector & terminal</i> <i>(B315) No. 1 (+) — Chassis ground (-):</i>	Is the voltage 4.5 — 5.5 V?	Go to step 6.	Repair the short circuit of harness between ECM connector and accelerator pedal position sensor connector. Repair the poor contact in ECM connector. If problem persists, replace the ECM. <Ref. to FU(H4SO)-38, Engine Control Module (ECM).>

Diagnostic Procedure with Diagnostic Trouble Code (DTC)

ENGINE (DIAGNOSTICS)

Step	Check	Yes	No
6 CHECK HARNESS BETWEEN ECM AND ACCELERATOR PEDAL POSITION SENSOR. 1) Turn the ignition switch to OFF. 2) Connect the accelerator pedal position sensor connector. 3) Turn the ignition switch to ON. 4) Measure the voltage between ECM connector and chassis ground. <i>Connector & terminal</i> <i>(B135) No. 31 (+) — Chassis ground (-):</i>	Is the voltage less than 4.8 V?	Repair the poor contact in connector. If problem persists, replace the ECM. <Ref. to FU(H4SO)-38, Engine Control Module (ECM).>	Repair the poor contact in accelerator pedal position sensor connector. If problem persists, replace the accelerator pedal. <Ref. to SP(H4SO)-3, Accelerator Pedal.>

DN:DTC P2135 THROTTLE/PEDAL POSITION SENSOR/SWITCH “A”/“B” VOLTAGE RATIONALITY

DTC DETECTING CONDITION:

- Immediately at fault recognition
- GENERAL DESCRIPTION <Ref. to GD(H4SO)-193, DTC P2135 THROTTLE/PEDAL POSITION SENSOR/SWITCH “A” / “B” VOLTAGE RATIONALITY, Diagnostic Trouble Code (DTC) Detecting Criteria.>

TROUBLE SYMPTOM:

- Erroneous idling
- Poor driving performance

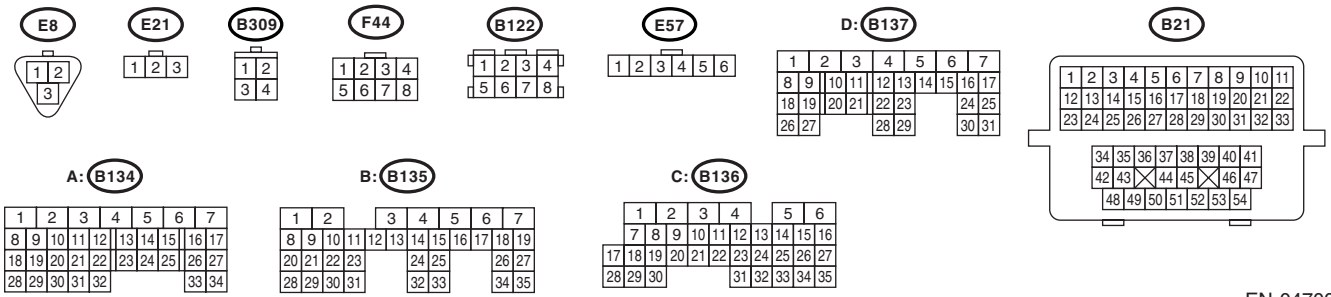
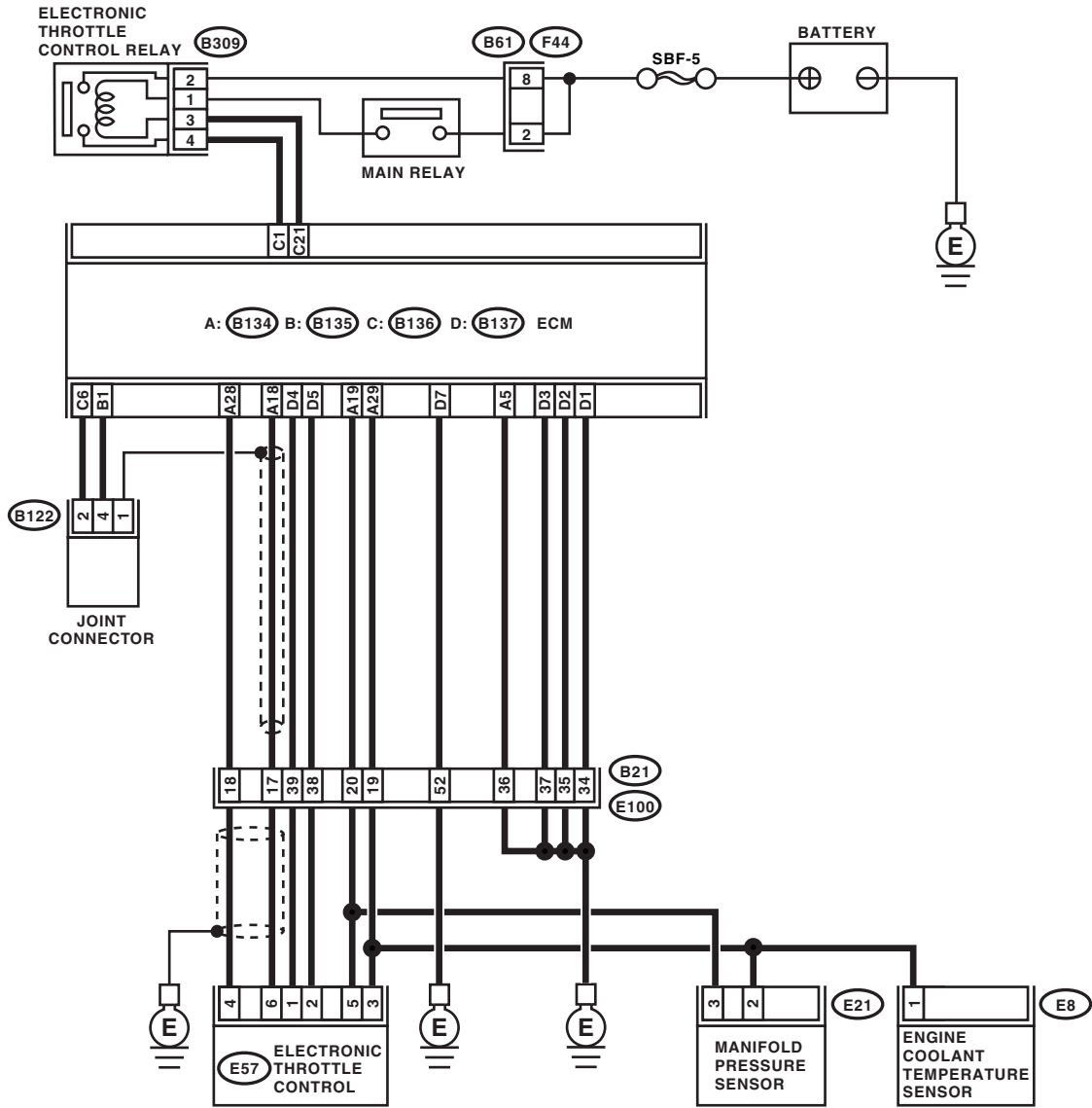
CAUTION:

After repair or replacement of faulty parts, conduct Clear Memory Mode <Ref. to EN(H4SO)(diag)-46, OPERATION, Clear Memory Mode.> and Inspection Mode <Ref. to EN(H4SO)(diag)-36, PROCEDURE, Inspection Mode.>.

Diagnostic Procedure with Diagnostic Trouble Code (DTC)

ENGINE (DIAGNOSTICS)

WIRING DIAGRAM:



EN-04700

Diagnostic Procedure with Diagnostic Trouble Code (DTC)

ENGINE (DIAGNOSTICS)

Step	Check	Yes	No
1 CHECK SENSOR OUTPUT. 1) Turn the ignition switch to ON. 2) Read the data of main throttle sensor signal, using Subaru Select Monitor.	Is the measured value more than 0.4 V?	Go to step 2.	Go to step 4.
2 CHECK SENSOR OUTPUT. Read the data of sub throttle sensor signal, using Subaru Select Monitor.	Is the measured value more than 0.8 V?	Go to step 3.	Go to step 4.
3 CHECK POOR CONTACT IN CONNECTORS. Check poor contact in connectors between ECM and electronic throttle control.	Is there any poor contact in connectors between ECM and electronic throttle control?	Repair the poor contact in connectors.	Go to step 14.
4 CHECK HARNESS BETWEEN ECM AND ELECTRONIC THROTTLE CONTROL. 1) Turn the ignition switch to OFF. 2) Disconnect the connector from ECM. 3) Disconnect the connector from electronic throttle control. 4) Measure the resistance between ECM connector and electronic throttle control connector. <i>Connector & terminal</i> <i>(B134) No. 18 — (E57) No. 6:</i> <i>(B134) No. 28 — (E57) No. 4:</i>	Is the measured value less than 1 Ω ?	Go to step 5.	Repair the open harness connector.
5 CHECK HARNESS BETWEEN ECM AND ELECTRONIC THROTTLE CONTROL. Measure the resistance between ECM connector and chassis ground. <i>Connector & terminal</i> <i>(B134) No. 18 — Chassis ground:</i> <i>(B134) No. 28 — Chassis ground:</i>	Is the resistance more than 1 M Ω ?	Go to step 6.	Repair the ground short of harness.
6 CHECK POWER SUPPLY TO SENSOR. 1) Connect the ECM connector. 2) Turn the ignition switch to ON. 3) Measure the voltage between electronic throttle control connector and engine ground. <i>Connector & terminal</i> <i>(E57) No. 5 (+) — Engine ground (-):</i>	Is the measured value within 4.5 to 5.5 V?	Go to step 7.	Repair the poor contact in ECM connector. If problem persists, replace the ECM. <Ref. to FU(H4SO)-38, Engine Control Module (ECM).>
7 CHECK SHORT OF ECM. 1) Turn the ignition switch to OFF. 2) Measure the resistance between electronic throttle control connector and engine ground. <i>Connector & terminal</i> <i>(E57) No. 6 — Engine ground:</i> <i>(E57) No. 4 — Engine ground:</i>	Is the measured value more than 10 Ω ?	Go to step 8.	Repair the poor contact in ECM connector. If problem persists, replace the ECM. <Ref. to FU(H4SO)-38, Engine Control Module (ECM).>
8 CHECK SENSOR OUTPUT. 1) Connect all the connectors. 2) Turn the ignition switch to ON. 3) Read the data of main throttle sensor signals, using Subaru Select Monitors.	Is the measured value less than 4.63 V?	Go to step 9.	Go to step 11.
9 CHECK SENSOR OUTPUT. Read the data of sub throttle sensor signals, using Subaru Select Monitors.	Is the measured value less than 4.73 V?	Go to step 10.	Go to step 11.

Diagnostic Procedure with Diagnostic Trouble Code (DTC)

ENGINE (DIAGNOSTICS)

Step	Check	Yes	No
10 CHECK POOR CONTACT IN CONNECTORS. Check poor contact in connectors between ECM and electronic throttle control.	Is there any poor contact in connectors between ECM and electronic throttle control?	Repair the poor contact in connectors.	Connector has returned to a normal condition at this time. A temporary poor contact in the connector might have been the cause.
11 CHECK HARNESS BETWEEN ECM AND ELECTRONIC THROTTLE CONTROL. 1) Turn the ignition switch to OFF. 2) Disconnect the connector from ECM. 3) Disconnect the connector from electronic throttle control. 4) Measure the resistance between ECM connector and electronic throttle control connector. <i>Connector & terminal</i> <i>(B134) No. 18 — (E57) No. 6:</i> <i>(B134) No. 28 — (E57) No. 4:</i>	Is the measured value less than 1 Ω ?	Go to step 12.	Repair the open harness connector.
12 CHECK HARNESS BETWEEN ECM AND ELECTRONIC THROTTLE CONTROL. 1) Connect the ECM connector. 2) Measure the resistance between electronic throttle control connector and engine ground. <i>Connector & terminal</i> <i>(E57) No. 3 — Engine ground:</i>	Is the measured value less than 5 Ω ?	Go to step 13.	Repair the poor contact in ECM connector. If problem persists, replace the ECM. <Ref. to FU(H4SO)-38, Engine Control Module (ECM).>
13 CHECK HARNESS BETWEEN ECM AND ELECTRONIC THROTTLE CONTROL. 1) Connect the ECM connector. 2) Turn the ignition switch to ON. 3) Measure the voltage between electronic throttle control connector and engine ground. <i>Connector & terminal</i> <i>(E57) No. 5 (+) — Engine ground (-):</i>	Is the measured value more than 10 V?	Go to step 14.	Repair the battery short of harness between ECM connector and electronic throttle control connector.
14 CHECK HARNESS BETWEEN ECM AND ELECTRONIC THROTTLE CONTROL. Measure the voltage between electronic throttle control connector and engine ground. <i>Connector & terminal</i> <i>(E57) No. 6 (+) — Engine ground (-):</i> <i>(E57) No. 4 (+) — Engine ground (-):</i>	Is the measured value less than 10 V?	Go to step 15.	Repair the short of harness between ECM connector and electronic throttle control connector.
15 CHECK HARNESS BETWEEN ECM AND ELECTRONIC THROTTLE CONTROL. 1) Turn the ignition switch to OFF. 2) Disconnect the electronic throttle control connector. 3) Measure the resistance between ECM connectors. <i>Connector & terminal</i> <i>(B134) No. 18 — (B134) No. 19:</i> <i>(B134) No. 28 — (B134) No. 19:</i>	Is the measured value more than 1 M Ω ?	Go to step 16.	Repair the short of power supply sensor.

Diagnostic Procedure with Diagnostic Trouble Code (DTC)

ENGINE (DIAGNOSTICS)

Step	Check	Yes	No
16 CHECK ELECTRONIC THROTTLE CONTROL HARNESS. 1) Disconnect the connector from ECM. 2) Disconnect the connector from electronic throttle control. 3) Measure the resistance between electronic throttle control connector terminals. Connector & terminal (E57) No. 6 — (E57) No. 4:	Is the measured value more than 1 MΩ?	Repair the poor contact in ECM connector. If problem persists, replace the ECM. <Ref. to FU(H4SO)-38, Engine Control Module (ECM).>	Repair the short of harness.

DO:DTC P2138 THROTTLE/PEDAL POSITION SENSOR/SWITCH “D”/“E” VOLTAGE RATIONALITY

DTC DETECTING CONDITION:

- Immediately at fault recognition
- GENERAL DESCRIPTION <Ref. to GD(H4SO)-195, DTC P2138 THROTTLE/PEDAL POSITION SENSOR/SWITCH “D” / “E” VOLTAGE RATIONALITY, Diagnostic Trouble Code (DTC) Detecting Criteria.>

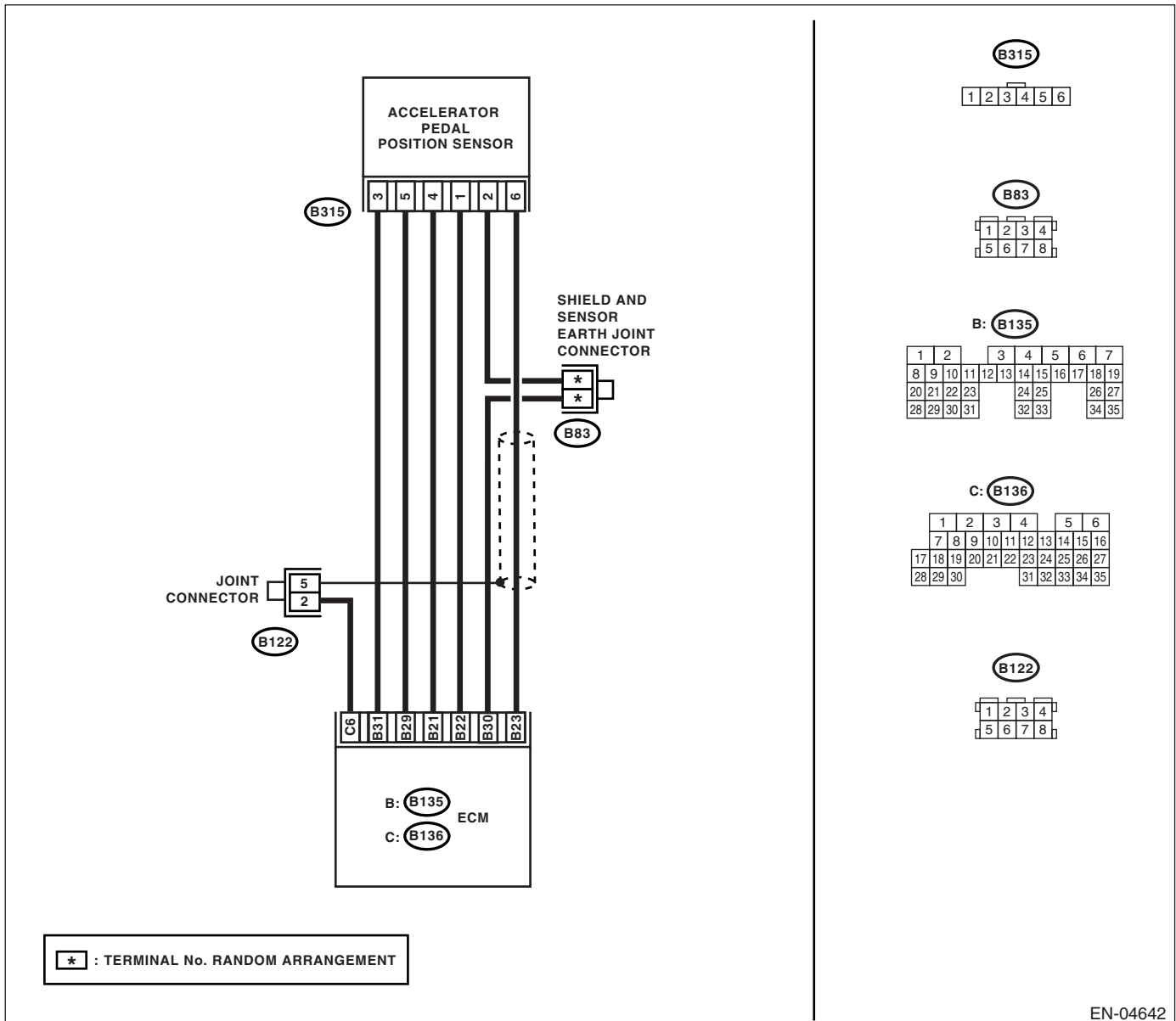
TROUBLE SYMPTOM:

- Erroneous idling
- Poor driving performance

CAUTION:

After repair or replacement of faulty parts, conduct Clear Memory Mode <Ref. to EN(H4SO)(diag)-46, OPERATION, Clear Memory Mode.> and Inspection Mode <Ref. to EN(H4SO)(diag)-36, PROCEDURE, Inspection Mode.>.

WIRING DIAGRAM:



Diagnostic Procedure with Diagnostic Trouble Code (DTC)

ENGINE (DIAGNOSTICS)

Step	Check	Yes	No
1 CHECK OUTPUT VOLTAGE OF ACCELERATOR PEDAL POSITION SENSOR. 1) Turn the ignition switch to ON. 2) Read the data of main and sub accelerator pedal position sensor signals using Subaru Select Monitor. NOTE: Subaru Select Monitor For detailed operation procedure, refer to the "READ CURRENT DATA FOR ENGINE". <Ref. to EN(H4SO)(diag)-28, Subaru Select Monitor.>	Is the measured value more than 0.4 V?	Go to step 2.	Go to step 4.
2 CHECK OUTPUT VOLTAGE OF ACCELERATOR PEDAL POSITION SENSOR. Read the data of main accelerator pedal position sensor signals and sub accelerator pedal position sensor signals, using Subaru Select Monitor. NOTE: Subaru Select Monitor For detailed operation procedure, refer to the "READ CURRENT DATA FOR ENGINE". <Ref. to EN(H4SO)(diag)-28, Subaru Select Monitor.>	Is the measured value less than 4.8 V?	Go to step 3.	Go to step 4.
3 CHECK POOR CONTACT IN CONNECTORS. Check poor contact in connectors between ECM and accelerator pedal position sensor.	Is there any poor contact in connectors between ECM and accelerator pedal position sensor?	Repair the poor contact in connectors.	Connector has returned to its normal condition at this time. A temporary poor contact in the connector might have been the cause.
4 CHECK HARNESS BETWEEN ECM AND ACCELERATOR PEDAL POSITION SENSOR. 1) Turn the ignition switch to OFF. 2) Disconnect the connector from ECM. 3) Disconnect the connector from accelerator pedal position sensor. 4) Measure the resistance between ECM connector and accelerator pedal position sensor connector. Connector & terminal (B135) No. 21 — (B315) No. 4: (B135) No. 22 — (B315) No. 1: (B135) No. 23 — (B315) No. 6: (B135) No. 29 — (B315) No. 5: (B135) No. 30 — (B315) No. 2: (B135) No. 31 — (B315) No. 3:	Is the measured value less than 1 Ω?	Go to step 5.	Repair the open harness connector.
5 CHECK HARNESS BETWEEN ECM AND ACCELERATOR PEDAL POSITION SENSOR. Measure the resistance between ECM connector and chassis ground. Connector & terminal (B135) No. 21 — Chassis ground: (B135) No. 22 — Chassis ground: (B135) No. 23 — Chassis ground: (B135) No. 31 — Chassis ground:	Is the measured value more than 1 MΩ?	Go to step 6.	Repair the ground short of harness.

Diagnostic Procedure with Diagnostic Trouble Code (DTC)

ENGINE (DIAGNOSTICS)

Step	Check	Yes	No
<p>6</p> <p>CHECK HARNESS BETWEEN ECM AND ACCELERATOR PEDAL POSITION SENSOR.</p> <p>1) Connect the ECM connector. 2) Measure the resistance between accelerator pedal position sensor and chassis ground.</p> <p>Connector & terminal (B315) No. 2 — Chassis ground: (B315) No. 5 — Chassis ground:</p>	<p>Is the measured value less than 5 Ω?</p>	<p>Go to step 7.</p>	<p>Repair the poor contact in ECM connector. If problem persists, replace the ECM. <Ref. to FU(H4SO)-38, Engine Control Module (ECM).></p>
<p>7</p> <p>CHECK POWER SUPPLY TO ACCELERATOR PEDAL POSITION SENSOR.</p> <p>1) Turn the ignition switch to ON. 2) Measure the voltage between accelerator pedal position sensor connector and chassis ground.</p> <p>Connector & terminal (B315) No. 4 (+) — Chassis ground (-): (B315) No. 1 (+) — Chassis ground (-):</p>	<p>Is the measured value within 4.5 to 5.5 V?</p>	<p>Go to step 8.</p>	<p>Repair the poor contact in ECM connector. If problem persists, replace the ECM. <Ref. to FU(H4SO)-38, Engine Control Module (ECM).></p>
<p>8</p> <p>CHECK HARNESS BETWEEN ECM AND ACCELERATOR PEDAL POSITION SENSOR.</p> <p>1) Turn the ignition switch to OFF. 2) Connect the accelerator pedal position sensor connector. 3) Turn the ignition switch to ON. 4) Measure the voltage between ECM connector and chassis ground.</p> <p>Connector & terminal (B135) No. 23 (+) — Chassis ground (-): (B135) No. 31 (+) — Chassis ground (-):</p>	<p>Is the measured value less than 4.8 V?</p>	<p>Go to step 9.</p>	<p>Repair the poor contact in accelerator pedal position sensor connector. If problem persists, replace the accelerator pedal. <Ref. to SP(H4SO)-3, Accelerator Pedal.></p>
<p>9</p> <p>CHECK HARNESS BETWEEN ECM AND ACCELERATOR PEDAL POSITION SENSOR.</p> <p>1) Turn the ignition switch to OFF. 2) Disconnect the connector from ECM. 3) Disconnect the connector from accelerator pedal position sensor. 4) Measure the resistance between terminals of accelerator pedal position sensor connector.</p> <p>Connector & terminal (B315) No. 6 — (B315) No. 3:</p>	<p>Is the measured value more than 1 MΩ?</p>	<p>Repair the poor contact in ECM connector. If problem persists, replace the ECM. <Ref. to FU(H4SO)-38, Engine Control Module (ECM).></p>	<p>Repair the short of harness between ECM connector and accelerator pedal position sensor connector.</p>

Diagnostic Procedure with Diagnostic Trouble Code (DTC)

ENGINE (DIAGNOSTICS)

DP:DTC P2227 BAROMETRIC PRESSURE TOO LOW

DTC DETECTING CONDITION:

- Two consecutive driving cycles with fault
- GENERAL DESCRIPTION <Ref. to GD(H4SO)-197, DTC P2227 BAROMETRIC PRESSURE TOO LOW, Diagnostic Trouble Code (DTC) Detecting Criteria.>

CAUTION:

After repair or replacement of faulty parts, conduct Clear Memory Mode <Ref. to EN(H4SO)(diag)-46, OPERATION, Clear Memory Mode.> and Inspection Mode <Ref. to EN(H4SO)(diag)-36, PROCEDURE, Inspection Mode.>.

Step	Check	Yes	No
1 CHECK ANY OTHER DTC ON DISPLAY.	Is any other DTC displayed?	Check DTC using "List of Diagnostic Trouble Code (DTC)". <Ref. to EN(H4SO)(diag)-73, List of Diagnostic Trouble Code (DTC).>	Replace the ECM. <Ref. to FU(H4SO)-38, Engine Control Module (ECM).>

DQ:DTC P2228 ATMOSPHERIC PRESSURE SENSOR CIRCUIT MALFUNCTION (LOW INPUT)

DTC DETECTING CONDITION:

- Immediately at fault recognition
- GENERAL DESCRIPTION <Ref. to GD(H4SO)-198, DTC P2228 ATMOSPHERIC PRESSURE SENSOR CIRCUIT MALFUNCTION (LOW INPUT), Diagnostic Trouble Code (DTC) Detecting Criteria.>

CAUTION:

After repair or replacement of faulty parts, conduct Clear Memory Mode <Ref. to EN(H4SO)(diag)-46, OPERATION, Clear Memory Mode.> and Inspection Mode <Ref. to EN(H4SO)(diag)-36, PROCEDURE, Inspection Mode.>.

Step	Check	Yes	No
1 CHECK ANY OTHER DTC ON DISPLAY.	Is any other DTC displayed?	Check DTC using the List of Diagnostic Trouble Code (DTC). <Ref. to EN(H4SO)(diag)-73, List of Diagnostic Trouble Code (DTC).> NOTE: It is not necessary to inspect DTC P2228.	Replace the ECM. <Ref. to FU(H4SO)-38, Engine Control Module (ECM).>

Diagnostic Procedure with Diagnostic Trouble Code (DTC)

ENGINE (DIAGNOSTICS)

DR:DTC P2229 ATMOSPHERIC PRESSURE SENSOR CIRCUIT MALFUNCTION (HIGH INPUT)

DTC DETECTING CONDITION:

- Immediately at fault recognition
- GENERAL DESCRIPTION <Ref. to GD(H4SO)-199, DTC P2229 ATMOSPHERIC PRESSURE SENSOR CIRCUIT MALFUNCTION (HIGH INPUT), Diagnostic Trouble Code (DTC) Detecting Criteria.>

CAUTION:

After repair or replacement of faulty parts, conduct Clear Memory Mode <Ref. to EN(H4SO)(diag)-46, OPERATION, Clear Memory Mode.> and Inspection Mode <Ref. to EN(H4SO)(diag)-36, PROCEDURE, Inspection Mode.>.

Step	Check	Yes	No
1 CHECK ANY OTHER DTC ON DISPLAY.	Is any other DTC displayed?	Check DTC using the List of Diagnostic Trouble Code (DTC). <Ref. to EN(H4SO)(diag)-73, List of Diagnostic Trouble Code (DTC).> NOTE: It is not necessary to inspect DTC P2229.	Replace the ECM. <Ref. to FU(H4SO)-38, Engine Control Module (ECM).>

General Diagnostic Table

ENGINE (DIAGNOSTICS)

19. General Diagnostic Table

A: INSPECTION

1. ENGINE

NOTE:

Malfunction of parts other than those listed is also possible. <Ref. to ME(H4SO)-91, Engine Trouble in General.>

Symptom	Problem parts
1. Engine stalls during idling.	1) Manifold absolute pressure sensor 2) Mass air flow and intake air temperature sensor 3) Ignition parts (*1) 4) Engine coolant temperature sensor (*2) 5) Crankshaft position sensor (*3) 6) Camshaft position sensor (*3) 7) Fuel injection parts (*4)
2. Rough idling	1) Manifold absolute pressure sensor 2) Mass air flow and intake air temperature sensor 3) Engine coolant temperature sensor (*2) 4) Ignition parts (*1) 5) Air intake system (*5) 6) Fuel injection parts (*4) 7) Electronic throttle control 8) Crankshaft position sensor (*3) 9) Camshaft position sensor (*3) 10) Oxygen sensor 11) Fuel pump and fuel pump relay 12) EGR valve
3. Engine does not return to idle.	1) Engine coolant temperature sensor 2) Throttle position sensor 3) Manifold absolute pressure sensor 4) Mass air flow and intake air temperature sensor 5) EGR valve
4. Poor acceleration	1) Manifold absolute pressure sensor 2) Mass air flow and intake air temperature sensor 3) Electronic throttle control 4) Fuel injection parts (*4) 5) Fuel pump and fuel pump relay 6) Engine coolant temperature sensor (*2) 7) Crankshaft position sensor (*3) 8) Camshaft position sensor (*3) 9) A/C switch and A/C cut relay 10) Engine torque control signal circuit 11) Ignition parts (*1) 12) EGR valve 13) Tumble generator valve
5. Engine stalls or engine sags or hesitates at acceleration.	1) Manifold absolute pressure sensor 2) Mass air flow and intake air temperature sensor 3) Engine coolant temperature sensor (*2) 4) Crankshaft position sensor (*3) 5) Camshaft position sensor (*3) 6) Purge control solenoid valve 7) Fuel injection parts (*4) 8) Electronic throttle control 9) Fuel pump and fuel pump relay 10) EGR valve 11) Tumble generator valve

General Diagnostic Table

ENGINE (DIAGNOSTICS)

Symptom	Problem parts
6. Surge	1) Mass air flow and intake air temperature sensor 2) Manifold absolute pressure sensor 3) Engine coolant temperature sensor (*2) 4) Crankshaft position sensor (*3) 5) Camshaft position sensor (*3) 6) Fuel injection parts (*4) 7) Electronic throttle control 8) Fuel pump and fuel pump relay 9) EGR valve 10) Tumble generator valve
7. Spark knock	1) Mass air flow and intake air temperature sensor 2) Manifold absolute pressure sensor 3) Engine coolant temperature sensor 4) Knock sensor 5) Fuel injection parts (*4) 6) Fuel pump and fuel pump relay 7) EGR valve 8) Tumble generator valve
8. After burning in exhaust system	1) Mass air flow and intake air temperature sensor 2) Manifold absolute pressure sensor 3) Engine coolant temperature sensor (*2) 4) Fuel injection parts (*4) 5) Fuel pump and fuel pump relay

*1: Check ignition coil and ignitor assembly and spark plug.

*2: Indicate the symptom occurring only in cold temperatures.

*3: Ensure the secure installation.

*4: Check fuel injector, fuel pressure regulator and fuel filter.

*5: Inspect air leak in air intake system.

2. AUTOMATIC TRANSMISSION

NOTE:

Check general diagnostics table with non-conformity symptom for automatic transmission. <Ref. to 4AT(D)(diag)-2, Basic Diagnostic Procedure.>

General Diagnostic Table

ENGINE (DIAGNOSTICS)
