

# **MECHANICAL**

# General Description

MECHANICAL

## 1. General Description

### A: SPECIFICATION

	Model		2.5 L	
Engine	Cylinder arrangement		Horizontally opposed, liquid cooled, 4-cylinder, 4-stroke gasoline engine	
	Valve system mechanism		Belt driven, single over-head camshaft, 4-valve/cylinder	
	Bore × Stroke		mm (in) 99.5 × 79.0 (3.917 × 3.110)	
	Displacement		cm <sup>3</sup> (cu in) 2,457 (150)	
	Compression ratio		10.0	
	Compression pressure (at 350 rpm)		kPa (kgf/cm <sup>2</sup> , psi) 1,020 — 1,275 (10.4 — 13.0, 148 — 185)	
	Number of piston rings		Pressure ring: 2, Oil ring: 1	
	Intake valve timing	Fixed	Open	BTDC 0°
			Close	ABDC 58°
		Low speed	Open	BTDC 0°
			Close	ABDC -50°
		High speed	Open	BTDC 14°
			Close	ABDC 62°
	Exhaust valve timing		Open	BBDC 54°
			Close	ATDC 14°
Valve clearance		mm (in) Intake	0.20±0.04 (0.0079±0.0016)	
		Exhaust	0.25±0.04 (0.0098±0.0016)	
Idle speed [at neutral position on MT, or "P" or "N" range on AT]		rpm MT	650±100 (No load) 850±100 (A/C ON)	
		AT	700±100 (No load) 850±100 (A/C ON)	
Ignition order			1 → 3 → 2 → 4	
Ignition timing		BTDC/rpm MT	10°±8°/650	
		AT	15°±8°/700	

**NOTE:**

US: undersize OS: oversize

Belt tension adjuster	Protrusion of adjuster rod		mm (in)	5.2 — 6.2 (0.205 — 0.244)		
Belt tensioner	Spacer O.D.		mm (in)	17.955 — 17.975 (0.7069 — 0.7077)		
	Tensioner bushing I.D.		mm (in)	18.00 — 18.08 (0.7087 — 0.7118)		
	Clearance between spacer and bushing	mm (in)	Standard	0.025 — 0.125 (0.0010 — 0.0049)		
			Limit	0.175 (0.069)		
	Side clearance of spacer	mm (in)	Standard	0.20 — 0.55 (0.0079 — 0.0217)		
Limit			0.81 (0.0319)			
Valve rocker arm	Clearance between shaft and arm	mm (in)	Intake	Fixed	Standard	0.020 — 0.054 (0.0008 — 0.0021)
				Limit	0.10 (0.0039)	
			Low speed	Standard	0.010 — 0.038 (0.0004 — 0.0015)	
				Limit	0.10 (0.0039)	
			High speed	Standard	0.010 — 0.038 (0.0004 — 0.0015)	
				Limit	0.10 (0.0039)	
Exhaust		Standard	0.020 — 0.054 (0.0008 — 0.0021)			
		Limit	0.10 (0.0039)			

# General Description

MECHANICAL

Camshaft	Bend limit		mm (in)	0.025 (0.0010)			
	Thrust clearance		mm (in)	Standard	0.030 — 0.090 (0.0012 — 0.0035)		
				Limit	0.10 (0.0039)		
	Cam lobe height		mm (in)	Intake	Fixed	Standard	40.075 — 40.175 (1.5778 — 1.5817)
					Limit	39.975 (1.5738)	
				Low speed	Standard	35.182 — 35.282 (1.3851 — 1.3891)	
					Limit	35.082 (1.3812)	
				High speed	Standard	40.315 — 40.415 (1.5872 — 1.5911)	
					Limit	40.215 (1.5833)	
	Exhaust		Standard	40.149 — 40.249 (1.5807 — 1.5846)			
			Limit	40.049 (1.5767)			
Camshaft journal O.D.		mm (in)	31.928 — 31.945 (1.2570 — 1.2577)				
Camshaft journal hole I.D.		mm (in)	32.000 — 32.018 (1.2598 — 1.2605)				
Oil clearance		mm (in)	Standard	0.055 — 0.090 (0.0022 — 0.0035)			
			Limit	0.10 (0.0039)			
Cylinder head	Surface warping limit: (mating with cylinder block)		mm (in)	0.03 (0.001)			
	Grinding limit		mm (in)	0.1 (0.004)			
	Standard height		mm (in)	97.5 (3.84)			
Valve seat	Refacing angle			90°			
	Contacting width		Intake	Standard	0.8 — 1.4 (0.03 — 0.055)		
				Limit	1.7 (0.067)		
			Exhaust	Standard	1.2 — 1.8 (0.047 — 0.071)		
				Limit	2.2 (0.087)		
Valve guide	Inside diameter		mm (in)	6.000 — 6.012 (0.2362 — 0.2367)			
	Protrusion above head		mm (in)	Intake	20.0 — 21.0 (0.787 — 0.827)		
				Exhaust	16.5 — 17.5 (0.650 — 0.689)		
Valve	Head edge thickness		mm (in)	Intake	Standard	0.8 — 1.2 (0.03 — 0.047)	
					Limit	0.6 (0.024)	
				Exhaust	Standard	1.0 — 1.4 (0.039 — 0.055)	
					Limit	0.6 (0.024)	
	Stem outer diameters		mm (in)	Intake	5.950 — 5.965 (0.2343 — 0.2348)		
				Exhaust	5.945 — 5.960 (0.2341 — 0.2346)		
	Valve stem gap		mm (in)	Standard	Intake	0.035 — 0.062 (0.0014 — 0.0024)	
					Exhaust	0.040 — 0.067 (0.0016 — 0.0026)	
				Limit	—	0.15 (0.059)	
Overall length		mm (in)	Intake	120.6 (4.75)			
			Exhaust	121.7 (4.79)			
Valve spring	Free length		mm (in)	55.2 (2.173)			
	Squareness			2.5°, 2.4 mm (0.094 in) or less			
	Tension/spring height		N (kgf, lbf)/mm (in)	Set	235.3 — 270.7 (24 — 27.6, 52.9 — 60.8)/45.0 (1.772)		
				Lift	578.9 — 639.9 (59.1 — 65.3, 130.3 — 143.9)/34.7 (1.366)		

# General Description

## MECHANICAL

Cylinder block	Surface warpage limit (mating with cylinder head)		mm (in)	0.025 (0.00098)		
	Grinding limit		mm (in)	0.1 (0.004)		
	Standard height		mm (in)	201.0 (7.91)		
	Cylinder inner diameter	mm (in)	Standard	A	99.505 — 99.515 (3.9175 — 3.9179)	
				B	99.495 — 99.505 (3.9171 — 3.9175)	
	Taper	mm (in)		Standard	0.015 (0.0006)	
				Limit	0.050 (0.0020)	
	Out-of-roundness	mm (in)		Standard	0.010 (0.0004)	
				Limit	0.050 (0.0020)	
Piston clearance	mm (in)		Standard	-0.010 — 0.010 (-0.00039 — 0.00039)		
			Limit	0.030 (0.0012)		
Cylinder boring limit (diameter)		mm (in)	100.005 (3.937)			
Piston	Outer diameter	mm (in)	Standard	A	99.505 — 99.515 (3.9175 — 3.9179)	
				B	99.495 — 99.505 (3.9171 — 3.9175)	
			0.25 (0.0098) OS			99.745 — 99.765 (3.9270 — 3.9278)
			0.50 (0.0197) OS			99.995 — 100.015 (3.9368 — 3.9376)
Piston pin standard diameter		mm (in)	23.000 — 23.006 (0.9055 — 0.9057)			
Piston pin	Outer diameter		mm (in)	22.994 — 23.000 (0.9053 — 0.9055)		
	Clearance between piston and piston pin	mm (in)	Standard	0.004 — 0.008 (0.0002 — 0.0003)		
			Limit	0.020 (0.0008)		
	Degree of fit			Piston pin must be fitted into position with thumb at 20°C (68°F).		
Piston Ring	Ring closed gap	mm (in)	Top ring	Standard	0.20 — 0.35 (0.0079 — 0.0138)	
				Limit	1.0 (0.039)	
			Second ring	Standard	0.37 — 0.52 (0.0144 — 0.0203)	
				Limit	1.0 (0.039)	
	Oil ring		Standard	0.20 — 0.50 (0.0079 — 0.0197)		
			Limit	1.5 (0.059)		
	Ring groove gap	mm (in)	Top ring	Standard	0.040 — 0.080 (0.0016 — 0.0031)	
				Limit	0.15 (0.0059)	
Second ring			Standard	0.030 — 0.070 (0.0012 — 0.0028)		
			Limit	0.15 (0.0059)		
Connecting rod	Bend twist per 100 mm (3.94 in) in length		mm (in)	Limit	0.10 (0.0039)	
	Side clearance of large end	mm (in)	Standard	0.070 — 0.330 (0.0028 — 0.0130)		
			Limit	0.4 (0.016)		
Bearing of large end	Oil clearance	mm (in)	Standard	0.016 — 0.044 (0.00063 — 0.0017)		
			Limit	0.05 (0.0020)		
	Bearing size (Thickness at center)	mm (in)	Standard	1.492 — 1.501 (0.0587 — 0.0591)		
			0.03 (0.0012) US	1.510 — 1.513 (0.0594 — 0.0596)		
			0.05 (0.0020) US	1.520 — 1.523 (0.0598 — 0.0600)		
	0.25 (0.0098) US	1.620 — 1.623 (0.0638 — 0.0639)				
Bushing of small end	Clearance between piston pin and bushing		mm (in)	Standard	0 — 0.022 (0 — 0.0009)	
				Limit	0.030 (0.0012)	

# General Description

MECHANICAL

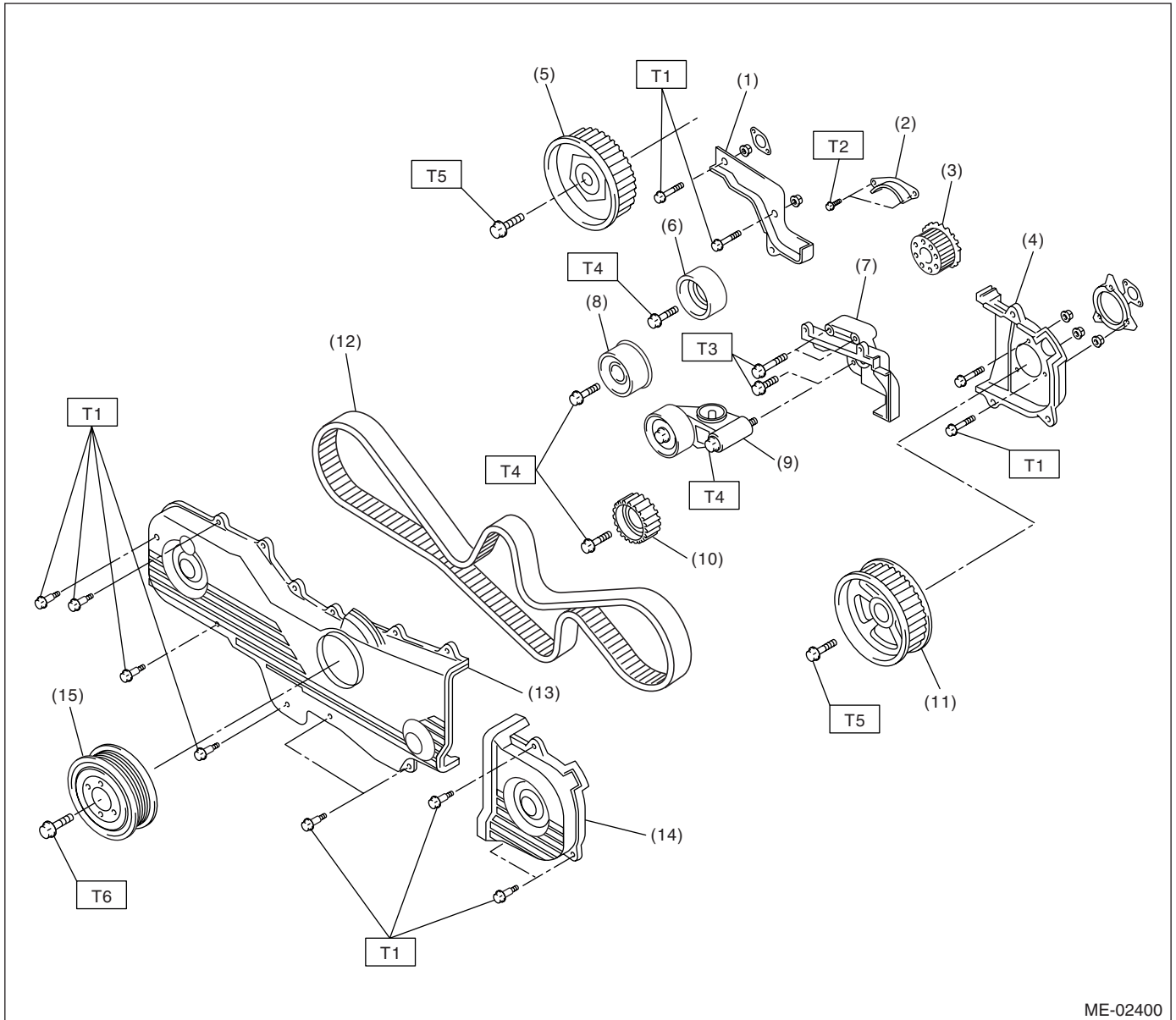
Crankshaft	Bend limit		mm (in)	0.035 (0.0014)	
	Crank pin	Out-of-roundness		mm (in)	0.003 (0.0001)
		Cylindricality		mm (in)	0.004 (0.0002)
		Grinding limit (dia.)		mm (in)	To 51.750 (2.0374)
	Crank journal	Out-of-roundness		mm (in)	0.005 (0.0002)
		Cylindricality		mm (in)	0.006 (0.0002)
		Grinding limit (dia.)		mm (in)	To 59.750 (2.3524)
	Crank pin outer diameter	mm (in)	Standard		51.984 — 52.000 (2.0466 — 2.0472)
			0.03 (0.0012) US		51.954 — 51.970 (2.0454 — 2.0461)
			0.05 (0.0020) US		51.934 — 51.950 (2.0446 — 2.0453)
			0.25 (0.0098) US		51.734 — 51.750 (2.0368 — 2.0374)
	Crank journal outer diameter	mm (in)	Standard		59.992 — 60.008 (2.3619 — 2.3625)
			0.03 (0.0012) US		59.962 — 59.978 (2.3607 — 2.3613)
			0.05 (0.0020) US		59.942 — 59.958 (2.3599 — 2.3605)
0.25 (0.0098) US			59.742 — 59.758 (2.3520 — 2.3527)		
Side clearance	mm (in)	Standard		0.030 — 0.115 (0.0012 — 0.0045)	
		Limit		0.25 (0.0098)	
Oil clearance	mm (in)	Standard		0.010 — 0.030 (0.0004 — 0.0012)	
		Limit		0.40 (0.0016)	
Main bearing	Main bearing	#1, #3	Standard		1.998 — 2.011 (0.0787 — 0.0792)
			0.03 (0.0012) US		2.017 — 2.020 (0.0794 — 0.0795)
			0.05 (0.0020) US		2.027 — 2.030 (0.0798 — 0.0799)
			0.25 (0.0098) US		2.127 — 2.130 (0.0837 — 0.0839)
	mm (in)	#2, #4, #5	Standard		2.000 — 2.013 (0.0787 — 0.0793)
			0.03 (0.0012) US		2.019 — 2.022 (0.0795 — 0.0796)
			0.05 (0.0020) US		2.029 — 2.032 (0.0799 — 0.0800)
			0.25 (0.0098) US		2.129 — 2.132 (0.0838 — 0.0839)

# General Description

MECHANICAL

## B: COMPONENT

### 1. TIMING BELT



ME-02400

- |                                  |                                   |
|----------------------------------|-----------------------------------|
| (1) Timing belt cover No. 2 (RH) | (9) Automatic belt tensioner ASSY |
| (2) Timing belt guide (MT model) | (10) Belt idler No. 2             |
| (3) Crank sprocket               | (11) Cam sprocket No. 2           |
| (4) Timing belt cover No. 2 (LH) | (12) Timing belt                  |
| (5) Cam sprocket No. 1           | (13) Front timing belt cover      |
| (6) Belt idler (No. 1)           | (14) Timing belt cover (LH)       |
| (7) Tensioner bracket            | (15) Crank pulley                 |
| (8) Belt idler (No. 2)           |                                   |

**Tightening torque: N·m (kgf·m, ft·lb)**

**T1: 5 (0.5, 3.6)**

**T2: 9.75 (1.0, 7.2)**

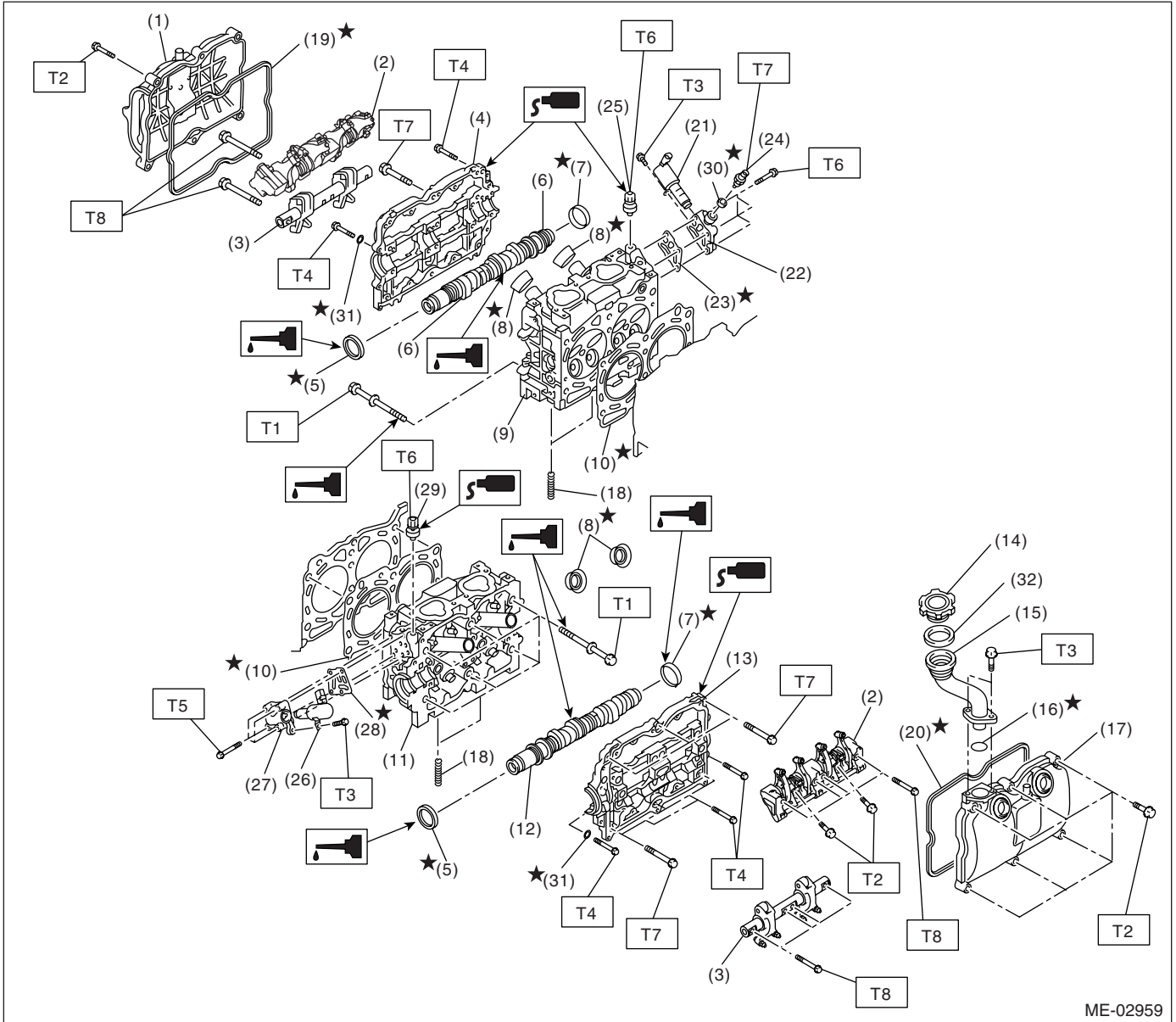
**T3: 24.5 (2.5, 18.1)**

**T4: 39 (4.0, 28.9)**

**T5: 78 (8.0, 57.9)**

**T6: <Ref. to ME(H4SO)-42, INSTALLATION, Crank Pulley.>**

## 2. CYLINDER HEAD AND CAMSHAFT



ME-02959

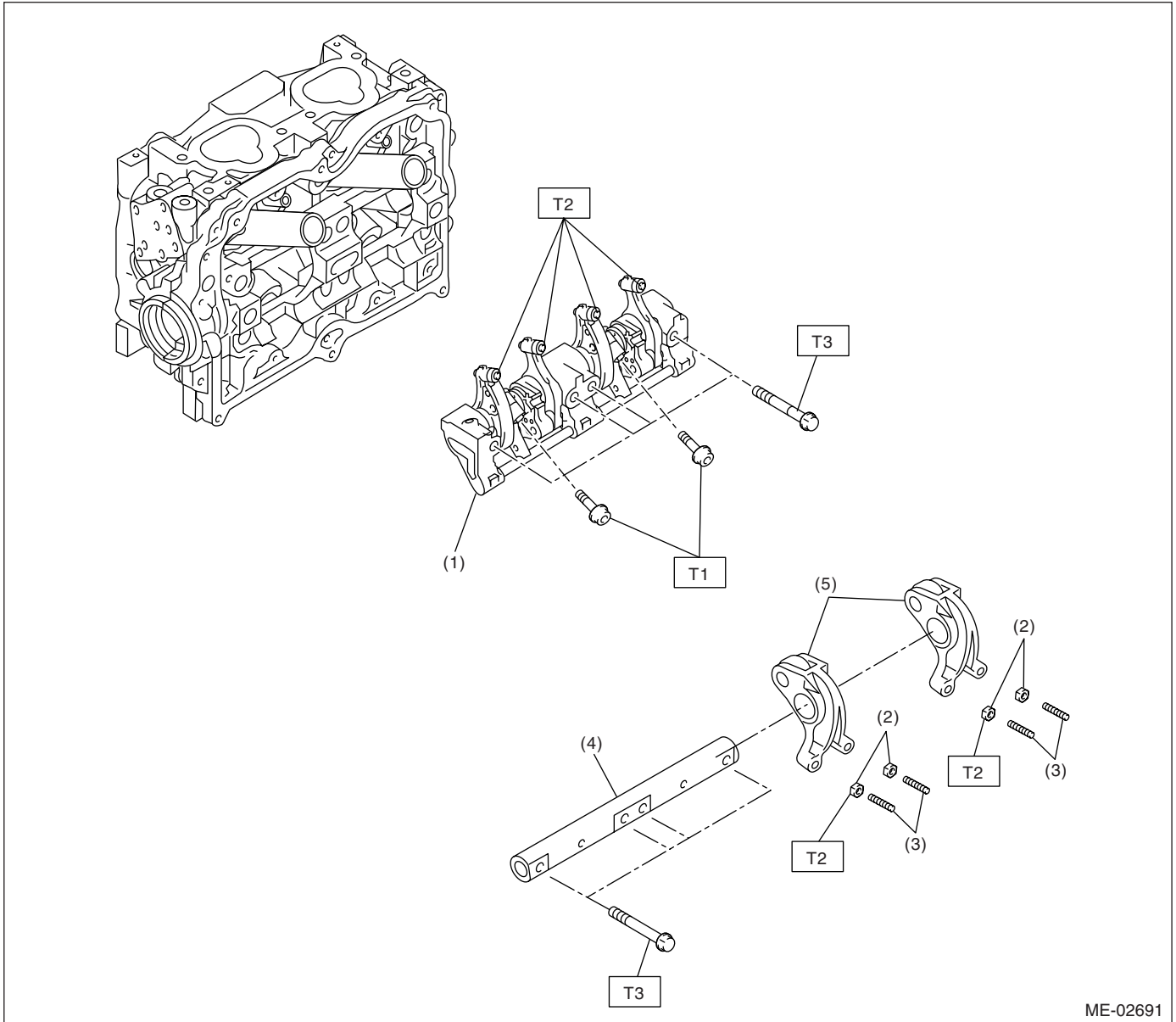
# General Description

## MECHANICAL

<ul style="list-style-type: none"> <li>(1) Rocker cover (RH)</li> <li>(2) Intake valve rocker ASSY</li> <li>(3) Exhaust valve rocker ASSY</li> <li>(4) Camshaft cap (RH)</li> <li>(5) Oil seal</li> <li>(6) Camshaft (RH)</li> <li>(7) Plug</li> <li>(8) Spark plug pipe gasket</li> <li>(9) Cylinder head (RH)</li> <li>(10) Cylinder head gasket</li> <li>(11) Cylinder head (LH)</li> <li>(12) Camshaft (LH)</li> <li>(13) Camshaft cap (LH)</li> <li>(14) Oil filler cap</li> <li>(15) Oil filler duct</li> <li>(16) O-ring</li> <li>(17) Rocker cover (LH)</li> </ul>	<ul style="list-style-type: none"> <li>(18) Stud bolt</li> <li>(19) Rocker cover gasket (RH)</li> <li>(20) Rocker cover gasket (LH)</li> <li>(21) Oil switching solenoid valve (RH)</li> <li>(22) Oil switching solenoid valve holder (RH)</li> <li>(23) Gasket</li> <li>(24) Oil temperature sensor</li> <li>(25) Variable valve lift diagnosis oil pressure switch (RH)</li> <li>(26) Oil switching solenoid valve (LH)</li> <li>(27) Oil switching solenoid valve holder (LH)</li> <li>(28) Gasket</li> <li>(29) Variable valve lift diagnosis oil pressure switch (LH)</li> <li>(30) Oil temperature sensor gasket</li> </ul>	<ul style="list-style-type: none"> <li>(31) Seal washer</li> <li>(32) Gasket</li> </ul> <hr/> <p><b>Tightening torque: N·m (kgf·m, ft·lb)</b></p> <p><b>T1: &lt;Ref. to ME(H4SO)-58, INSTALLATION, Cylinder Head.&gt;</b></p> <p><b>T2: &lt;Ref. to ME(H4SO)-51, INSTALLATION, Valve Rocker Assembly.&gt;</b></p> <p><b>T3: 6.4 (0.65, 4.7)</b></p> <p><b>T4: 9.75 (1.0, 7.2)</b></p> <p><b>T5: 10 (1.0, 7.4)</b></p> <p><b>T6: 17 (1.7, 12.5)</b></p> <p><b>T7: 18 (1.8, 13.3)</b></p> <p><b>T8: 25 (2.5, 18.4)</b></p> <hr/>
--	---	--



## 3. VALVE ROCKER ASSEMBLY



ME-02691

- |                                  |                              |
|----------------------------------|------------------------------|
| (1) Intake valve rocker arm ASSY | (5) Exhaust valve rocker arm |
| (2) Valve rocker nut             |                              |
| (3) Valve rocker adjust screw    |                              |
| (4) Exhaust rocker shaft         |                              |

**Tightening torque: N·m (kgf·m, ft·lb)**

**T1: 8 (0.8, 5.9)**

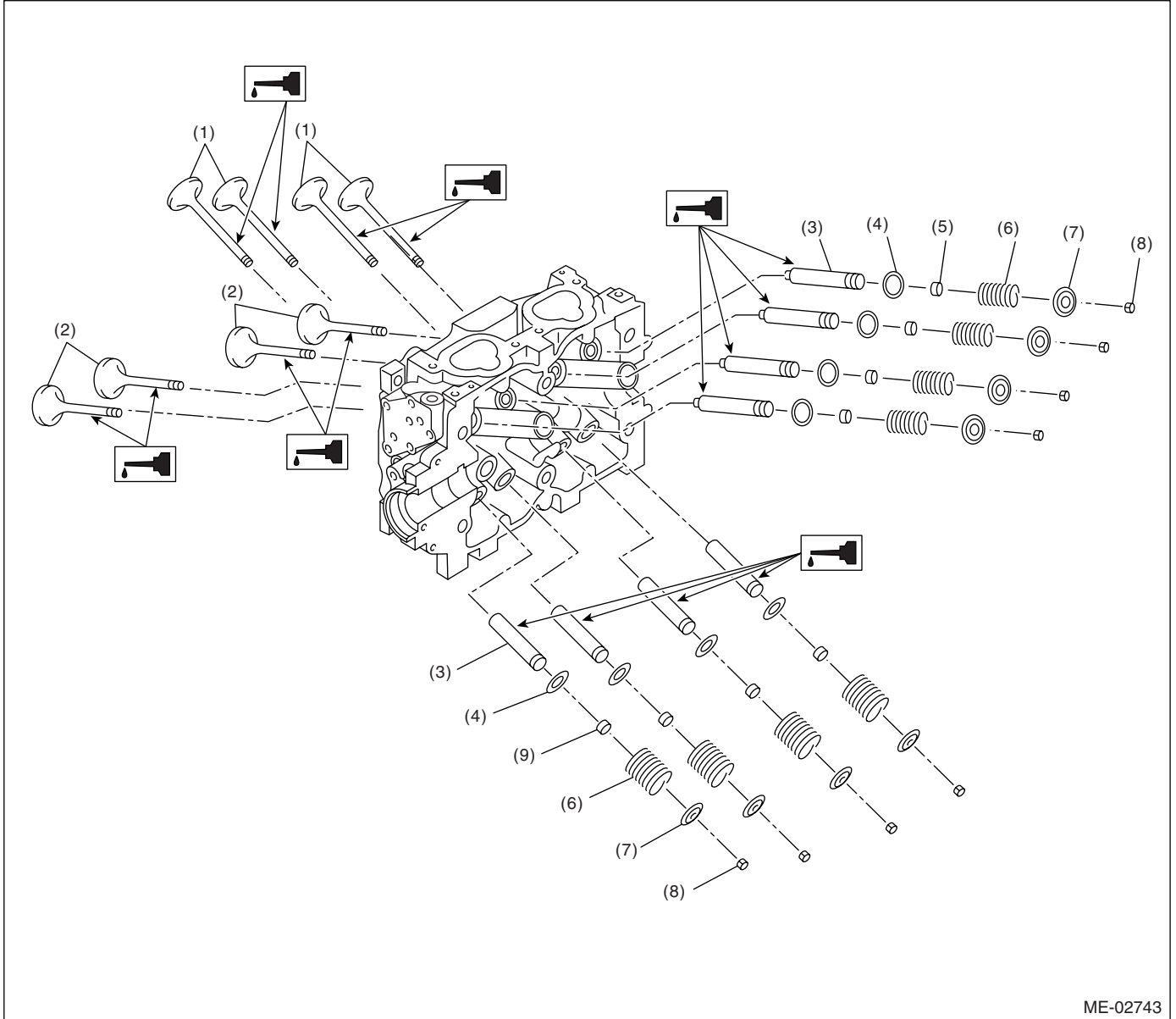
**T2: 9.75 (1.0, 7.2)**

**T3: 25 (2.5, 18.4)**

# General Description

MECHANICAL

## 4. CYLINDER HEAD AND VALVE ASSEMBLY

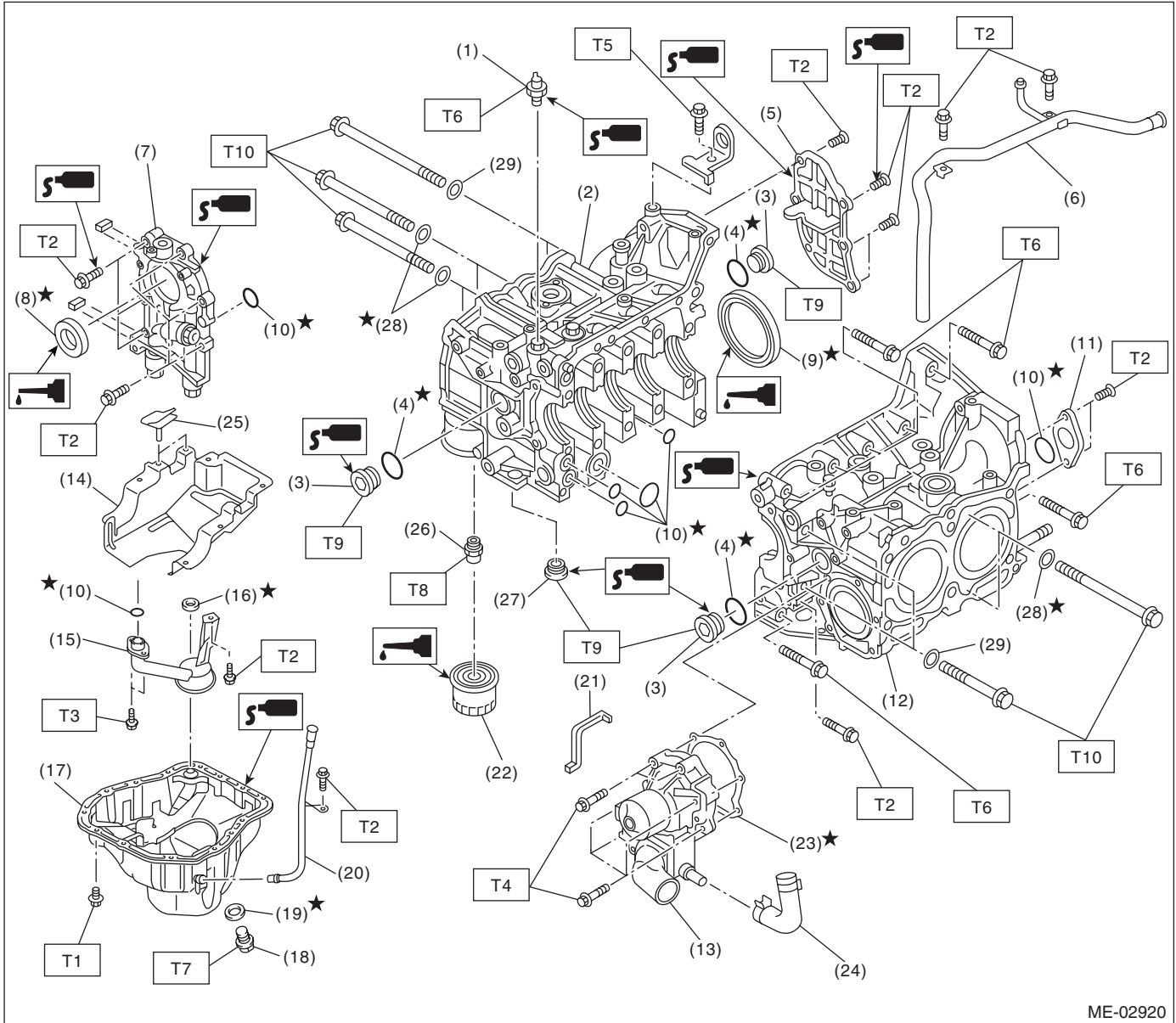


- (1) Exhaust valve
- (2) Intake valve
- (3) Valve guide

- (4) Valve spring seat
- (5) Intake valve oil seal
- (6) Valve spring

- (7) Retainer
- (8) Retainer key
- (9) Exhaust valve oil seal

## 5. CYLINDER BLOCK



ME-02920

- |                          |                            |
|--------------------------|----------------------------|
| (1) Oil pressure switch  | (16) Gasket                |
| (2) Cylinder block (RH)  | (17) Oil pan               |
| (3) Service hole plug    | (18) Drain plug            |
| (4) Gasket               | (19) Metal gasket          |
| (5) Oil separator cover  | (20) Oil level gauge guide |
| (6) Water by-pass pipe   | (21) Water pump sealing    |
| (7) Oil pump             | (22) Oil filter            |
| (8) Front oil seal       | (23) Gasket                |
| (9) Rear oil seal        | (24) Water pump hose       |
| (10) O-ring              | (25) Seal                  |
| (11) Service hole cover  | (26) Connector             |
| (12) Cylinder block (LH) | (27) Plug                  |
| (13) Water pump          | (28) Seal washer           |
| (14) Baffle plate        | (29) Washer                |
| (15) Oil strainer        |                            |

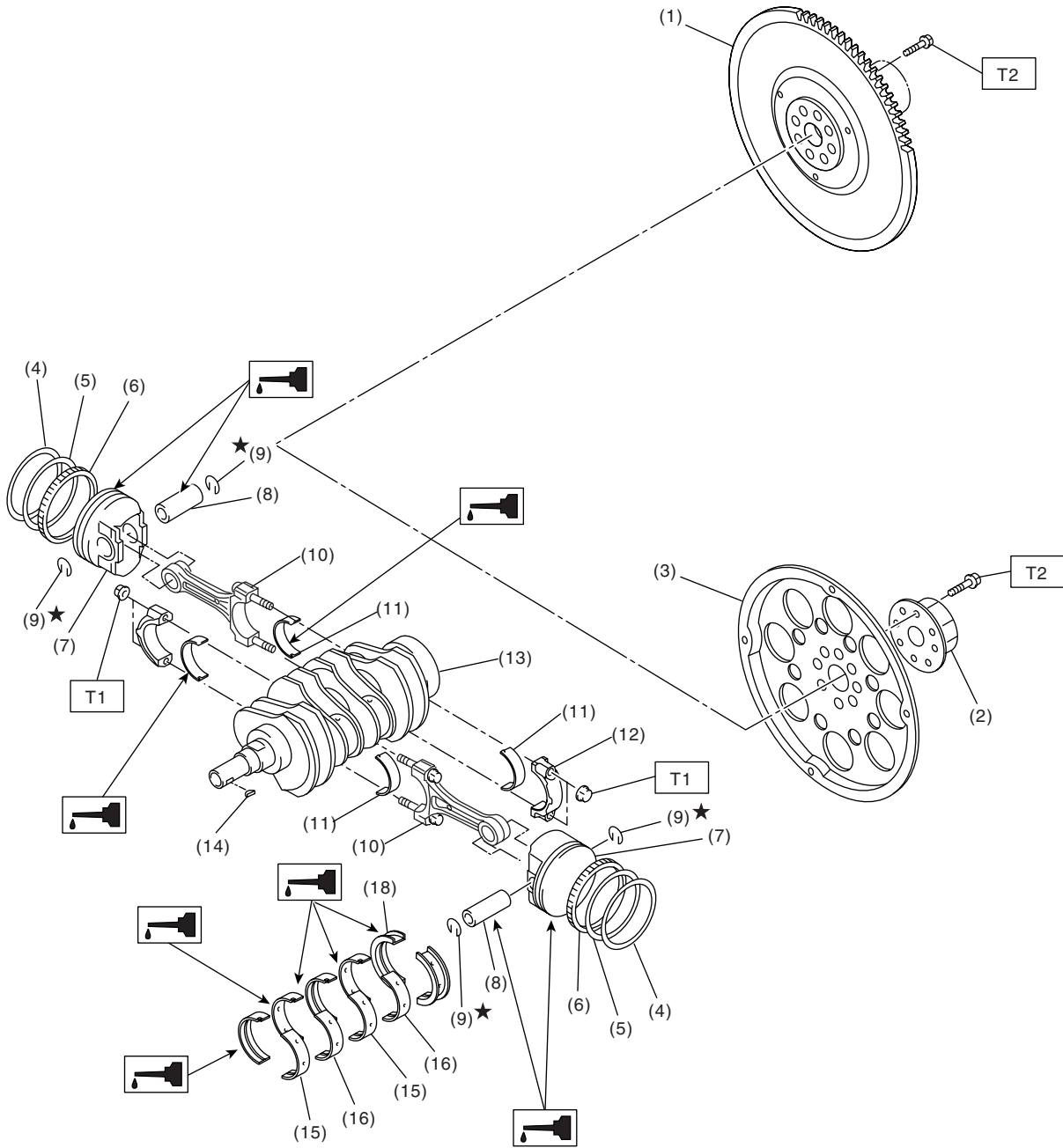
**Tightening torque: N·m (kgf·m, ft·lb)**

- T1: 5 (0.5, 3.6)**  
**T2: 6.4 (0.65, 4.7)**  
**T3: 10 (1.0, 7.4)**  
**T4: First 12 (1.2, 8.7)**  
**Second 12 (1.2, 8.7)**  
**T5: 16 (1.6, 11.6)**  
**T6: 25 (2.5, 18.4)**  
**T7: 44 (4.5, 33)**  
**T8: 45 (4.6, 33.2)**  
**T9: 70 (7.1, 50.6)**  
**T10: <Ref. to ME(H4SO)-69,**  
**INSTALLATION, Cylinder**  
**Block.>**

# General Description

MECHANICAL

## 6. CRANKSHAFT AND PISTON



ME-02693

- |                              |                             |                                |
|------------------------------|-----------------------------|--------------------------------|
| (1) Flywheel (MT model)      | (8) Piston pin              | (15) Crankshaft bearing #1, #3 |
| (2) Reinforcement (AT model) | (9) Snap ring               | (16) Crankshaft bearing #2, #4 |
| (3) Drive plate (AT model)   | (10) Connecting rod         | (17) Crankshaft bearing #5     |
| (4) Top ring                 | (11) Connecting rod bearing |                                |
| (5) Second ring              | (12) Connecting rod cap     |                                |
| (6) Oil ring                 | (13) Crankshaft             |                                |
| (7) Piston                   | (14) Woodruff key           |                                |

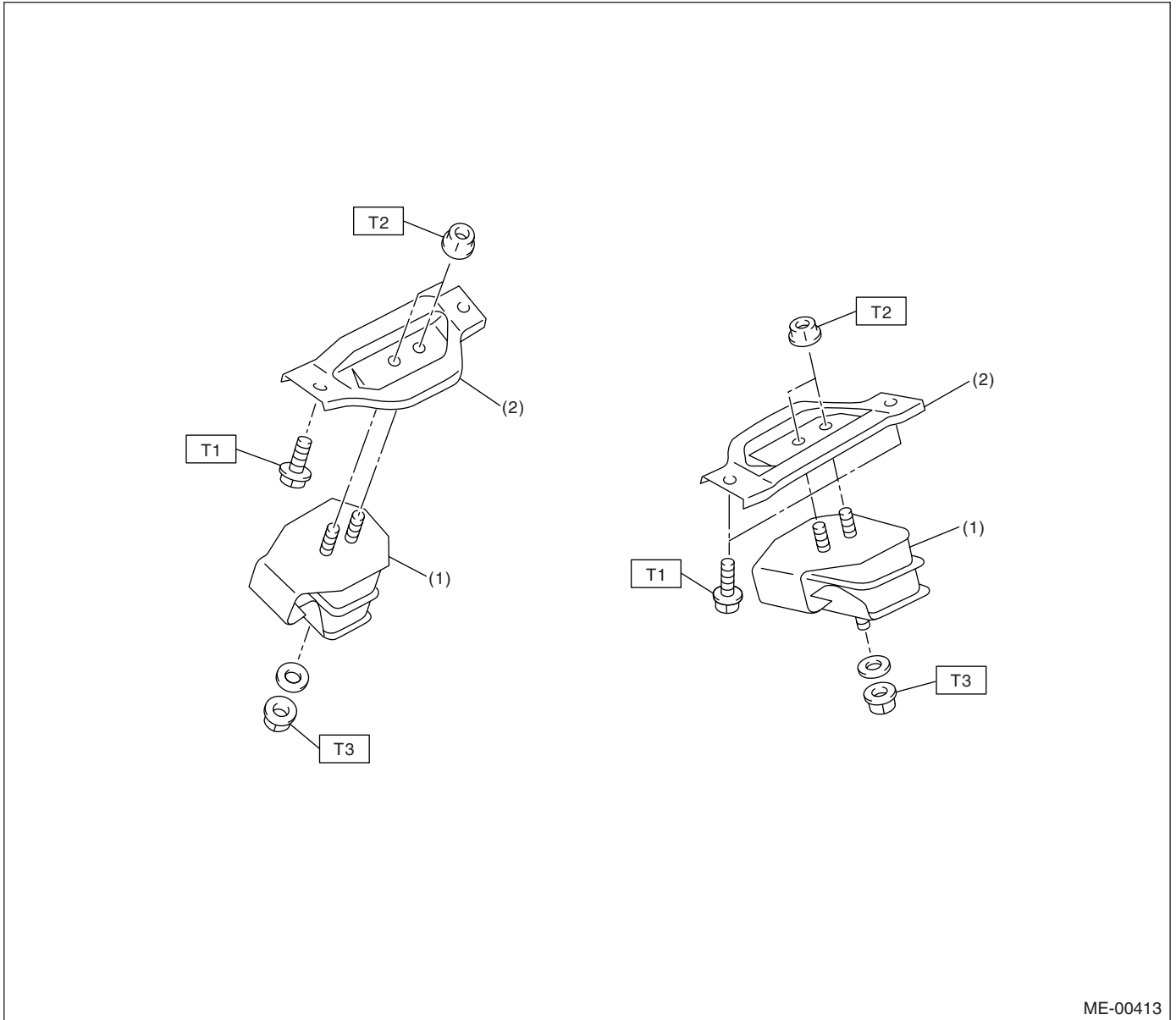
**Tightening torque: N-m (kgf-m, ft-lb)**

**T1: 45 (4.6, 33.2)**

**T2: 72 (7.3, 52.8)**

**ME(H4SO)-12**

## 7. ENGINE MOUNTING



ME-00413

(1) Front cushion rubber

(2) Front engine mounting bracket

**Tightening torque: N·m (kgf·m, ft·lb)**

**T1: 35 (3.6, 25.8)**

**T2: 42 (4.3, 31.0)**

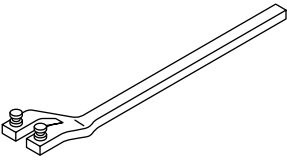
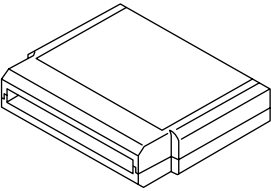

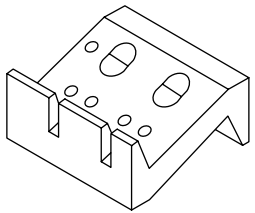
**T3: 85 (8.7, 63)**

### **C: CAUTION**

- Wear work clothing, including a cap, protective goggles and protective shoes during operation.
- Remove contamination including dirt and corrosion before removal, installation or disassembly.
- Keep the disassembled parts in order and protect them from dust and dirt.
- Before removal, installation or disassembly, be sure to clarify the failure. Avoid unnecessary removal, installation, disassembly and replacement.
- Be careful not to burn yourself, because each part on the vehicle is hot after running.
- Be sure to tighten fasteners including bolts and nuts to the specified torque.
- Place shop jacks or rigid racks at the specified points.
- Before disconnecting electrical connectors of sensors or units, be sure to disconnect the ground cable from battery.
- All parts should be thoroughly cleaned, paying special attention to the engine oil passages, pistons and bearings.
- Rotating parts and sliding parts such as piston, bearing and gear should be coated with oil prior to assembly.
- Be careful not to let oil, grease or coolant contact the timing belt, clutch disc and flywheel.
- All removed parts, if to be reused, should be re-installed in the original positions and directions.
- Bolts, nuts and washers should be replaced with new ones as required.
- Even if necessary inspections have been made in advance, proceed with assembly work while making rechecks.
- Remove or install the engine in an area where chain hoists, lifting devices, etc. are available for ready use.
- Be sure not to damage coated surfaces of body panels with tools, or not to stain seats and windows with coolant or oil. Place a cover over fenders, as required, for protection.
- Prior to starting work, prepare the following:  
Service tools, clean cloth, containers to catch coolant and oil, wire ropes, chain hoist, transmission jacks, etc.
- Lift-up or lower the vehicle when necessary. Make sure to support the correct positions.

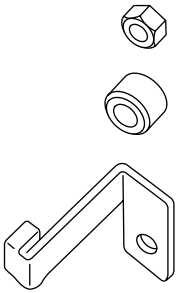
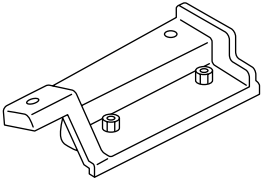
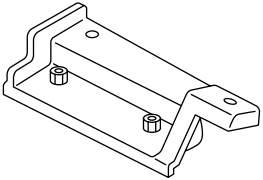
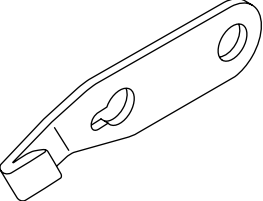
## D: PREPARATION TOOL

### 1. SPECIAL TOOL

ILLUSTRATION	TOOL NUMBER	DESCRIPTION	REMARKS
 <p style="text-align: center;">ST18231AA010</p>	<p style="text-align: center;">18231AA010</p>	<p>CAM SPROCKET WRENCH</p>	<ul style="list-style-type: none"> <li>• Used for removing and installing cam sprocket. (LH side)</li> <li>• CAM SPROCKET WRENCH (499207100) can also be used.</li> </ul>
 <p style="text-align: center;">ST18482AA010</p>	<p style="text-align: center;">18482AA010 (Newly adopted tool)</p>	<p>CARTRIDGE</p>	<p>Troubleshooting for electrical system.</p>
 <p style="text-align: center;">ST22771AA030</p>	<p style="text-align: center;">22771AA030</p>	<p>SUBARU SELECT MONITOR KIT</p>	<p>Troubleshooting for electrical system.</p>
 <p style="text-align: center;">ST-498267800</p>	<p style="text-align: center;">498267800</p>	<p>CYLINDER HEAD TABLE</p>	<ul style="list-style-type: none"> <li>• Used for replacing valve guides.</li> <li>• Used for removing and installing valve spring.</li> </ul>

# General Description

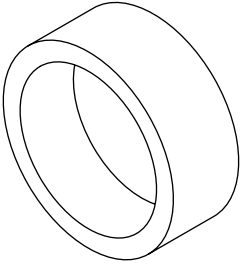
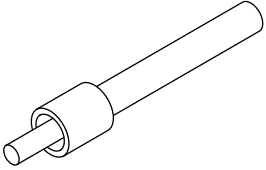
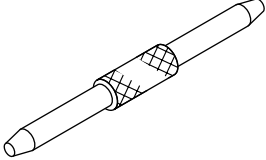
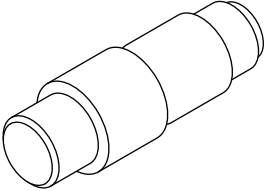
## MECHANICAL

ILLUSTRATION	TOOL NUMBER	DESCRIPTION	REMARKS
 <p style="text-align: center;">ST-498277200</p>	498277200	STOPPER SET	Used for installing automatic transmission assembly to engine.
 <p style="text-align: center;">ST-498457000</p>	498457000	ENGINE STAND ADAPTER RH	Used with ENGINE STAND (499817100).
 <p style="text-align: center;">ST-498457100</p>	498457100	ENGINE STAND ADAPTER LH	Used with ENGINE STAND (499817100).
 <p style="text-align: center;">ST-498497100</p>	498497100	CRANKSHAFT STOPPER	Used for stopping rotation of flywheel when loosening/tightening crank pulley bolt.



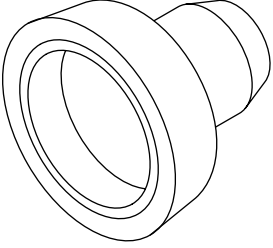
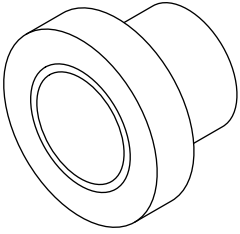
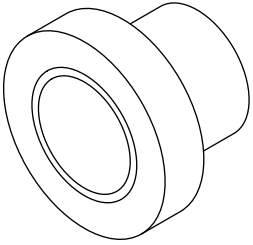
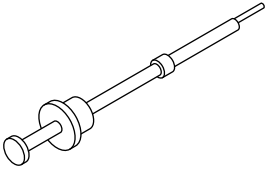
# General Description

MECHANICAL

ILLUSTRATION	TOOL NUMBER	DESCRIPTION	REMARKS
 <p style="text-align: center;">ST-498747300</p>	498747300	PISTON GUIDE	Used for installing piston in cylinder.
 <p style="text-align: center;">ST-498857100</p>	498857100	VALVE OIL SEAL GUIDE	Used for press-fitting of intake and exhaust valve guide oil seals.
 <p style="text-align: center;">ST-499017100</p>	499017100	PISTON PIN GUIDE	Used for installing piston pin, piston and connecting rod.
 <p style="text-align: center;">ST-499037100</p>	499037100	CONNECTING ROD BUSHING REMOVER & INSTALLER	Used for removing and installing connecting rod bushing.

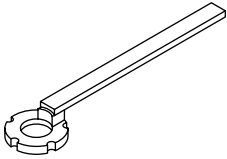
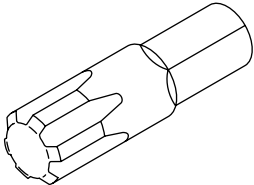
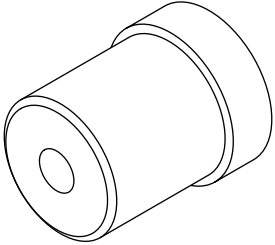
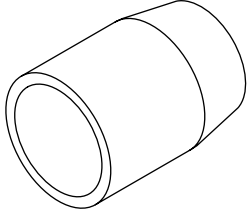
# General Description

## MECHANICAL

ILLUSTRATION	TOOL NUMBER	DESCRIPTION	REMARKS
 <p style="text-align: center;">ST-499587200</p>	499587200	CRANKSHAFT OIL SEAL INSTALLER	<ul style="list-style-type: none"> <li>• Used for installing crankshaft oil seal.</li> <li>• Used with CRANKSHAFT OIL SEAL GUIDE (499597100).</li> </ul>
 <p style="text-align: center;">ST-499587500</p>	499587500	OIL SEAL INSTALLER	<ul style="list-style-type: none"> <li>• Used for installing camshaft oil seal.</li> <li>• Used with OIL SEAL GUIDE (499597000).</li> </ul>
 <p style="text-align: center;">ST-499587700</p>	499587700	CAMSHAFT OIL SEAL INSTALLER	Used for installing cylinder head plug.
 <p style="text-align: center;">ST-499097700</p>	499097700	PISTON PIN REMOVER ASSY	Used for removing piston pin.

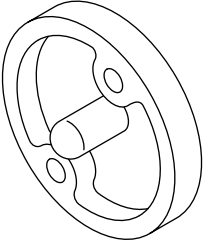
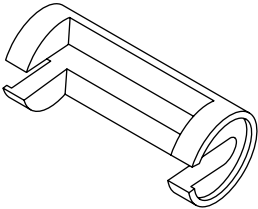
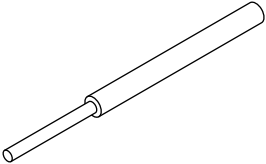
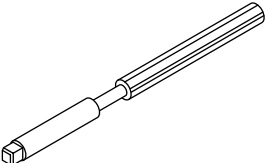
# General Description

MECHANICAL

ILLUSTRATION	TOOL NUMBER	DESCRIPTION	REMARKS
 <p style="text-align: center;">ST-499207400</p>	499207400	CAM SPROCKET WRENCH	Used for removing and installing cam sprocket. (RH side)
 <p style="text-align: center;">ST-499497000</p>	499497000	TORX PLUS®	Used for removing and installing camshaft cap.
 <p style="text-align: center;">ST-499587100</p>	499587100	OIL SEAL INSTALLER	Used for installing oil pump oil seal.
 <p style="text-align: center;">ST-499597000</p>	499597000	OIL SEAL GUIDE	<ul style="list-style-type: none"> <li>• Used for installing camshaft oil seal.</li> <li>• Used with CAMSHAFT OIL SEAL INSTALLER (499587500).</li> </ul>

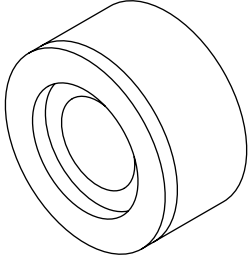
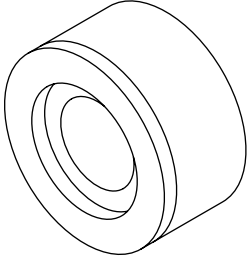
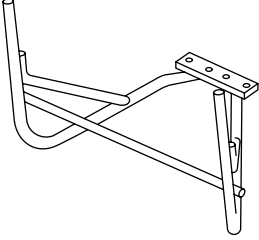
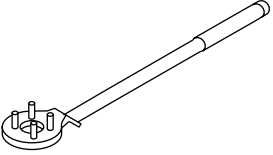
# General Description

## MECHANICAL

ILLUSTRATION	TOOL NUMBER	DESCRIPTION	REMARKS
 <p style="text-align: center;">ST-499597100</p>	499597100	CRANKSHAFT OIL SEAL GUIDE	<ul style="list-style-type: none"> <li>• Used for installing crankshaft oil seal.</li> <li>• Used with CRANKSHAFT OIL SEAL INSTALLER (499587200).</li> </ul>
 <p style="text-align: center;">ST-499718000</p>	499718000	VALVE SPRING REMOVER	Used for removing and installing valve spring.
 <p style="text-align: center;">ST-499767200</p>	499767200	VALVE GUIDE REMOVER	Used for removing valve guides.
 <p style="text-align: center;">ST-499767400</p>	499767400	VALVE GUIDE REAMER	Used for reaming valve guides.

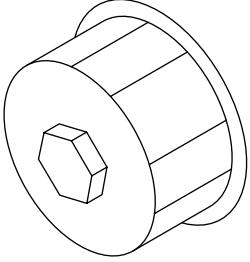
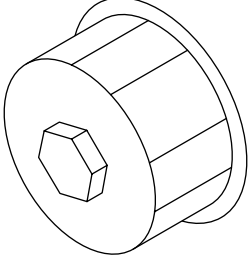
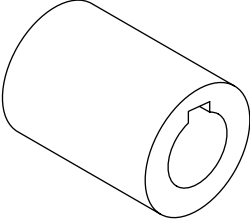
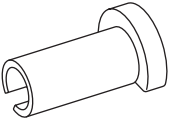
# General Description

MECHANICAL

ILLUSTRATION	TOOL NUMBER	DESCRIPTION	REMARKS
 <p data-bbox="337 541 467 562">ST-499767700</p>	499767700	VALVE GUIDE ADJUSTER	Used for installing valve guides. (Intake side)
 <p data-bbox="337 913 467 934">ST-499767800</p>	499767800	VALVE GUIDE ADJUSTER	Used for installing valve guides. (Exhaust side)
 <p data-bbox="337 1285 467 1306">ST-499817100</p>	499817100	ENGINE STAND	<ul style="list-style-type: none"> <li>• Stand used for engine disassembly and assembly.</li> <li>• Used with ENGINE STAND ADAPTER RH (498457000)&amp; LH (498457100).</li> </ul>
 <p data-bbox="337 1659 467 1680">ST-499977100</p>	499977100	CRANK PULLEY WRENCH	Used for stopping rotation of crank pulley when loosening/tightening crank pulley bolt.

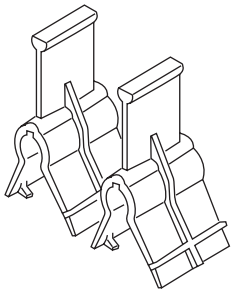
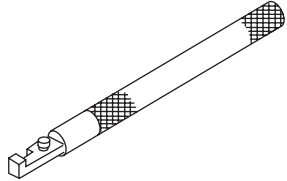
# General Description

## MECHANICAL

ILLUSTRATION	TOOL NUMBER	DESCRIPTION	REMARKS
 <p style="text-align: center;">ST18332AA000</p>	18332AA000	OIL FILTER WRENCH	Used for removing and installing oil filter. (Outer diameter: 68 mm (2.68 in))
 <p style="text-align: center;">ST18332AA010</p>	18332AA010	OIL FILTER WRENCH	Used for removing and installing oil filter. (Outer diameter: 65 mm (2.56 in))
 <p style="text-align: center;">ST-499987500</p>	499987500	CRANKSHAFT SOCKET	Used for rotating crankshaft.
 <p style="text-align: center;">ST42099AE000</p>	42099AE000	CONNECTOR REMOVER	Used for removing quick connector.

# General Description

MECHANICAL

ILLUSTRATION	TOOL NUMBER	DESCRIPTION	REMARKS
 <p style="text-align: center;">ST18354AA000</p>	18354AA000	VALVE ROCKER HOLDER	Used for installing valve rocker assembly (Intake). (2 in one set)
 <p style="text-align: center;">ST18258AA000</p>	18258AA000	SPRING INSTALLER	Used for installing valve rocker assembly (Intake).

## 2. GENERAL TOOL

TOOL NAME	REMARKS
Compression gauge	Used for measuring compression.
Tachometer (Secondary pick-up type)	Used for measuring idle speed.

## E: PROCEDURE

It is possible to conduct the following service procedures with engine on the vehicle, however, the procedures described in this section are based on the condition that the engine is removed from the vehicle.

- V-belt
- Timing belt
- Valve rocker assembly
- Camshaft
- Cylinder head

## 2. Compression

### A: INSPECTION

#### CAUTION:

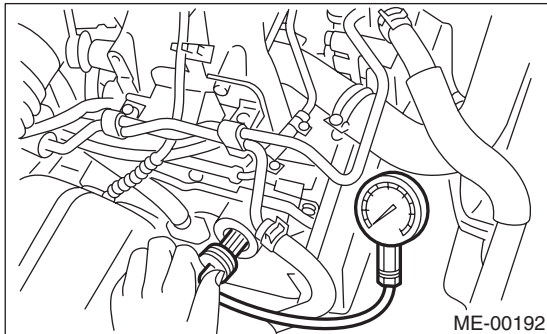
**After warming-up, engine becomes very hot. Be careful not to burn yourself during measurement.**

- 1) After warming-up the engine, turn the ignition switch to OFF.
- 2) Make sure that the battery is fully charged.
- 3) Release the fuel pressure.  
<Ref. to FU(H4SO)-42, RELEASING OF FUEL PRESSURE, PROCEDURE, Fuel.>
- 4) Remove all the spark plugs. <Ref. to IG(H4SO)-4, REMOVAL, Spark Plug.>
- 5) Fully open the throttle valve.
- 6) Check the starter motor for satisfactory performance and operation.
- 7) Fix the compression gauge securely against the spark plug hole.

#### NOTE:

The screw of screw-in type compression gauge (put into cylinder head spark plug hole) should be less than 18 mm (0.71 in) long.

- 8) Crank the engine by means of the starter motor, and then read the maximum value on the gauge when the needle of gauge is steady.



- 9) Perform at least two measurements per cylinder, and make sure that the values are correct.

#### **Compression (350 rpm and fully open throttle):**

##### **Standard:**

**1,020 — 1,275 kPa (10.4 — 13.0 kgf/cm<sup>2</sup>,  
148 — 185 psi)**

##### **Difference between cylinders:**

**49 kPa (0.5 kgf/cm<sup>2</sup>, 7 psi) or less**



## 3. Idle Speed

### A: INSPECTION

1) Before checking the idle speed, check the following:

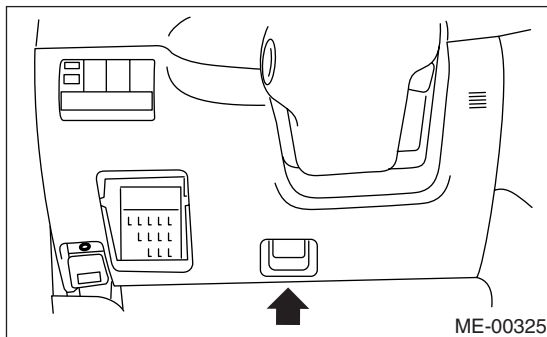
- (1) Ensure the air cleaner element is free from clogging, ignition timing is correct, spark plugs are in good condition, and hoses are connected properly.
- (2) Ensure the malfunction indicator light does not illuminate.

2) Idle the engine.

3) Stop the engine, and turn the ignition switch to OFF.

4) When using Subaru Select Monitor, refer to the following. <Ref. to ME(H4SO)-15, SPECIAL TOOL, PREPARATION TOOL, General Description.>

- (1) Insert the cartridge to the Subaru Select Monitor.
- (2) Connect the Subaru Select Monitor to data link connector.



(3) Turn the ignition switch to ON, and Subaru Select Monitor power switch to ON.

(4) Select {Each System Check} in the Main Menu.

(5) Select {Engine} in the Selection Menu.

(6) Select {Current Data Display & Save} in the Engine Control System Diagnosis.

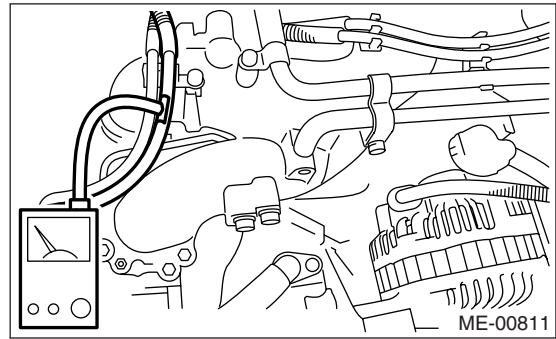
(7) Select {Data Display} in the Data Display Menu.

(8) Start the engine, and read engine idle speed.

5) When using the tachometer (Secondary pick-up type):

- (1) Attach the pick-up clip to No. 1 cylinder spark plug cord.

(2) Start the engine, and read engine idle speed.



**NOTE:**

This ignition system provides simultaneous ignition for #1 and #2 plugs. It must be noted that some tachometers may register twice that of actual engine speed.

6) Check the idle speed when unloaded. (With headlights, heater fan, rear defroster, radiator fan, A/C, etc. OFF)

**Idle speed [No load and gears in "N" or "P" range]:**

**MT model**  
**650±100 rpm**

**AT model**  
**700±100 rpm**

7) Check the idle speed when loaded. (Turn the A/C switch to "ON" and operate the compressor for at least one minute before measurement.)

**Idle speed [A/C "ON" and gears in "N" or "P" range]:**

**850±100 rpm**

**NOTE:**

Idle speed cannot be adjusted manually, because the idle speed is automatically adjusted. If the idle speed is out of specifications, refer to General Diagnosis Table under "Engine Control System". <Ref. to EN(H4SO)(diag)-2, Basic Diagnostic Procedure.>

## 4. Ignition Timing

### A: INSPECTION

#### CAUTION:

**After warming-up, engine becomes very hot. Be careful not to burn yourself at measurement.**

1) Before checking the ignition timing, check the following:

(1) Ensure the air cleaner element is free from clogging, spark plugs are in good condition, and that hoses are connected properly.

(2) Ensure the malfunction indicator light does not illuminate.

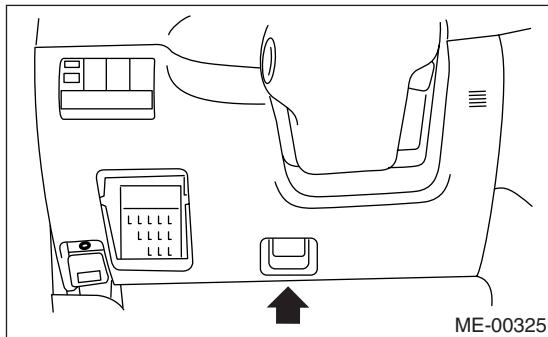
2) Idle the engine.

3) Stop the engine, and turn the ignition switch to OFF.

4) When using Subaru Select Monitor, refer to the following. <Ref. to ME(H4SO)-15, SPECIAL TOOL, PREPARATION TOOL, General Description.>

(1) Insert the cartridge to the Subaru Select Monitor.

(2) Connect the Subaru Select Monitor to data link connector.



(3) Turn the ignition switch to ON, and Subaru Select Monitor power switch to ON.

(4) Select {Each System Check} in the Main Menu.

(5) Select {Engine} in the Selection Menu.

(6) Select {Current Data Display & Save} in the Engine Control System Diagnosis.

(7) Select {Data Display} in the Data Display Menu.

(8) Start the engine, and read the ignition timing by idle speed.

#### **Ignition timing [BTDC/rpm]:**

##### **MT model**

**$10^{\circ} \pm 8^{\circ} / 650$**

##### **AT model**

**$15^{\circ} \pm 8^{\circ} / 700$**

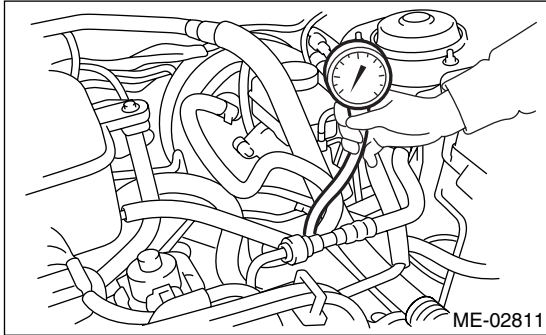
If the timing is not correct, check the ignition control system. <Ref. to EN(H4SO)(diag)-2, Basic Diagnostic Procedure.>

## 5. Intake Manifold Vacuum

### A: INSPECTION

- 1) Idle the engine.
- 2) Disconnect the brake vacuum hose from the intake manifold, and then install the vacuum gauge.
- 3) Keep the engine at the idle speed, and read the vacuum gauge indication.

By observing the gauge needle movement, the internal condition of the engine can be diagnosed as described below.



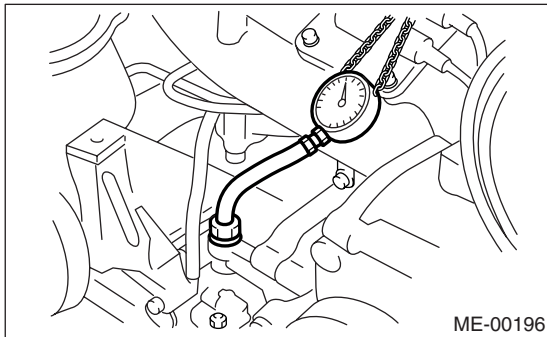
**Vacuum pressure (at idling, A/C “OFF”):**  
**Less than -60.0 kPa (-450 mmHg, -17.72 in-Hg)**

Diagnosis of engine condition by measurement of intake manifold vacuum	
Vacuum gauge indication	Possible engine condition
1. Needle is steady but lower than normal position. This tendency becomes more evident as engine temperature rises.	Air leakage around intake manifold gasket, disconnection or damage of vacuum hose
2. Needle intermittently drops to position lower than normal position.	Leakage around cylinder
3. Needle drops suddenly and intermittently from normal position.	Valve anchoring
4. When engine speed is gradually increased, needle begins to vibrate rapidly at certain speed, and then vibration increases as engine speed increases.	Weak or broken valve springs
5. Needle vibrates above and below normal position in narrow range.	Defective ignition system

## 6. Engine Oil Pressure

### A: INSPECTION

- 1) Disconnect the ground cable from battery.
- 2) Remove the generator from bracket.  
<Ref. to SC(H4SO)-14, REMOVAL, Generator.>
- 3) Disconnect the connector from oil pressure switch.
- 4) Remove the pressure switch from cylinder block.  
<Ref. to LU(H4SO)-18, REMOVAL, Oil Pressure Switch.>
- 5) Connect the oil pressure gauge hose to cylinder block.
- 6) Connect the battery ground cable to battery.
- 7) Start the engine, and measure oil pressure.



#### **Oil pressure:**

##### **Standard**

**98 kPa (1.0 kgf/cm<sup>2</sup>, 14 psi) or more at 600 rpm**

**294 kPa (3.0 kgf/cm<sup>2</sup>, 43 psi) or more at 5,000 rpm**

##### **CAUTION:**

- If the oil pressure is out of specification, check oil pump, oil filter and lubrication line. <Ref. to LU(H4SO)-20, INSPECTION, Engine Lubrication System Trouble in General.>
- If the oil pressure warning light is turned to ON but oil pressure is within specification, replace the oil pressure switch. <Ref. to LU(H4SO)-20, INSPECTION, Engine Lubrication System Trouble in General.>

##### **NOTE:**

The specified value is based on an engine oil temperature of 80°C (176°F).

- 8) After measuring the oil pressure, install the oil pressure switch. <Ref. to LU(H4SO)-18, INSTALLATION, Oil Pressure Switch.>

##### **Tightening torque:**

**25 N·m (2.5 kgf·m, 18.4 ft·lb)**

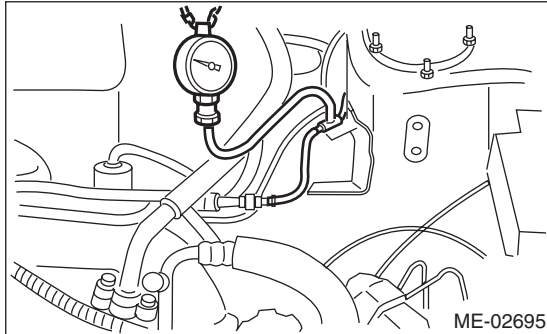
## 7. Fuel Pressure

### A: INSPECTION

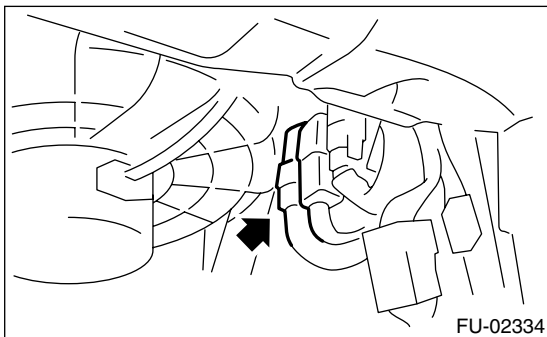
**WARNING:**

**Before removing the fuel pressure gauge, release fuel pressure.**

- 1) Release the fuel pressure.  
<Ref. to FU(H4SO)-42, RELEASING OF FUEL PRESSURE, PROCEDURE, Fuel.>
- 2) Disconnect the fuel delivery hose from fuel damper, and connect a fuel pressure gauge.



- 3) Connect the connector of fuel pump relay.



- 4) Start the engine.
- 5) After warming-up the engine, measure the fuel pressure.

**Fuel pressure:**

**Standard:**

**339.5 — 360.5 kPa (3.5 — 3.7 kgf/cm<sup>2</sup>, 49 — 52 psi)**

**NOTE:**

The fuel pressure gauge registers 10 to 20 kPa (0.1 to 0.2 kgf/cm<sup>2</sup>, 1 to 3 psi) higher than standard values during high-altitude operations.

# Valve Clearance

MECHANICAL

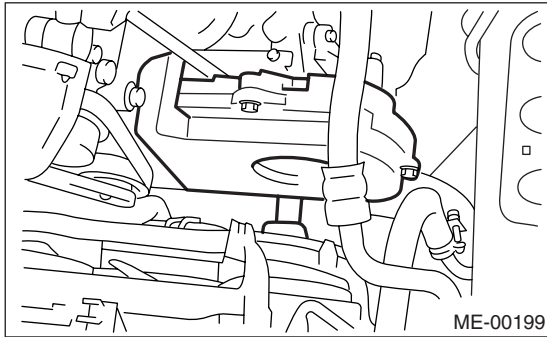
## 8. Valve Clearance

### A: INSPECTION

#### CAUTION:

Inspection and adjustment of valve clearance should be performed while engine is cold.

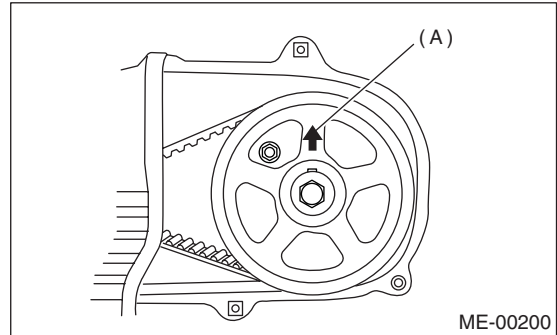
- 1) Set the vehicle on a lift.
- 2) Lift-up the vehicle.
- 3) Remove the under cover.
- 4) Lower the vehicle.
- 5) Disconnect the ground cable from battery.
- 6) Remove the timing belt cover (LH).



- 7) Remove the fuel injector.  
<Ref. to FU(H4SO)-30, REMOVAL, Fuel Injector.>
- 8) When inspecting #1 and #3 cylinders:
  - (1) Disconnect the spark plug cords from spark plugs RH side. <Ref. to IG(H4SO)-4, RH SIDE, REMOVAL, Spark Plug.>
  - (2) Disconnect the PCV hose from rocker cover (RH).
  - (3) Remove the bolts, then remove the rocker cover (RH).
- 9) When inspecting #2 and #4 cylinders:
  - (1) Disconnect the spark plug cords from spark plugs (LH Side). <Ref. to IG(H4SO)-4, LH SIDE, REMOVAL, Spark Plug.>
  - (2) Disconnect the PCV hose from rocker cover (LH).
  - (3) Remove the bolts, then remove the rocker cover (LH).
- 10) Set #1 cylinder piston to top dead center of compression stroke by rotating the crank pulley clockwise using the socket wrench.

#### NOTE:

When the arrow mark (A) on cam sprocket (LH) comes exactly to the top, #1 cylinder piston is brought to the top dead center of compression stroke.



- 11) Measure #1 cylinder valve clearance using thickness gauge.

#### CAUTION:

- Insert the thickness gauge (A) in as horizontally as possible with respect to the valve stem end face.
- Measure the exhaust valve clearances while lifting-up the vehicle.

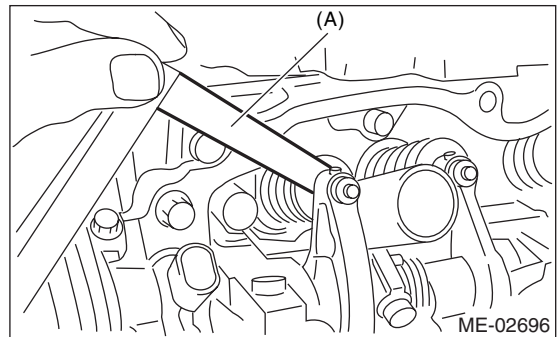
#### Valve clearance (Standard):

##### Intake:

$0.20 \pm 0.04$  mm (0.0079 ± 0.0016 in)

##### Exhaust:

$0.25 \pm 0.04$  mm (0.0098 ± 0.0016 in)



- 12) If necessary, adjust the valve clearance. <Ref. to ME(H4SO)-31, ADJUSTMENT, Valve Clearance.>

- 13) Measure the valve clearance in #3, #2 and #4 cylinder in the same measurement procedure as #1 cylinder.

#### NOTE:

- Be sure to set the cylinder pistons to their respective top dead centers on compression stroke before measuring valve clearances.

- By rotating the crank pulley clockwise every 180° from the state that #1 cylinder piston is on the top dead center of compression stroke, #3, #2 and #4 cylinder pistons come to the top dead center of compression stroke in this order.

14) After inspection, install the related parts in the reverse order of removal.

## B: ADJUSTMENT

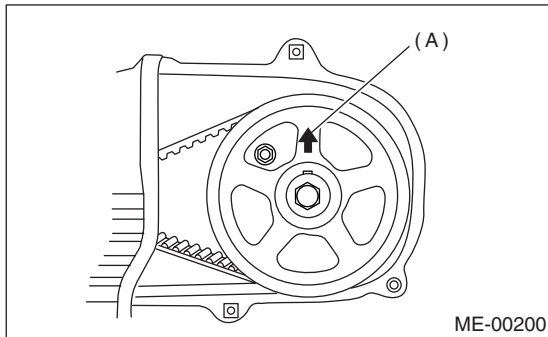
### CAUTION:

**Adjustment of valve clearance should be performed while engine is cold.**

1) Set #1 cylinder piston to top dead center of compression stroke by rotating the crank pulley clockwise using the socket wrench.

### NOTE:

When the arrow mark (A) on cam sprocket (LH) comes exactly to the top, #1 cylinder piston is brought to the top dead center of compression stroke.



2) Adjust the #1 cylinder valve clearance.

- (1) Loosen the valve rocker nut and screw.
- (2) Place a suitable thickness gauge.
- (3) While noting the valve clearance, tighten the valve rocker adjusting screw.
- (4) When the specified valve clearance is obtained, tighten the valve rocker nut.

### Tightening torque:

**9.75 N·m (1.0 kgf·m, 7.2 ft·lb)**

### CAUTION:

- Insert the thickness gauge in as horizontally as possible with respect to the valve stem end face.
- Adjust the exhaust valve clearances while lifting-up the vehicle.

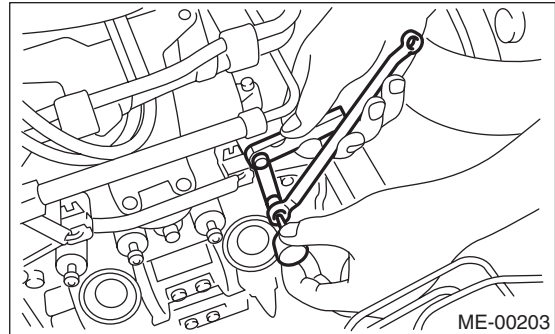
### Valve clearance

#### Intake:

**0.20±0.04 mm (0.0079±0.0016 in)**

#### Exhaust:

**0.25±0.04 mm (0.0098±0.0016 in)**



3) Adjust the valve clearance in #3, #2 and #4 cylinder in the same adjustment procedure as #1 cylinder.

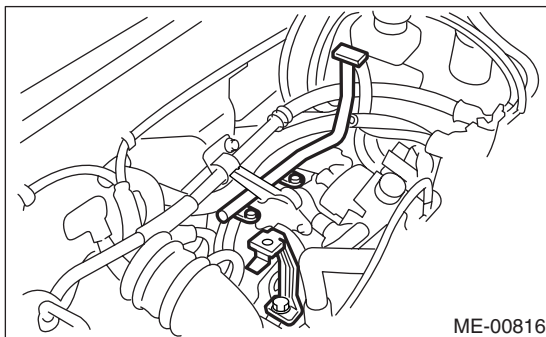
### NOTE:

- Be sure to set the cylinder pistons to their respective top dead centers on compression stroke before adjusting valve clearances.
  - By rotating the crank pulley clockwise every 180° from the state that #1 cylinder piston is on the top dead center of compression stroke, #3, #2 and #4 cylinder pistons come to the top dead center of compression stroke in this order.
- 4) Ensure the valve clearances of each cylinder are within specifications. If necessary, readjust the valve clearances.

## 9. Engine Assembly

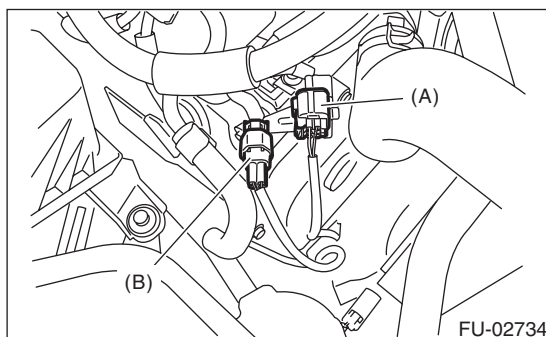
### A: REMOVAL

- 1) Set the vehicle on a lift.
- 2) Open the front hood fully and support with the front food stay.
- 3) Collect the refrigerant from A/C system. <Ref. to AC-20, PROCEDURE, Refrigerant Recovery Procedure.>
- 4) Release the fuel pressure.  
<Ref. to FU(H4SO)-42, RELEASING OF FUEL PRESSURE, PROCEDURE, Fuel.>
- 5) Disconnect the ground cable from battery.
- 6) Open the fuel filler flap lid and remove the fuel filler cap.
- 7) Remove the air intake duct, air cleaner case and air intake chamber.  
<Ref. to IN(H4SO)-7, REMOVAL, Air Intake Duct.>  
<Ref. to IN(H4SO)-5, REMOVAL, Air Cleaner Case.> <Ref. to IN(H4SO)-6, REMOVAL, Air Intake Chamber.>
- 8) Remove the under cover.
- 9) Remove the radiator from vehicle. <Ref. to CO(H4SO)-23, REMOVAL, Radiator.>
- 10) Disconnect the A/C pressure hoses from A/C compressor.
- 11) Remove the air intake chamber stay.



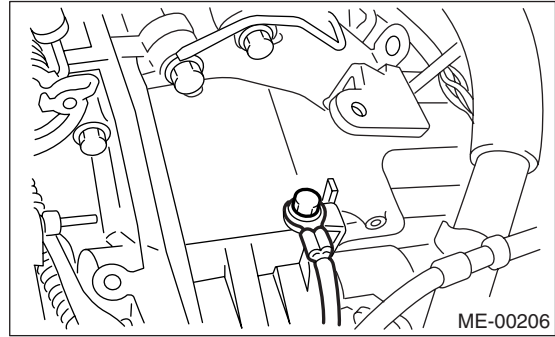
- 12) Disconnect the following connectors and cables.

- (1) Front oxygen (A/F) sensor connector
- (2) Rear oxygen sensor connector

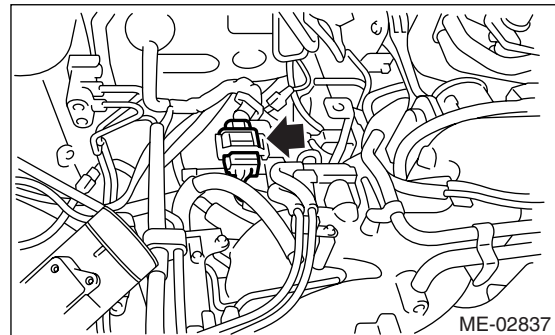


- (A) Front oxygen (A/F) sensor connector  
(B) Rear oxygen sensor connector

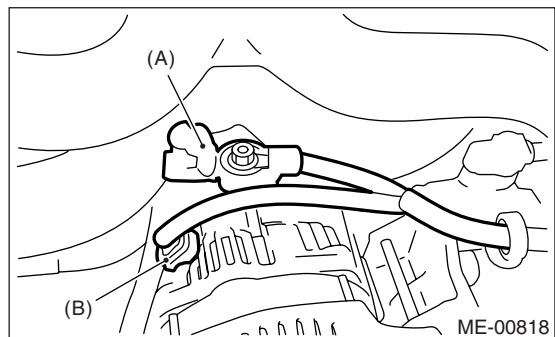
- (3) Engine ground cable



- (4) Engine harness connectors

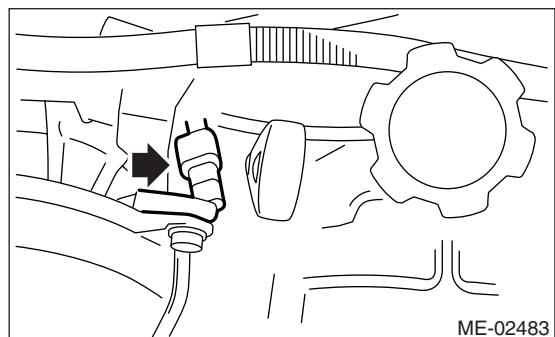


- (5) Generator connector and terminal



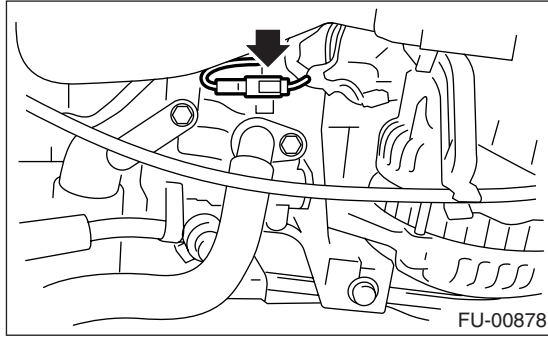
- (A) Terminal  
(B) Generator connector

- (6) A/C compressor connectors

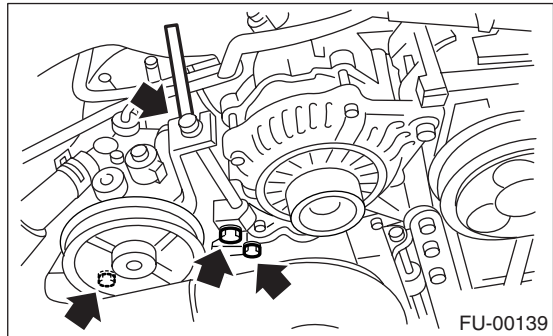




(7) Power steering switch connector

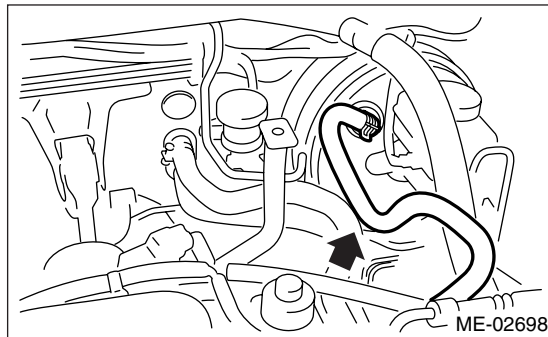


(3) Remove the bolts which install the power steering pump to bracket.

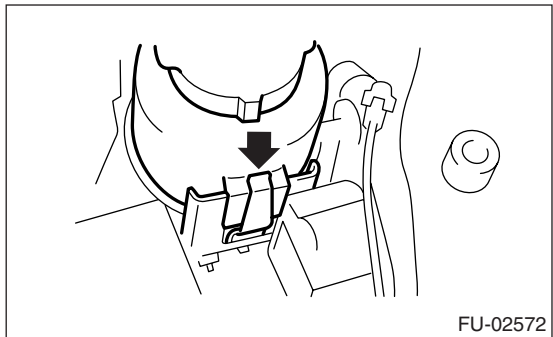


13) Disconnect the following hoses.

(1) Brake booster vacuum hose



(4) Remove the power steering tank from bracket by pulling it upward.

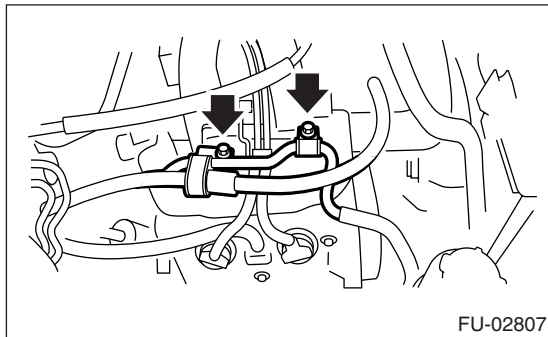


(2) Heater inlet and outlet hoses

14) Remove the power steering pump from bracket.

(1) Loosen the lock bolt and slider bolt, and then remove the front side V-belt. <Ref. to ME(H4SO)-40, FRONT SIDE BELT, REMOVAL, V-belt.>

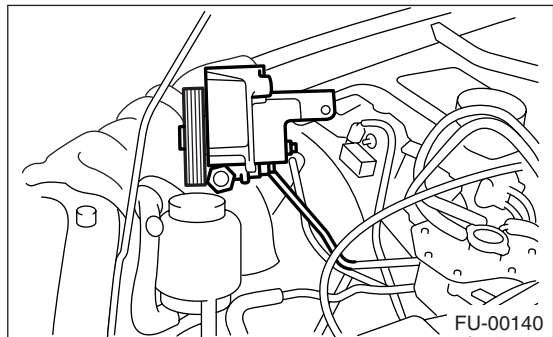
(2) Remove the pipe with bracket.



(5) Move the power steering pump to the right side wheel apron to prevent it from falling.

NOTE:

Use a shop cloth not to scratch.

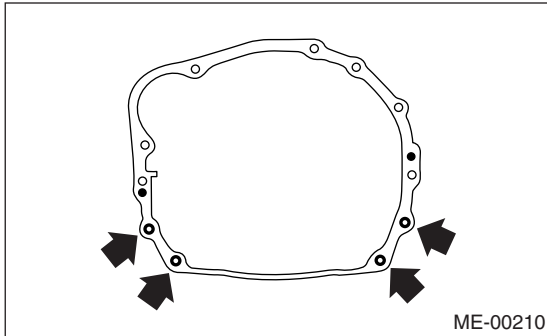


15) Remove the front and center exhaust pipe. <Ref. to EX(H4SO)-4, REMOVAL, Front Exhaust Pipe.>

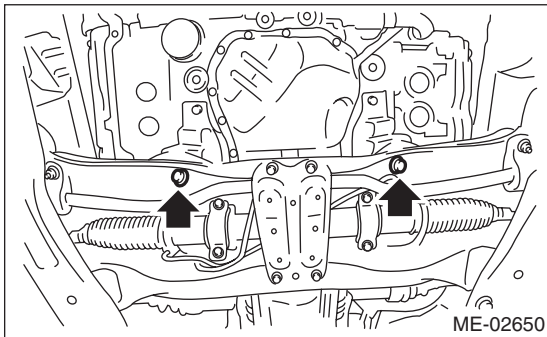
# Engine Assembly

## MECHANICAL

16) Remove the nuts which hold lower side of transmission to engine.



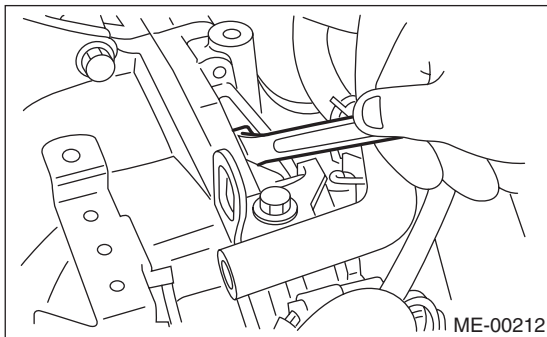
17) Remove the nuts which install front cushion rubber onto front crossmember.



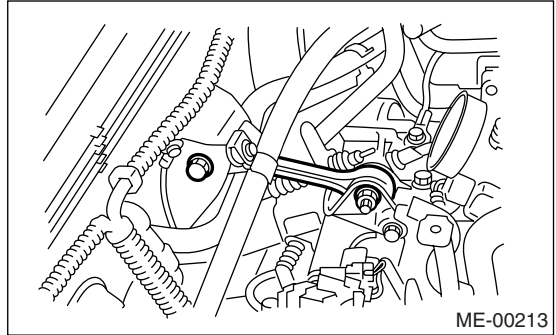
18) Remove the housing cover mounting bolts.

19) Separate the torque converter clutch from drive plate. (AT model)

- (1) Lower the vehicle.
- (2) Remove the service hole plug.
- (3) Remove the bolts which hold torque converter clutch to drive plate.
- (4) Remove all the bolts by rotating them in the direction of engine rotation little by little using a socket wrench.



20) Remove the pitching stopper.

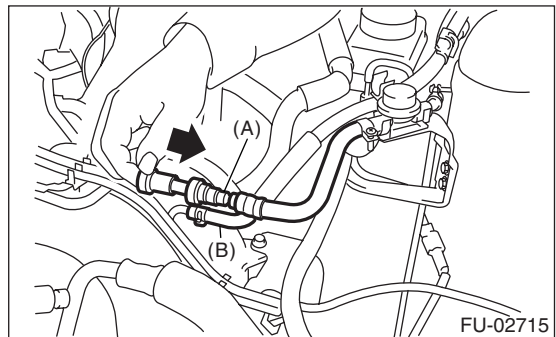


21) Disconnect the fuel delivery hose (A) and evaporation hose (B). <Ref. to FU(H4SO)-57, REMOVAL, Fuel Delivery & Evaporation Lines.>

### CAUTION:

- Catch fuel from the hose into container.
- Disconnect the hose with its end wrapped with cloth to prevent fuel from splashing.

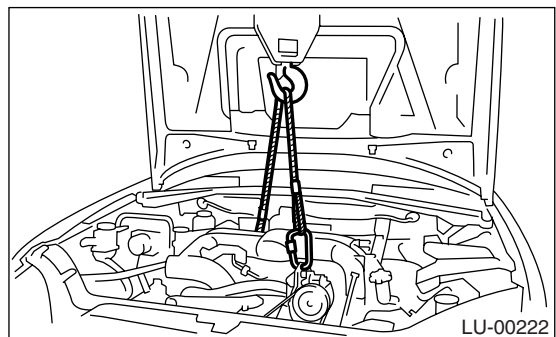
ST 42099AE000 CONNECTOR REMOVER



(A) Fuel delivery hose

(B) Evaporation hose

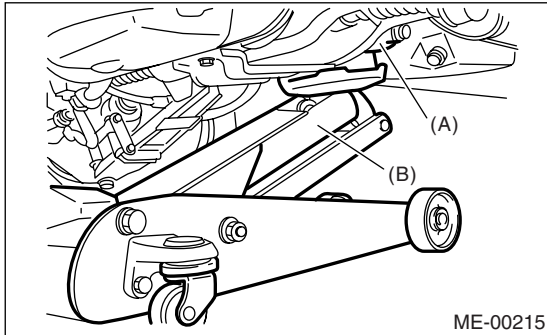
22) Support the engine with a lifting device and wire ropes.



23) Support the transmission with a garage jack.

**CAUTION:**

Doing this is very important because the transmission lowers for its own weight. This work is also of great importance for facilitating reinstallation.

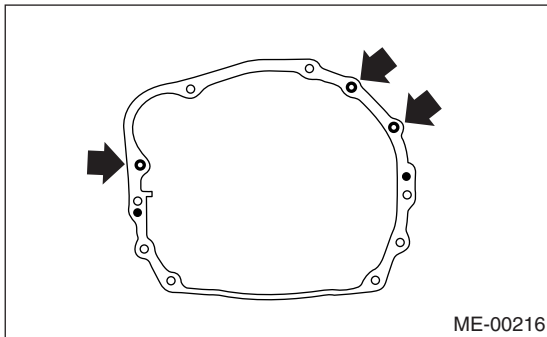


- (A) Transmission
- (B) Garage jack

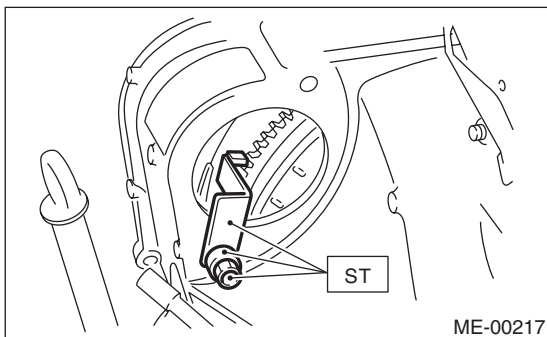
**CAUTION:**

Before removing the engine away from transmission, check to be sure no work has been overlooked.

- 24) Separation of engine and transmission.
  - (1) Remove the starter. <Ref. to SC(H4SO)-8, REMOVAL, Starter.>
  - (2) Remove the bolts which hold upper side of transmission to engine.



- 25) Set the ST to converter case. (AT model)  
ST 498277200 STOPPER SET



- 26) Remove the engine from vehicle.
  - (1) Slightly raise the engine.
  - (2) Raise the transmission with garage jack.

- (3) Move the engine horizontally until main shaft is withdrawn from clutch cover.
- (4) Slowly move the engine away from engine compartment.

**NOTE:**

Be careful not to damage adjacent parts or body panels with crank pulley, oil level gauge, etc.  
27) Remove the front cushion rubbers.

**B: INSTALLATION**

- 1) Install the front cushion rubbers.

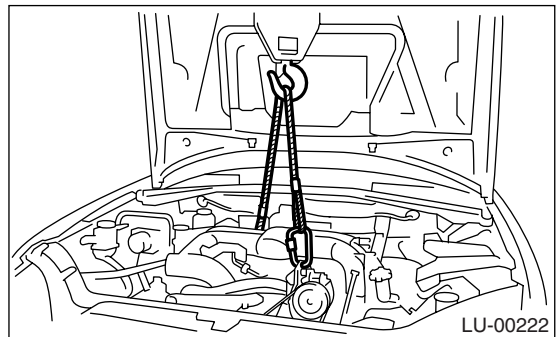
**Tightening torque:**

**35 N·m (3.6 kgf-m, 25.8 ft-lb)**

- 2) Position the engine in engine compartment and align it with transmission.

**NOTE:**

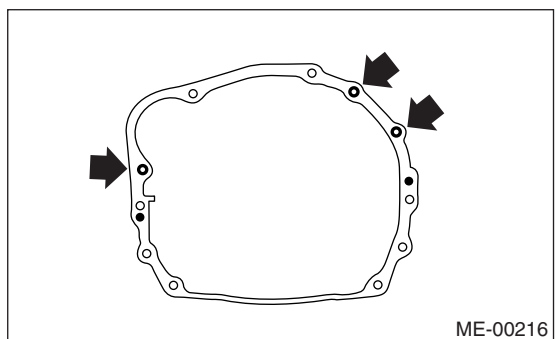
Be careful not to damage adjacent parts or body panels with crank pulley, oil level gauge, etc.



- 3) Apply a small amount of grease to splines of main shaft. (MT model)
- 4) Tighten the bolts which hold upper side of transmission to engine.

**Tightening torque:**

**50 N·m (5.1 kgf-m, 36.9 ft-lb)**



- 5) Remove the lifting device and wire ropes.
- 6) Remove the garage jack.
- 7) Install the pitching stopper.

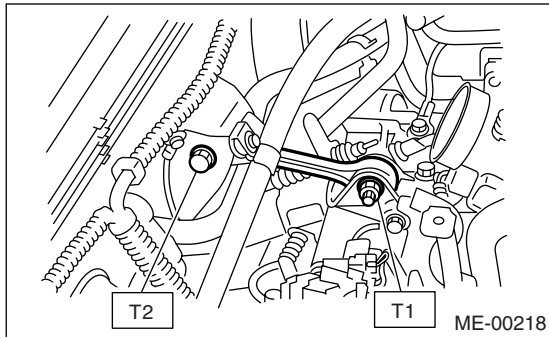
# Engine Assembly

MECHANICAL

## Tightening torque:

**T1: 50 N·m (5.1 kgf-m, 36.9 ft-lb)**

**T2: 58 N·m (5.9 kgf-m, 42.8 ft-lb)**



8) Remove the ST from converter case. (AT model)

### NOTE:

Be careful not to drop the ST into the converter case when removing the ST.

ST 498277200 STOPPER SET

9) Install the starter. <Ref. to SC(H4SO)-8, INSTALLATION, Starter.>

10) Install the torque converter clutch to drive plate. (AT model)

(1) Tighten the bolts which hold torque converter clutch to drive plate.

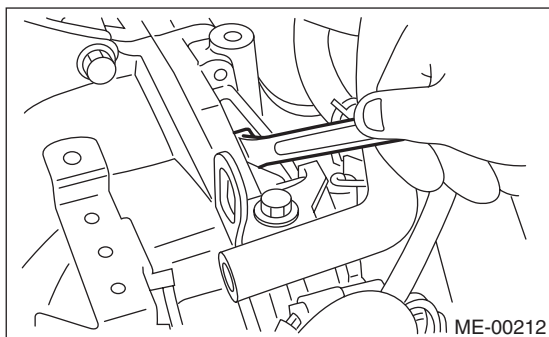
(2) Tighten all the bolts by rotating them in the direction of engine rotation little by little using a socket wrench.

### CAUTION:

Be careful not to drop bolts into the torque converter clutch housing.

## Tightening torque:

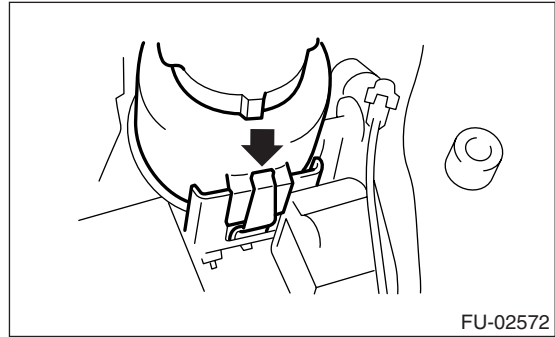
**25 N·m (2.5 kgf-m, 18.4 ft-lb)**



(3) Clog the service hole plug and prevent foreign matters from being mixed.

11) Install the power steering pump on bracket.

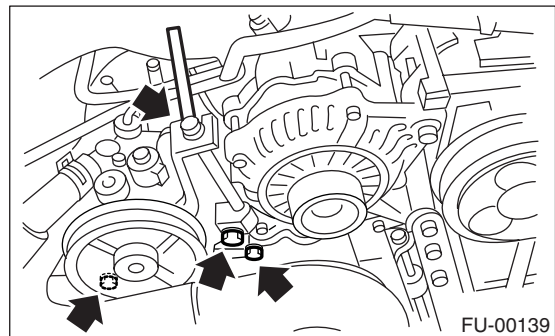
(1) Install the power steering tank to bracket.



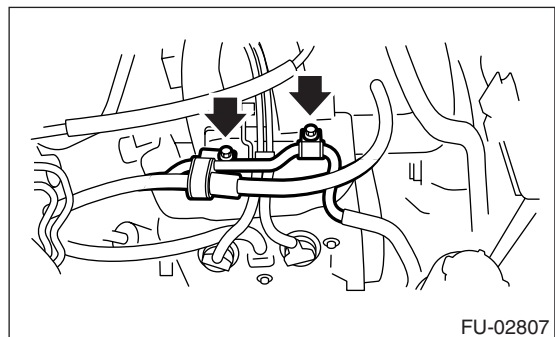
(2) Install the power steering pump on bracket, and tighten the bolts.

## Tightening torque:

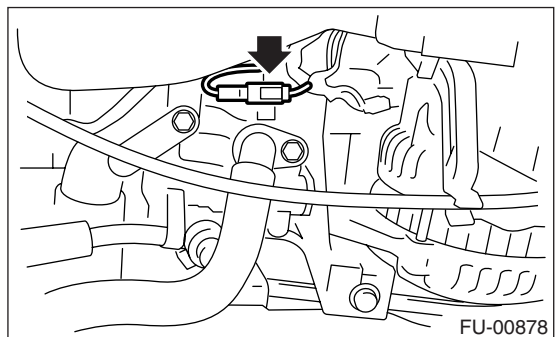
**22 N·m (2.2 kgf-m, 16 ft-lb)**



(3) Install the pipe with their bracket.



(4) Connect the power steering switch connector.

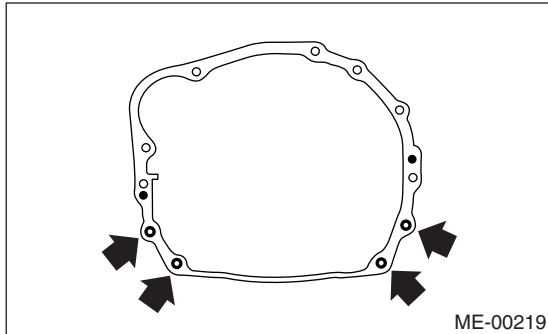


(5) Install the front side belt and adjust it. <Ref. to ME(H4SO)-40, FRONT SIDE BELT, INSTALLATION, V-belt.>

- 12) Lift-up the vehicle.
- 13) Tighten the nuts which hold lower side of transmission to engine.

**Tightening torque:**

**50 N·m (5.1 kgf-m, 36.9 ft-lb)**



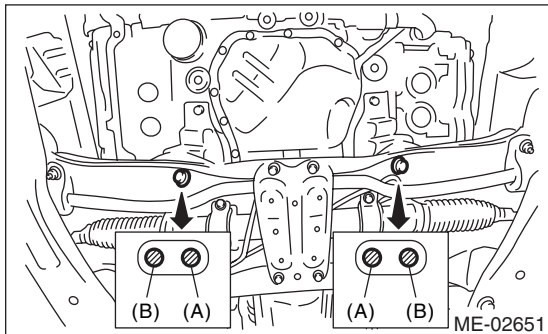
- 14) Tighten the nuts which install the front cushion rubber onto crossmember.

**Tightening torque:**

**85 N·m (8.7 kgf-m, 63 ft-lb)**

**NOTE:**

Make sure the front cushion rubber mounting bolts (A) and locator (B) are securely installed.



- 15) Install the front and center exhaust pipe. <Ref. to EX(H4SO)-4, INSTALLATION, Front Exhaust Pipe.>

- 16) Lower the vehicle.

- 17) Connect the following hoses:

- (1) Fuel delivery hose and evaporation hose
- (2) Heater inlet and outlet hoses
- (3) Brake booster vacuum hose

- 18) Connect the following connectors:

- (1) Front oxygen (A/F) sensor connector
- (2) Rear oxygen sensor connector
- (3) Engine ground cable

**Tightening torque:**

**14 N·m (1.4 kgf-m, 10.1 ft-lb)**

- (4) Engine harness connectors
- (5) Generator connector and terminal
- (6) A/C compressor connector

- 19) Install the air intake chamber stay.

**Tightening torque:**

**16 N·m (1.6 kgf-m, 11.6 ft-lb)**

- 20) Tighten the engine ground cable.

**Tightening torque:**

**14 N·m (1.4 kgf-m, 10.1 ft-lb)**

- 21) Install the A/C pressure hoses. <Ref. to AC-36, INSTALLATION, Hose and Tube.>
- 22) Install the radiator to vehicle. <Ref. to CO(H4SO)-24, INSTALLATION, Radiator.>
- 23) Install the air intake duct, air cleaner case and air intake chamber. <Ref. to IN(H4SO)-7, INSTALLATION, Air Intake Duct.> <Ref. to IN(H4SO)-5, INSTALLATION, Air Cleaner Case.> <Ref. to IN(H4SO)-6, INSTALLATION, Air Intake Chamber.>
- 24) Install the under cover.
- 25) Install the battery in the vehicle, and connect cables.
- 26) Fill engine coolant. <Ref. to CO(H4SO)-16, FILLING OF ENGINE COOLANT, REPLACEMENT, Engine Coolant.>
- 27) Check the ATF level and replenish it if necessary. <Ref. to 4AT-30, INSPECTION, Automatic Transmission Fluid.>
- 28) Charge the A/C system with refrigerant. <Ref. to AC-21, PROCEDURE, Refrigerant Charging Procedure.>
- 29) Remove the front hood stay, and close the front hood.
- 30) Take off the vehicle from a lift.

## C: INSPECTION

- 1) Check pipes, hoses, connectors and clamps are installed firmly.
- 2) Check that the engine coolant and ATF are at specified levels.
- 3) Start the engine, and make sure that no leaks of exhaust gas, engine coolant and fuel, noise and vibrations.

## 10.Engine Mounting

### A: REMOVAL

- 1) Remove the engine assembly. <Ref. to ME(H4SO)-32, REMOVAL, Engine Assembly.>
- 2) Remove the engine mounting from engine assembly.

### B: INSTALLATION

Install in the reverse order of removal.

#### *Tightening torque:*

#### *Engine mounting:*

*35 N·m (3.6 kgf-m, 25.8 ft-lb)*

### C: INSPECTION

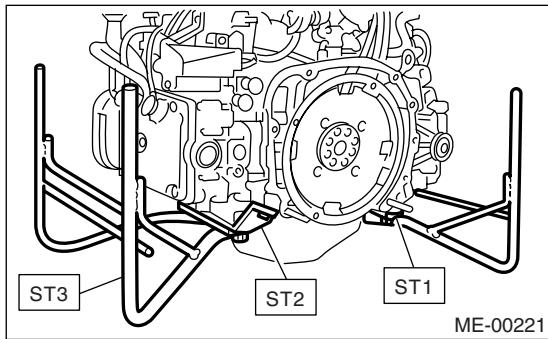
Make sure that no crack or other damages do not exist.

## 11. Preparation for Overhaul

### A: PROCEDURE

1) After removing the engine from the body, secure it in the ST shown below.

ST1	498457000	ENGINE STAND ADAPTER RH
ST2	498457100	ENGINE STAND ADAPTER LH
ST3	499817100	ENGINE STAND



2) In this section the procedures described under each index are all connected and stated in order. The procedure for overhauling of the engine will be completed when you go through all steps in the process.

Therefore, in this section, to conduct the particular procedure within the flow of a section, you need to go back and conduct the procedure described previously in order to do that particular procedure.

## 12.V-belt

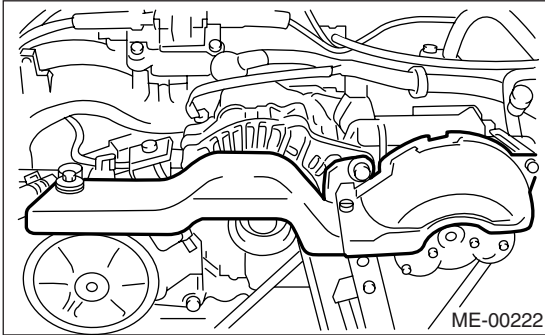
### A: REMOVAL

**NOTE:**

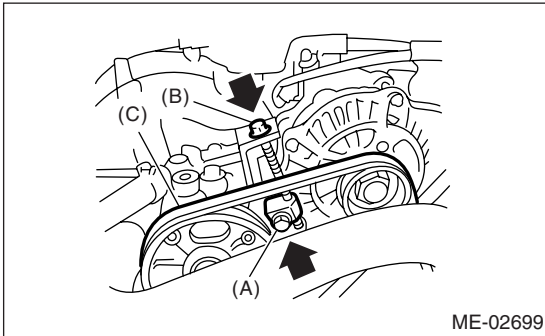
Perform the following procedures with the engine installed to the body.

#### 1. FRONT SIDE BELT

- 1) Remove the V-belt covers.

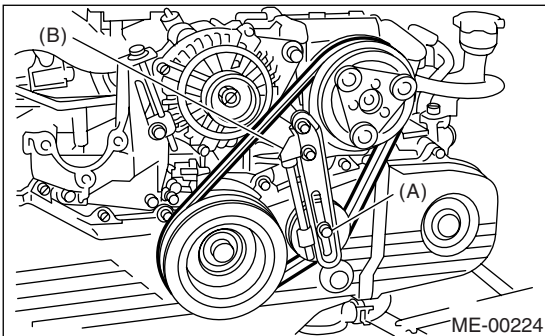


- 2) Loosen the lock bolt (A).
- 3) Loosen the slider bolt (B).
- 4) Remove the front side belt (C).



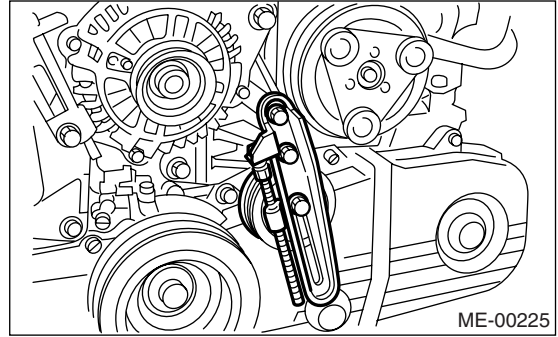
#### 2. REAR SIDE BELT

- 1) Loosen the lock nut (A).
- 2) Loosen the slider bolt (B).



- 3) Remove the rear side belt.

- 4) Remove the belt tensioner.



### B: INSTALLATION

**NOTE:**

Wipe off any oil or water on the belt and pulley.

#### 1. FRONT SIDE BELT

- 1) Install a V belt (C), and tighten the slider bolt so as to obtain the specified belt tension. <Ref. to ME(H4SO)-41, INSPECTION, V-belt.>
- 2) Tighten the lock bolt (A).
- 3) Tighten the slider bolt (B).

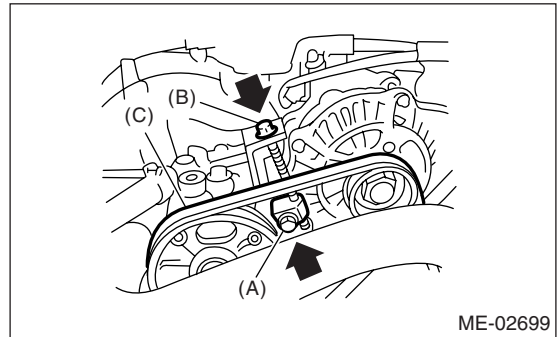
**Tightening torque:**

**Lock bolt (A):**

**25 N·m (2.5 kgf-m, 18.4 ft-lb)**

**Slider bolt (B):**

**8 N·m (0.8 kgf-m, 5.9 ft-lb)**



#### 2. REAR SIDE BELT

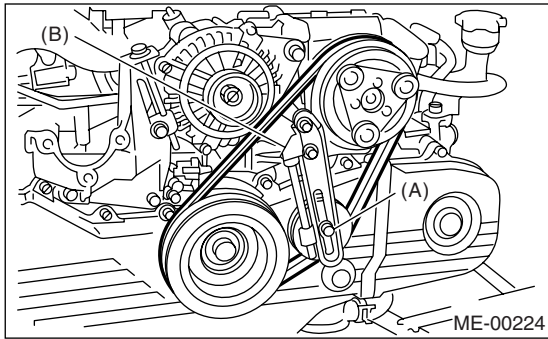
- 1) Install the belt tensioner.
- 2) Install a V belt, and tighten the slider bolt (B) so as to obtain the specified belt tension. <Ref. to ME(H4SO)-41, INSPECTION, V-belt.>
- 3) Tighten the lock nut (A).



**Tightening torque:**

**Lock nut (A):**

**23 N·m (2.3 kgf·m, 17.0 ft-lb)**



**C: INSPECTION**

- 1) Replace the belts, if cracks, fraying or wear is found.
- 2) Remove the V-belt cover and reservoir tank. (with belt tension gauge)
- 3) Check the V-belt tension and adjust it if necessary by changing the generator installing position or idler pulley installing position.

**Belt tension (with belt tension gauge)**

**(A)**

**When installing new parts:**

**618 — 755 N (63 — 77 kgf, 139 — 170 lbf)**

**At inspection:**

**490 — 640 N (50 — 65 kgf, 110 — 144 lbf)**

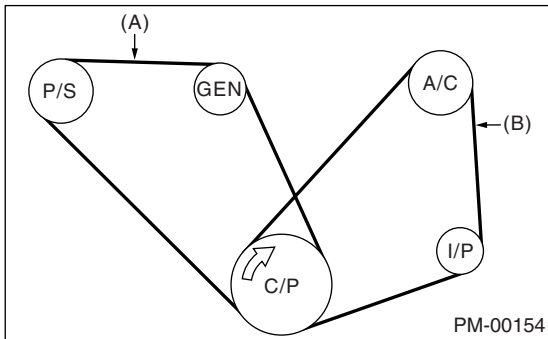
**(B)**

**When installing new parts:**

**740 — 880 N (75 — 90 kgf, 166 — 198 lbf)**

**At inspection:**

**350 — 450 N (36 — 46 kgf, 79 — 101 lbf)**



- (A) Front side belt
- (B) Rear side belt
- C/P Crank pulley
- GEN Generator
- P/S Power steering oil pump pulley
- A/C Air conditioning compressor pulley
- I/P Idler pulley

**Belt tension (without belt tension gauge)**

**(A)**

**When installing new parts:**

**7 — 9 mm (0.276 — 0.354 in)**

**At inspection:**

**9 — 11 mm (0.354 — 0.433 in)**

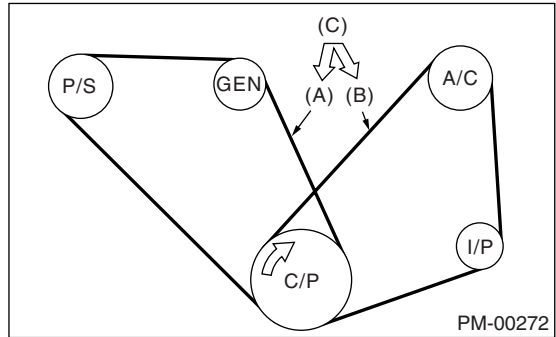
**(B)**

**When installing new parts:**

**7.5 — 8.5 mm (0.295 — 0.335 in)**

**At inspection:**

**9.0 — 10.0 mm (0.354 — 0.394 in)**



- (A) Front side belt
- (B) Rear side belt
- (C) 98 N (10 kgf, 22 lbf)
- C/P Crank pulley
- GEN Generator
- P/S Power steering oil pump pulley
- A/C Air conditioning compressor pulley
- I/P Idler pulley

# Crank Pulley

MECHANICAL

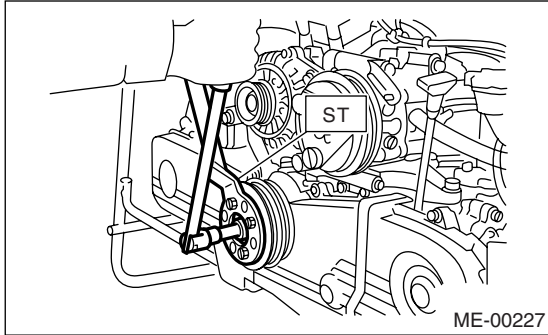
## 13. Crank Pulley

### A: REMOVAL

1) Remove the V-belts. <Ref. to ME(H4SO)-40, REMOVAL, V-belt.>

2) Remove the crank pulley bolt. To lock the crankshaft, use ST.

ST 499977100 CRANK PULLEY WRENCH



3) Remove the crank pulley.

### B: INSTALLATION

1) Install the crank pulley.

2) Install the pulley bolt.

To lock the crankshaft, use ST.

ST 499977100 CRANK PULLEY WRENCH

(1) Clean the crankshaft thread using compressed air.

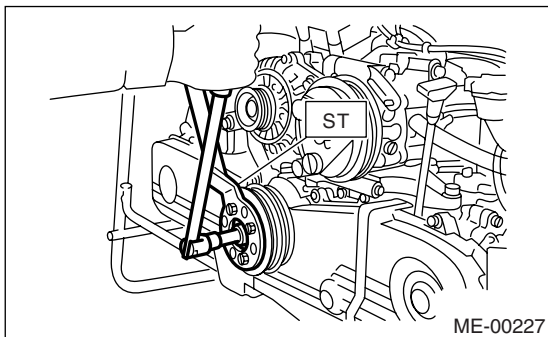
(2) Apply engine oil to the crank pulley bolt seat and thread.

(3) Tighten the bolts temporarily with tightening torque of 44 N·m (4.5 kgf·m, 33 ft·lb).

(4) Tighten the crank pulley bolts.

**Tightening torque:**

**180 N·m (18.4 kgf·m, 132.8 ft·lb)**



3) Confirm that the tightening angle of crank pulley bolt is 65° or more. If the tightening angle of crank pulley bolt is less than 65°, conduct the following procedures.

(1) Replace the crank pulley bolts and clean them.

**Crank pulley bolt:**

**Part No. 12369AA011**

(2) Clean the crankshaft thread using compressed air.

(3) Apply engine oil to the crank pulley bolt seat and thread.

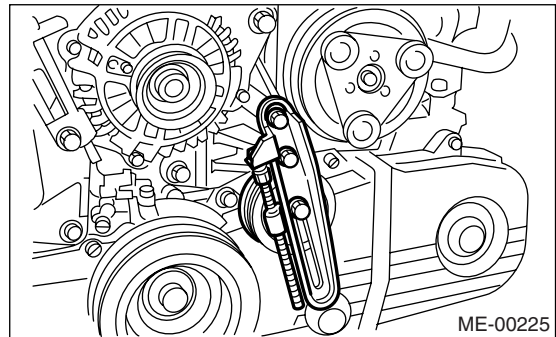
(4) Tighten the bolts temporarily with tightening torque of 44 N·m (4.5 kgf·m, 33 ft·lb).

(5) Tighten the crank pulley bolts keeping them in an angle between 65° and 75°.

**NOTE:**

Conduct the tightening procedures by confirming the turning angle of crank pulley bolt referring to the gauge indicated on timing belt cover.

4) Install the belt tensioner.



5) Install the V-belts. <Ref. to ME(H4SO)-40, INSTALLATION, V-belt.>

### C: INSPECTION

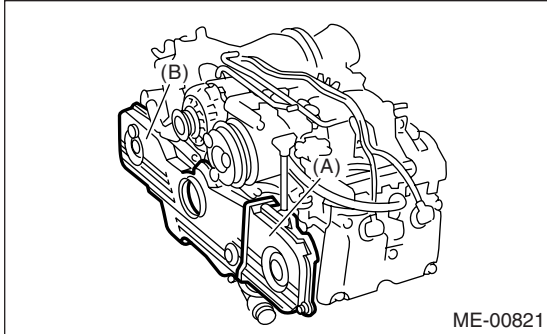
1) Make sure the V-belt is not worn or otherwise damaged.

2) Check the tension of the belt. <Ref. to ME(H4SO)-41, INSPECTION, V-belt.>

## 14. Timing Belt Cover

### A: REMOVAL

- 1) Remove the V-belts. <Ref. to ME(H4SO)-40, REMOVAL, V-belt.>
- 2) Remove the crank pulley. <Ref. to ME(H4SO)-42, REMOVAL, Crank Pulley.>
- 3) Remove the timing belt cover (LH).
- 4) Remove the front timing belt cover.



- (A) Timing belt cover (LH)  
 (B) Front timing belt cover

### B: INSTALLATION

- 1) Install the front timing belt cover.

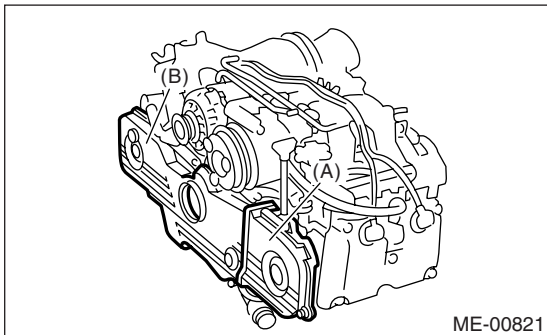
**Tightening torque:**

**5 N·m (0.5 kgf·m, 3.6 ft·lb)**

- 2) Install the timing belt cover (LH).

**Tightening torque:**

**5 N·m (0.5 kgf·m, 3.6 ft·lb)**



- (A) Timing belt cover (LH)  
 (B) Front timing belt cover

- 3) Install the crank pulley. <Ref. to ME(H4SO)-42, INSTALLATION, Crank Pulley.>
- 4) Install the V-belts. <Ref. to ME(H4SO)-40, INSTALLATION, V-belt.>

### C: INSPECTION

Check the cover for damage.

# Timing Belt

MECHANICAL

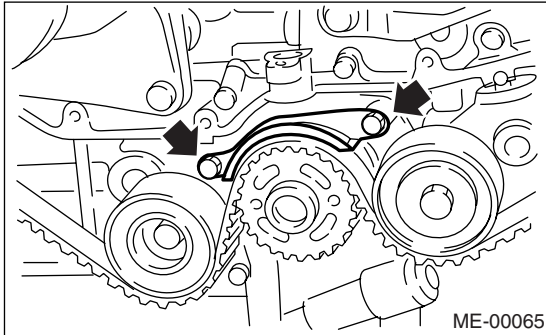
ST 499987500 CRANKSHAFT SOCKET

## 15. Timing Belt

### A: REMOVAL

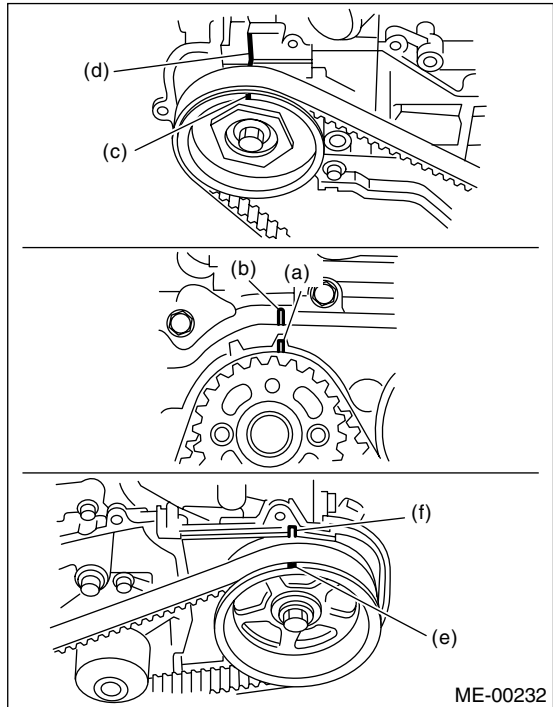
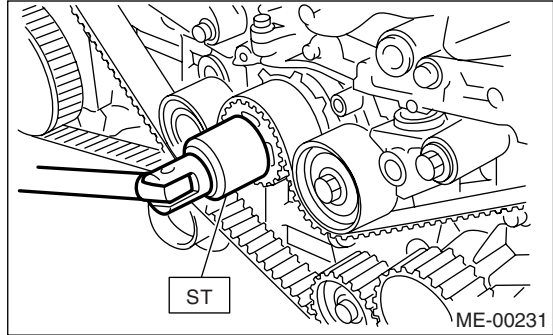
#### 1. TIMING BELT

- 1) Remove the V-belts. <Ref. to ME(H4SO)-40, REMOVAL, V-belt.>
- 2) Remove the crank pulley. <Ref. to ME(H4SO)-42, REMOVAL, Crank Pulley.>
- 3) Remove the timing belt cover. <Ref. to ME(H4SO)-43, REMOVAL, Timing Belt Cover.>
- 4) Remove the timing belt guide. (MT model)

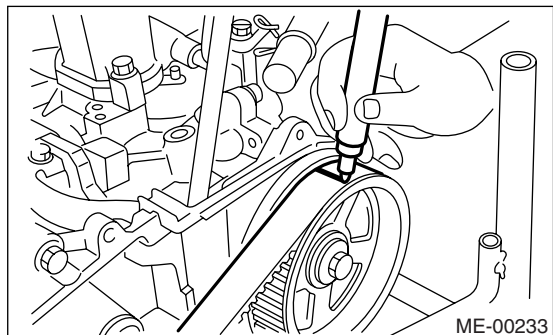


5) If the alignment mark or arrow mark (which indicates rotation direction) on timing belt fade away, put new marks before removing the timing belt as shown in procedures below.

- (1) To turn crankshaft, use the ST: Align the mark (a) of sprocket to the cylinder block notch (b), and then ensure the right side cam sprocket mark (c), cam cap and cylinder head matching surface (d) or left side cam sprocket mark (e), timing belt cover notch (f) are properly adjusted.



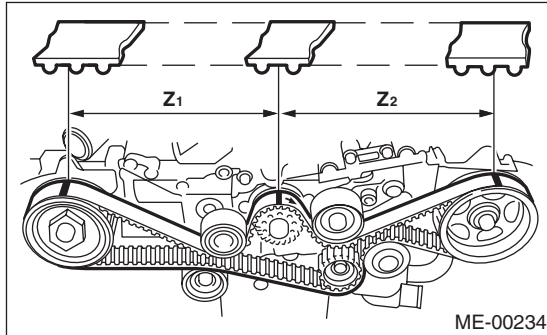
(2) Using white paint, put alignment marks or arrow marks on the timing belts in relation to the crank sprocket and cam sprockets.



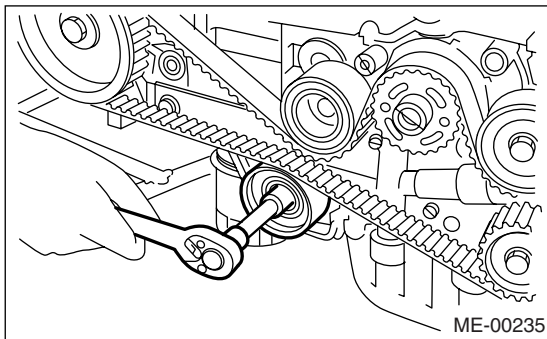
**Specified data:**

**Z<sub>1</sub>: Length of 46.8 teeth**

**Z<sub>2</sub>: Length of 43.7 teeth**

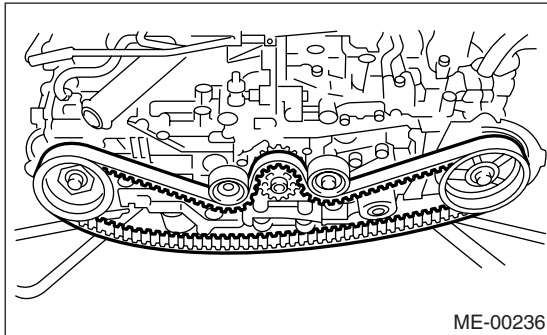


6) Remove the belt idler (No. 2).



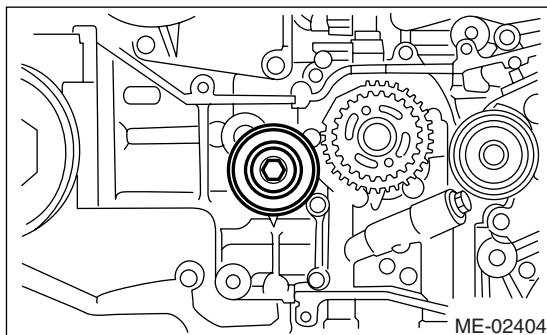
7) Remove the belt idler No. 2.

8) Remove the timing belt.

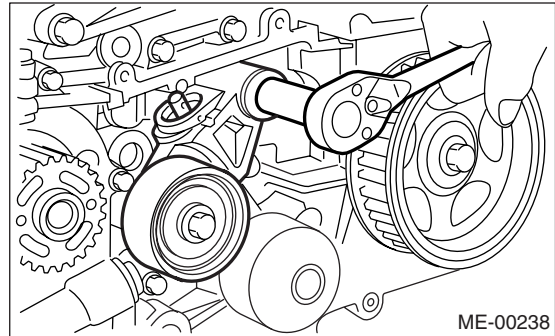


## 2. BELT IDLER AND AUTOMATIC BELT TENSION ADJUSTER ASSEMBLY

1) Remove the belt idler (No. 1).



2) Remove the automatic belt tension adjuster assembly.



## B: INSTALLATION

### 1. AUTOMATIC BELT TENSION ADJUSTER ASSEMBLY AND BELT IDLER

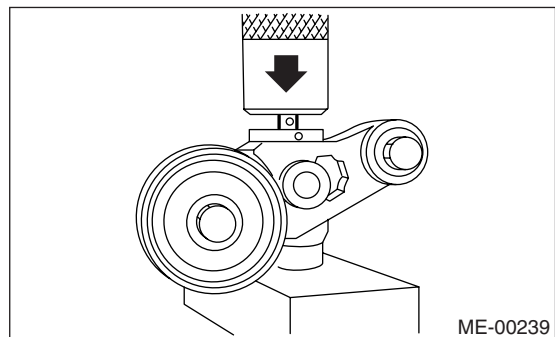
1) Preparation for installation of automatic belt tension adjuster assembly.

**CAUTION:**

- Always use a vertical type pressing tool to move the adjuster rod down.
- Do not use a lateral type vise.
- Push the adjuster rod vertically.
- Press-in the push adjuster rod gradually taking more than three minutes.
- Do not allow press pressure to exceed 9,807 N (1,000 kgf, 2,205 lbf).
- Press the adjuster rod as far as the end surface of the cylinder. Do not press the adjuster rod into cylinder. Doing so may damage the cylinder.
- Do not release the press pressure until stopper pin is completely inserted.

(1) Attach the automatic belt tension adjuster assembly to the vertical pressing tool.

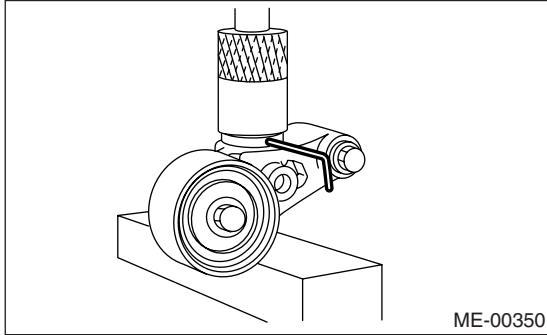
(2) Slowly move the adjuster rod down with a pressure of more than 294 N (30 kgf, 66 lbf) until the adjuster rod is aligned with the stopper pin hole in the cylinder.



# Timing Belt

## MECHANICAL

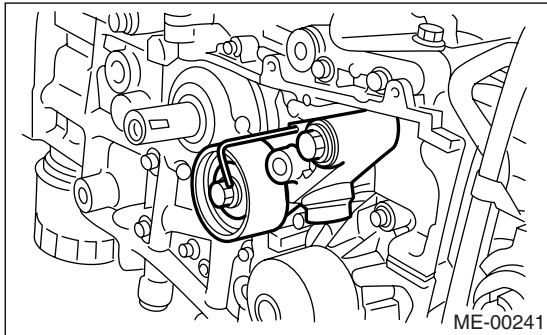
(3) With a 2 mm (0.08 in) dia. stopper pin or a 2 mm (0.08 in) (nominal) dia. hex wrench inserted into the stopper pin hole in cylinder, secure the adjuster rod.



2) Install the automatic belt tension adjuster assembly.

### **Tightening torque:**

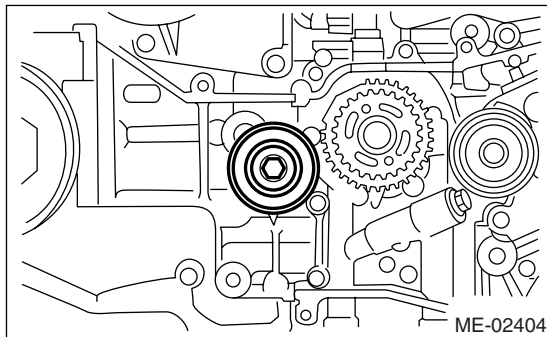
**39 N·m (4.0 kgf·m, 28.9 ft·lb)**



3) Install the belt idler (No. 1).

### **Tightening torque:**

**39 N·m (4.0 kgf·m, 28.9 ft·lb)**



## 2. TIMING BELT

1) Prepare for installation of automatic belt tension adjuster assembly. <Ref. to ME(H4SO)-45, AUTOMATIC BELT TENSION ADJUSTER ASSEMBLY AND BELT IDLER, INSTALLATION, Timing Belt.>

2) Installation of timing belt

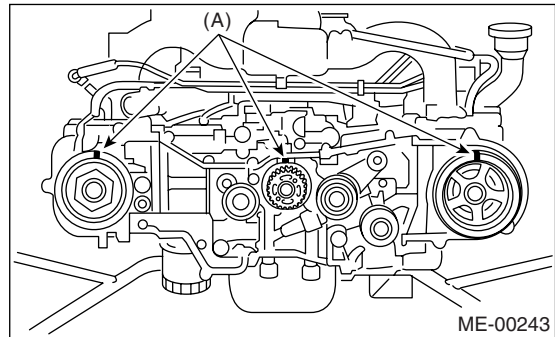
(1) Turn the cam sprocket No. 2 using ST1, and turn the cam sprocket No. 1 using ST2 so that their alignment marks (A) come to top positions.

ST1 18231AA010 CAM SPROCKET WRENCH

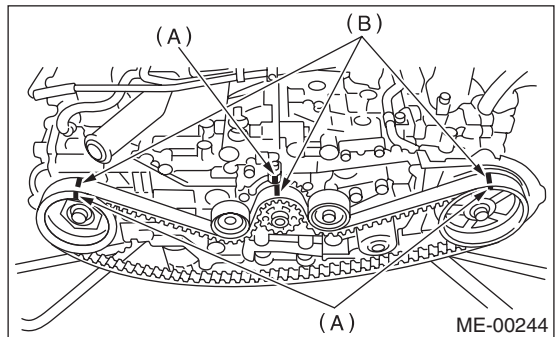
### NOTE:

CAM SPROCKET WRENCH (499207100) can also be used.

ST2 499207400 CAM SPROCKET WRENCH



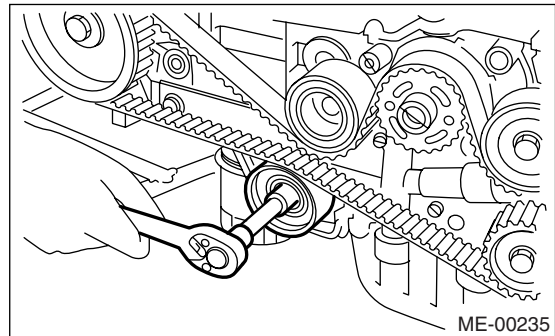
(2) While aligning the alignment mark (B) on timing belt with the mark (A) on sprockets, position the timing belt properly.



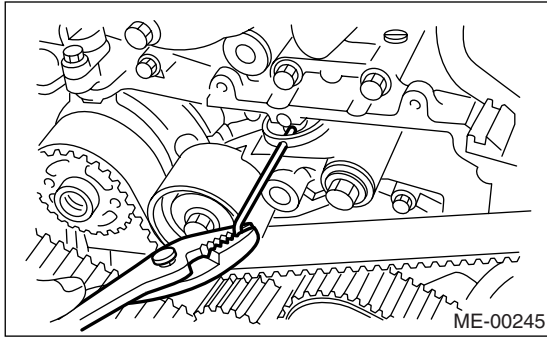
3) Install the belt idler (No. 2).

### **Tightening torque:**

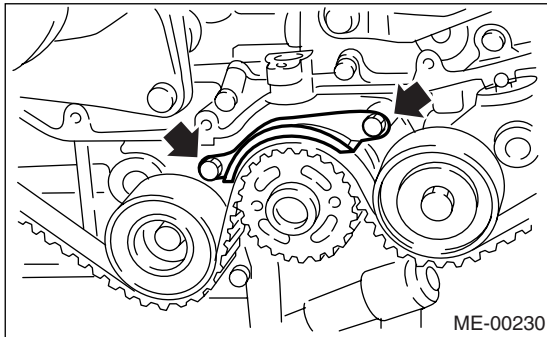
**39 N·m (4.0 kgf·m, 28.9 ft·lb)**



4) After ensuring the marks on timing belt and cam sprockets are aligned, remove the stopper pin from belt tension adjuster.



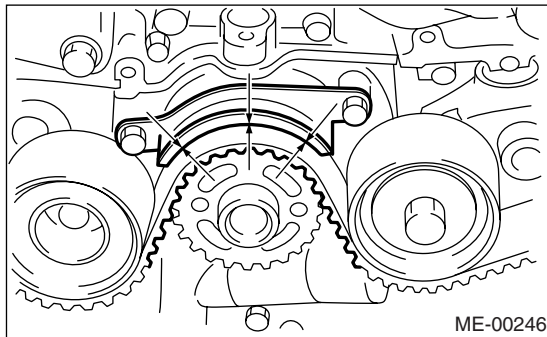
5) Install the timing belt guide. (MT model)  
 (1) Temporarily tighten the timing belt guide mounting bolts.



(2) Check and adjust the clearance between timing belt and timing belt guide by using thickness gauge.

**Clearance:**

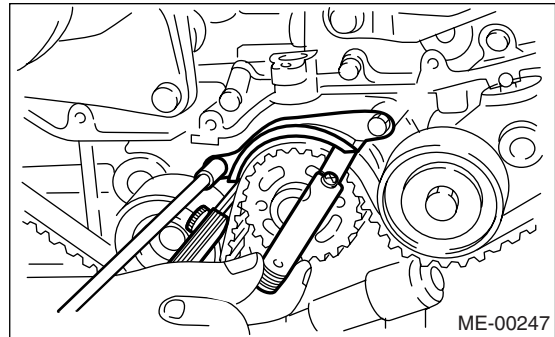
**1.0±0.5 mm (0.039±0.020 in)**



(3) Tighten the timing belt guide mounting bolts.

**Tightening torque:**

**9.75 N·m (1.0 kgf·m, 7.2 ft·lb)**



- 6) Install the timing belt cover. <Ref. to ME(H4SO)-43, INSTALLATION, Timing Belt Cover.>
- 7) Install the crank pulley. <Ref. to ME(H4SO)-42, INSTALLATION, Crank Pulley.>
- 8) Install the V-belts. <Ref. to ME(H4SO)-40, INSTALLATION, V-belt.>

**C: INSPECTION**

**1. TIMING BELT**

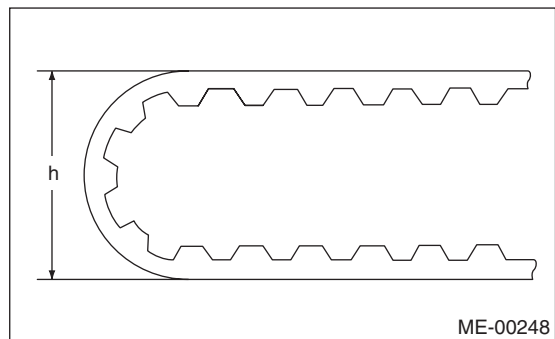
- 1) Check the timing belt teeth for breaks, cracks and wear. If any fault is found, replace the belt.
- 2) Check the condition of the backside of belt. If cracks are found, replace the belt.

**CAUTION:**

- Be careful not to let oil, grease or coolant contact the belt. Remove quickly and thoroughly if this happens.
- Do not bend the timing belt sharply.

**In radial diameter h:**

**60 mm (2.36 in) or more**



# Timing Belt

MECHANICAL

## 2. AUTOMATIC BELT TENSION ADJUST-ER

1) Visually check the oil seals for leaks, and rod ends for abnormal wear or scratches. If necessary, replace the automatic belt tension adjuster assembly.

### NOTE:

Slight traces of oil at rod's oil seal does not indicate a problem.

2) Check that the adjuster rod does not move when a pressure of 294 N (30 kgf, 66 lbf) is applied to it. This is to check adjuster rod stiffness.

3) If the adjuster rod is not stiff and moves freely when applying 294 N (30 kgf, 66 lbf), check it using the following procedures:

(1) Slowly press the adjuster rod down to the end surface of the cylinder. Repeat this operation two to three times.

(2) With the adjuster rod moved all the way up, apply a pressure of 294 N (30 kgf, 66 lbf) to it. Check the adjuster rod stiffness.

(3) If the adjuster rod is not stiff and moves down, replace the automatic belt tension adjuster assembly with a new one.

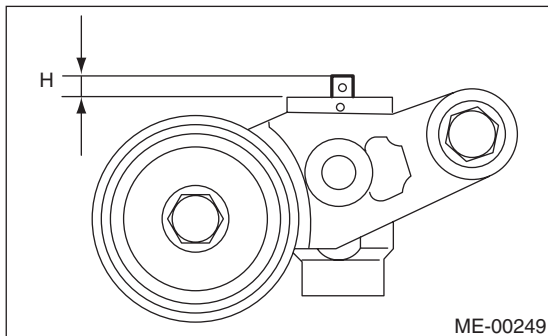
### CAUTION:

- Always use a vertical type pressing tool to move the adjuster rod down.
- Do not use a lateral type vise.
- Push the adjuster rod vertically.
- Press the adjuster rod gradually taking more than three minutes.
- Do not allow press pressure to exceed 9,807 N (1,000 kgf, 2,205 lbf).
- Press the adjuster rod as far as the end surface of cylinder. Do not press the adjuster rod into cylinder. Doing so may damage the cylinder.

4) Measure the amount of rod protrusion beyond the body. If it is not within specifications, replace with a new one.

### Amount of rod protrusion H:

$5.7 \pm 0.5 \text{ mm}$  ( $0.224 \pm 0.020 \text{ in}$ )



## 3. BELT TENSION PULLEY

1) Check the mating surfaces of timing belt and contact point of adjuster rod for abnormal wear or scratches. Replace the automatic belt tension adjuster assembly if faulty.

2) Check the belt tension pulley for smooth rotation. Replace if noise or excessive play occurs.

3) Check the belt tension pulley for grease leakage.

## 4. BELT IDLER

1) Check the belt idler for smooth rotation. Replace if noise or excessive play occurs.

2) Check the outer contacting surfaces of idler pulley for abnormal wear and scratches.

3) Check the belt idler for grease leakage.



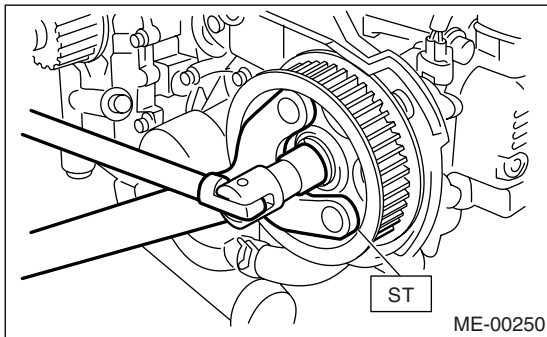
## 16. Cam Sprocket

### A: REMOVAL

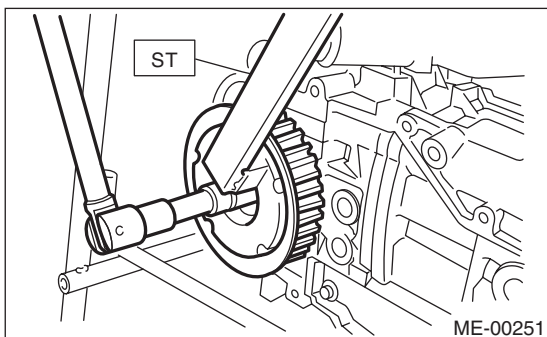
- 1) Remove the V-belts. <Ref. to ME(H4SO)-40, REMOVAL, V-belt.>
  - 2) Remove the crank pulley. <Ref. to ME(H4SO)-42, REMOVAL, Crank Pulley.>
  - 3) Remove the timing belt cover. <Ref. to ME(H4SO)-43, REMOVAL, Timing Belt Cover.>
  - 4) Remove the timing belt. <Ref. to ME(H4SO)-44, REMOVAL, Timing Belt.>
  - 5) Remove the camshaft position sensor. <Ref. to FU(H4SO)-24, REMOVAL, Camshaft Position Sensor.>
  - 6) Remove the cam sprocket No. 2. To lock the camshaft, use ST.
- ST 18231AA010 CAM SPROCKET WRENCH

#### NOTE:

CAM SPROCKET WRENCH (499207100) can also be used.



- 7) Remove the cam sprocket No. 1. To lock the camshaft, use ST.
- ST 499207400 CAM SPROCKET WRENCH



### B: INSTALLATION

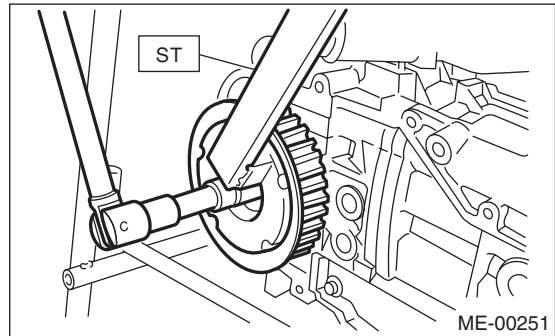
- 1) Install the cam sprocket No. 1. To lock the camshaft, use ST.
- ST 499207400 CAM SPROCKET WRENCH

#### Tightening torque:

**78 N·m (8.0 kgf-m, 57.9 ft-lb)**

#### NOTE:

Do not confuse left and right side cam sprockets during installation. Identify by indication of L or R.



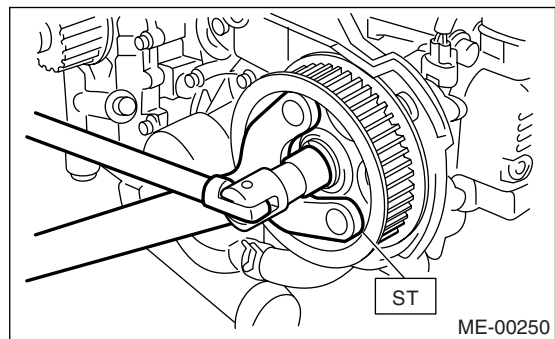
- 2) Install the cam sprocket No. 2. To lock the camshaft, use ST.
- ST 18231AA010 CAM SPROCKET WRENCH

#### NOTE:

CAM SPROCKET WRENCH (499207100) can also be used.

#### Tightening torque:

**78 N·m (8.0 kgf-m, 57.9 ft-lb)**



- 3) Install the camshaft position sensor. <Ref. to FU(H4SO)-24, INSTALLATION, Camshaft Position Sensor.>
- 4) Install the timing belt. <Ref. to ME(H4SO)-45, INSTALLATION, Timing Belt.>
- 5) Install the timing belt cover. <Ref. to ME(H4SO)-43, INSTALLATION, Timing Belt Cover.>
- 6) Install the crank pulley. <Ref. to ME(H4SO)-42, INSTALLATION, Crank Pulley.>
- 7) Install the V-belts. <Ref. to ME(H4SO)-40, INSTALLATION, V-belt.>

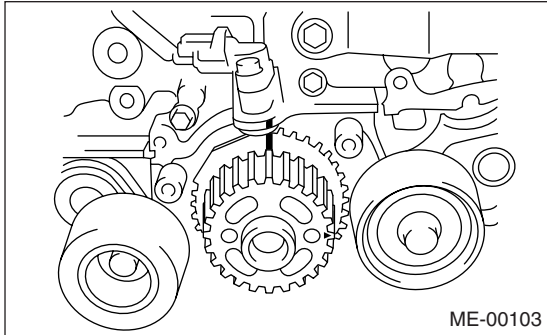
### C: INSPECTION

- 1) Check the cam sprocket teeth for abnormal wear and scratches.
- 2) Make sure there is no free play between cam sprocket and key.
- 3) Check the cam sprocket protrusion used for sensor for damage and contamination of foreign matter.

## 17.Crank Sprocket

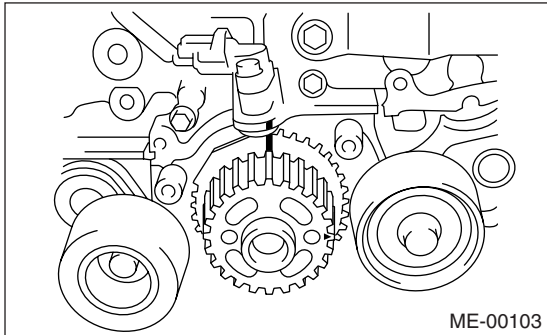
### A: REMOVAL

- 1) Remove the V-belt. <Ref. to ME(H4SO)-40, REMOVAL, V-belt.>
- 2) Remove the crank pulley. <Ref. to ME(H4SO)-42, REMOVAL, Crank Pulley.>
- 3) Remove the timing belt cover. <Ref. to ME(H4SO)-43, REMOVAL, Timing Belt Cover.>
- 4) Remove the timing belt. <Ref. to ME(H4SO)-44, REMOVAL, Timing Belt.>
- 5) Remove the crank sprocket.



### B: INSTALLATION

- 1) Install the crank sprocket.



- 2) Install the timing belt. <Ref. to ME(H4SO)-45, INSTALLATION, Timing Belt.>
- 3) Install the timing belt cover. <Ref. to ME(H4SO)-43, INSTALLATION, Timing Belt Cover.>
- 4) Install the crank pulley. <Ref. to ME(H4SO)-42, INSTALLATION, Crank Pulley.>
- 5) Install the V-belts. <Ref. to ME(H4SO)-40, INSTALLATION, V-belt.>

### C: INSPECTION

- 1) Check the crank sprocket teeth for abnormal wear and scratches.
- 2) Make sure there is no free play between crank sprocket and key.
- 3) Check the crank sprocket protrusion used for sensor for damage and contamination of foreign matter.

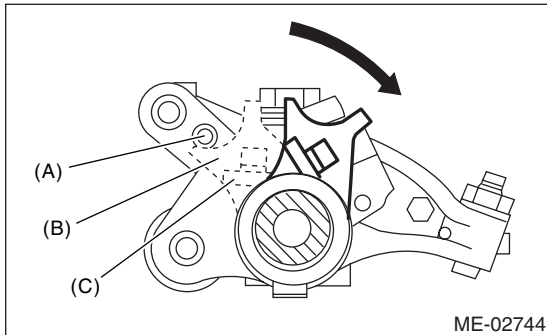
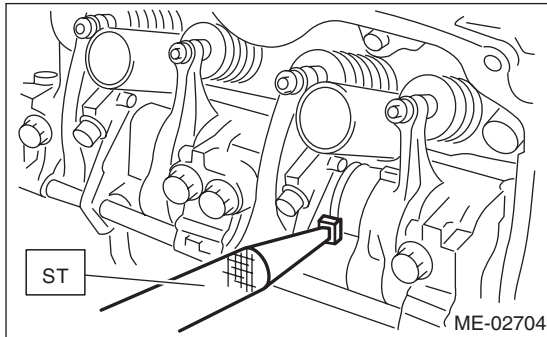
## 18. Valve Rocker Assembly

### A: REMOVAL

- 1) Remove the V-belts. <Ref. to ME(H4SO)-40, REMOVAL, V-belt.>
- 2) Remove the crank pulley. <Ref. to ME(H4SO)-42, REMOVAL, Crank Pulley.>
- 3) Remove the timing belt cover. <Ref. to ME(H4SO)-43, REMOVAL, Timing Belt Cover.>
- 4) Remove the timing belt. <Ref. to ME(H4SO)-44, REMOVAL, Timing Belt.>
- 5) Remove the cam sprocket. <Ref. to ME(H4SO)-49, REMOVAL, Cam Sprocket.>
- 6) Disconnect the PCV hose and remove the rocker cover.
- 7) Remove the valve rocker assembly.

- (1) Using ST, rotate the spring stopper in the arrow direction to remove it from adjuster pin.

ST 18258AA000 SPRING INSTALLER

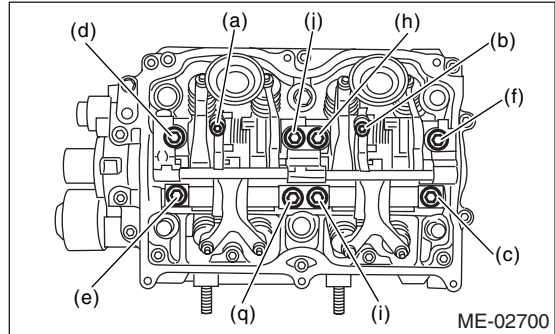


- (A) Adjuster pin
- (B) Spring stopper
- (C) Spring

- (2) Remove the bolts (a) through (j) in alphabetical sequence.

**NOTE:**

Leave two or three threads of bolts (i) and (j) engaged in order to retain the valve rocker assembly.

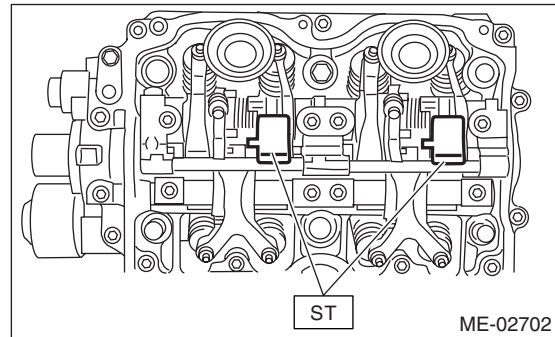


- (3) Remove the valve rocker assembly.

**NOTE:**

Set the ST in the position shown in the figure to remove the intake valve rocker assembly.

ST 18354AA000 VALVE ROCKER HOLDER



### B: INSTALLATION

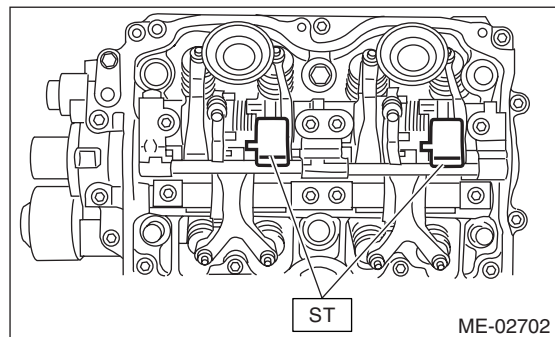
- 1) Install the valve rocker assembly.

- (1) Temporarily tighten the bolts equally in alphabetical order.

**NOTE:**

- Do not temporarily tighten the bolts (i) and (j).
- Set the ST in the position shown in the figure to install the intake valve rocker assembly.

ST 18354AA000 VALVE ROCKER HOLDER



- (2) Tighten the bolts (a) through (h) to specified torque.

**Tightening torque:**

25 N·m (2.5 kgf·m, 18.4 ft·lb)

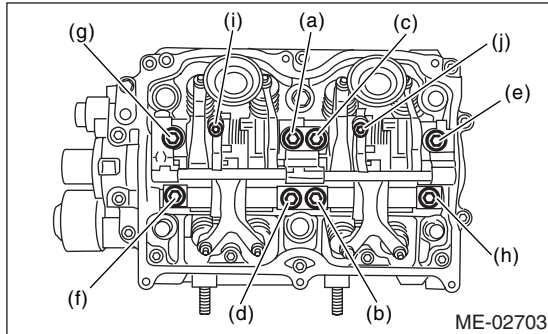
# Valve Rocker Assembly

## MECHANICAL

(3) Tighten the bolts (i) through (j) to specified torque.

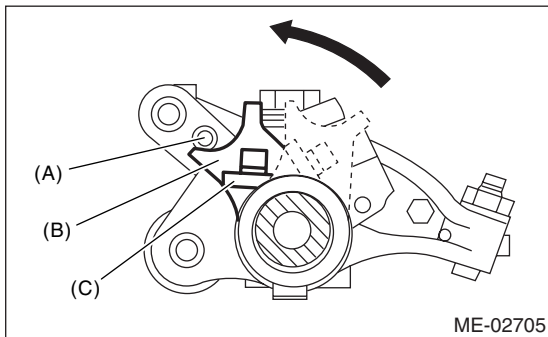
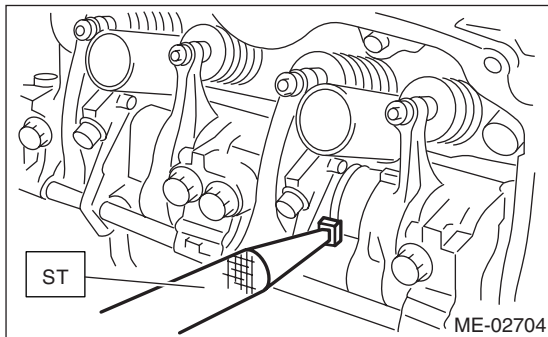
### Tightening torque:

**8 N·m (0.8 kgf·m, 5.9 ft·lb)**



(4) Using ST, rotate the spring stopper in the arrow direction to secure it to adjuster pin.

ST 18258AA000 SPRING INSTALLER



- (A) Adjuster pin
- (B) Spring stopper
- (C) Spring

2) Adjust the valve clearance. <Ref. to ME(H4SO)-31, ADJUSTMENT, Valve Clearance.>

3) Tighten the bolts of rocker cover and rocker cover gasket in alphabetical order shown in the figure, and connect the PCV hose.

### NOTE:

- Use new rocker cover gasket.
- Tighten bolts in two stages in alphabetical sequence as shown in the figure.

### Tightening torque:

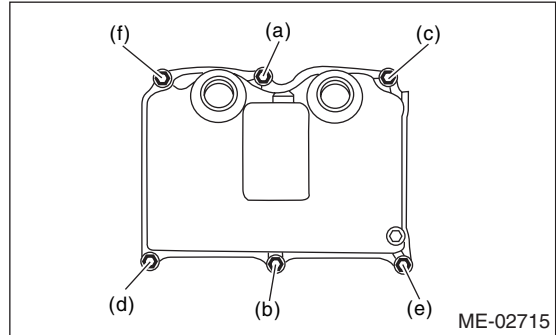
#### 1st

**6.4 N·m (0.65 kgf·m, 4.7 ft·lb)**

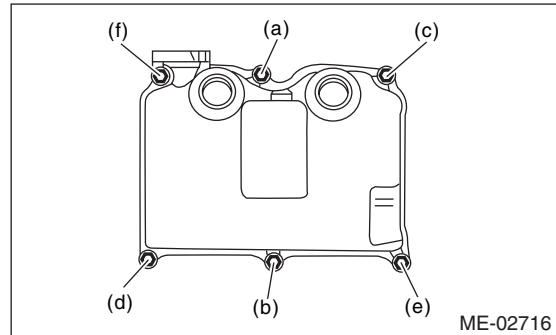
#### 2nd

**6.4 N·m (0.65 kgf·m, 4.7 ft·lb)**

- RH side



- LH side



4) Install the cam sprocket. <Ref. to ME(H4SO)-49, INSTALLATION, Cam Sprocket.>

5) Install the timing belt. <Ref. to ME(H4SO)-45, INSTALLATION, Timing Belt.>

6) Install the timing belt cover.

<Ref. to ME(H4SO)-43, INSTALLATION, Timing Belt Cover.>

7) Install the crank pulley. <Ref. to ME(H4SO)-42, INSTALLATION, Crank Pulley.>

8) Install the V-belt. <Ref. to ME(H4SO)-40, INSTALLATION, V-belt.>

## C: DISASSEMBLY

### NOTE:

Intake valve rocker assembly can not be disassembled.

1) Remove the exhaust valve rocker arm from rocker shaft.

### NOTE:

Keep all the removed parts in order for re-installing in their original positions.

2) Remove the nut and adjusting screw from valve rocker.

## D: ASSEMBLY

**NOTE:**

Intake valve rocker assembly can not be disassembled.

- 1) Install the adjusting screw and nut to exhaust valve rocker arm.
- 2) Insert the valve rocker arm into rocker shaft.

**NOTE:**

Valve rocker arms and rocker shaft have identification marks. Ensure the parts with same markings are properly assembled.

## E: INSPECTION

### 1. INTAKE VALVE ROCKER ASSEMBLY

- 1) If the roller or valve contact surface of valve rocker arm is worn or dented excessively, replace the valve rocker assembly.
- 2) Check that the valve rocker arm roller rotates smoothly. If not, replace the valve rocker assembly.

### 2. EXHAUST VALVE ROCKER ASSEMBLY

- 1) Measure the inner diameter of valve rocker arm and outer diameter of valve rocker shaft, and make sure the difference (oil clearance) between the two values.

**Clearance between arm and shaft:**

**Standard:**

**0.020 — 0.054 mm (0.0008 — 0.0021 in)**

**Limit:**

**0.10 mm (0.0039 in)**

- 2) If the oil clearance exceeds the limit, replace the valve rocker arm or shaft, whichever shows greater amount of wear.

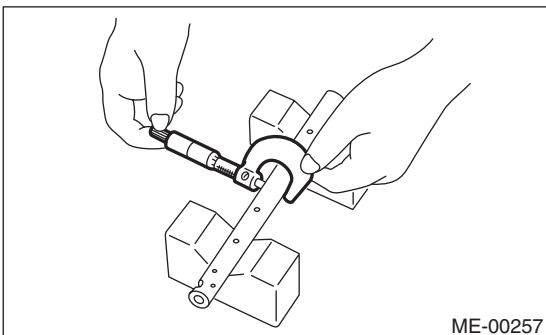
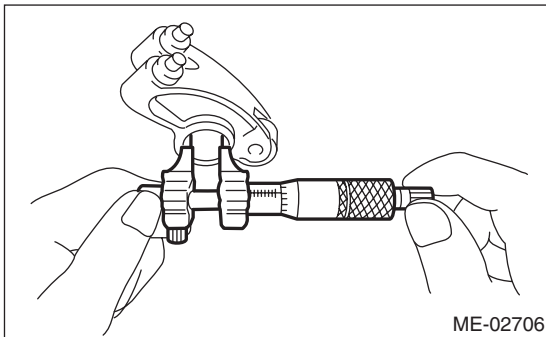
**Rocker arm inside diameter:**

**22.020 — 22.041 mm (0.8669 — 0.8678 in)**

**Rocker shaft diameter:**

**21.987 — 22.000 mm (0.8656 — 0.8661 in)**

- 3) If the cam or valve contact surface of valve rocker arm is worn or dented excessively, replace the valve rocker arm.
- 4) Check that the valve rocker arm roller rotates smoothly. If not, replace the valve rocker arm.



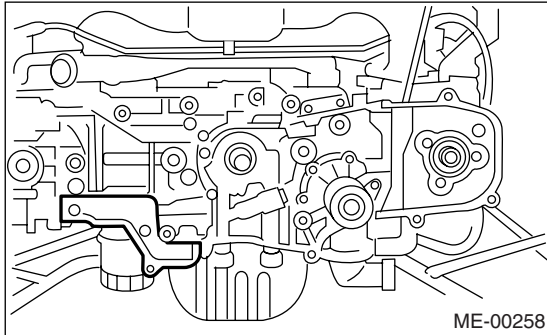
## 19. Camshaft

### A: REMOVAL

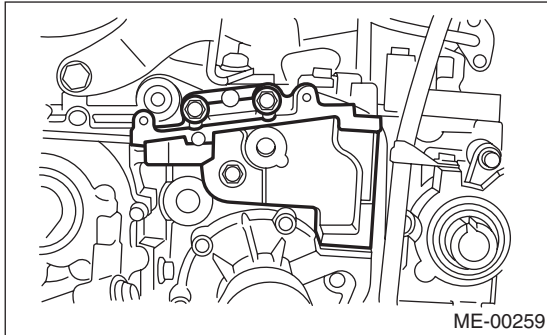
- 1) Remove the V-belts. <Ref. to ME(H4SO)-40, REMOVAL, V-belt.>
- 2) Remove the crank pulley. <Ref. to ME(H4SO)-42, REMOVAL, Crank Pulley.>
- 3) Remove the timing belt cover. <Ref. to ME(H4SO)-43, REMOVAL, Timing Belt Cover.>
- 4) Remove the timing belt. <Ref. to ME(H4SO)-44, REMOVAL, Timing Belt.>
- 5) Remove the cam sprocket. <Ref. to ME(H4SO)-49, REMOVAL, Cam Sprocket.>
- 6) Remove the timing belt cover No. 2 (LH).
- 7) Remove the timing belt cover No. 2 (RH).

**NOTE:**

Do not damage or lose the seal rubber when removing the timing belt covers.

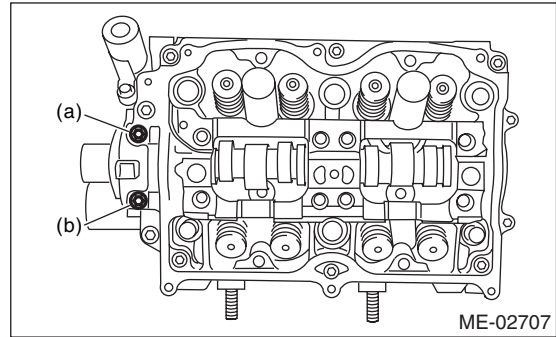


- 8) Remove the tensioner bracket.

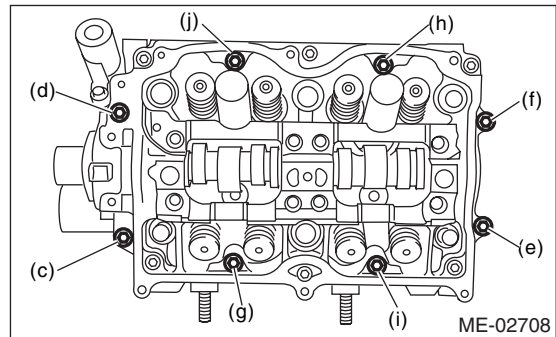


- 9) Remove the camshaft position sensor support. (LH side only)
- 10) Remove the oil level gauge guide. (LH side only)
- 11) Remove the valve rocker assembly. <Ref. to ME(H4SO)-51, REMOVAL, Valve Rocker Assembly.>

- 12) Remove the camshaft cap.
  - (1) Remove the bolts (a) and (b) in alphabetical sequence.

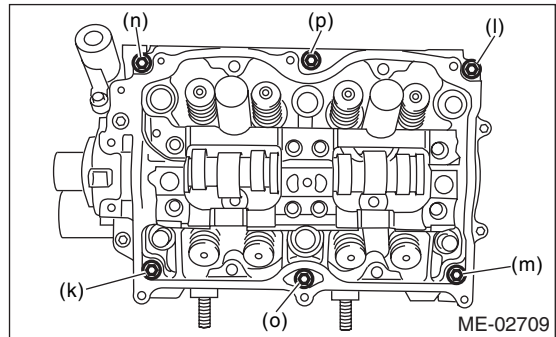


- (2) Equally loosen the bolts (c) through (j) all the way in alphabetical sequence.



- (3) Remove the bolts (k) through (p) in alphabetical sequence using ST.

ST 499497000 TORX PLUS®



- (4) Remove the camshaft cap.
- 13) Remove the camshaft.
- 14) Remove the oil seal.
- 15) Remove the plug from the rear side of camshaft.

**CAUTION:**

- Do not remove the oil seal unless necessary.
- Do not scratch the journal surface when removing the oil seal.

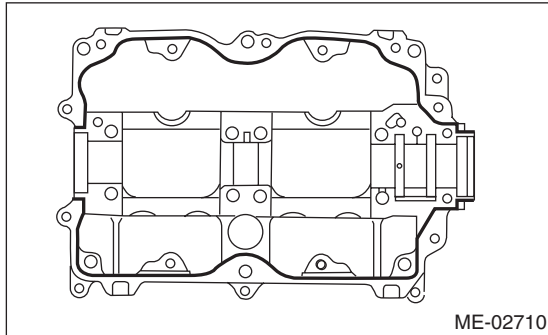
## B: INSTALLATION

- 1) Apply a coat of engine oil to camshaft journals and install the camshaft.
- 2) Install the camshaft cap.

- (1) Apply liquid gasket to the mating surfaces of camshaft cap.

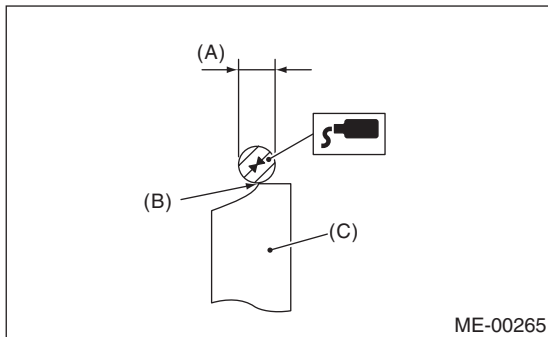
### Liquid gasket:

**THREE BOND 1280B (Part No. K0877YA018)**

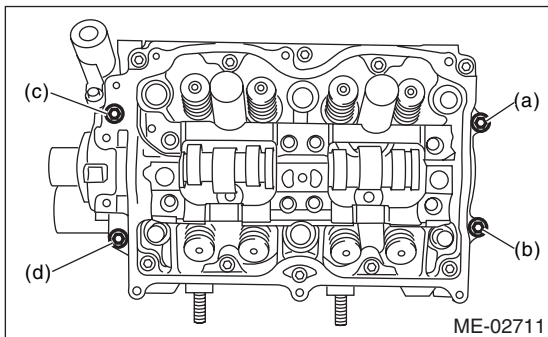


### NOTE:

- Apply a coat of liquid gasket of 3 mm (0.12 in) in diameter (A) along the edge (B) of camshaft cap (C) mating surface.
- Assemble them within 20 min. after applying liquid gasket.



- (2) Temporarily tighten the bolts (a) through (d) in alphabetical sequence.



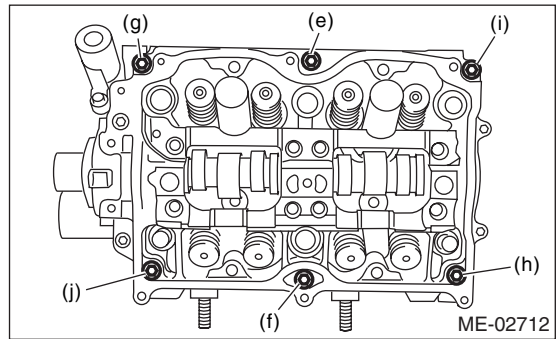
- (3) Install the valve rocker assembly.  
<Ref. to ME(H4SO)-51, INSTALLATION, Valve Rocker Assembly.>

- (4) Tighten the TORX® bolts (e) through (j) in alphabetical sequence using ST.

ST 499497000 TORX PLUS®

### Tightening torque:

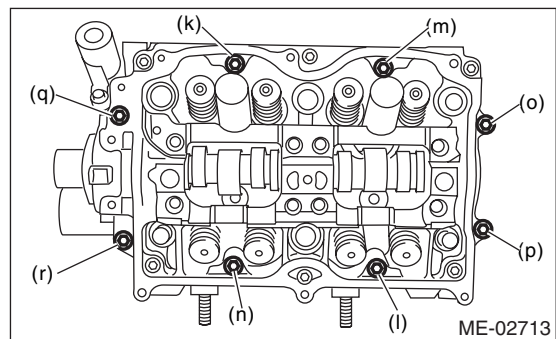
**18 N·m (1.8 kgf-m, 13.3 ft-lb)**



- (5) Tighten the bolts (k) through (r) in alphabetical sequence.

### Tightening torque:

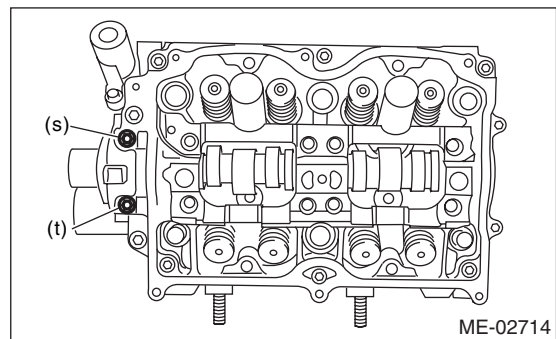
**9.75 N·m (1.0 kgf-m, 7.2 ft-lb)**



- (6) Tighten the bolts (s) and (t) in alphabetical sequence.

### Tightening torque:

**9.75 N·m (1.0 kgf-m, 7.2 ft-lb)**



- 3) Apply engine oil to the outer perimeter and lips of oil seal, and install the oil seal (A) on camshaft using ST1 and ST2.

### NOTE:

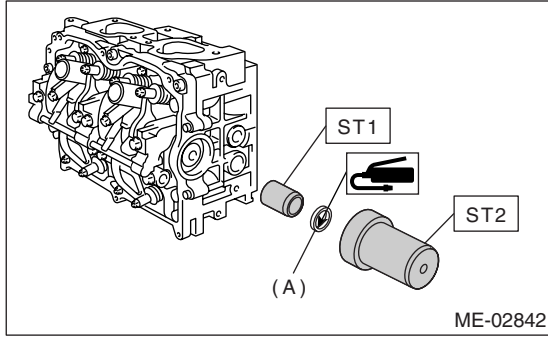
Use a new oil seal.

ST1 499597000 OIL SEAL GUIDE

# Camshaft

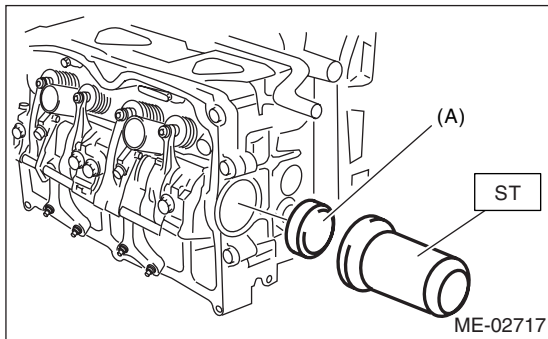
MECHANICAL

ST2 499587500 OIL SEAL INSTALLER



4) Install the plug (A) using ST.

ST 499587700 CAMSHAFT OIL SEAL INSTALLER



5) Adjust the valve clearance. <Ref. to ME(H4SO)-31, ADJUSTMENT, Valve Clearance.>

6) Tighten the bolts of rocker cover and rocker cover gasket in alphabetical order shown in the figure, and connect the PCV hose.

NOTE:

- Use new rocker cover gasket.
- Tighten bolts in two stages in alphabetical sequence as shown in the figure.

**Tightening torque:**

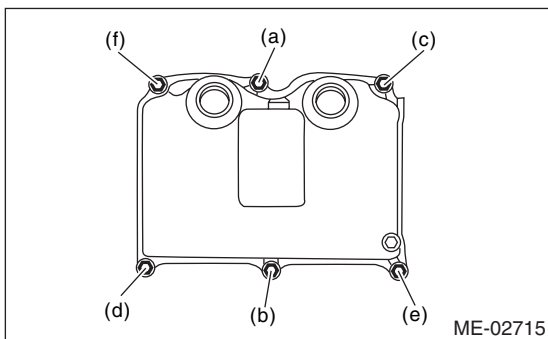
**1st**

**6.4 N·m (0.65 kgf-m, 4.7 ft-lb)**

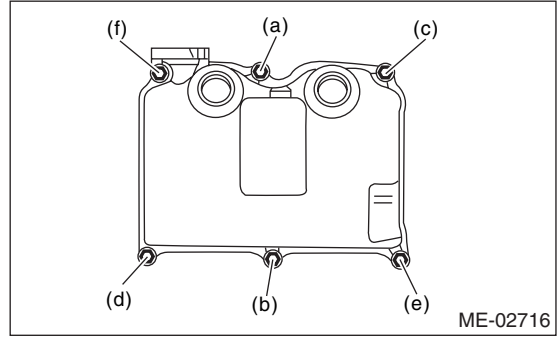
**2nd**

**6.4 N·m (0.65 kgf-m, 4.7 ft-lb)**

- RH side



- LH side



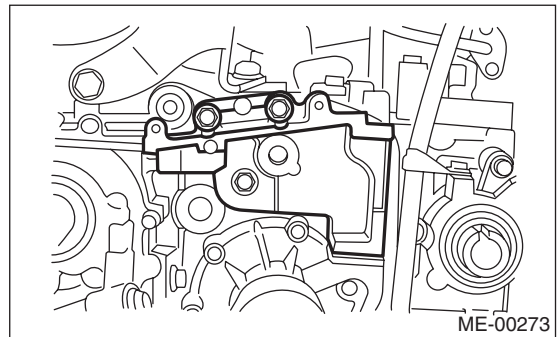
7) Install the oil level gauge guide. (LH side)

8) Install the camshaft position sensor support. (LH side)

9) Install the tensioner bracket.

**Tightening torque:**

**24.5 N·m (2.5 kgf-m, 18.1 ft-lb)**



10) Install the timing belt cover No. 2 (RH).

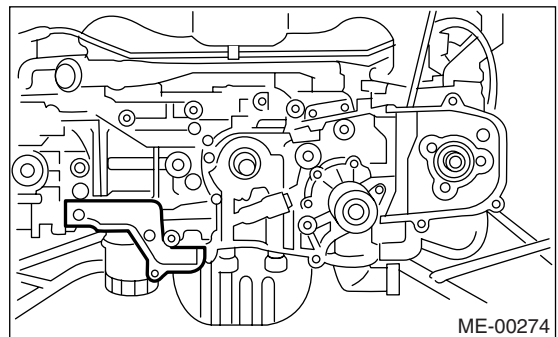
**Tightening torque:**

**5 N·m (0.5 kgf-m, 3.6 ft-lb)**

11) Install the timing belt cover No. 2 (LH).

**Tightening torque:**

**5 N·m (0.5 kgf-m, 3.6 ft-lb)**



12) Install the cam sprocket. <Ref. to ME(H4SO)-49, INSTALLATION, Cam Sprocket.>

13) Install the timing belt. <Ref. to ME(H4SO)-45, INSTALLATION, Timing Belt.>

14) Install the timing belt cover.

<Ref. to ME(H4SO)-43, INSTALLATION, Timing Belt Cover.>



15) Install the crank pulley. <Ref. to ME(H4SO)-42, INSTALLATION, Crank Pulley.>

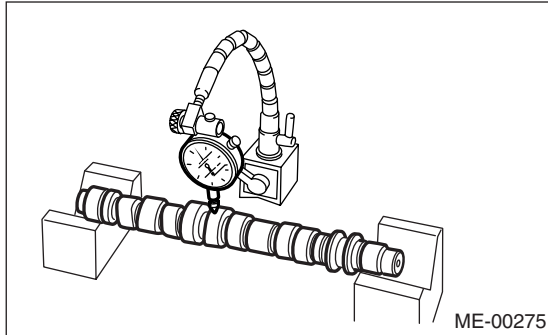
16) Install the V-belt. <Ref. to ME(H4SO)-40, INSTALLATION, V-belt.>

## C: INSPECTION

1) Measure the bend, and repair or replace if necessary.

**Service limit:**

**0.025 mm (0.0098 in)**



2) Check the journal for damage and wear. Replace if faulty.

3) Measure the outer diameter of camshaft journal and inner diameter of cylinder head journal, and make sure the difference (oil clearance) between the two values. If the oil clearance exceeds standard value, replace the camshaft or cylinder head as necessary.

Unit: mm (in)		
Oil clearance	Standard	0.055 — 0.090 (0.0022 — 0.0035)
	Limit	0.10 (0.0039)
Camshaft journal O.D.		31.928 — 31.945 (1.2570 — 1.2577)
Journal hole I.D.		32.000 — 32.018 (1.2598 — 1.2605)

4) Check the cam face condition, and remove the minor faults by grinding with oil stone. Measure the cam height H. If it exceeds the limit, replace it.

### Cam height H:

Parts		Unit: mm (in)	
Intake	Fixed	Standard	40.075 — 40.175 (1.5778 — 1.5817)
		Limit	39.975 (1.5738)
	Low speed	Standard	35.182 — 35.282 (1.3851 — 1.3891)
		Limit	35.082 (1.3812)
	High speed	Standard	40.315 — 40.415 (1.5872 — 1.5911)
		Limit	40.215 (1.5833)
Exhaust	Standard	40.149 — 40.249 (1.5807 — 1.5846)	
	Limit	40.049 (1.5767)	

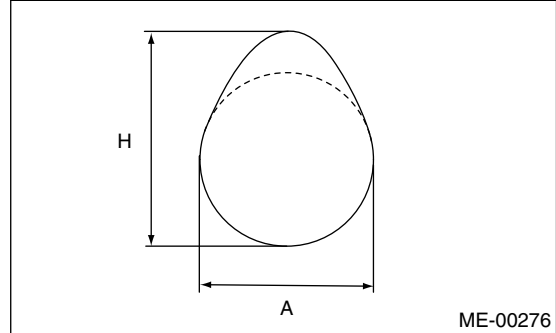
**Cam base circle diameter A:**

**Intake: 34.00 mm (1.3386 in)**

**Exhaust: 34.00 mm (1.3386 in)**

**Difference between base circles of adjacent intake cams (low speed and high speed):**

**0.03 mm (0.001 in) or less**



5) Measure the thrust clearance of camshaft with setting the dial gauge at end of camshaft. If the thrust clearance exceeds the limit, replace the camshaft cap and cylinder head as a set. If necessary, replace the camshaft.

**Standard:**

**0.030 — 0.090 mm (0.0012 — 0.0035 in)**

**Limit:**

**0.10 mm (0.0039 in)**

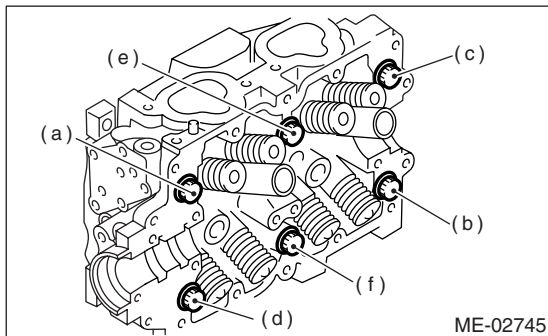
## 20. Cylinder Head

### A: REMOVAL

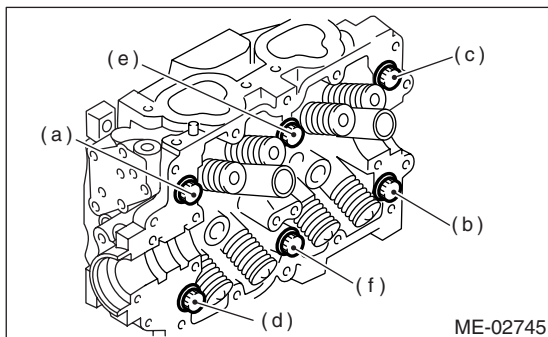
- 1) Remove the V-belts. <Ref. to ME(H4SO)-40, REMOVAL, V-belt.>
- 2) Remove the crank pulley. <Ref. to ME(H4SO)-42, REMOVAL, Crank Pulley.>
- 3) Remove the timing belt cover. <Ref. to ME(H4SO)-43, REMOVAL, Timing Belt Cover.>
- 4) Remove the timing belt. <Ref. to ME(H4SO)-44, REMOVAL, Timing Belt.>
- 5) Remove the cam sprocket. <Ref. to ME(H4SO)-49, REMOVAL, Cam Sprocket.>
- 6) Remove the intake manifold. <Ref. to FU(H4SO)-13, REMOVAL, Intake Manifold.>
- 7) Remove the bolt which installs the A/C compressor bracket on cylinder head.
- 8) Remove the valve rocker assembly. <Ref. to ME(H4SO)-51, REMOVAL, Valve Rocker Assembly.>
- 9) Remove the camshaft. <Ref. to ME(H4SO)-54, REMOVAL, Camshaft.>
- 10) Remove the cylinder head bolts in alphabetical sequence as shown in the figure.

#### NOTE:

Leave bolts (a) and (c) engaged by three or four threads to prevent the cylinder head from falling.



- 11) While tapping the cylinder head with a plastic hammer, separate it from cylinder block.
- 12) Remove the bolts (a) and (c) to remove the cylinder head.



- 13) Remove the cylinder head gasket.

#### CAUTION:

Be careful not to scratch the mating surface of cylinder head and cylinder block.

- 14) Similarly, remove the right side cylinder head.

### B: INSTALLATION

- 1) Install the cylinder head and gaskets on cylinder block.

#### CAUTION:

- Use new cylinder head gaskets.
- Be careful not to scratch the mating surface of cylinder block and cylinder head.

- 2) Tighten the cylinder head bolts.
  - (1) Apply a coat of engine oil to washers and bolt threads.
  - (2) Tighten all bolts to 29 N·m (3.0 kgf-m, 21.4 ft-lb) in alphabetical sequence. Then tighten all bolts to 69 N·m (7.0 kgf-m, 50.9 ft-lb) in alphabetical sequence.
  - (3) Back off all bolts by 180° in reverse order of installation, and back them off again by 180°.
  - (4) Tighten all bolts to 42 N·m (4.3 kgf-m, 31 ft-lb) in alphabetical sequence.
  - (5) Tighten all bolts by 80° — 90° in alphabetical sequence.
  - (6) Tighten all bolts by 40° — 45° in alphabetical sequence.

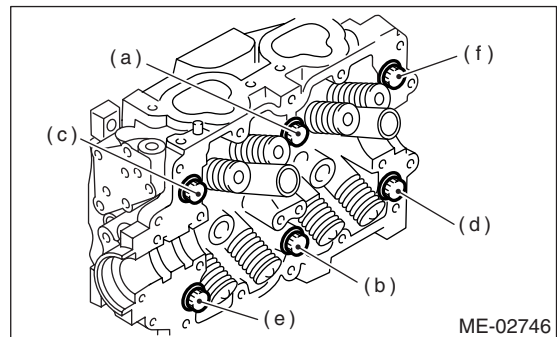
#### CAUTION:

Tightening angle of the bolt must not exceed 45°.

- (7) Further tighten bolts (a) and (b) by 40° — 45°.

#### CAUTION:

Total “re-tightening angle” of the step (6) and (7) must not exceed 90°.



- 3) Install the camshaft. <Ref. to ME(H4SO)-55, INSTALLATION, Camshaft.>
- 4) Install the valve rocker assembly. <Ref. to ME(H4SO)-51, INSTALLATION, Valve Rocker Assembly.>
- 5) Install the A/C compressor bracket on cylinder head.

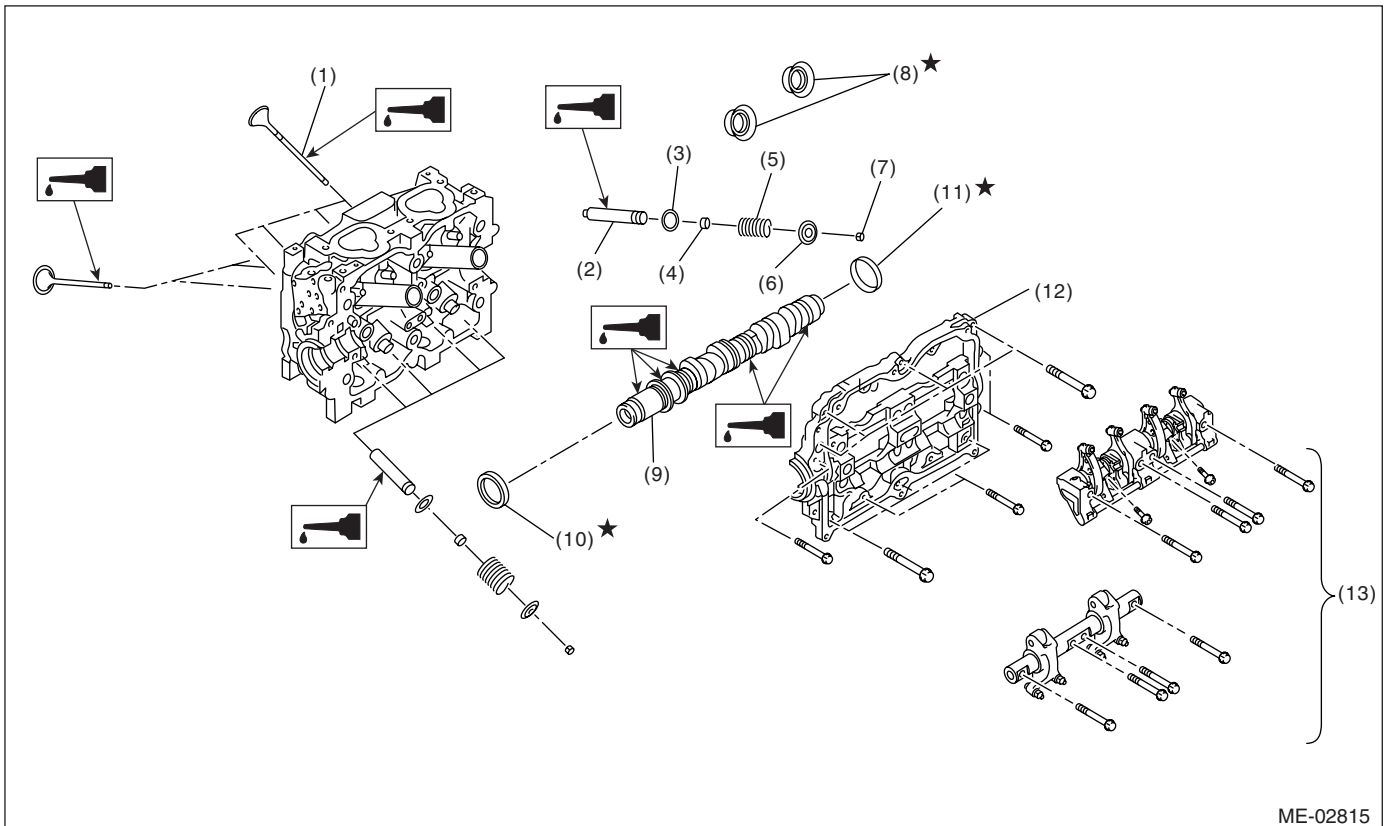
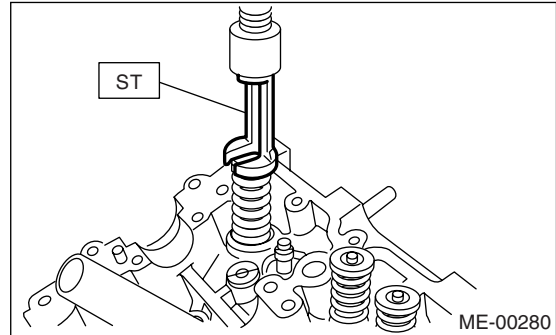
- 6) Install the intake manifold.  
<Ref. to FU(H4SO)-15, INSTALLATION, Intake Manifold.>
- 7) Install the cam sprocket. <Ref. to ME(H4SO)-49, INSTALLATION, Cam Sprocket.>
- 8) Install the timing belt. <Ref. to ME(H4SO)-45, INSTALLATION, Timing Belt.>
- 9) Install the timing belt cover.  
<Ref. to ME(H4SO)-43, INSTALLATION, Timing Belt Cover.>
- 10) Install the crank pulley. <Ref. to ME(H4SO)-42, INSTALLATION, Crank Pulley.>
- 11) Install the V-belts. <Ref. to ME(H4SO)-40, INSTALLATION, V-belt.>

## C: DISASSEMBLY

- 1) Place the cylinder head on the ST.  
ST 498267800 CYLINDER HEAD TABLE
- 2) Set the ST on valve spring. Compress the valve spring and remove the valve spring retainer key. Remove each valve and valve spring.

## D: ASSEMBLY

- ST 499718000 VALVE SPRING REMOVER
- NOTE:
- Keep all the removed parts in order for re-installing in their original positions.
  - Mark each valve to prevent confusion.
  - Use extreme care not to damage the lips of the intake valve oil seals and exhaust valve oil seals.



- |                       |                       |                        |
|-----------------------|-----------------------|------------------------|
| (1) Valve             | (6) Retainer          | (11) Plug              |
| (2) Valve guide       | (7) Retainer key      | (12) Camshaft cap      |
| (3) Valve spring seat | (8) Spark plug gasket | (13) Valve rocker ASSY |
| (4) Oil seal          | (9) Camshaft          |                        |
| (5) Valve springs     | (10) Oil seal         |                        |

# Cylinder Head

## MECHANICAL

- 1) Installation of valve spring and valve:
  - (1) Place the cylinder head on the ST.  
ST 498267800 CYLINDER HEAD TABLE
  - (2) Coat the stem of each valve with engine oil and insert the valve into valve guide.

### CAUTION:

**Use extreme care not to damage the oil lips when inserting the valve into valve guide.**

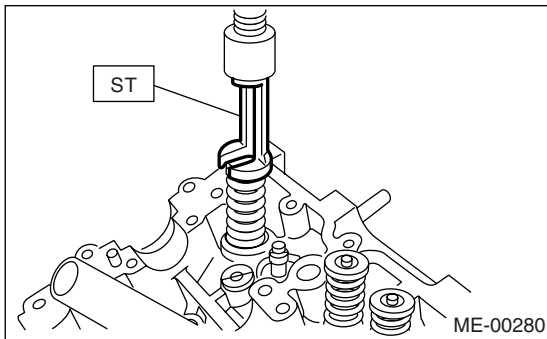
- (3) Install the valve spring and retainer.

### NOTE:

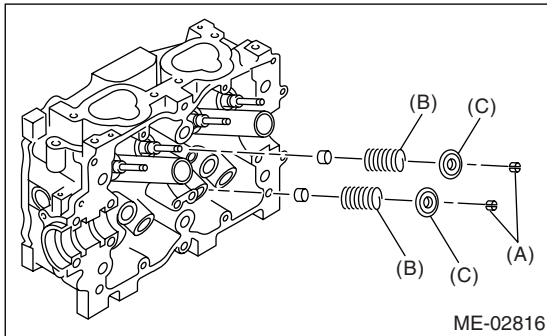
Be sure to install the valve springs with their close-coiled end facing the seat on the cylinder head.

- (4) Set the ST on valve spring.

ST 499718000 VALVE SPRING REMOVER



- (5) Compress the valve spring, and then fit the valve spring retainer and valve spring retainer key.



- (A) Retainer key
- (B) Valve spring
- (C) Valve spring retainer

- (6) After installing, tap the valve spring retainers lightly with a plastic hammer for better seating.

## E: INSPECTION

### 1. CYLINDER HEAD

- 1) Make sure that no crack or other damage do not exist. In addition to visual inspection, inspect important areas by means of liquid penetrant tester. Also make sure the gasket installing surface shows no trace of gas and water leaks.
- 2) Place the cylinder head on the ST.  
ST 498267800 CYLINDER HEAD TABLE
- 3) Measure the warping of the cylinder head surface that mates with crankcase using a straight edge and thickness gauge. If the warping exceeds the limit, regrind the surface with a surface grinder.

### Warping limit:

**0.03 mm (0.0012 in)**

### Grinding limit:

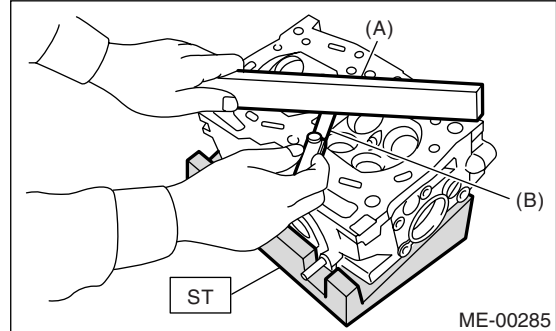
**0.1 mm (0.004 in)**

### Standard height of cylinder head:

**97.5 mm (3.84 in)**

### NOTE:

Uneven torque for the cylinder head bolts can cause warping. When reassembling, pay special attention to the torque so as to tighten evenly.



- (A) Straight edge
- (B) Thickness gauge

## 2. VALVE SEAT

Inspect the intake and exhaust valve seats, and correct the contact surfaces with a valve seat cutter if they are defective or when valve guides are replaced.

**Valve seat width *W*:**

**Standard**

**Intake (A)**

**0.8 — 1.4 mm (0.03 — 0.055 in)**

**Exhaust (B)**

**1.2 — 1.8 mm (0.047 — 0.071 in)**

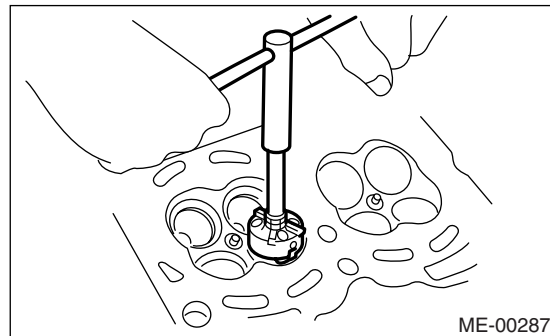
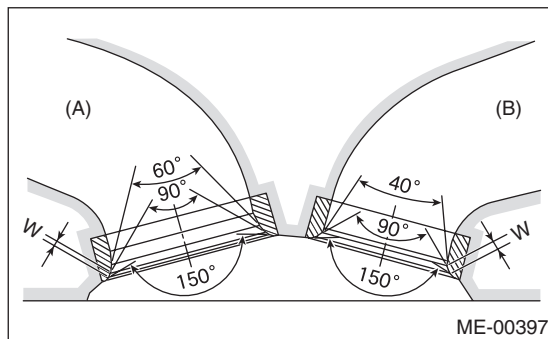
**Limit**

**Intake (A)**

**1.7 mm (0.067 in)**

**Exhaust (B)**

**2.2 mm (0.087 in)**



## 3. VALVE GUIDE

1) Check the clearance between valve guide and stem. The clearance can be checked by measuring respectively the outer diameter of valve stem with a micrometer and inner diameter of valve guide with a caliper gauge.

**Clearance between the valve guide and valve stem:**

**Standard**

**Intake**

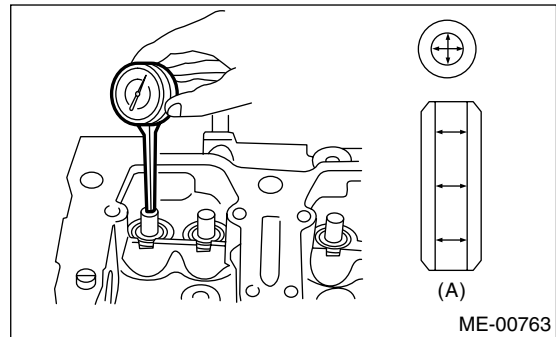
**0.035 — 0.062 mm (0.0014 — 0.0024 in)**

**Exhaust**

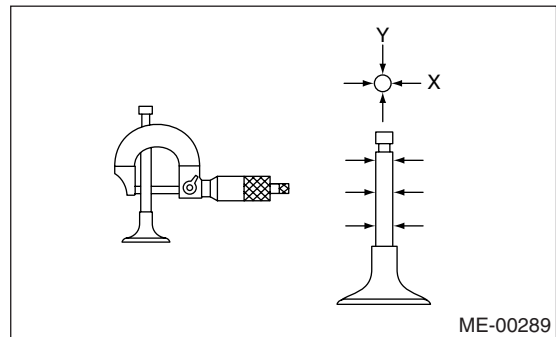
**0.040 — 0.067 mm (0.0016 — 0.0026 in)**

**Limit**

**0.15 mm (0.059 in)**



(A) Valve guide



2) If the clearance between valve guide and stem exceeds the standard value, replace the valve guide or valve itself whichever shows greater amount of wear. See the following procedure for valve guide replacement.

**Valve guide inner diameter:**

**6.000 — 6.012 mm (0.2362 — 0.2367 in)**

**Valve stem outer diameters:**

**Intake**

**5.950 — 5.965 mm (0.2343 — 0.2348 in)**

**Exhaust**

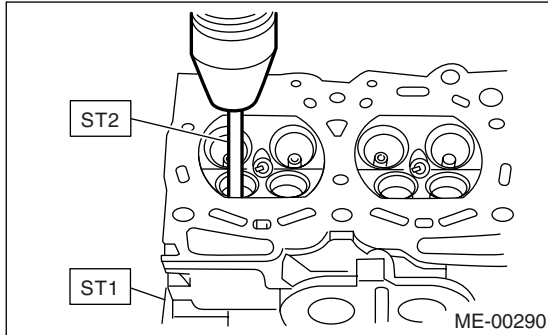
**5.945 — 5.960 mm (0.2341 — 0.2346 in)**

# Cylinder Head

## MECHANICAL

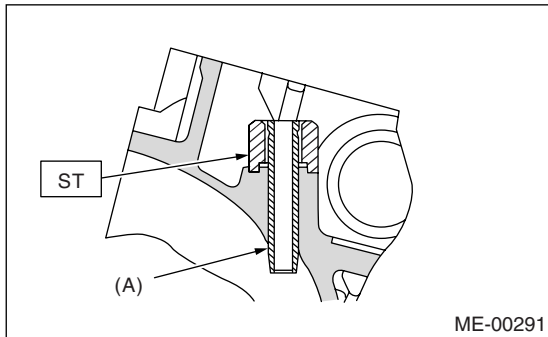
- (1) Place the cylinder head on ST1 with the combustion chamber upward so that valve guides enter the holes in ST1.
- (2) Insert ST2 into the valve guide and press it down to remove the valve guide.

ST1 498267800 CYLINDER HEAD TABLE  
ST2 499767200 VALVE GUIDE REMOVER



- (3) Turn the cylinder head upside down and place the ST as shown in the figure.

Intake side:  
ST 499767700 VALVE GUIDE ADJUSTER  
Exhaust side:  
ST 499767800 VALVE GUIDE ADJUSTER

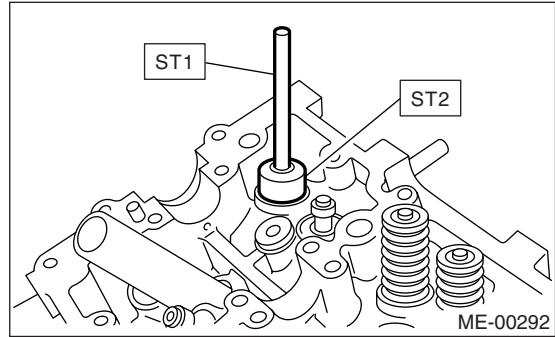


(A) Valve guide

- (4) Before installing a new valve guide, make sure that neither scratches nor damages exist on the inside surface of the valve guide holes in cylinder head.
- (5) Put a new valve guide, coated with sufficient oil, in cylinder, and insert the ST1 into valve guide. Press in until the valve guide upper end is flush with the upper surface of ST2.

ST1 499767200 VALVE GUIDE REMOVER  
Intake side:  
ST2 499767700 VALVE GUIDE ADJUSTER

Exhaust side:  
ST2 499767800 VALVE GUIDE ADJUSTER



- (6) Check the valve guide protrusion.

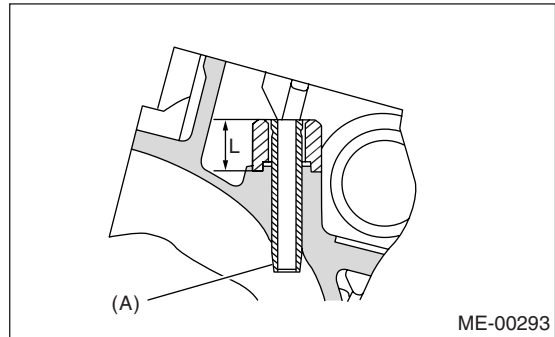
### Valve guide protrusion L:

#### Intake

20.0 — 21.0 mm (0.787 — 0.827 in)

#### Exhaust

16.5 — 17.5 mm (0.650 — 0.689 in)



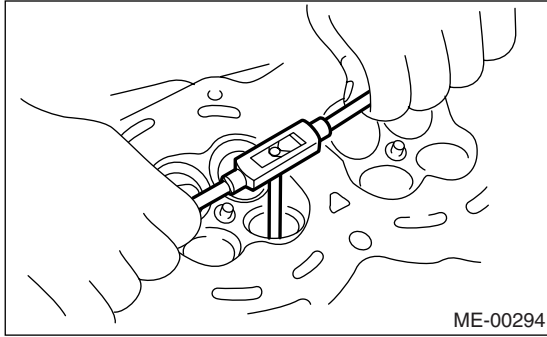
(A) Valve guide

- (7) Ream the inside of valve guide using ST. Put the reamer in valve guide, and rotate the reamer slowly clockwise while pushing it lightly. Bring the reamer back while rotating it clockwise. After reaming, clean the valve guide to remove chips.

### CAUTION:

- Apply engine oil to the reamer when reaming.
- If the inner surface of the valve guide is torn, the edge of the reamer should be slightly ground with an oil stone.
- If the inner surface of the valve guide becomes lustrous and the reamer does not chip, use a new reamer or remedy the reamer.

ST 499767400 VALVE GUIDE REAMER



(8) Recheck the contact condition between valve and valve seat after replacing the valve guide.

## 4. INTAKE AND EXHAUST VALVE

1) Inspect the flange and stem of valve, and replace if damaged, worn or deformed, or if "H" exceed the standard value.

**H:**

**Intake**

**Standard: 0.8 — 1.2 mm (0.03 — 0.047 in)**

**Limit: 0.6 mm (0.024 in)**

**Exhaust**

**Standard: 1.0 — 1.4 mm (0.039 — 0.055 in)**

**Limit: 0.6 mm (0.024 in)**

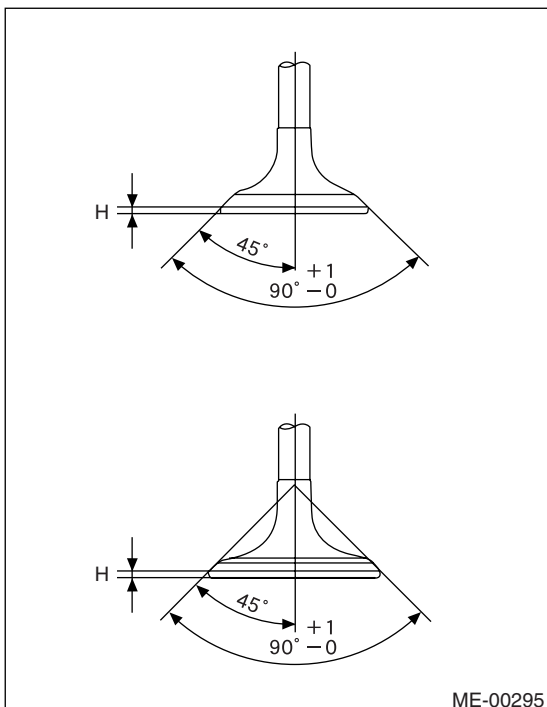
**Valve overall length:**

**Intake**

**120.6 mm (4.75 in)**

**Exhaust**

**121.7 mm (4.79 in)**



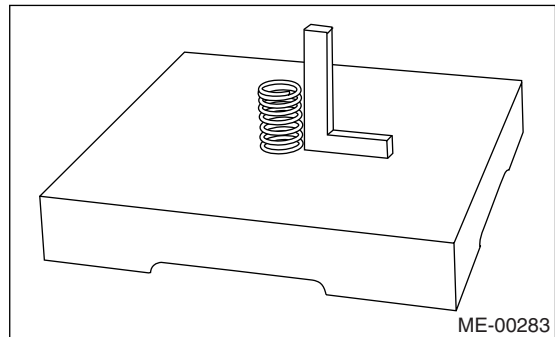
2) Put a small amount of grinding compound on the seat surface and lap the valve and seat surface. <Ref. to ME(H4SO)-61, VALVE SEAT, INSPECTION, Cylinder Head.> Install a new intake valve oil seal after lapping.

## 5. VALVE SPRING

1) Check the valve springs for damage, free length, and tension. Replace the valve spring if it is not within the standard value presented in the table.

2) To measure the squareness of the valve spring, stand the spring on a surface plate and measure its deflection at the top of spring using a try square.

Free length	mm (in)	55.2 (2.173)
Squareness		2.5°, 2.4 mm (0.094 in) or less
Tension/spring height	Set	235.3 — 270.7 (24 — 27.6, 52.9 — 60.8)/45.0 (1.772)
	Lift	578.9 — 639.9 (59.1 — 65.3, 130.3 — 143.9)/34.7 (1.366)
	N (kgf, lbf)/mm (in)	



## 6. INTAKE AND EXHAUST VALVE OIL SEAL

In the following case, pinch and remove the oil seal from valve using pliers, and then replace it with a new one.

- When the lip is damaged.
- When the spring is out of the specified position.
- When readjusting the surfaces of intake valve and valve sheet.
- When replacing the intake valve guide.

1) Place the cylinder head on ST1.

2) Using ST2, press-fit the oil seal.

**CAUTION:**

- Apply engine oil to oil seal before press-fitting.
- When press-fitting the oil seal, do not use a hammer or strike in.
- Differentiate between the intake valve oil seal and exhaust valve oil seal by noting their difference in color.

ST1 498267800 CYLINDER HEAD TABLE

ST2 498857100 VALVE OIL SEAL GUIDE

# Cylinder Head

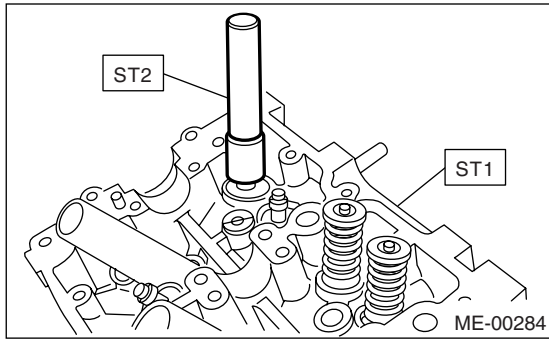
MECHANICAL

---

**Color of rubber part:**

**Intake [Gray]**

**Exhaust [Green]**





## 21. Cylinder Block

### A: REMOVAL

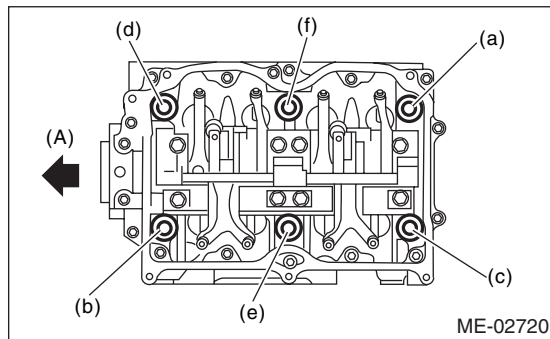
**NOTE:**

Before conducting this procedure, drain the engine oil completely.

- 1) Remove the intake manifold. <Ref. to FU(H4SO)-13, REMOVAL, Intake Manifold.>
- 2) Remove the V-belts. <Ref. to ME(H4SO)-40, REMOVAL, V-belt.>
- 3) Remove the crank pulley. <Ref. to ME(H4SO)-42, REMOVAL, Crank Pulley.>
- 4) Remove the timing belt cover. <Ref. to ME(H4SO)-43, REMOVAL, Timing Belt Cover.>
- 5) Remove the timing belt. <Ref. to ME(H4SO)-44, REMOVAL, Timing Belt.>
- 6) Remove the cam sprocket. <Ref. to ME(H4SO)-49, REMOVAL, Cam Sprocket.>
- 7) Remove the crank sprocket. <Ref. to ME(H4SO)-42, REMOVAL, Crank Pulley.>
- 8) Remove the generator and A/C compressor with their brackets.
- 9) Remove the rocker cover.
- 10) Remove the cylinder head bolts in alphabetical sequence as shown in the figure.

**NOTE:**

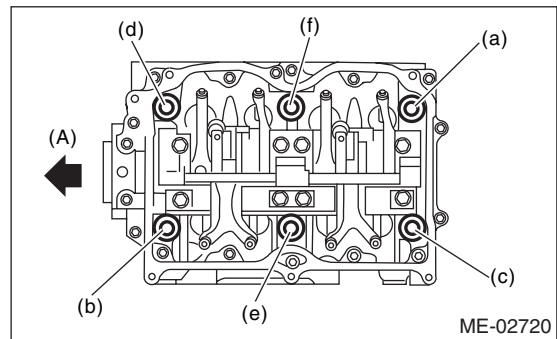
Leave bolts (a) and (d) engaged by three or four threads to prevent the cylinder head from falling.



(A) Front side

- 11) While tapping the cylinder head with a plastic hammer, separate it from cylinder block.

- 12) Remove the bolts (a) and (d) to remove the cylinder head.



(A) Front side

- 13) Remove the cylinder head gasket.

**NOTE:**

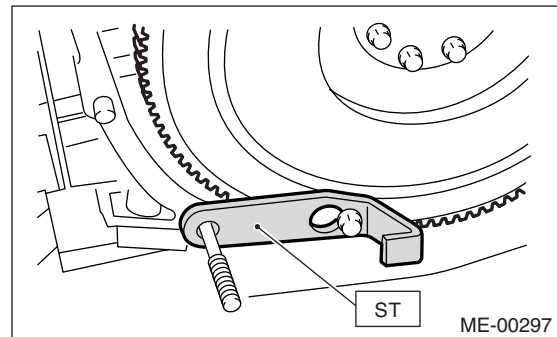
Do not scratch the mating surface of cylinder head and cylinder block.

- 14) Similarly, remove the right side cylinder head.
- 15) Remove the clutch housing cover. (MT model)
- 16) Remove the flywheel (MT model) or drive plate (AT model).

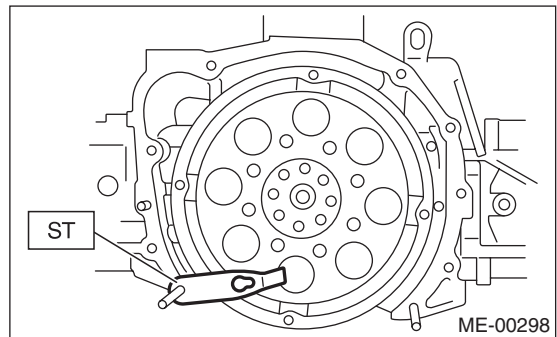
Lock the crankshaft using ST.

ST 498497100 CRANKSHAFT STOPPER

- MT model



- AT model

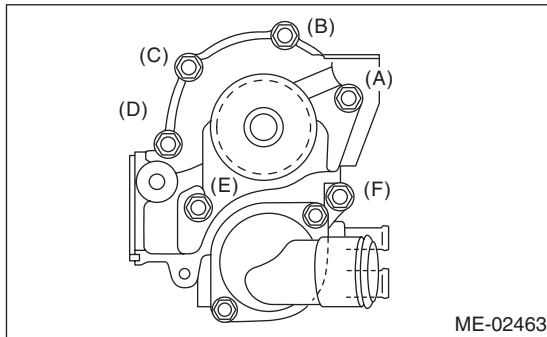


- 17) Remove the oil separator cover.
- 18) Remove the water by-pass pipe for heater.

# Cylinder Block

## MECHANICAL

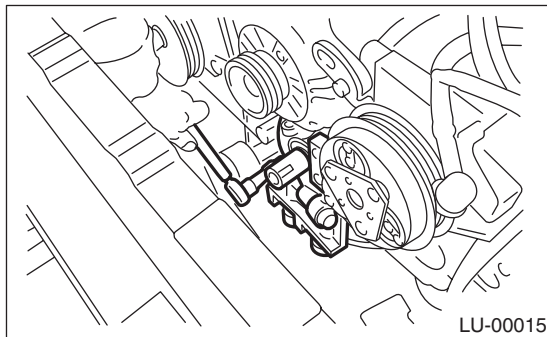
19) Remove the water pump after loosening the bolts in alphabetical sequence as shown in the figure.



20) Remove the bolts which install the oil pump onto cylinder block.

### NOTE:

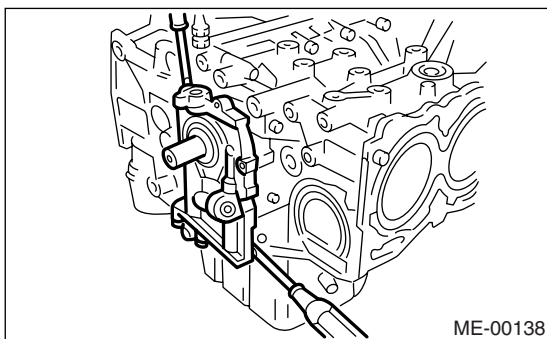
If disassembling or inspecting the oil pump, loosen the plug of relief valve before removing the oil pump.



21) Remove the oil pump from cylinder block. Use a flat tip screwdriver when removing the oil pump.

### CAUTION:

Be careful not to scratch the mating surface of cylinder block and oil pump.



22) Remove the oil pan.

- (1) Place the cylinder block to face the #2 and #4 piston side upward.
- (2) Remove the bolts which secure oil pan to cylinder block.
- (3) Insert a oil pan cutter blade between cylinder block-to-oil pan clearance and remove the oil pan.

### NOTE:

Do not use a screwdriver or similar tools in place of oil pan cutter.

23) Remove the oil strainer stay.

24) Remove the oil strainer.

25) Remove the baffle plate.

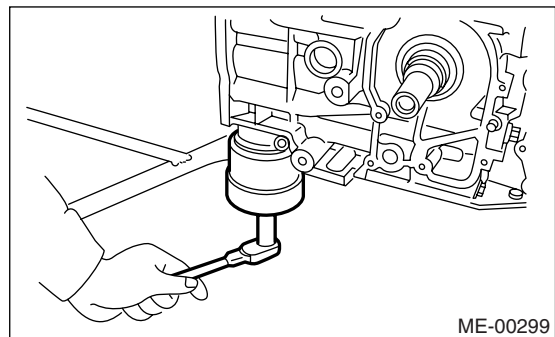
26) Remove the oil filter using ST.

ST 18332AA000 OIL FILTER WRENCH (Outer diameter: 68 mm (2.68 in))

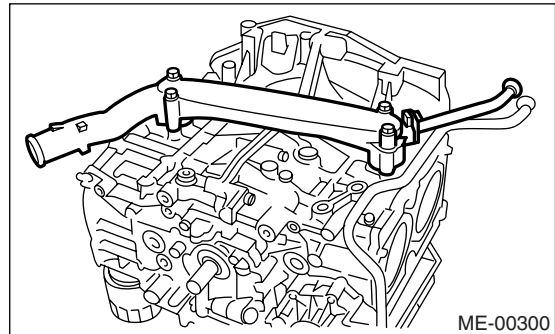
ST 18332AA010 OIL FILTER WRENCH (Outer diameter: 65 mm (2.56 in))

### NOTE:

Standard oil filter is outer diameter of 68 mm (2.68 in). However, SUBARU genuine oil filter having outer diameter of 65 mm (2.56 in) can also be used.

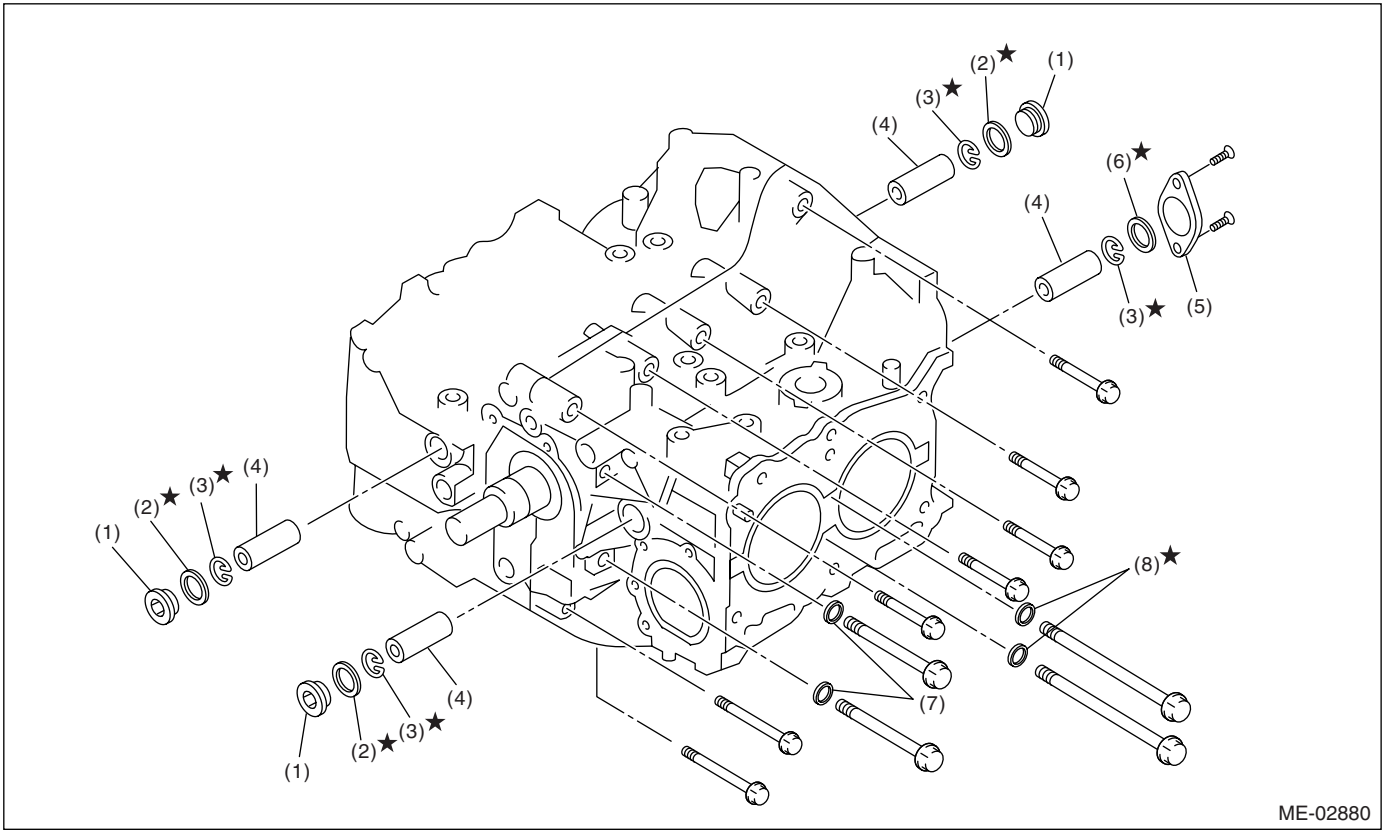


27) Remove the water pipe.



# Cylinder Block

MECHANICAL

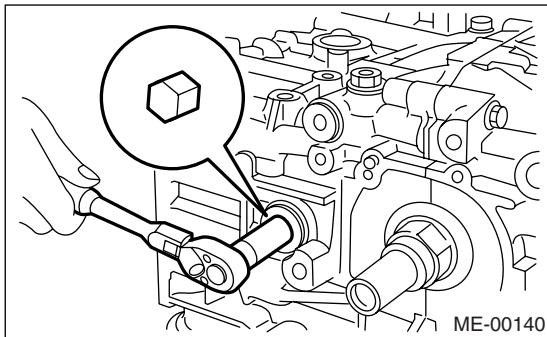


ME-02880

- |                       |                        |                 |
|-----------------------|------------------------|-----------------|
| (1) Service hole plug | (4) Piston pin         | (7) Washer      |
| (2) Gasket            | (5) Service hole cover | (8) Seal washer |
| (3) Snap ring         | (6) O-ring             |                 |

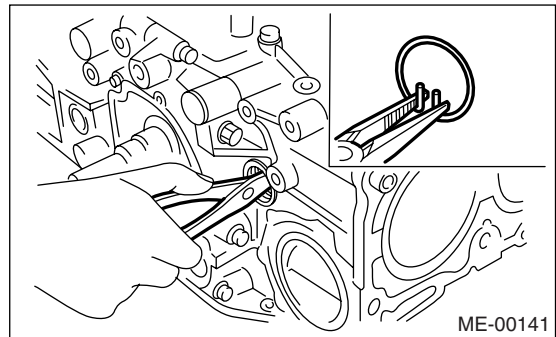
28) Remove the service hole cover and service hole plugs using a hexagon wrench (14 mm).

the piston snap ring through service hole of #1 and #2 cylinders.



ME-00140

29) Rotate the crankshaft to bring #1 and #2 pistons to bottom dead center position, then remove



ME-00141

30) Draw out the piston pin from #1 and #2 pistons using ST.

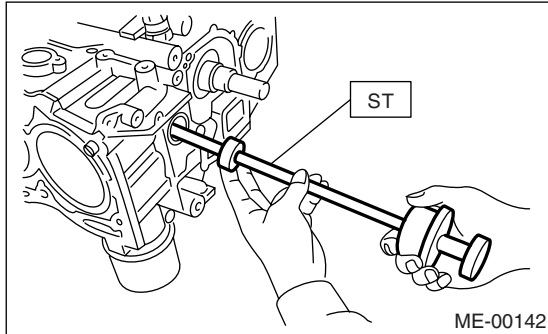
ST 499097700 PISTON PIN REMOVER ASSY

# Cylinder Block

## MECHANICAL

### NOTE:

Be careful not to confuse the original combination of piston, piston pin and cylinder.



31) Similarly remove the piston pins from #3 and #4 pistons.

32) Remove the bolts which connect cylinder block on the side of #2 and #4 cylinders.

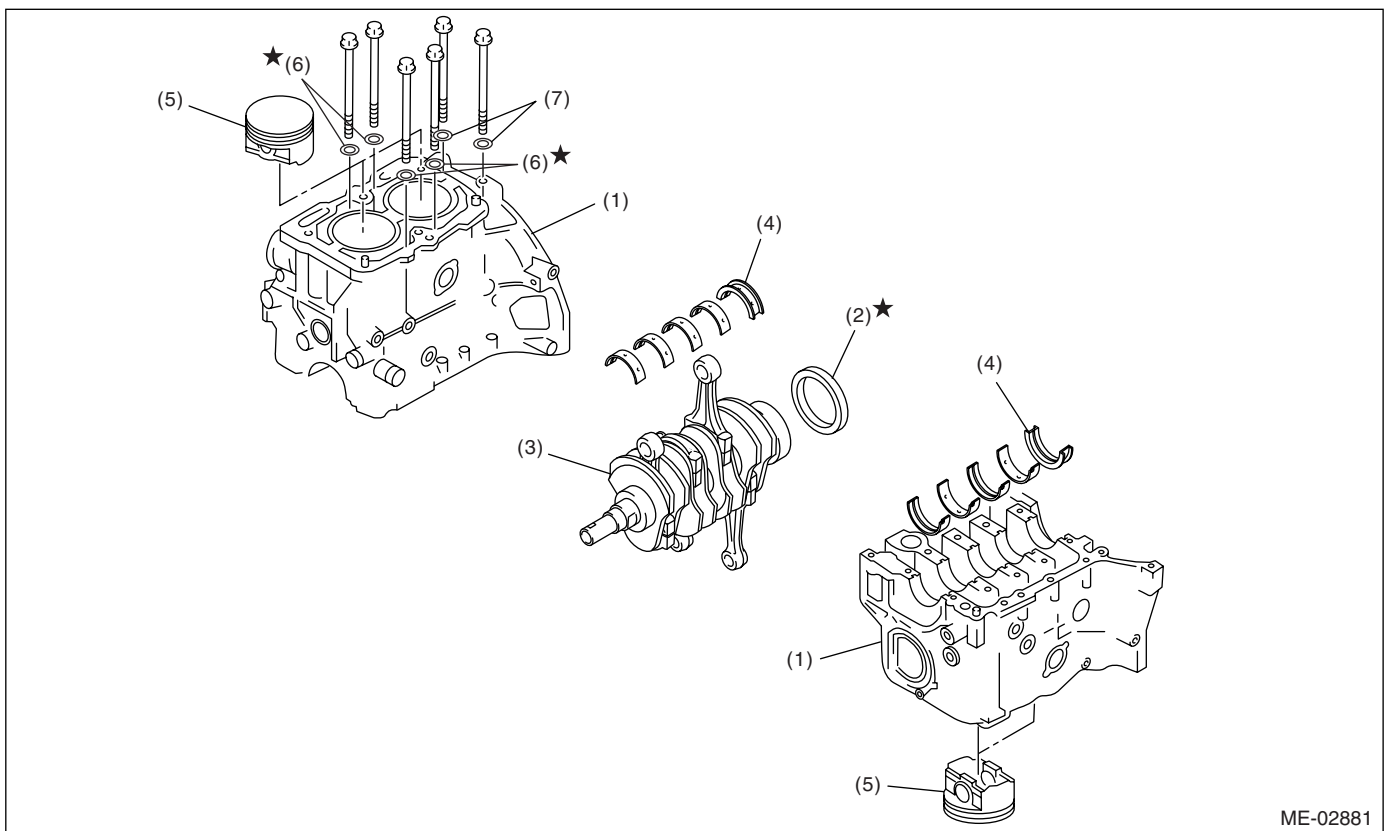
33) Back off the bolts which connect cylinder block on the side of #1 and #3 cylinders two or three turns.

34) Set up the cylinder block so that #1 and #3 cylinders are on the upper side, then remove the cylinder block connecting bolts.

35) Separate the cylinder block (RH) and (LH).

### NOTE:

When separating the cylinder block, do not allow the connecting rod to fall or damage the cylinder block.



(1) Cylinder block

(2) Rear oil seal

(3) Crankshaft

(4) Crankshaft bearing

(5) Piston

(6) Seal washer

(7) Washer

36) Remove the rear oil seal.

37) Remove the crankshaft together with connecting rod.

38) Remove the crankshaft bearings from cylinder block using a hammer handle.

### NOTE:

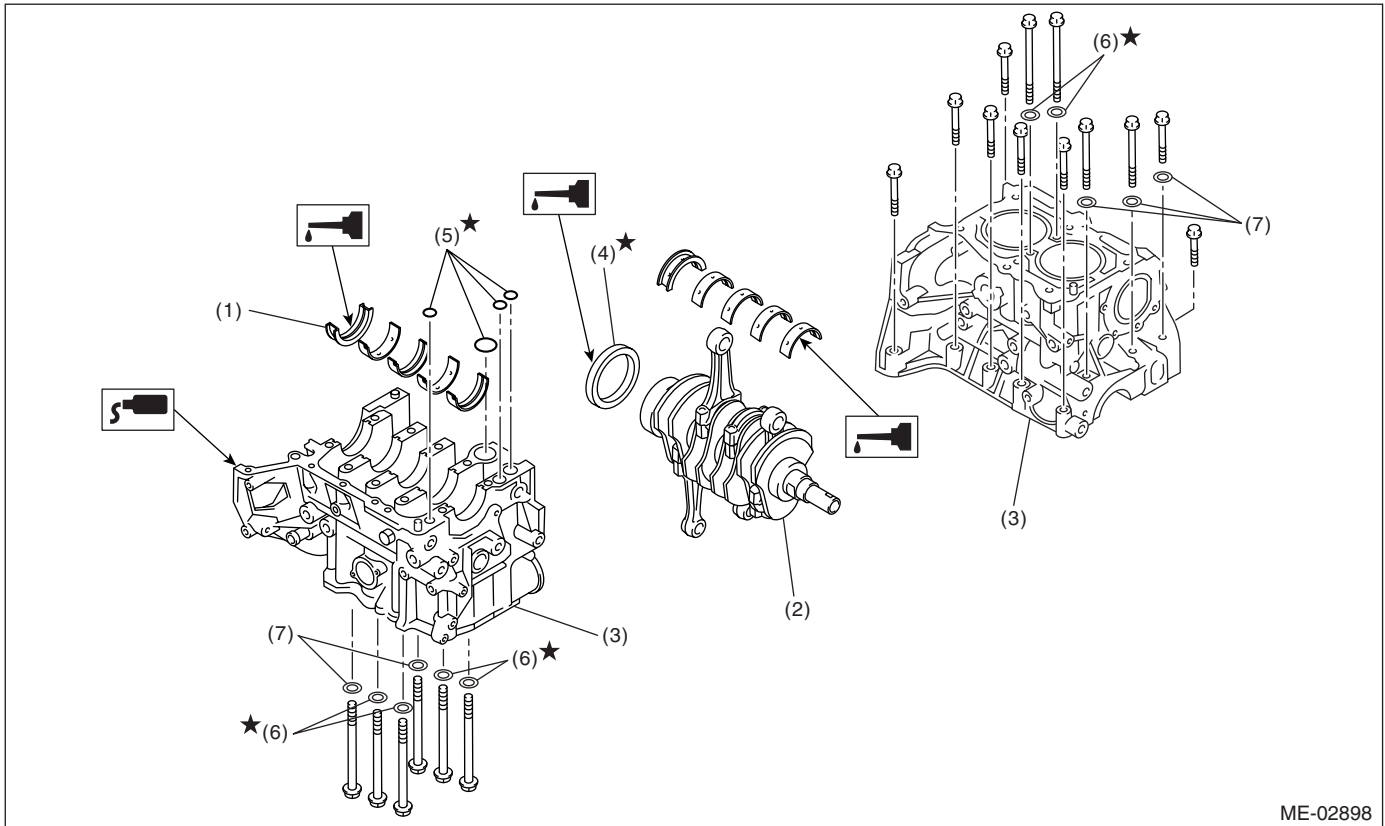
Be careful not to confuse the crankshaft bearing combination. Press the bearing at the end opposite to locking lip.

39) Draw out each piston from cylinder block using a wooden bar or hammer handle.

### NOTE:

Be careful not to confuse the original combination of piston and cylinder.

## B: INSTALLATION



- |                        |                   |            |
|------------------------|-------------------|------------|
| (1) Crankshaft bearing | (4) Rear oil seal | (7) Washer |
| (2) Crankshaft         | (5) O-ring        |            |
| (3) Cylinder block     | (6) Seal washer   |            |

**NOTE:**

Remove oil on the mating surface of bearing and cylinder block before installation. Apply engine oil to crankshaft pins.

1) Position the crankshaft and O-ring on the #1 and #3 cylinder block.

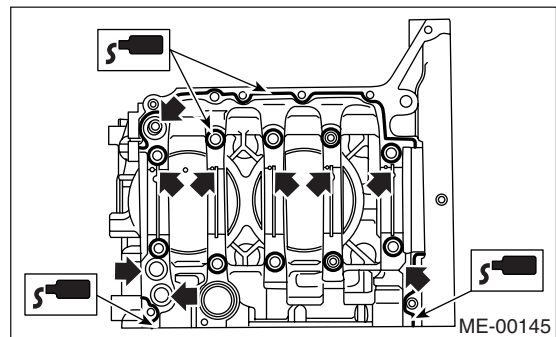
2) Apply liquid gasket to the mating surface of #1 and #3 cylinder block, and position #2 and #4 cylinder block.

**Liquid gasket:**

**THREE BOND 1215 (Part No. 004403007) or equivalent**

**NOTE:**

Do not allow liquid gasket to flow into O-ring grooves, oil passages, bearing grooves, etc.



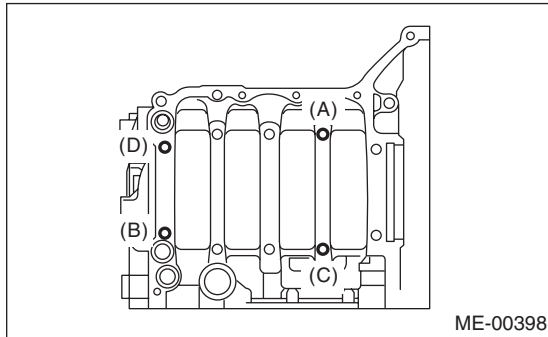
- 3) Apply engine oil to washers and thread of bolts.  
 4) Tighten the 10 mm cylinder block connecting bolts on LH side (A — D) in alphabetical sequence.

# Cylinder Block

MECHANICAL

**Tightening torque:**

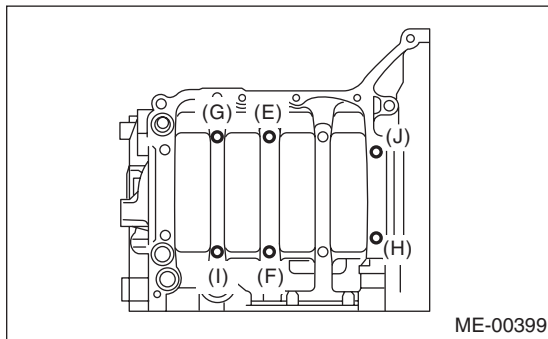
**10 N·m (1.0 kgf·m, 7.4 ft·lb)**



5) Tighten the 10 mm cylinder block connecting bolts on RH side (E — J) in alphabetical sequence.

**Tightening torque:**

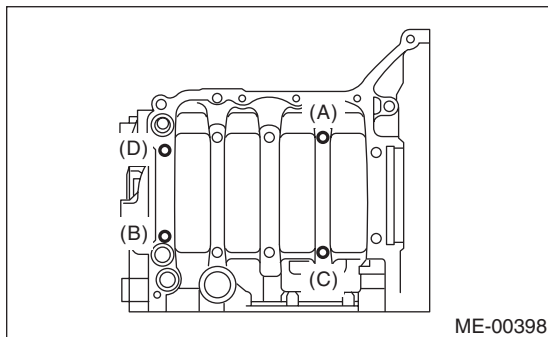
**10 N·m (1.0 kgf·m, 7.4 ft·lb)**



6) Further tighten the LH side bolts (A — D) in alphabetical sequence.

**Tightening torque:**

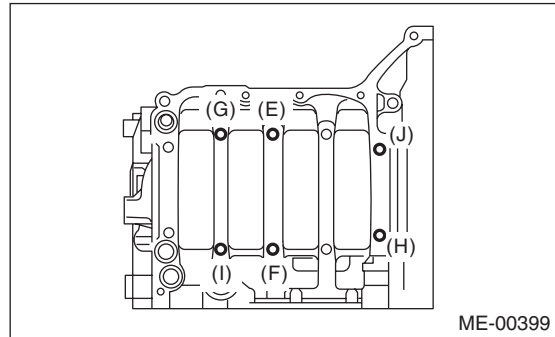
**18 N·m (1.8 kgf·m, 13.3 ft·lb)**



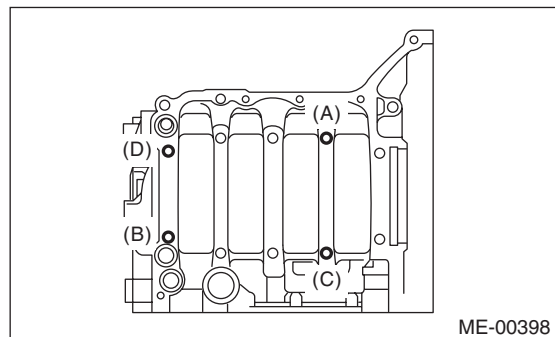
7) Further tighten the RH side bolts (E — J) in alphabetical sequence.

**Tightening torque:**

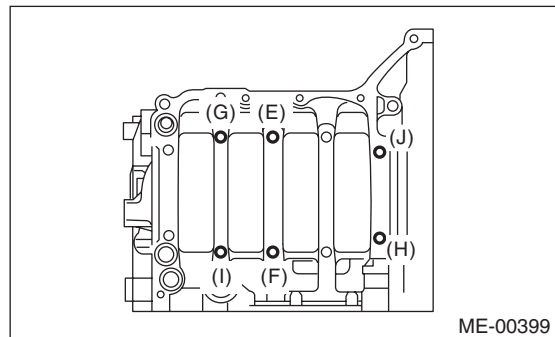
**18 N·m (1.8 kgf·m, 13.3 ft·lb)**



8) Further tighten the LH side bolts (A), (C) to 90°, (B), (D) to 40 N·m (4.1 kgf·m, 29.5 ft·lb) in alphabetical sequence.



9) Further tighten the RH side bolts (E — J) to 90° in alphabetical sequence.

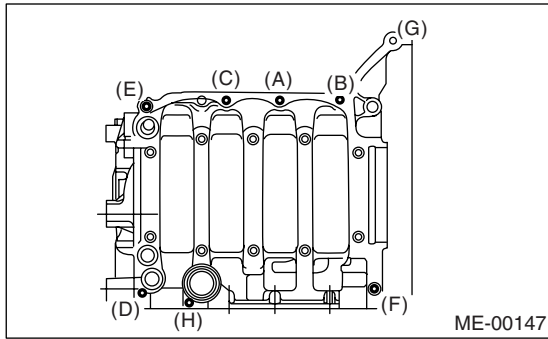


10) Tighten the 8 mm and 6 mm cylinder block connecting bolts on LH side (A — H) in alphabetical sequence.

**Tightening torque:**

**(A) — (G): 25 N·m (2.5 kgf·m, 18.4 ft·lb)**

**(H): 6.4 N·m (0.65 kgf·m, 4.7 ft·lb)**



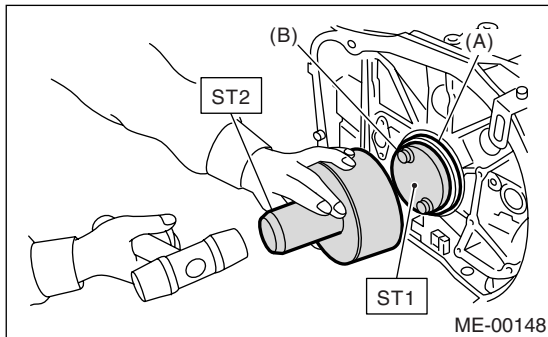
11) Apply engine oil to the outer perimeter of rear oil seal, and install the rear oil seal using ST1 and ST2.

**NOTE:**

Use a new rear oil seal.

ST1 499597100 CRANKSHAFT OIL SEAL GUIDE

ST2 499587200 CRANKSHAFT OIL SEAL INSTALLER



(A) Rear oil seal

(B) Flywheel attaching bolt

12) Position the top ring gap at (A) or (B) in the figure.

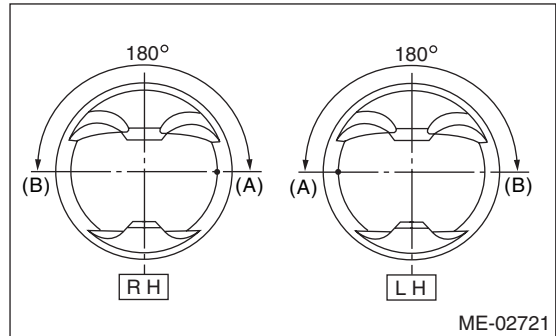
**NOTE:**

Assemble the piston ring with stamped mark “R” facing toward upside of piston.

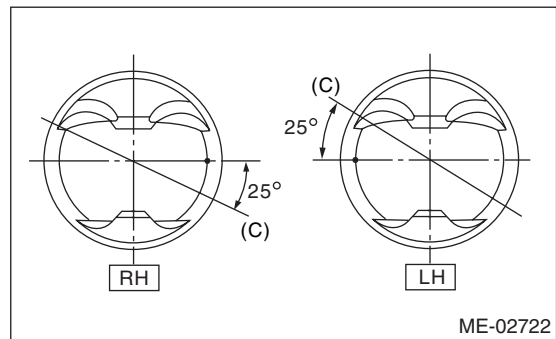
13) Position the second ring gap at 180° on the reverse side of the top ring gap.

**NOTE:**

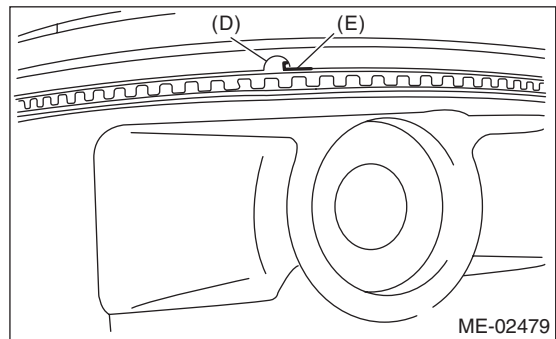
Assemble the piston ring with stamped mark “R” facing toward upside of piston.



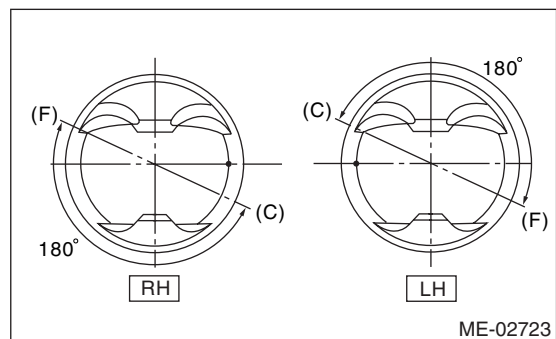
14) Position the upper rail gap at (C) in the figure.



15) Align upper rail spin stopper (E) with piston side surface hole (D).



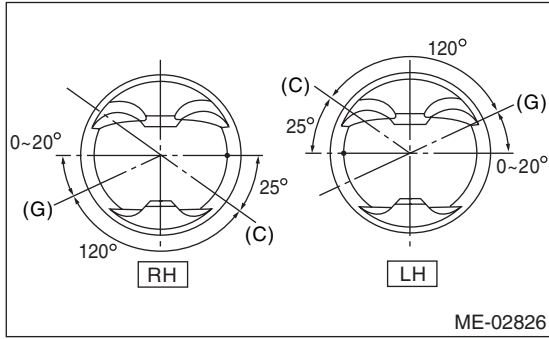
16) Position the expander gap on the opposite side position (F) 180° away from upper rail gap position (C).



# Cylinder Block

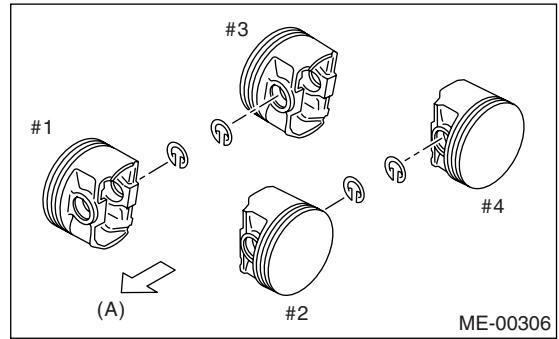
## MECHANICAL

17) Position the lower rail gap on the position (G) 120° away from upper rail gap position (C).



ME-02826

NOTE:  
Use new snap rings.



ME-00306

(A) Front side

### CAUTION:

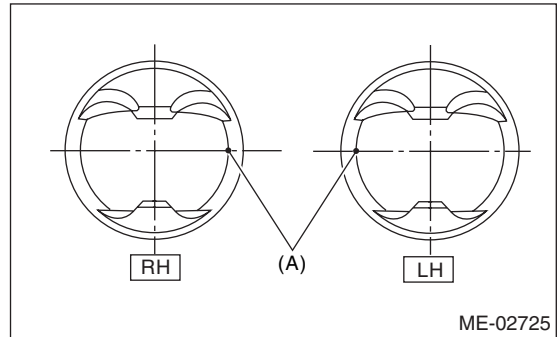
- Ensure ring gaps do not face the same direction.
- Ensure ring gaps are not within the piston skirt area.

18) Install the snap ring.

Install snap rings in the piston holes located opposite to the service holes in cylinder block, when positioning all pistons in the corresponding cylinders.

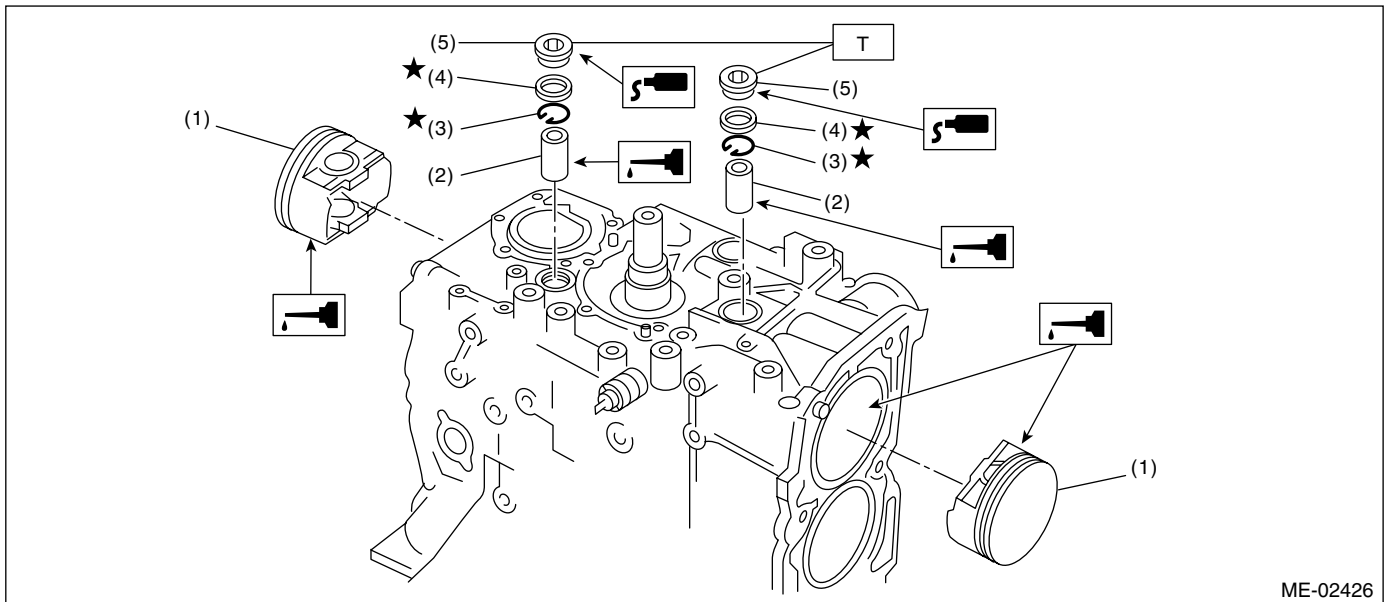
### CAUTION:

Piston front mark faces towards the front of engine.



ME-02725

(A) Front mark



ME-02426

- |                |                       |
|----------------|-----------------------|
| (1) Piston     | (4) Gasket            |
| (2) Piston pin | (5) Service hole plug |
| (3) Snap ring  |                       |

**Tightening torque: N·m (kgf·m, ft·lb)**  
**T: 70 (7.1, 50.6)**



# Cylinder Block

MECHANICAL

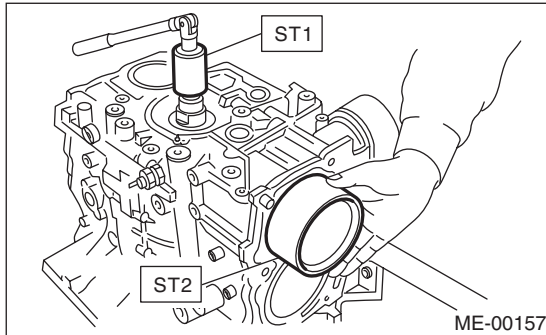
19) Install the piston.

- (1) Place the cylinder block to face the #1 and #2 cylinder side upward.
- (2) Using ST1, turn the crankshaft so that #1 and #2 connecting rods are set at bottom dead center.

ST1 499987500 CRANKSHAFT SOCKET

- (3) Apply a coat of engine oil to the pistons and cylinders and insert pistons in their cylinders using ST2.

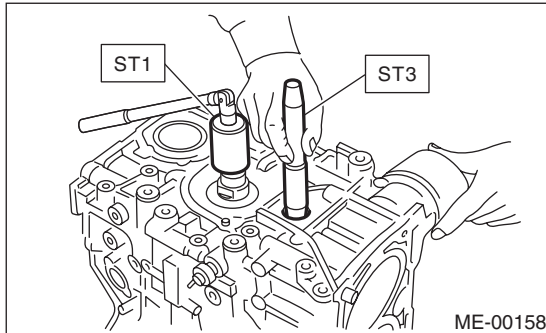
ST2 498747300 PISTON GUIDE



20) Install the piston pin.

- (1) Apply a coat of engine oil to ST3.
- (2) Insert ST3 into the service hole to align piston pin hole with connecting rod small end.

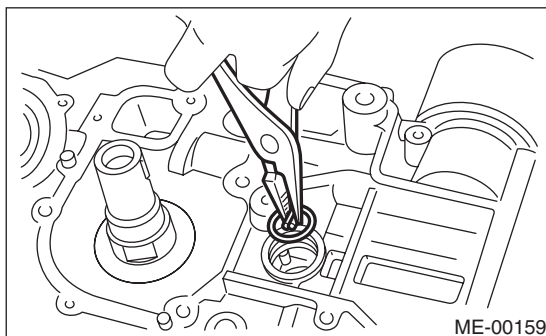
ST3 499017100 PISTON PIN GUIDE



- (3) Apply a coat of engine oil to piston pin, and insert the piston pin into piston and connecting rod through service hole.
- (4) Install the snap ring.

NOTE:

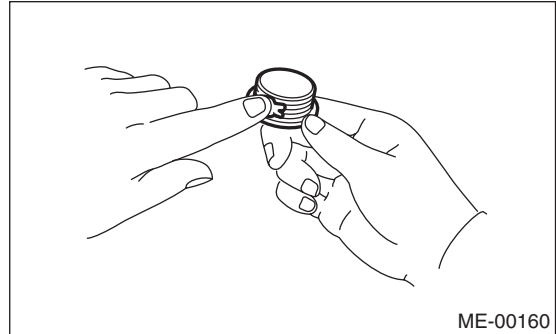
Use new snap rings.



- (5) Apply liquid gasket around the service hole plug.

**Liquid gasket:**

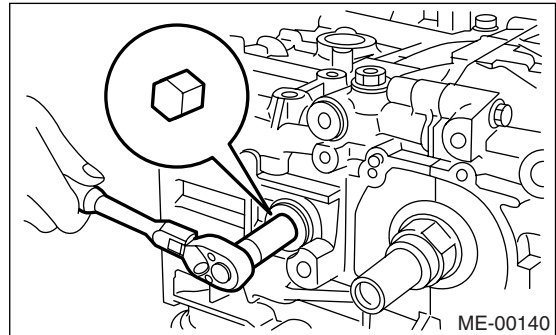
**THREE BOND 1105 (Part No. 004403010) or equivalent**



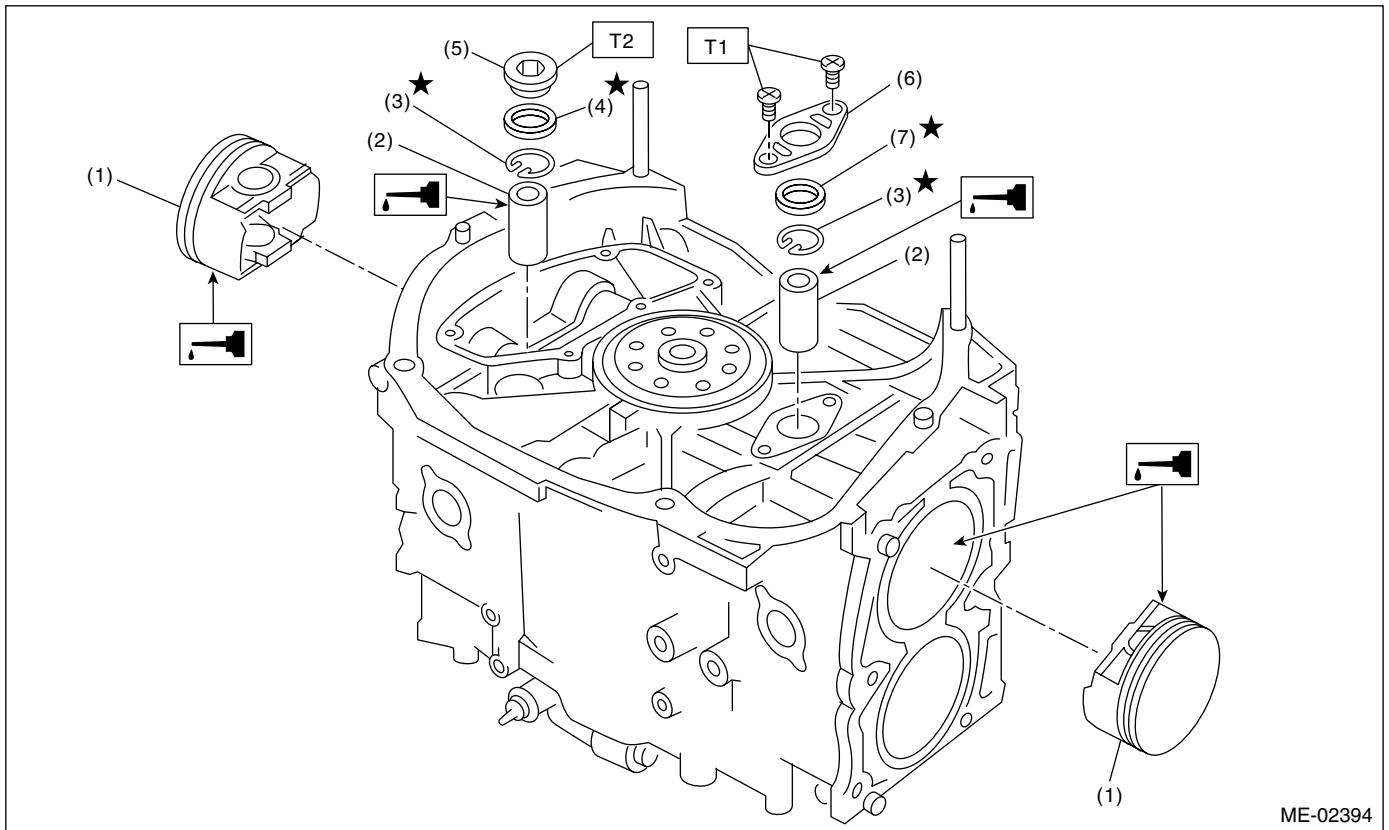
- (6) Install the service hole plug and gasket.

NOTE:

Use a new gasket.



# Cylinder Block



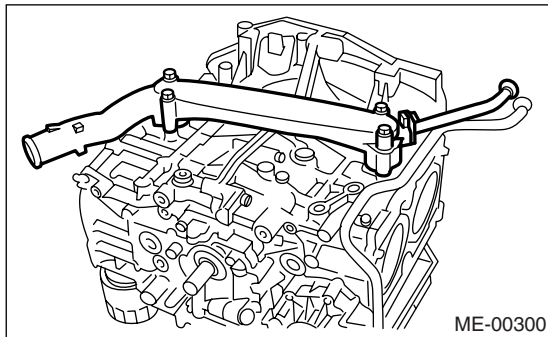
- (1) Piston
- (2) Piston pin
- (3) Snap ring
- (4) Gasket
- (5) Service hole plug
- (6) Service hole cover
- (7) O-ring

**Tightening torque: N-m (kgf-m, ft-lb)**  
**T1: 6.4 (0.65, 4.7)**  
**T2: 70 (7.1, 50.6)**

- (7) Place the cylinder block to face the #3 and #4 cylinder sides upward. Following the same procedures as used for #1 and #2 cylinders, install the pistons and piston pins.
- 21) Install the water pipe.

- 25) Apply liquid gasket to mating surfaces and install the oil pan.

**Liquid gasket:**  
**THREE BOND 1207C (Part No. 004403012) or equivalent**



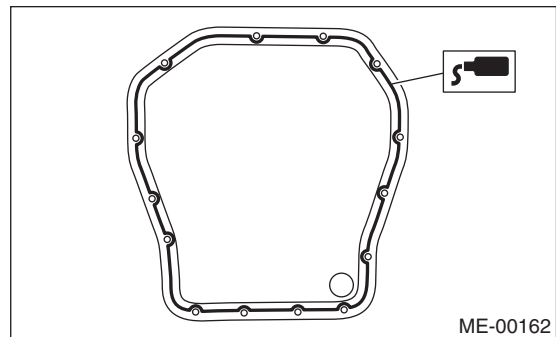
- 22) Install the baffle plate.

**Tightening torque:**  
**6.4 N-m (0.65 kgf-m, 4.7 ft-lb)**

- 23) Install the oil strainer and O-ring.

**Tightening torque:**  
**10 N-m (1.0 kgf-m, 7.4 ft-lb)**

- 24) Install the oil strainer stay.



- 26) Apply liquid gasket to the mating surfaces and threaded portion of bolt (A) as shown in the figure, and then install the oil separator cover.

# Cylinder Block

MECHANICAL

## Liquid gasket:

### Mating surface

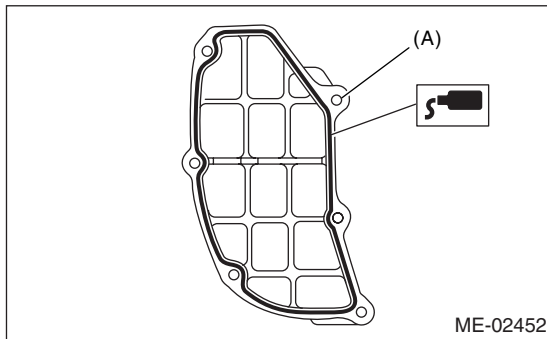
**THREE BOND 1207C (Part No. 004403012)  
or equivalent**

### Thread portion of bolt (A)

**THREE BOND 1324 (Part No. 004403042) or  
equivalent**

## Tightening torque:

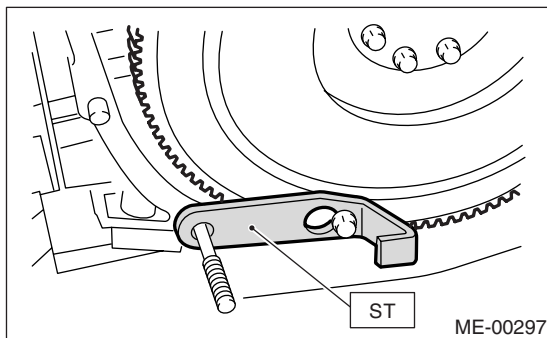
**6.4 N·m (0.65 kgf-m, 4.7 ft-lb)**



- 27) Install the flywheel. (MT model)  
<Ref. to CL-17, INSTALLATION, Flywheel.>  
To lock the crankshaft, use the ST.  
ST 498497100 CRANKSHAFT STOPPER

## Tightening torque:

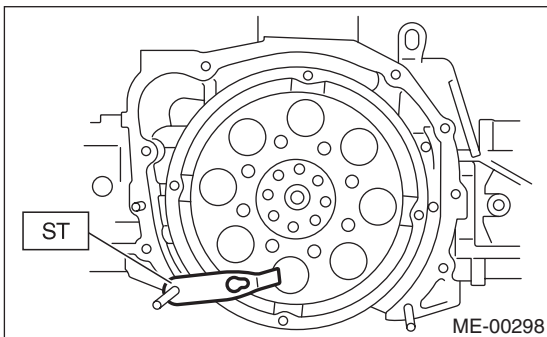
**72 N·m (7.3 kgf-m, 52.8 ft-lb)**



- 28) Install the drive plate.  
To lock the crankshaft, use the ST.  
ST 498497100 CRANKSHAFT STOPPER

## Tightening torque:

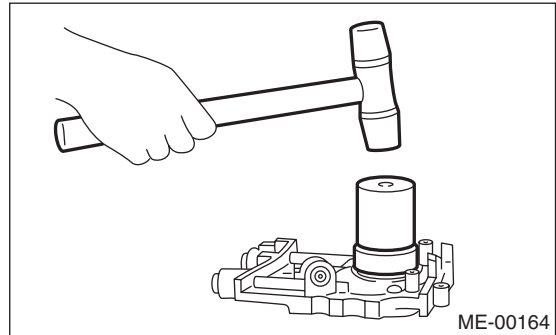
**72 N·m (7.3 kgf-m, 52.8 ft-lb)**



- 29) Install the housing cover.

## 30) Installation of oil pump:

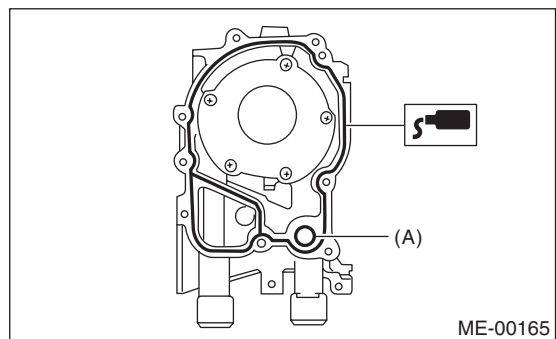
- (1) Discard the front oil seal after removal. Re-  
place with a new one using ST.  
ST 499587100 OIL SEAL INSTALLER



- (2) Apply liquid gasket to the matching surface  
of oil pump.

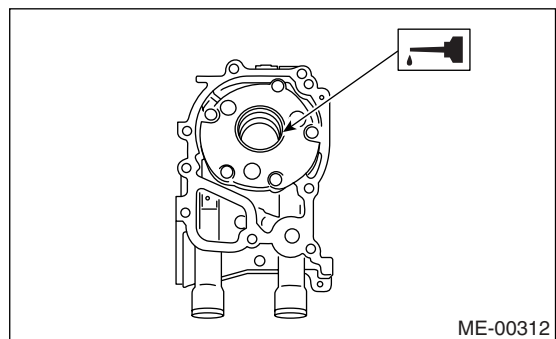
## Liquid gasket:

**THREE BOND 1215 (Part No. 004403007) or  
equivalent**



(A) O-ring

- (3) Apply a coat of engine oil to the inside of oil  
seal.



- (4) Install the oil pump on cylinder block. Be  
careful not to damage the oil seal during instal-  
lation.

## CAUTION:

- Make sure the oil seal lip is not folded.
- Do not forget to install the O-ring and seal  
when installing the oil pump.

- (5) Apply liquid gasket to the threaded portion  
of three bolts.

# Cylinder Block

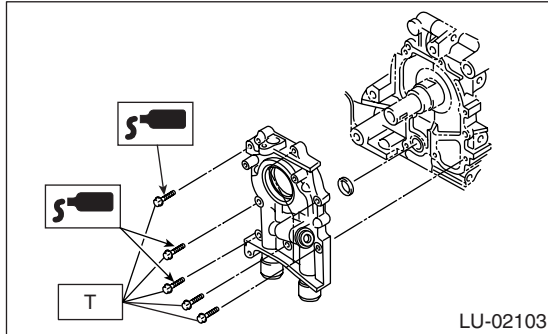
MECHANICAL

## Liquid gasket:

**THREE BOND 1324 (Part No. 004403042) or equivalent**

## Tightening torque:

**T: 6.4 N·m (0.65 kgf-m, 4.7 ft-lb)**



31) Install the water pump and gasket.

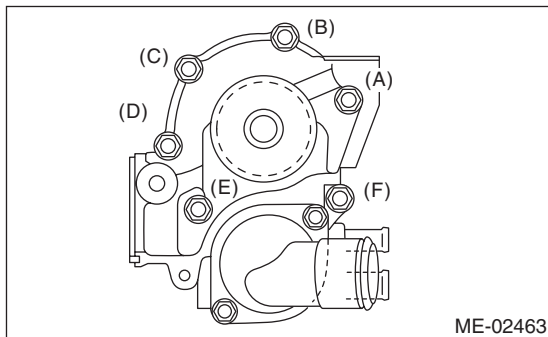
## Tightening torque:

**First: 12 N·m (1.2 kgf-m, 8.7 ft-lb)**

**Second: 12 N·m (1.2 kgf-m, 8.7 ft-lb)**

## CAUTION:

- Be sure to use a new gasket.
- When installing the water pump, tighten bolts in two stages in alphabetical sequence as shown in the figure.



32) Install the water by-pass pipe for heater.

33) Install the oil filter using ST.

ST 18332AA000 OIL FILTER WRENCH (Outer diameter: 68 mm (2.68 in))

ST 18332AA010 OIL FILTER WRENCH (Outer diameter: 65 mm (2.56 in))

## NOTE:

Standard oil filter is outer diameter of 68 mm (2.68 in). However, SUBARU genuine oil filter having outer diameter of 65 mm (2.56 in) can also be used.

Install the oil filter by turning it by hand, being careful not to damage the seal rubber.

- Tighten the oil filter 68 mm (2.68 in) in diameter by approx. 1 rotation more after the seal rubber of oil filter comes in contact with cylinder block or oil cooler. If using a torque wrench, tighten it to 14 N·m (1.4 kgf-m, 10.3 ft-lb).

- Tighten the oil filter 65 mm (2.56 in) in diameter by approx. 2/3 — 3/4 rotation more after the seal rubber of oil filter comes in contact with cylinder block or oil cooler. If using a torque wrench, tighten it to 12 N·m (1.2 kgf-m, 8.7 ft-lb).

## CAUTION:

**Do not tighten excessively, or oil may leak.**

34) Tighten the cylinder head bolts.

- (1) Apply a coat of engine oil to washers and bolt threads.
- (2) Tighten all bolts to 29 N·m (3.0 kgf-m, 22 ft-lb) in alphabetical sequence. Then tighten all bolts to 69 N·m (7.0 kgf-m, 51 ft-lb) in alphabetical sequence.
- (3) Back off all bolts by 180° in reverse order of installation, and back them off again by 180°.
- (4) Tighten all bolts to 42 N·m (4.3 kgf-m, 31 ft-lb) in alphabetical sequence.
- (5) Tighten all bolts by 80 — 90° in alphabetical sequence.
- (6) Tighten all bolts by 40 — 45° in alphabetical sequence.

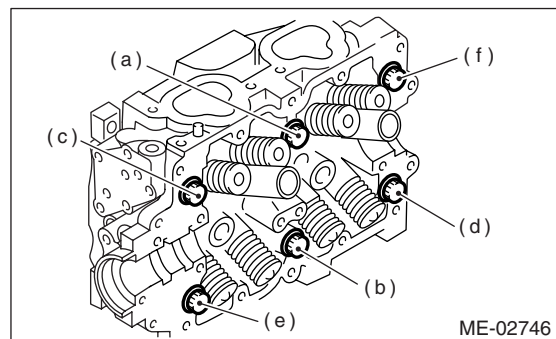
## CAUTION:

**Tightening angle of the bolt must not exceed 45°.**

- (7) Further tighten the bolts (a) and (b) by 40 — 45°.

## CAUTION:

**Total “re-tightening angle” of the step (6) and (7) must not exceed 90°.**



35) Install the oil level gauge guide and tighten the bolt. (LH side)

36) Install the rocker cover and rocker cover gasket.

## NOTE:

Use new rocker cover gasket.

37) Install the crank sprocket.

<Ref. to ME(H4SO)-50, INSTALLATION, Crank Sprocket.>

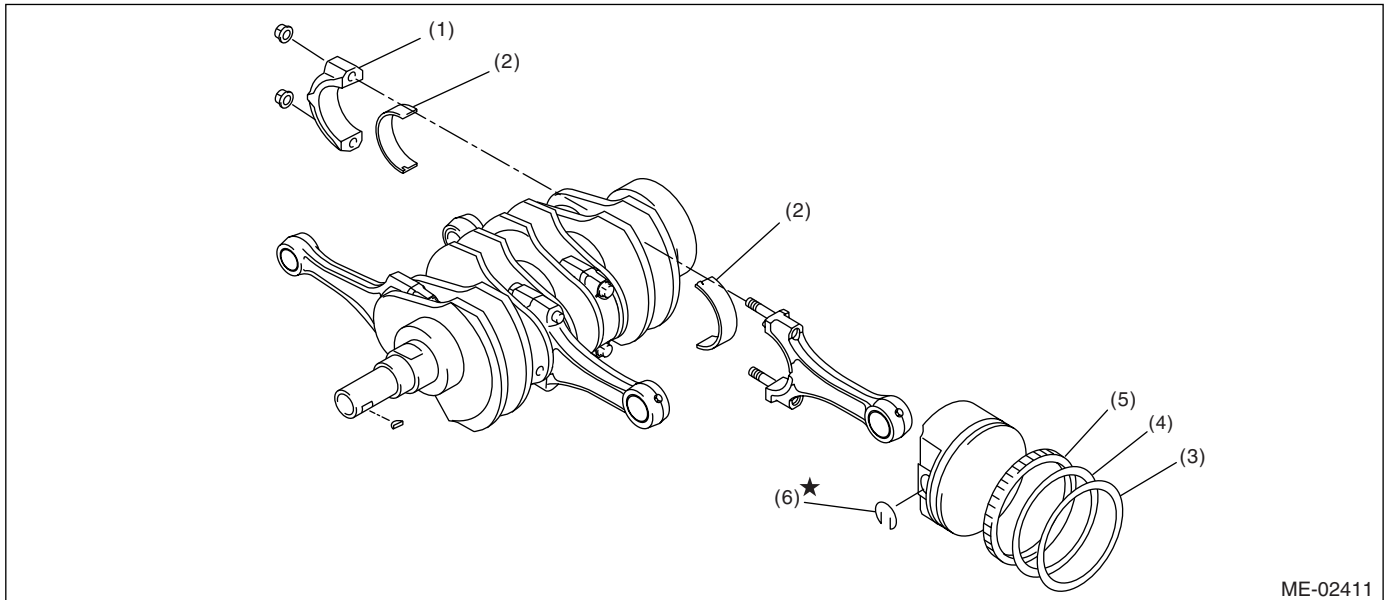
38) Install the cam sprocket. <Ref. to ME(H4SO)-49, INSTALLATION, Cam Sprocket.>

39) Install the timing belt. <Ref. to ME(H4SO)-45, INSTALLATION, Timing Belt.>

- 40) Install the timing belt cover.  
<Ref. to ME(H4SO)-43, INSTALLATION, Timing Belt Cover.>
- 41) Install the crank pulley. <Ref. to ME(H4SO)-42, INSTALLATION, Crank Pulley.>
- 42) Install the generator and A/C compressor brackets on cylinder head.

- 43) Install the V-belts. <Ref. to ME(H4SO)-40, INSTALLATION, V-belt.>
- 44) Install the intake manifold.  
<Ref. to FU(H4SO)-15, INSTALLATION, Intake Manifold.>

## C: DISASSEMBLY



- |                            |                 |               |
|----------------------------|-----------------|---------------|
| (1) Connecting rod cap     | (3) Top ring    | (5) Oil ring  |
| (2) Connecting rod bearing | (4) Second ring | (6) Snap ring |

- 1) Remove the connecting rod cap.
- 2) Remove the connecting rod bearing.

### NOTE:

Arrange the removed connecting rod, connecting rod cap and bearing in order, to prevent confusion.

- 3) Remove the piston rings using the piston ring expander.
- 4) Remove the oil ring by hand.

### NOTE:

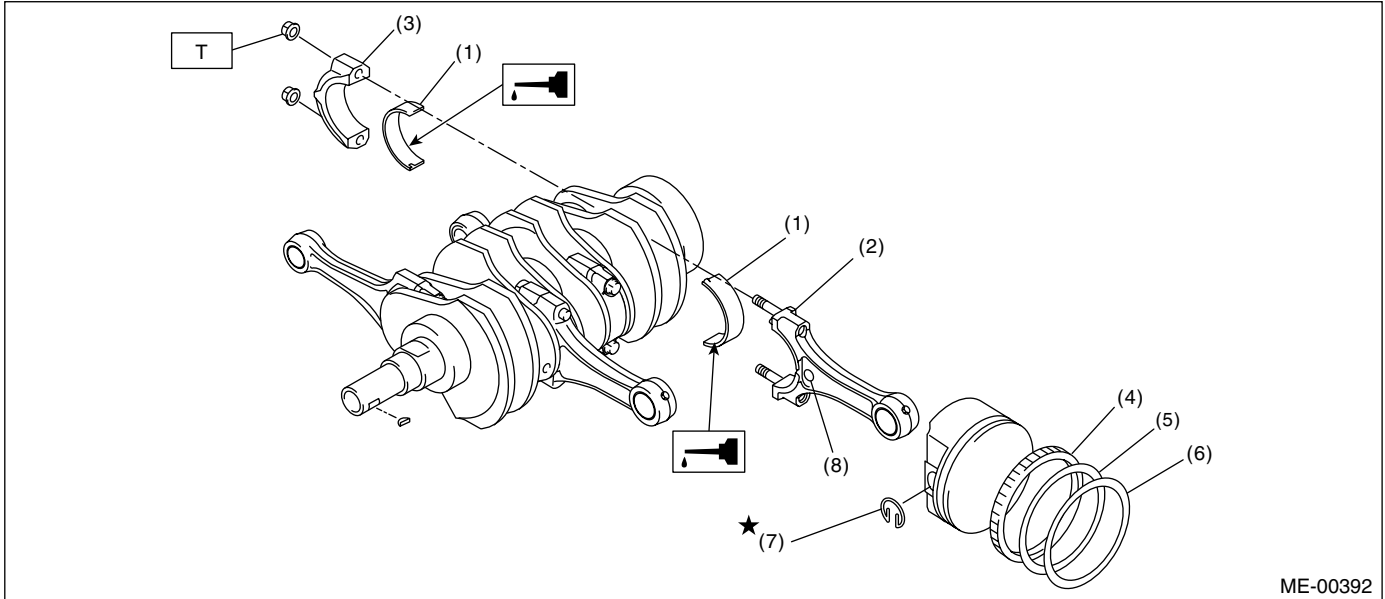
Arrange the removed piston rings in proper order, to prevent confusion.

- 5) Remove the snap ring.

# Cylinder Block

MECHANICAL

## D: ASSEMBLY



ME-00392

- |                            |                 |
|----------------------------|-----------------|
| (1) Connecting rod bearing | (5) Second ring |
| (2) Connecting rod         | (6) Top ring    |
| (3) Connecting rod cap     | (7) Snap ring   |
| (4) Oil ring               | (8) Side mark   |

**Tightening torque: N·m (kgf·m, ft·lb)**  
**T: 45 (4.6, 33.2)**

- 1) Apply oil to the surfaces of the connecting rod bearings.
- 2) Install the connecting rod bearings on connecting rods and connecting rod caps.
- 3) Position each connecting rod with the marked side facing forward, and install it.
- 4) Install the connecting rod cap with connecting rod nut.  
Ensure the connecting rod side mark faces toward front during installation.

### CAUTION:

- Each connecting rod has its own mating cap. Make sure that they are assembled correctly by checking their matching number.
- When tightening the connecting rod nuts, apply oil on the threads.

- 5) Install the expander, lower rail and upper rail in this order by hand. Install the second ring and top ring with a piston ring expander.

## E: INSPECTION

### 1. CYLINDER BLOCK

- 1) Visually check for cracks and damage. Especially, inspect the important parts by means of liquid penetrant tester.
- 2) Check the oil passages for clogging.
- 3) Inspect the cylinder block surface that mates with cylinder head for warping by using a straight edge, and correct by grinding if necessary.

### Warping limit:

**0.025 mm (0.00098 in)**

### Grinding limit:

**0.1 mm (0.004 in)**

### Standard height of cylinder block:

**201.0 mm (7.91 in)**

## 2. CYLINDER AND PISTON

- 1) The cylinder bore size is stamped on the cylinder block's front upper surface.

### NOTE:

- Measurement should be performed at a temperature of 20°C (68°F).
- Standard sized pistons are classified into two grades, "A" and "B". These grades should be used as guide lines in selecting a standard piston.

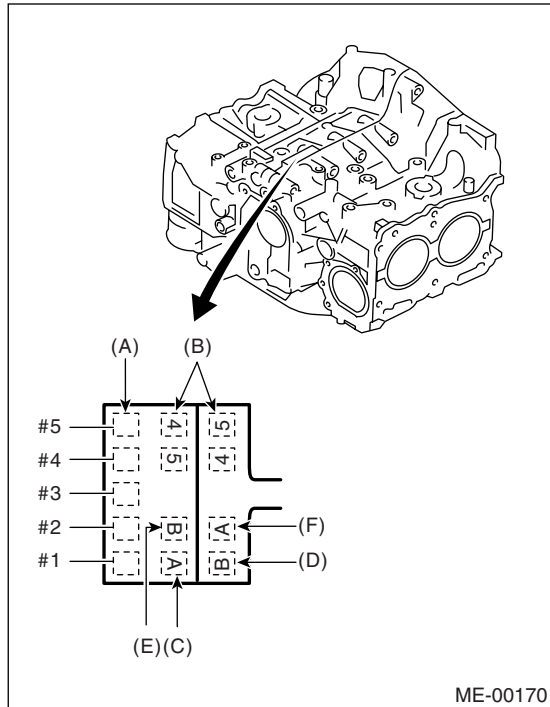
# Cylinder Block

MECHANICAL

## Standard diameter:

**A: 99.505 — 99.515 mm (3.9175 — 3.9179 in)**

**B: 99.495 — 99.505 mm (3.9171 — 3.9175 in)**



ME-00170

- (A) Main journal size mark
- (B) Cylinder block (RH)- (LH) combination mark
- (C) #1 cylinder bore size mark
- (D) #2 cylinder bore size mark
- (E) #3 cylinder bore size mark
- (F) #4 cylinder bore size mark

2) How to measure the inner diameter of each cylinder:

Measure the inner diameter of each cylinder in both the thrust and piston pin directions at the heights as shown in the figure, using a cylinder bore gauge.

### NOTE:

Measurement should be performed at a temperature of 20°C (68°F).

## Taper:

### Standard

**0.015 mm (0.0006 in)**

### Limit

**0.050 mm (0.0020 in)**

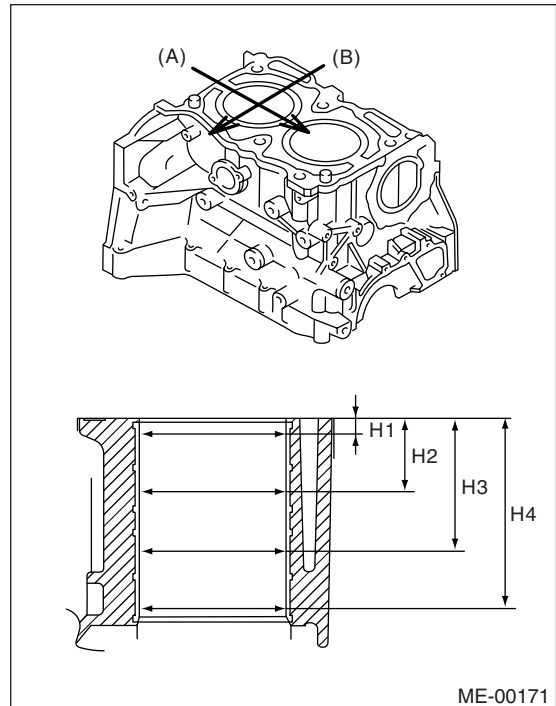
## Out-of-roundness:

### Standard

**0.010 mm (0.0004 in)**

### Limit

**0.050 mm (0.0020 in)**



ME-00171

- (A) Piston pin direction
- (B) Thrust direction
- H1 10 mm (0.39 in)
- H2 45 mm (1.77 in)
- H3 80 mm (3.15 in)
- H4 115 mm (4.53 in)

3) When the piston is to be replaced due to general or cylinder wear, determine a suitable sized piston by measuring the piston clearance.

4) How to measure the outer diameter of each piston:

Measure the outer diameter of each piston at the height as shown in the figure. (Thrust direction)

### NOTE:

Measurement should be performed at a temperature of 20°C (68°F).

### Piston grade point H:

**38.2 mm (1.504 in)**

### Standard

**A: 99.505 — 99.515 mm (3.9175 — 3.9179 in)**

**B: 99.495 — 99.505 mm (3.9171 — 3.9175 in)**

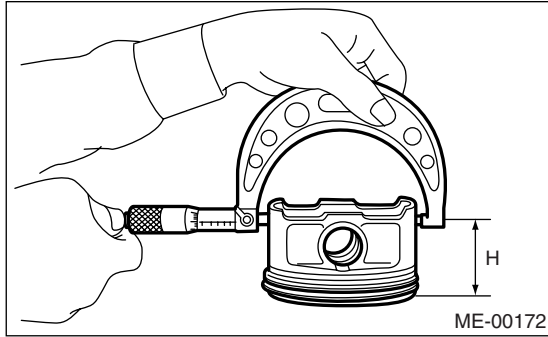
### 0.25 mm (0.0098 in) oversize

**99.745 — 99.765 mm (3.9270 — 3.9278 in)**

# Cylinder Block

MECHANICAL

**0.50 mm (0.0197 in) oversize**  
**99.995 — 100.015 mm (3.9368 — 3.9376 in)**



5) Calculate the clearance between cylinder and piston.

NOTE:

Measurement should be performed at a temperature of 20°C (68°F).

**Cylinder to piston clearance at 20°C (68°F):**

**Standard**

**-0.010 — 0.010 mm (-0.00039 — 0.00039 in)**

**Limit**

**0.030 mm (0.0012 in)**

6) Boring and honing

(1) If the value of taper, out-of-roundness, or cylinder-to-piston clearance measured exceeds the standard value or if there is any damage on the cylinder wall, rebore it to use an oversize piston.

**CAUTION:**

**When any of the cylinders needs reboring, all other cylinders must be bored at the same time, and use oversize pistons. Do not perform boring on one cylinder only. Nor use an oversize piston for one cylinder only.**

(2) If the cylinder inner diameter exceeds limit after boring and honing, replace the cylinder block.

**Limit of cylinder inner diameter (diameter):**

**100.005 mm (3.937 in)**

NOTE:

Immediately after reboring, the cylinder diameter may differ from its real diameter due to temperature rise. Thus, pay attention when measuring the cylinder diameter.

## 3. PISTON AND PISTON PIN

1) Check the pistons and piston pins for damage, cracks and wear, and the piston ring grooves for wear and damage. Replace if defective.

2) Measure the piston-to-cylinder clearance at each cylinder. <Ref. to ME(H4SO)-78, CYLINDER AND PISTON, INSPECTION, Cylinder Block.> If any of the clearances is not within the standard value, replace the piston. Or bore the cylinder to use an oversize piston.

3) Make sure that the piston pin can be inserted into the piston pin hole with a thumb at 20°C (68°F). Replace if defective.

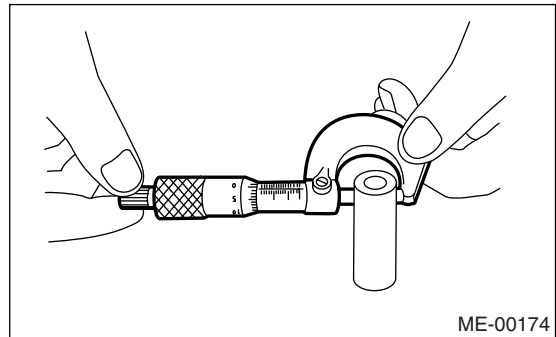
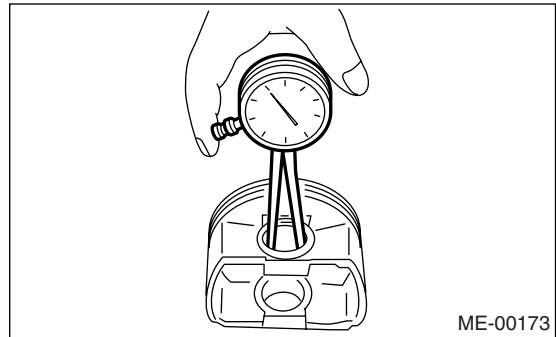
**Clearance between piston hole and piston pin:**

**Standard**

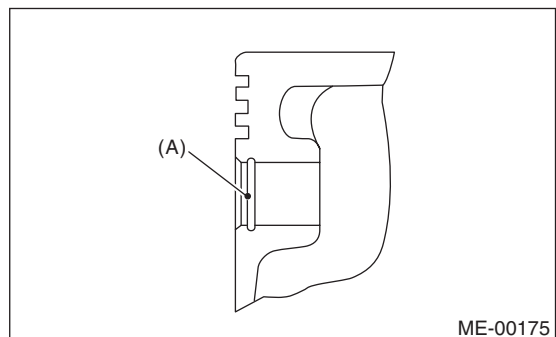
**0.004 — 0.008 mm (0.0002 — 0.0003 in)**

**Limit**

**0.020 mm (0.0008 in)**



4) Check the snap ring installation groove (A) on the piston for burr. If necessary, remove burr from the groove so that the piston pin can lightly move.



5) Check the piston pin snap ring for distortion, cracks and wear.

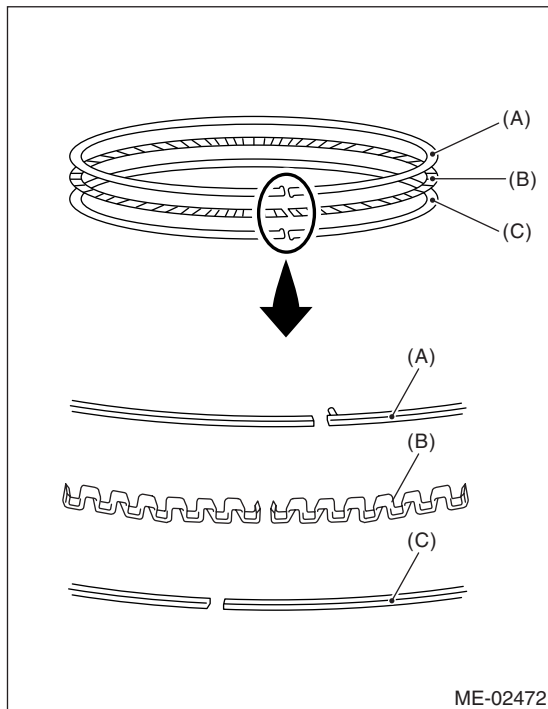


## 4. PISTON RING

1) If the piston ring is broken, damaged or worn, or if its tension is insufficient, or when the piston is replaced, replace the piston ring with a new one of the same size as the piston.

**CAUTION:**

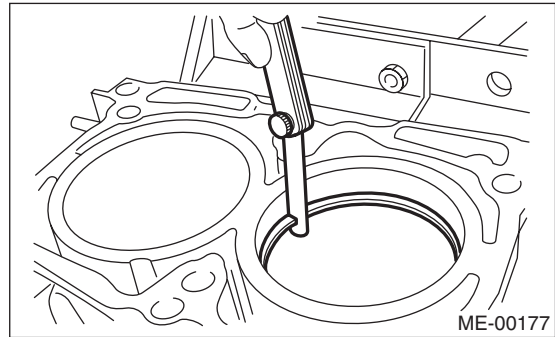
- Mark is displayed on the end of top and second rings. When installing the rings to the piston, face these marks upward.
- Oil ring consists of the upper rail, expander and lower rail. Be careful about the direction of rail when installing the oil ring to piston.



- (A) Upper rail
- (B) Expander
- (C) Lower rail

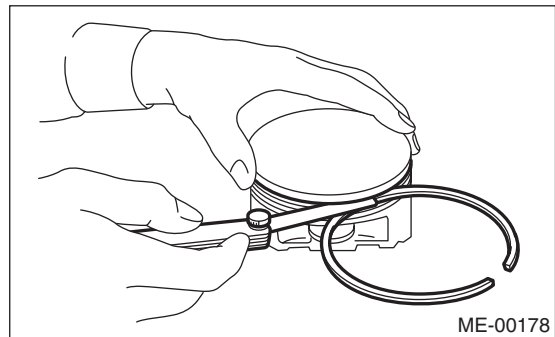
- 2) Clean the piston ring groove and piston ring.
- 3) Squarely place the piston ring and oil ring in cylinder, and measure the piston ring gap with a thickness gauge.

		Standard mm (in)	Limit mm (in)
Piston ring closed gap	Top ring	0.20 — 0.35 (0.0079 — 0.0138)	1.0 (0.039)
	Second ring	0.37 — 0.52 (0.0144 — 0.0203)	1.0 (0.039)
	Oil ring rail	0.20 — 0.50 (0.0079 — 0.0197)	1.5 (0.059)



4) Measure the clearance between piston ring and piston ring groove with a thickness gauge.

		Standard mm (in)	Limit mm (in)
Clearance between piston ring and piston ring groove	Top ring	0.040 — 0.080 (0.0016 — 0.0031)	0.15 (0.0059)
	Second ring	0.030 — 0.070 (0.0012 — 0.0028)	0.15 (0.0059)



## 5. CONNECTING ROD

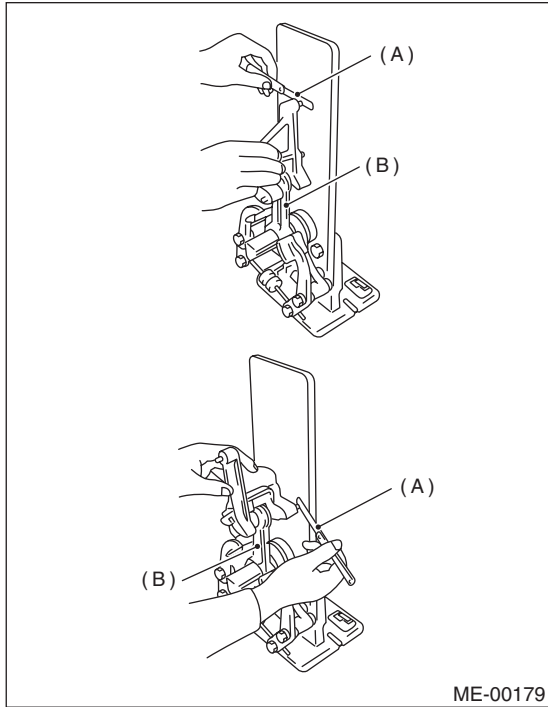
- 1) Replace the connecting rod, if the large or small end thrust surface is damaged.
- 2) Check for bend or twist using a connecting rod aligner. Replace the connecting rod if the bend or twist exceeds the limit.

# Cylinder Block

MECHANICAL

**Limit of bend or twist per 100 mm (3.94 in) in length:**

**0.10 mm (0.0039 in)**



- (A) Thickness gauge
- (B) Connecting rod

3) Install the connecting rod fitted with bearing to crankshaft and measure the side clearance (thrust clearance). If side clearance exceeds the limit, replace the connecting rod.

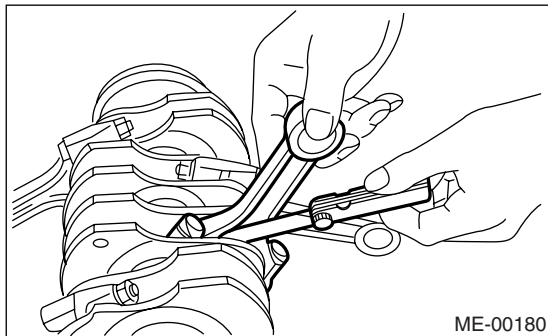
**Connecting rod side clearance:**

**Standard**

**0.070 — 0.330 mm (0.0028 — 0.0130 in)**

**Limit**

**0.4 mm (0.016 in)**



4) Inspect the connecting rod bearing for scar, peeling, seizure, melting, wear, etc.

5) Measure the oil clearance on individual connecting rod bearings by means of plastigauge. If any oil clearance is not within the specification, replace the defective bearing with a new one of standard size or undersize as necessary. (See the table below.)

**Connecting rod oil clearance:**

**Standard**

**0.016 — 0.044 mm (0.00063 — 0.0017 in)**

**Limit**

**0.05 mm (0.0020 in)**

Unit: mm (in)		
Bearings	Bearing size (Thickness at center)	Outer diameter of crank pin
Standard	1.492 — 1.501 (0.0587 — 0.0591)	51.984 — 52.000 (2.0466 — 2.0472)
0.03 (0.0012) undersize	1.510 — 1.513 (0.0594 — 0.0596)	51.954 — 51.970 (2.0454 — 2.0461)
0.05 (0.0020) undersize	1.520 — 1.523 (0.0598 — 0.0600)	51.934 — 51.950 (2.0446 — 2.0453)
0.25 (0.0098) undersize	1.620 — 1.623 (0.0638 — 0.0639)	51.734 — 51.750 (2.0368 — 2.0374)

6) Inspect the bushing at connecting rod small end, and replace if worn or damaged. Also measure the piston pin clearance at the connecting rod small end.

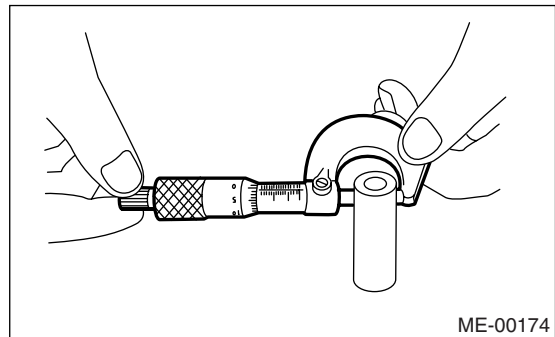
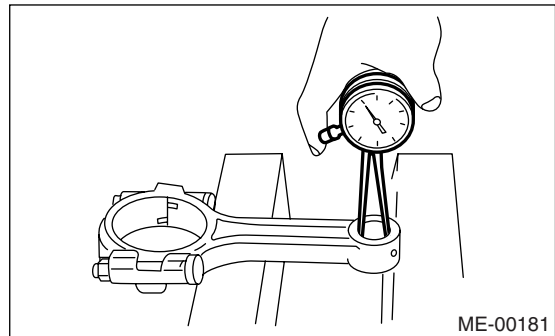
**Clearance between piston pin and bushing:**

**Standard**

**0 — 0.022 mm (0 — 0.0009 in)**

**Limit**

**0.030 mm (0.0012 in)**

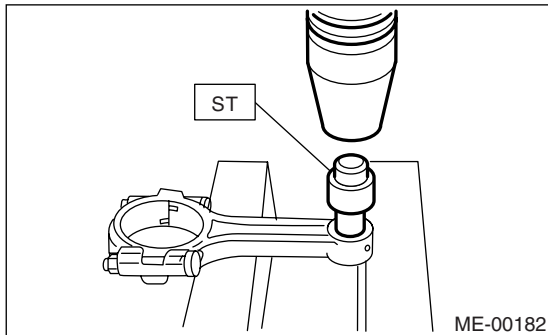


7) Replacement procedure is as follows.

(1) Remove the bushing from connecting rod with ST and press.

(2) Press the bushing with ST after applying oil on the periphery of bushing.

ST 499037100 CONNECTING ROD BUSHING REMOVER & INSTALLER



(3) Make two 3 mm (0.12 in)-holes in bushing. Ream the inside of bushing.

(4) After completion of reaming, clean the bushing to remove chips.

## 6. CRANKSHAFT AND CRANKSHAFT BEARING

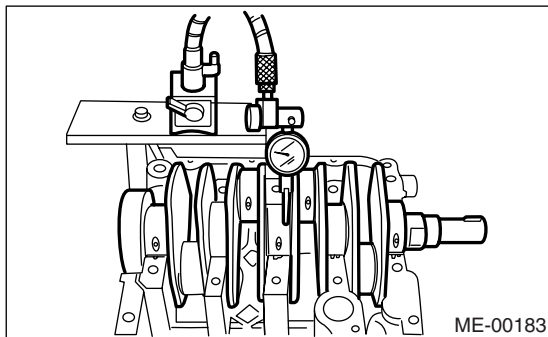
1) Clean the crankshaft completely, and check it for cracks using liquid penetrant tester. Replace if faulty.

2) Measure the bend of crankshaft. If it exceeds the limit, repair or replace it.

### NOTE:

If a suitable V-block is not available, install #1 and #5 crankshaft bearing on cylinder block, position the crankshaft on these bearings, and then measure the crankshaft bend using a dial gauge.

**Crankshaft bend limit:**  
**0.035 mm (0.0014 in)**



3) Inspect the crank journal and crank pin for wear. If they are not within the specifications, replace the bearing with a suitable (undersize) one, and replace or recondition crankshaft as necessary. When grinding the crank journal or crank pin, finish them to the specified dimensions according to the undersize bearing to be used.

### Crank pin:

#### Out-of-roundness

0.003 mm (0.0001 in)

#### Cylindricality

0.004 mm (0.0002 in)

#### Grinding limit

To 51.750 mm (2.0374 in) dia.

### Crank journal:

#### Out-of-roundness

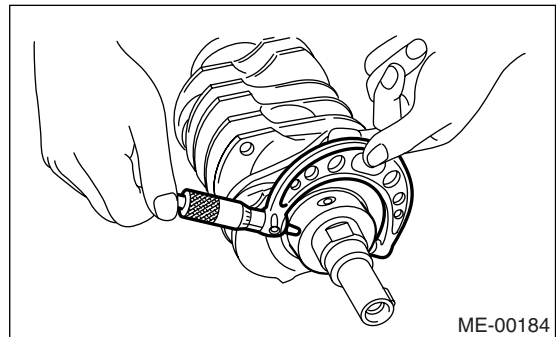
0.005 mm (0.0002 in)

#### Cylindricality

0.006 mm (0.0002 in)

#### Grinding limit

To 59.750 mm (2.3524 in) dia.



# Cylinder Block

MECHANICAL

		Unit: mm (in)		
		Crank journal outer diameter		Crank pin outer diameter
		#1, #3	#2, #4, #5	
Standard	Journal O.D.	59.992 — 60.008 (2.3619 — 2.3625)	59.992 — 60.008 (2.3619 — 2.3625)	51.984 — 52.000 (2.0466 — 2.0472)
	Bearing size (Thickness at center)	1.998 — 2.011 (0.0787 — 0.0792)	2.000 — 2.013 (0.0787 — 0.0793)	1.492 — 1.501 (0.0587 — 0.0591)
0.03 (0.0012) undersize	Journal O.D.	59.962 — 59.978 (2.3607 — 2.3613)	59.962 — 59.978 (2.3607 — 2.3613)	51.954 — 51.970 (2.0454 — 2.0461)
	Bearing size (Thickness at center)	2.017 — 2.020 (0.0794 — 0.0795)	2.019 — 2.022 (0.0795 — 0.0796)	1.510 — 1.513 (0.0594 — 0.0596)
0.05 (0.0020) undersize	Journal O.D.	59.942 — 59.958 (2.3599 — 2.3605)	59.942 — 59.958 (2.3599 — 2.3605)	51.934 — 51.950 (2.0446 — 2.0453)
	Bearing size (Thickness at center)	2.027 — 2.030 (0.0798 — 0.0799)	2.029 — 2.032 (0.0799 — 0.0800)	1.520 — 1.523 (0.0598 — 0.0600)
0.25 (0.0098) undersize	Journal O.D.	59.742 — 59.758 (2.3520 — 2.3527)	59.742 — 59.758 (2.3520 — 2.3527)	51.734 — 51.750 (2.0368 — 2.0374)
	Bearing size (Thickness at center)	2.127 — 2.130 (0.0837 — 0.0839)	2.129 — 2.132 (0.0838 — 0.0839)	1.620 — 1.623 (0.0638 — 0.0639)

4) Measure the side clearance of crankshaft at center bearing. If clearance exceeds the limit, replace the bearing.

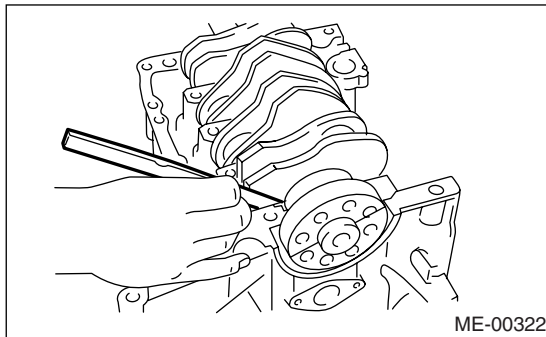
### **Crankshaft side clearance:**

#### **Standard**

**0.030 — 0.115 mm (0.0012 — 0.0045 in)**

#### **Limit**

**0.25 mm (0.0098 in)**



5) Inspect individual crankshaft bearings for signs of flaking, seizure, melting and wear.

6) Measure the oil clearance on each crankshaft bearing by means of plastigauge. If the measurement is not within the specification, replace the defective bearing with an undersize one, and replace or recondition the crankshaft as necessary.

### **Crankshaft oil clearance:**

#### **Standard**

**0.010 — 0.030 mm (0.0004 — 0.0012 in)**

#### **Limit**

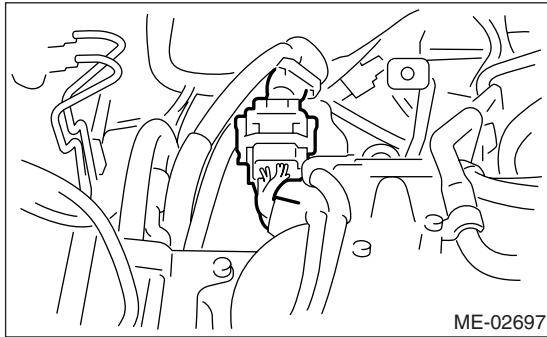
**0.040 mm (0.0016 in)**

## 22.Oil Switching Solenoid Valve

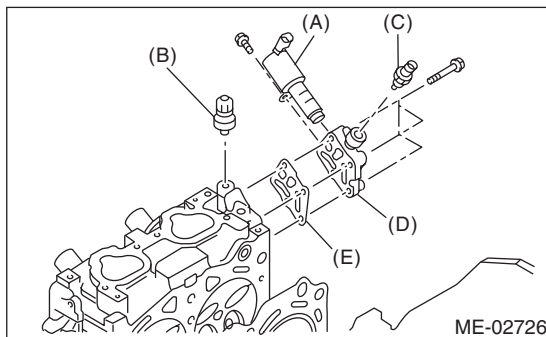
### A: REMOVAL

#### 1. RH SIDE

- 1) Disconnect the ground cable from battery.
- 2) Remove the air intake chamber. <Ref. to IN(H4SO)-6, REMOVAL, Air Intake Chamber.>
- 3) Remove the engine harness connector from bracket.



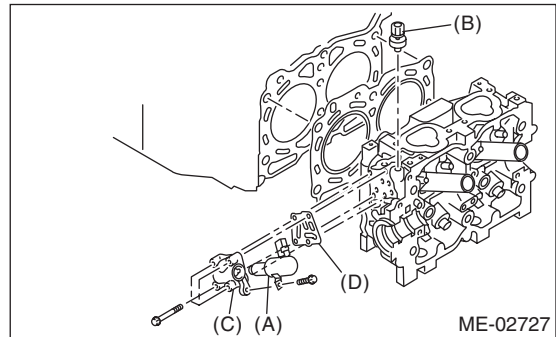
- 4) Disconnect the connector from the oil switching solenoid valve.
- 5) Remove the oil switching solenoid valve.
- 6) Remove the variable valve lift diagnosis oil pressure switch. <Ref. to FU(H4SO)-34, REMOVAL, Variable Valve Lift Diagnosis Oil Pressure Switch.>
- 7) Remove the oil temperature sensor. <Ref. to FU(H4SO)-35, REMOVAL, Oil Temperature Sensor.>
- 8) Remove the oil switching solenoid valve holder from cylinder head.



- (A) Oil switching solenoid valve
- (B) Variable valve lift diagnosis oil pressure switch
- (C) Oil temperature sensor
- (D) Oil switching solenoid valve holder
- (E) Gasket

#### 2. LH SIDE

- 1) Disconnect the ground cable from battery.
- 2) Remove the V-belt. <Ref. to ME(H4SO)-40, REMOVAL, V-belt.>
- 3) Remove the crank pulley. <Ref. to ME(H4SO)-42, REMOVAL, Crank Pulley.>
- 4) Remove the timing belt cover. <Ref. to ME(H4SO)-43, REMOVAL, Timing Belt Cover.>
- 5) Remove the timing belt. <Ref. to ME(H4SO)-44, REMOVAL, Timing Belt.>
- 6) Remove the cam sprocket. <Ref. to ME(H4SO)-49, REMOVAL, Cam Sprocket.>
- 7) Remove the timing belt cover No. 2 (LH).
- 8) Disconnect the connector from the oil switching solenoid valve.
- 9) Remove the oil switching solenoid valve.
- 10) Remove the variable valve lift diagnosis oil pressure switch. <Ref. to FU(H4SO)-34, REMOVAL, Variable Valve Lift Diagnosis Oil Pressure Switch.>
- 11) Remove the oil switching solenoid valve holder from cylinder head.



- (A) Oil switching solenoid valve
- (B) Variable valve lift diagnosis oil pressure switch
- (C) Oil switching solenoid valve holder
- (D) Gasket

# Oil Switching Solenoid Valve

MECHANICAL

## B: INSTALLATION

### 1. RH SIDE

Install in the reverse order of removal.

NOTE:

- Apply liquid gasket to the thread of variable valve lift diagnosis oil pressure switch.
- Use a new gasket.

**Liquid gasket:**

**THREE BOND 1324 (Part No. 004403042)**

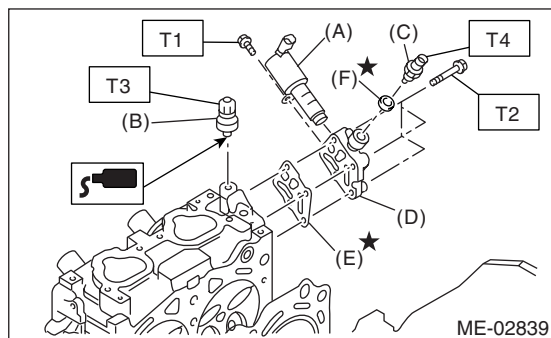
**Tightening torque:**

**T1: 6.4 N·m (0.65 kgf-m, 4.7 ft-lb)**

**T2: 10 N·m (1.0 kgf-m, 7.4 ft-lb)**

**T3: 17 N·m (1.7 kgf-m, 12.5 ft-lb)**

**T4: 18 N·m (1.8 kgf-m, 13.3 ft-lb)**



- (A) Oil switching solenoid valve
- (B) Variable valve lift diagnosis oil pressure switch
- (C) Oil temperature sensor
- (D) Oil switching solenoid valve holder
- (E) Gasket
- (F) Oil temperature sensor gasket

### 2. LH SIDE

Install in the reverse order of removal.

NOTE:

- Apply liquid gasket to the thread of variable valve lift diagnosis oil pressure switch.
- Use a new gasket.

**Liquid gasket:**

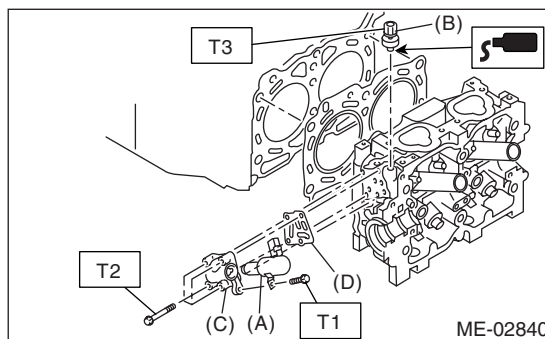
**THREE BOND 1324 (Part No. 004403042)**

**Tightening torque:**

**T1: 6.4 N·m (0.65 kgf-m, 4.7 ft-lb)**

**T2: 10 N·m (1.0 kgf-m, 7.4 ft-lb)**

**T3: 17 N·m (1.7 kgf-m, 12.5 ft-lb)**



- (A) Oil switching solenoid valve
- (B) Variable valve lift diagnosis oil pressure switch
- (C) Oil switching solenoid valve holder
- (D) Gasket

## 23. Intake and Exhaust Valve

### A: SPECIFICATION

For the removal and installation procedure of intake and exhaust valve, refer to "Cylinder Head". <Ref. to ME(H4SO)-58, REMOVAL, Cylinder Head.>  
<Ref. to ME(H4SO)-58, INSTALLATION, Cylinder Head.>

## 24.Piston

### A: SPECIFICATION

For the removal and installation procedure of piston, refer to "Cylinder Block". <Ref. to ME(H4SO)-65, REMOVAL, Cylinder Block.> <Ref. to ME(H4SO)-69, INSTALLATION, Cylinder Block.>



## 25.Connecting Rod

### A: SPECIFICATION

For the removal and installation procedure of connecting rod, refer to "Cylinder Block". <Ref. to ME(H4SO)-65, REMOVAL, Cylinder Block.> <Ref. to ME(H4SO)-69, INSTALLATION, Cylinder Block.>

## 26.Crankshaft

### A: SPECIFICATION

For the removal and installation procedure of crankshaft, refer to "Cylinder Block". <Ref. to ME(H4SO)-65, REMOVAL, Cylinder Block.> <Ref. to ME(H4SO)-69, INSTALLATION, Cylinder Block.>

## 27.Engine Trouble in General

### A: INSPECTION

NOTE:

“RANK” shown in the chart refers to the possibility of reason for the trouble in order (“Very often” to “Rarely”)

A — Very often

B — Sometimes

C — Rarely

Symptom	Problem parts, etc.	Possible cause	RANK
1. Engine does not start.			
1) Starter does not turn.	Starter	Defective battery-to-starter harness	B
		Defective starter switch	C
		Defective inhibitor switch	C
		Defective starter	B
	Battery	Poor terminal connection	A
		Run-down battery	A
		Defective charging system	B
	Friction	Seizure of crankshaft and connecting rod bearing	C
		Seized camshaft	C
Seized or stuck piston and cylinder		C	
2) Initial combustion does not occur.	Starter	Defective starter	C
	Engine control system <Ref. to EN(H4SO)(diag)-2, Basic Diagnostic Procedure.>		A
	Fuel line	Defective fuel pump and relay	A
		Clogged fuel line	A
		Lack of or insufficient fuel	B
	Belt	Trouble	B
		Defective timing	B
	Compression	Incorrect valve clearance	C
		Loosened spark plug or defective gasket	C
		Loosened cylinder head bolt or defective gasket	C
		Improper valve sealing	C
		Defective valve stem	C
		Worn or broken valve spring	B
Worn or stuck piston rings, cylinder and piston		C	
Incorrect valve timing		B	
Improper engine oil (low viscosity)	B		

# Engine Trouble in General

MECHANICAL

Symptom	Problem parts, etc.	Possible cause	RANK
3) Initial combustion occurs.	Engine control system <Ref. to EN(H4SO)(diag)-2, Basic Diagnostic Procedure.>		A
	Intake system	Defective intake manifold gasket	B
		Defective throttle body gasket	B
	Fuel line	Defective fuel pump and relay	C
		Clogged fuel line	C
		Lack of or insufficient fuel	B
	Belt	Trouble	B
		Defective timing	B
	Compression	Incorrect valve clearance	C
		Loosened spark plug or defective gasket	C
		Loosened cylinder head bolt or defective gasket	C
		Improper valve sealing	C
		Defective valve stem	C
		Worn or broken valve spring	B
		Worn or stuck piston rings, cylinder and piston	C
Incorrect valve timing		B	
Improper engine oil (low viscosity)		B	
4) Engine stalls after initial combustion.	Engine control system <Ref. to EN(H4SO)(diag)-2, Basic Diagnostic Procedure.>		A
	Intake system	Loosened or cracked intake duct	B
		Loosened or cracked PCV hose	C
		Loosened or cracked vacuum hose	C
		Defective intake manifold gasket	B
		Defective throttle body gasket	B
		Dirty air cleaner element	C
	Fuel line	Clogged fuel line	C
		Lack of or insufficient fuel	B
	Belt	Trouble	B
		Defective timing	B
	Compression	Incorrect valve clearance	C
		Loosened spark plug or defective gasket	C
		Loosened cylinder head bolt or defective gasket	C
		Improper valve sealing	C
Defective valve stem		C	
Worn or broken valve spring		B	
Worn or stuck piston rings, cylinder and piston		C	
Incorrect valve timing		B	
Improper engine oil (low viscosity)	B		

# Engine Trouble in General

MECHANICAL

Symptom	Problem parts, etc.	Possible cause	RANK
2. Rough idle and engine stall	Engine control system <Ref. to EN(H4SO)(diag)-2, Basic Diagnostic Procedure.>		A
	Intake system	Loosened or cracked intake duct	A
		Loosened or cracked PCV hose	A
		Loosened or cracked vacuum hose	A
		Defective intake manifold gasket	B
		Defective throttle body gasket	B
		Defective PCV valve	C
		Loosened oil filler cap	B
		Dirty air cleaner element	C
	Fuel line	Defective fuel pump and relay	C
		Clogged fuel line	C
		Lack of or insufficient fuel	B
	Belt	Defective timing	C
	Compression	Incorrect valve clearance	B
		Loosened spark plug or defective gasket	B
		Loosened cylinder head bolt or defective gasket	B
		Improper valve sealing	B
		Defective valve stem	C
		Worn or broken valve spring	B
		Worn or stuck piston rings, cylinder and piston	B
		Incorrect valve timing	A
		Improper engine oil (low viscosity)	B
	Lubrication system	Incorrect oil pressure	B
Defective rocker cover gasket		C	
Cooling system	Over-heating	C	
Other	Evaporative emission control system malfunction	A	
	Stuck or damaged throttle valve	B	

# Engine Trouble in General

MECHANICAL

Symptom	Problem parts, etc.	Possible cause	RANK
3. Low output, hesitation and poor acceleration	Engine control system <Ref. to EN(H4SO)(diag)-2, Basic Diagnostic Procedure.>		A
	Intake system	Loosened or cracked intake duct	A
		Loosened or cracked PCV hose	A
		Loosened or cracked vacuum hose	B
		Defective intake manifold gasket	B
		Defective throttle body gasket	B
		Defective PCV valve	B
		Loosened oil filler cap	B
		Dirty air cleaner element	A
	Fuel line	Defective fuel pump and relay	B
		Clogged fuel line	B
		Lack of or insufficient fuel	C
	Belt	Defective timing	B
	Compression	Incorrect valve clearance	B
		Loosened spark plug or defective gasket	B
		Loosened cylinder head bolt or defective gasket	B
		Improper valve sealing	B
		Defective valve stem	C
		Worn or broken valve spring	B
		Worn or stuck piston rings, cylinder and piston	C
		Incorrect valve timing	A
	Improper engine oil (low viscosity)	B	
	Lubrication system	Incorrect oil pressure	B
Cooling system	Over-heating	C	
	Over-cooling	C	
Other	Evaporative emission control system malfunction	A	
4. Surging	Engine control system <Ref. to EN(H4SO)(diag)-2, Basic Diagnostic Procedure.>		A
	Intake system	Loosened or cracked intake duct	A
		Loosened or cracked PCV hose	A
		Loosened or cracked vacuum hose	A
		Defective intake manifold gasket	B
		Defective throttle body gasket	B
		Defective PCV valve	B
		Loosened oil filler cap	B
		Dirty air cleaner element	B
	Fuel line	Defective fuel pump and relay	B
		Clogged fuel line	B
		Lack of or insufficient fuel	C
	Belt	Defective timing	B
	Compression	Incorrect valve clearance	B
		Loosened spark plug or defective gasket	C
		Loosened cylinder head bolt or defective gasket	C
		Improper valve sealing	C
		Defective valve stem	C
		Worn or broken valve spring	C
		Worn or stuck piston rings, cylinder and piston	C
		Incorrect valve timing	A
	Improper engine oil (low viscosity)	B	
	Cooling system	Over-heating	B
Other	Evaporative emission control system malfunction	C	

# Engine Trouble in General

MECHANICAL

Symptom	Problem parts, etc.	Possible cause	RANK
5. Engine does not return to idle.	Engine control system <Ref. to EN(H4SO)(diag)-2, Basic Diagnostic Procedure.>		A
	Intake system	Loosened or cracked vacuum hose	A
	Other	Stuck or damaged throttle valve	A
6. Dieseling (Run-on)	Engine control system <Ref. to EN(H4SO)(diag)-2, Basic Diagnostic Procedure.>		A
	Cooling system	Over-heating	B
	Other	Evaporative emission control system malfunction	B
7. After burning in exhaust system	Engine control system <Ref. to EN(H4SO)(diag)-2, Basic Diagnostic Procedure.>		A
	Intake system	Loosened or cracked intake duct	C
		Loosened or cracked PCV hose	C
		Loosened or cracked vacuum hose	B
		Defective PCV valve	B
		Loosened oil filler cap	C
	Belt	Defective timing	B
	Compression	Incorrect valve clearance	B
		Loosened spark plug or defective gasket	C
		Loosened cylinder head bolt or defective gasket	C
		Improper valve sealing	B
		Defective valve stem	C
		Worn or broken valve spring	C
		Worn or stuck piston rings, cylinder and piston	C
		Incorrect valve timing	A
	Lubrication system	Incorrect oil pressure	C
Cooling system	Over-cooling	C	
Other	Evaporative emission control system malfunction	C	
8. Knocking	Engine control system <Ref. to EN(H4SO)(diag)-2, Basic Diagnostic Procedure.>		A
	Intake system	Loosened oil filler cap	B
	Belt	Defective timing	B
	Compression	Incorrect valve clearance	C
		Incorrect valve timing	B
	Cooling system	Over-heating	A
9. Excessive engine oil consumption	Intake system	Loosened or cracked PCV hose	A
		Defective PCV valve	B
		Loosened oil filler cap	C
	Compression	Defective valve stem	A
		Worn or stuck piston rings, cylinder and piston	A
	Lubrication system	Loosened oil pump attaching bolts and defective gasket	B
		Defective oil filter seal	B
		Defective crankshaft oil seal	B
		Defective rocker cover gasket	B
		Loosened oil drain plug or defective gasket	B
	Loosened oil pan fitting bolts or defective oil pan	B	

## Engine Trouble in General

MECHANICAL

Symptom	Problem parts, etc.	Possible cause	RANK	
10. Excessive fuel consumption	Engine control system <Ref. to EN(H4SO)(diag)-2, Basic Diagnostic Procedure.>		A	
	Intake system	Dirty air cleaner element	A	
	Belt	Defective timing	B	
	Compression	Incorrect valve clearance		B
		Loosened spark plug or defective gasket		C
		Loosened cylinder head bolt or defective gasket		C
		Improper valve sealing		B
		Defective valve stem		C
		Worn or broken valve spring		C
		Worn or stuck piston rings, cylinder and piston		B
		Incorrect valve timing		B
	Lubrication system	Incorrect oil pressure	C	
	Cooling system	Over-cooling	C	



## 28.Engine Noise

### A: INSPECTION

Type of sound	Condition	Possible cause
Regular clicking sound	Sound increases as engine speed increases.	<ul style="list-style-type: none"> <li>• Valve mechanism is defective.</li> <li>• Incorrect valve clearance</li> <li>• Worn valve rocker</li> <li>• Worn camshaft</li> <li>• Broken valve spring</li> </ul>
Heavy and dull clank	Oil pressure is low.	<ul style="list-style-type: none"> <li>• Worn crankshaft main bearing</li> <li>• Worn connecting rod bearing (big end)</li> </ul>
	Oil pressure is normal.	Damaged engine mounting
High-pitched clank (Spark knock)	Sound is noticeable when accelerating with an overload.	<ul style="list-style-type: none"> <li>• Ignition timing advanced</li> <li>• Accumulation of carbon inside combustion chamber</li> <li>• Wrong spark plug</li> <li>• Improper gasoline</li> </ul>
Clank when engine speed is 1,000 to 2,000 rpm	Sound is reduced when fuel injector connector of noisy cylinder is disconnected. (NOTE*)	<ul style="list-style-type: none"> <li>• Worn crankshaft main bearing</li> <li>• Worn bearing at crankshaft end of connecting rod</li> </ul>
Knocking sound when engine is operating under idling speed and engine is warm	Sound is reduced when fuel injector connector of noisy cylinder is disconnected. (NOTE*)	<ul style="list-style-type: none"> <li>• Worn cylinder liner and piston ring</li> <li>• Broken or stuck piston ring</li> <li>• Worn piston pin and hole at piston end of connecting rod</li> </ul>
	Sound is not reduced if each fuel injector connector is disconnected in turn. (NOTE*)	<ul style="list-style-type: none"> <li>• Worn cam sprocket</li> <li>• Worn camshaft journal bore in cylinder head assembly</li> </ul>
Squeaky sound	—	Insufficient generator lubrication
Rubbing sound	—	Defective generator brush and rotor contact
Gear scream when starting engine	—	<ul style="list-style-type: none"> <li>• Defective ignition starter switch</li> <li>• Worn gear and starter pinion</li> </ul>
Sound like polishing glass with a dry cloth	—	<ul style="list-style-type: none"> <li>• Loose drive belt</li> <li>• Defective water pump shaft</li> </ul>
Hissing sound	—	<ul style="list-style-type: none"> <li>• Loss of compression</li> <li>• Air leakage in air intake system, hoses, connections or manifolds</li> </ul>
Timing belt noise	—	<ul style="list-style-type: none"> <li>• Loose timing belt</li> <li>• Belt contacting with case/adjacent part</li> </ul>
Valve noise	—	Incorrect valve clearance

**NOTE\*)**

When disconnecting the fuel injector connector, the malfunction indicator light illuminates and DTC is stored in ECM memory. Therefore, carry out the clear memory mode <Ref. to EN(H4SO)(diag)-46, OPERATION, Clear Memory Mode.> and inspection mode <Ref. to EN(H4SO)(diag)-36, PROCEDURE, Inspection Mode.> after connecting the fuel injector connector.

# Engine Noise

MECHANICAL

---