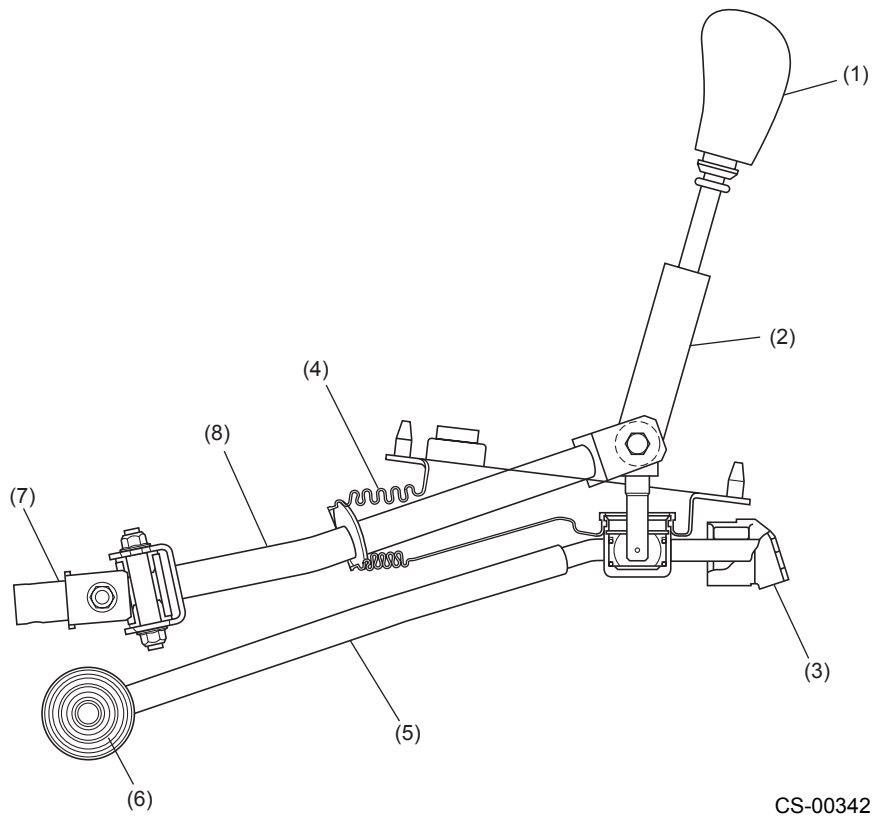


CONTROL SYSTEM (MANUAL)



CS-00342

- (1) Knob
- (2) Lever
- (3) Cushion rubber
- (4) Boot

- (5) Stay
- (6) Bushing B
- (7) Joint
- (8) Rod

CS-2