

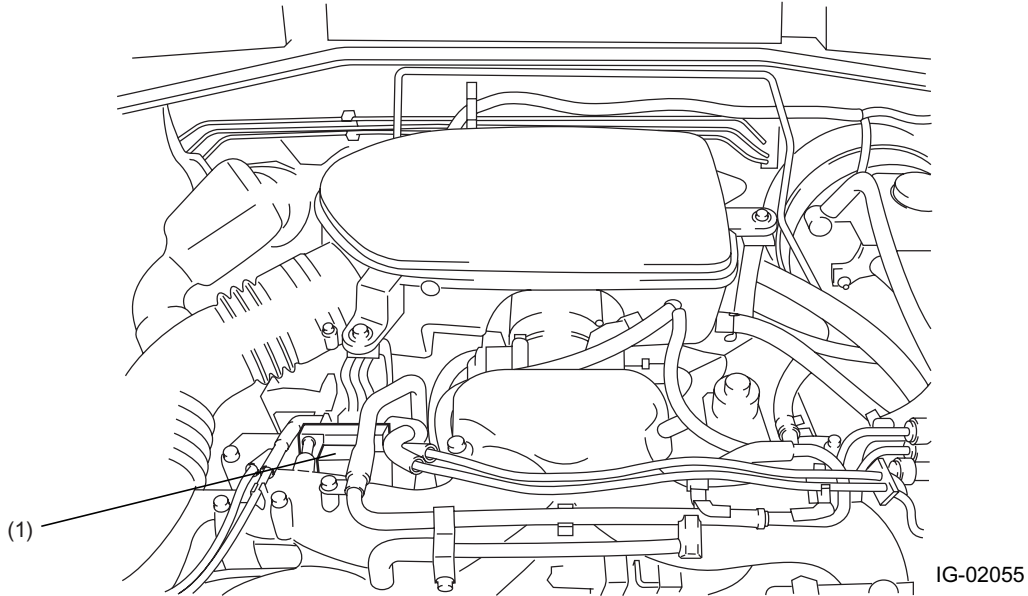
IGNITION (H4SO)

IGNITION COIL

IGNITION

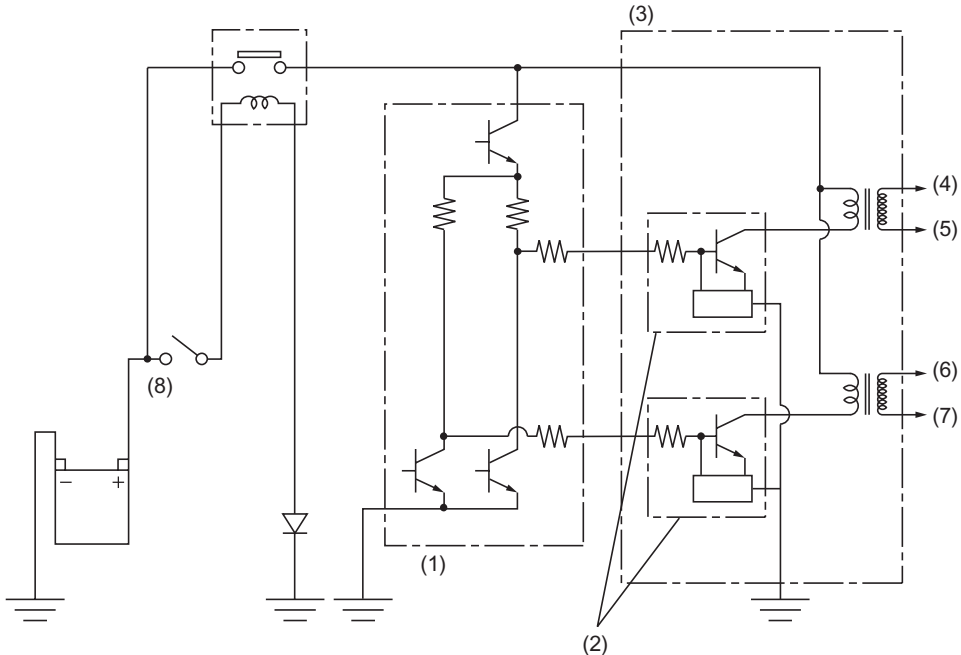
1. Ignition Coil

Ignition coils are made integral with an igniter. The ignition system is of a dual-ignition-coil design, each coil causing two plugs to generate sparks simultaneously. In response to the signal from the ECM, the igniter supplies current to an ignition coil and the ignition coil supplies high-voltage current to a pair of spark plugs (#1 and #2 or #3 and #4) simultaneously.



(1) Ignition coil and igniter assembly

IGNITION COIL



IG-00103

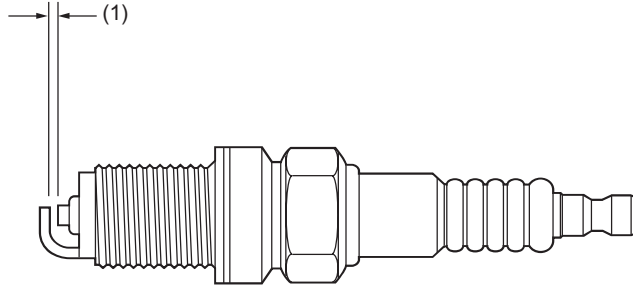
- (1) ECM
- (2) Igniter
- (3) Ignition coil
- (4) Spark plug #1
- (5) Spark plug #2
- (6) Spark plug #3
- (7) Spark plug #4
- (8) Ignition switch

SPARK PLUG

IGNITION

2. Spark Plug

The spark plug's thread diameter is 14 mm (0.551 in) and the gap is controlled to a value between 1.0 and 1.1 mm (0.039 and 0.043 in).



IG-00035

(1) Gap: 1.0 — 1.1 mm (0.039 — 0.043 in)

IG(H4SO)-4