

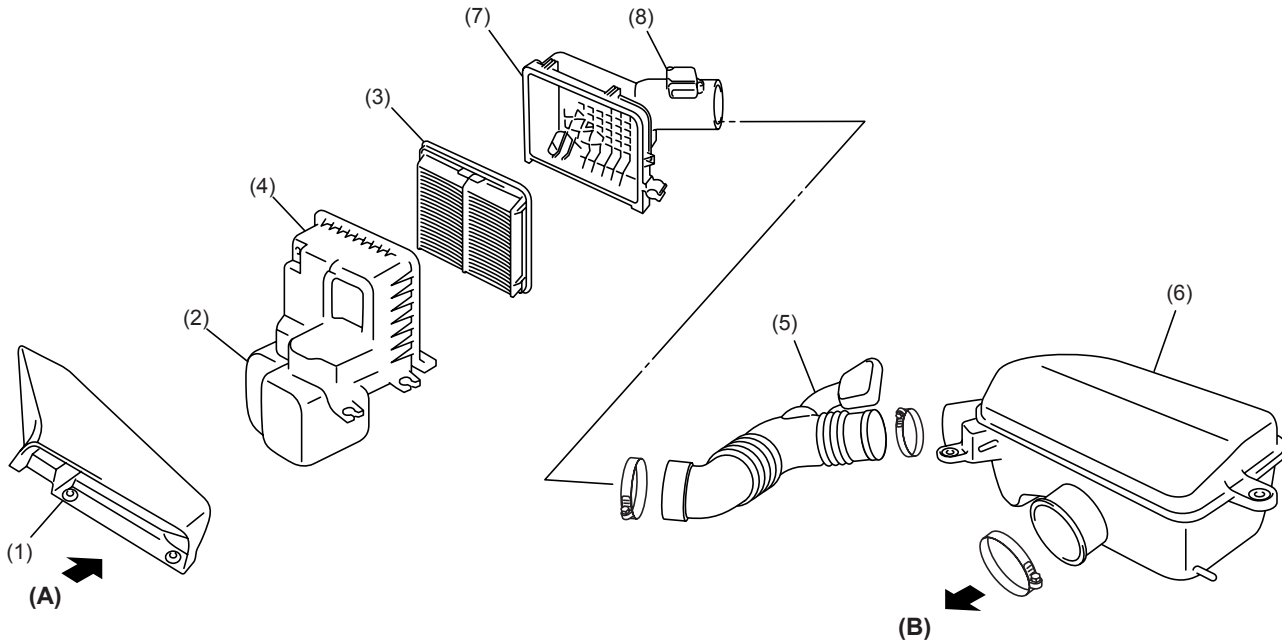
# **INTAKE (INDUCTION) (H4SO)**

# GENERAL

## INTAKE (INDUCTION)

### 1. General

The intake system consists of an intake duct, a resonator chamber, and an air cleaner element housed in its case. The resonator chamber effectively reduces the intake noise level.



IN-02086

- (1) Air intake duct
  - (2) Resonator
  - (3) Air cleaner element
  - (4) Air cleaner case (front)
  - (5) Intake duct
  - (6) Air intake chamber
  - (7) Air cleaner case (rear)
  - (8) Mass air flow and intake air temperature sensor
- (A) Outside air
  - (B) To throttle body