

Brought to you by Eris Studios
NOT FOR RESALE

BODY STRUCTURE

1. General Description

A: PREPARATION TOOL

TOOL NAME	REMARKS
Tram tracking gauge	Used for measuring dimension.
Tape measure	Used for measuring dimension.

Brought to you by Eris Studios
NOT FOR RESALE

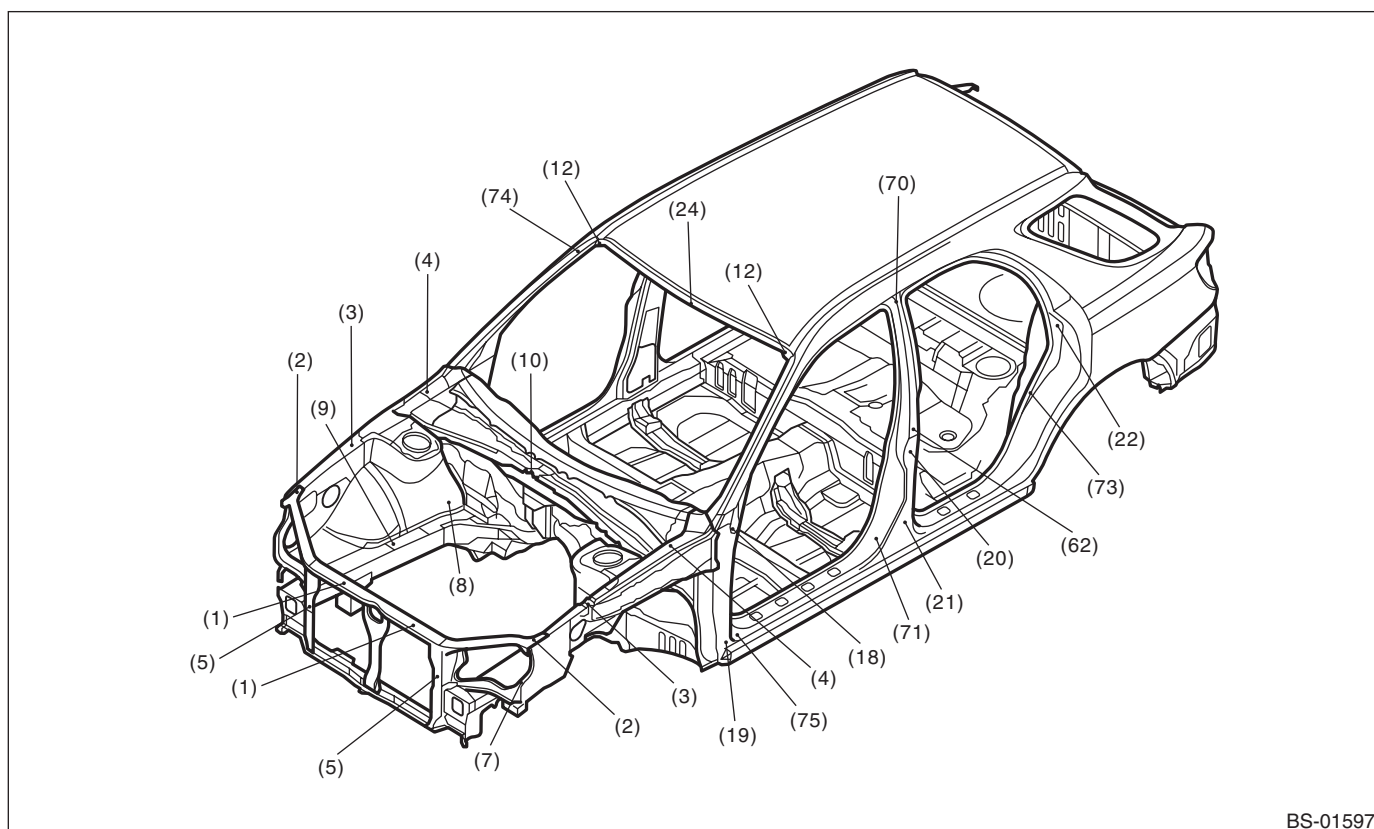
2. Datum Points

A: LOCATION

NOTE:

- Datum points are specified for body repair.
- Guide holes, locators, and indents are provided to facilitate panel replacement and to increase alignment accuracy.
- Both right and left reference points are symmetrical.

1. WAGON MODEL/SEDAN MODEL

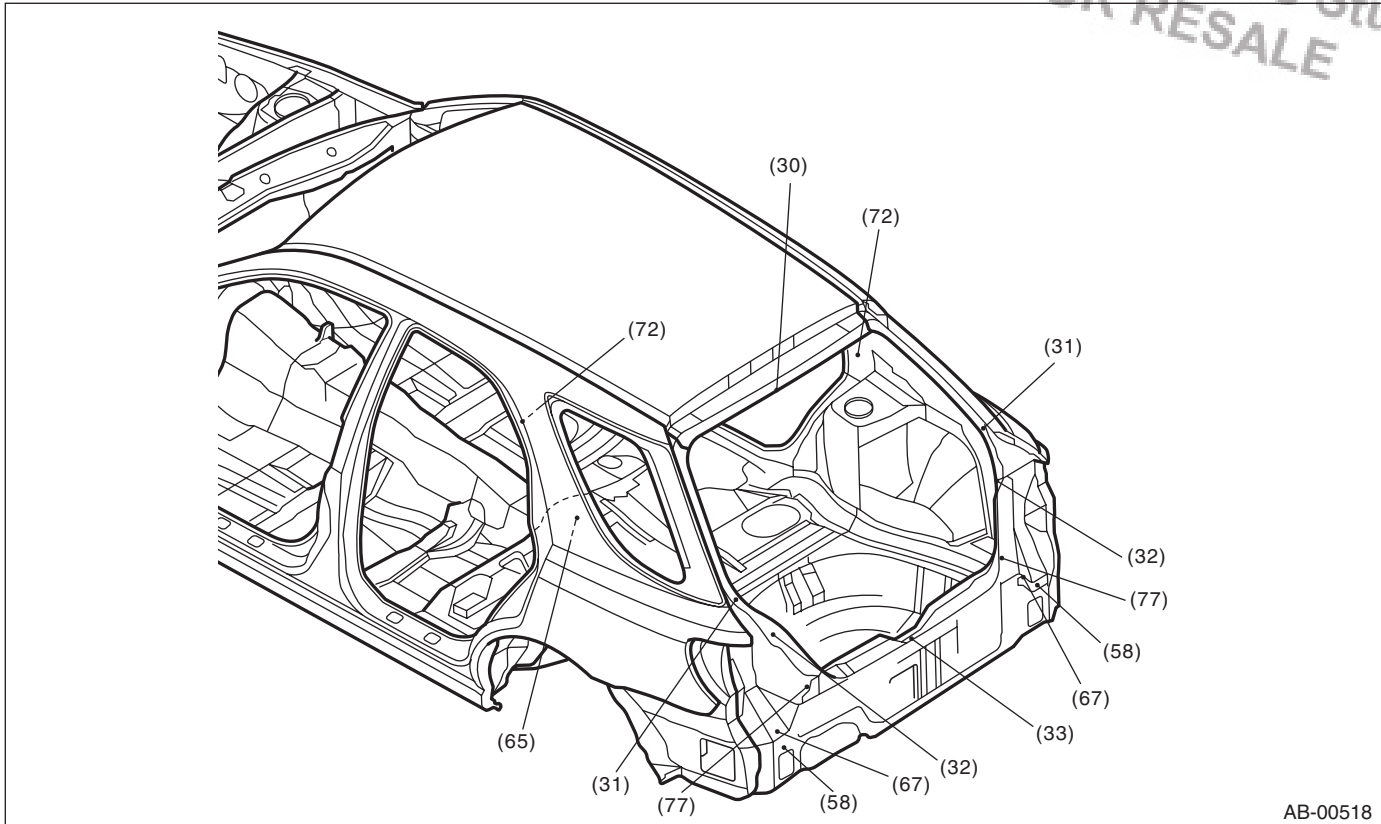


BS-01597

- | | | |
|---|---|--|
| (1) Radiator attaching hole 12 mm (0.47 in) dia. (symmetrical) | (10) Bracket module center gauge hole 6 mm (0.24 in) dia. (vehicle center) | (22) Weather strip patch attaching hole 5.2 mm (0.205 in) dia. (symmetrical) |
| (2) Fender attaching hole 7 mm (0.28 in) dia. (symmetrical) | (12) Front glass attaching hole RH 6.5 mm (0.256 in) dia. LH 6.5 × 10 mm (0.256 × 0.39 in) dia. | (24) Roof panel repair locator hollow |
| (3) Fender attaching hole 10 mm (0.39 in) dia. (symmetrical) | (18) Fender attaching hole 12 mm (0.47 in) dia. (symmetrical) | (62) Belt anchor attaching hole 11 mm (0.43 in) dia. (symmetrical) |
| (4) Front hood hinge attaching hole 12 mm (0.47 in) dia. (symmetrical) | (19) Fender attaching hole 12 mm (0.47 in) dia. (symmetrical) | (70) Trim clip attaching hole 8.5 mm (0.335 in) dia. (Symmetrical) |
| (5) Radiator panel side gauge hole 20 mm (0.79 in) dia. (symmetrical) | (20) Outer panel center pillar gauge hole 12 mm (0.47 in) dia. (symmetrical) | (71) Harness clip attaching hole 7 mm (0.28 in) dia. (symmetrical) |
| (7) Fender attaching hole 9.5 mm (0.37 in) dia. (symmetrical) | (21) Outer panel center pillar gauge hole 12 mm (0.47 in) dia. (symmetrical) | (73) Harness clip attaching hole 7 mm (0.28 in) dia. (symmetrical) |
| (8) Gauge hole 12 mm (0.47 in) dia. (symmetrical) | | (74) Trim clip attaching hole 10 mm (0.39 in) dia. (symmetrical) |
| (9) Front suspension crossmember attaching hole 12.4 mm (0.488 in) dia. (symmetrical) | | (75) Insulator attaching hole 8 mm (0.31 in) dia. (symmetrical) |

2. WAGON MODEL (REAR)

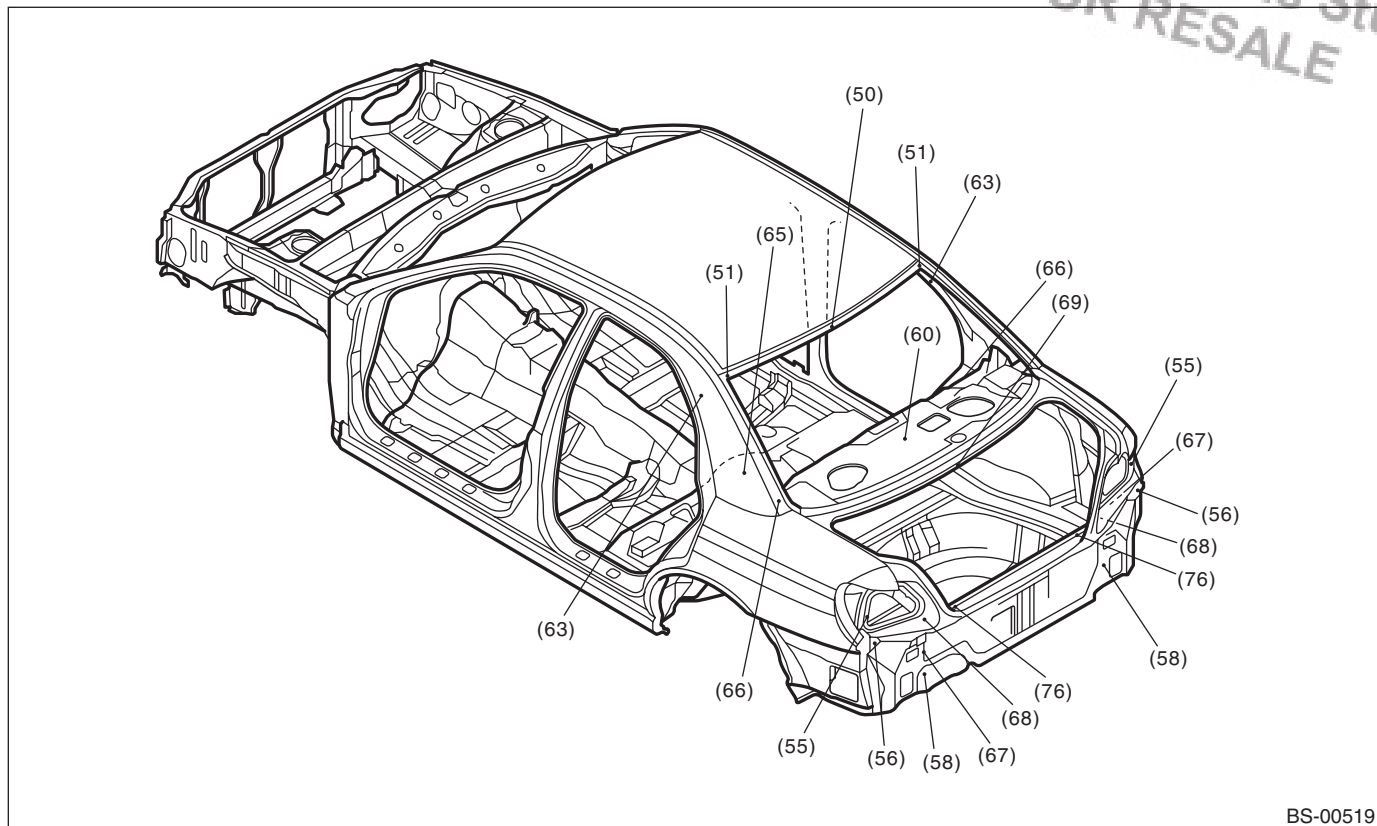
Brought to you by Eris Studios
NOT FOR RESALE



AB-00518

- | | | |
|---|---|--|
| (30) Child anchor attaching hole
11 mm (0.43 in) dia. | (33) Two striker attaching hole 15 mm
(0.59 in) dia. | (67) Rear side gusset floor gauge hole
11.5 mm (0.453 in) dia.
(symmetrical) |
| (31) Washer hose attaching hole LH
7 mm (0.28 in) dia. | (58) Rear bumper beam plate nut
attaching hole 13 mm (0.51 in)
dia. (symmetrical) | (72) Trim upper clip attaching hole
8.5 mm (0.335 in) dia. (symmetrical) |
| (32) Rear combination light mounting
hole 7 mm (0.28 in) dia.
(symmetrical) | (65) Floor mat clip attaching hole 8 mm
(0.31 in) dia. | (77) Harness clip attaching hole 7 mm
(0.28 in) dia. (symmetrical) |

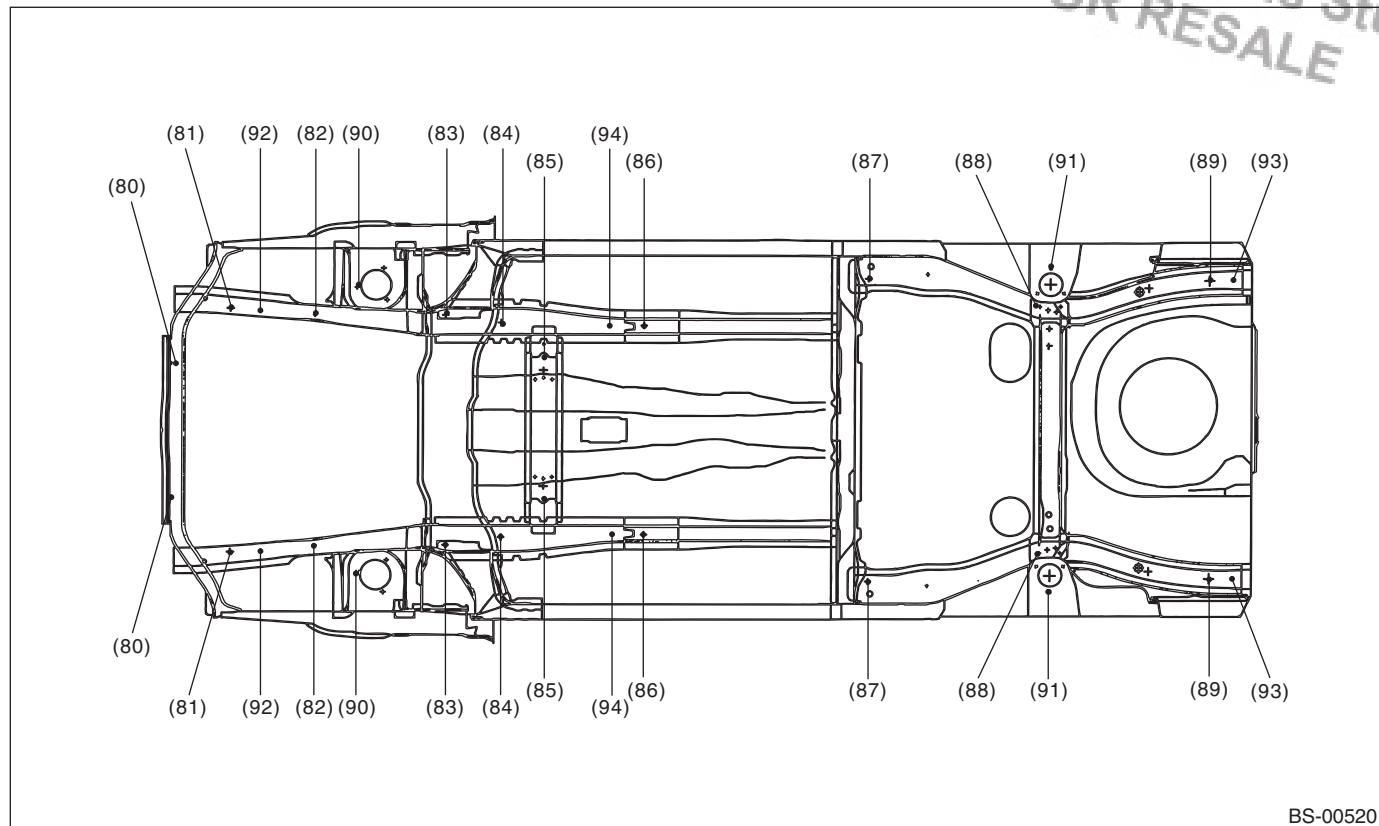
3. SEDAN MODEL (REAR)



BS-00519

- | | | |
|---|--|--|
| (50) Repair locator hollow (vehicle center) | (58) Rear bumper attaching hole 11 mm (0.43 in) dia. (symmetrical) | (67) Rear side gusset floor gauge hole 11.5 mm (0.453 in) dia. (symmetrical) |
| (51) Glass attaching hole RH 6.5 mm (0.256 in) dia. LH 6.5 x 10 mm (0.256 x 0.39 in) dia. | (60) Choke coil harness attaching hole 5.4 mm (0.213 in) dia. | (68) Rear skirt inner side gauge hole 10 mm (0.39 in) dia. (symmetrical) |
| (55) Rear combination light mounting hole 8 mm (0.31 in) dia. (symmetrical) | (63) Feeder line fixing hole 7 mm (0.28 in) dia. (symmetrical) | (69) Rear panel (reinforcement) repair locator hollow (vehicle center) |
| (56) Bumper attaching hole 7 mm (0.28 in) dia. (symmetrical) | (65) Floor mat clip attaching hole 8 mm (0.31 in) dia. | (76) Press location hole 15 mm (0.59 in) dia. (symmetrical) |
| | (66) Bulkhead rear gauge hole 10 mm (0.39 in) dia. (symmetrical) | |

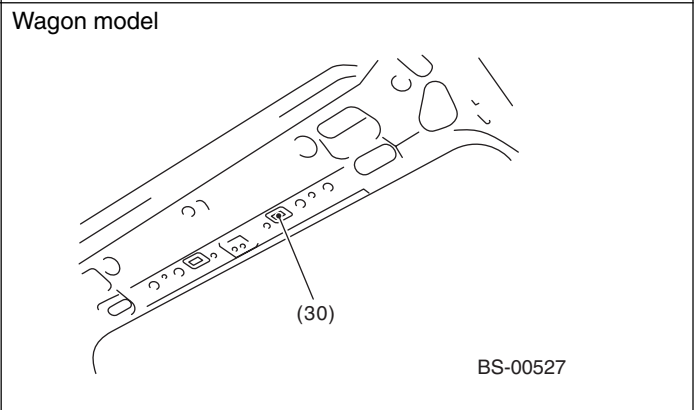
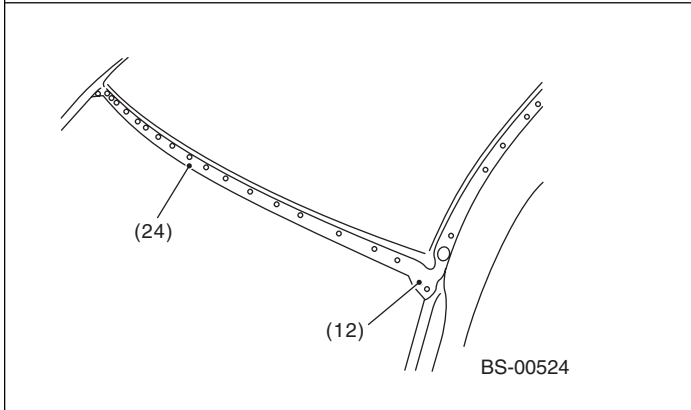
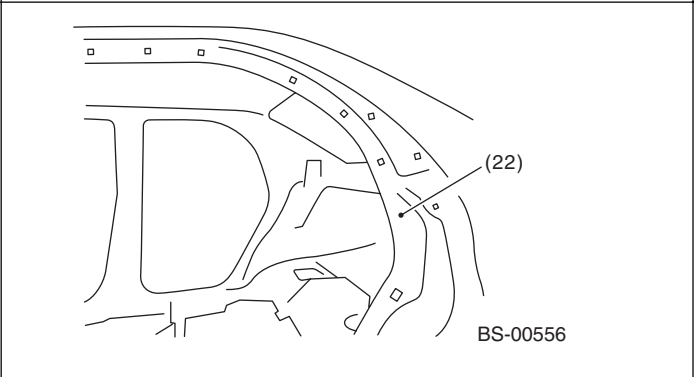
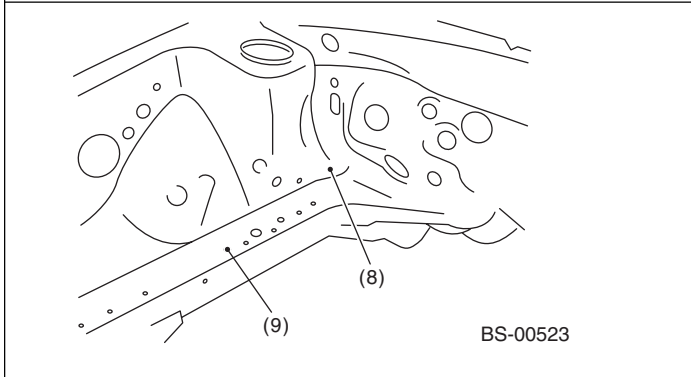
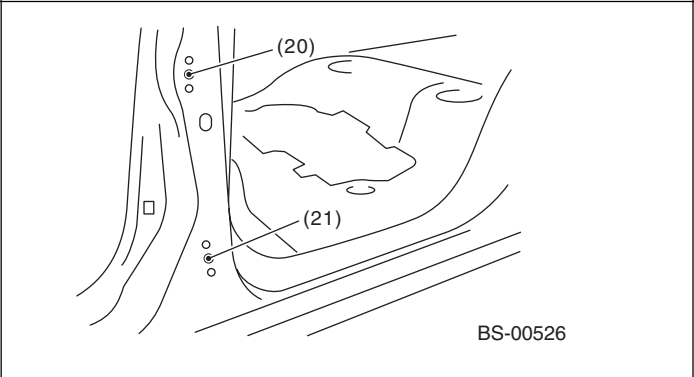
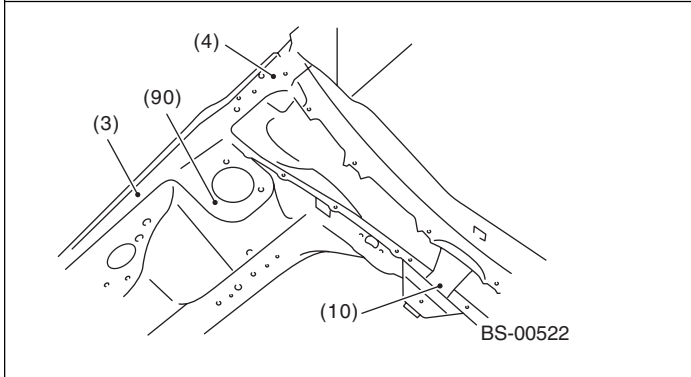
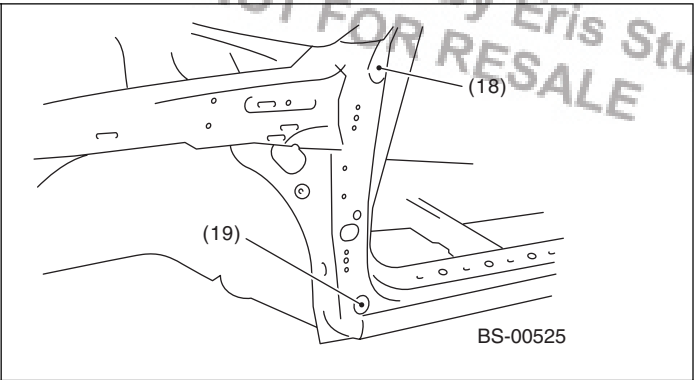
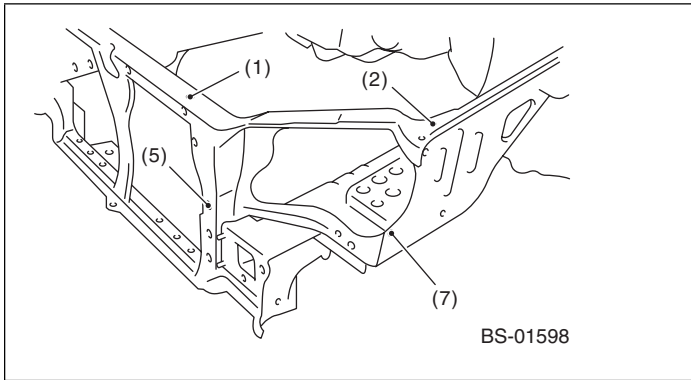
4. UNDERBODY



BS-00520

- | | | |
|---|--|---|
| (80) Radiator lower frame gauge hole 12 mm (0.47 in) dia. (symmetrical) | (86) Side frame gauge hole 18 mm (0.71 in) dia. (symmetrical) | (92) Sub frame attaching hole 16 mm (0.63 in) dia. (symmetrical) |
| (81) Side frame gauge hole 20 mm (0.79 in) dia. (symmetrical) | (87) Rear differential attaching hole 16 mm (0.63 in) dia. (symmetrical) | (93) Bumper beam attaching hole RH 15 mm (0.59 in) dia. LH 19 x 15 mm (0.75 x 0.59 in) dia. |
| (82) Front crossmember attaching hole 12.4 mm (0.488 in) dia. (symmetrical) | (88) Rear suspension attaching hole 16 mm (0.63 in) dia. (symmetrical) | (94) Side frame gauge hole 15 mm (0.59 in) dia. (symmetrical) |
| (83) Suspension attaching hole 17 mm (0.67 in) dia. (symmetrical) | (89) Rear side frame gauge hole 15 mm (0.59 in) dia. (symmetrical) | |
| (84) Side frame gauge hole 20 mm (0.79 in) dia. (symmetrical) | (90) Strut mount attaching hole 9.5 mm (0.374 in) dia. (symmetrical) | |
| (85) Transmission mount attaching hole 14 mm (0.55 in) dia. | (91) Strut mount attaching hole 10 mm (0.39 in) dia. (symmetrical) | |

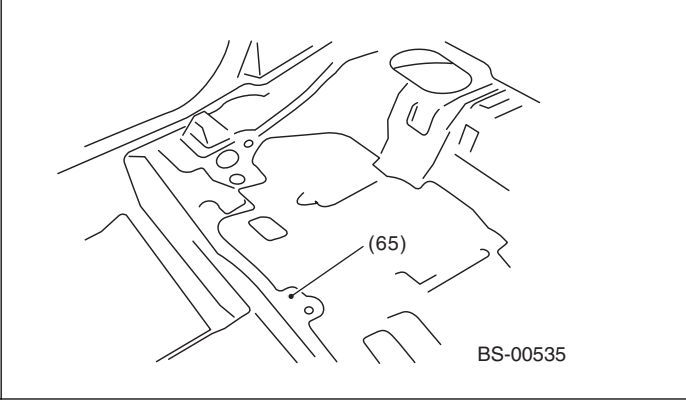
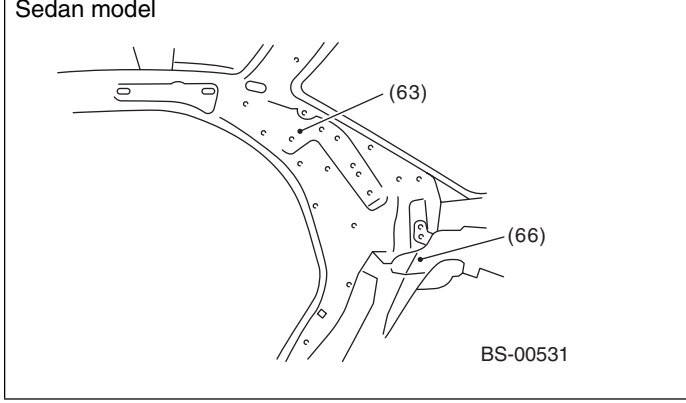
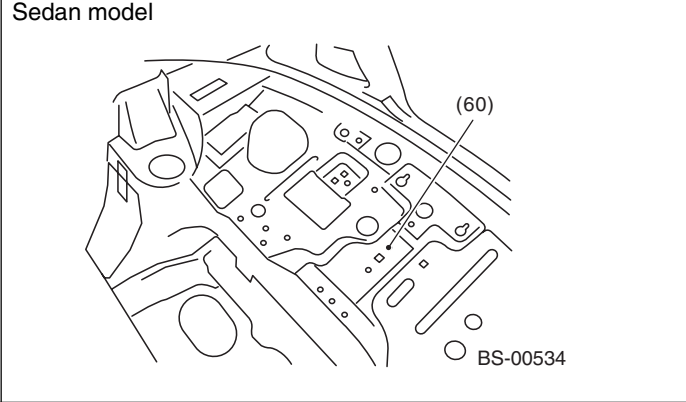
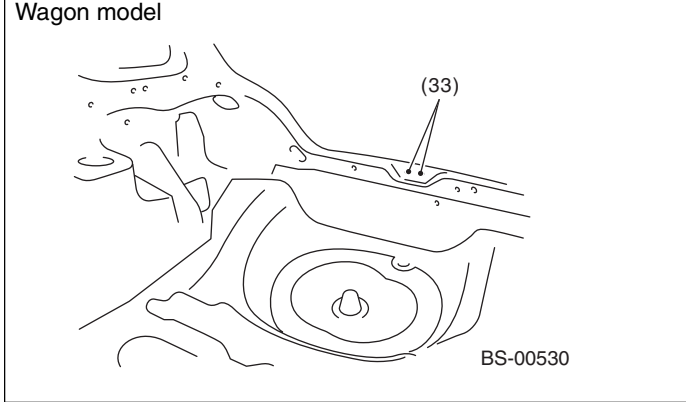
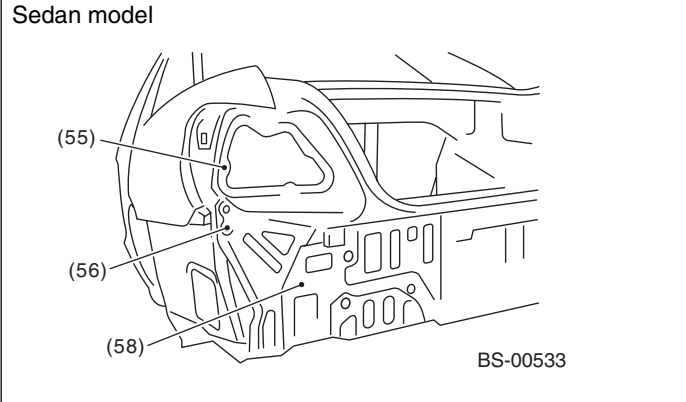
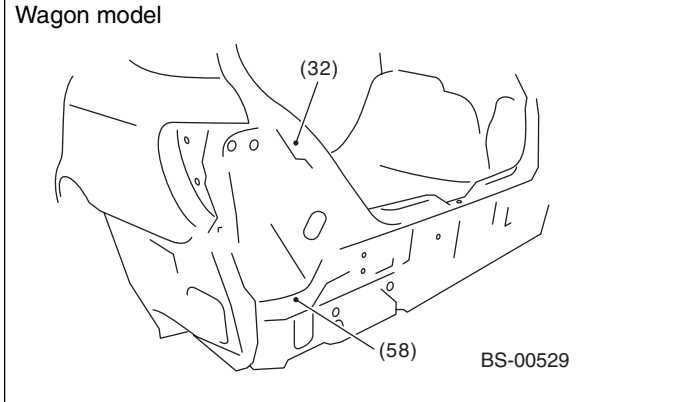
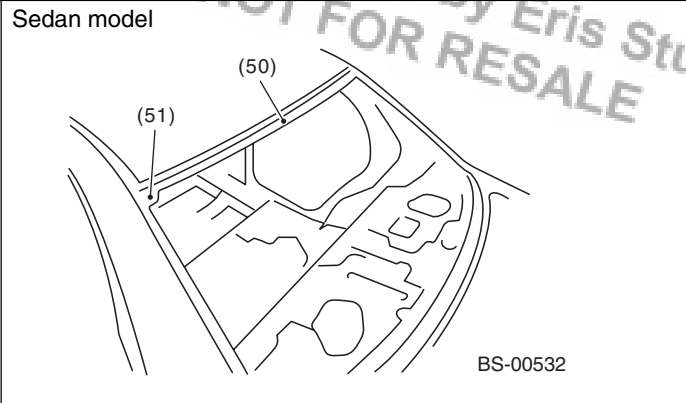
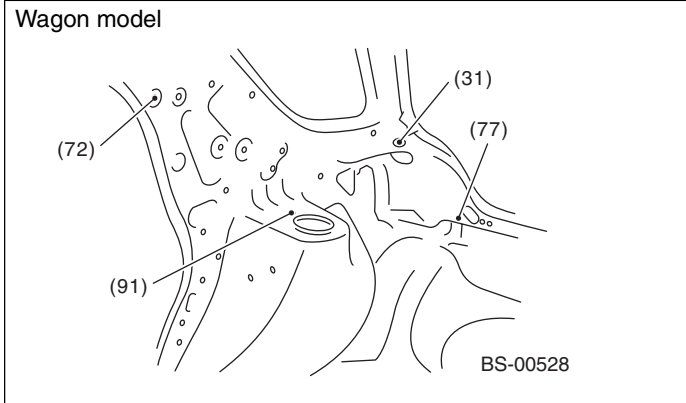
Brought to you by Eris Studios
NOT FOR RESALE



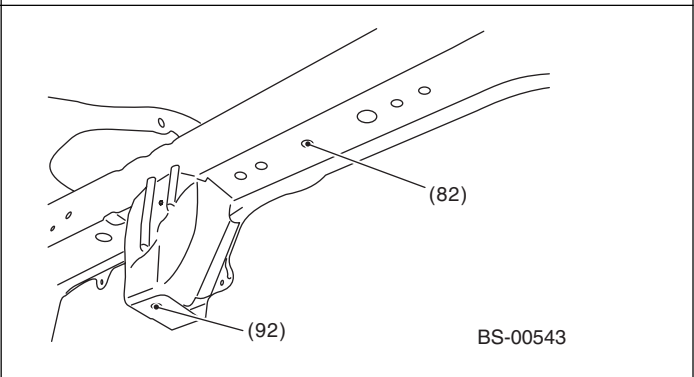
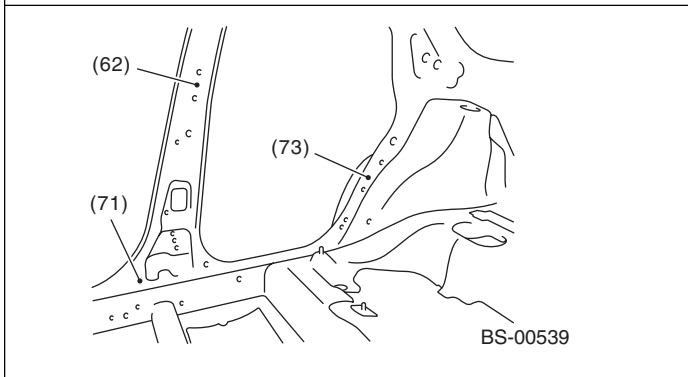
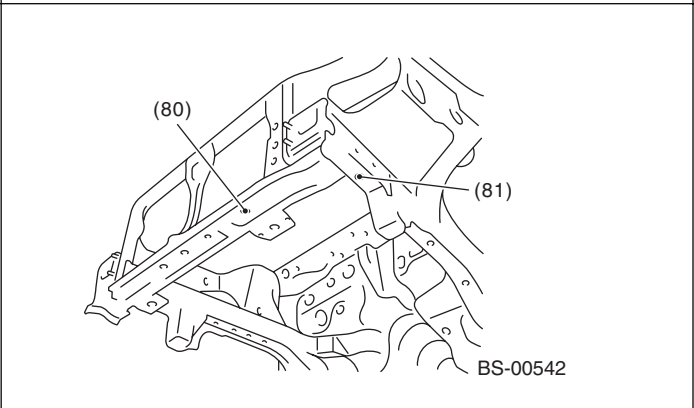
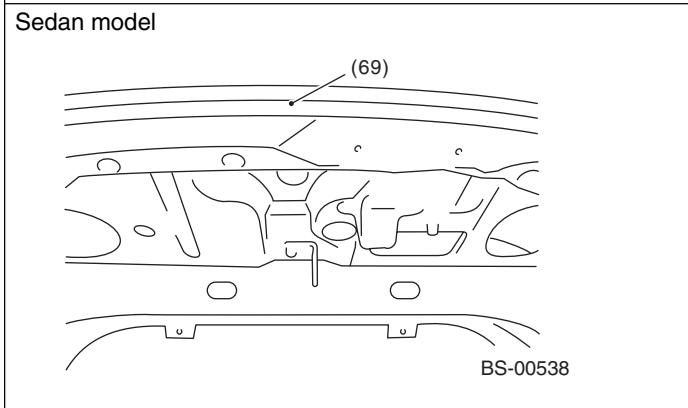
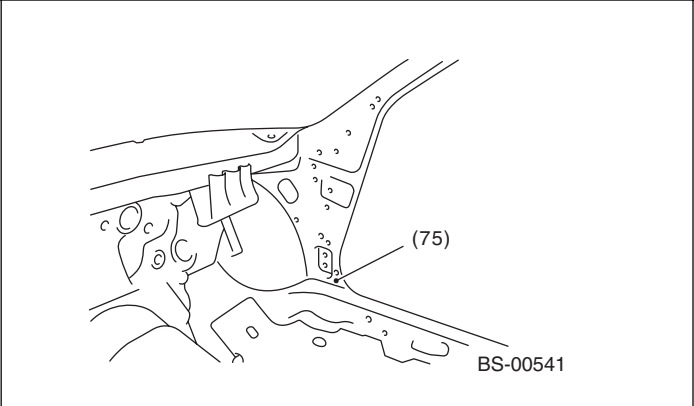
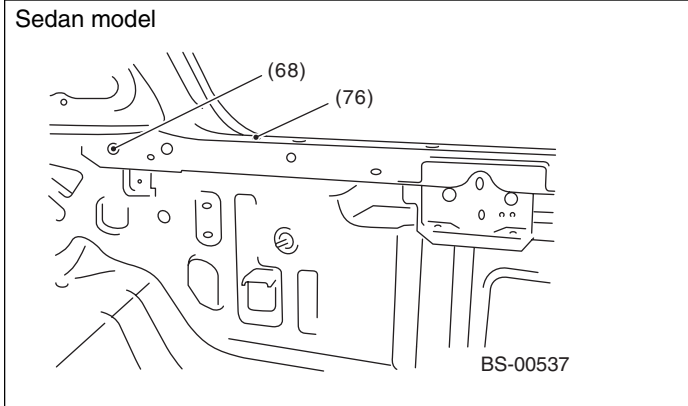
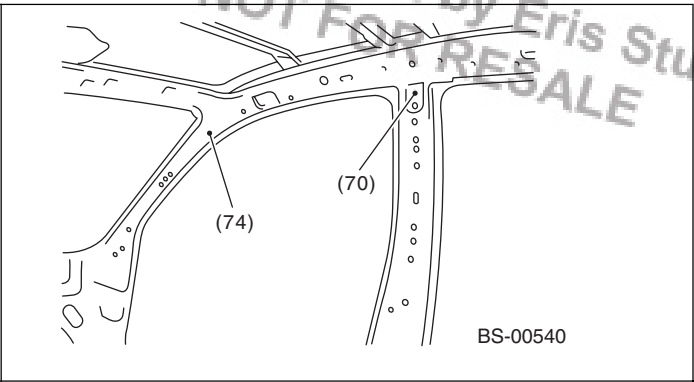
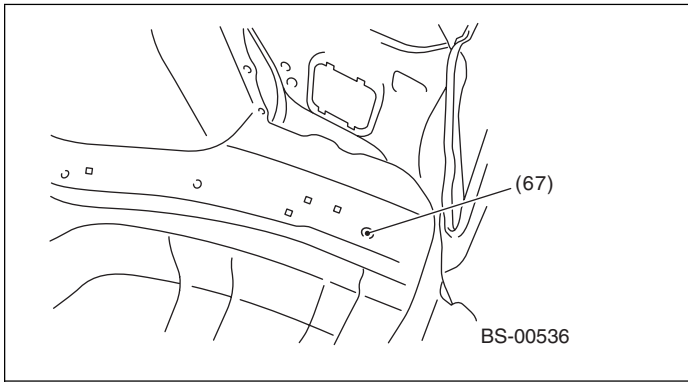
Datum Points

BODY STRUCTURE

Brought to you by Eris Studios
NOT FOR RESALE



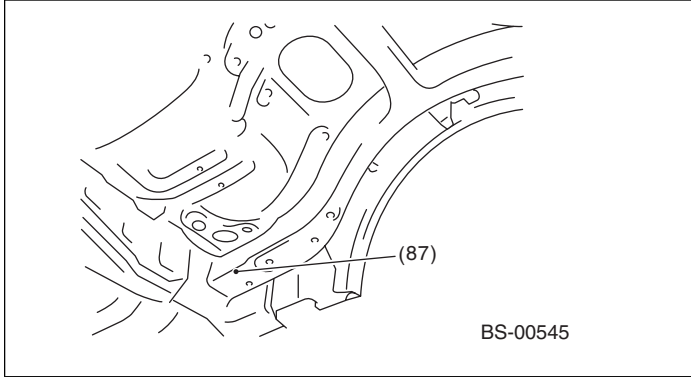
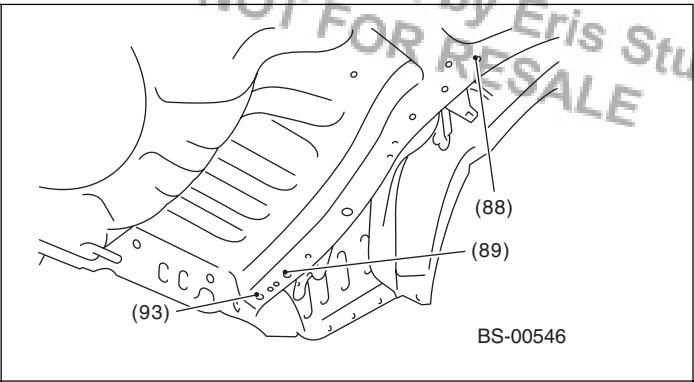
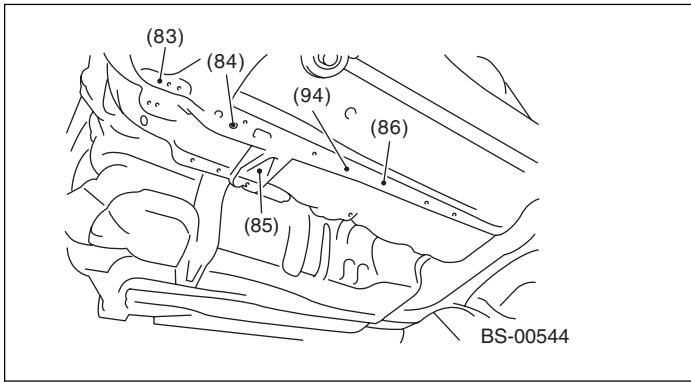
Brought to you by Eris Studios
NOT FOR RESALE



Datum Points

BODY STRUCTURE

Brought to you by Eris Studios
NOT FOR RESALE



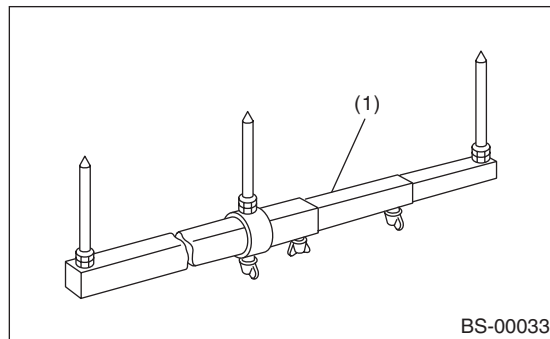
3. Datum Dimensions

A: MEASUREMENT

For details concerning points to measure, refer to "LOCATION". <Ref. to BS-3, LOCATION, Datum Points.>

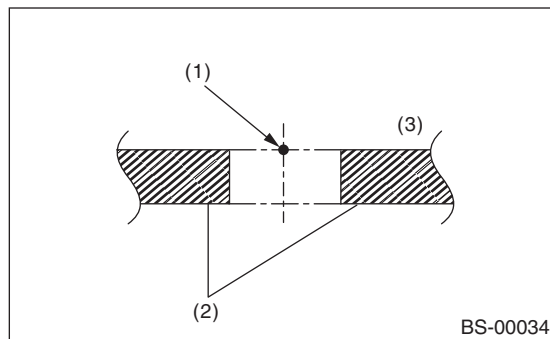
NOTE:

- Using a tram tracking gauge, measure all the dimensions.
- When using a tape measure, carefully measure dimensions without letting the tape measure sag or twist.
- Measure the linear dimensions between cores of holes.
- Suffixes "RH" and "LH" indicate right-hand and left-hand.



(1) Tram tracking gauge

- Measure at the center of the circle around the outside of the body panel.

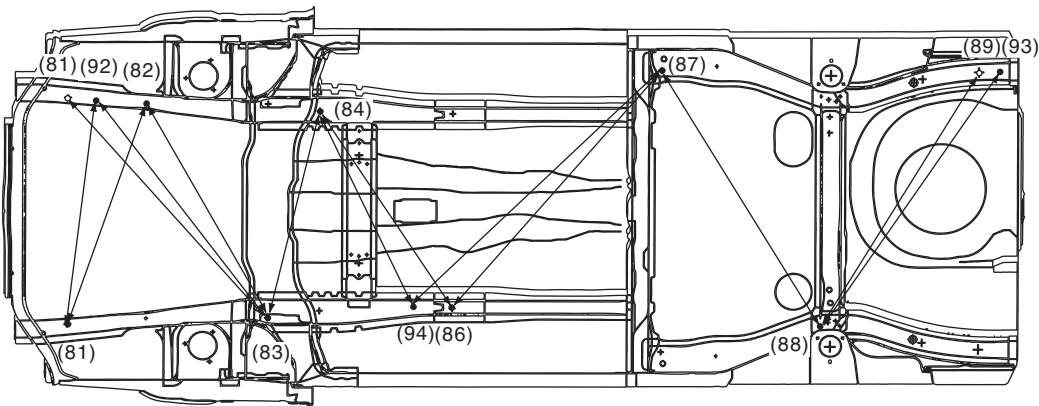
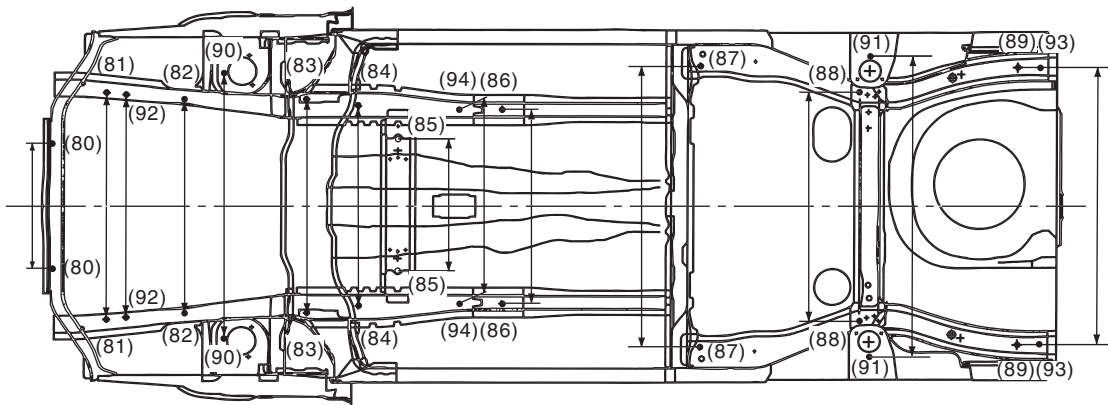
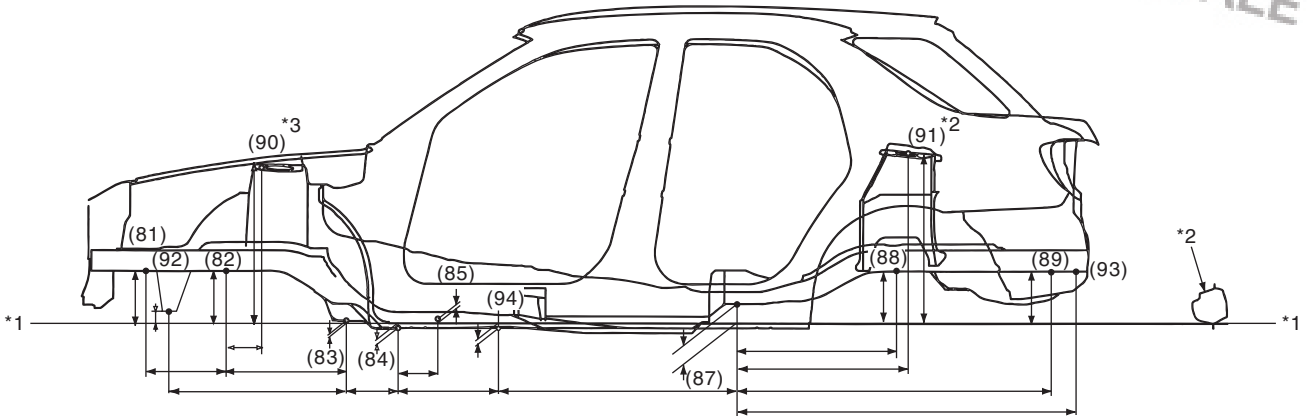


- (1) Datum points
- (2) Body panel
- (3) Outside

BODY STRUCTURE

1. CENTER STRUCTURE

Brought to you by Eris Studios
NOT FOR RESALE



BS-00633

*1: Standard line

*2: Side sill

*3: Upper face

Datum Dimensions

BODY STRUCTURE

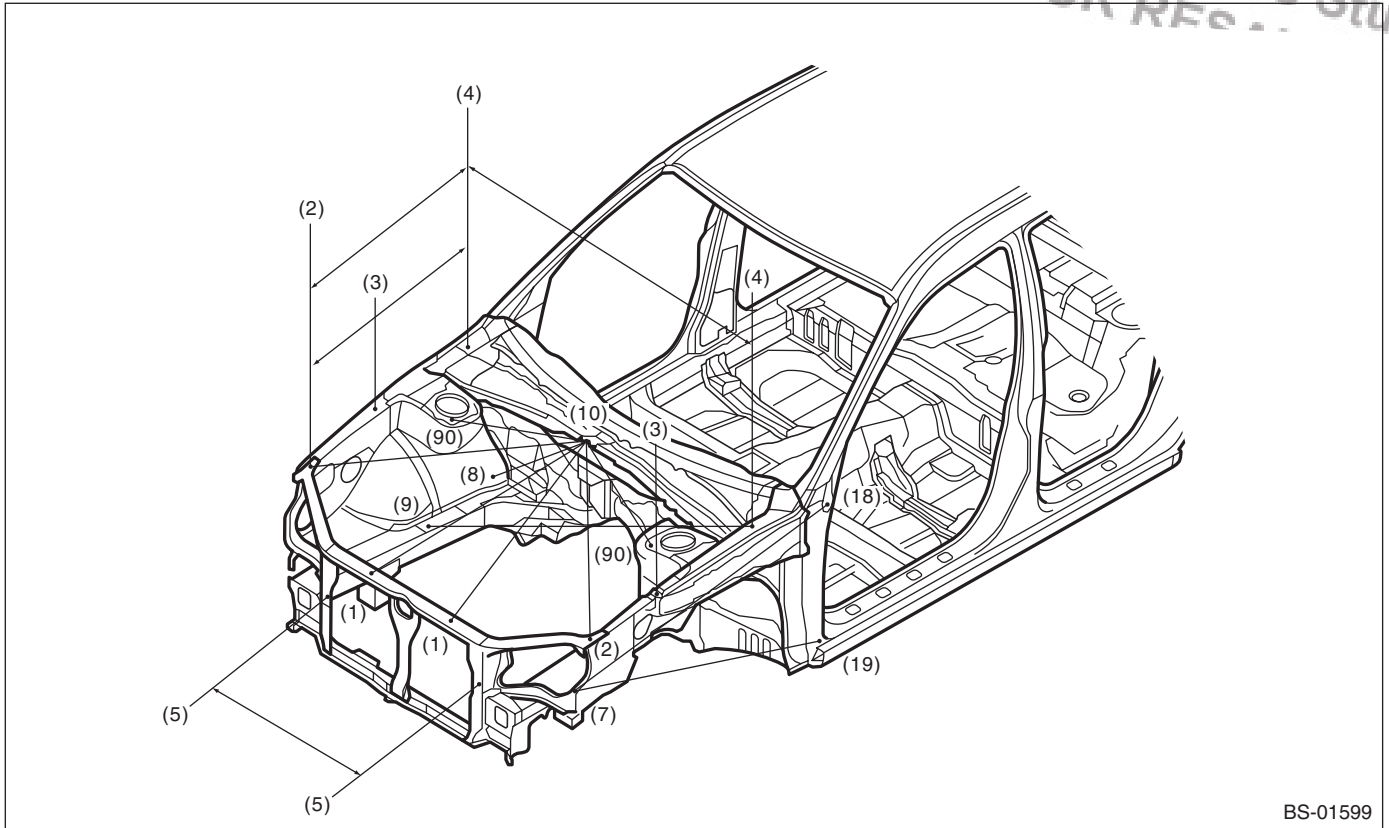
Point of measurement	Dimension mm (in)
Datum line to (81)	206 (8.11)
Datum line to (92)	77 (3.03)
Datum line to (82)	206 (8.11)
Datum line to (90)	620 (24.41)
Datum line to (83)	8 (0.31)
Datum line to (84)	20 (0.79)
Datum line to (85)	13 (0.51)
Datum line to (94)	12 (0.47)
Datum line to (87)	76 (2.99)
Datum line to (88)	206 (8.11)
Datum line to (91)	674 (26.54)
Datum line to (89)	205 (8.07)
(81) to (82)	317 (12.48)
(82) to (90)	157 (6.18)
(82) to (83)	485 (19.09)
(92) to (83)	694 (27.32)
(83) to (84)	206 (8.11)
(84) to (85)	159 (6.26)
(84) to (94)	380 (14.96)
(94) to (87)	982 (38.66)
(87) to (88)	633 (24.92)
(87) to (91)	673 (26.50)
(87) to (89)	1,258 (49.53)
(87) to (93)	1,358 (53.46)
(80) RH to (80) LH	500 (19.69)
(81) RH to (81) LH	910 (35.83)
(92) RH to (92) LH	906 (35.67)
(82) RH to (82) LH	860 (33.86)
(90) RH to (90) LH	1,065 (41.93)
(83) RH to (83) LH	856 (33.70)
(84) RH to (84) LH	800 (31.50)
(85) RH to (85) LH	529 (20.83)
(94) RH to (94) LH	776 (30.55)
(86) RH to (86) LH	780 (30.71)
(87) RH to (87) LH	1,128 (44.41)
(88) RH to (88) LH	920 (36.22)
(91) RH to (91) LH	1,205 (47.44)
(89) RH to (89) LH	1,110 (43.70)
(93) RH to (93) LH	1,110 (43.70)
(81) LH to (92) RH	924 (36.38)
(81) LH to (82) RH	940 (37.01)
(81) RH to (83) LH	1,209 (47.60)
(92) RH to (83) LH	1,124 (44.25)
(82) RH to (83) LH	1,005 (39.57)
(83) LH to (84) RH	854 (33.62)
(84) RH to (94) LH	875 (34.45)
(84) RH to (86) LH	951 (37.44)
(94) LH to (87) RH	1,371 (53.98)
(86) LH to (87) RH	1,269 (49.96)
(87) RH to (88) LH	1,211 (47.68)

Point of measurement	Dimension mm (in)
(88) LH to (89) RH	1,192 (46.93)
(88) LH to (93) RH	1,247 (49.09)

Datum Dimensions

BODY STRUCTURE

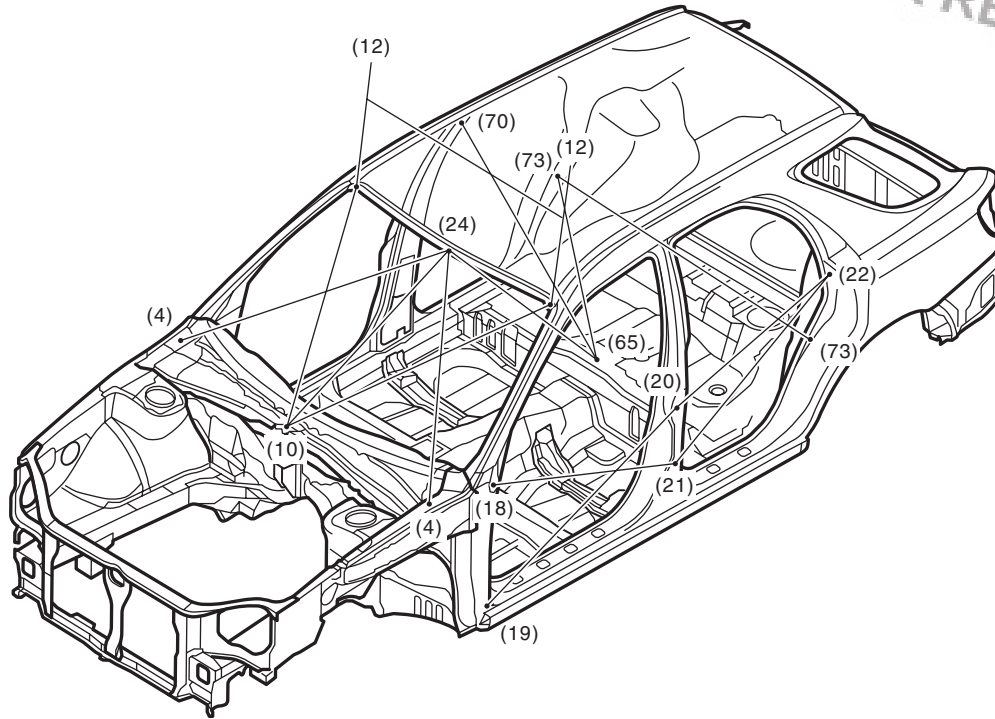
2. WAGON MODEL/SEDAN MODEL (FRONT STRUCTURE)



BS-01599

Point of measurement	Dimension mm (in)
(10) to (1) RH	912 (35.91)
(10) to (1) LH	912 (35.91)
(10) to (90) RH	566 (22.28)
(10) to (90) LH	566 (22.28)
(10) to (8) RH	581 (22.87)
(10) to (8) LH	581 (22.87)
(10) to (2) RH	944 (37.16)
(10) to (2) LH	944 (37.16)
(4) RH to (2) RH	774 (30.47)
(4) LH to (2) LH	774 (30.47)
(4) RH to (3) RH	430 (16.93)
(4) LH to (3) LH	430 (16.93)
(90) RH to (90) LH	1,065 (41.93)
(8) RH to (8) LH	894 (35.20)
(8) RH to (4) LH	1,210 (47.64)
(8) LH to (4) RH	1,210 (47.64)
(3) RH to (2) RH	346 (13.61)
(3) LH to (2) LH	346 (13.61)
(4) RH to (4) LH	1,417 (55.79)
(2) RH to (2) LH	1,340 (52.76)
(5) RH to (5) LH	720 (28.35)
(7) RH to (18) RH	1,059 (41.70)
(7) LH to (18) LH	1,059 (41.70)
(7) RH to (19) RH	1,053 (41.44)
(7) LH to (19) LH	1,053 (41.44)

Point of measurement	Dimension mm (in)
(4) RH to (2) LH	1,580 (62.22)
(4) LH to (2) RH	1,580 (62.22)
(3) RH to (3) LH	1,396 (54.96)
(3) RH to (4) LH	1,470 (57.87)
(3) LH to (4) RH	1,470 (57.87)
(2) RH to (3) LH	1,411 (55.54)
(2) LH to (3) RH	1,411 (55.54)
(9) RH to (9) LH	860 (33.86)
(9) RH to (8) LH	931 (36.65)
(9) LH to (8) RH	931 (36.65)
(9) RH to (4) LH	1,278 (50.31)
(9) LH to (4) RH	1,278 (50.31)



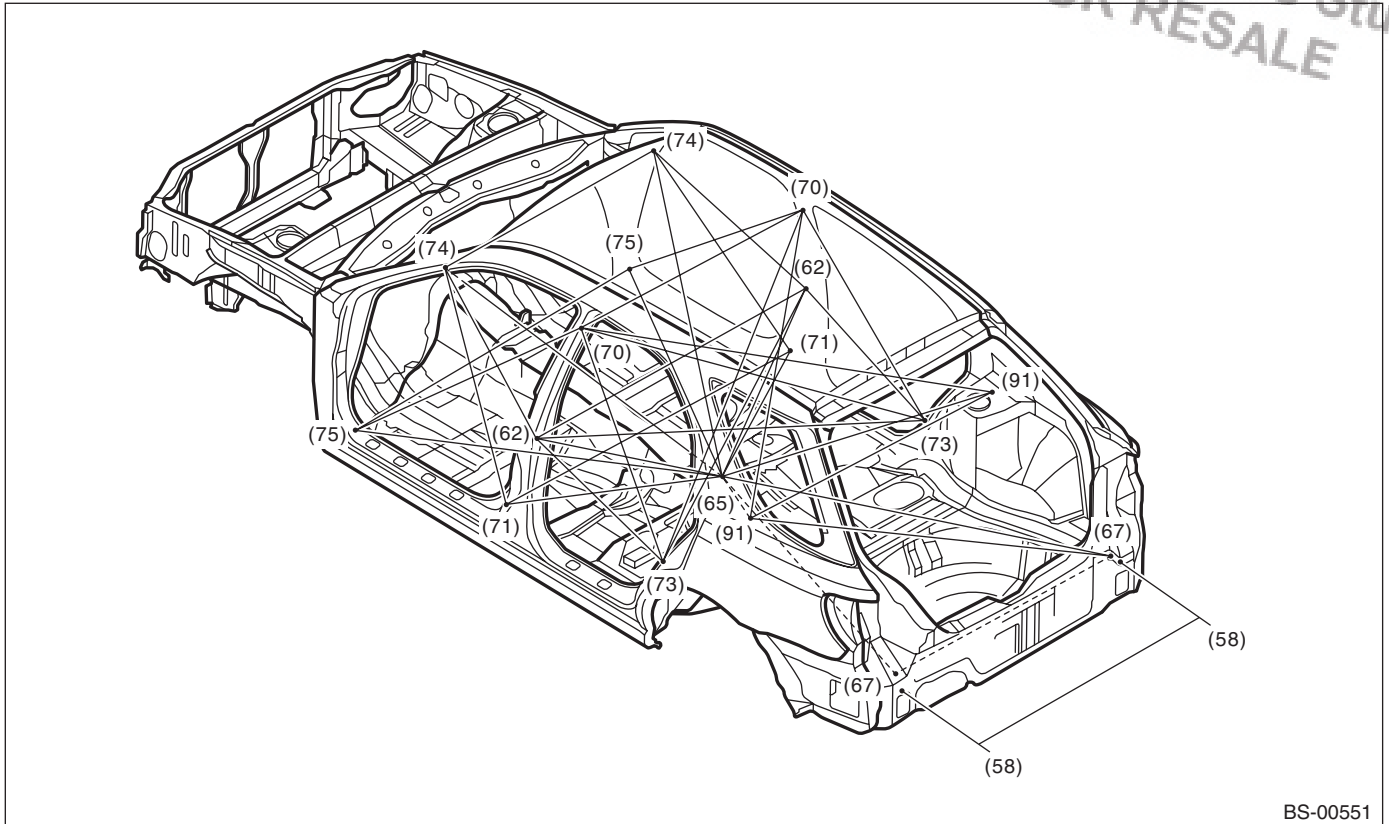
BS-00550

Point of measurement	Dimension mm (in)
(4) RH to (24)	1,127 (44.37) Wagon model
(4) LH to (24)	1,110 (43.70) Sedan model
(10) to (24)	958 (37.72) Wagon model
(10) to (24)	935 (36.81) Sedan model
(10) to (12) RH	1,122 (44.17) Wagon model
(10) to (12) RH	1,106 (43.54) Sedan model
(10) to (12) LH	1,122 (44.17) Wagon model
(10) to (12) LH	1,106 (43.17) Sedan model
(12) RH to (12) LH	1,029 (40.51) Wagon model
(12) RH to (12) LH	1,042 (41.02) Sedan model
(18) RH to (21) RH	1,049 (41.30)
(18) LH to (21) LH	1,049 (41.30)
(19) RH to (20) RH	1,089 (42.87)
(19) LH to (20) LH	1,089 (42.87)
(20) RH to (22) RH	869 (34.21)
(20) LH to (22) LH	869 (34.21)
(21) RH to (22) RH	985 (38.78)
(21) LH to (22) LH	985 (38.78)
(24) to (65)	1,232 (48.50) Wagon model
(24) to (65)	1,237 (48.70) Sedan model
(65) to (70) RH	1,067 (42.01)
(65) to (70) LH	1,067 (42.01)
(65) to (73) RH	830 (32.68)
(65) to (73) LH	830 (32.68)
(73) RH to (73) LH	1,394 (54.88)

Datum Dimensions

BODY STRUCTURE

3. WAGON MODEL/SEDAN MODEL (REAR STRUCTURE)

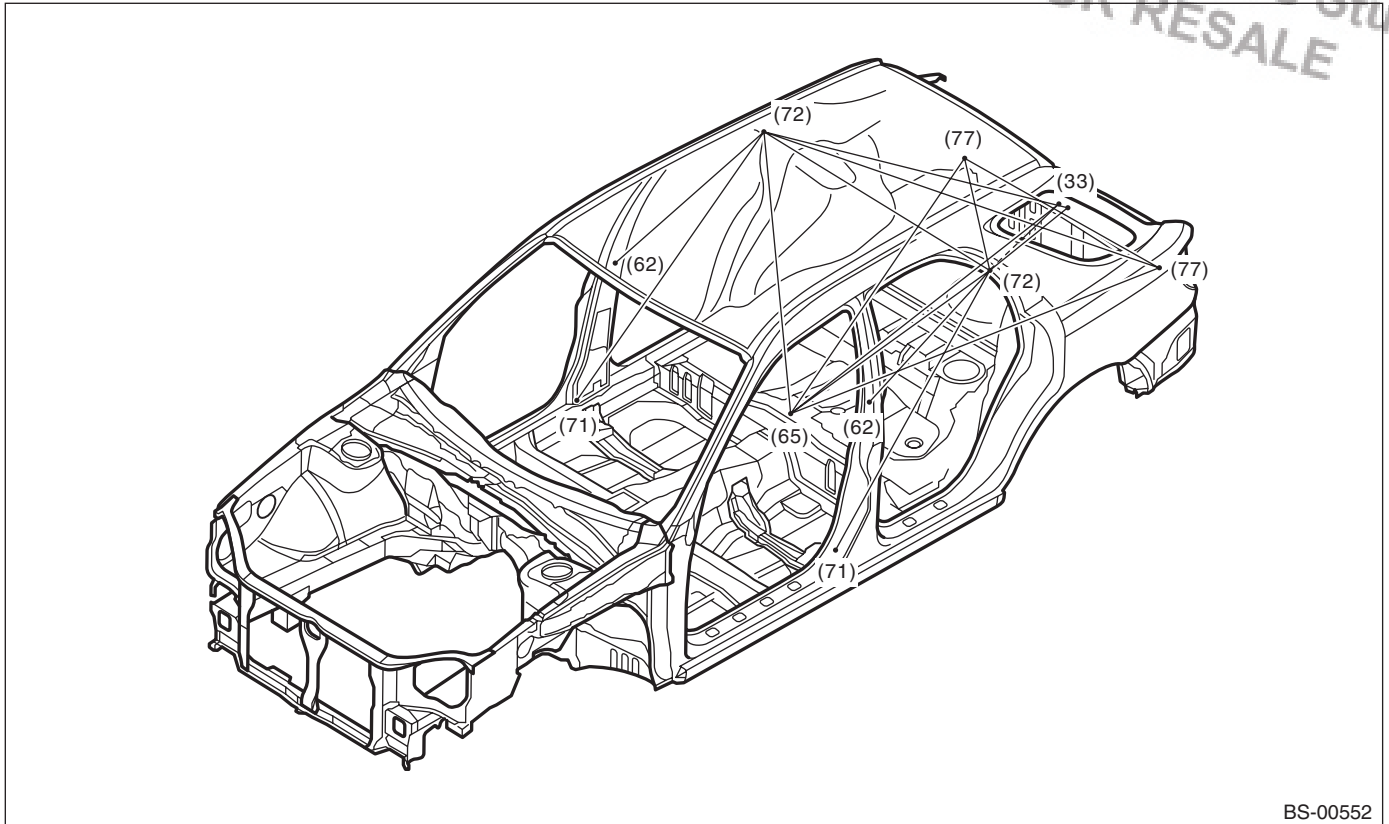


BS-00551

Point of measurement	Dimension mm (in)
(58) RH to (58) LH	1,128 (44.41)
(62) RH to (62) LH	1,332 (52.44)
(62) RH to (65)	915 (36.02)
(62) LH to (65)	915 (36.02)
(62) RH to (73) RH	762 (30.00)
(62) LH to (73) LH	762 (30.00)
(62) RH to (73) LH	1,561 (61.46)
(62) LH to (73) RH	1,561 (61.46)
(62) RH to (74) RH	592 (23.31) Wagon model
(62) LH to (74) LH	603 (23.74) Sedan model
(65) to (67) RH	1,501 (59.09)
(65) to (67) LH	1,501 (59.09)
(65) to (71) RH	823 (32.40)
(65) to (71) LH	823 (32.40)
(65) to (74) RH	1,275 (50.20) Wagon model
(65) to (74) LH	1,282 (50.47) Sedan model
(65) to (75) RH	1,450 (57.09)
(65) to (75) LH	1,450 (57.09)
(65) to (91) RH	1,064 (41.89)
(65) to (91) LH	1,064 (41.89)
(67) RH to (67) LH	1,110 (43.70)
(67) RH to (91) LH	1,381 (54.37)
(67) LH to (91) RH	1,381 (54.37)
(70) RH to (70) LH	1,060 (41.73)
(70) RH to (73) RH	948 (37.32)

Point of measurement	Dimension mm (in)
(70) LH to (73) LH	948 (37.32)
(70) RH to (73) LH	1,542 (60.71)
(70) LH to (73) RH	1,542 (60.71)
(70) RH to (75) RH	1,443 (56.81)
(70) LH to (75) LH	1,443 (56.81)
(70) RH to (91) LH	1,532 (60.32)
(70) LH to (91) RH	1,532 (60.32)
(71) RH to (71) LH	1,361 (53.58)
(71) RH to (74) RH	954 (37.56) Wagon model
(71) LH to (74) LH	949 (37.36) Sedan model
(74) RH to (74) LH	1,135 (44.69) Wagon model
(74) RH to (74) LH	1,147 (45.16) Sedan model
(75) RH to (75) LH	1,399 (55.08)
(91) RH to (91) LH	1,205 (47.44)

4. WAGON MODEL (FRONT STRUCTURE)

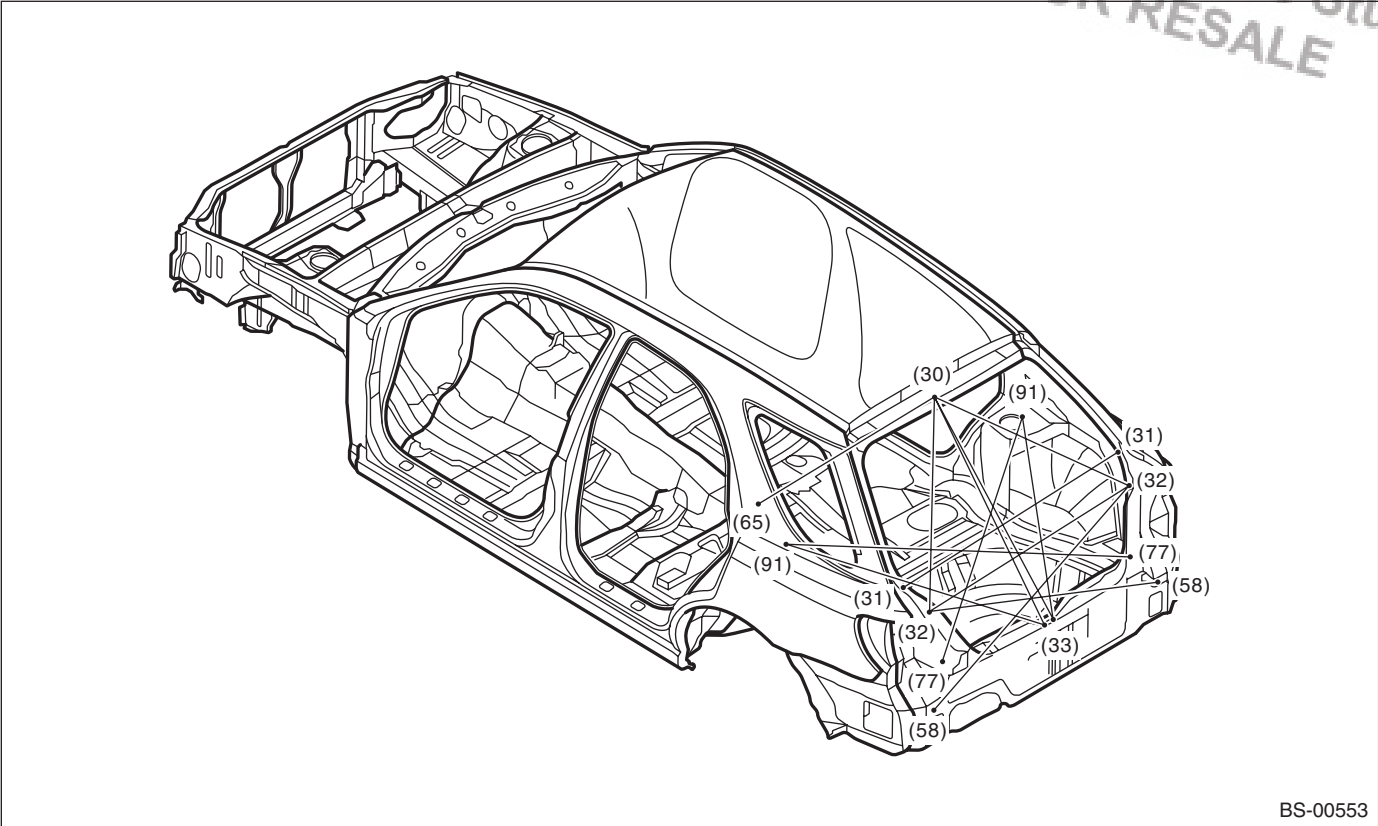


BS-00552

Point of measurement	Dimension mm (in)
(33) RH to (65)	1,534 (60.39)
(33) LH to (65)	1,534 (60.39)
(33) RH to (72) LH	1,334 (52.52)
(33) LH to (72) RH	1,334 (52.52)
(62) RH to (72) RH	732 (28.82)
(62) LH to (72) LH	732 (28.82)
(65) to (72) RH	1,076 (42.36)
(65) to (72) LH	1,076 (42.36)
(65) to (77) RH	1,538 (60.55)
(65) to (77) LH	1,538 (60.55)
(71) RH to (72) RH	1,223 (48.15)
(71) LH to (72) LH	1,223 (48.15)
(72) RH to (72) LH	1,226 (48.27)
(72) RH to (77) LH	1,544 (60.79)
(72) LH to (77) RH	1,544 (60.79)
(77) RH to (77) LH	898 (35.35)

5. WAGON MODEL (REAR STRUCTURE)

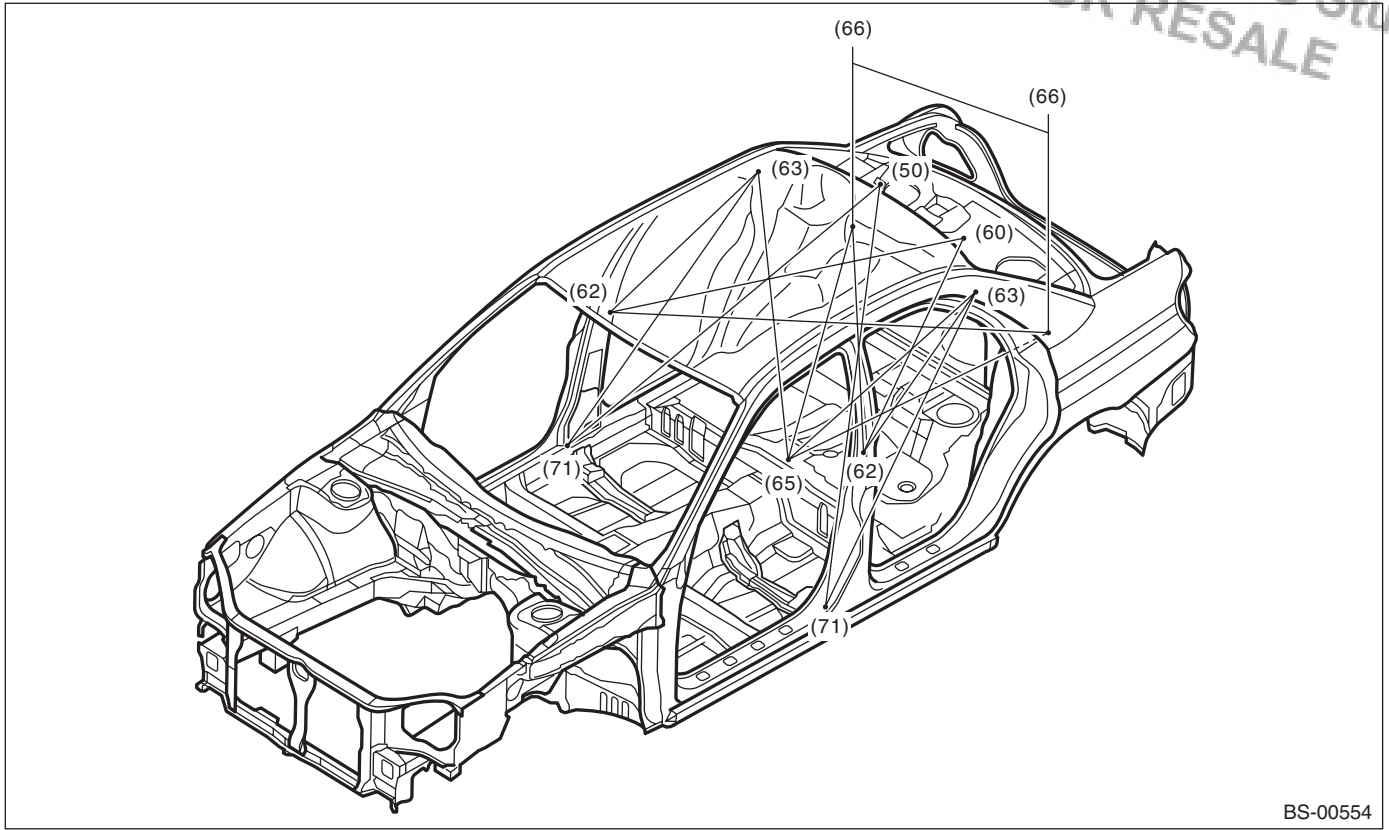
Brought to you by Eris Studios
NOT FOR RESALE



BS-00553

Point of measurement	Dimension mm (in)
(30) to (32) RH	850 (33.46)
(30) to (32) LH	850 (33.46)
(30) to (33) RH	904 (35.59)
(30) to (33) LH	904 (35.59)
(30) to (65)	1,293 (50.91)
(31) RH to (31) LH	1,212 (47.72)
(32) RH to (32) LH	1,038 (40.87)
(32) RH to (58) LH	1,139 (44.84)
(32) LH to (58) RH	1,139 (44.84)
(33) RH to (91) RH	993 (39.09)
(33) LH to (91) LH	993 (39.09)
(77) RH to (91) LH	1,289 (50.75)
(77) LH to (91) RH	1,289 (50.75)

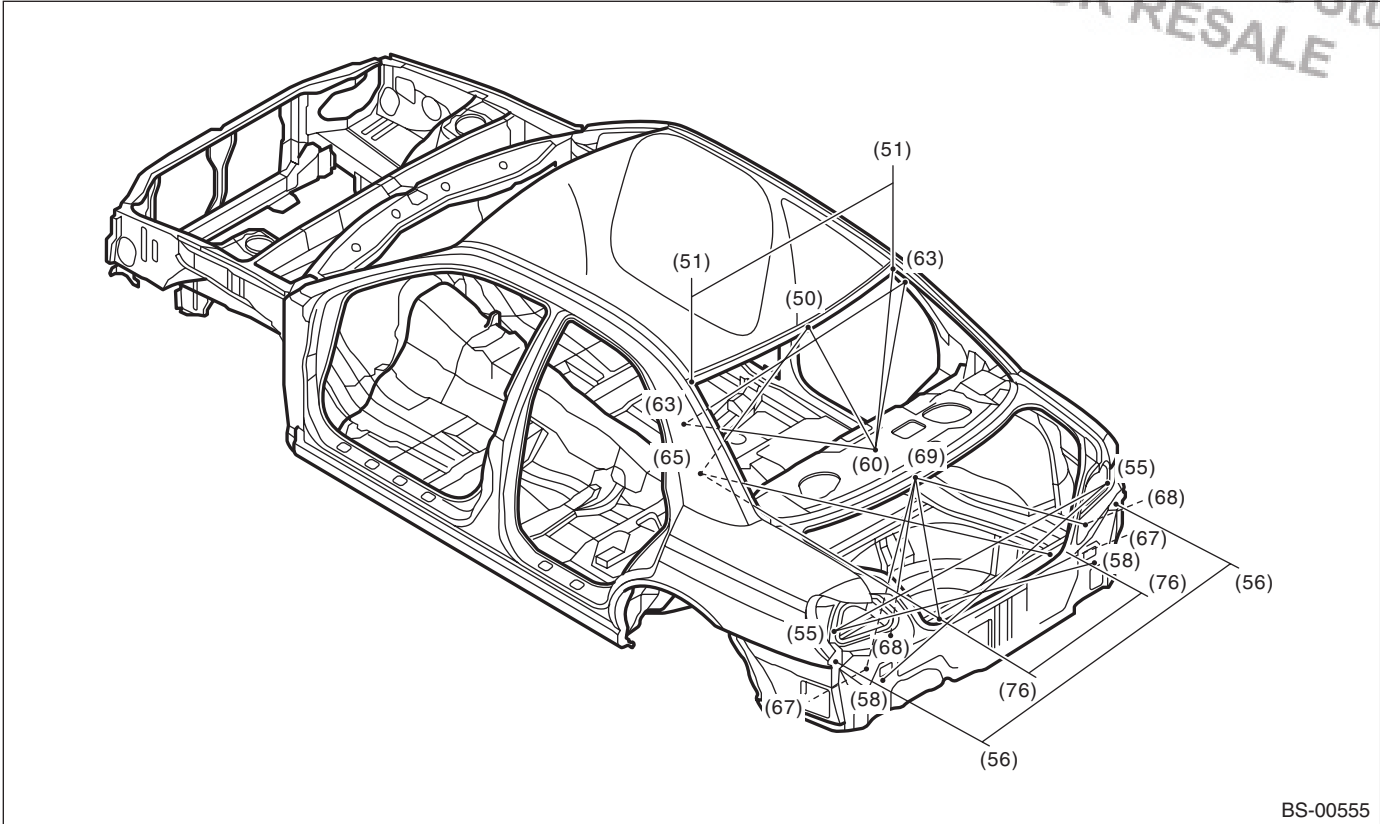
6. SEDAN MODEL (FRONT STRUCTURE)



Point of measurement	Dimension mm (in)
(50) to (71) RH	1,562 (61.50)
(50) to (71) LH	1,562 (61.50)
(60) to (62) RH	1,338 (52.68)
(60) to (62) LH	1,338 (52.68)
(62) RH to (63) RH	773 (30.43)
(62) LH to (63) LH	773 (30.43)
(62) RH to (66) LH	1,449 (57.05)
(62) LH to (66) RH	1,449 (57.05)
(63) RH to (65)	1,118 (44.02)
(63) LH to (65)	1,118 (44.02)
(63) RH to (71) RH	1,283 (50.51)
(63) LH to (71) LH	1,283 (50.51)
(65) to (66) RH	956 (37.64)
(65) to (66) LH	956 (37.64)
(66) RH to (66) LH	840 (33.07)

7. SEDAN MODEL (REAR STRUCTURE)

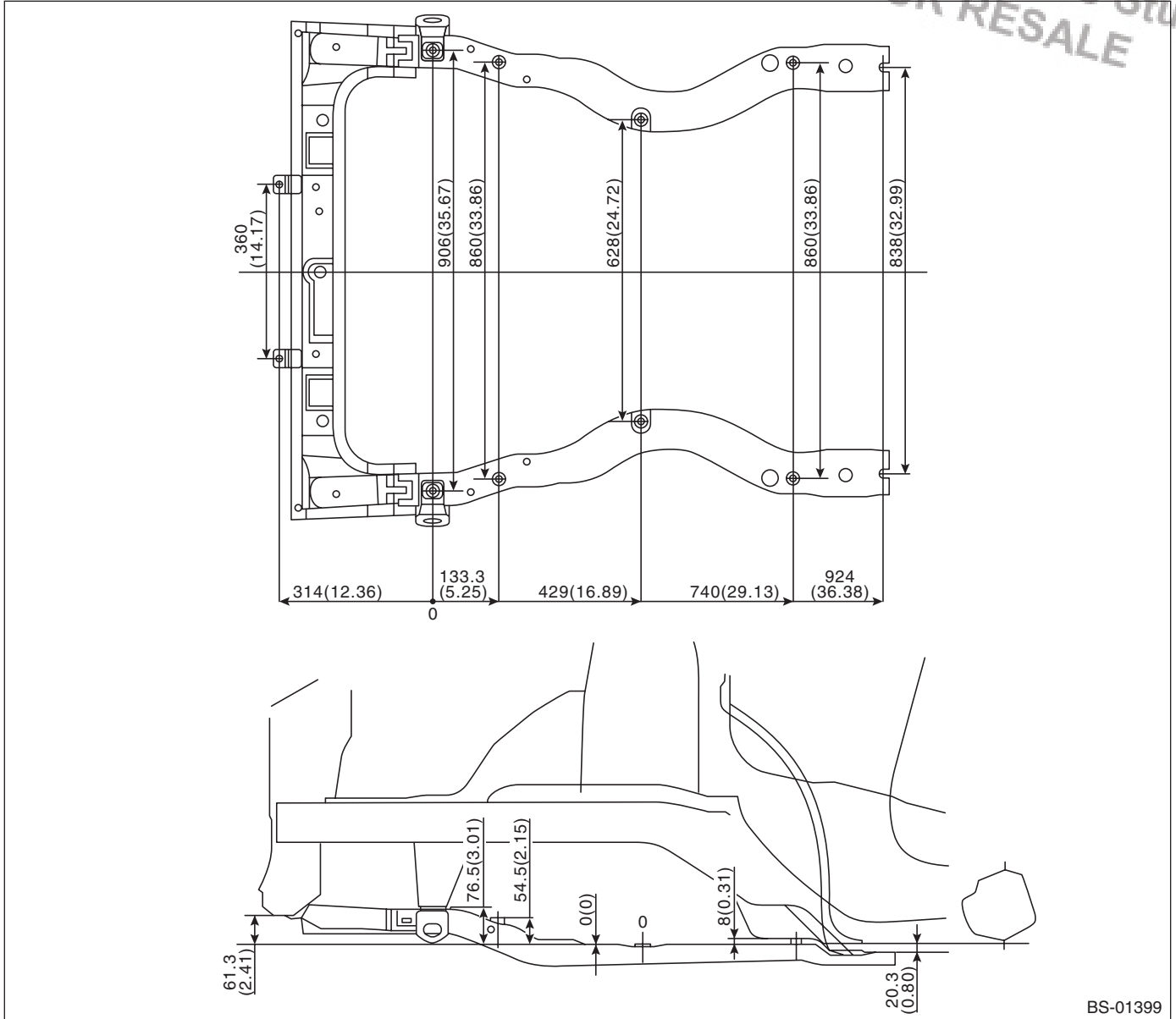
Brought to you by Eris Studios
NOT FOR RESALE



BS-00555

Point of measurement	Dimension mm (in)
(50) to (60)	501 (19.72)
(50) to (65)	1,082 (42.60)
(51) RH to (51) LH	1,025 (40.35)
(51) RH to (60)	734 (28.90)
(55) RH to (55) LH	1,406 (55.35)
(55) RH to (58) LH	1,297 (51.06)
(55) LH to (58) RH	1,297 (51.06)
(56) RH to (56) LH	1,426 (56.14)
(60) to (63) RH	764 (30.08)
(60) to (63) LH	764 (30.08)
(63) RH to (63) LH	1,183 (46.57)
(65) to (76) RH	1,544 (60.79)
(65) to (76) LH	1,544 (60.79)
(65) to (68) RH	1,581 (62.24)
(65) to (68) LH	1,581 (62.24)
(67) RH to (69)	784 (30.87)
(67) LH to (69)	784 (30.87)
(68) RH to (68) LH	1,020 (40.16)
(68) RH to (69)	681 (26.81)
(68) LH to (69)	681 (26.81)
(69) to (76) RH	537 (21.14)
(69) to (76) LH	537 (21.14)
(76) RH to (76) LH	600 (23.62)

8. SUB FRAME ALIGNMENT



Unit: mm (in)

Horizontal and vertical dimensions are values measured from datum points (0).

Brought to you by Eris Studios
NOT FOR RESALE