

Brought to you by Eris Studios
NOT FOR RESALE

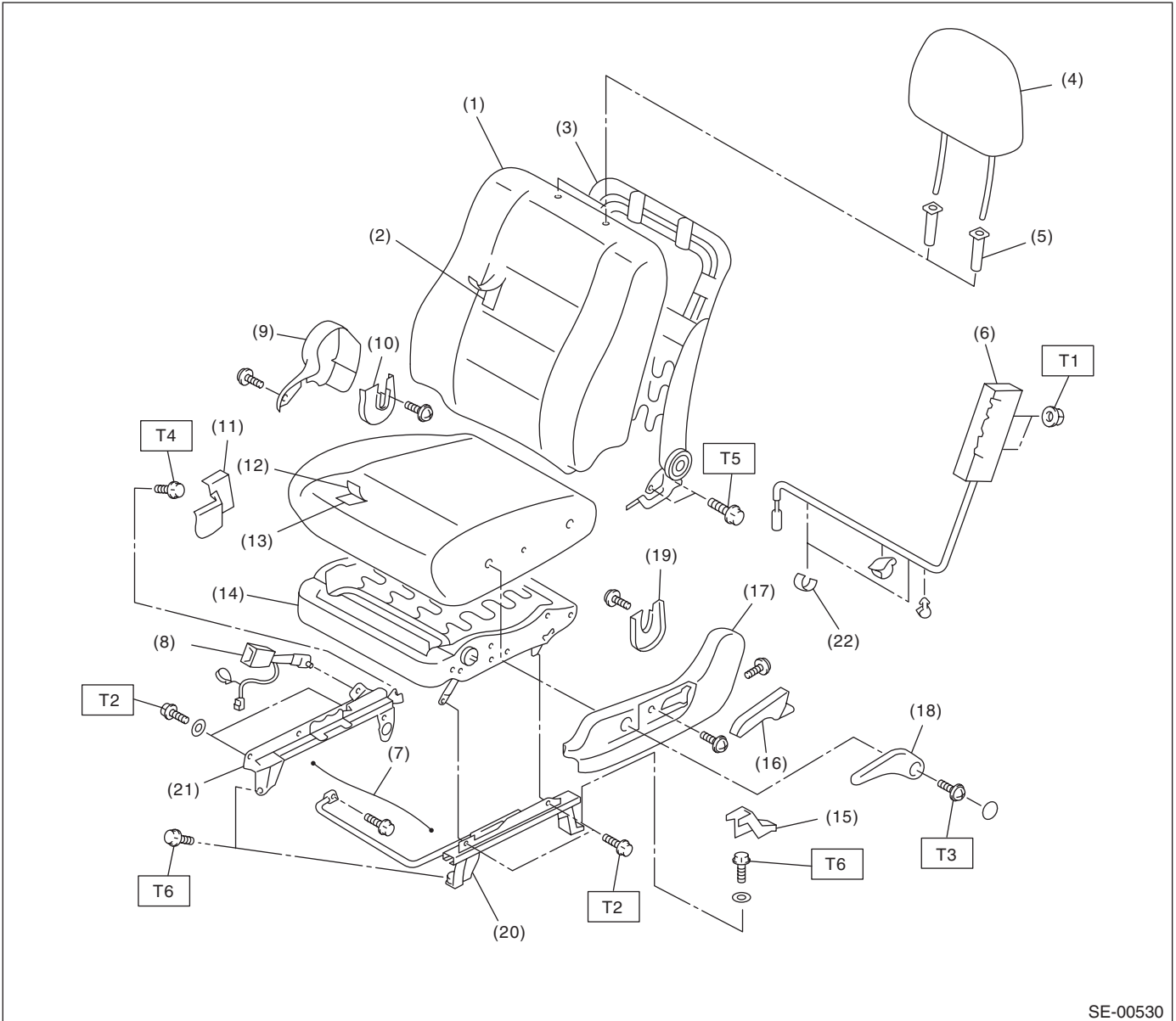
SEATS

1. General Description

A: COMPONENT

1. FRONT SEAT

- Driver's seat



SE-00530

- | | | |
|--------------------------------|--------------------------------|-----------------------|
| (1) Backrest cover | (11) Bolt cover inner | (21) Inner slide rail |
| (2) Backrest pad | (12) Seat cushion cover | (22) Tape |
| (3) Backrest frame ASSY | (13) Seat cushion pad | |
| (4) Headrest ASSY | (14) Seat cushion frame ASSY | |
| (5) Headrest lock bushing | (15) Bolt cover outer | |
| (6) Side airbag module | (16) Reclining lever | |
| (7) Connecting wire | (17) Seat hinge outer cover | |
| (8) Inner seat belt ASSY | (18) Lifter lever | |
| (9) Seat hinge inner cover | (19) Seat hinge inner cover RH | |
| (10) Seat hinge inner cover LH | (20) Outer slide rail | |

Tightening torque: N·m (kgf·m, ft·lb)

T1: 7.5 (0.76, 5.5)

T2: 10 (1.02, 7.38)

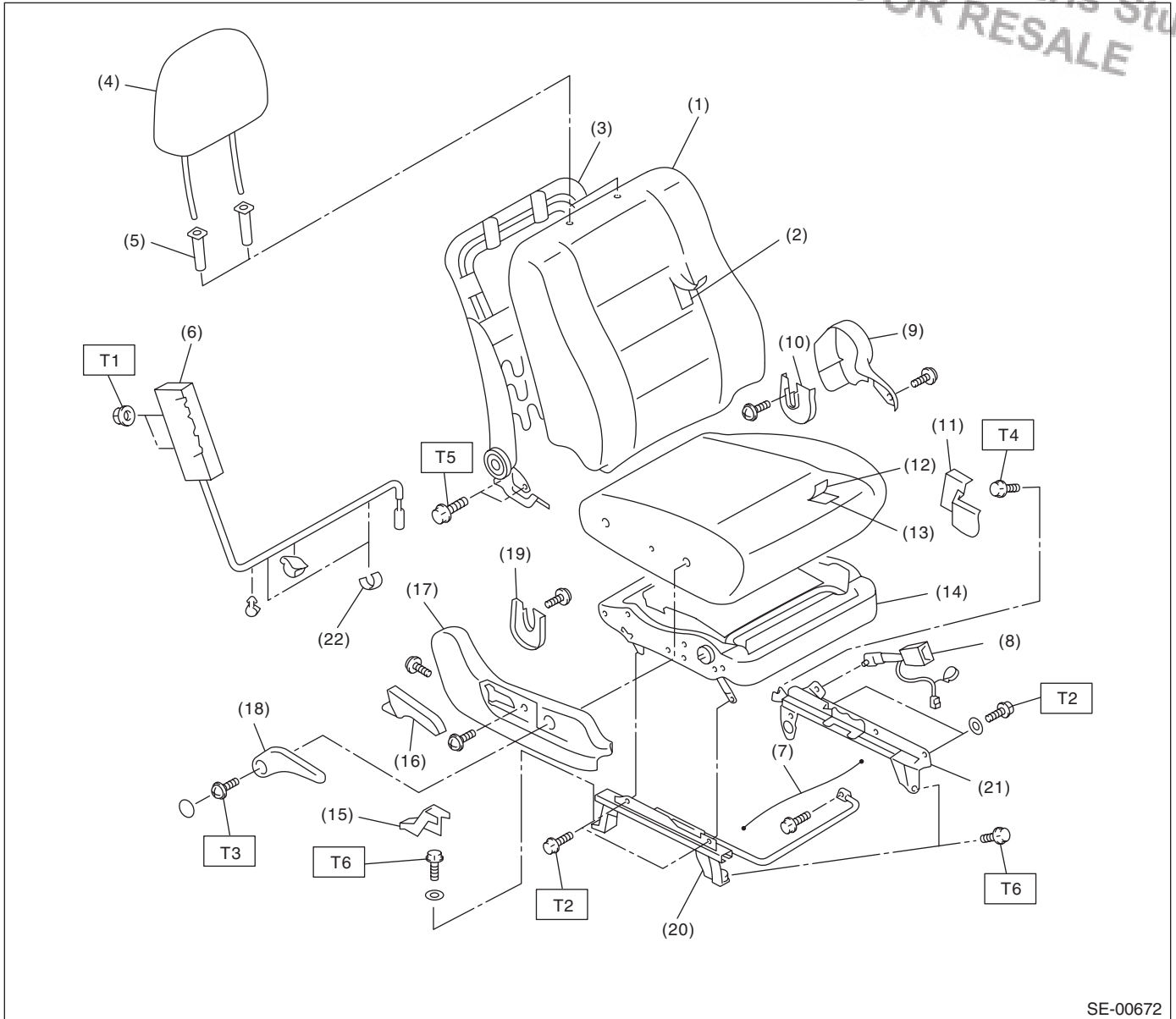
T3: 22 (2.24, 16.2)

T4: 30 (3.06, 22.1)

T5: 52 (5.30, 38.4)

T6: 53 (5.40, 39.1)

• Passenger's seat



SE-00672

- (1) Backrest cover
- (2) Backrest pad
- (3) Backrest frame ASSY
- (4) Headrest ASSY
- (5) Headrest lock bushing
- (6) Side airbag module
- (7) Connecting wire
- (8) Inner seat belt ASSY
- (9) Seat hinge inner cover
- (10) Seat hinge inner cover LH

- (11) Bolt cover inner
- (12) Seat cushion cover
- (13) Seat cushion pad
- (14) Seat cushion frame ASSY
- (15) Bolt cover outer
- (16) Reclining lever
- (17) Seat hinge outer cover
- (18) Lifter lever
- (19) Seat hinge inner cover RH
- (20) Outer slide rail

- (21) Inner slide rail
- (22) Tape

Tightening torque: N·m (kgf·m, ft·lb)

T1: 7.5 (0.76, 5.5)

T2: 10 (1.02, 7.38)

T3: 22 (2.24, 16.2)

T4: 30 (3.06, 22.1)

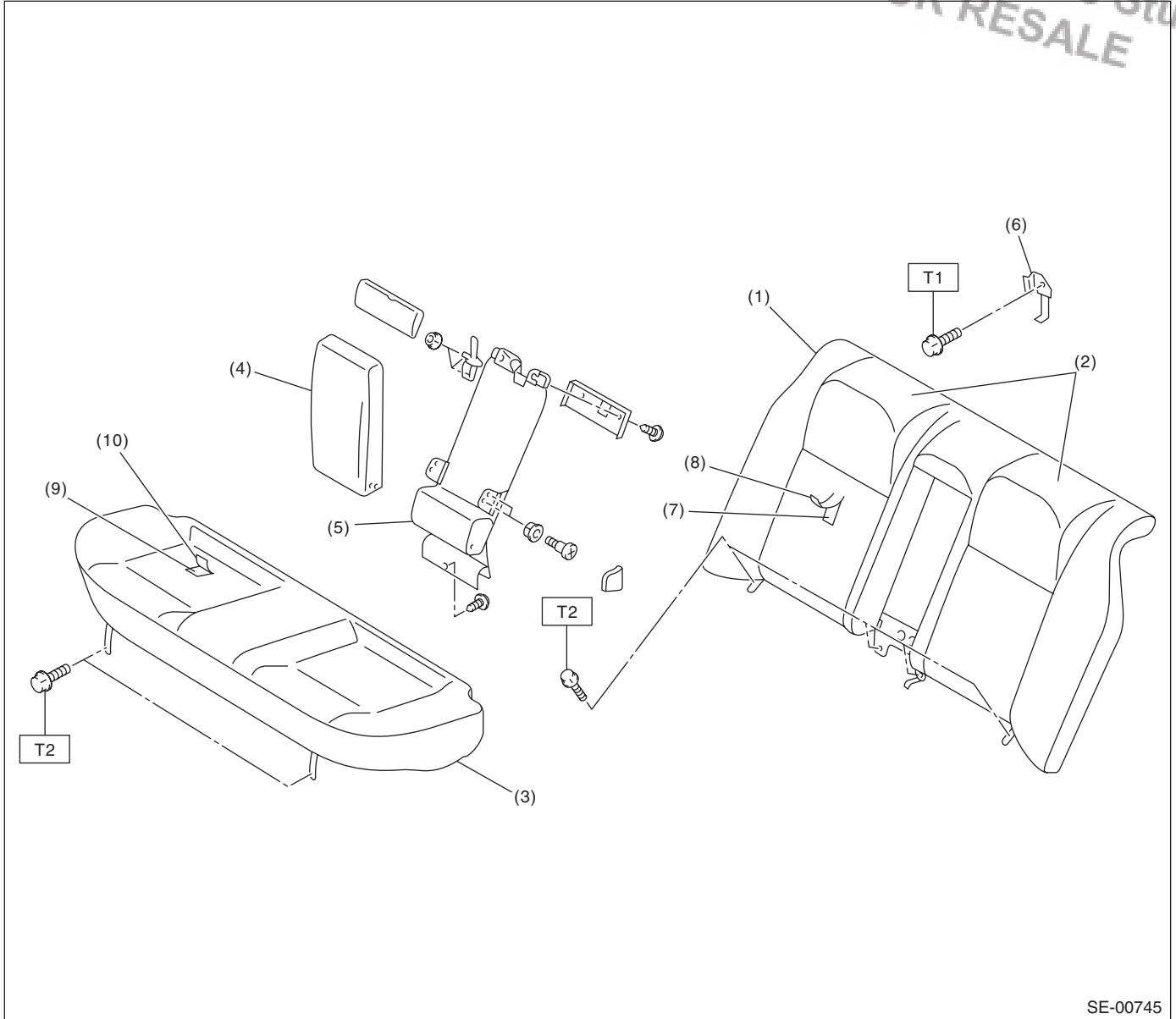
T5: 52 (5.30, 38.4)

T6: 53 (5.40, 39.1)

General Description

SEATS

2. REAR SEAT (SEDAN MODEL)



SE-00745

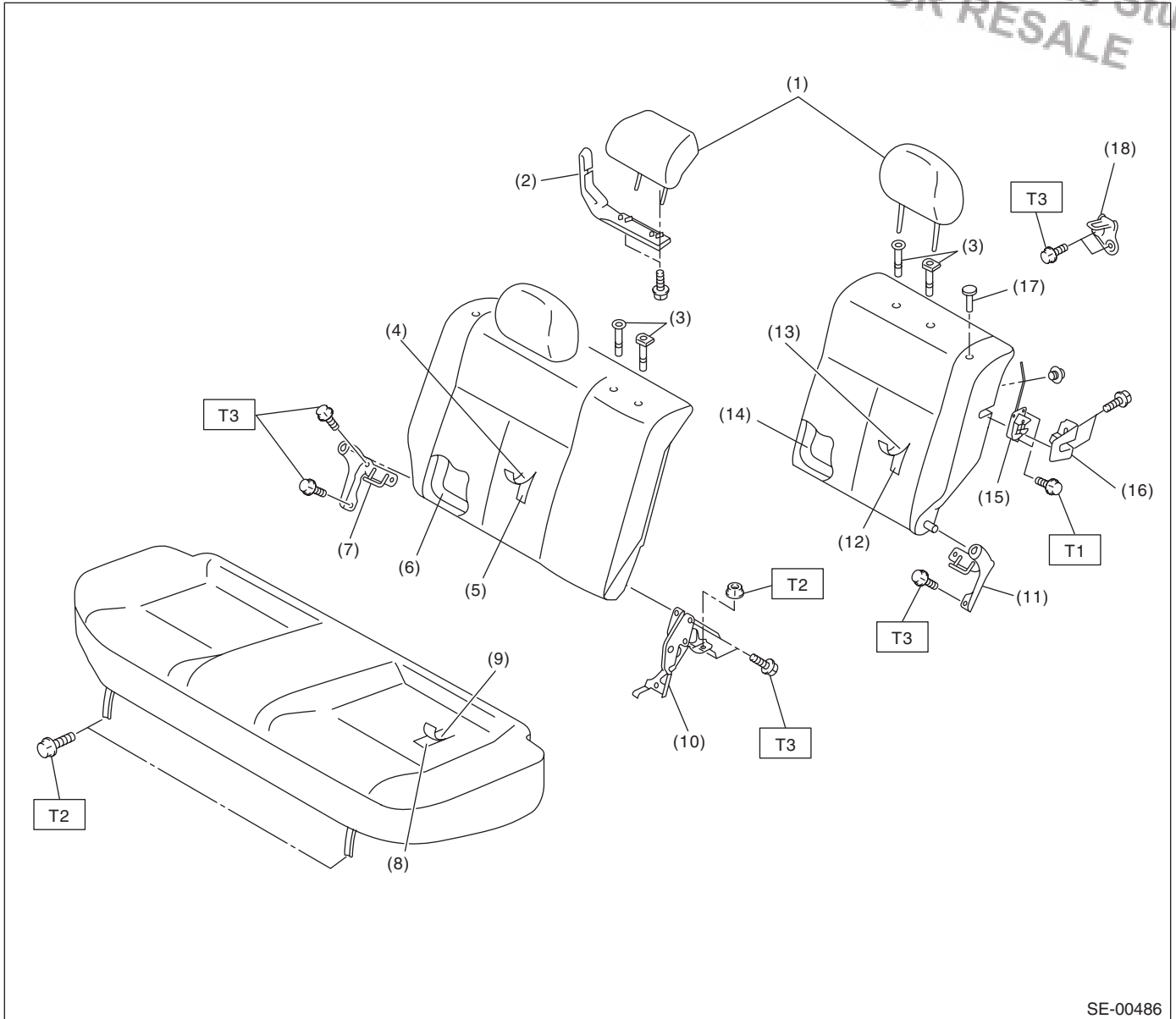
- | | |
|--------------------------|-----------------------------------|
| (1) Backrest | (6) Hook |
| (2) Headrest | (7) Backrest pad ASSY |
| (3) Cushion | (8) Backrest cover ASSY |
| (4) Armrest | (9) Rear pad & cushion frame ASSY |
| (5) Center through frame | (10) Rear cushion cover |

Tightening torque: N-m (kgf-m, ft-lb)

T1: 10 (1.02, 7.38)

T2: 24.5 (2.5, 18.1)

3. REAR SEAT (WAGON MODEL)



SE-00486

- | | |
|-----------------------|--------------------------------|
| (1) Headrest | (9) Seat cushion cover |
| (2) Seat belt guide | (10) Hinge ASSY center |
| (3) Headrest bushing | (11) Hinge ASSY LH |
| (4) Backrest cover RH | (12) Backrest pad LH |
| (5) Backrest pad RH | (13) Backrest cover LH |
| (6) Backrest frame RH | (14) Backrest frame LH |
| (7) Hinge ASSY RH | (15) Seat back latch |
| (8) Seat cushion pad | (16) Seat backrest latch cover |

- | |
|--------------------|
| (17) Backrest knob |
| (18) Striker |

Tightening torque: N·m (kgf·m, ft·lb)

T1: 17.7 (1.81, 13.1)

T2: 24.5 (2.5, 18.1)

T3: 33 (3.3, 24.6)

Brought to you by Eris Studios
NOT FOR RESALE

B: CAUTION

- If the seat cushion cover is removed or replaced, make sure to perform passenger detection system adjustment after installing the seat to the vehicle. <Ref. to OD(diag)-18, SYSTEM CALIBRATION (REZEROING), OPERATION, Subaru Select Monitor.>
Failure to do so may cause improper operation of the occupant detection system.
- The passenger detection system (passenger seat only) control unit and the passenger detection sensor are fixed to the seat cushion frame. Never remove the passenger detection control unit or the pressure sensor from the seat cushion frame.
- Do not replace the seat cushion pad by itself. Always replace the seat cushion pad and frame assembly as a set. The seat cushion pad and cushion frame are adjusted as a set at the time of manufacture. If cushion pads and cushion frames are combined from those of other vehicles or other sets, the passenger detection system may not operate properly.
- If the seat cushion cover is removed, make sure to replace the wire on the seat cushion side with a new wire. (Passenger’s seat)
- Do not remove the seat position sensor from the slide rail. (Driver’s seat)
- When removing the front seat, follow cautions given in the airbag section. <Ref. to AB-3, CAUTION, General Description.>

C: PREPARATION TOOL

1. GENERAL TOOL

| TOOL NAME | REMARKS |
|-----------------|-----------------------------------|
| Long nose plier | Used for removing the hog ring. |
| Hog ring pliers | Used for installing the hog ring. |

2. Front Seat

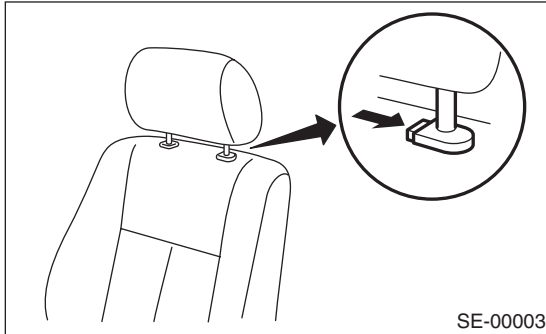
A: REMOVAL

1) Disconnect the ground cable from the battery.

CAUTION:

The airbag system is fitted with a backup power source. After disconnecting the battery ground cable, the airbag may deploy if you do not wait for 20 seconds before starting the service of airbag system.

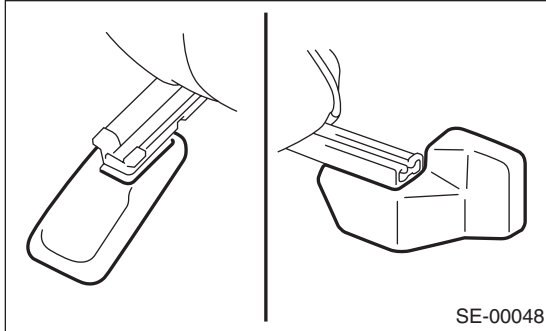
2) While pressing the headrest lock button, remove the headrest.



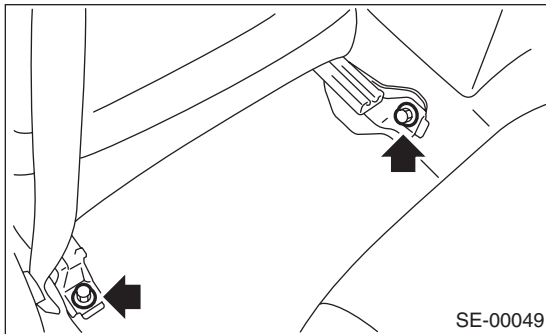
3) Tilt the backrest forward.

4) Move the seat to full front end.

5) Remove the bolt cover at rear end of the slide rail.

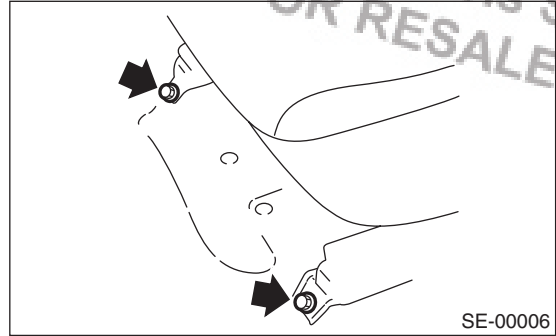


6) Remove the two bolts at rear end of slide rail.



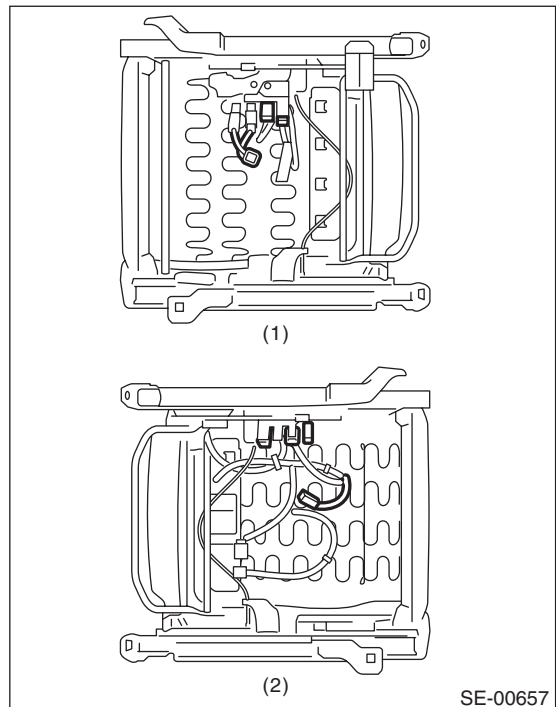
7) Move the seat to full rear end.

8) Remove the two bolts at front side of slide rail.



9) Disconnect the connector under the seat.

- Seat position sensor connector (driver's seat)
- Seat belt buckle switch connector (driver's seat)
- Harness connector of occupant detection control module (passenger's seat)
- Side airbag connector
- Seat heater connector (model with seat heater)



- (1) Driver's seat
- (2) Passenger's seat

10) Remove the front seat from vehicle.

B: INSTALLATION

Install in the reverse order of removal.

CAUTION:

After installing the driver's seat, use the Subaru Select Monitor to confirm that the seat position sensor LH is operating properly. <Ref. to AB(di-ag)-29, DISPLAY OF STATUS INFORMATION, OPERATION, Subaru Select Monitor.>

Tightening torque:

Refer to "COMPONENT" of "General Description". <Ref. to SE-2, FRONT SEAT, COMPONENT, General Description.>

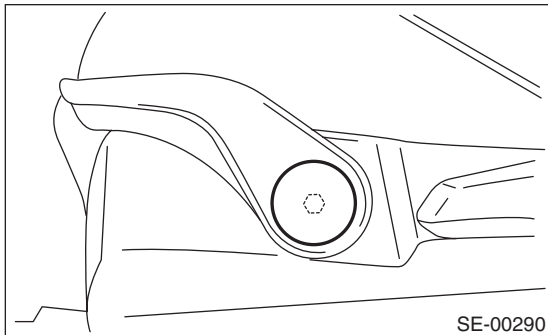
C: DISASSEMBLY

CAUTION:

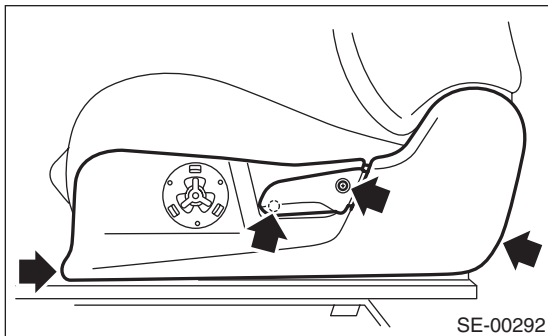
Refer to "CAUTION" of "General Description" before starting the work. <Ref. to SE-6, CAUTION, General Description.>

1. STANDARD SEAT

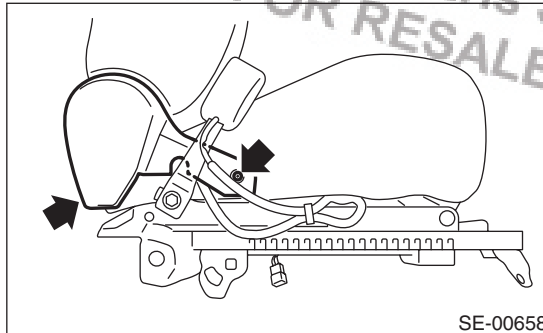
- 1) Remove the seat from vehicle. <Ref. to SE-7, REMOVAL, Front Seat.>
- 2) Remove the seat lifter cover using a flat tip screwdriver and loosen the inner bolt to remove the seat lifter lever.



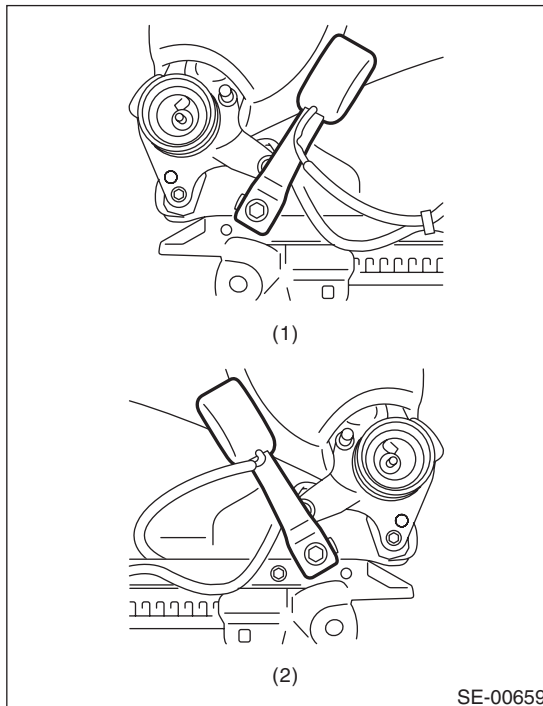
- 3) Remove the reclining lever and seat hinge outer cover.



- 4) Remove the seat hinge inner cover.

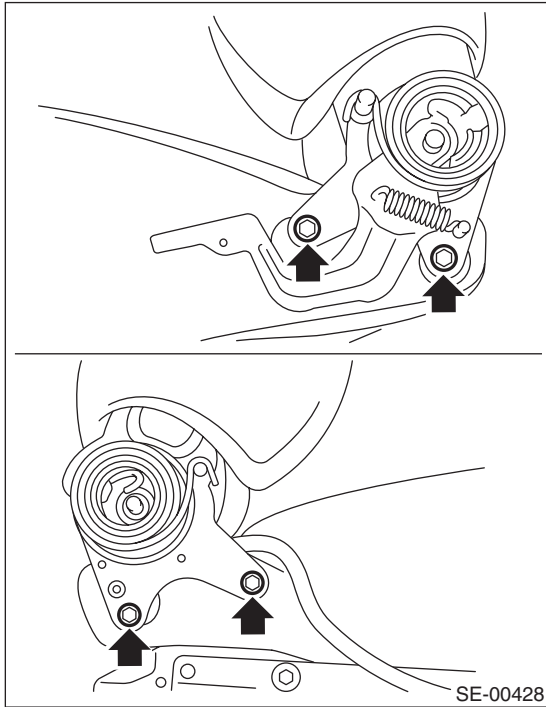


- 5) Remove the inner seat belt assembly.

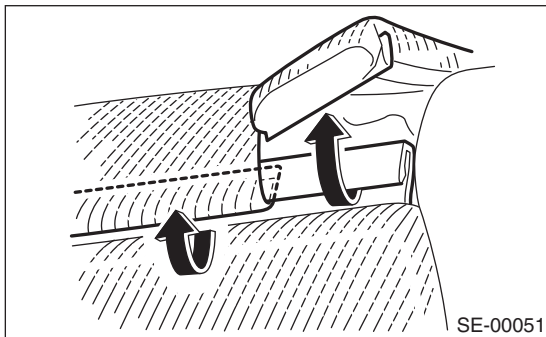


- (1) Driver's seat
- (2) Passenger's seat

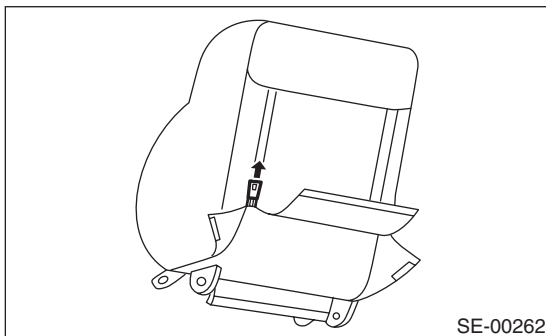
6) Remove the two bolts from the reclining hinge on each left and right side.



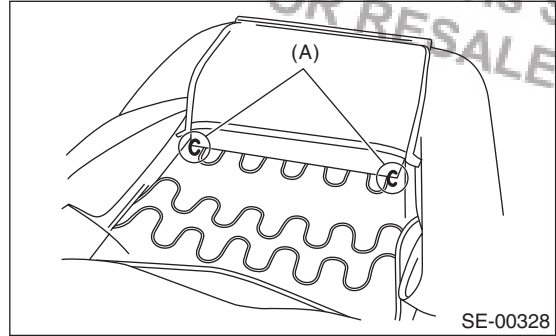
7) Remove the hook at the bottom-back side of backrest.



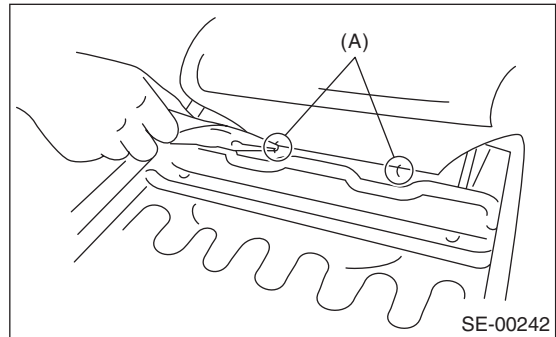
8) Open the fastener at the rear side of backrest.



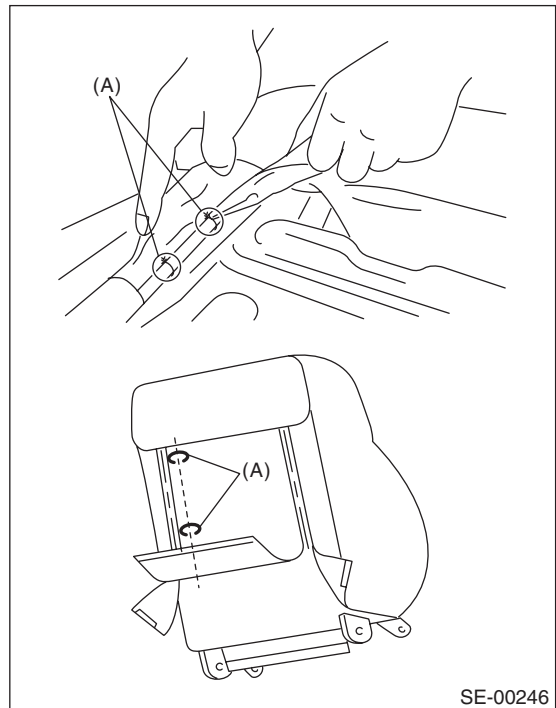
9) Remove the hog rings (A) of backrest cover.



10) Remove the hog ring (A) which secures the backrest cover and backrest pad.



11) Open the zipper behind of backrest cover, and remove the hog rings (A) at the side-inner part of backrest from backrest frame.



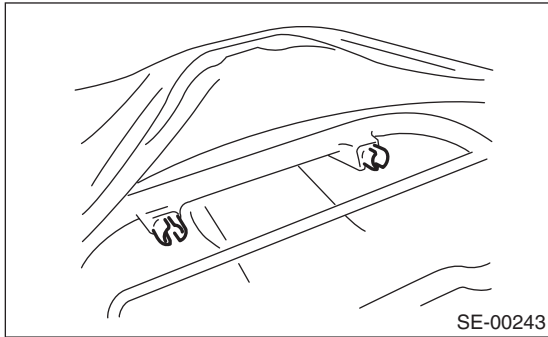
Front Seat

SEATS

12) Remove the headrest bushing.

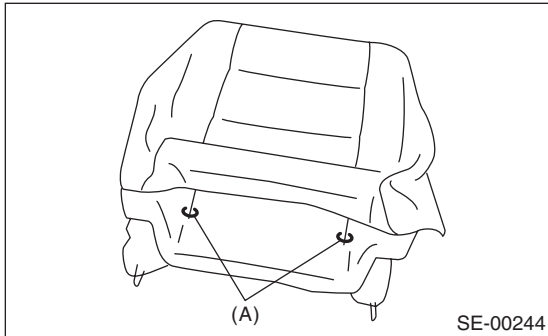
NOTE:

Push outside to remove it from the inside of seat.

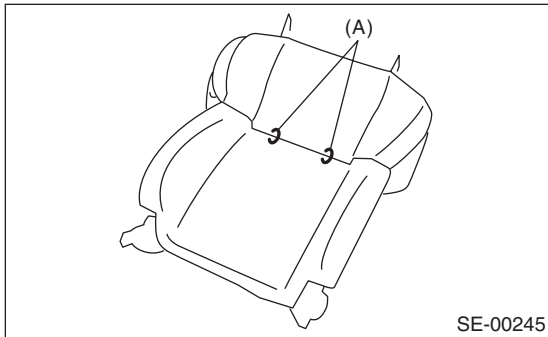


13) Pull out the backrest frame.

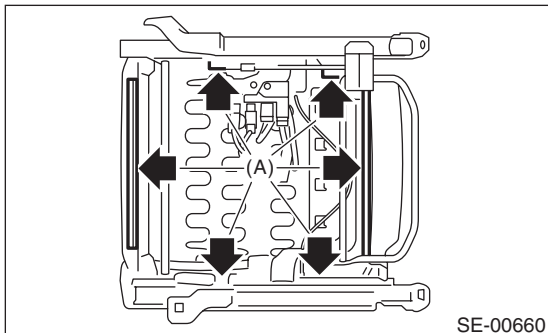
14) Remove the lower hog rings (A) on the front side of seat backrest.



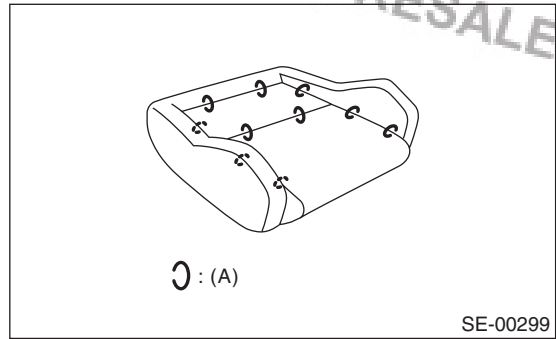
15) Remove the hog rings (A) at front of seat back, and then remove the seat back cover from seat backrest.



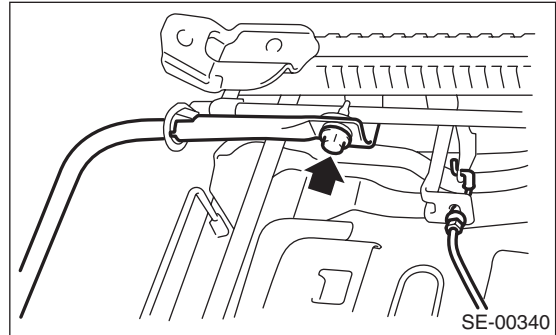
16) Remove the hooks (A), and then remove the seat cushion frame assembly.



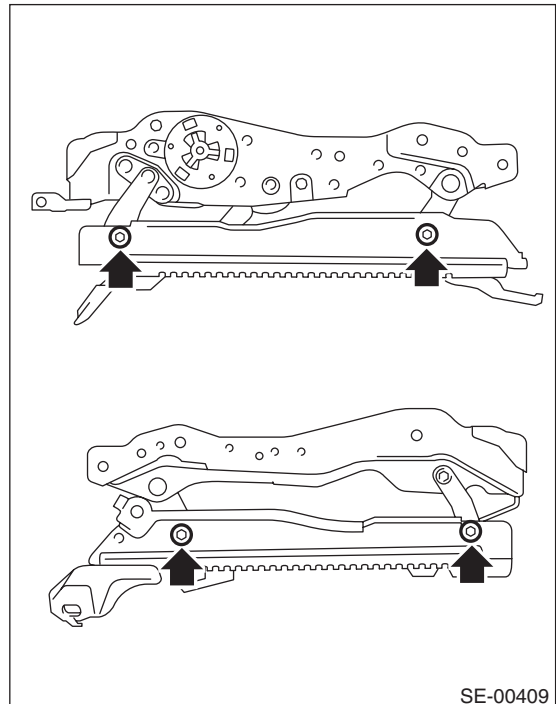
17) Remove the hog rings (A), and then remove the seat cushion cover from seat cushion pad.



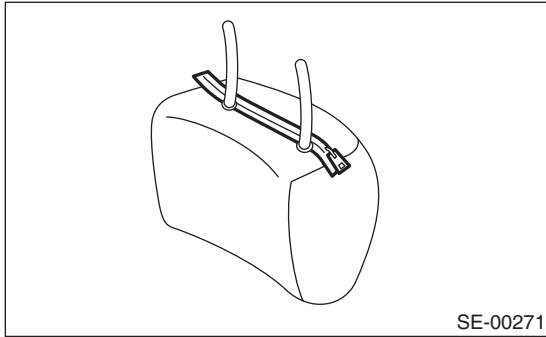
18) Remove the bolt of the sliding adjustment bar and connecting wire.



19) Remove the bolts, then remove the slide rail.

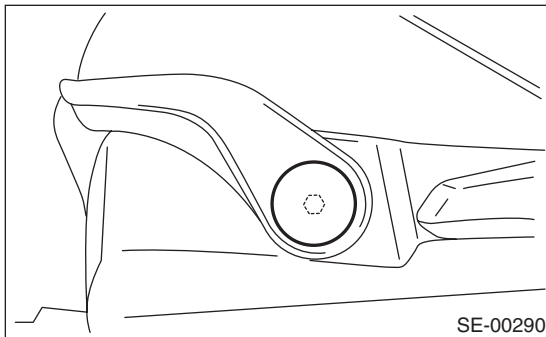


20) Open the fastener on the bottom of the headrest, then remove the headrest cover from the headrest.

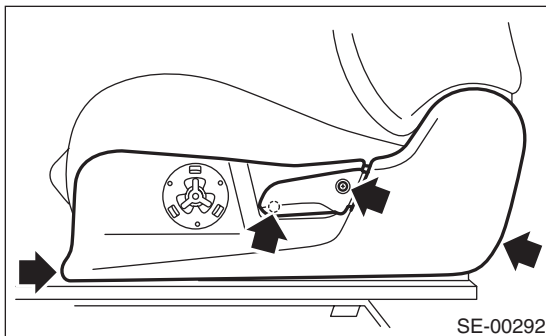


2. BUCKET TYPE SEAT

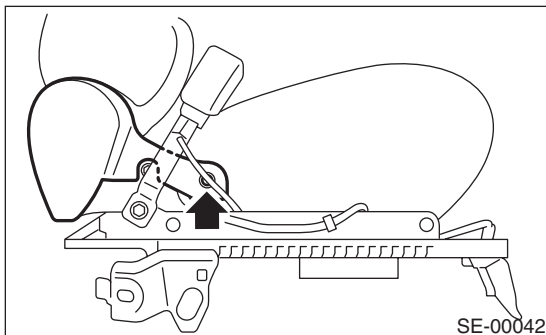
- 1) Remove the seat from vehicle. <Ref. to SE-7, REMOVAL, Front Seat.>
- 2) Remove the seat lifter cover using a flat tip screwdriver and loosen the inner bolt to remove the seat lifter lever.



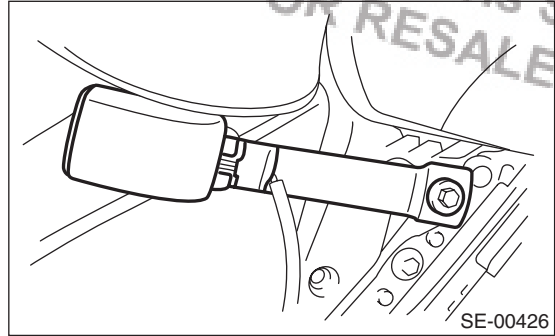
3) Remove the reclining lever and seat hinge outer cover.



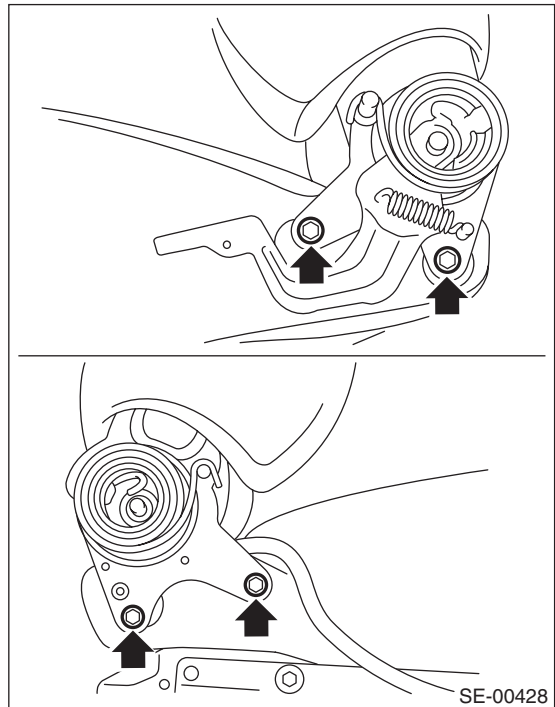
4) Remove the seat hinge inner cover.



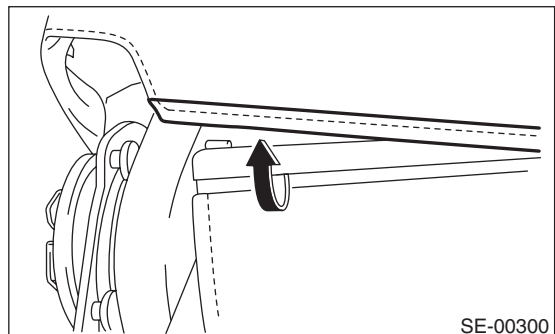
5) Remove the inner seat belt assembly.



6) Remove the two bolts from the reclining hinge on each left and right side.

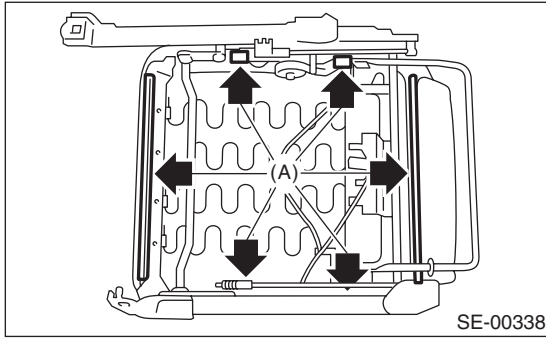


7) Remove the hook at the bottom-back side of backrest.

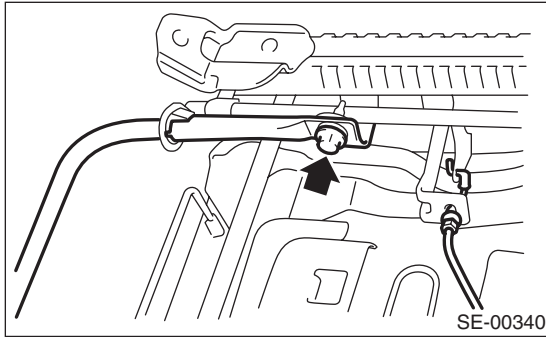


SEATS

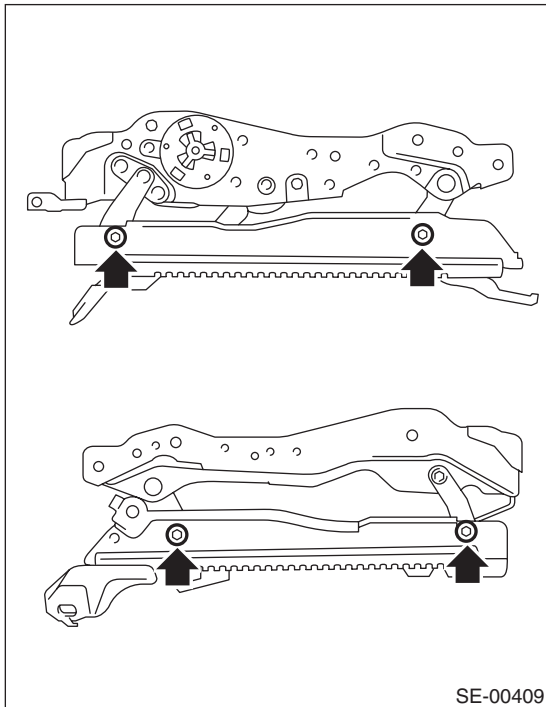
8) Remove the hooks (A), and then remove the seat cushion frame assembly.



9) Remove the bolt of the sliding adjustment bar and connecting wire.



10) Remove the bolts, then remove the slide rail.



D: ASSEMBLY

CAUTION:

1. When the backrest cover is not installed securely, the side airbag module may not be deployed properly, therefore keep strictly to the following procedure.

- Be careful not to stain or damage the backrest cover during assembly.
- Always use new hog rings.
- Secure the hog ring using hog ring pliers.
- Install the hog rings to the specified points securely and make sure that no wrinkle or twisting on backrest cover.

2. Make sure to adhere to the following rules when assembling the passenger seat. Improper work procedures can cause the passenger detection system to not operate properly.

- If the seat cushion cover is removed or replaced, make sure to perform passenger detection system adjustment after installing the seat to the vehicle. <Ref. to OD(diag)-18, SYSTEM CALIBRATION (REZEROING), OPERATION, Subaru Select Monitor.>
- Failure to do so may cause improper activation of passenger's airbag.
- The passenger detection system (passenger seat only) control unit, passenger detection sensor, seat cushion pad and seat cushion frame are considered as a single seat cushion pad and frame assembly. Never remove the passenger detection control unit or the pressure sensor from the seat cushion frame.
- Do not remove the seat position sensor from the seat rail. (Driver's seat)
- If the seat cushion cover is removed, make sure to replace the wire on the seat cushion side with a new wire. (Passenger's seat)
- Make sure to install the hog rings/clips to the specified locations. Do not reuse hog rings.

Assemble in the reverse order of disassembly.

Tightening torque:

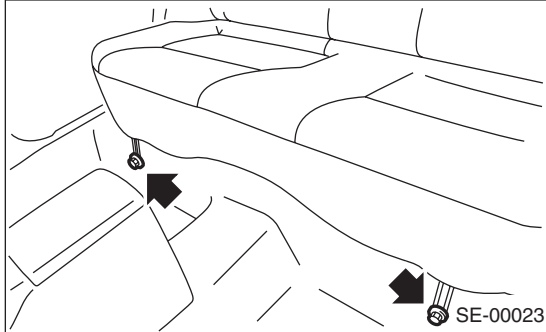
Refer to "COMPONENT" of "General Description". <Ref. to SE-2, FRONT SEAT, COMPONENT, General Description.>

3. Rear Seat

A: REMOVAL

1. WAGON MODEL

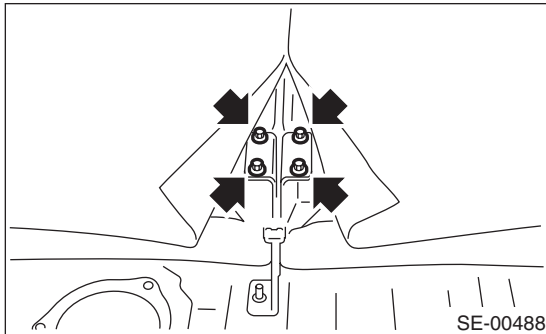
1) Remove the bolt to remove the rear seat cushion.



2) Remove the headrest.

3) Remove the luggage floor mat. <Ref. to EI-61, REMOVAL, Luggage Floor Mat.>

4) Turn over the seat cover to remove the bolt.

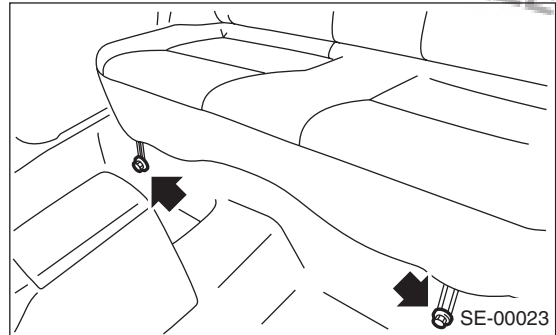


5) Remove the rear seat backrest.

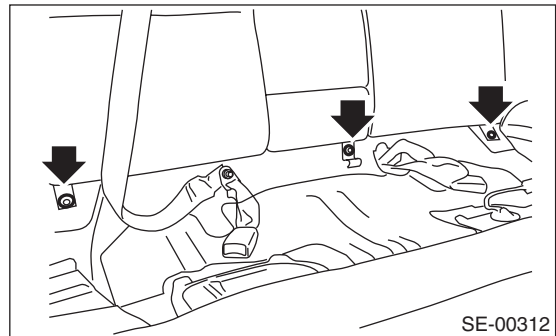


2. SEDAN MODEL

1) Remove the bolt to remove the rear seat cushion.



2) Remove the bolts securing lower position of backrest and then open the center trunk through lid.



3) Lift the rear seat backrest and then remove it.

B: INSTALLATION

1. WAGON MODEL

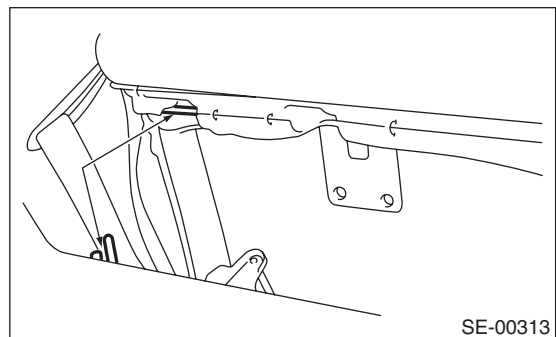
Install in the reverse order of removal.

Tightening torque:

Refer to "COMPONENT" of "General Description". <Ref. to SE-5, REAR SEAT (WAGON MODEL), COMPONENT, General Description.>

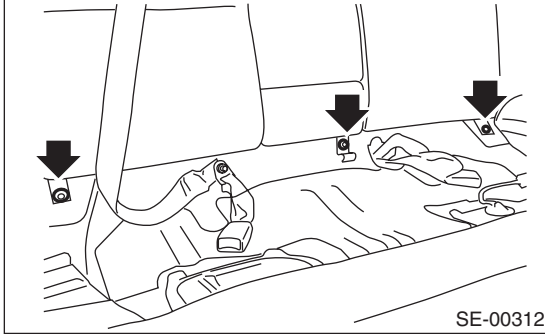
2. SEDAN MODEL

1) Hook and fasten the upper-back side of the rear seat backrest to the body hook.

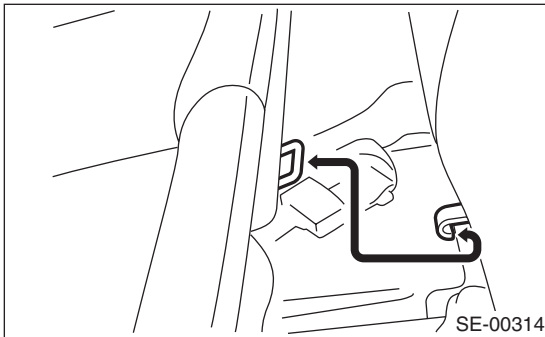


SEATS

2) Tighten the bolts.



3) Hook and secure the seat cushion to the hook on the bottom part of the rear seat backrest.



Tightening torque:

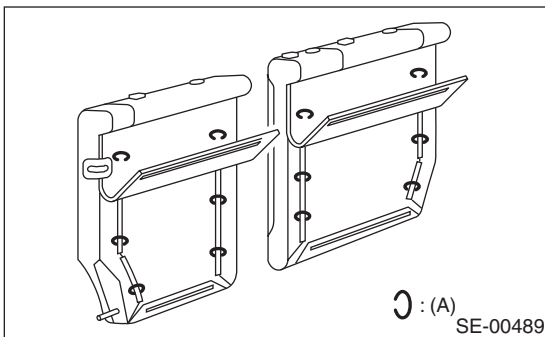
Refer to "COMPONENT" of "General Description". <Ref. to SE-4, REAR SEAT (SEDAN MODEL), COMPONENT, General Description.>

C: DISASSEMBLY

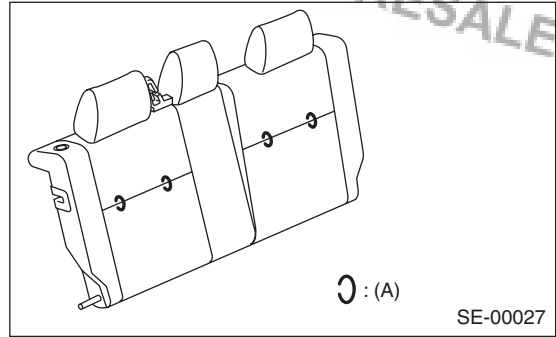
1. WAGON MODEL

1) Remove the rear seat. <Ref. to SE-13, WAGON MODEL, REMOVAL, Rear Seat.>

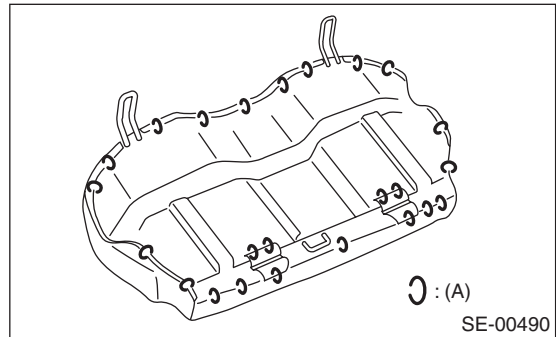
2) Remove the hog rings (A) behind the seat backrest.



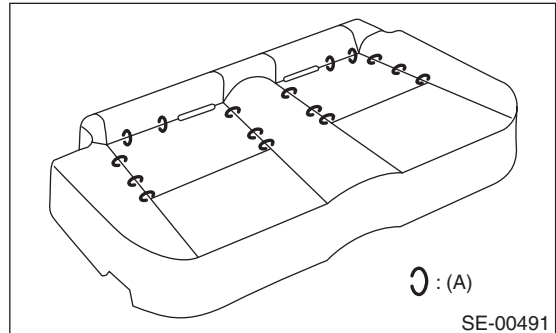
3) Remove the hog rings (A) on the front side of cushion pad, and then remove the cover.



4) Remove the hog rings (A) on the rear side of the seat cushion.



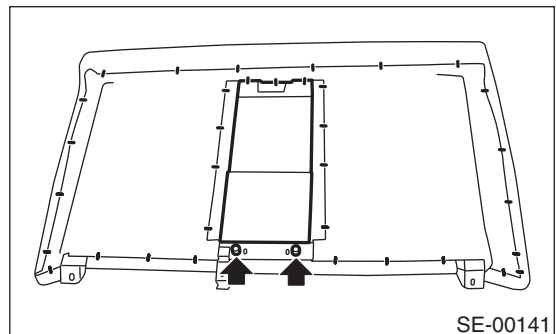
5) Remove the hog rings (A), then remove the seat cushion cover.



2. SEDAN MODEL

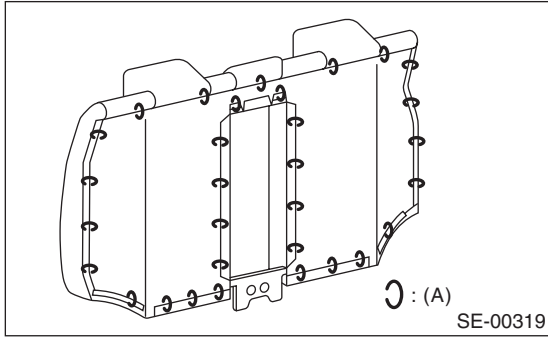
1) Remove the rear seat. <Ref. to SE-13, SEDAN MODEL, REMOVAL, Rear Seat.>

2) Remove two nuts, and then remove the armrest assembly.

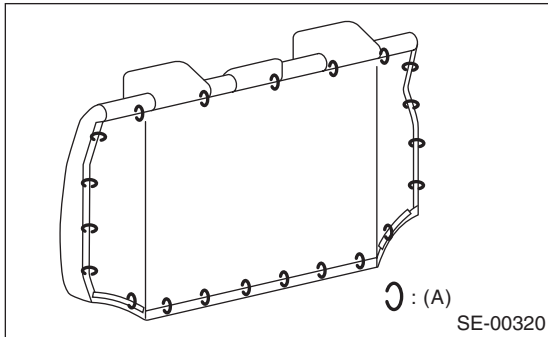


3) Remove the hog rings (A) behind the seat backrest.

- Armrest through type model

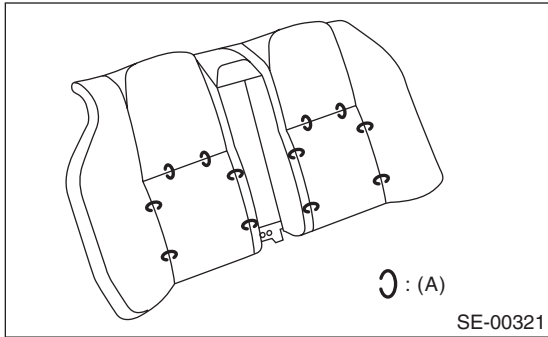


- Unified type model

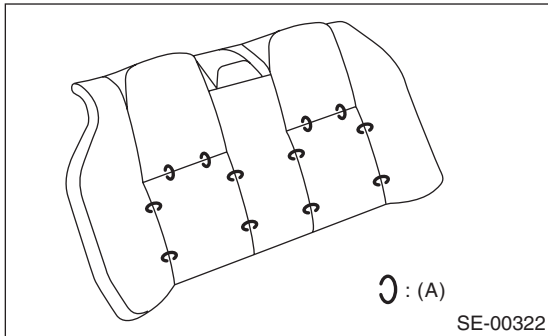


4) Remove the hog rings (A), and then remove the seat cover.

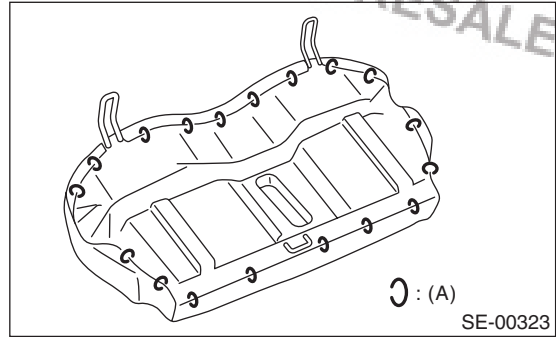
- Armrest through type model



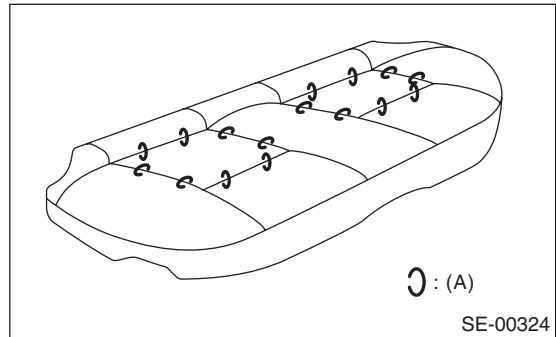
- Unified type model



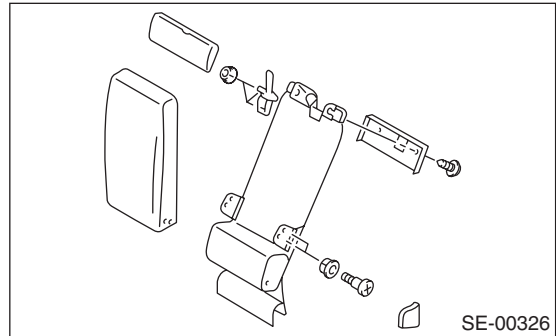
5) Remove the hog rings (A) on the rear side of the seat cushion.



6) Remove the hog rings (A), then remove the seat cushion cover.



7) Remove the nuts and screws, and then disassemble the armrest assembly.



D: ASSEMBLY

Assemble in the reverse order of disassembly.

NOTE:

- Do not contaminate or damage the cover.
- While installing the hog rings, prevent the seat from getting wrinkled.

Brought to you by Eris Studios
NOT FOR RESALE