

Brought to you by Eris Studios
NOT FOR RESALE

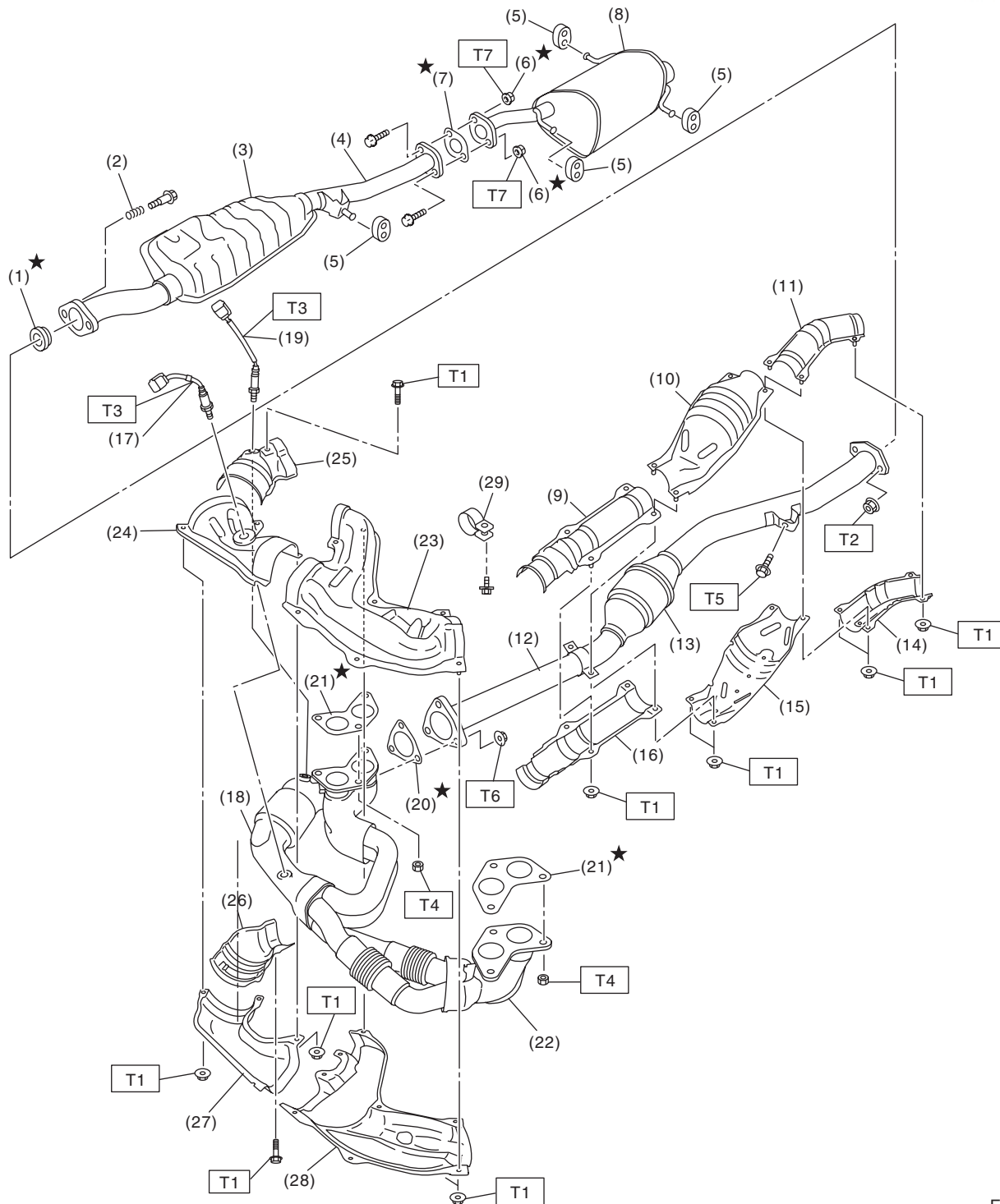
EXHAUST

General Description

EXHAUST

1. General Description

A: COMPONENT



EX-02203

EX(H4SO)-2

General Description

EXHAUST

(1) Gasket	(14) Center exhaust pipe rear lower cover	(26) Front catalytic converter lower cover
(2) Spring	(15) Rear catalytic converter lower cover	(27) Front exhaust pipe lower cover RH
(3) Chamber	(16) Center exhaust pipe front lower cover	(28) Front exhaust pipe lower cover LH
(4) Rear exhaust pipe	(17) Front oxygen (A/F) sensor	(29) Clamp
(5) Cushion rubber	(18) Front catalytic converter	
(6) Self-locking nut	(19) Rear oxygen sensor	
(7) Gasket	(20) Gasket	
(8) Muffler	(21) Gasket	
(9) Center exhaust pipe front upper cover	(22) Front exhaust pipe	
(10) Rear catalytic converter upper cover	(23) Front exhaust pipe upper cover LH	
(11) Center exhaust pipe rear upper cover	(24) Front exhaust pipe upper cover RH	
(12) Center exhaust pipe	(25) Front catalytic converter upper cover	
(13) Rear catalytic converter		

Tightening torque:N·m (kgf-m, ft-lb)

- T1: 13 (1.3, 9.4)**
- T2: 18 (1.8, 13.0)**
- T3: 21 (2.1, 15.2)**
- T4: 30 (3.1, 22.4)**
- T5: 35 (3.6, 26.0)**
- T6: 40 (4.1, 29.5)**
- T7: 48 (4.9, 35.4)**

B: CAUTION

- Wear appropriate work clothing, including a cap, protective goggles and protective shoes when performing any work.
- Remove contamination including dirt and corrosion before removal, installation or disassembly.
- Keep the disassembled parts in order and protect them from dust and dirt.
- Before removal, installation or disassembly, be sure to clarify the failure. Avoid unnecessary removal, installation, disassembly and replacement.
- Vehicle components are extremely hot after driving. Be wary of receiving burns from heated parts.
- Be sure to tighten fasteners including bolts and nuts to the specified torque.
- Place shop jacks or rigid racks at the specified points.
- Before disconnecting connectors of sensors or units, be sure to disconnect the ground cable from the battery.
- If any fat adheres to the exhaust pipe, wipe it off. Otherwise a fire may happen.

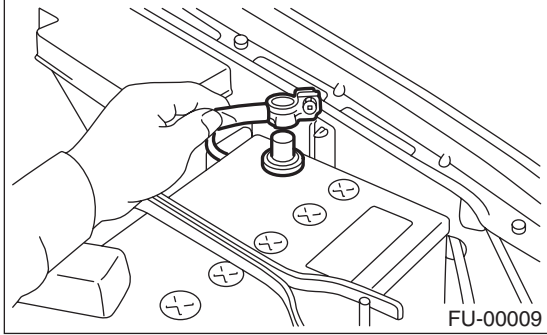
2. Front Exhaust Pipe

A: REMOVAL

CAUTION:

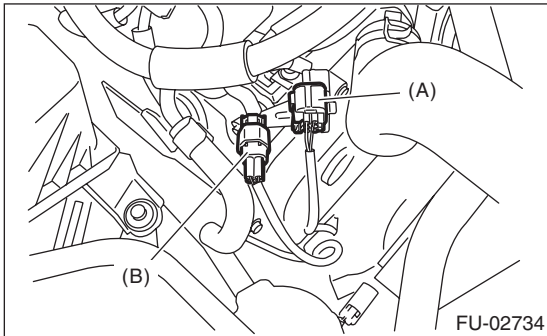
Be careful not to burn yourself, because the exhaust pipe becomes extremely hot after running.

- 1) Set the vehicle on a lift.
- 2) Disconnect the ground cable from the battery.



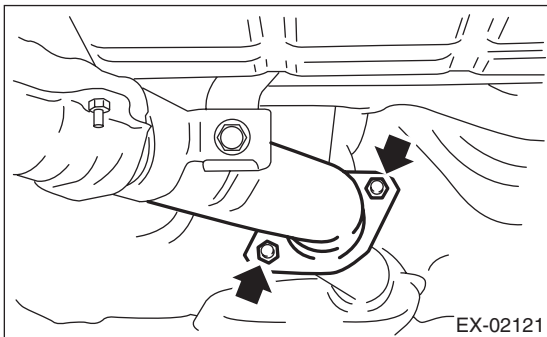
- 3) Unclip the clip fastening the harness and disconnect the following connectors.

- (1) Front oxygen (A/F) sensor connector
- (2) Rear oxygen sensor connector



- (A) Front oxygen (A/F) sensor connector
 (B) Rear oxygen sensor connector

- 4) Lift up the vehicle.
- 5) Separate the center exhaust pipe from rear exhaust pipe.

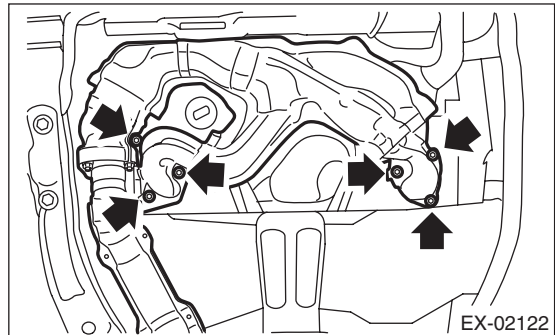


- 6) Remove the under cover.

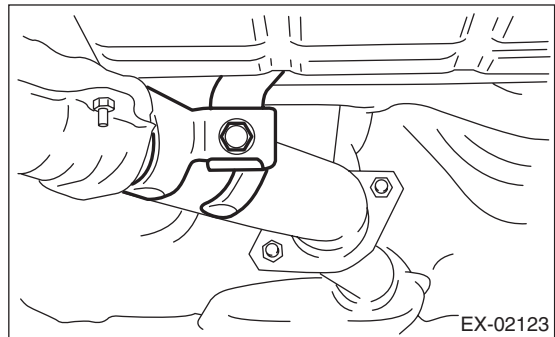
- 7) Remove the nuts which hold front exhaust pipe onto cylinder heads.

CAUTION:

Be careful not to pull down the front and center exhaust pipe assembly.



- 8) Remove the bolts which hold the front and center exhaust pipe assemblies to the hanger bracket.

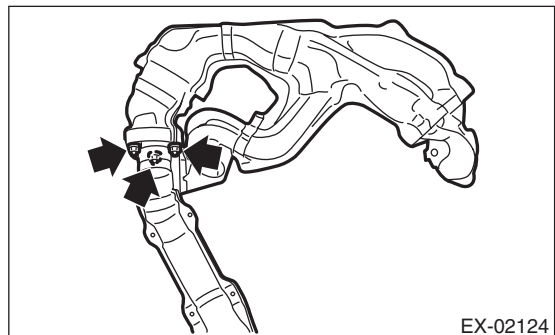


- 9) Remove the front and center exhaust pipe assembly from the vehicle.

CAUTION:

- The front and center exhaust pipe assemblies are very heavy. Be careful not to drop the exhaust pipes when removing.
- After removing the front and center exhaust pipe assemblies, do not pull on the rear exhaust pipe with excessive force.

- 10) Separate the front exhaust pipe from center exhaust pipe.



- 11) Remove the front oxygen (A/F) sensor and rear oxygen sensor. <Ref. to FU(H4SO)-36, REMOVAL, Front Oxygen (A/F) Sensor.><Ref. to FU(H4SO)-37, REMOVAL, Rear Oxygen Sensor.>

B: INSTALLATION

1) Install the front oxygen (A/F) sensor and rear oxygen sensor. <Ref. to FU(H4SO)-36, INSTALLATION, Front Oxygen (A/F) Sensor.> <Ref. to FU(H4SO)-37, INSTALLATION, Rear Oxygen Sensor.>

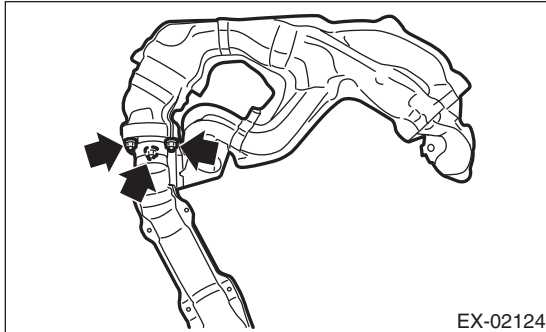
2) Install the front exhaust pipe to center exhaust pipe.

NOTE:

Use a new gasket.

Tightening torque:

40 N·m (4.1 kgf-m, 29.5 ft-lb)

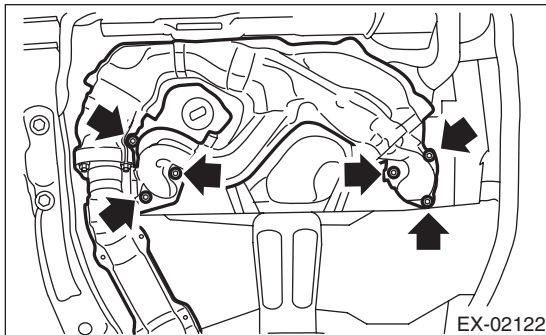


3) Install the front and center exhaust pipe assembly to the vehicle.

NOTE:

Use a new gasket.

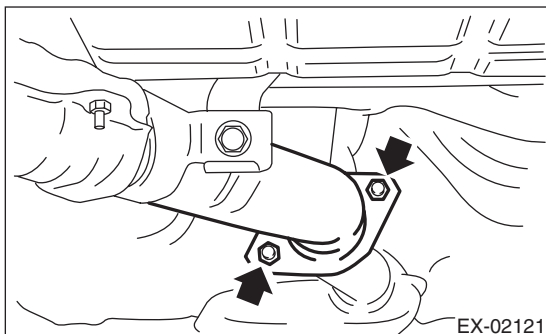
4) Temporarily tighten the nuts which hold front exhaust pipe to cylinder heads.



5) Tighten the bolt which holds the center exhaust pipe to exhaust pipe.

Tightening torque:

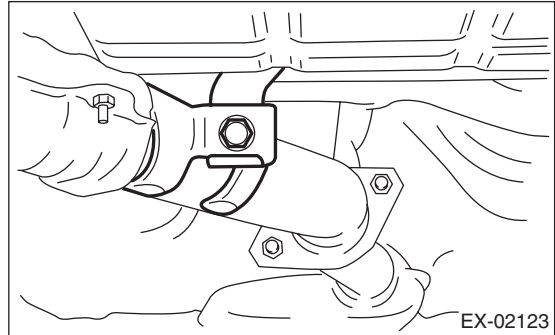
18 N·m (1.8 kgf-m, 13.0 ft-lb)



6) Tighten the bolts which affix the front and center exhaust pipe assemblies to the hanger bracket.

Tightening torque:

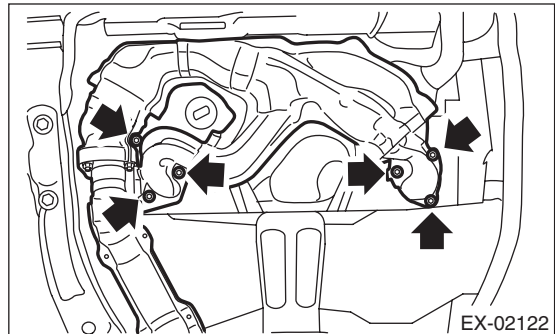
35 N·m (3.6 kgf-m, 26.0 ft-lb)



7) Tighten the nuts which hold front exhaust pipe to cylinder heads.

Tightening torque:

30 N·m (3.1 kgf-m, 22.4 ft-lb)

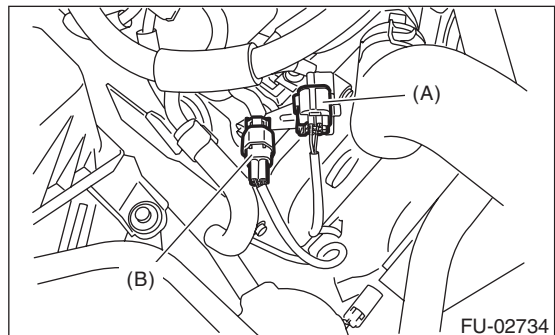


8) Install the under cover.

9) Lower the vehicle.

10) Connect the following connectors.

- (1) Front oxygen (A/F) sensor connector
- (2) Rear oxygen sensor connector



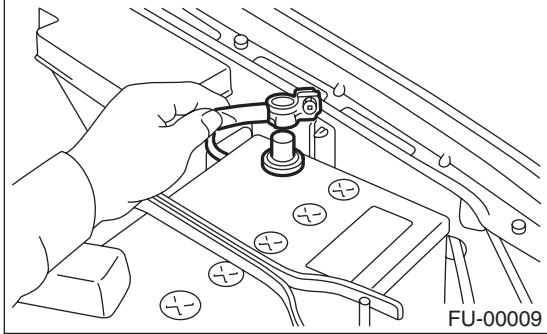
(A) Front oxygen (A/F) sensor connector

(B) Rear oxygen sensor connector

Front Exhaust Pipe

EXHAUST

- 11) Connect the battery ground cable to battery.



C: INSPECTION

- 1) Check the connections and welds for exhaust leaks.
- 2) Make sure there are no holes or rusting.

3. Center Exhaust Pipe

A: REMOVAL

After removing the center and front exhaust pipes as one unit, separate them. Refer to "Front Exhaust Pipe" for the removal procedure. <Ref. to EX(H4SO)-4, REMOVAL, Front Exhaust Pipe.>

B: INSTALLATION

Install the center exhaust pipe and front exhaust pipe as one unit. Refer to "Front Exhaust Pipe" for the installation procedure. <Ref. to EX(H4SO)-5, INSTALLATION, Front Exhaust Pipe.>

C: INSPECTION

- 1) Check the connections and welds for exhaust leaks.
- 2) Make sure there are no holes or rusting.

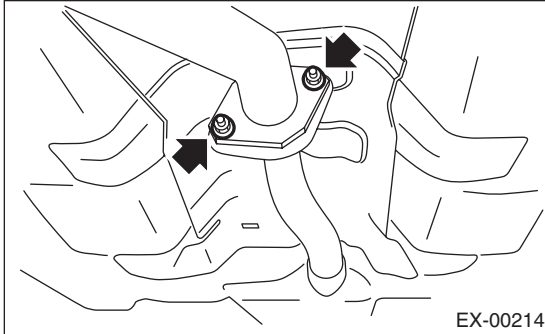
4. Rear Exhaust Pipe

A: REMOVAL

CAUTION:

Be careful not to burn yourself, because the exhaust pipe becomes extremely hot after running.

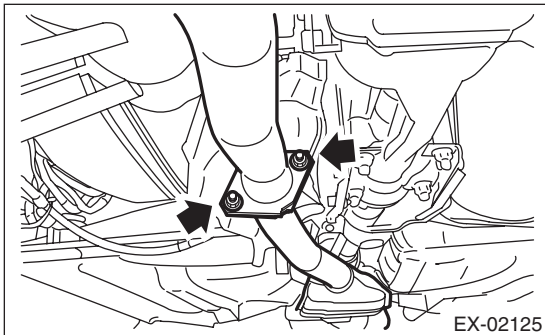
- 1) Set the vehicle on a lift.
- 2) Lift up the vehicle.
- 3) Separate the rear exhaust pipe from center exhaust pipe.



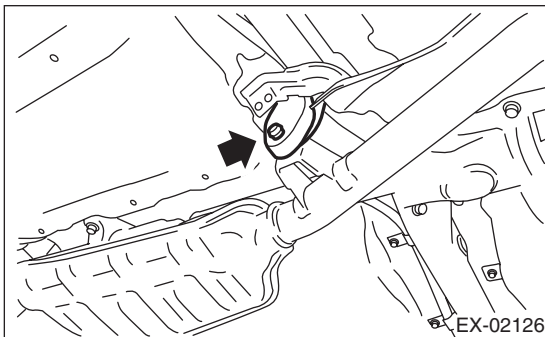
- 4) Separate the rear exhaust pipe from muffler.

CAUTION:

Be careful not to pull down the rear exhaust pipe.



- 5) Apply a coat of spray type lubricant to the mating area of cushion rubber.
- 6) Remove the rear exhaust pipe bracket from cushion rubber.

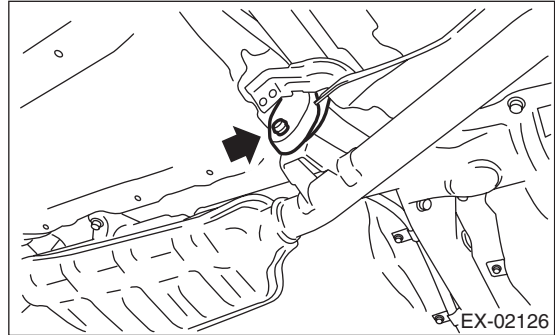


B: INSTALLATION

- 1) Apply a coat of spray type lubricant to the mating area of cushion rubber.
- 2) Install the rear exhaust pipe bracket to cushion rubber.

NOTE:

After assembling, degrease the lubricant which was applied to the cushion rubber while removing/installing.



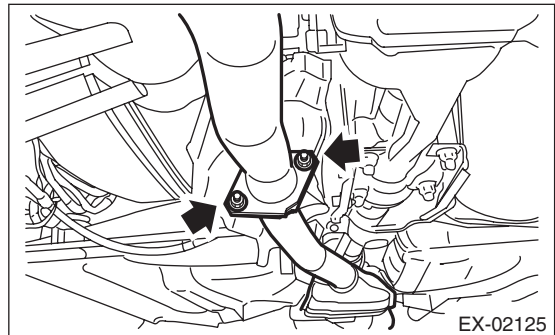
- 3) Install the rear exhaust pipe to muffler.

NOTE:

Use a new gasket and self-locking nut.

Tightening torque:

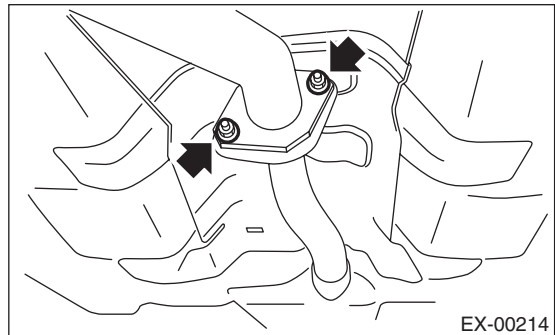
48 N·m (4.9 kgf-m, 35.4 ft-lb)



- 4) Install the rear exhaust pipe to center exhaust pipe.

Tightening torque:

18 N·m (1.8 kgf-m, 13.0 ft-lb)



C: INSPECTION

- 1) Check the connections and welds for exhaust leaks.
- 2) Make sure there are no holes or rusting.
- 3) Check the cushion rubber for wear or crack.

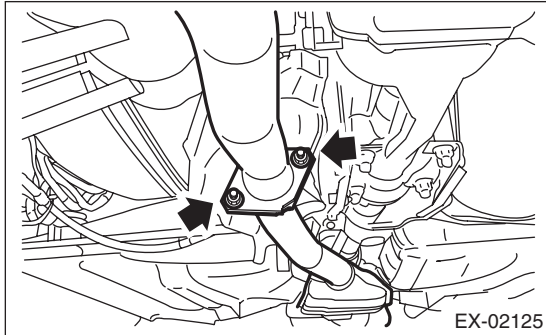
5. Muffler

A: REMOVAL

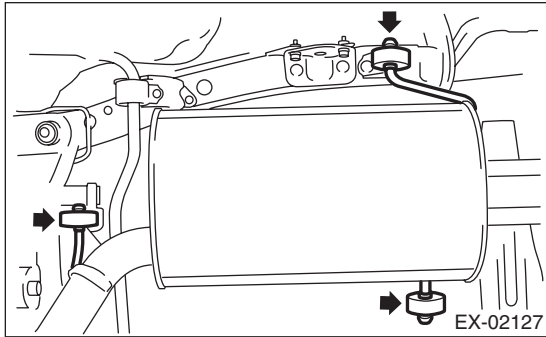
CAUTION:

Be careful not to burn yourself, because the exhaust pipe becomes extremely hot after running.

- 1) Set the vehicle on a lift.
- 2) Lift up the vehicle.
- 3) Separate the muffler from rear exhaust pipe.



- 4) Apply a coat of spray type lubricant to the mating area of cushion rubber.



- 5) Remove the front, RH and LH cushion rubbers, then separate the muffler assembly.

B: INSTALLATION

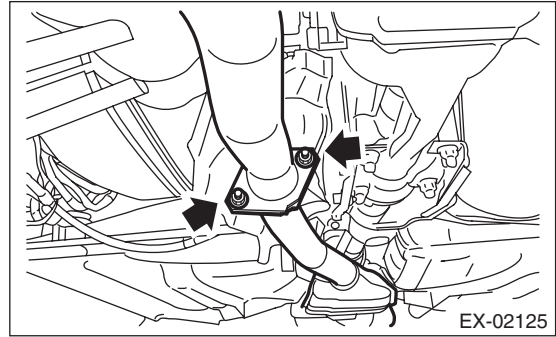
Install in the reverse order of removal.

NOTE:

- Use a new gasket and self-locking nut.
- After assembling, degrease the lubricant which was applied to the cushion rubber while removing/installing.

Tightening torque:

48 N·m (4.9 kgf-m, 35.4 ft-lb)



C: INSPECTION

- 1) Check the connections and welds for exhaust leaks.
- 2) Make sure there are no holes or rusting.
- 3) Check the cushion rubber for wear or crack.

EXHAUST

Muffler

Brought to you by Eris Studios
NOT FOR RESALE