

Brought to you by Eris Studios
NOT FOR RESALE

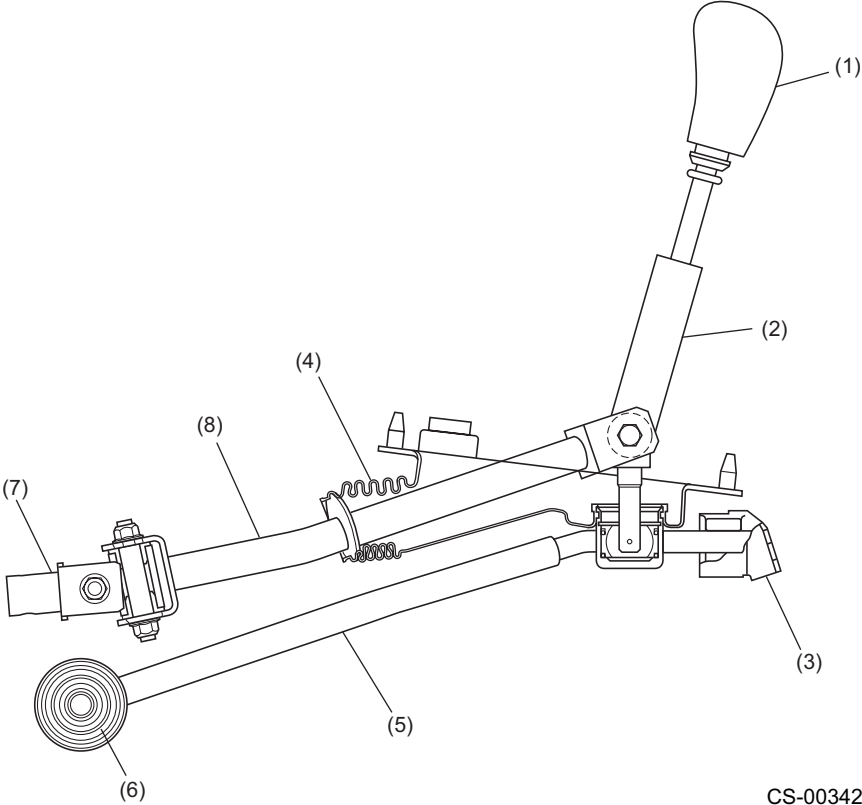
CONTROL SYSTEMS

5MT GEAR SHIFT LEVER

CONTROL SYSTEM

1. 5MT Gear Shift Lever

The manual transmission's gear shift lever system is a parallel link type whose stay is mounted through a cushion rubber.



CS-00342

- (1) Knob
- (2) Lever
- (3) Cushion rubber
- (4) Boot
- (5) Stay
- (6) Bushing B
- (7) Joint
- (8) Rod