

Brought to you by Eris Studios
NOT FOR RESALE

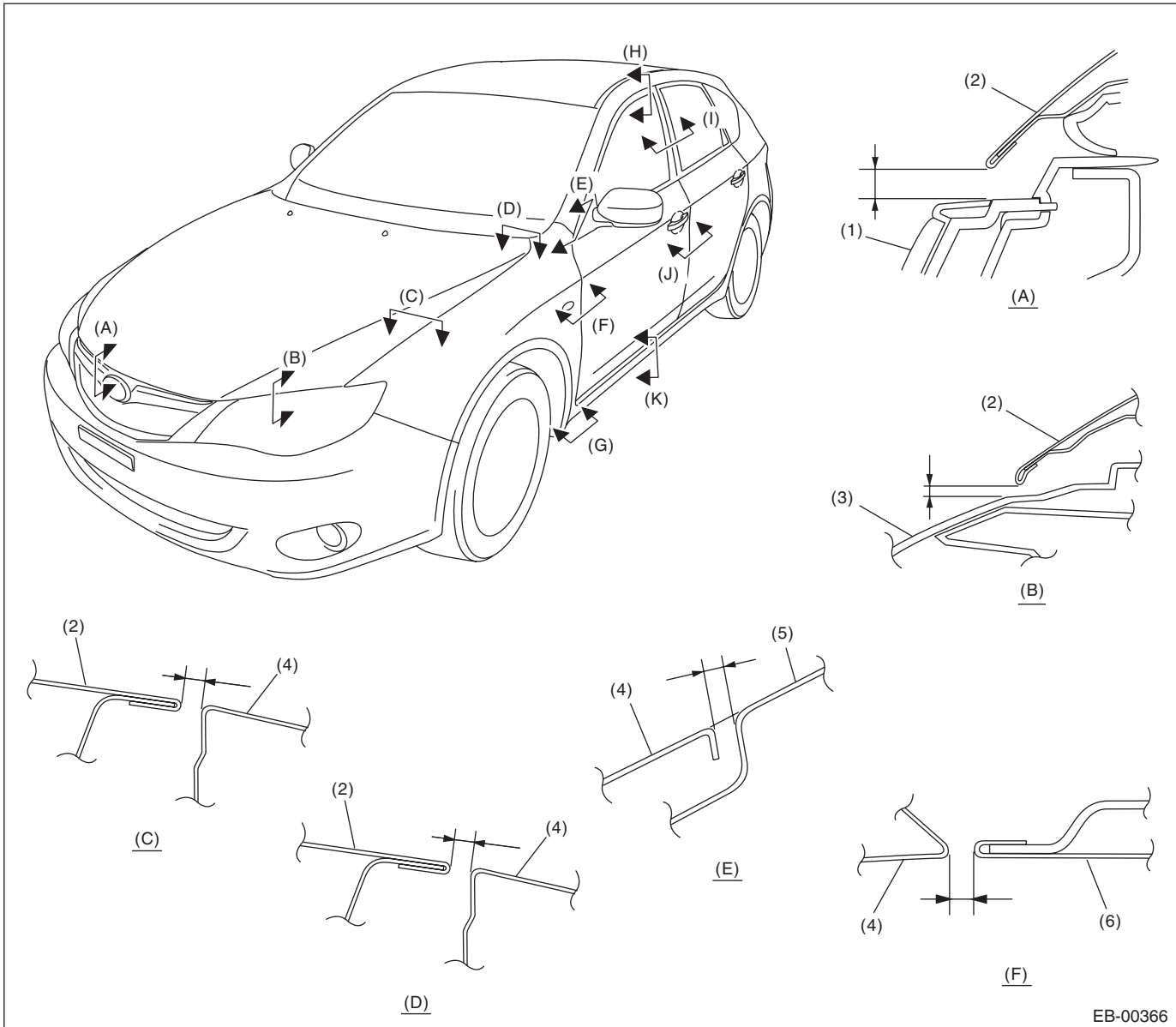
EXTERIOR BODY PANELS

EXTERIOR BODY PANELS

1. General Description

A: SPECIFICATION

1. FRONT

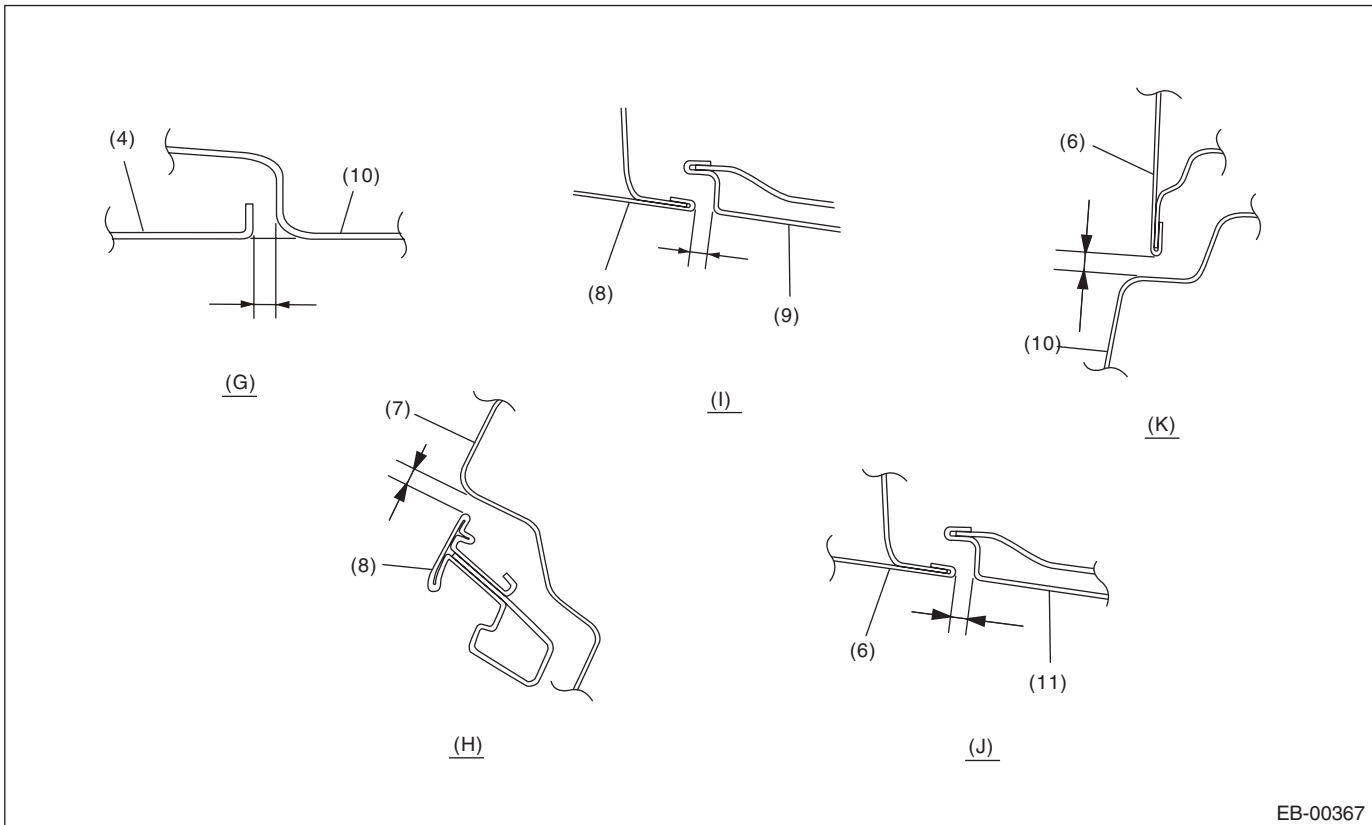


EB-00366

General Description

EXTERIOR BODY PANELS

Brought to you by
NOT FOR SALE
Chris Studios



EB-00367

- | | | |
|------------------------|------------------------|----------------------|
| (1) Front grille | (5) Front pillar panel | (9) Rear door sash |
| (2) Front hood panel | (6) Front door panel | (10) Side sill panel |
| (3) Headlight | (7) Roof panel | (11) Rear door panel |
| (4) Front fender panel | (8) Front door sash | |

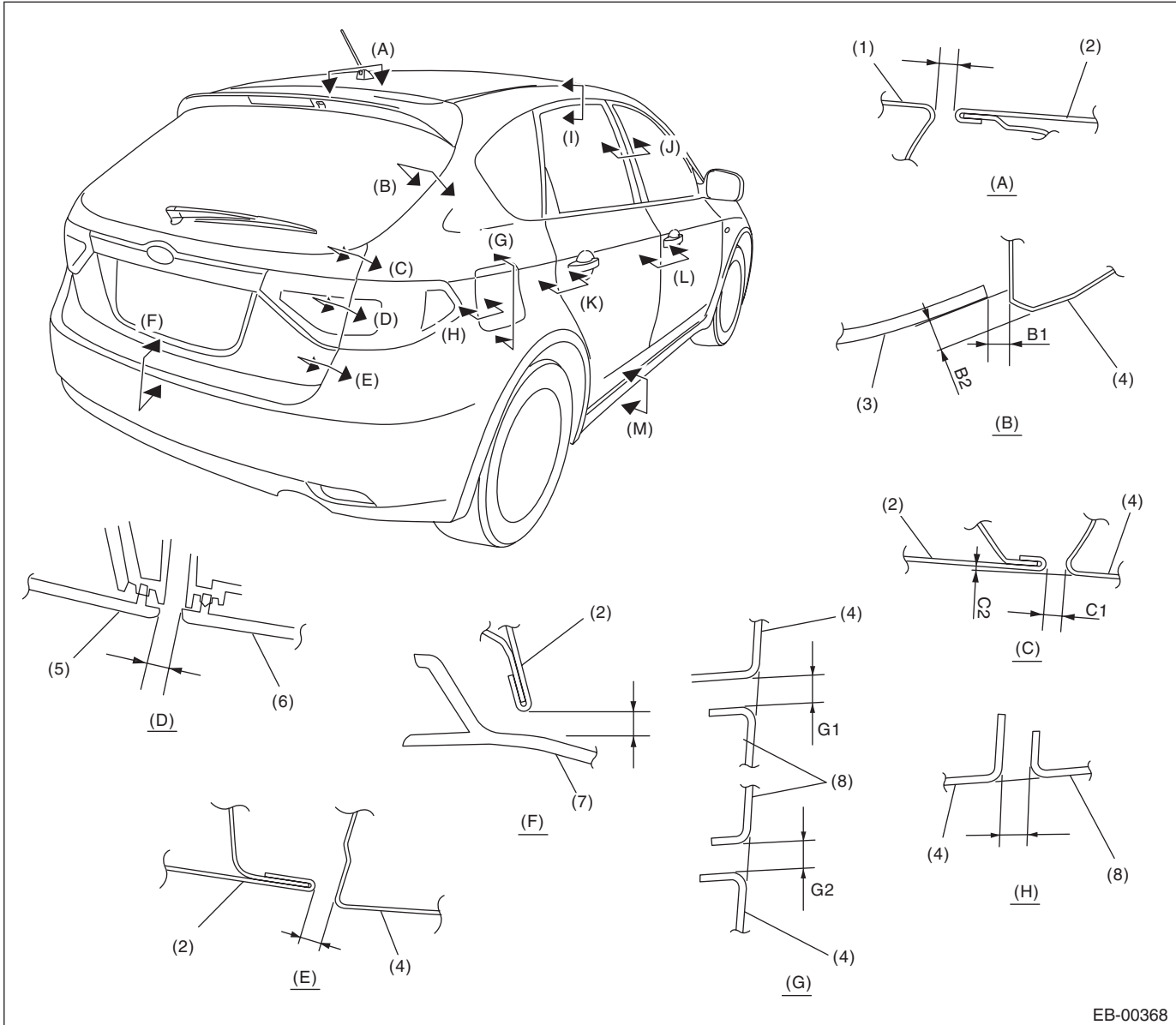
Section	Part	Standard value
(A)	Front hood panel to Front grille	6.0±1.0 mm (0.23±0.04 in)
(B)	Front hood panel to Headlight	6.0±1.0 mm (0.24±0.04 in)
(C)	Front hood panel to Front fender panel	3.5±1.0 mm (0.14±0.04 in)
(D)	Front hood panel to Front fender panel (Rear end only)	4.8 ^{+0.7} _{-1.0} mm (0.14 ^{+0.03} _{-0.04} in)
(E)	Front fender panel to Front pillar panel	3.0±1.0 mm (0.12±0.04 in)
(F)	Front fender panel to Front door panel	4.0±1.0 mm (0.16±0.04 in)
(G)	Front fender panel to Side sill panel	3.0±1.0 mm (0.12±0.04 in)
(H)	Roof panel to Front door sash	5.0±1.0 mm (0.20±0.04 in)
(I)	Front door sash to Rear door sash	5.5±1.0 mm (0.22±0.04 in)
(J)	Front door panel to Rear door panel	4.5±1.0 mm (0.18±0.04 in)
(K)	Front door panel to Side sill panel	6.0±1.0 mm (0.23±0.04 in)

General Description

EXTERIOR BODY PANELS

Brought to you by Eris Studios
NOT FOR RESALE

2. REAR (WAGON MODEL)

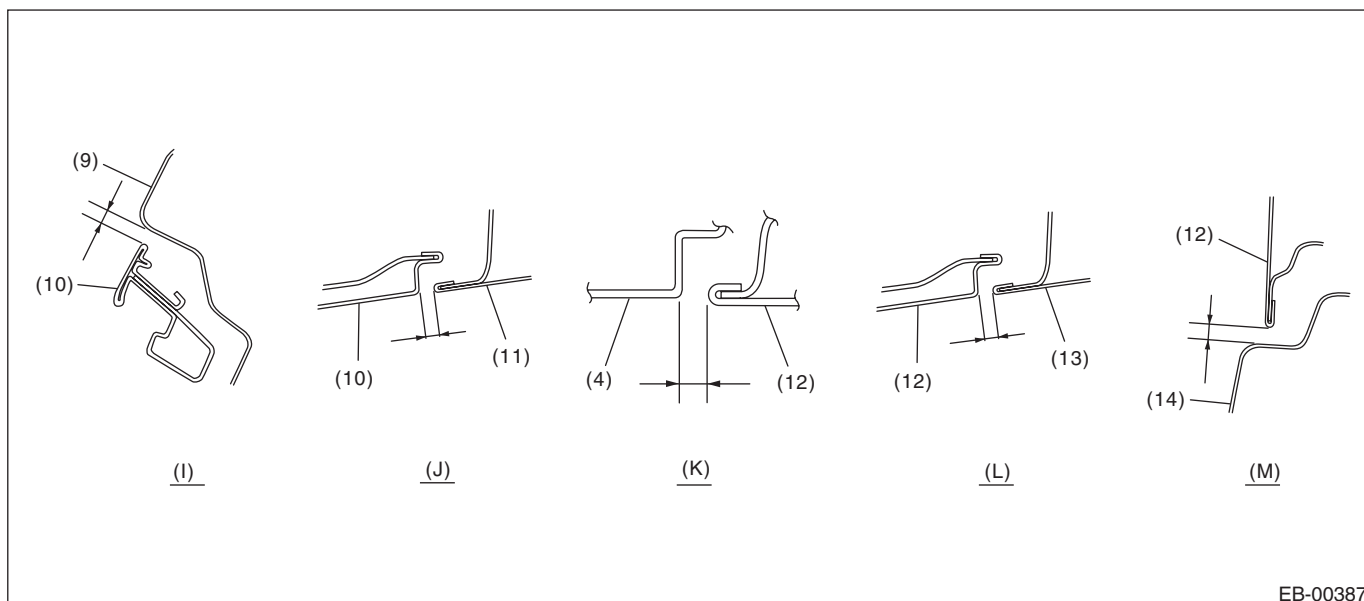


EB-00368

General Description

EXTERIOR BODY PANELS

Brought to you by
NOT FOR SALE
Chris Studios



EB-00387

- | | | |
|-------------------------|----------------------------|-----------------------|
| (1) Roof panel | (6) Rear combination light | (11) Front door sash |
| (2) Rear gate panel | (7) Rear bumper | (12) Rear door panel |
| (3) Rear gate glass | (8) Fuel filler flap lid | (13) Front door panel |
| (4) Rear quarter panel | (9) Roof panel | (14) Side sill panel |
| (5) Rear finisher light | (10) Rear door sash | |

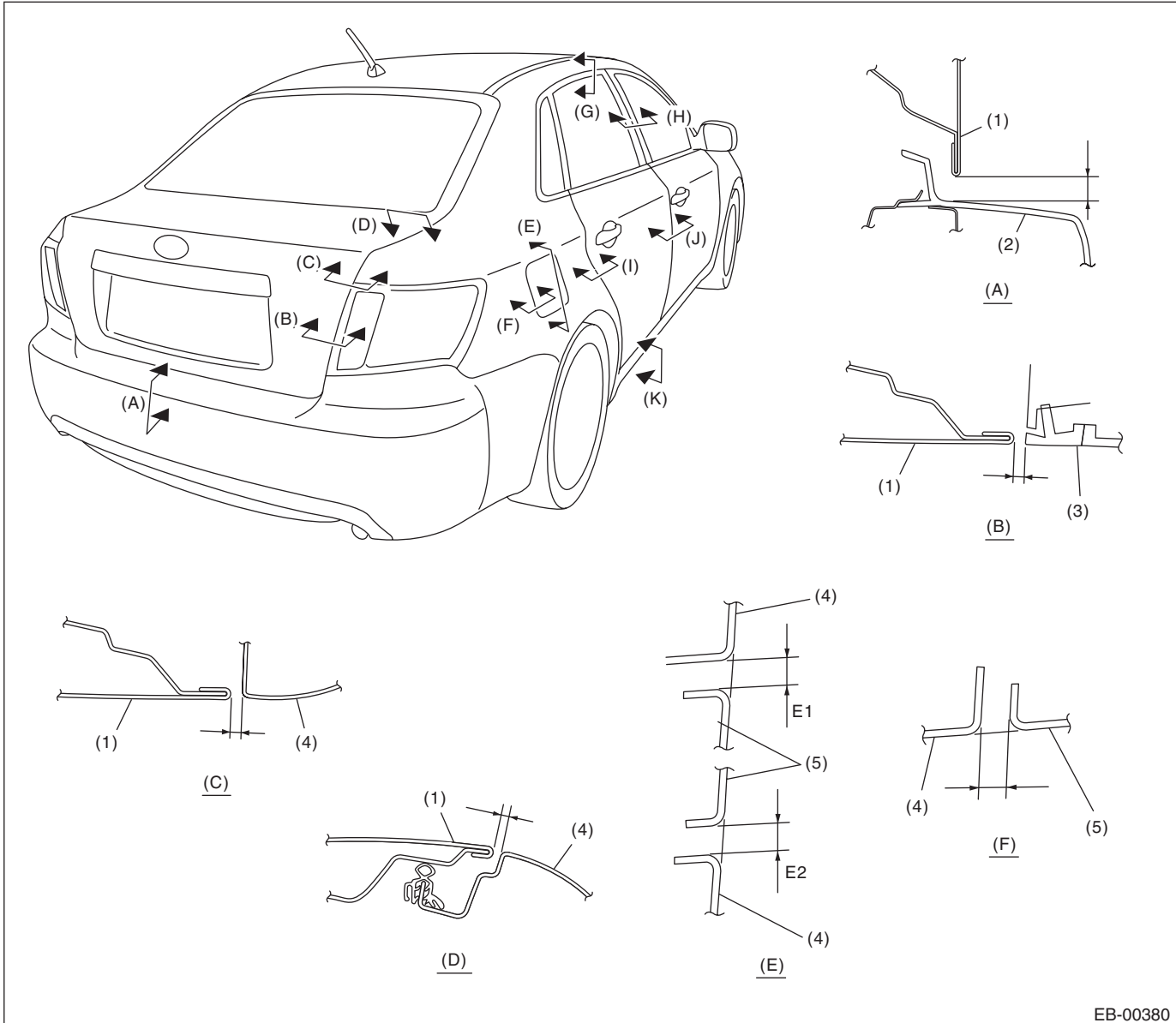
Section	Part	Standard value
(A)	Roof panel to Rear gate panel	$6.0^{+1.0}_{-0.5}$ mm ($0.23^{+0.04}_{-0.02}$ in)
(B)	Rear gate glass to Rear quarter panel	B1: 5.0 ± 1.5 mm (0.20 ± 0.06 in) B2: 6.7 ± 1.5 mm (0.26 ± 0.06 in)
(C)	Rear gate panel to Rear quarter panel	C1: 4.6 ± 1.0 mm (0.18 ± 0.04 in) C2: 0.5 ± 1.0 mm (0.02 ± 0.04 in)
(D)	Rear combination light to Rear finisher light	5.0 ± 1.0 mm (0.20 ± 0.04 in)
(E)	Rear gate panel to Rear bumper	5.0 ± 1.0 mm (0.20 ± 0.04 in)
(F)	Rear gate panel to Rear bumper	8.0 ± 1.0 mm (0.31 ± 0.04 in)
(G)	Rear quarter panel to Fuel filler flap lid	3.5 ± 0.5 mm (0.14 ± 0.02 in)
(H)	Rear quarter panel to Fuel filler flap lid	3.5 ± 0.5 mm (0.14 ± 0.02 in)
(I)	Roof panel to Rear door sash	5.0 ± 1.0 mm (0.20 ± 0.04 in)
(J)	Rear door sash to Front door sash	5.5 ± 1.0 mm (0.22 ± 0.04 in)
(K)	Rear door panel to Rear quarter panel	4.0 ± 1.0 mm (0.16 ± 0.04 in)
(L)	Front door panel to Rear door panel	4.5 ± 1.0 mm (0.18 ± 0.04 in)
(M)	Rear door panel to Side sill panel	6.0 ± 1.0 mm (0.24 ± 0.04 in)

General Description

EXTERIOR BODY PANELS

3. REAR (SEDAN MODEL)

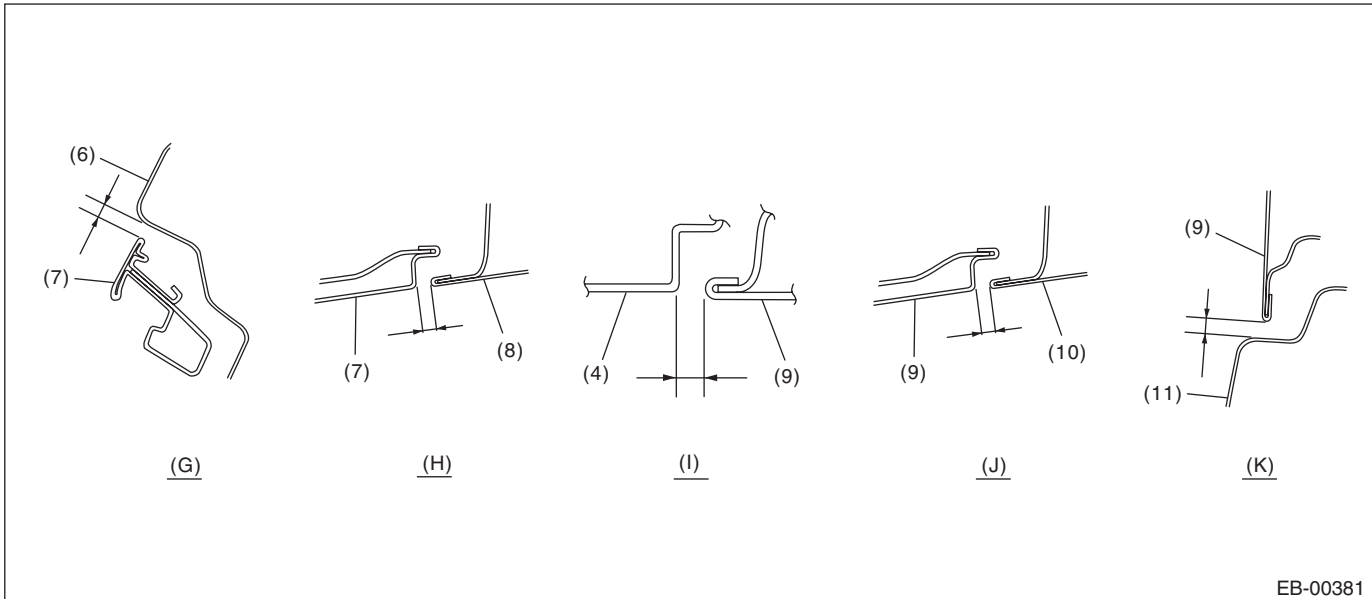
Brought to you by Eris Studios
NOT FOR RESALE



General Description

EXTERIOR BODY PANELS

Brought to you by
 NOT FOR SALE
 Chris Studios



EB-00381

- | | | |
|----------------------------|--------------------------|-----------------------|
| (1) Trunk panel | (5) Fuel filler flap lid | (9) Rear door panel |
| (2) Rear bumper | (6) Roof panel | (10) Front door panel |
| (3) Rear combination light | (7) Rear door sash | (11) Side sill panel |
| (4) Rear quarter panel | (8) Front door sash | |

Section	Part	Standard value
(A)	Trunk panel to Rear bumper face	9.0±1.0 mm (0.35±0.04 in)
(B)	Trunk panel to Rear combination light	3.5±1.0 mm (0.14±0.04 in)
(C)	Trunk panel to Rear quarter panel	3.5±1.0 mm (0.14±0.04 in)
(D)	Trunk panel to Rear quarter panel	3.5±1.0 mm (0.14±0.04 in)
(E)	Rear quarter panel to Fuel filler flap lid	E1: 3.5±0.5 mm (0.14±0.06 in) E2: 4.0±0.5 mm (0.18±0.06 in)
(F)	Rear quarter panel to Fuel filler flap lid	3.5±0.5 mm (0.14±0.02 in)
(G)	Roof panel to Rear door sash	5.0±1.0 mm (0.20±0.04 in)
(H)	Rear door sash to Front door sash	5.5±1.0 mm (0.22±0.04 in)
(I)	Rear door panel to Rear quarter panel	4.0±1.0 mm (0.16±0.04 in)
(J)	Front door panel to Rear door panel	4.5±1.0 mm (0.18±0.04 in)
(K)	Rear door panel to Side sill panel	6.0±1.0 mm (0.24±0.04 in)

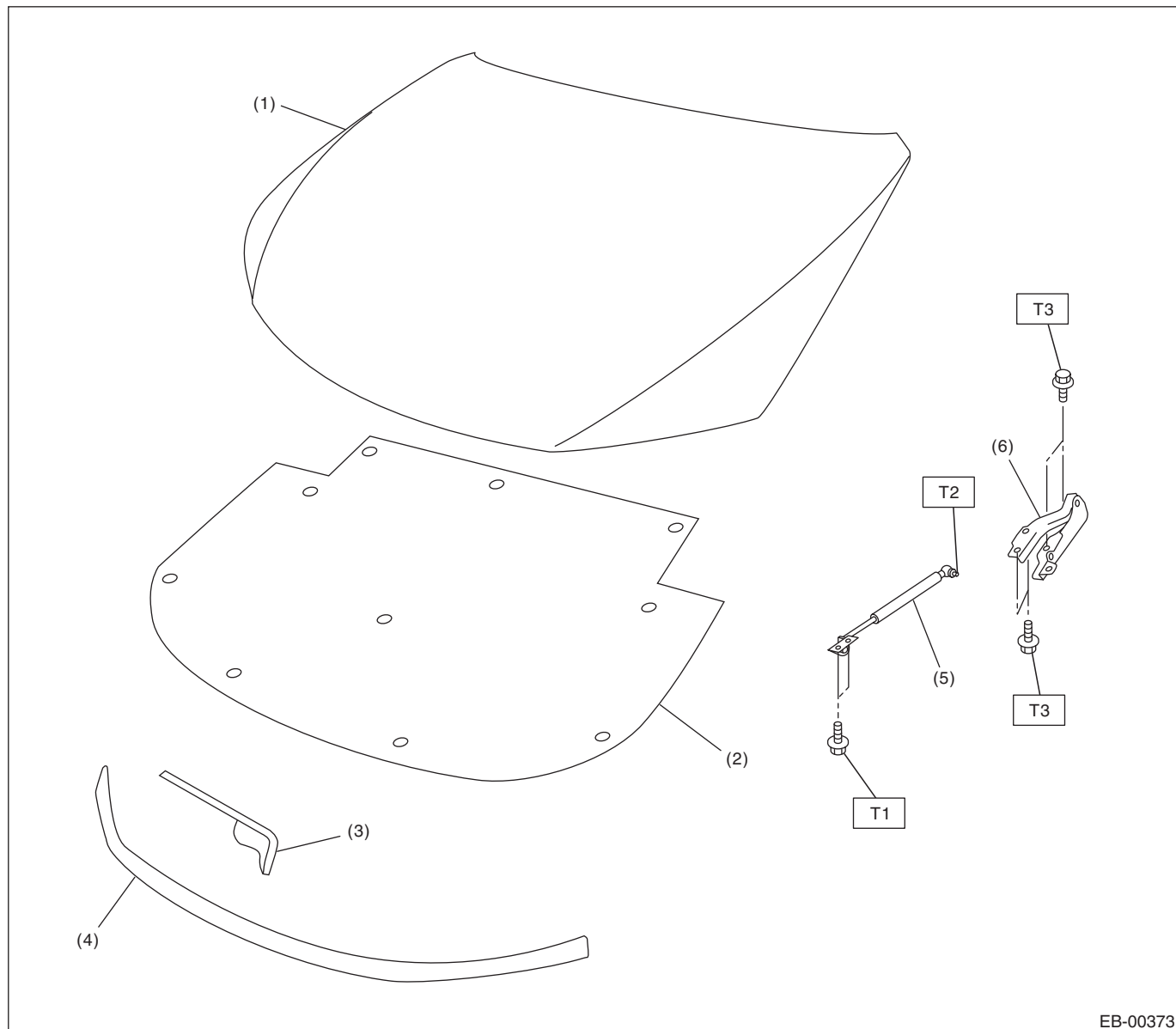
General Description

EXTERIOR BODY PANELS

B: COMPONENT

1. FRONT HOOD

Brought to you by Eris Studios
NOT FOR RESALE



- | | |
|---------------------------------|------------------------|
| (1) Front hood | (4) Seal (front panel) |
| (2) Insulator | (5) Damper stay |
| (3) Weather strip (intake duct) | (6) Hinge |

Tightening torque: N·m (kgf·m, ft·lb)

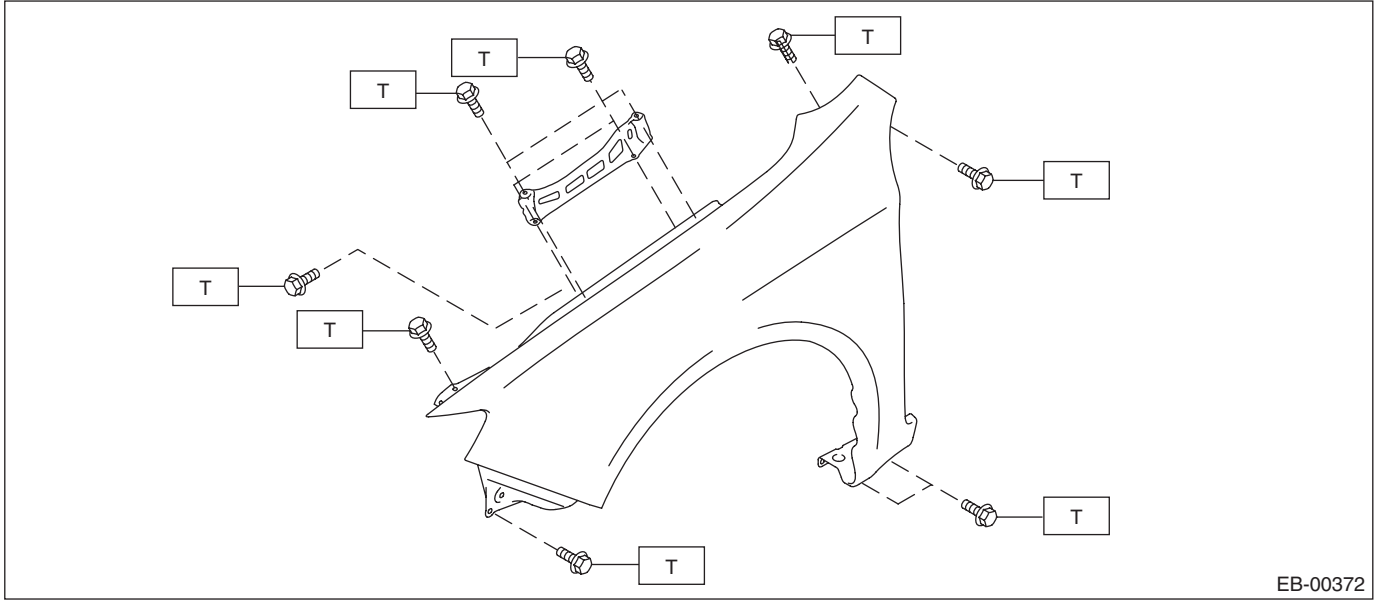
T1: 7.5 (0.76, 5.5)

T2: 20 (2.04, 14.5)

T3: 24.5 (2.5, 18.1)

Brought to you by
Chris Studios
NOT FOR RESALE

2. FRONT FENDER



EB-00372

Tightening torque: N-m (kgf-m, ft-lb)

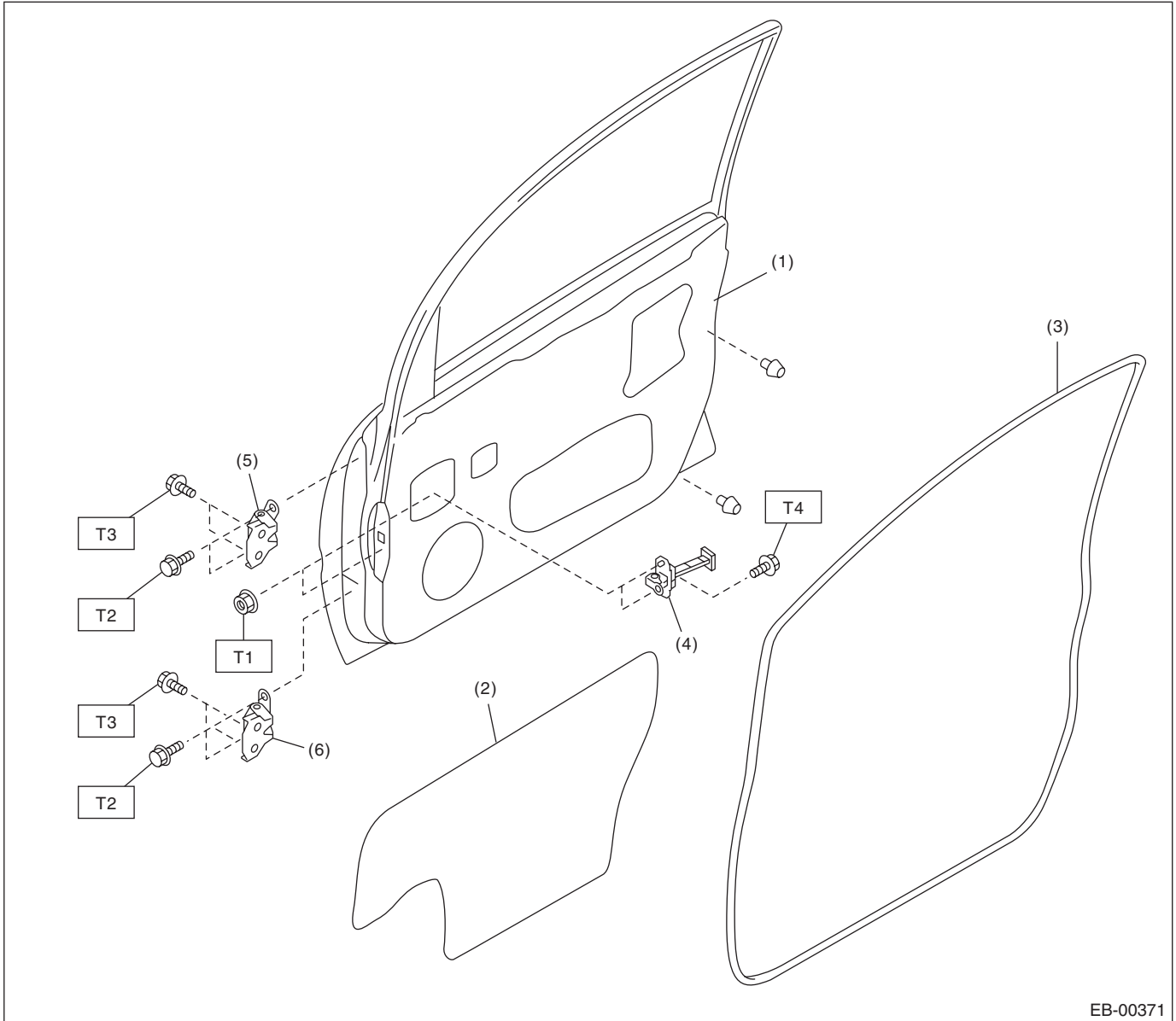
T: 7.4 (0.75, 5.5)

General Description

EXTERIOR BODY PANELS

3. FRONT DOOR

Brought to you by Eris Studios
NOT FOR RESALE



EB-00371

- (1) Front door panel
- (2) Sealing cover
- (3) Front door weather strip

- (4) Checker
- (5) Upper hinge
- (6) Lower hinge

Tightening torque: N·m (kgf·m, ft·lb)

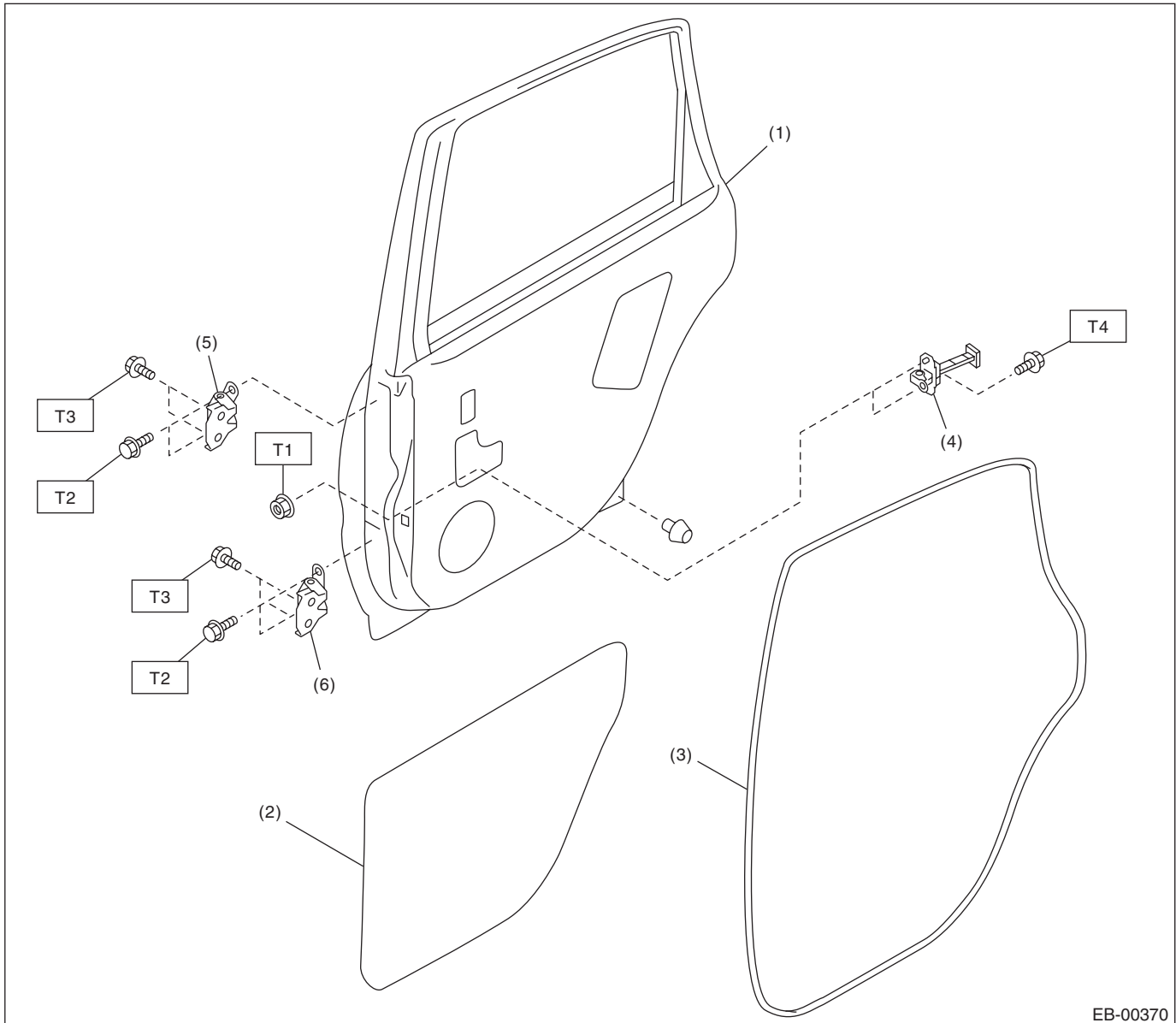
T1: 7.5 (0.76, 5.5)

T2: 25 (2.5, 18.4)

T3: 30 (3.1, 22.1)

T4: 33 (3.4, 24.3)

4. REAR DOOR



- | | |
|-----------------------------|-----------------|
| (1) Rear door panel | (4) Checker |
| (2) Sealing cover | (5) Upper hinge |
| (3) Rear door weather strip | (6) Lower hinge |

Tightening torque: N·m (kgf·m, ft·lb)

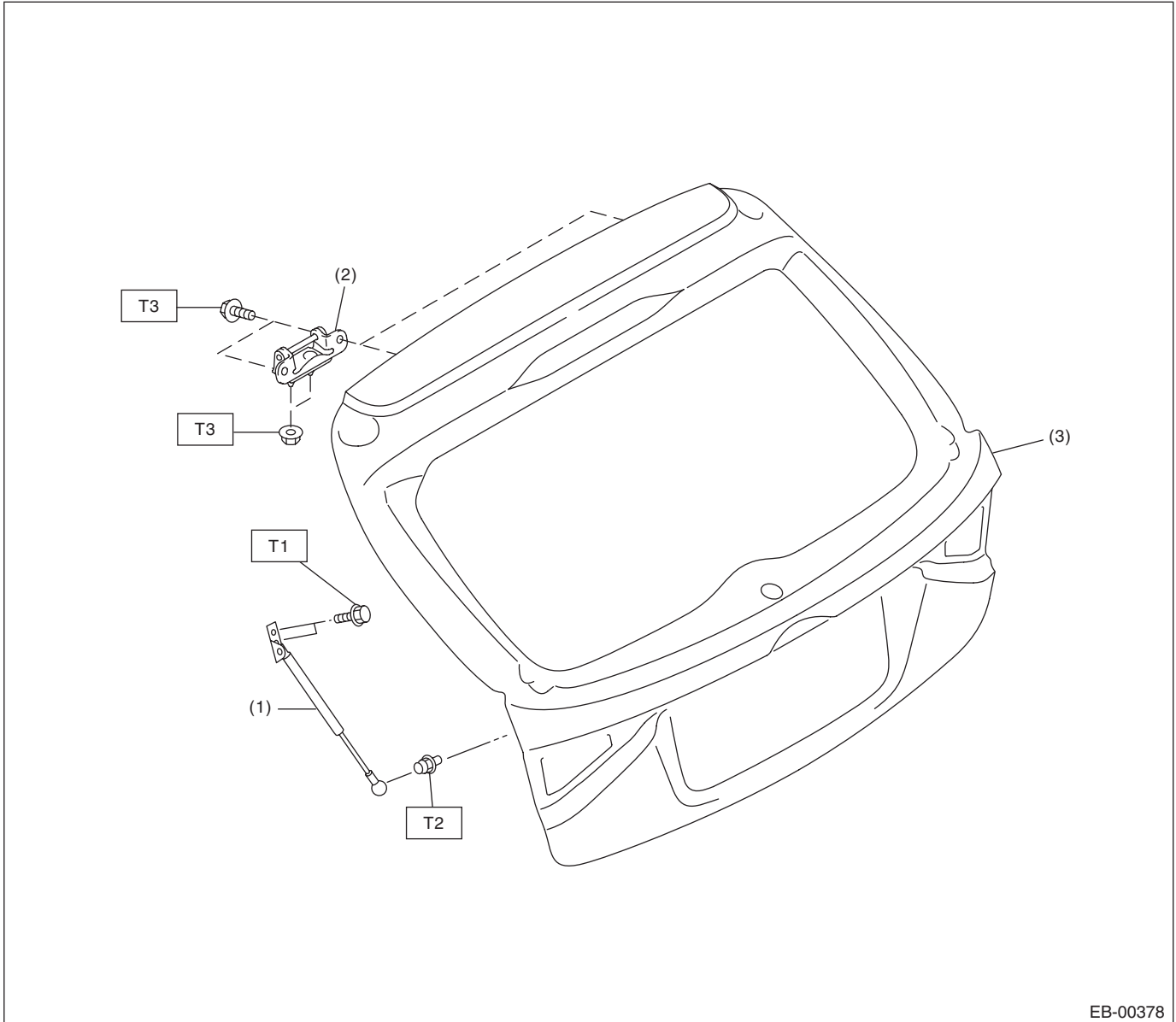
T1: 7.5 (0.76, 5.5)

T2: 25 (2.5, 18.4)

T3: 30 (3.1, 22.1)

T4: 33 (3.4, 24.3)

5. REAR GATE



(1) Rear gate damper stay
(2) Hinge

(3) Rear gate panel

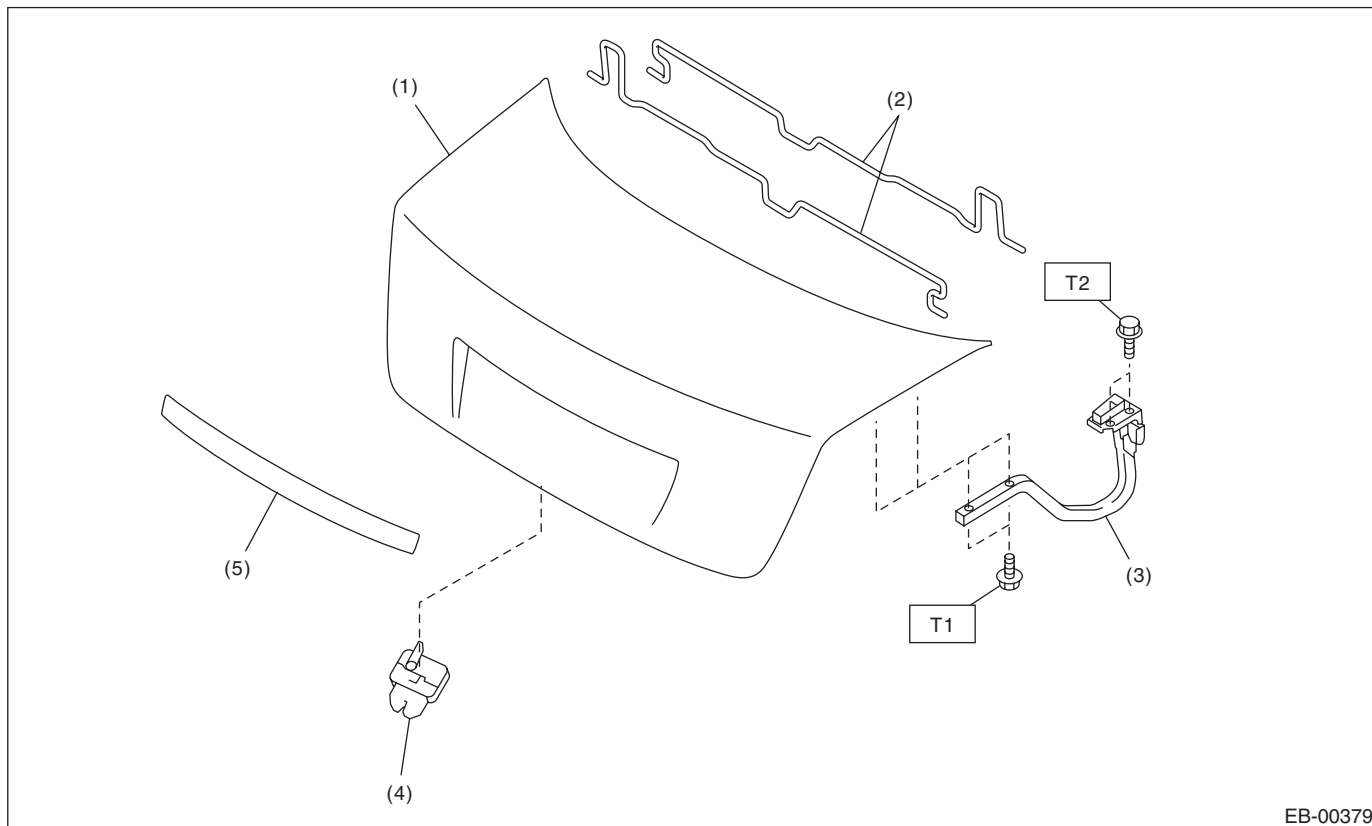
Tightening torque: N·m (kgf·m, ft·lb)

T1: 10 (1.02, 7.4)

T2: 20 (2.04, 14.5)

T3: 25 (2.6, 18.4)

6. TRUNK LID PANEL



- (1) Trunk lid panel
- (2) Torsion bar
- (3) Trunk lid arm ASSY

- (4) Trunk lid lock ASSY
- (5) Trunk lid garnish

Tightening torque: N-m (kgf-m, ft-lb)
T1: 14 (1.43, 10.3)
T2: 18 (1.8, 12.9)

C: CAUTION

- Exterior body panels are heavy. Do not drop and damage the panels. During removal and installation, do not damage the panel painting surface.
- While removing mounting bolts, using assistance devices such as a support jack will help support the panel.
- Be careful not to lose small parts.

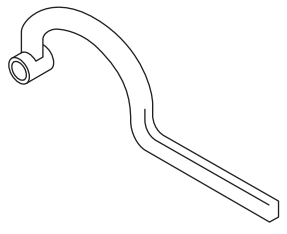
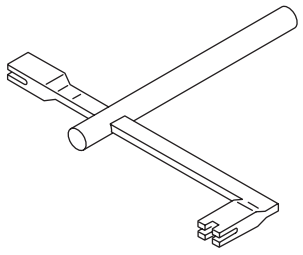
General Description

Brought to you by Eris Studios
NOT FOR RESALE

EXTERIOR BODY PANELS

D: PREPARATION TOOL

1. SPECIAL TOOL

ILLUSTRATION	TOOL NUMBER	DESCRIPTION	REMARKS
 ST-925610000	925610000	WRENCH	Used for removing and installing door hinge.
 ST-927780000	927780000	REMOVER	Used for removing and installing the trunk torsion bar.

2. GENERAL TOOL

TOOL NAME	REMARKS
Support jack	Used for supporting door panel.
Clip remover	Used for removing various types of clips

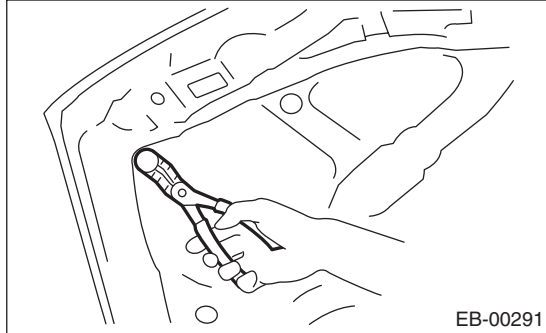
Brought to you by Chris Studios
NOT FOR RESALE

2. Front Hood

A: REMOVAL

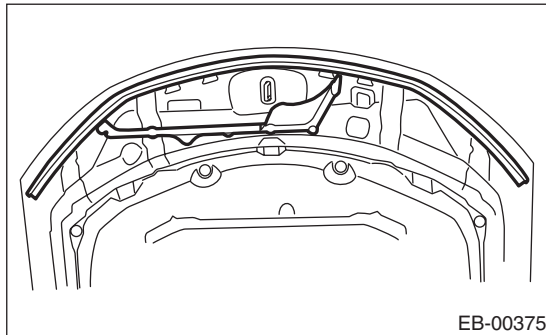
1. FRONT HOOD INSULATOR

Release the clips to remove the front hood insulator.



2. FRONT HOOD WEATHER STRIP

Remove the weather strip.

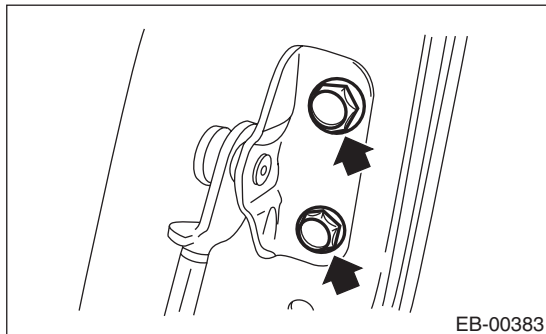


3. FRONT HOOD DAMPER

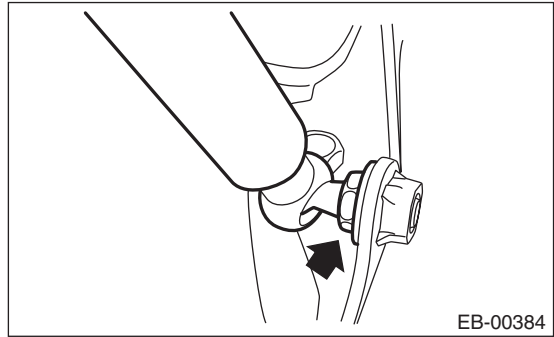
CAUTION:

The front hood panel is heavy. When removing or installing the damper stay and hood hinge, be sure to work in a group of two or more.

1) Remove the mounting bolts, and remove the damper stay.



2) Remove the mounting bolt of front hood damper stay.

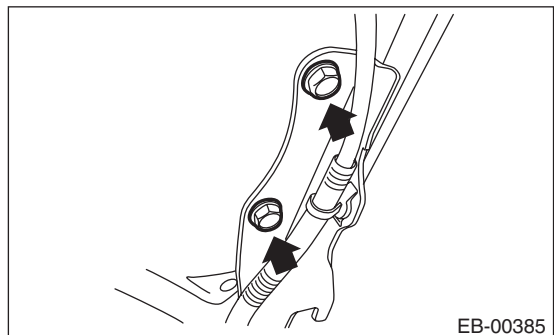


4. FRONT HOOD HINGE

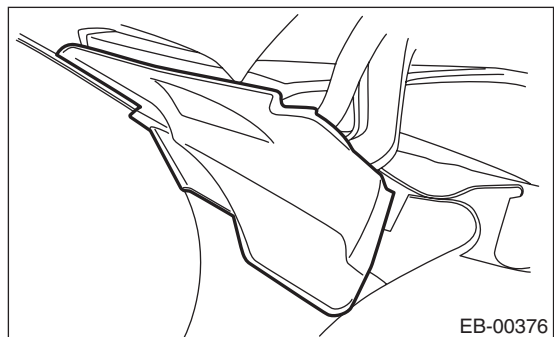
CAUTION:

The front hood panel is heavy. When removing or installing the damper stay and hood hinge, be sure to work in a group of two or more.

1) Remove the front hood damper.
2) Remove the bolts, and remove the front hood panel.

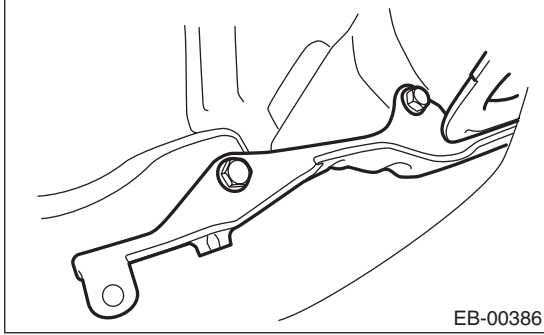


3) Remove the clip, and remove the cowl side panel front.



EXTERIOR BODY PANELS

4) Remove the bolts of front hood hinge.

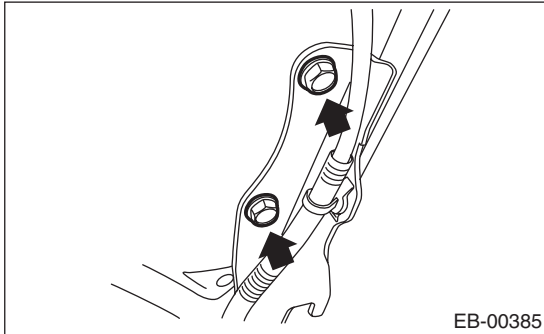


5. FRONT HOOD PANEL

CAUTION:

The front hood panel is heavy. When removing or installing the damper stay and hood hinge, be sure to work in a group of two or more.

- 1) Remove the front hood insulator.
- 2) Remove the front hood weather strip.
- 3) Remove the window washer hose and nozzle. <Ref. to WW-16, REMOVAL, Front Washer Nozzle.>
- 4) Remove the front hood damper.
- 5) Remove the bolt, and remove the front hood panel from the front hood hinge.



B: INSTALLATION

Install in the reverse order of removal.

NOTE:

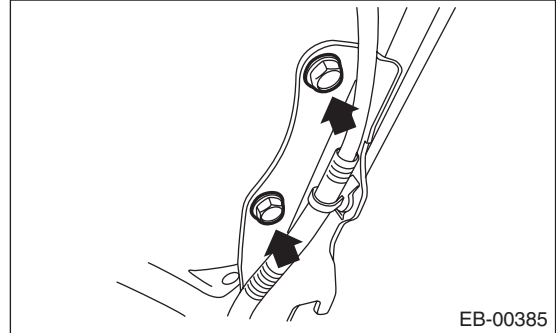
- Be careful not to catch the window washer hose between insulators etc.
- Install while paying attention to make a uniform clearance around the front hood panel. For the dimension of clearance, refer to "SPECIFICATION" in "General Description". <Ref. to EB-2, SPECIFICATION, General Description.>

Tightening torque:

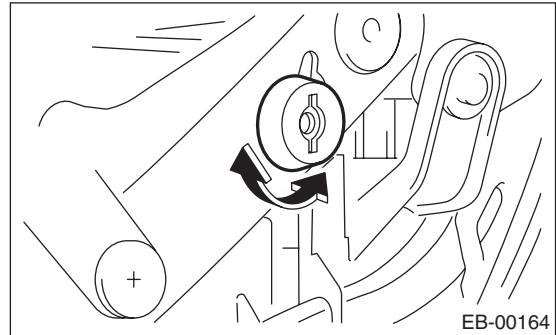
Refer to "COMPONENT" of "General Description". <Ref. to EB-8, FRONT HOOD, COMPONENT, General Description.>

C: ADJUSTMENT

- 1) Adjust the clearance between front hood panel and front fender panel. Clearance must be equal at both sides. For the dimension of clearance, refer to "SPECIFICATION" in "General Description". <Ref. to EB-2, SPECIFICATION, General Description.>
- 2) Use the hinge mounting bolts to align the front hood longitudinal and lateral position.



- 3) Adjust the height at the front end of hood. <Ref. to SL-44, ADJUSTMENT, Front Hood Lock Assembly.>
- 4) Rotate the hood buffer to adjust lateral height.



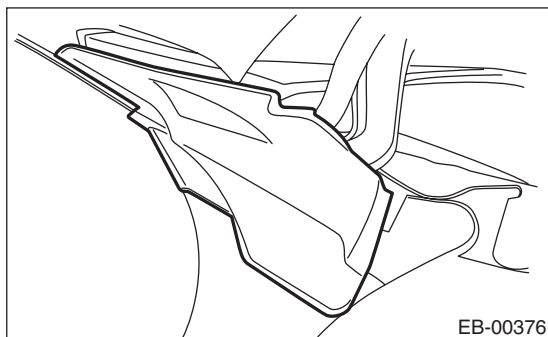
D: DISPOSAL

For the disposal procedures of front hood damper stay, refer to the disposal procedures of rear gate damper stay. <Ref. to EB-26, REAR GATE DAMPER STAY, DISPOSAL, Rear Gate.>

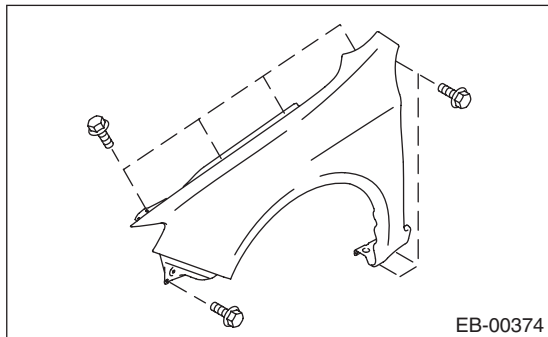
3. Front Fender

A: REMOVAL

- 1) Disconnect the ground cable from the battery.
- 2) Remove the side sill spoilers. <Ref. to EI-40, REMOVAL, Side Sill Spoiler.>
- 3) Remove the front bumper. <Ref. to EI-29, REMOVAL, Front Bumper.>
- 4) Remove the headlight assembly. <Ref. to LI-12, REMOVAL, Headlight Assembly.>
- 5) Remove the mud guard. <Ref. to EI-28, REMOVAL, Mud Guard.>
- 6) Remove the cowl panel side.



- 7) Remove the bolt, and remove the front fender panel.



B: INSTALLATION

- 1) Install in the reverse order of removal.

Tightening torque:

7.4 N·m (0.75 kgf-m, 5.5 ft-lb)

- 2) Install while paying attention to make a uniform clearance around the front fender panel. For the dimension of clearance, refer to "SPECIFICATION" in "General Description". <Ref. to EB-2, SPECIFICATION, General Description.>

CAUTION:

After attaching the front fender panel, always perform headlight beam level adjustment.

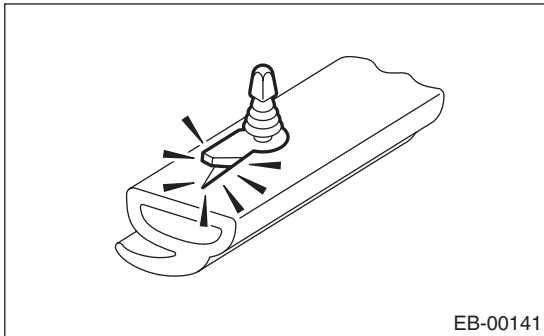
4. Front Door

A: REMOVAL

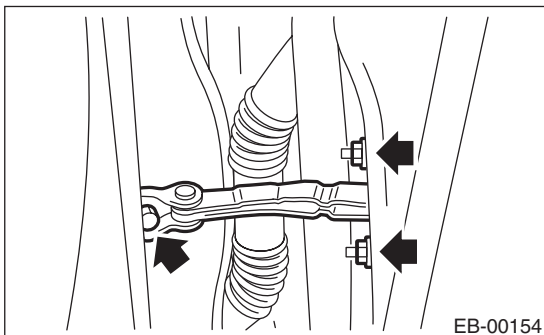
- 1) Disconnect the ground cable from the battery.
- 2) Remove the front door trim. <Ref. to EI-43, REMOVAL, Door Trim.>
- 3) Remove the outer mirror assembly. <Ref. to GW-15, REMOVAL, Outer Mirror Assembly.>
- 4) Remove the front door speaker. <Ref. to ET-7, REMOVAL, Front Speaker.>
- 5) Remove the sealing cover. <Ref. to EB-20, REMOVAL, Front Sealing Cover.>
- 6) Remove the front door glass. <Ref. to GW-11, REMOVAL, Front Door Glass.>
- 7) Remove the door sash, and remove the front door regulator and motor. <Ref. to GW-12, REMOVAL, Front Regulator and Motor Assembly.>
- 8) Remove the front door latch assembly. <Ref. to SL-37, REMOVAL, Front Door Latch and Door Lock Actuator Assembly.>
- 9) Remove the front outer handle. <Ref. to SL-36, REMOVAL, Front Outer Handle.>
- 10) Remove the front door weather strip.

NOTE:

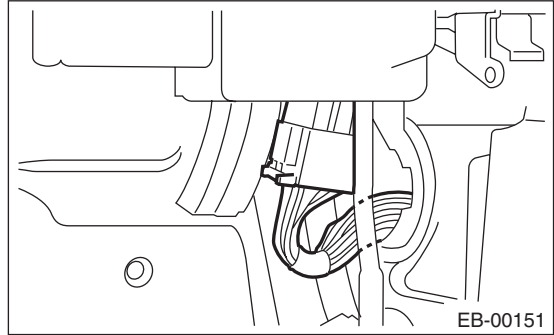
If the weather strip clip is removed with excessive force, the weather strip may be damaged. Be sure to use clip remover to remove.



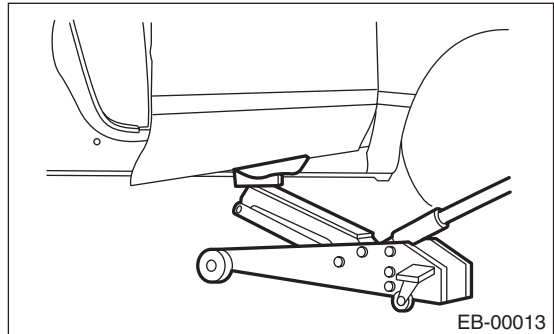
- 11) Remove the bolts and nuts to remove the door checker.



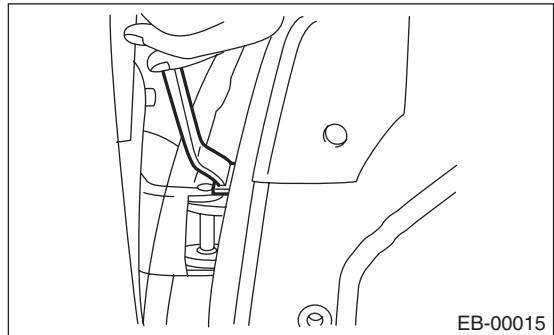
- 12) Remove the front pillar lower trim. <Ref. to EI-53, REMOVAL, Lower Inner Trim.>
- 13) Disconnect the connector of door harness from body harness.



- 14) Put a wooden block on jack and place jack under the front door. Support the door with a jack to protect it from damage.



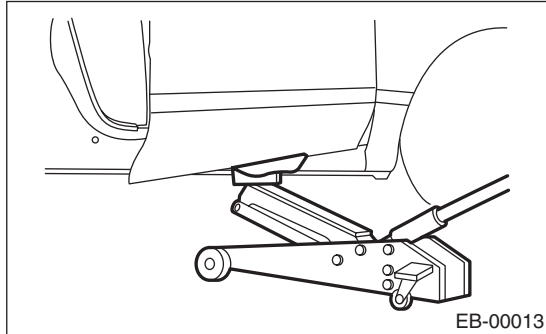
- 15) Remove the door-side bolts for upper and lower hinges, then remove front door panel.



- 16) Remove the door hinge from vehicle.

B: INSTALLATION

1) Put a wooden block on jack and place the front door on that.



- 2) Apply grease to the sliding area of door hinges, and install the door hinge to vehicle.
- 3) Install the front door to upper hinge and lower hinge adjusting by jack.
- 4) Tighten bolt of door checker.
- 5) Connect door harness connector, and install the instrument panel lower cover.
- 6) Install the front pillar lower trim.

Tightening torque:

Refer to "COMPONENT" of "General Description".

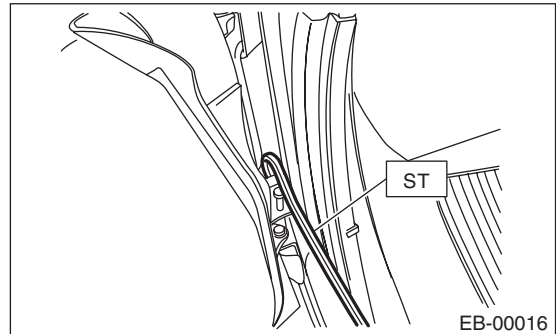
<Ref. to EB-11, REAR DOOR, COMPONENT, General Description.>

7) Install while paying attention to make a uniform clearance around the front door panel. For the dimension of clearance, refer to "SPECIFICATION" in "General Description". <Ref. to EB-2, SPECIFICATION, General Description.>

C: ADJUSTMENT

1) Using the ST, loosen the body-side bolts of upper and lower hinges to align the vertical and horizontal positions of the front door panel.

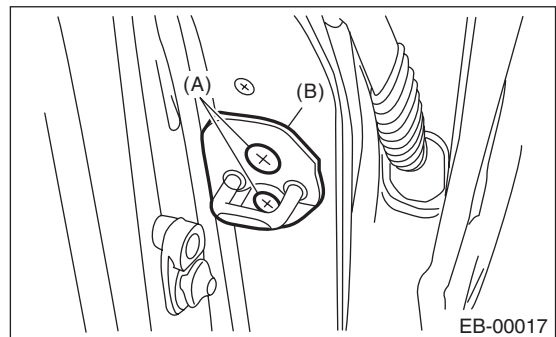
ST 925610000 WRENCH



2) Loosen the screw (A) and tap striker (B) using plastic hammer to adjust the gap between rear end surface of front door panel and front end surface of rear door.

CAUTION:

Do not use an impact wrench. Welding area on the striker nut plate is easily broken.



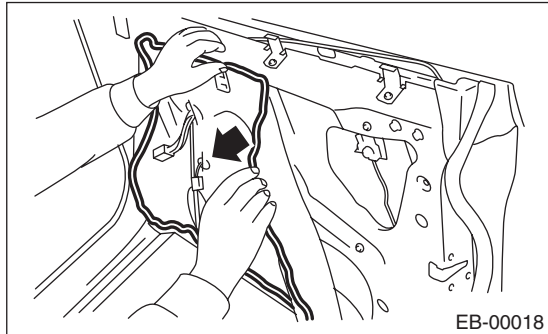
5. Front Sealing Cover

A: REMOVAL

- 1) Disconnect the ground cable from the battery.
- 2) Remove the front door trim. <Ref. to EI-43, REMOVAL, Door Trim.>
- 3) Remove the sealing cover.

NOTE:

- Carefully remove the butyl tape. Excessive force will easily break the cover.
- If cover gets broken, replace it with a new part.



B: INSTALLATION

- 1) Install in the reverse order of removal.
- 2) When replacing the sealing cover, use the butyl tape.
- 3) Press the butyl tape-applied area firmly to prevent any floating on surface.

Butyl tape:

3M8626 or the equivalent

NOTE:

- Apply a uniform bead of butyl tape.
- Attach the sealing cover, keeping it from becoming wrinkled.
- Breaks in the bead will allow water leakage and contamination.

C: INSPECTION

If the sealing cover gets damaged, replace it with a new part.

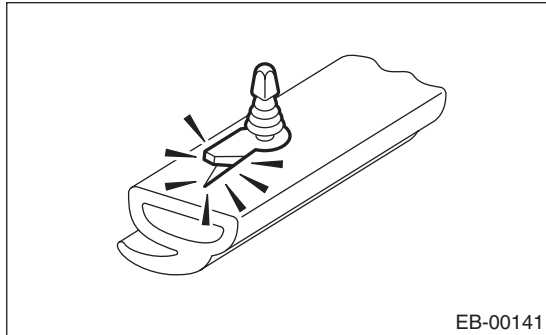
6. Rear Door

A: REMOVAL

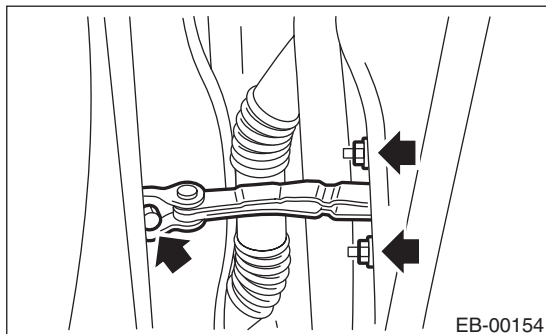
- 1) Disconnect the ground cable from the battery.
- 2) Remove the rear door trim. <Ref. to EI-43, REMOVAL, Door Trim.>
- 3) Remove the rear speaker. <Ref. to ET-9, REMOVAL, Rear Speaker.>
- 4) Remove the sealing cover. <Ref. to EB-23, REMOVAL, Rear Sealing Cover.>
- 5) Remove the rear door glass. <Ref. to GW-18, REMOVAL, Rear Door Glass.>
- 6) Remove the door sash and rear door regulator and motor assembly. <Ref. to GW-19, REMOVAL, Rear Regulator and Motor Assembly.>
- 7) Remove the rear door latch. <Ref. to SL-40, REMOVAL, Rear Door Latch and Door Lock Actuator Assembly.>
- 8) Remove the rear outer handle. <Ref. to SL-39, REMOVAL, Rear Outer Handle.>
- 9) Remove the rear door inner weather strip.

NOTE:

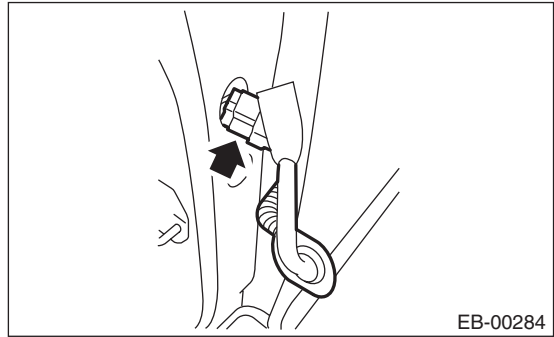
If the weather strip clip is removed with excessive force, the weather strip may be damaged. Be sure to use clip remover to remove.



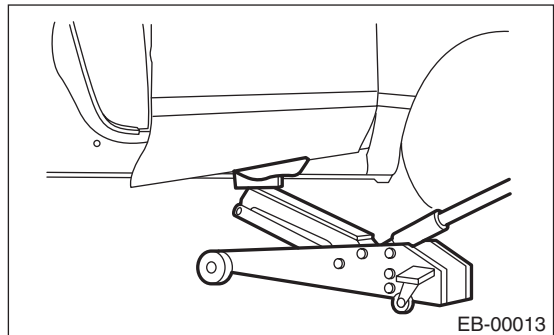
- 10) Remove the bolts and nuts to remove the door checker.



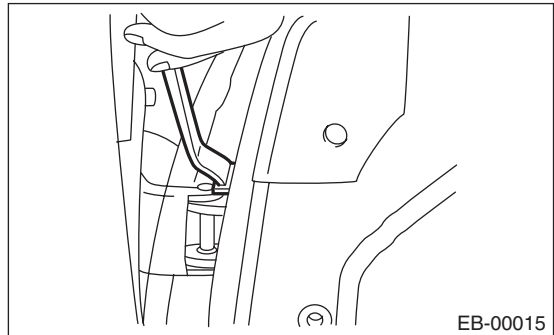
- 11) Pull the door harness connector inside the center pillar, then disconnect the connector.



- 12) Put a wooden block on jack and place jack under the rear door. Support the rear door with a jack to protect it from damage.



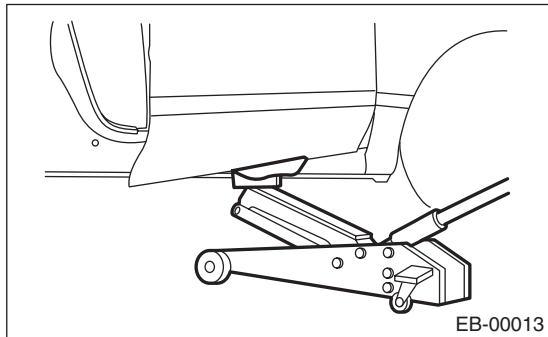
- 13) Remove the door-side bolts for upper and lower hinges, then remove the rear door panel.



- 14) Remove the door hinge from vehicle.

B: INSTALLATION

- 1) Put a wooden block on jack and place the rear door on that.



- 2) Apply grease to the moving part of door hinges.
- 3) Install the rear door to upper hinge and lower hinge adjusting by jack.
- 4) Tighten bolt of door checker.
- 5) Connect the door harness connector.

Tightening torque:

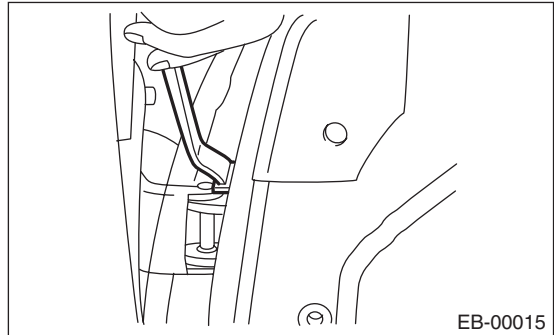
Refer to “**COMPONENT**” of “**General Description**”.

<Ref. to EB-11, REAR DOOR, COMPONENT, General Description.>

- 6) Install while paying attention to make a uniform clearance around the rear door panel. For the dimension of clearance, refer to “**SPECIFICATION**” in “**General Description**”. <Ref. to EB-2, SPECIFICATION, General Description.>

C: ADJUSTMENT

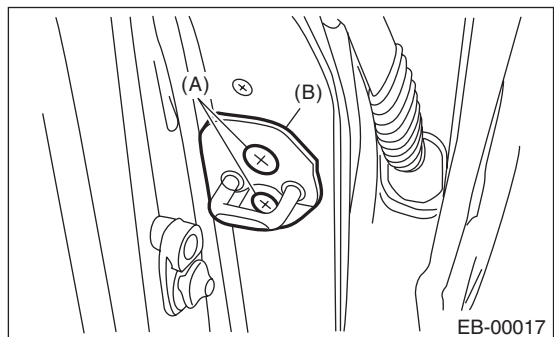
- 1) Open the rear door, loosen the door-side bolts of upper and lower hinges to align the position for vertical and horizontal direction of rear door panel.



- 2) Loosen the screw (A) and tap striker (B) using plastic hammer to adjust the gap between rear end surface of rear door panel and body surface.

CAUTION:

Do not use an impact wrench. Welding area on the striker nut plate is easily broken.



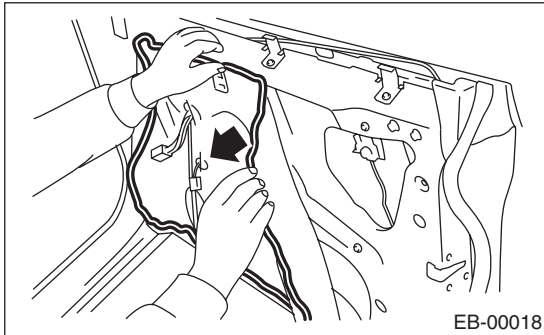
7. Rear Sealing Cover

A: REMOVAL

- 1) Disconnect the ground cable from the battery.
- 2) Remove the rear door trim. <Ref. to EI-43, REMOVAL, Door Trim.>
- 3) Remove the rear speaker. <Ref. to ET-9, REMOVAL, Rear Speaker.>
- 4) Remove the sealing cover.

NOTE:

- Carefully remove the butyl tape. Excessive force will easily break the cover.
- If cover gets broken, replace it with a new part.



B: INSTALLATION

- 1) Install in the reverse order of removal.
- 2) When replacing the sealing cover, use the butyl tape.
- 3) Press the butyl tape-applied area firmly to prevent any floating on surface.

Butyl tape:

3M8626 or the equivalent

NOTE:

- Apply a uniform bead of butyl tape.
- Attach the sealing cover, keeping it from becoming wrinkled.
- If the butyl tape is applied unevenly, it will cause water leakage and soiling.

C: INSPECTION

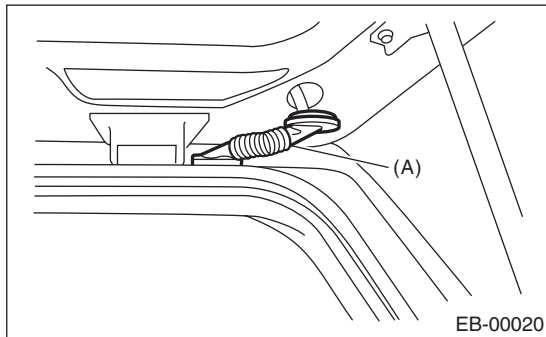
If the sealing cover gets damaged, replace it with a new part.

8. Rear Gate

A: REMOVAL

1. REAR GATE PANEL

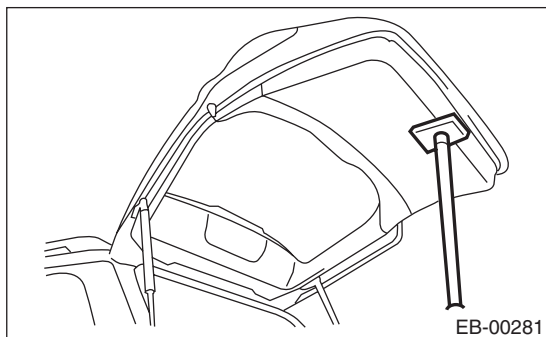
- 1) Disconnect the ground cable from the battery.
- 2) Remove the rear gate trim. <Ref. to EI-62, REMOVAL, Rear Gate Trim.>
- 3) Remove the rear finisher light assembly. <Ref. to LI-25, REMOVAL, Rear Finisher Light Assembly.>
- 4) Remove the rear gate garnish. <Ref. to EI-65, REMOVAL, Rear Gate Garnish.>
- 5) Remove the rear wiper arm. <Ref. to WW-17, REMOVAL, Rear Wiper Arm.>
- 6) Remove the rear wiper motor. <Ref. to WW-18, REMOVAL, Rear Wiper Motor.>
- 7) Remove the rear gate latch assembly. <Ref. to SL-42, REMOVAL, Rear Gate Latch Assembly.>
- 8) Remove the roof spoiler. <Ref. to EI-38, REMOVAL, Roof Spoiler.>
- 9) Remove the rubber duct (A) connection.



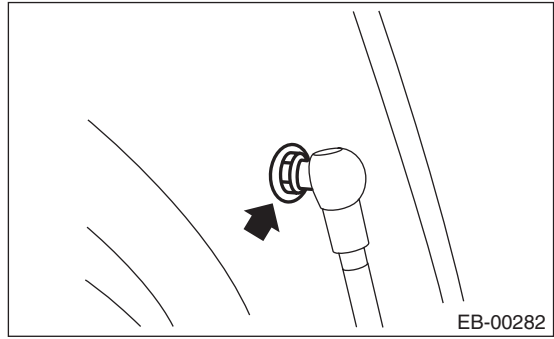
- 10) Pull out the harness and washer hose from the rear gate.
- 11) Remove harness clip of each connector from the rear gate panel.
- 12) Before removing the rear gate damper stay, prevent the rear gate from closing using prop or the like.

CAUTION:

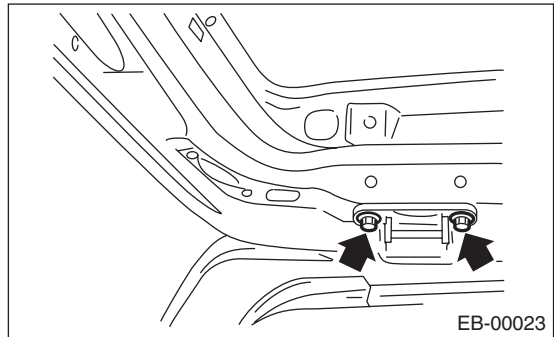
If the prop comes off, operators may get injured and vehicle may get damaged. Make sure to support the rear gate with secure material to prevent injury or damage.



- 13) Remove the mounting bolt of rear gate damper stay.



- 14) Remove the rear gate hinge bolt, and remove the rear gate panel.



- 15) Remove the rear gate hinge from the vehicle.

2. REAR GATE DAMPER STAY

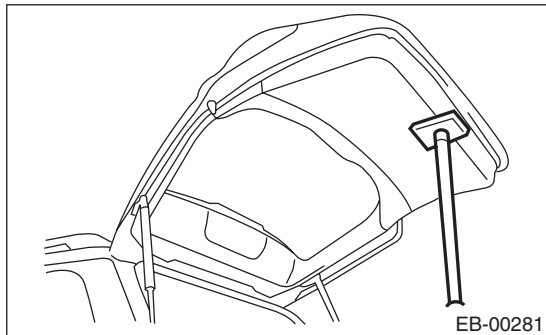
CAUTION:

- Do not damage piston rods and oil seals.
- Never disassemble cylinders: They contain gas.

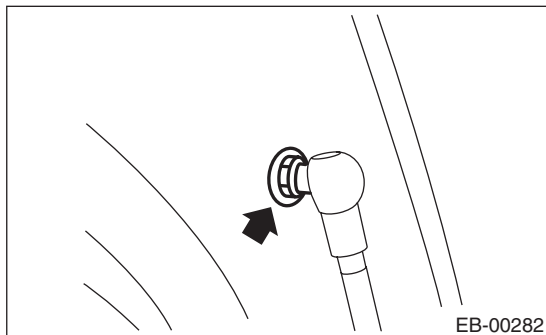
1) Before removing the rear gate damper stay, prevent the rear gate from closing using prop or the like.

CAUTION:

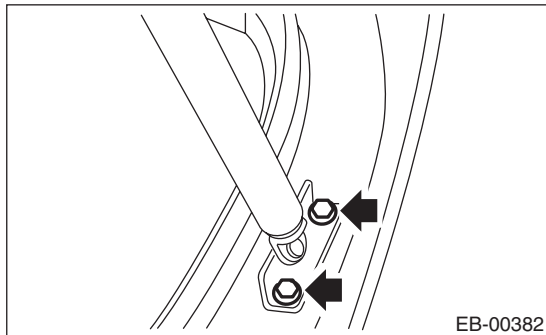
If the prop comes off, operators may get injured and vehicle may get damaged. Make sure to support the rear gate with secure material to prevent injury or damage.



2) Remove the mounting bolt of rear gate damper stay.



3) Remove the mounting bolts, and remove the damper stay.



B: INSTALLATION

1. REAR GATE PANEL

1) Install in the reverse order of removal.

Tightening torque:

25 N·m (2.6 kgf-m, 18.4 ft-lb)

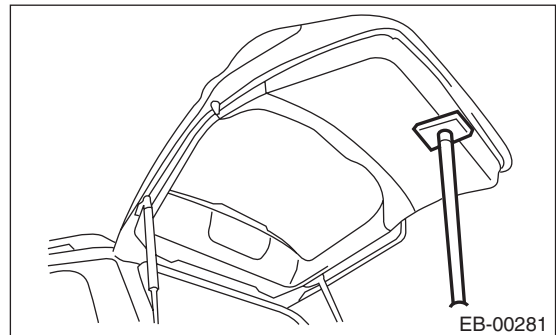
2) Install while paying attention to make a uniform clearance around the rear gate panel. For the dimension of clearance, refer to "SPECIFICATION" in "General Description". <Ref. to EB-2, SPECIFICATION, General Description.>

2. REAR GATE DAMPER STAY

1) Prevent the rear gate from closing using prop or the like.

CAUTION:

If the prop comes off, operators may get injured and vehicle may get damaged. Make sure to support the rear gate with secure material to prevent injury or damage.



2) Install in the reverse order of removal.

Tightening torque:

Refer to "COMPONENT" of "General Description".

<Ref. to EB-12, REAR GATE, COMPONENT, General Description.>

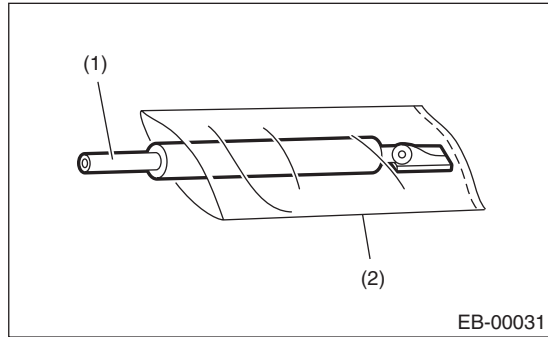
C: DISPOSAL

1. REAR GATE DAMPER STAY

CAUTION:

Gas is colorless, odorless, and harmless. However, gas pressure may spray cutting powder or oil. Be sure to wear dust-resistant goggles.

1) Cover with a vinyl sack as shown in the figure.



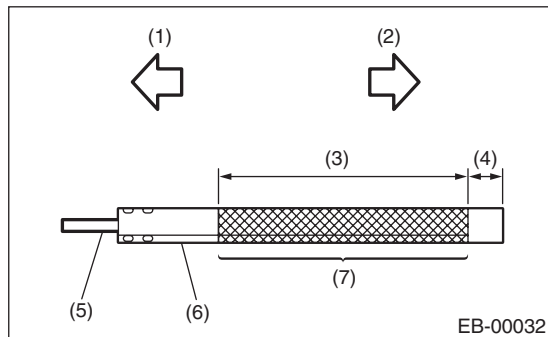
- (1) Rear gate damper stay
- (2) Vinyl sack

NOTE:

Prevent the vinyl sack from being caught by drill cutting edge

2) Lift the body side slightly with piston rods fully extended, and secure the body side with vise.

Drill a hole in 2 to 3 mm (0.08 to 0.12 in) diameter at a point 10 to 200 mm (0.39 to 7.87 in) from door side, and bleed rear gate damper stay gas stay completely.



- (1) Body side
- (2) Door side
- (3) 190 mm (7.48 in)
- (4) 10 mm (0.39 in)
- (5) Piston rod
- (6) Cylinder
- (7) Portion to be drilled

9. Trunk Lid

A: REMOVAL

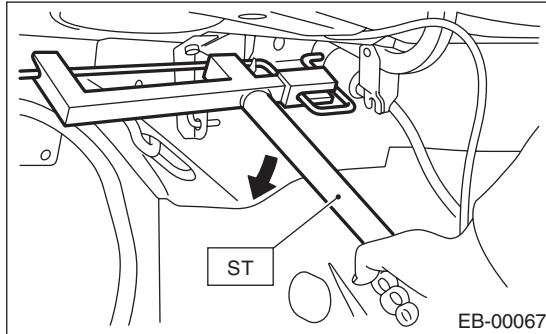
1. TORSION BAR

- 1) Open the trunk lid.
- 2) Using the ST, remove the torsion bar from the hinge link.

ST 927780000 REMOVER

CAUTION:

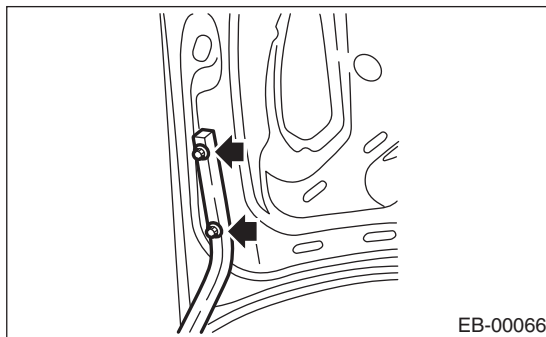
During removal and installation, handle the torsion bar carefully, because it will generate reactive force.



- 3) Remove the torsion bars RH/LH.

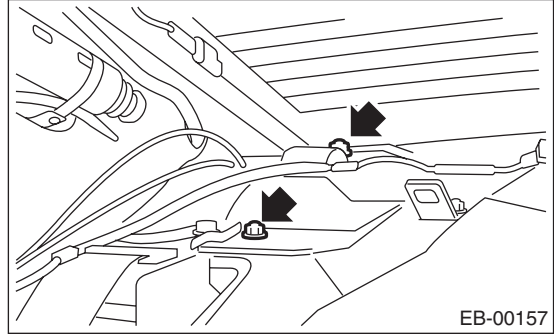
2. TRUNK LID ARM

- 1) Disconnect the ground cable from the battery.
- 2) Open the trunk lid to remove the trunk room trim. <Ref. to EI-58, REMOVAL, Trunk Room Trim.>
- 3) Disconnect the trunk lid release cable. <Ref. to SL-43, REMOVAL, Trunk Lid Lock Assembly.>
- 4) Disconnect the connectors, and remove the harness clip, etc.
- 5) Remove the trunk lid mounting bolts, to remove the trunk lid panel from the trunk lid arm.



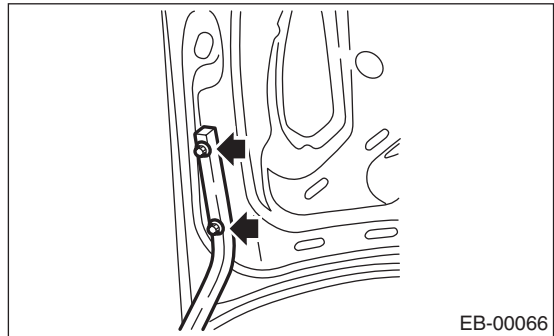
- 6) Remove the torsion bar from the trunk lid hinge link. <Ref. to EB-27, TORSION BAR, REMOVAL, Trunk Lid.>
- 7) Remove the rear shelf trim. <Ref. to EI-57, REMOVAL, Rear Shelf Trim.>

- 8) Remove the bolts, then remove the trunk lid arm.



3. TRUNK LID PANEL

- 1) Disconnect the ground cable from the battery.
- 2) Disconnect the connector to remove the trunk lid harness.
- 3) Remove the trunk lid lock assembly. <Ref. to SL-43, REMOVAL, Trunk Lid Lock Assembly.>
- 4) Remove the trunk lid garnish. <Ref. to EI-66, REMOVAL, Trunk Lid Garnish.>
- 5) Remove the bolts, then remove the trunk lid panel from the trunk lid arm.



B: INSTALLATION

- 1) Install in the reverse order of removal.
- 2) Apply grease to the rotating area of hinges and the torsion bar.
- 3) Install while paying attention to make a uniform clearance around the trunk lid panel. For the dimension of clearance, refer to "SPECIFICATION" in "General Description". <Ref. to EB-2, SPECIFICATION, General Description.>

Tightening torque:

Refer to "COMPONENT" of "General Description".

<Ref. to EB-9, FRONT FENDER, COMPONENT, General Description.>

Trunk Lid

EXTERIOR BODY PANELS

Brought to you by Eris Studios
NOT FOR RESALE