

Brought to you by Eris Studios
NOT FOR RESALE

ENTERTAINMENT

1. General Description

A: CAUTION

- Before disassembling or reassembling parts, always disconnect the battery ground cable from battery. When replacing the audio, control module and other parts provided with memory functions, record the memory contents before disconnecting the battery ground cable. Otherwise, the memory is cleared.
- Reassemble the parts in the reverse order of disassembly procedure unless otherwise indicated.
- Adjust parts to the given specifications.
- Connect the connectors securely during reassembly.
- After reassembly, make sure functional parts operate smoothly.

B: PREPARATION TOOL

1. GENERAL TOOL

TOOL NAME	REMARKS
Circuit tester	Used for measuring resistance and voltage.

2. Audio System

A: WIRING DIAGRAM

1. AUDIO

<Ref. to WI-179, WIRING DIAGRAM, Audio System.>

B: INSPECTION

Symptom	Repair order
No power coming in. (No display and no sound from speakers)	<ol style="list-style-type: none">1. Check the fuse and power supply for audio.2. Check the audio ground.3. Remove the audio for repair.
A specific speaker does not operate.	<ol style="list-style-type: none">1. Check the speaker.2. Check the output circuit between audio and speaker.
Audio generates noise with engine is running.	<ol style="list-style-type: none">1. Check the audio ground.2. Check the generator.3. Check the ignition coil.4. Remove the audio for repair.
Volume is low in AM and FM modes or interference noise occurs.	<ol style="list-style-type: none">1. Check the antenna.2. Check the audio ground.3. Remove the audio for repair.

C: NOTE

For removal of each component of the audio system, refer to the respective section.

- Audio unit <Ref. to ET-6, Audio.>
- Front speaker <Ref. to ET-7, Front Speaker.>
- Tweeter <Ref. to ET-8, Tweeter.>
- Rear speaker <Ref. to ET-9, Rear Speaker.>
- Antenna <Ref. to ET-10, Antenna.>

3. Navigation System

A: WIRING DIAGRAM

<Ref. to WI-185, WIRING DIAGRAM, Navigation System.>

B: INSPECTION

1. CHECK THE OPERATION OF THE NAVIGATION

Start the engine, and then inspect that the opening screen is displayed.

Standard value: The opening screen should be displayed.

OK: Normal

NG: When not displayed, check the connecting lines for the power supply connector at the back side of the audio unit. If there are no problems in the connecting lines or the lines were repaired, check that the opening screen is displayed.

At this point, if the display is not viewable, the unit is defective.

2. CHECK THE DVD-ROM

An opening screen is displayed, then it switches to the map screen by pressing the «Agree» key.

When a screen other than the opening screen is displayed, press the «MAP» key.

Standard value: The map screen should be displayed.

OK: Normal

NG: If the map screen is not displayed, the following causes are possible.

- The DVD-ROM is not set in the navigation system unit.
- The DVD-ROM is inserted with its wrong side.
- The type of DVD-ROM is wrong.
- The DVD-ROM has scratches etc.

If there are no problems on the DVD-ROM, the main body is defective.

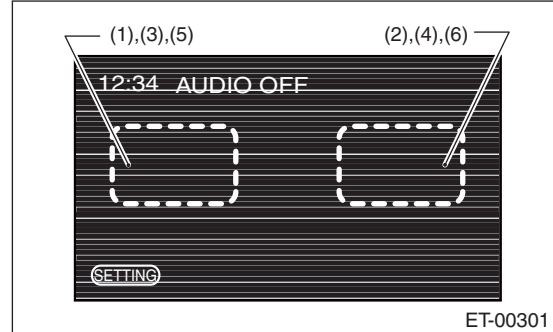
3. CHECK EACH CONNECTION

If there are no problems in “CHECK THE OPERATION OF THE NAVIGATION” and “CHECK THE DVD-ROM” above, check the circuit of the navigation system. <Ref. to WI-185, WIRING DIAGRAM, Navigation System.>

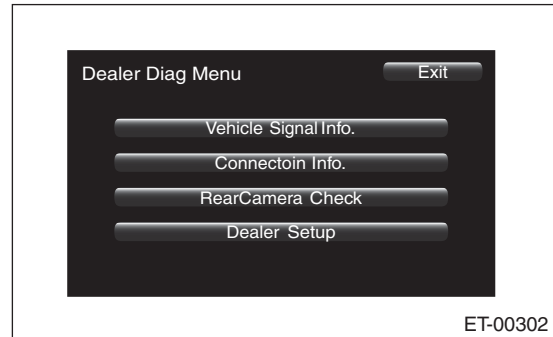
4. SWITCHING TO CONNECTION INSPECTION MODE

1) Press «Audio» key to display the Audio OFF screen.

2) Touch the screen in the order of (1) to (6) shown in the figure.



3) The display will switch to the Dealer Diag Menu screen.



• CHECK THE GPS ANTENNA

NOTE:

When checking the GPS antenna, perform the check operation outdoors to improve the receiver sensitivity.

1) Touch {Vehicle Signal Info.} on the «Dealer Diag Menu» screen.

2) Check that “Connect” is displayed in the GPS Antenna item.

Connect: Normal.

NC: Abnormal. Check the GPS antenna connection.

• CHECK THE BACK SENSOR

NOTE:

Before starting inspections, check the safety around the rear end of the vehicle and then turn the ignition switch to ON.

- 1) Touch {Vehicle Signal Info.} on the «Dealer Diag Menu» screen.
- 2) Pull the parking brake and depress the brake, then put the gear in reverse.
- 3) Make sure that “ON” is displayed in the Reverse item.

ON: Normal.

OFF: Abnormal. Check the signal line connection. If there are no problems, the unit could be faulty.

• CHECK THE ILLUMINATION

NOTE:

Before starting inspections, turn the ignition switch to ON.

- 1) Touch {Vehicle Signal Info.} on the «Dealer Diag Menu» screen.
- 2) Turn the lighting switch to level 1. Make sure that the bright switch is not turned ON at this time.

3) Make sure that “ON” lights in the Illumination item and then the screen fades out.

ON: Normal.

OFF: Abnormal. Check the signal line connection. If there are no problems, the unit could be faulty.

• CHECK SPEED SENSOR

NOTE:

- Before starting inspections, check the safety around the vehicle.
- Lift up the vehicle as necessary.
- When the diagnostic trouble code is input in the VDCCM, perform the Clear Memory operation.

- 1) Touch {Vehicle Signal Info.} on the «Dealer Diag Menu» screen.
- 2) Move the vehicle 2 to 3 meters (6.6 to 9.8 ft).
- 3) Check that “ON” is displayed in the Speed item.

ON: Normal.

OFF: Abnormal. Check the signal line connection. If there are no problems, the unit could be faulty.

C: NOTE

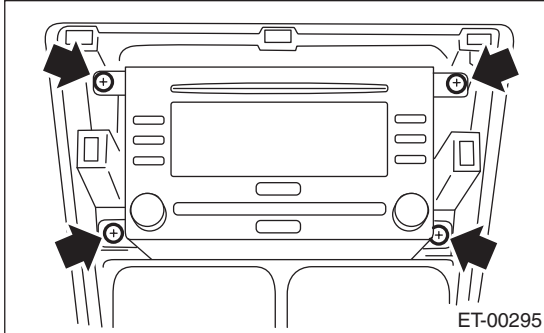
Refer to each section for removal of each component of the navigation system.

- Navigation unit <Ref. to ET-12, Navigation Body.>
- GPS antenna <Ref. to ET-13, GPS Antenna.>

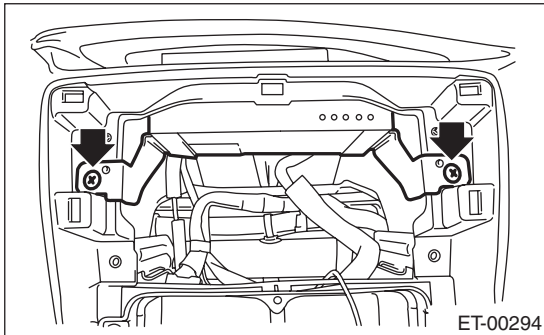
4. Audio

A: REMOVAL

- 1) Disconnect the ground cable from the battery.
- 2) Remove the center panel. <Ref. to EI-48, CENTER PANEL, REMOVAL, Center Console.>
- 3) Remove the fitting screws, and slightly pull the audio out from the center console.



- 4) Disconnect the harness connectors and antenna feeder cord.
- 5) Remove the audio.
- 6) Remove the mounting screws and detach the satellite radio unit.



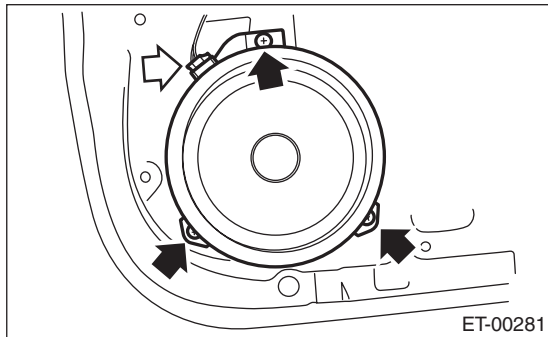
B: INSTALLATION

Install in the reverse order of removal.

5. Front Speaker

A: REMOVAL

- 1) Disconnect the ground cable from the battery.
- 2) Remove the front door trim. <Ref. to EI-43, REMOVAL, Door Trim.>
- 3) Remove the front speaker mounting screws.



- 4) Disconnect the harness connector and remove the front speaker.

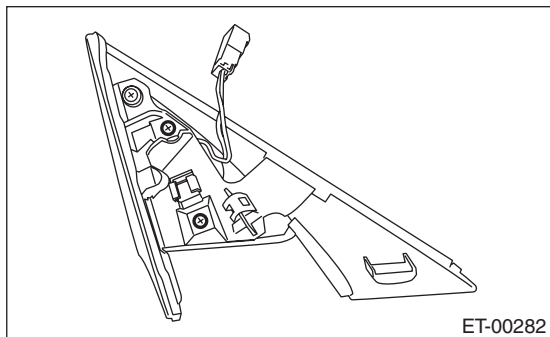
B: INSTALLATION

Install in the reverse order of removal.

6. Tweeter

A: REMOVAL

- 1) Disconnect the ground cable from the battery.
- 2) Disconnect the harness connector and remove the front door gusset cover.
- 3) Remove the screws and detach the tweeter.



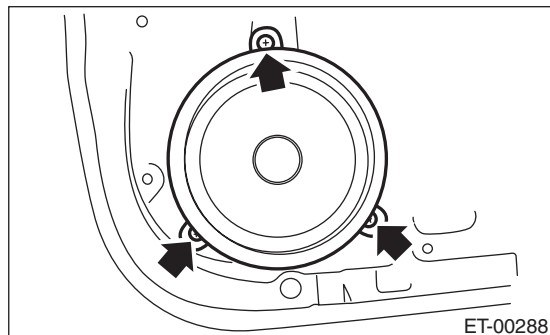
B: INSTALLATION

Install in the reverse order of removal.

7. Rear Speaker

A: REMOVAL

- 1) Disconnect the ground cable from the battery.
- 2) Remove the rear door trim. <Ref. to EI-43, REMOVAL, Door Trim.>
- 3) Remove the rear speaker mounting screws.



- 4) Disconnect the harness connector and remove the rear speaker.

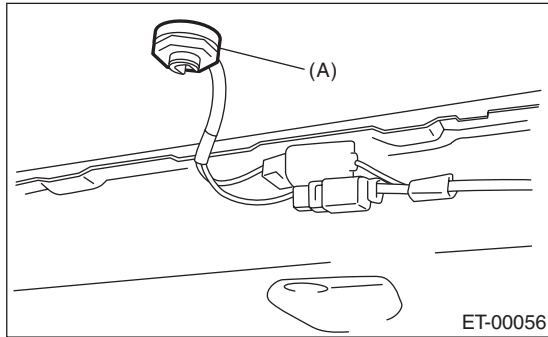
B: INSTALLATION

Install in the reverse order of removal.

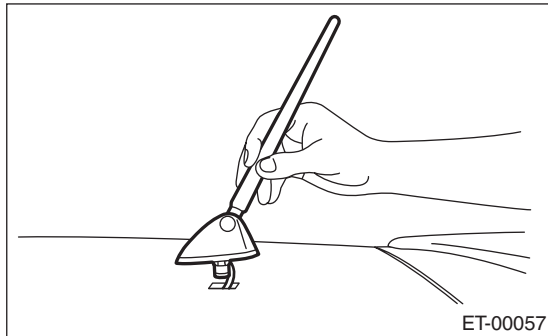
8. Antenna

A: REMOVAL

- 1) Remove the roof trim. <Ref. to EI-61, REMOVAL, Roof Trim.>
- 2) Disconnect the harness connectors and terminals and remove the fitting nut (A).



- 3) Pull off the antenna from the roof.



B: INSTALLATION

Install in the reverse order of removal.

C: INSPECTION

Check for cracks or damages.
If any cracks or damages, replace the antenna.

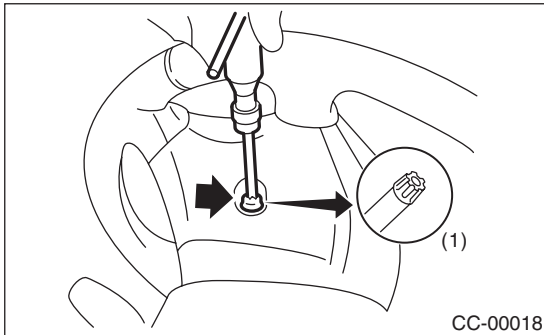
9. Steering Satellite Switch

A: REMOVAL

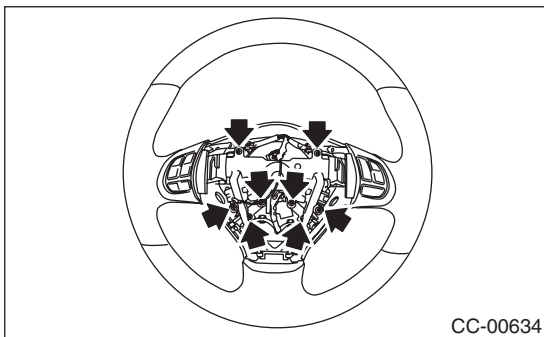
WARNING:

Before servicing, be sure to read the notes in the “AB” section for proper handling of the driver’s airbag module. <Ref. to AB-5, CAUTION, General Description.>

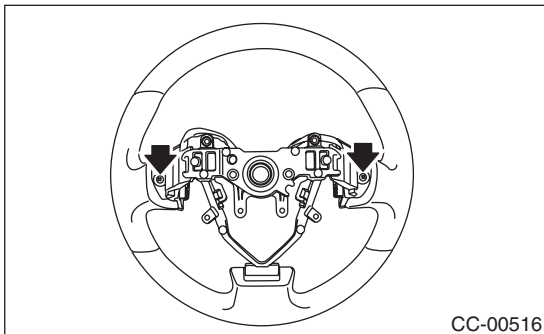
- 1) Set the front wheels in straight ahead position.
- 2) Turn the ignition switch to OFF.
- 3) Disconnect the ground cable from battery and wait for at least 20 seconds before starting work.
- 4) Using TORX® bit T30 (1), loosen two TORX® bolts which secure the driver’s airbag module.



- 5) Disconnect the airbag module connector on back of the airbag module. <Ref. to AB-9, PROCEDURE, Airbag Connector.>
- 6) Remove the steering wheel. <Ref. to PS-13, REMOVAL, Steering Wheel.>
- 7) Remove the screws to remove the lower cover from steering wheel.



- 8) Loosen the screws on the backside of the steering wheel and remove the satellite switch.

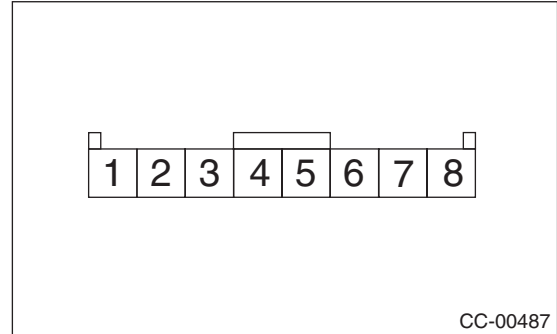


B: INSTALLATION

Install in the reverse order of removal.

C: INSPECTION

Measure the resistance between satellite switch connector terminals.



Switch	Position	Terminal No.	Standard
Mute Volume (+) Volume (-) Mode Seek (∧) Seek (∨)	All OFF	4 and 5	Approx. 4.7 kΩ
Mute	ON	4 and 5	Approx. 22 Ω
Volume (+)	ON	4 and 5	Approx. 90 Ω
Volume (-)	ON	4 and 5	Approx. 200 Ω
Mode	ON	4 and 5	Approx. 360 Ω
Seek (∧)	ON	4 and 5	Approx. 690 Ω
Seek (∨)	ON	4 and 5	Approx. 1.15 kΩ

If NG, replace the cruise control command switch.

10. Navigation Body

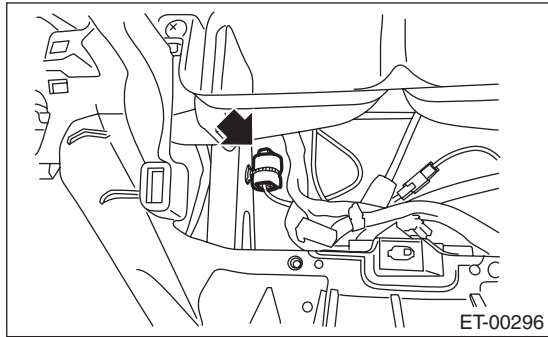
A: PROCEDURE

For the removal and installation operation procedures of navigation unit, refer to the removal and installation procedures of the audio unit. <Ref. to ET-6, Audio.>

11. GPS Antenna

A: REMOVAL

- 1) Disconnect the ground cable from the battery.
- 2) Remove the center panel. <Ref. to EI-48, CENTER PANEL, REMOVAL, Center Console.>
- 3) Remove the audio. <Ref. to ET-6, REMOVAL, Audio.>
- 4) Disconnect the connector (green) of GPS antenna.

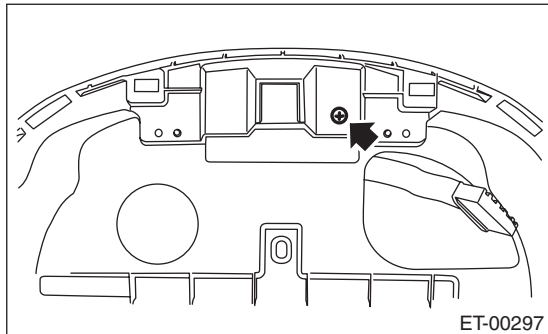


NOTE:

Attach a string of about 50 cm in length, etc. to the GPS antenna for easy installation work.

5) Remove the combination meter assembly. <Ref. to IDI-14, REMOVAL, Combination Meter.>

6) Remove the screw and harness clamp to remove the GPS antenna.



NOTE:

When the GPS antenna harness connector is pulled out, remove the string attached to the connector in step 4).

B: INSTALLATION

Install in the reverse order of removal.

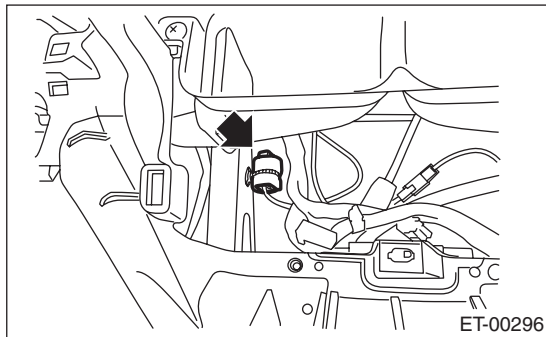
12. Front Accessory Power Supply Socket

A: WIRING DIAGRAM

<Ref. to WI-183, WIRING DIAGRAM, Front Accessory Power Supply Socket System.>

B: REMOVAL

- 1) Disconnect the ground cable from the battery.
- 2) Remove the instrument panel lower cover. <Ref. to EI-50, INSTRUMENT PANEL, LOWER, REMOVAL, Center Console.>
- 3) Disconnect the harness connectors and remove the front accessory power supply socket.



C: INSTALLATION

Install in the reverse order of removal.

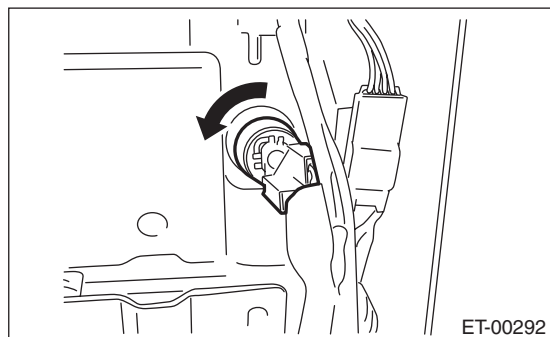
13. Rear Accessory Power Supply Socket

A: WIRING DIAGRAM

<Ref. to WI-184, WIRING DIAGRAM, Rear Accessory Power Supply Socket System.>

B: REMOVAL

- 1) Disconnect the ground cable from the battery.
- 2) Remove the console box. <Ref. to EI-47, REMOVAL, Console Box.>
- 3) Disconnect the harness connector, and remove the accessory power supply socket.



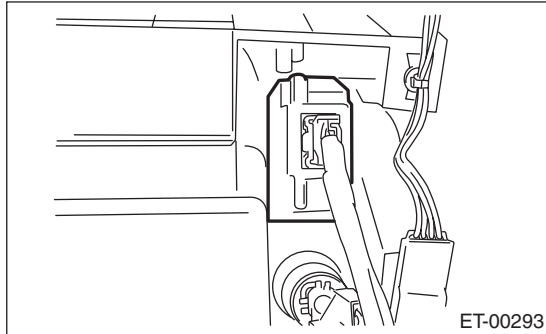
C: INSTALLATION

Install in the reverse order of removal.

14.AUX Input Terminal

A: REMOVAL

- 1) Disconnect the ground cable from the battery.
- 2) Remove the console box. <Ref. to EI-47, REMOVAL, Console Box.>
- 3) Disconnect the harness connector.
- 4) Remove the AUX input terminal by pushing it into the console box.



B: INSTALLATION

Install in the reverse order of removal.