

Brought to you by Eris Studios  
NOT FOR RESALE

# IDENTIFICATION

## IDENTIFICATION

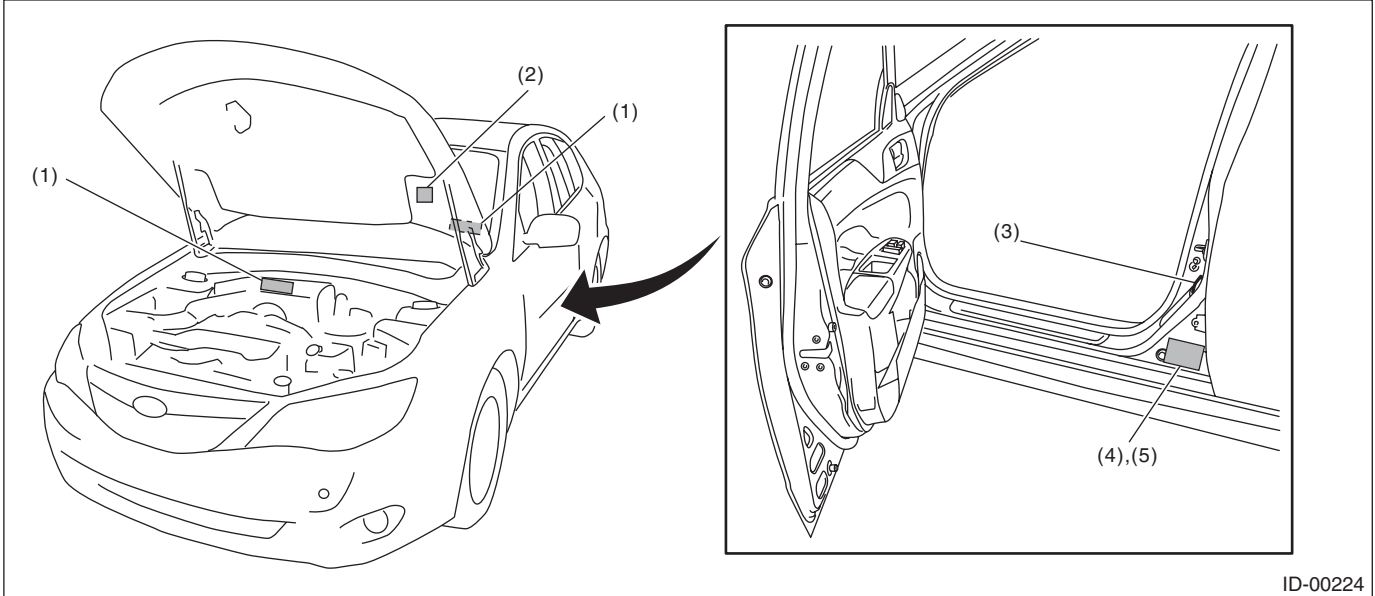
### 1. Identification

#### A: IDENTIFICATION

##### 1. IDENTIFICATION NUMBER & LABEL LOCATIONS

The V.I.N. (Vehicle Identification Numbers) is used to classify the vehicle.

- POSITIONING OF THE LABEL FOR IDENTIFICATION



ID-00224

(1) Vehicle identification number (V.I.N.)

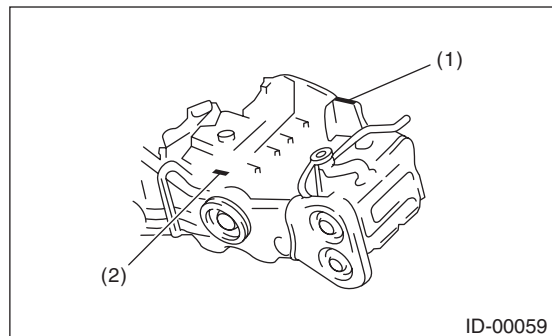
(2) Emission control label

(4) MVSS label

(3) Tire inflation pressure label

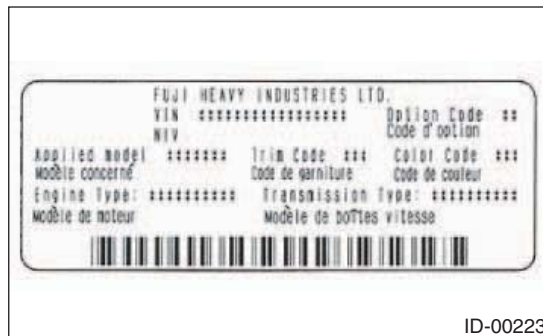
(5) Model number label

## • ENGINE

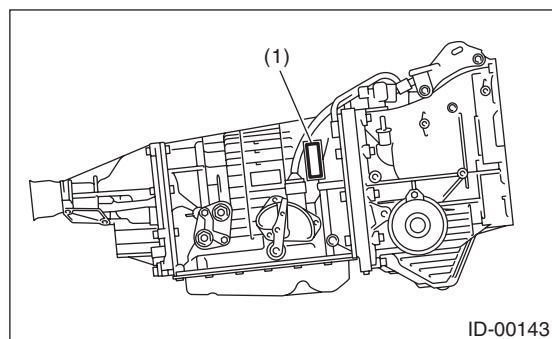


- (1) Engine serial number
- (2) Engine type (crankcase upper side)

## • MODEL NUMBER LABEL

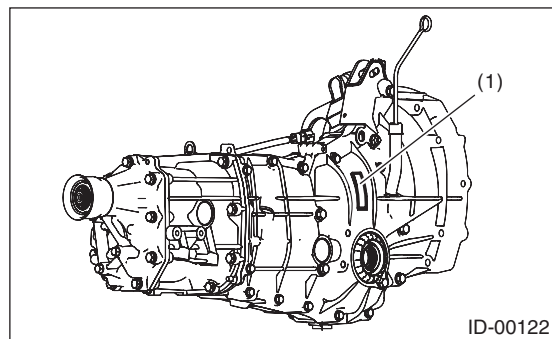


## • AUTOMATIC TRANSMISSION



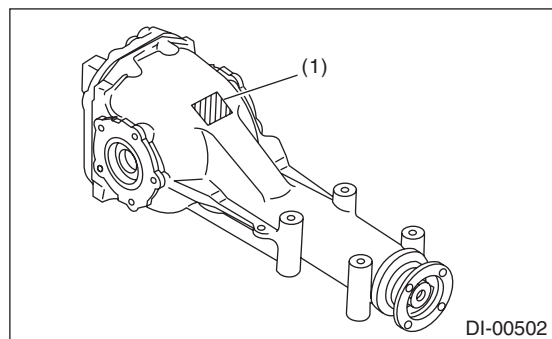
- (1) AT type label

## • MANUAL TRANSMISSION



- (1) MT type label

## • REAR DIFFERENTIAL



- (1) Identification (white paint)

# Identification

## IDENTIFICATION

Brought to you by Eris Studios  
NOT FOR RESALE

### 2. MEANING OF V.I.N.

The meaning of the V.I.N. is as follows:

**JF1GE636X8G500001**

The large parentheses ([]) located in front and back are stop marks.

Digits	Code	Meaning	Details
1 — 3	JF1	Manufacturer body area	JF1: Passenger car, FHI made
4	G	Car line	IMPREZA
5	E	Body type	E: 4 door sedan H: 5 door wagon
6	6	Displacement	6: 2.5 L AWD 7: 2.5 L AWD turbo
7	3	Grade	1: 2.5 i 2: 2.5 i-S 3: OUTBACK SPORTS
8	6	Restraint	6: Manual belts, dual airbag, side airbag
9	X	Check digit	0 — 9 & X
10	8	Model year	8: 2008MY
11	G	Transmission type	G: Full-time AWD 5MT Single range H: Full-time AWD 4AT
12 — 17	500001	Serial number	From 500001: 4 door sedan From 800001: Wagon

### 3. MODEL NUMBER LABEL

The model number label indicates: the applied model, the option code, the trim code, the engine type, the transmission type, and the exterior color code. This information is helpful when placing orders for parts.

#### **GHCA7J**

Digits	Code	Meaning	Details
1	G	Series	IMPREZA
2	H	Body type	E: 4 door H: 5 door
3	C	Engine displacement Drive system Suspension system	C: 2.5 L AWD E: 2.5 L AWD turbo
4	A	Model year	A: 2008MY
5	Y	Destination	Y: U.S., Canada
6	7	Grade	7: 2.5 i 8: 2.5 i-S 9: OUTBACK SPORTS F: WRX G: WRX-S
7	J	Transmission, fuel feed system	D: MFI Turbo 5MT AWD J: MFI 5MT AWD L: MFI 4AT SPORT shift AWD T: MFI Turbo 4AT SPORT shift AWD

The engine and transmission type are as follows.

#### **Engine**

#### **EJ253BS1FB**

Digits	Code	Meaning	Details
1 and 2	EJ	Engine type	EJ: 4 cylinder
3 and 4	25	Displacement	25: 2.5 L
5	3	Fuel feed system	3: MFI non-turbo (SOHC) 5: MFI turbo
6	B	Exhaust regulations	B: U.S. (FED, CAL)
7	S	Transmission	E: 5MT (WAD) P: AT S: 5MT
8	1	Minor change	1: 1 is stamped on the engine.
9 — 10	FB	Detailed specifications	Used when ordering parts. See the parts catalog for details.

#### **Transmission (MT)**

#### **TY758VC1AA**

Digits	Code	Meaning	Details
1	T	Transmission	T: Transmission
2	Y	Transmission type	Y: Full-time AWD MT center differential
3 and 4	75	Classification	75: 5MT
5	8	Series	8: 5MT
6	V	Transmission specifications	V: Full-time AWD 5MT single range with viscous coupling center differential
7	C	Engine type	C: 925 SOHC W: 925 DOHC turbo
8 — 10	1AA	Detailed specifications	Used when ordering parts. See the parts catalog for details.

# Identification

Brought to you by Eris Studios  
NOT FOR RESALE

## IDENTIFICATION

### Transmission (AT)

#### TZ1B8LCEBA

Digits	Code	Meaning	Details
1	T	Transmission	T: Transmission
2	Z	Transmission type	Z: Full-time AWD AT MP-T
3 and 4	1B	Identification	1B: AT (direct control method)
5	8	Series	8: AT
6	L	Transmission specifications	L: Full-time AWD with MP-T 4AT (direct control method)
7	C	Engine type	C: 925 SOHC W: 925 DOHC turbo
8 — 10	EBA	Detailed specifications	Used when ordering parts. See the parts catalog for details.

### Rear differential

#### T1

Code	Reduction gear ratio	LSD
B2	3.900	None
T1	3.900	None
T2	4.111	None

### Option code

#### U4FW

Digits	Code	Meaning	Details
1 — 2	U4	Destination	CO: Canada U4: U.S. (FED, CAL)
3 — 4	FW	Main optional parts of the vehicle	—