

Brought to you by Eris Studios
NOT FOR RESALE

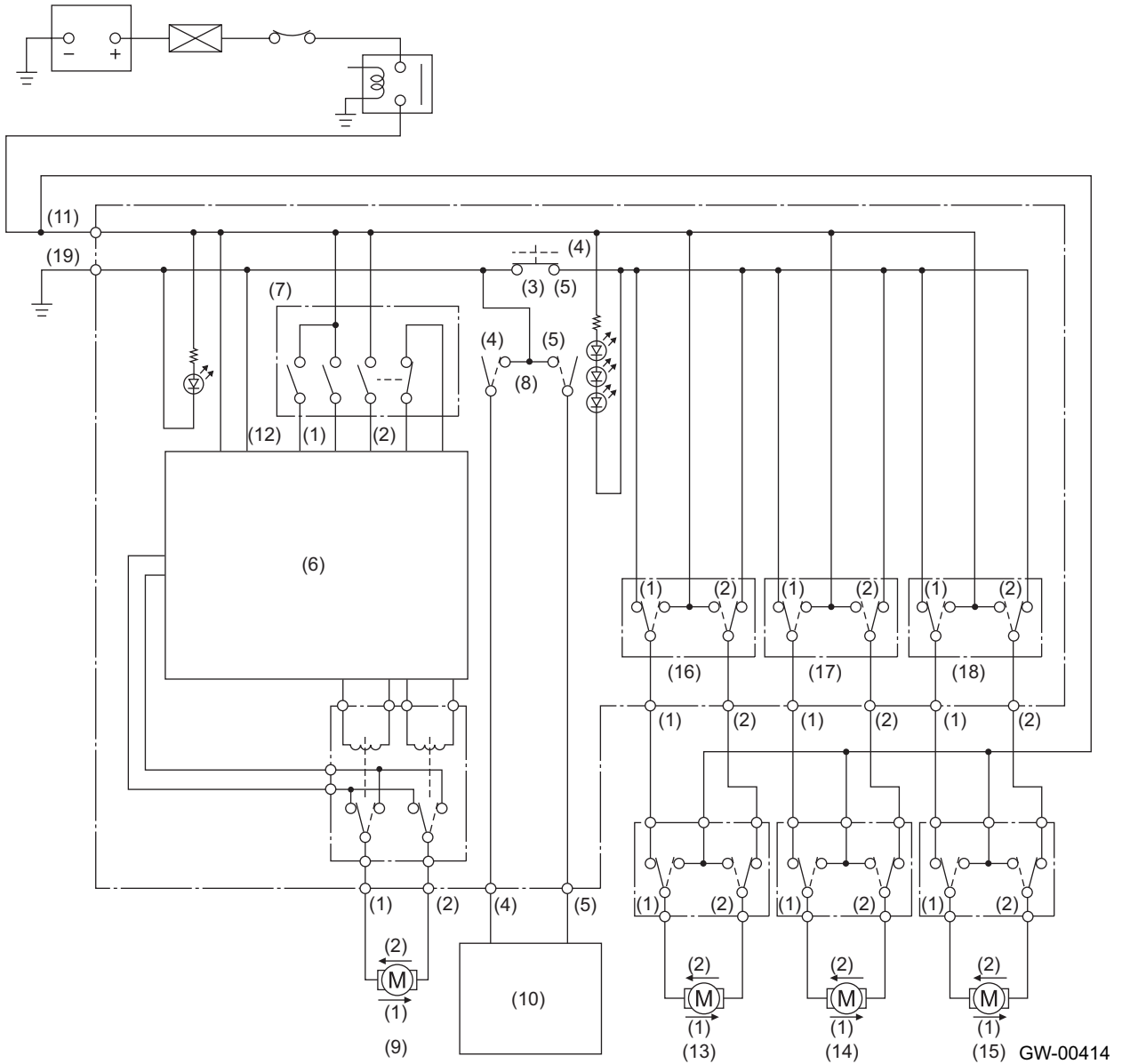
GLASS/WINDOWS/MIRRORS

1. Power Window

A: CONSTRUCTION

- The power window system consists of regulator motors and switches for individual doors, relays and a circuit breaker unit.
- Each door window can be opened/closed by pushing down/pulling up the switch.
- Only the driver's door window switch has a 2-stage mechanism:
 - When the switch is pushed down or pulled up lightly and held, the window continues to lower or raise until the switch is released.
 - When the switch is pushed down fully, the window opens to the end position automatically.

B: SCHEMATIC DRAWINGS

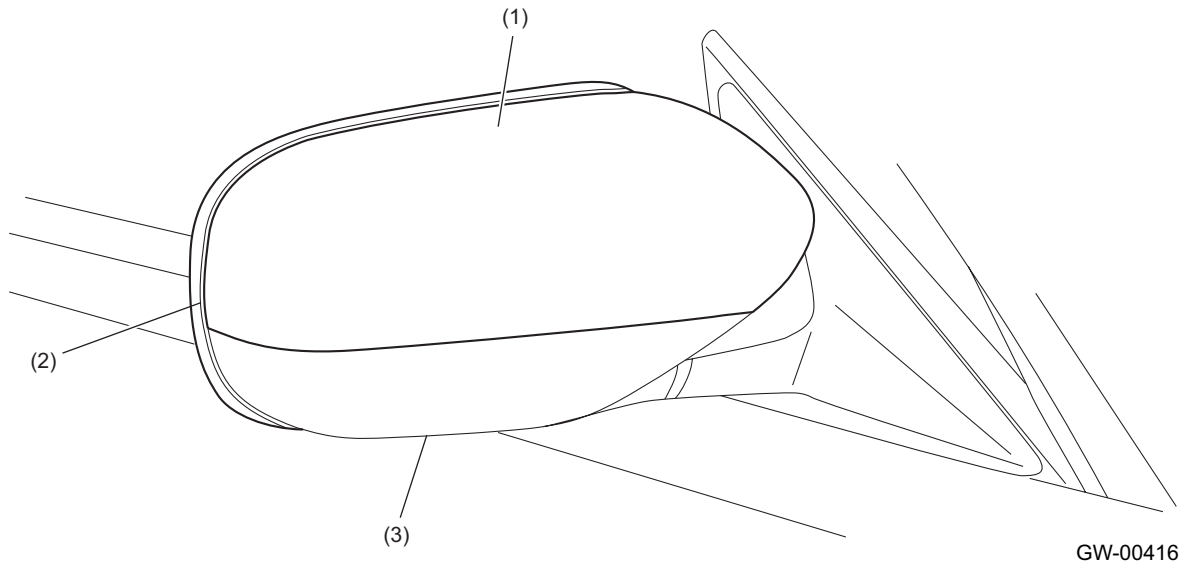


- | | |
|---------------------------------------|---|
| (1) Raise | (11) Ignition |
| (2) Lower | (12) Auto |
| (3) Power window lock switch | (13) Passenger's seat |
| (4) Lock | (14) Rear right |
| (5) Unlock | (15) Rear left |
| (6) Controller | (16) Power window passenger's seat switch |
| (7) Power window driver's seat switch | (17) Power window rear right seat switch |
| (8) Door lock switch | (18) Power window rear left seat switch |
| (9) Driver's seat side | (19) Ground |
| (10) Door lock controller | |

2. Door Mirrors

A: GENERAL

- Door mirrors are powered and remote controllable, and on some models each mirror has a side turn signal light built in it.
- The mirror body is structured as a scalp cap. The portion that may be damaged easier (scalp cap part and the side turn signal lamp part) can be replaced, contributing to reduce repair cost.
- Water drops cannot easily adhere to the mirror surface or front door glass while driving in rain.
- Mirror heaters are used on some models.

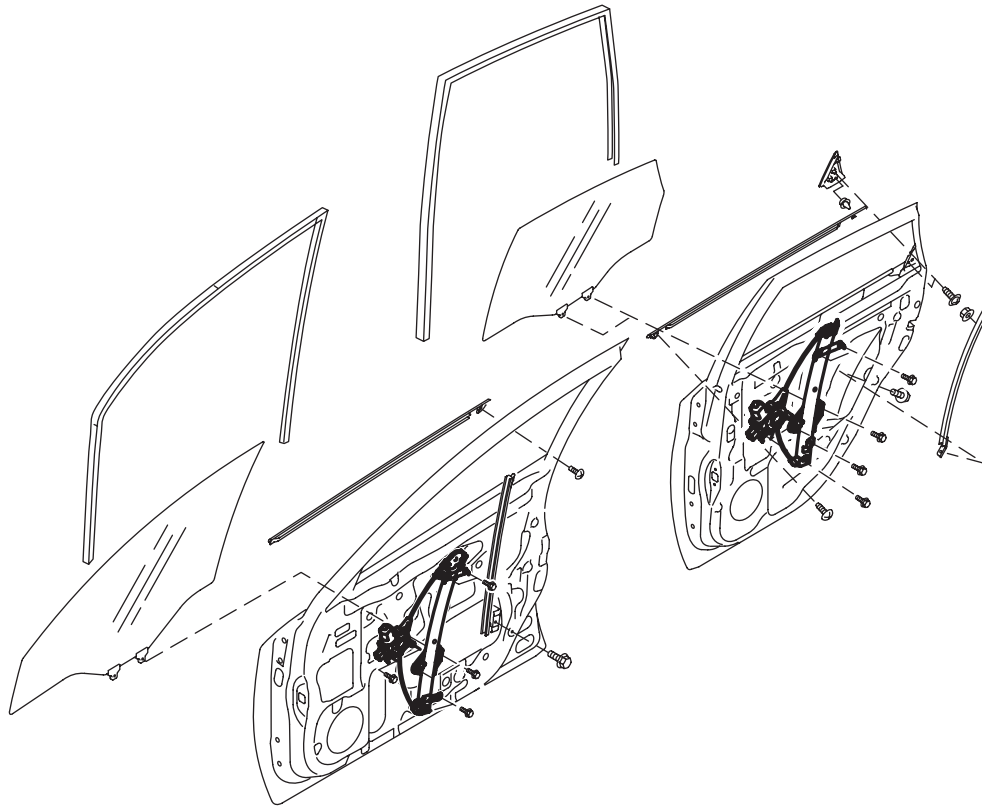


- (1) Scalp cap
- (2) Groove
- (3) Side turn signal light

3. Wire-type Window Regulator (From '08MY)

A: GENERAL

- A wire-type window regulator can be more compact than X arm-type regulator. The design is intended for overall weight reduction of the power window regulator assembly.
- Introduction of the wire-type window regulator enables the up-and-down track to become more closer to the glass curvature for much more smooth up-and-down movement.
- A wider space inside the door panel is available now so a space to place a water bottle into is provided in the door trim.



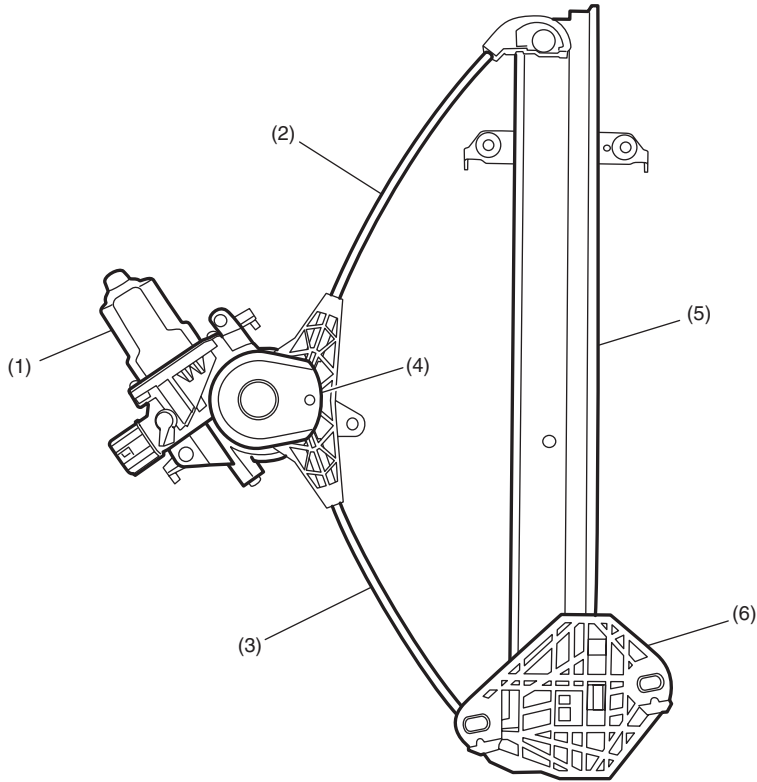
GW-00722

WIRE-TYPE WINDOW REGULATOR (FROM '08MY)

GLASS/WINDOWS/MIRRORS

Brought to you by Eris Studios
NOT FOR RESALE

B: STRUCTURE



GW-00723

- (1) Motor
- (2) Upper wire

- (3) Lower wire
- (4) Wire-winding drum

- (5) Rail
- (6) Carrier plate

WIRE-TYPE WINDOW REGULATOR (FROM '08MY)

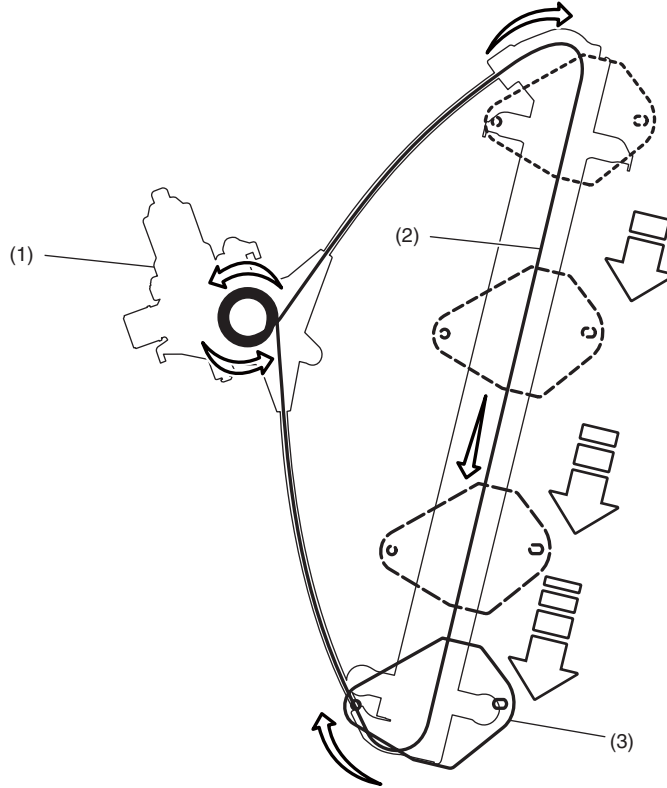
GLASS/WINDOWS/MIRRORS

Brought to you by *www.studiobros.com*
NOT FOR SALE

C: OPERATION

The glass moves up and down when the wire (2) is wound or unwound as the motor (1) rotates. When a certain amount of the wire is wound or the same amount of the wire is unwound, the carrier plate (3) attached to the wire moves up and down. This move the glass that is attached to the carrier plate moves up and down as well.

- Glass moving down



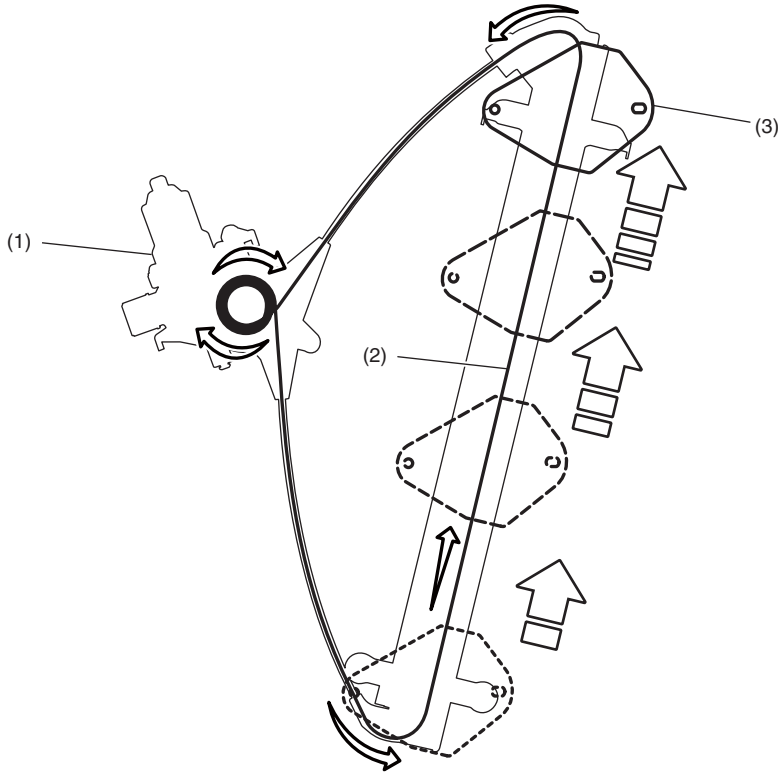
GW-00720

WIRE-TYPE WINDOW REGULATOR (FROM '08MY)

GLASS/WINDOWS/MIRRORS

Brought to you by Eris Studios
NOT FOR RESALE

- Glass moving up



GW-00721