

Brought to you by Eris Studios
NOT FOR RESALE

INTAKE (INDUCTION)

H4SO

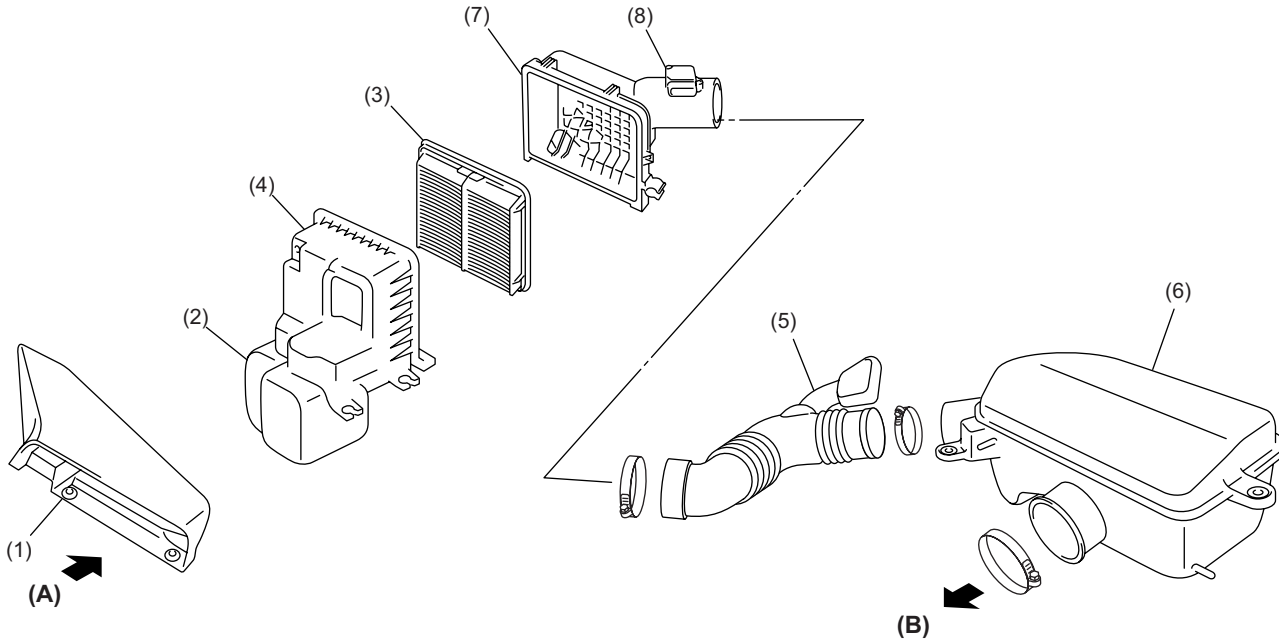
GENERAL

Brought to you by Eris Studios
NOT FOR RESALE

INTAKE (INDUCTION)

1. General

The intake system consists of an intake duct, a resonator chamber, and an air cleaner element housed in its case. The resonator chamber effectively reduces the intake noise level.



IN-02086

- (1) Air intake duct
 - (2) Resonator
 - (3) Air cleaner element
 - (4) Air cleaner case (front)
 - (5) Intake duct
 - (6) Air intake chamber
 - (7) Air cleaner case (rear)
 - (8) Mass air flow and intake air temperature sensor
- (A) Outside air
 - (B) To throttle body