

Brought to you by Eris Studios
NOT FOR RESALE

COMMUNICATION SYSTEM

1. General Description

A: CAUTION

- Before disassembling or reassembling parts, always disconnect the battery ground cable from battery. When replacing the radio, control unit, and other parts provided with memory functions, record the memory contents before disconnecting the battery ground cable. Otherwise, the memory is cleared.
- Reassemble the parts in the reverse order of disassembly procedure unless otherwise indicated.
- Adjust parts to the given specifications.
- Connect the connectors and hoses securely during reassembly.
- After reassembly, make sure functional parts operate smoothly.

B: PREPARATION TOOL

1. GENERAL TOOL

TOOL NAME	REMARKS
Circuit tester	Used for measuring resistance and voltage.
TORX®T30	Used for removal/installation of driver's airbag module.

Brought to you by
 NOT FOR SALE
 Chris Studios

2. Horn System

A: WIRING DIAGRAM

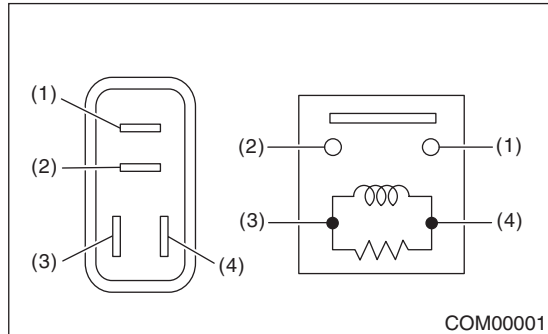
1. HORN

<Ref. to WI-97, WIRING DIAGRAM, Horn System.>

B: INSPECTION

1. HORN RELAY

Measure the security horn relay resistance between terminals (indicated in the table below) when connecting terminal No. 4 to battery positive terminal and terminal No. 3 to battery ground terminal.



Continuity	Terminal No.	Standard
Yes	1 and 2	Less than 1 Ω
No		1 M Ω or more

C: NOTE

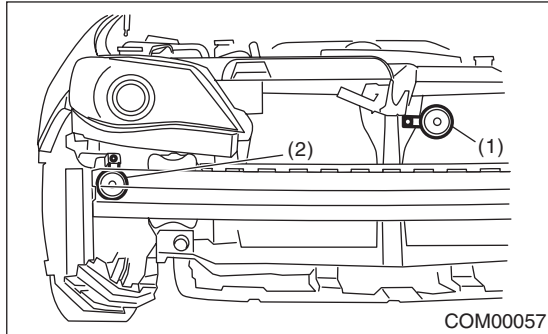
For removal procedure of each component in the horn system, refer to the respective section.

- Horn assembly <Ref. to COM-4, Horn.>
- Horn switch <Ref. to COM-5, Horn Switch.>

3. Horn

A: REMOVAL

- 1) Disconnect the ground cable from battery.
- 2) Remove the front bumper. <Ref. to EI-26, REMOVAL, Front Bumper.>
- 3) Disconnect the harness connector.
- 4) Remove the horn bracket mounting bolt, and remove the horn assembly.



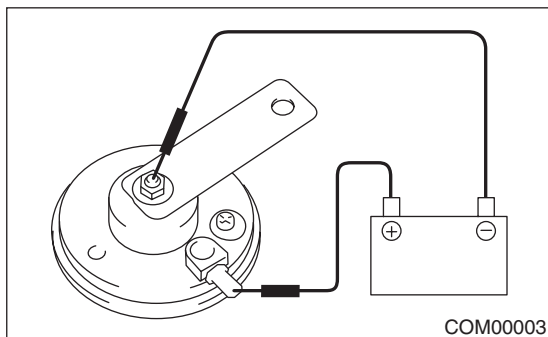
- (1) Lo side horn
(2) Hi side horn

B: INSTALLATION

Install in the reverse order of removal.

C: INSPECTION

With 12 V direct current supply between horn terminal and case ground, check that the horn sounds properly.



4. Horn Switch

A: REMOVAL

WARNING:

Before servicing, be sure to read the notes in the AB section for proper handling of the driver's airbag module. <Ref. to AB-5, CAUTION, General Description.>

NOTE:

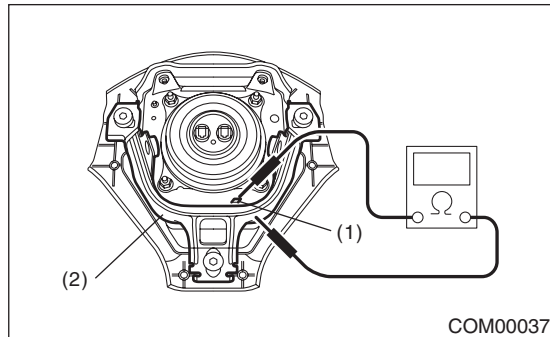
Horn switch is a unit with the driver's airbag module.
 1) Disconnect the ground cable from battery.
 2) Remove the driver's airbag module. <Ref. to AB-16, REMOVAL, Driver's Airbag Module.>

B: INSTALLATION

Install in the reverse order of removal.

C: INSPECTION

Measure the resistance between horn switch terminal and airbag module bracket.



- (1) Horn switch terminal
- (2) Airbag module bracket

Switch position	Terminal No.	Resistance
The airbag module bracket being pushed	Horn switch terminal and airbag module bracket	Less than 1 Ω
The airbag module bracket being separated	Horn switch terminal and airbag module bracket	1 MΩ or more

Horn Switch

COMMUNICATION SYSTEM

Brought to you by Eris Studios
NOT FOR RESALE

COM-6