

Brought to you by Eris Studios
NOT FOR RESALE

LIGHTING SYSTEM

General Description

LIGHTING SYSTEM

Brought to you by Eris Studios
NOT FOR RESALE

1. General Description

A: SPECIFICATION

Headlight	HID type low beam	12 V — 35 W
	Halogen type high beam	12 V — 60 W
Front turn signal light		12 V — 27 W
Clearance / Parking light		12 V — 8 W
Front fog light		12 V — 51 W
Side turn signal light		12 V — 2.7 W (LED)
Rear combination light	Tail / stop light	12 V — 0.3 W (LED) / 12 V — 4.8 W (LED)
	Turn signal light	12 V — 21 W
	Rear side marker light	12 V — 5 W
Back-up light		12 V — 21 W
License plate light		12 V — 5 W
High-mounted stop light		12 V — 2.7 W (LED)
Room light		12 V — 8 W
Spot map light		12 V — 8 W
Luggage room light		12 V — 5 W

B: CAUTION

- Before removing or installing parts, always disconnect the battery ground cable from battery. When replacing the audio, control module and other parts provided with memory functions, record the memory contents before disconnecting the battery ground cable. Otherwise, the memory is cleared.
- Reassemble the parts in the reverse order of disassembly procedure unless otherwise indicated.
- Adjust parts to the given specifications.
- Connect the connectors securely during reassembly.
- After reassembly, make sure functional parts operate smoothly.

WARNING:

- The airbag system wiring harness is routed near electrical parts and switches. Do not use electrical test equipment on any airbag system wiring harnesses or connector circuits.
- Be careful not to damage the airbag system wiring harness when servicing electrical parts and switches.

C: PREPARATION TOOL

1. GENERAL TOOL

TOOL NAME	REMARKS
Circuit tester	Used for measuring resistance and voltage.

Brought to you by
NOVA
SALES Studios

2. Headlight and Tail Light System

A: WIRING DIAGRAM

1. HALOGEN TYPE HEADLIGHT

<Ref. to WI-68, WIRING DIAGRAM, Headlight System.>

2. HID TYPE HEADLIGHT

<Ref. to WI-68, WIRING DIAGRAM, Headlight System.>

3. CLEARANCE LIGHT AND ILLUMINATION LIGHT

<Ref. to WI-75, WIRING DIAGRAM, Clearance Light and Illumination Light System.>

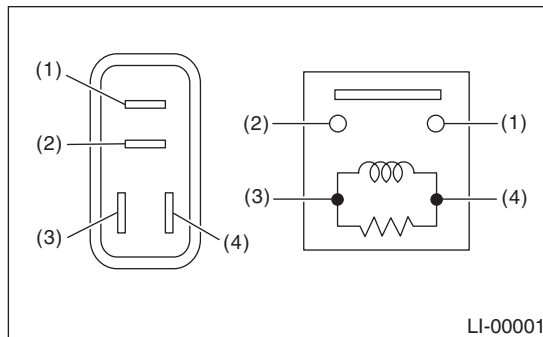
B: INSPECTION

1. HEADLIGHT SWITCH

<Ref. to LI-10, INSPECTION, Combination Switch (Light).>

2. HEADLIGHT RELAY

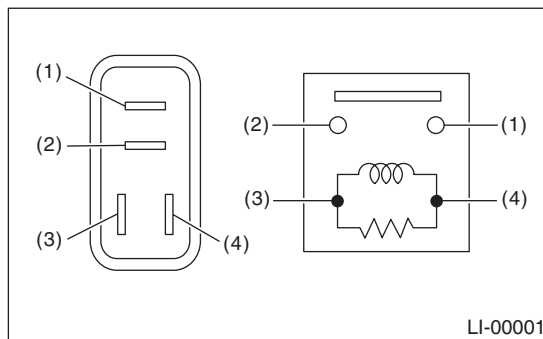
Measure the headlight relay resistance between terminals when connecting terminal No. 4 to the battery positive terminal and terminal No. 3 to the battery ground terminal.



Continuity	Terminal No.	Standard
Yes	1 and 2	Less than 1 Ω
No		1 MΩ or more

3. TAIL AND ILLUMINATION RELAY

Measure the resistance between the tail and illumination relay terminals when connecting terminal No. 4 to the battery positive terminal and terminal No. 3 to the battery ground terminal.



Continuity	Terminal No.	Standard
Yes	1 and 2	Less than 1 Ω
No		1 MΩ or more

Day Time Running Light System

LIGHTING SYSTEM

Brought to you by Eris Studios
NOT FOR RESALE

3. Day Time Running Light System

A: WIRING DIAGRAM

<Ref. to WI-68, WIRING DIAGRAM, Headlight System.>

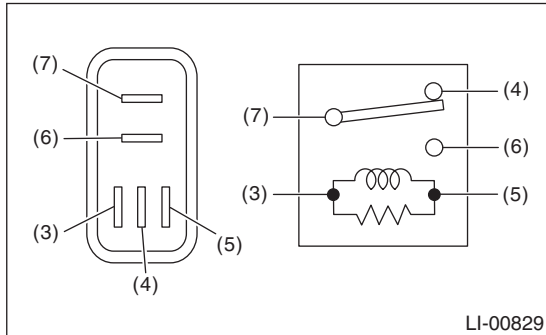
B: INSPECTION

1. DAYTIME RUNNING LIGHT MODULE CHECK

Step	Check	Yes	No
1 CHECK DTC. 1) Connect the Subaru Select Monitor. 2) Read the DTC of the integrated unit.	Is DTC displayed?	Perform the diagnosis according to DTC.	Go to step 2.
2 CHECK INPUT SIGNAL. 1) Display the current data of the integrated unit. 2) Check the following input signals. (1) Parking brake switch (2) Shift position (3) Light 2	Is the input signal normal?	Go to step 3.	Check the defective part.
3 CHECK RELAY. Check the daytime running light relay.	Is the relay OK?	Go to step 4.	Replace the relay.
4 CHECK HARNESS.	Is the harness OK?	Replace the integrated unit.	Repair the harness.

2. DAYTIME RUNNING LIGHT RELAY

Measure the resistance between the daytime running relay terminals when connecting terminal No. 3 to the battery positive terminal and terminal No. 5 to the battery ground terminal.



Continuity	Terminal No.	Standard
Yes	7 and 6	Less than 1 Ω
No		1 MΩ or more
Yes	7 and 4	1 MΩ or more
No		Less than 1 Ω

4. Front Fog Light System

A: WIRING DIAGRAM

1. FRONT FOG LIGHT

<Ref. to WI-72, WIRING DIAGRAM, Front Fog Light System.>

B: INSPECTION

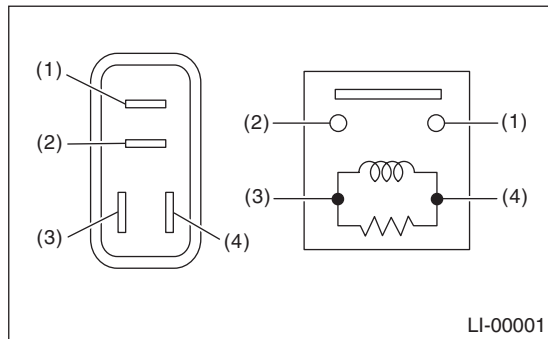
1. FRONT FOG LIGHT SWITCH

Measure the resistance between front fog light switch terminals.

<Ref. to LI-10, INSPECTION, Combination Switch (Light).>

2. FRONT FOG LIGHT RELAY

Connect terminal No. 4 to battery positive terminal and terminal No. 3 to battery ground terminal, and measure the front fog light relay resistance between terminals.



Continuity	Terminal No.	Standard
Yes	1 and 2	Less than 1 Ω
No		1 MΩ or more

5. Turn Signal Light and Hazard Light System

A: WIRING DIAGRAM

1. TURN SIGNAL LIGHT AND HAZARD LIGHT

<Ref. to WI-80, WIRING DIAGRAM, Turn Signal Light and Hazard Light System.>

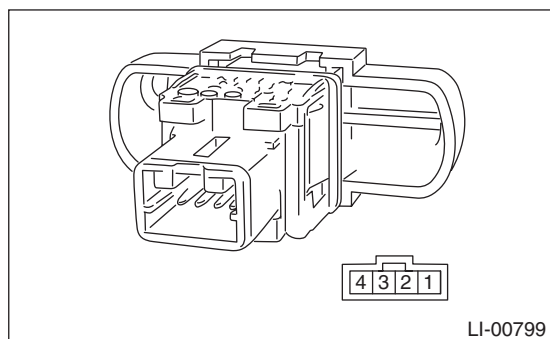
B: INSPECTION

1. TURN SIGNAL SWITCH

<Ref. to LI-10, INSPECTION, Combination Switch (Light).>

2. HAZARD SWITCH

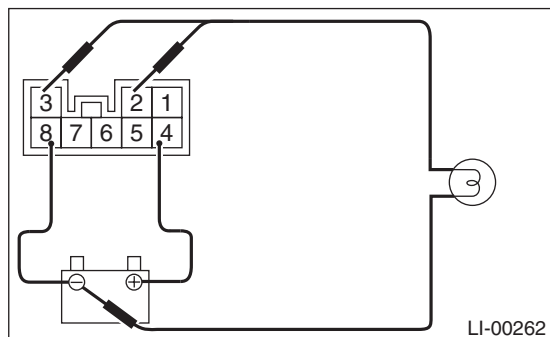
Measure the resistance between hazard switch terminals.



Switch position	Terminal No.	Standard
OFF	2 and 3	1 MΩ or more
ON		Less than 1 Ω

3. TURN SIGNAL AND HAZARD MODULE

Connect the battery and turn signal light bulb to the module. The module is properly functioning if it blinks when power is supplied to the circuit.



6. Back-up Light System

A: WIRING DIAGRAM

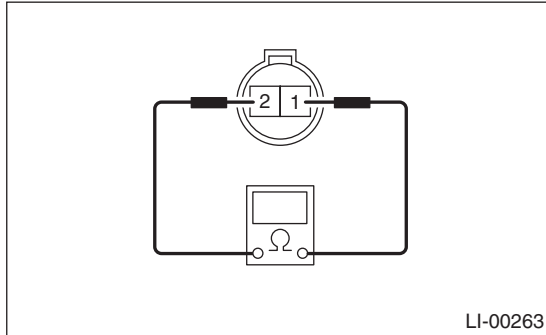
1. BACK-UP LIGHT

<Ref. to WI-73, WIRING DIAGRAM, Back-up Light System.>

B: INSPECTION

1. BACK-UP LIGHT SWITCH

Measure the resistance between the back-up light switch terminals.



Switch position	Terminal No.	Standard
When shift lever is set in reverse position	1 and 2	Less than 1 Ω
Other positions		1 MΩ or more

7. Stop Light System

A: WIRING DIAGRAM

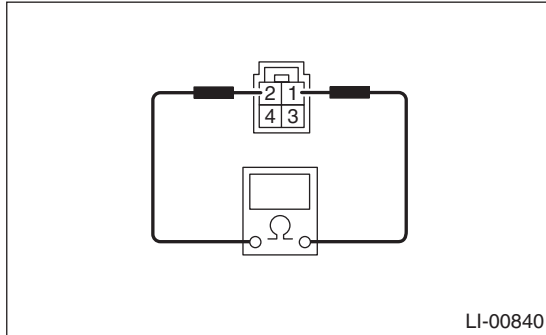
1. STOP LIGHT

<Ref. to WI-74, WIRING DIAGRAM, Stop Light System.>

B: INSPECTION

1. STOP LIGHT SWITCH

Measure the resistance between stop light switch terminals.



Switch position	Terminal No.	Standard
When brake pedal is depressed	1 and 2	Less than 1 Ω
When brake pedal is released		1 M Ω or more

8. Room Light System

A: WIRING DIAGRAM

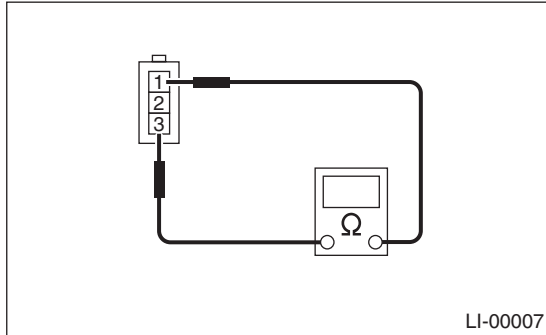
1. ROOM LIGHT

<Ref. to WI-83, WIRING DIAGRAM, Interior Light System.>

B: INSPECTION

1. DOOR SWITCH

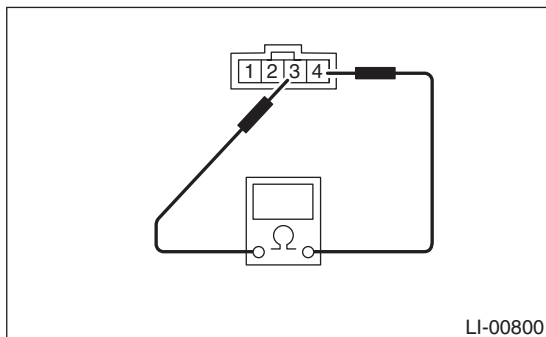
Measure the resistance between door switch terminals.



Switch position	Terminal No.	Standard
When door is opened	1 and 3	Less than 1 Ω
When door is closed		1 M Ω or more

2. REAR GATE LATCH SWITCH

Measure the resistance between rear gate latch switch terminals.



Switch position	Terminal No.	Standard
When rear gate is opened	3 and 4	Less than 1 Ω
When rear gate is closed		1 M Ω or more

Combination Switch (Light)

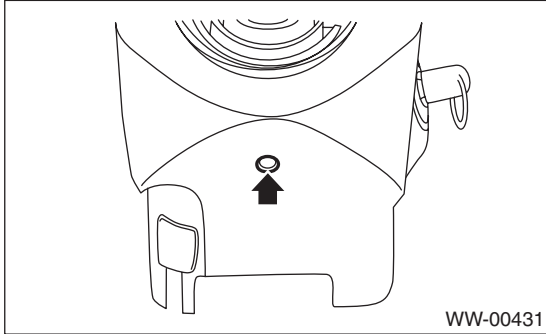
Brought to you by Eris Studios
NOT FOR RESALE

LIGHTING SYSTEM

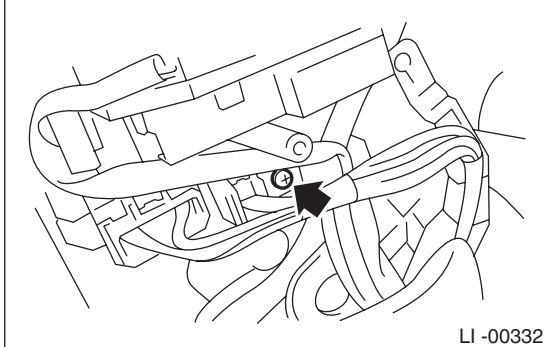
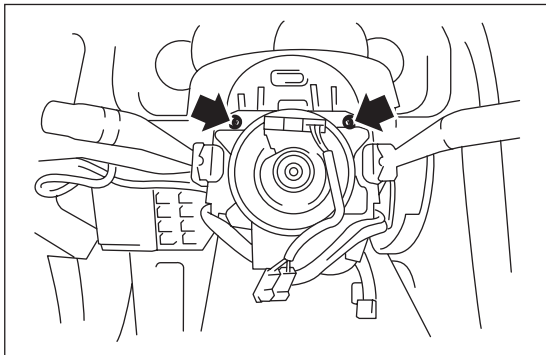
9. Combination Switch (Light)

A: REMOVAL

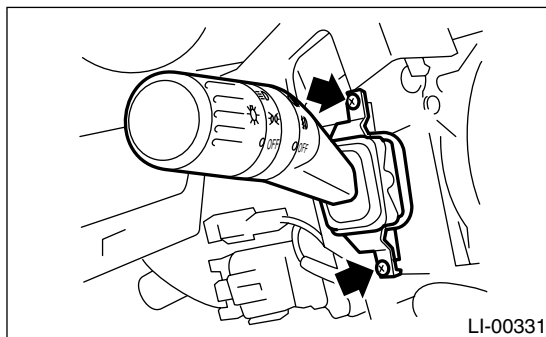
- 1) Disconnect the ground cable from the battery.
- 2) Remove the screws and remove the steering column covers (upper and lower).



- 3) Disconnect the connector from the combination switch.
- 4) Remove the three screws, and pull out the combination base switch assembly toward you.



- 5) Remove the screws which secure the switch, then remove the combination switch.

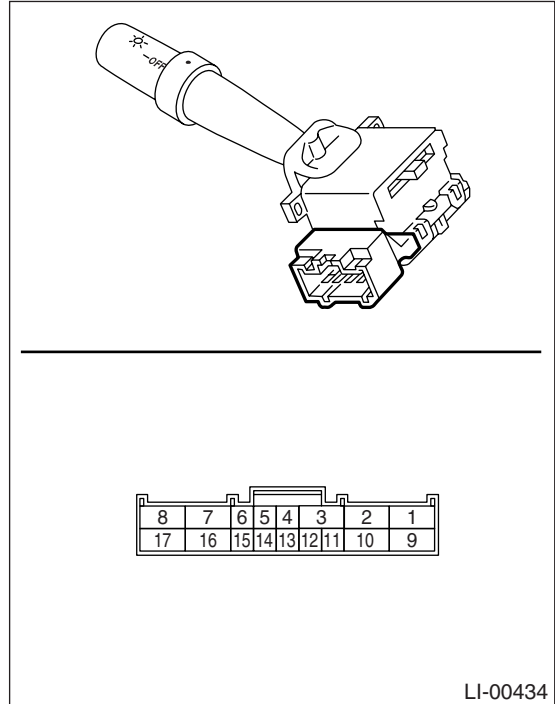


B: INSTALLATION

Install in the reverse order of removal.

C: INSPECTION

Measure the resistance between combination switch terminals.



1. LIGHTING SWITCH

Switch position	Terminal No.	Standard
OFF	—	1 MΩ or more
Tail	14 and 16	Less than 1 Ω
Head	13, 14 and 16	Less than 1 Ω

2. DIMMER & PASSING SWITCH

Switch position	Terminal No.	Standard
Passing	7, 8 and 16	Less than 1 Ω
High beam	7 and 16	Less than 1 Ω

3. TURN SIGNAL SWITCH

Switch position	Terminal No.	Standard
Left	1 and 2	Less than 1 Ω
Neutral	—	1 MΩ or more
Right	3 and 2	Less than 1 Ω

4. FRONT FOG LIGHT SWITCH

Switch position	Terminal No.	Standard
OFF	11 and 10	1 MΩ or more
ON		Less than 1 Ω

10. Headlight Beam Leveler System

A: WIRING DIAGRAM

1. HEADLIGHT BEAM ADJUSTMENT EQUIPMENT

<Ref. to WI-71, WIRING DIAGRAM, Headlight Beam Leveler System.>

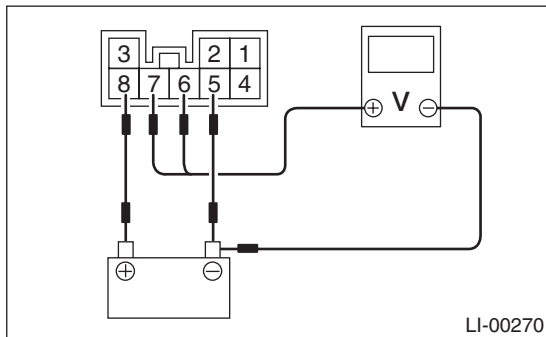
B: INSPECTION

1. HEADLIGHT BEAM LEVELER ACTUATOR

- 1) Turn on the headlight.
- 2) Change the switch position in the order of 0 → 1 → 2 → 3 → 4 → 5, and check that the headlight beam position is lowered.

2. HEADLIGHT BEAM LEVELER SWITCH

Connect the circuit tester to the battery and the headlight beam leveler switch connector. Measure the voltage at each switch position.

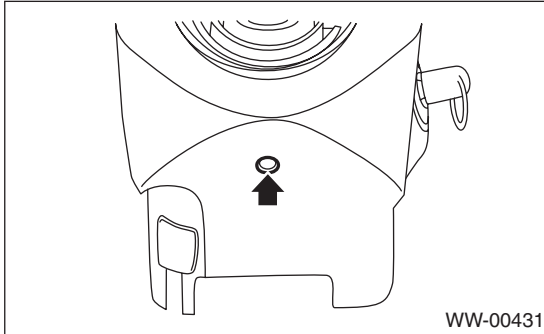


Switch position	Terminal No.	Standard
0	6, 7 (+) and battery (-)	84 — 89% of battery voltage
1		67 — 73% of battery voltage
2		51 — 57% of battery voltage
3		36 — 41% of battery voltage
4		21 — 26% of battery voltage
5		7 — 10% of battery voltage

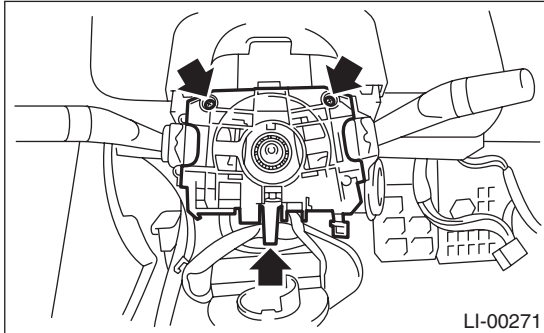
11. Combination Base Switch Assembly

A: REMOVAL

- 1) Remove the driver's airbag module. <Ref. to AB-16, REMOVAL, Driver's Airbag Module.>
- 2) Remove the steering wheel. <Ref. to PS-12, REMOVAL, Steering Wheel.>
- 3) Remove the screws, and remove the steering column lower cover.



- 4) Remove the combination switch. <Ref. to LI-10, REMOVAL, Combination Switch (Light).> <Ref. to WW-7, REMOVAL, Combination Switch (Wiper).>
- 5) Remove the four screws and remove the roll connector.
- 6) Remove the three screws.



- 7) Disconnect the connector and remove the combination base switch assembly.

B: INSTALLATION

- 1) Install in the reverse order of removal.
- 2) Before installing steering wheel, be sure to adjust the direction of roll connector with steering. <Ref. to AB-28, ADJUSTMENT, Roll Connector.>

C: INSPECTION

1. COMBINATION BASE SWITCH ASSEMBLY

Inspect the combination base switch assembly and roll connector for cracks or deformation. If any damage is found, replace with a new part.

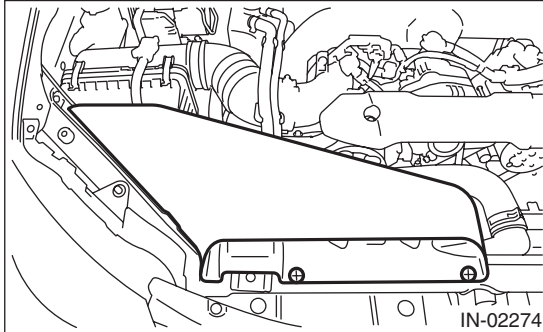
12. Headlight Assembly

A: REMOVAL

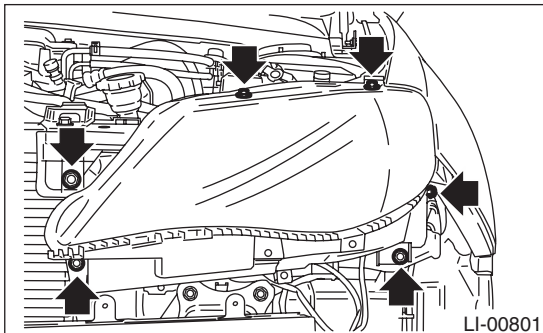
CAUTION:

- Do not work with wet hands.
- Because the lighting circuit on the HID headlights uses high voltage, be sure to confirm that the power supply is turned off before operation.

- 1) Disconnect the ground cable from the battery.
- 2) Remove the air intake duct. (When removing the headlight RH)



- 3) Remove the front bumper. <Ref. to EI-26, REMOVAL, Front Bumper.>
- 4) Disconnect harness connectors.
- 5) Remove the five bolts, disengage the clip, then detach the headlight assembly.



B: INSTALLATION

Install in the reverse order of removal.

Tightening torque:

7.5 N·m (0.76 kgf·m, 5.5 ft·lb)

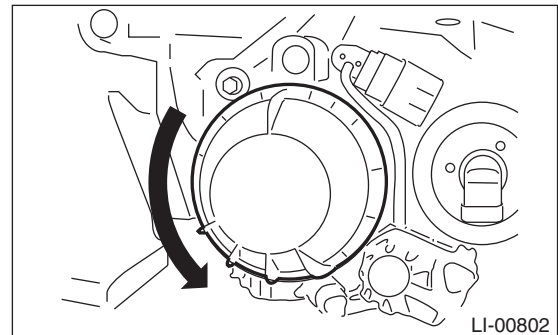
C: DISASSEMBLY

1. HID HEADLIGHT BALLAST

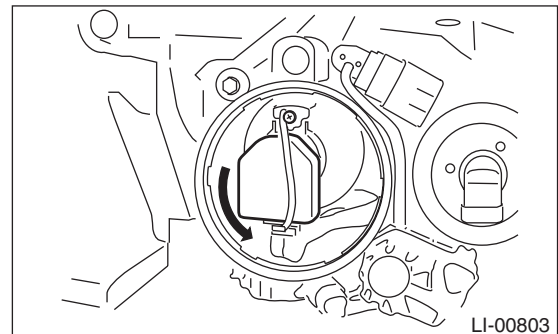
CAUTION:

- Do not work with wet hands.
- Because the lighting circuit on the HID headlights uses high voltage, be sure to confirm that the power supply is turned off before operation.
- Do not leave the headlight without a ballast for extended periods of time. Dust, moisture, etc. entering the headlight may affect its performance.

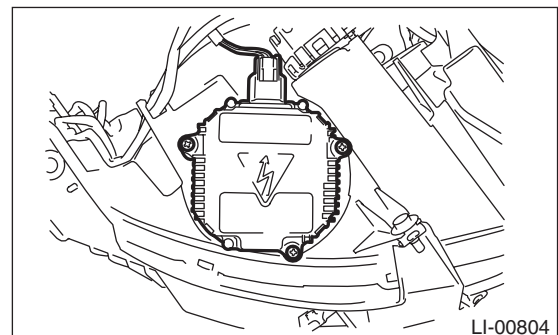
- 1) Disconnect the ground cable from the battery.
- 2) Remove the headlight assembly. <Ref. to LI-13, REMOVAL, Headlight Assembly.>
- 3) Remove the back cover.



- 4) Disconnect the harness connector.

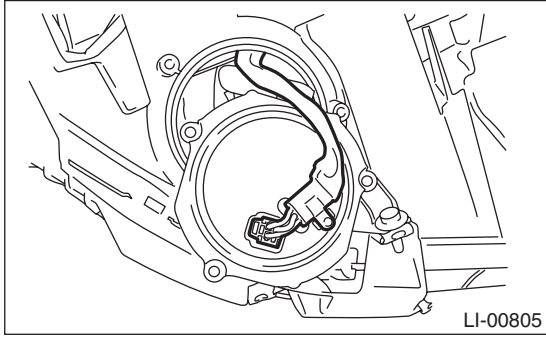


- 5) Disconnect the harness connector, loosen the screws, and remove the headlight ballast.



LIGHTING SYSTEM

6) Disconnect the connector from the headlight ballast.



D: ASSEMBLY

1. HID HEADLIGHT BALLAST

Install in the reverse order of removal.

Tightening torque:

1.3 N·m (0.13 kgf-m, 0.96 ft-lb)

CAUTION:

- When installing the ballast cover, be sure to install the gasket.
- After installing the ballast to the vehicle, be sure to perform beam adjustment

NOTE:

Adjust the projector lens to near the center of the extension opening before installing the ballast. This makes the beam adjustment work easier.

E: ADJUSTMENT

1. HEADLIGHT BEAM ADJUSTMENT

CAUTION:

Turn off the light before adjusting the headlight beam level. If it is necessary to inspect the beam level, do not keep the light on for two minutes or more.

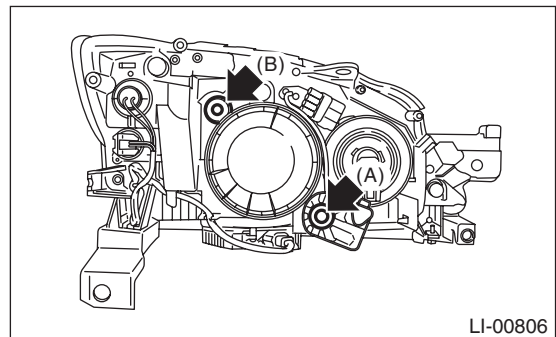
NOTE:

Before checking the headlight beam level, be sure of the following:

- Check the area around the headlight for any scratches, damage or other types of deformation.
 - Make sure that the vehicle is parked on a level surface.
 - Make sure that the inflation pressure of tires are correct.
 - Make sure that the vehicle fuel tank is full.
- 1) Bounce the vehicle several times to normalize the suspension.
 - 2) Make certain that someone is seated in the driver's seat.
 - 3) Measure the distance between the low beam bulb centers, and the height of the bulb center.
 - 4) Turn the headlights on and then adjust the low beam pattern.

NOTE:

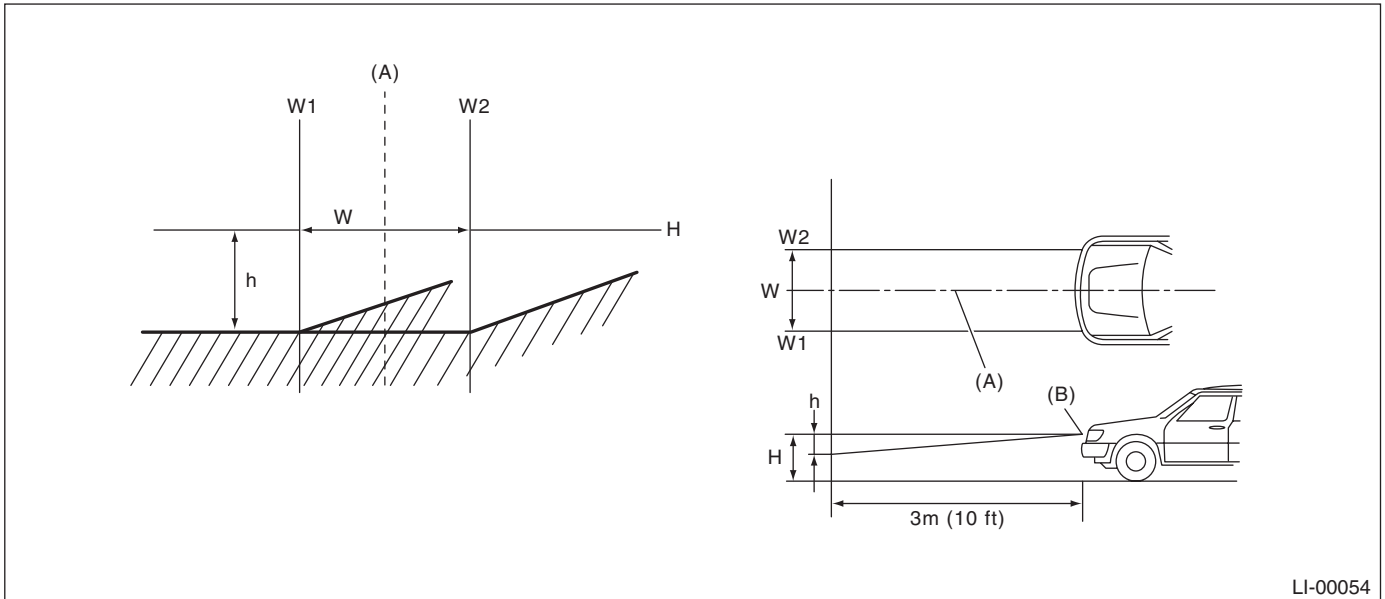
- For vehicle with a manual leveler, set the headlight beam leveler switch to the "0" position.
- First adjust the vertical beam level (A), then the horizontal beam level (B).



Headlight Assembly

LIGHTING SYSTEM

Brought to you by
NOT FOR SALE
Scribbr Studios



LI-00054

(A) Vehicle center

(B) Bulb center marking

W mm (in)	h mm (in) at 3 m (10 ft)
1,160 (45,67)	30 (1.19)

13. Headlight Bulb

A: REMOVAL

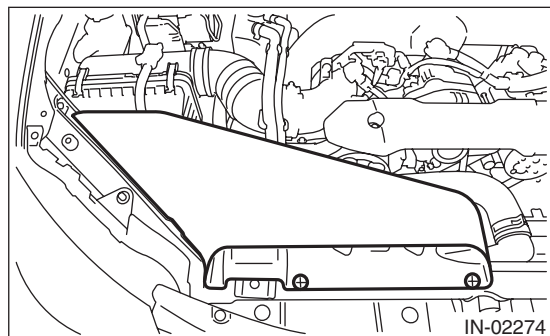
1. HIGH BEAM

CAUTION:

- Because the halogen bulb operates at a high temperature, dirt and oil on the bulb surface reduces the bulb's service life. Hold the flange portion when replacing the bulb. Never touch the glass portion.
- Do not leave the headlight without a bulb for a long time. Dust, moisture, etc. entering the headlight may affect its performance.

- Do not leave the headlight without a bulb for a long time. Dust, moisture, etc. entering the headlight may affect its performance.

- 1) Disconnect the ground cable from the battery.
- 2) Remove the air intake duct. (When removing the headlight bulb RH).

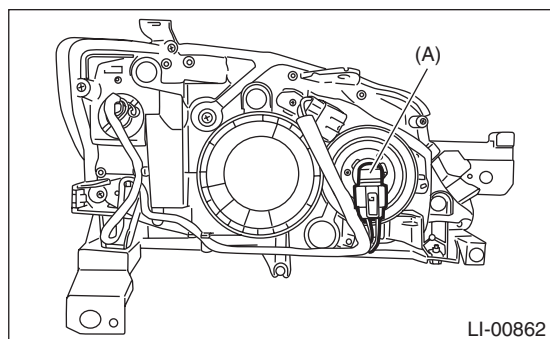


- 3) Remove the battery cover. (When removing the headlight bulb LH)

- 4) Tilt the washer tank filler neck. (When removing the headlight bulb LH)

- 5) Disconnect the harness connector.

- 6) Remove the bulb assembly (A) then remove the high beam.



2. HID TYPE LOW BEAM

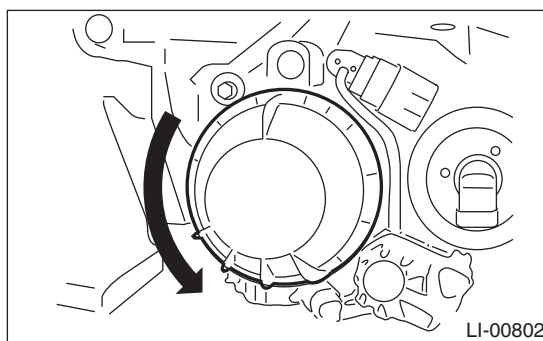
CAUTION:

- Do not work with wet hands.
- Because the lighting circuit uses high voltage, be sure to confirm that the power supply is turned off before operation.

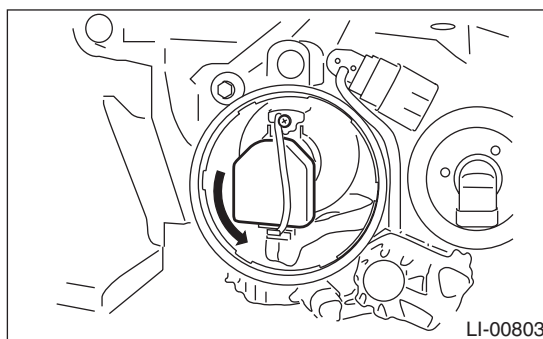
- When replacing the bulb, hold the flange portion, and never touch the glass.

- Do not leave the headlight without a bulb for a long time. Dust, moisture, etc. entering the headlight may affect its performance.

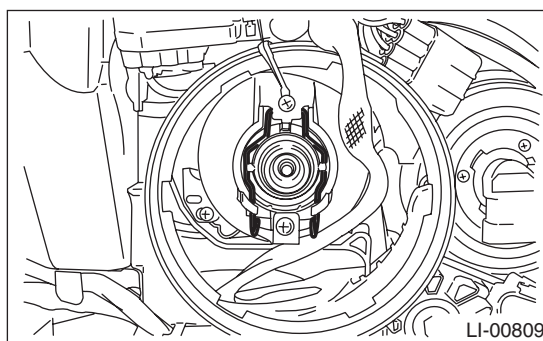
- 1) Disconnect the ground cable from the battery.
- 2) Remove the headlight assembly. <Ref. to LI-13, REMOVAL, Headlight Assembly.>
- 3) Remove the back cover.



- 4) Disconnect the harness connector.



- 5) Remove the light bulb retaining spring, and remove the bulb.



B: INSTALLATION

Install in the reverse order of removal.

C: INSPECTION

1. HALOGEN TYPE

- 1) Visually check the bulb for blow out.
- 2) Check the bulb specification.
<Ref. to LI-2, SPECIFICATION, General Description.>
- 3) If NG, replace the bulb with a new part.

2. HID TYPE

CAUTION:

- Do not work with wet hands.
- Do not touch the harness, inner headlight, or any metallic portion of the headlight when the light is illuminated (when the lighting switch is turned on).
- When performing a lighting test, make sure that the headlight is mounted on the vehicle, and that the power supply is connected to the connector on the vehicle side.

- 1) Check the bulb specification.
<Ref. to LI-2, SPECIFICATION, General Description.>
- 2) Install a SUBARU genuine HID bulb to test whether it lights properly.
- 3) If the headlight does not illuminate, replace the bulb with a new part.
- 4) Check the HID ballast.

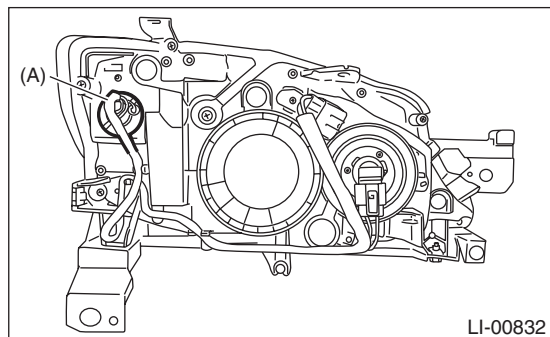
Check the ballast in the following methods, and judge whether or not it can be reused.

- (1) Perform the cold start (turning on the lights after the headlights have been off for 10 minutes or more) and hot start (turning on the headlights for 15 minutes or more → turning off the lights for one minute → turning on the lights again) several times and check if the headlights illuminate properly.
 - (2) Check the lighting condition immediately after the cold start until stable (approx. 5 min.), to make sure that an unstable condition (flicker etc.) does not occur.
 - (3) Attach two bulbs with equal amounts of operating hours to the right and left headlights, and light the headlights for approx. 30 minutes. Check to make sure that there is no difference in brightness between the right and left headlights.
- 5) If NG, replace the ballast with a new part.

14. Front Turn Signal Light Bulb

A: REMOVAL

- 1) When removing the turn signal light bulb, fully turn the steering wheels to opposite direction from the turn signal light bulb to remove.
- 2) Turn the mud guard inward.
- 3) Turn socket (A) from the wheel arch, and remove the front turn signal light bulb.



B: INSTALLATION

Install in the reverse order of removal.

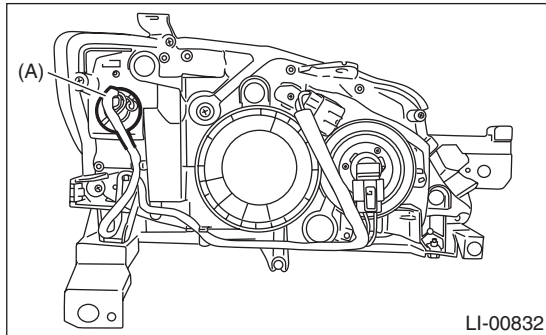
C: INSPECTION

- 1) Visually check the bulb for blow out.
- 2) Check the bulb specification.
<Ref. to LI-2, SPECIFICATION, General Description.>
- 3) If NG, replace the bulb with a new part.

15. Clearance/Parking Light Bulb

A: REMOVAL

- 1) When removing the clearance light / parking light bulb, fully turn the steering wheels to opposite direction from the bulb to remove.
- 2) Turn the mud guard inward.
- 3) Turn socket (A) from the wheel arch, and remove the clearance light / parking light bulb.



B: INSTALLATION

Install in the reverse order of removal.

C: INSPECTION

- 1) Visually check the bulb for blow out.
- 2) Check the bulb specification. <Ref. to LI-2, SPECIFICATION, General Description.>
- 3) If NG, replace the bulb with a new part.

Front Fog Light Assembly

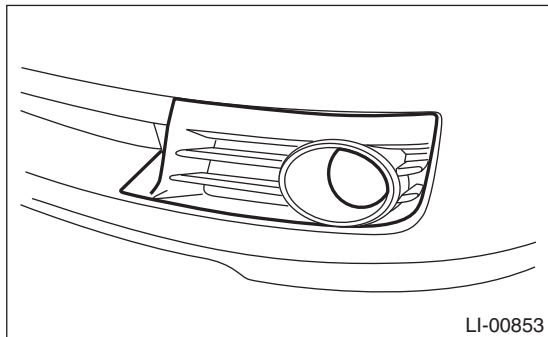
LIGHTING SYSTEM

Brought to you by Eris Studios
NOT FOR RESALE

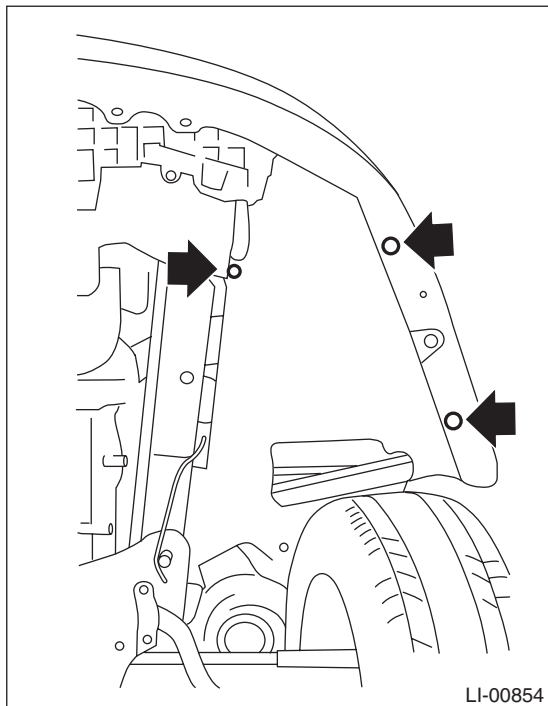
16. Front Fog Light Assembly

A: REMOVAL

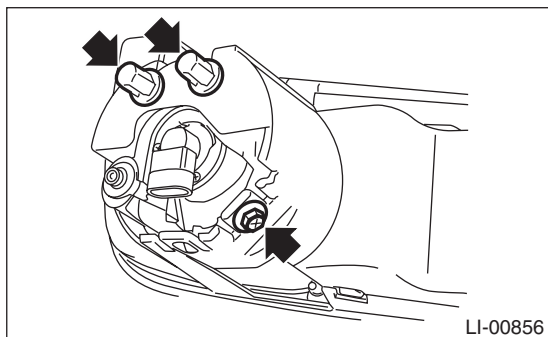
- 1) Disconnect the ground cable from the battery.
- 2) Remove the fog light cover.



- 3) Disengage the three clips, and then turn over the mud guard.



- 4) Disconnect the harness connector.
- 5) Remove the plastic nut and bolt, and then detach the fog light assembly.



B: INSTALLATION

Install in the reverse order of removal.

Tightening torque:

Bolt:

7.5 N·m (0.76 kgf·m, 5.5 ft·lb)

C: ADJUSTMENT

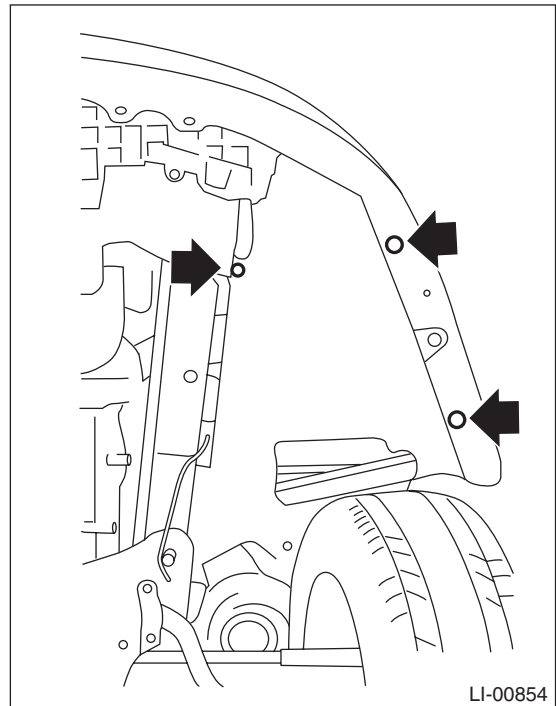
1. FOG LIGHT AIMING

NOTE:

Before checking the fog light beam level, make sure the following:

- The area around the fog light has not sustained any accident, damage or other type of deformation.
- Make sure that the vehicle is parked on a level surface.
- Make sure that the inflation pressure of tires are correct.
- Make sure that the vehicle fuel tank is full.

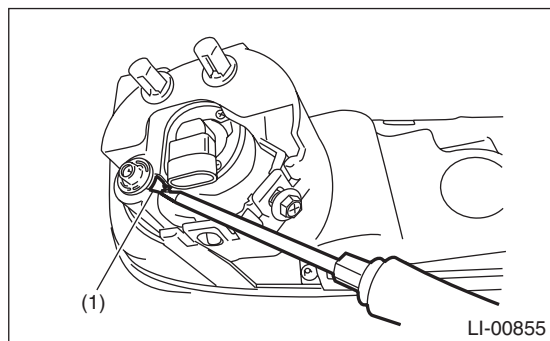
- 1) Bounce the vehicle two to three times to normalize the suspension.
- 2) Make certain that someone is seated in the driver's seat.
- 3) Disengage the three clips, and then turn over the mud guard.



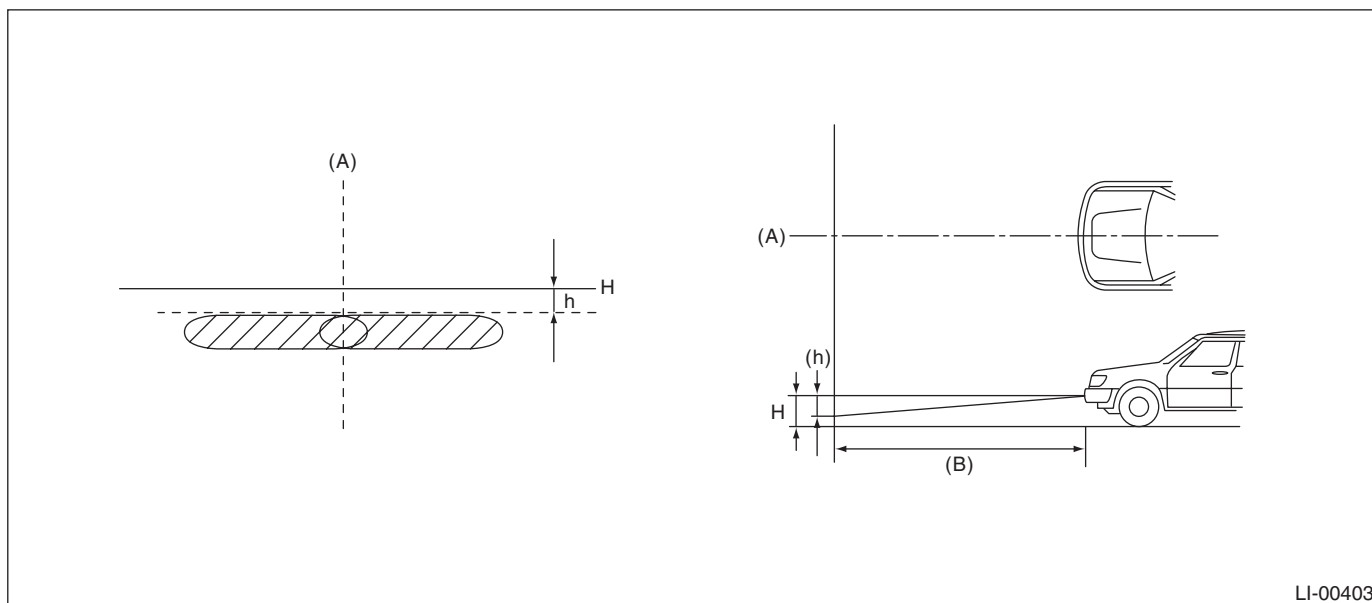
Front Fog Light Assembly

Brought to you by *Meris Studios*
NOT FOR SALE

4) Adjust the front fog light pattern by inserting a Philips screwdriver to the adjusting hole.



(1) Adjusting hole



LI-00403

(A) Vehicle center

(B) 3 m (10 ft)

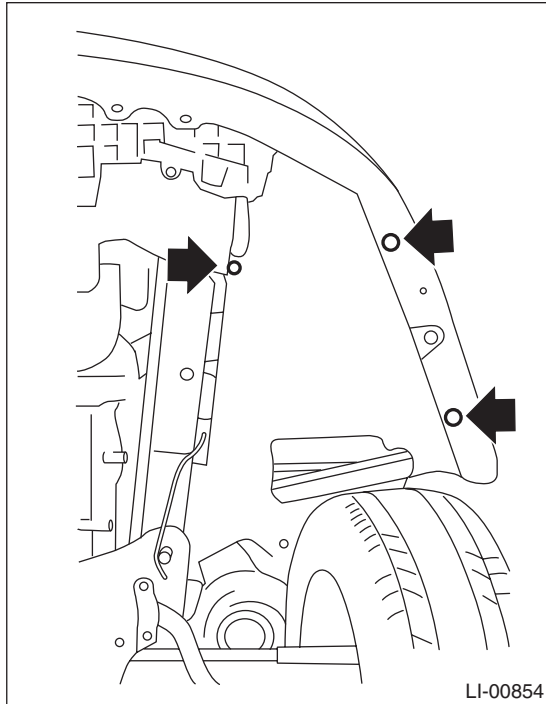
(H) Height of fog light center

h mm (in) at 3 m (10 ft)
60 (2.38)

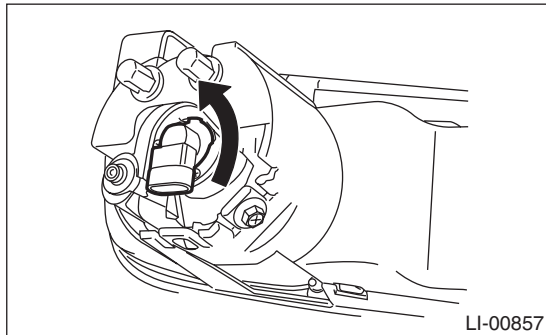
17. Front Fog Light Bulb

A: REMOVAL

- 1) Disconnect the ground cable from the battery.
- 2) Disengage the three clips, and then turn over the mud guard.



- 3) Disconnect the harness connector.
- 4) Rotate the bulb then detach the fog light bulb.



B: INSTALLATION

Install in the reverse order of removal.

C: INSPECTION

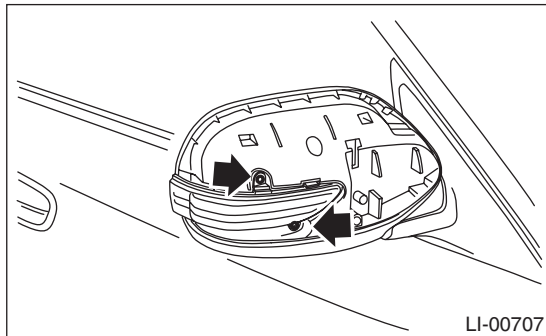
- 1) Visually check the bulb for blow out.
- 2) Check the bulb specification. <Ref. to LI-2, SPECIFICATION, General Description.>
- 3) If NG, replace the bulb with a new part.

Brought to you by
NOT FOR SALE
Ergo Studios

18. Side Turn Signal Light Assembly

A: REMOVAL

- 1) Disconnect the ground cable from the battery.
- 2) Remove the scalp cap. <Ref. to GW-13, REPLACEMENT, Scalp Cap.>
- 3) Remove the mirror. <Ref. to GW-15, REPLACEMENT, Outer Mirror.>
- 4) Disconnect the harness connector and remove the two mounting screws and side turn signal light assembly.



B: INSTALLATION

Install in the reverse order of removal.

Tightening torque:

0.8 N·m (0.08 kgf·m, 0.59 ft·lb)

C: INSPECTION

- 1) Install the side turn signal light assembly and check that it blinks normally.
- 2) If it does not blink normally, replace the side turn signal light assembly with a new part.

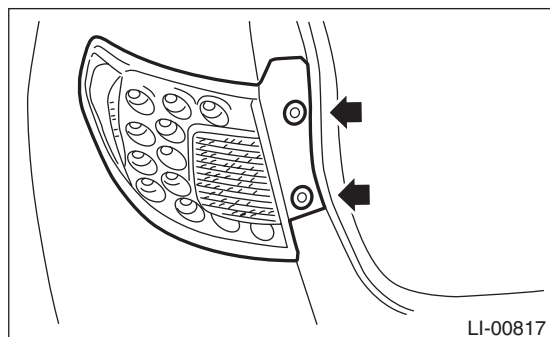
NOTE:

Since LED (Light Emitting Diode) is used for the side turn signal light, replace the side turn signal light assembly if the LED burns out.

19. Rear Combination Light Assembly

A: REMOVAL

- 1) Disconnect the ground cable from the battery.
- 2) Remove the two bolts, and then detach the rear combination light by pulling it to the rear side of vehicle.



- 3) Disconnect the harness connector and rear combination light.

B: INSTALLATION

Install in the reverse order of removal.

Tightening torque:

7.5 N·m (0.76 kgf-m, 5.5 ft-lb)

C: INSPECTION

NOTE:

Since LED (Light Emitting Diode) is used for the tail light / stop light bulb, replace the rear combination light assembly if the LED burns out.

20. Tail/Stop Light Bulb

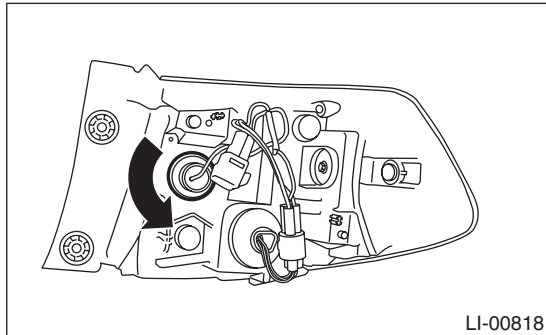
A: NOTE

Since LED (Light Emitting Diode) is used for the tail light / stop light bulb, replace the rear combination light assembly if the LED burns out.

21.Rear Turn Signal Light Bulb

A: REMOVAL

- 1) Remove the rear combination light assembly.
<Ref. to LI-24, REMOVAL, Rear Combination Light Assembly.>
- 2) Turn the socket and remove the bulb.



B: INSTALLATION

Install in the reverse order of removal.

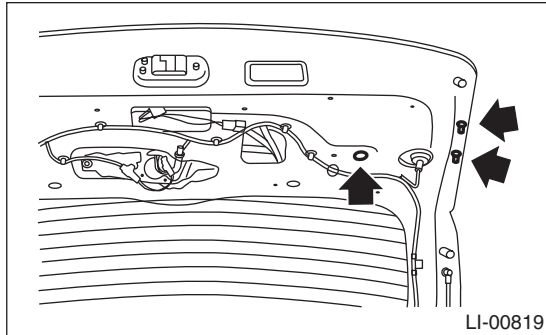
C: INSPECTION

- 1) Visually check the bulb for blow out.
- 2) Check the bulb specification. <Ref. to LI-2, SPECIFICATION, General Description.>
- 3) If NG, replace the bulb with a new part.

22. Rear Finisher Light Assembly

A: REMOVAL

- 1) Remove the rear gate trim. <Ref. to EI-55, REMOVAL, Rear Gate Trim.>
- 2) Disconnect the harness connector.
- 3) Remove the attachment nuts and remove the rear finisher light assembly.



B: INSTALLATION

Install in the reverse order of removal.

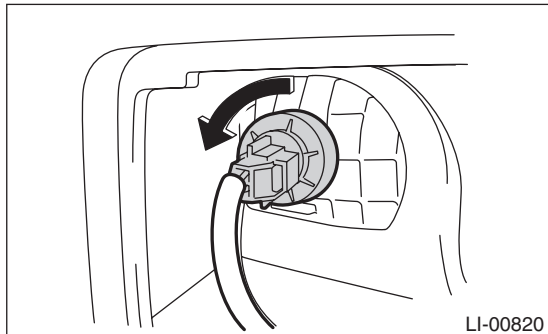
Tightening torque:

4.5 N·m (0.46 kgf·m, 3.3 ft·lb)

23.Back-up Light Bulb

A: REMOVAL

- 1) Remove the bulb inspection cover of the rear gate trim.
- 2) Turn the socket and remove the bulb.



B: INSTALLATION

Install in the reverse order of removal.

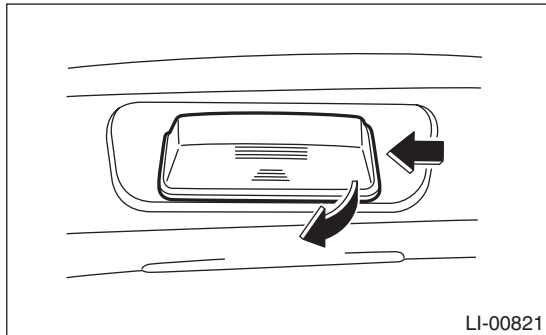
C: INSPECTION

- 1) Visually check the bulb for blow out.
- 2) Check the bulb specification. <Ref. to LI-2, SPECIFICATION, General Description.>
- 3) If NG, replace the bulb with a new part.

24. License Plate Light

A: REMOVAL

1) Remove the license plate light while pushing it to the left and pulling it.



2) Remove the bulb.

B: INSTALLATION

Install in the reverse order of removal.

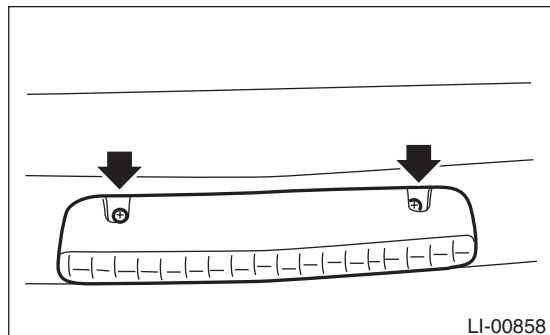
C: INSPECTION

- 1) Visually check the bulb for blow out.
- 2) Check the bulb specification. <Ref. to LI-2, SPECIFICATION, General Description.>
- 3) If NG, replace the bulb with a new part.

25.High-mounted Stop Light

A: REMOVAL

- 1) Disconnect the ground cable from the battery.
- 2) Remove the roof spoiler. <Ref. to EI-36, REMOVAL, Roof Spoiler.>
- 3) Remove the caps and screws, then detach the high-mounted stop light.



B: INSTALLATION

Install in the reverse order of removal.

Tightening torque:

1.5 N·m (0.15 kgf·m, 1.1 ft·lb)

C: INSPECTION

- 1) Install the high-mounted stop light to test if it illuminates normally.
- 2) If the high-mounted stop light does not illuminate, replace it with a new part.

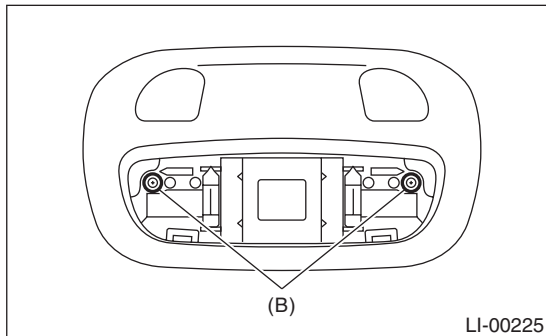
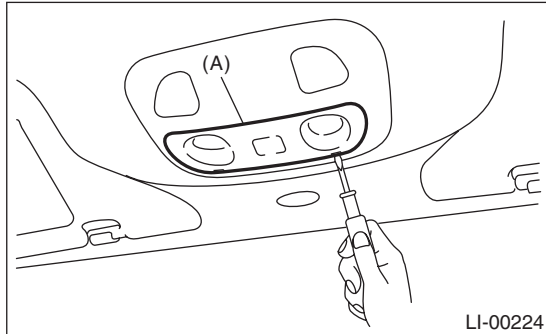
NOTE:

Since LED (Light Emitting Diode) is used for the high-mounted stop light, replace the high-mounted stop light assembly if the LED burns out.

26. Spot Map Light

A: REMOVAL

- 1) Disconnect the ground cable from the battery.
- 2) Remove the lens (A) and spot map light mounting screws (B).



- 3) Disconnect the harness connectors and remove the spot map light.

B: INSTALLATION

Install in the reverse order of removal.

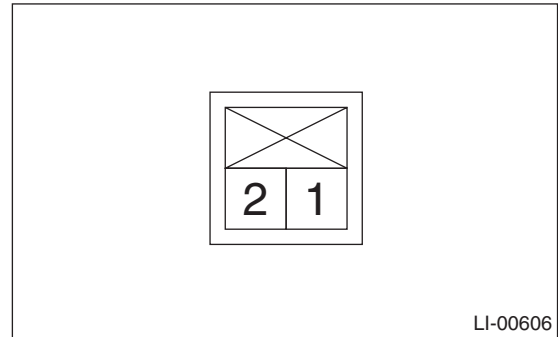
C: INSPECTION

1. SPOT MAP LIGHT BULB

- 1) Visually check the bulb for blow out.
- 2) Check the bulb specification. <Ref. to LI-2, SPECIFICATION, General Description.>
- 3) If NG, replace the bulb with a new part.

2. SPOT MAP LIGHT SWITCH

Measure the spot map light resistance.

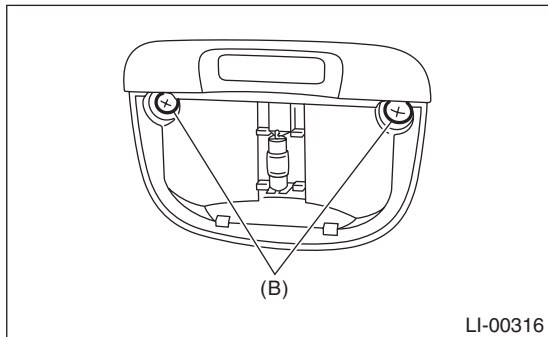
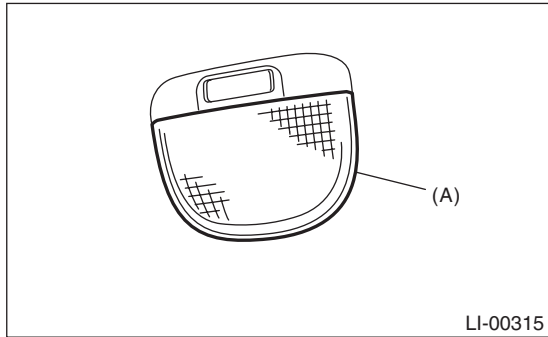


Switch position	Terminal No.	Standard
OFF	1 and 2	1 MΩ or more
ON	1 and 2	18±5.4 Ω

27. Room Light

A: REMOVAL

- 1) Disconnect the ground cable from the battery.
- 2) Remove the lens (A) and mounting screws (B).



- 3) Disconnect the harness connector and remove the room light.

B: INSTALLATION

Install in the reverse order of removal.

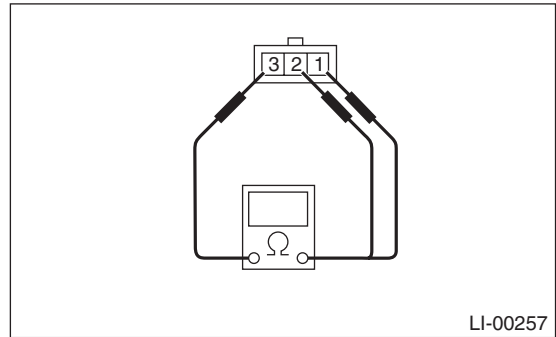
C: INSPECTION

1. ROOM LIGHT BULB

- 1) Visually check the bulb for blow out.
- 2) Check the bulb specification. <Ref. to LI-2, SPECIFICATION, General Description.>
- 3) If NG, replace the bulb with a new part.

2. ROOM LIGHT SWITCH

Measure the resistance between room light switch terminals.

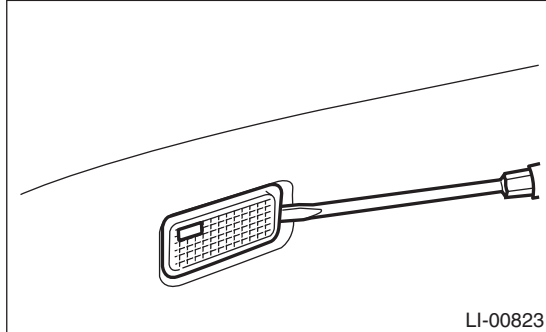


Switch position	Terminal No.	Standard
OFF	—	1 MΩ or more
ON	1 and 3	1.5±0.5 Ω
DOOR	2 and 3	1.5±0.5 Ω

28. Luggage Room Light

A: REMOVAL

- 1) Disconnect the ground cable from the battery.
- 2) Insert a flat tip screwdriver into the edge of the luggage room light body to remove the lens.



- 3) Disconnect the harness connector and remove the lens.

B: INSTALLATION

Install in the reverse order of removal.

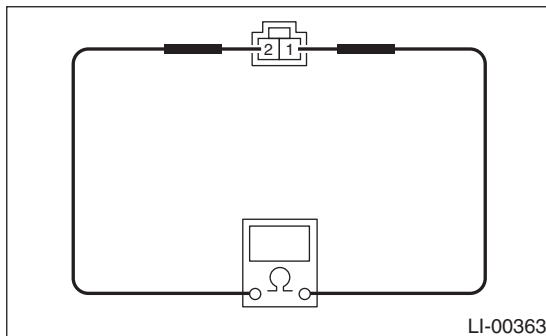
C: INSPECTION

1. LUGGAGE ROOM LIGHT BULB

- 1) Visually check the bulb for blow out.
- 2) Check the bulb specification. <Ref. to LI-2, SPECIFICATION, General Description.>
- 3) If NG, replace the bulb with a new part.

2. LUGGAGE ROOM LIGHT SWITCH

Measure the resistance between luggage room light switch terminals.

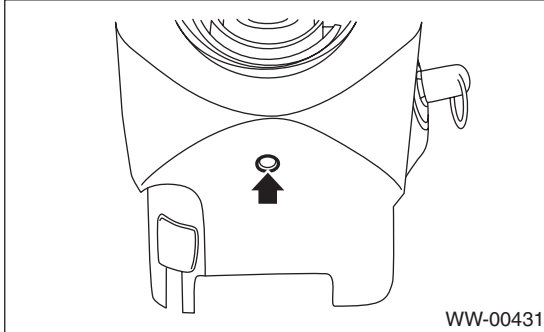


Switch position	Terminal No.	Standard
OFF	1 and 2	1 MΩ or more
ON		Less than 1 Ω

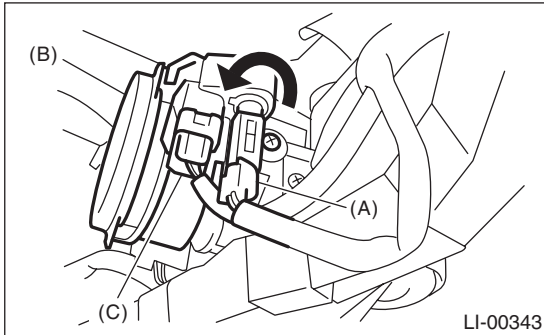
29. Ignition Switch Illumination

A: REMOVAL

- 1) Disconnect the ground cable from the battery.
- 2) Remove the screws, and detach the upper column cover and lower column cover.



- 3) Remove the instrument panel lower cover. <Ref. to EI-41, REMOVAL, Instrument Panel Lower Cover.>
- 4) Disconnect the ignition switch illumination connector (A).
- 5) Turn the ignition switch illumination connector to the left and disconnect it.



- (A) Ignition switch illumination connector
- (B) Ignition switch illumination
- (C) Immobilizer antenna connector

B: INSTALLATION

Install in the reverse order of removal.

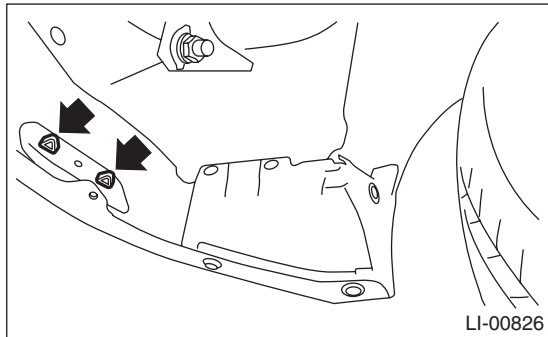
C: INSPECTION

	Step	Check	Yes	No
1	CHECK THE IGNITION SWITCH ILLUMINATION. Make sure the ignition switch illumination illuminates when driver's side door is open.	Does the ignition switch illumination illuminate?	Ignition switch illumination is normal.	Go to step 2.
2	CHECK THE IGNITION SWITCH ILLUMINATION. Make sure the ignition switch illumination blinks when the ignition switch is turned to ON.	Does the ignition switch illumination blink?	Check the function setting of body integrated unit. <Ref. to LAN(diag)-2, Basic Diagnostic Procedure.>	Check the ignition switch illumination circuit. <Ref. to SL-21, CHECK IGNITION SWITCH ILLUMINATION, INSPECTION, Keyless Entry System.>

30. Reflex Reflector

A: REMOVAL

1) Remove the reflex reflector by pressing the claw of the reflex reflector from the backside of bumper.



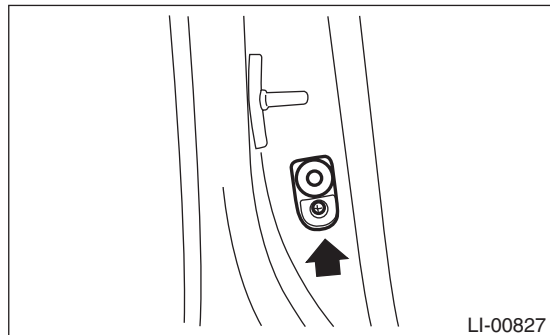
B: INSTALLATION

Install in the reverse order of removal.

31. Door Switch

A: REMOVAL

- 1) Disconnect the ground cable from the battery.
- 2) Remove the screw, and pull out the door switch.



- 3) Disconnect the harness connector.

B: INSTALLATION

Install in the reverse order of removal.

C: INSPECTION

Refer to the door switch inspection of the room light system. <Ref. to LI-9, DOOR SWITCH, INSPECTION, Room Light System.>