

Brought to you by Eris Studios
NOT FOR RESALE

IDENTIFICATION

IDENTIFICATION

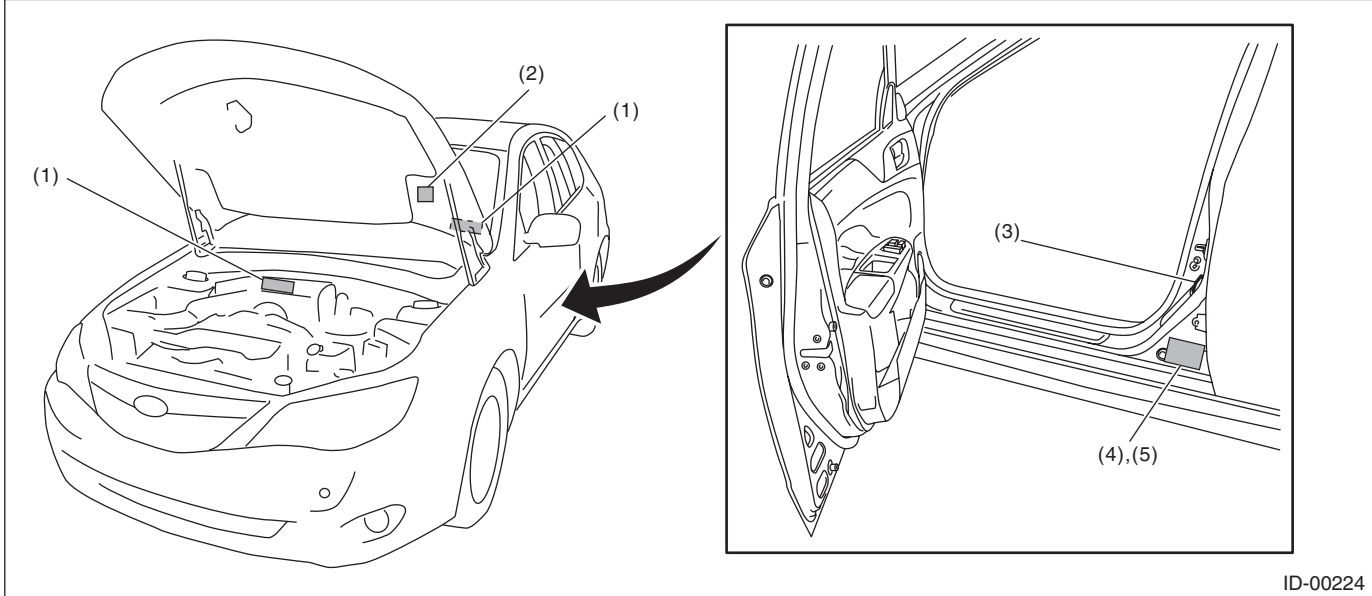
1. Identification

A: IDENTIFICATION

1. IDENTIFICATION NUMBER & LABEL LOCATIONS

The V.I.N. (Vehicle Identification Numbers) is used to classify the vehicle.

- POSITIONING OF THE LABEL FOR IDENTIFICATION



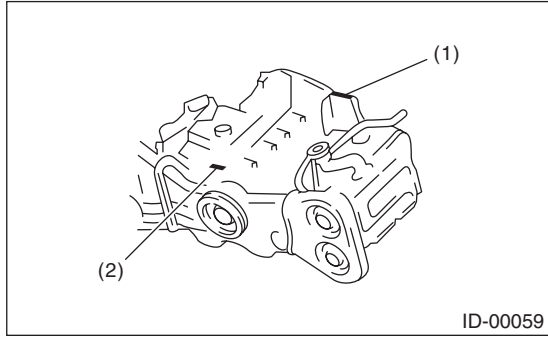
ID-00224

- (1) Vehicle identification number (V.I.N.)
- (2) Emission control label

- (3) Tire inflation pressure label
- (4) MVSS label (Apply on the left side of center pillar outer)

- (5) Model number label (Apply on the right side of center pillar outer)

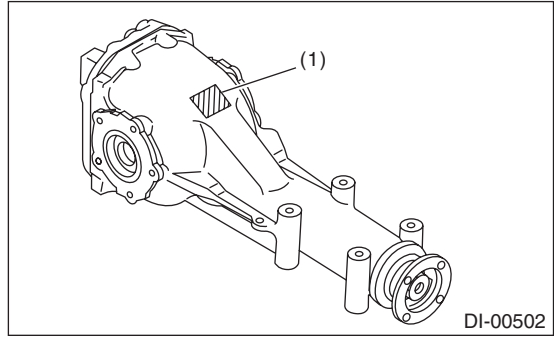
• ENGINE



ID-00059

- (1) Engine serial number
- (2) Engine type (crankcase upper side)

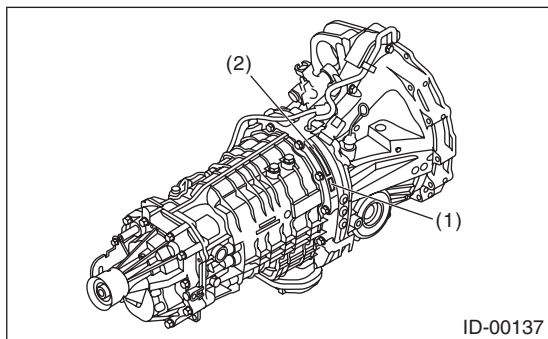
• REAR DIFFERENTIAL



DI-00502

- (1) Identification (white paint)

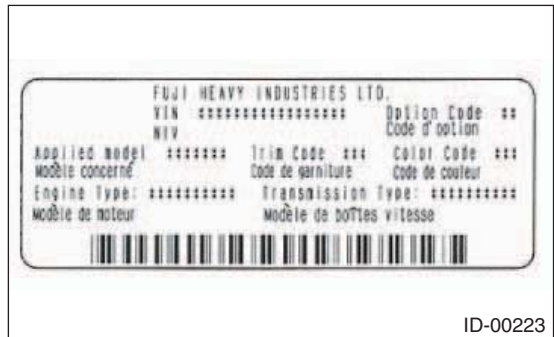
• MANUAL TRANSMISSION



ID-00137

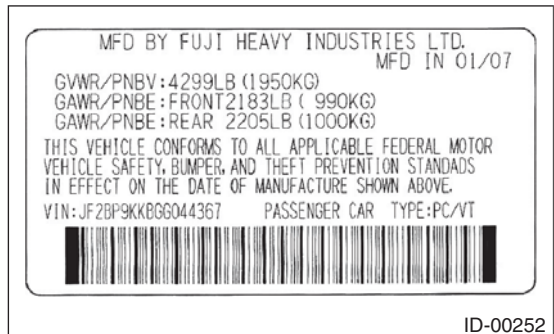
- (1) Transmission serial number
- (2) MT type label

• Model number label



ID-00223

• MVSS label



ID-00252

2. MEANING OF V.I.N.

The meaning of the V.I.N. is as follows:

JF1GR896X8L800001

The large parentheses ([]) located in front and back are stop marks.

Digits	Code	Meaning	Details
1 — 3	JF1	Manufacturer body area	JF1: Passenger car, FHI made
4	G	Car line	G: IMPREZA
5	R	Body type	R: 5 door wide body
6	8	Displacement	8: 2.5 L AWD High power turbo
7	9	Grade	9: WRX STI
8	6	Restraint	6: Manual belts, dual airbag, side airbag
9	X	Check digit	0 — 9&X
10	8	Model year	8: 2008MY
11	L	Transmission type	L: Full-time AWD 6MT
12 — 17	800001	Serial number	800001 —

Identification

Brought to you by Eris Studios
NOT FOR RESALE

IDENTIFICATION

3. MODEL NUMBER LABEL

The model number label indicates: the applied model, the option code, the trim code, the engine type, the transmission type, and the exterior color code. This information is helpful when placing orders for parts.

GRFAYEH

Digits	Code	Meaning	Details
1	G	Series	G: IMPREZA
2	R	Body type	R: 5 door wide body
3	F	Engine displacement Drive system Suspension system	F: 2.5 L AWD High power turbo
4	A	Model year	A: 2008MY
5	Y	Destination	Y: U.S., Canada
6	E	Grade	E: WRX STI
7	H	Transmission, fuel feed system	H: MFI High power turbo 6MT AWD

The engine and transmission type are as follows.

ENGINE

EJ257BG1LB

Digits	Code	Meaning	Details
1 and 2	EJ	Engine type	EJ: 4 cylinder
3 and 4	25	Displacement	25: 2.5 L
5	7	Fuel feed system	7: MFI High power turbo
6	B	Exhaust regulations	B: U.S. (FED, CAL)
7	G	Transmission	G: 6MT
8	1	Minor change	1: 1 is stamped on the engine.
9 — 10	LB	Detailed specifications	Used when ordering parts. See the parts catalog for details.

TRANSMISSION (MT)

TY856UW1MA

Digits	Code	Meaning	Details
1	T	Transmission	T: Transmission
2	Y	Transmission system	Y: Full-time AWD MT center differential
3 and 4	85	Classification	85: 6MT
5	6	Series	6: 6MT
6	U	Transmission specifications	U: Center differential full-time AWD 6MT
7	W	Mounted engine	W: 925 DOHC turbo
8	1	Minor change	1: Start after 2 → 3
9	M	Detailed specifications	Specification difference over the transmission
10	A	Detailed specifications	Specification difference over the engine and body

REAR DIFFERENTIAL

H3

Identification	Reduction gear ratio	LSD
H3	3.545	Torsen

Identification

Brought to you by
 NOT FOR RESALE
 IDENTIFICATION
 Brought to you by
 Chris Studios

Option code

U4JP

Digits	Code	Meaning	Details
1 — 2	U4	Destination	C4: Mexico CO: Canada U4: U.S. (FED, CAL)
3 — 4	JP	Main optional parts of the vehicle	See the following table.

- 3rd digit

OP code	A	B	D	E	G	H	J	K	P	Q
18 in Tire & Aluminum wheel (casting)	○	○	—	—	—	—	—	—	—	—
18 in Tire & Aluminum wheel (BBS) Silver	—	—	○	○	—	○	—	—	—	○
18 in Tire & Aluminum wheel (BBS) Gold	—	—	—	—	○	—	○	○	○	—
Navigation	—	○	—	○	—	—	—	○	○	○
Satellite tuner	—	—	—	—	○	○	—	—	○	○

- 4th digit

OP code	D	P	T
Cold weather package	○	—	○
Front fog light	—	○	○
Seat heater	○	—	○

Identification

IDENTIFICATION

Brought to you by Eris Studios
NOT FOR RESALE