

16. Cam Sprocket

A: REMOVAL

1. CAM SPROCKET RH

NOTE:

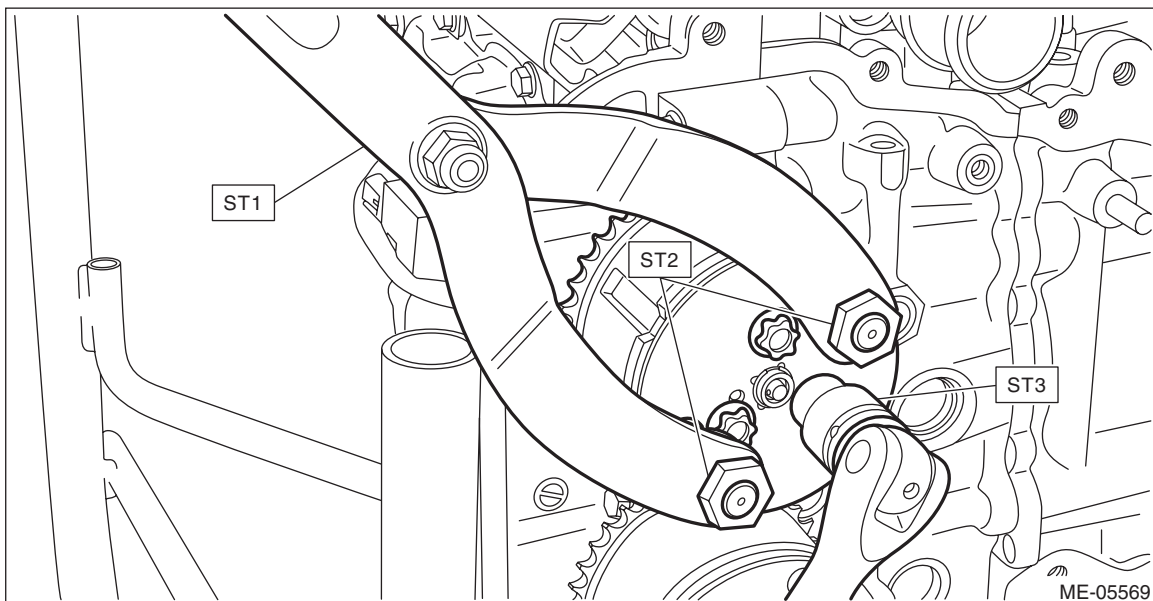
When replacing a single part, perform the work with the engine assembly installed to body.

• **Intake cam sprocket RH**

- 1) Remove the chain cover. <Ref. to ME(H4DO)-92, REMOVAL, Chain Cover.>
- 2) Remove the timing chain RH. <Ref. to ME(H4DO)-108, TIMING CHAIN RH, REMOVAL, Timing Chain Assembly.>

3) Hold the intake cam sprocket RH using the ST1 and ST2, and remove the bolts using the ST3.

- ST1 18355AA000 PULLEY WRENCH
 ST2 18334AA030 PULLEY WRENCH PIN SET
 ST3 18270KA010 SOCKET



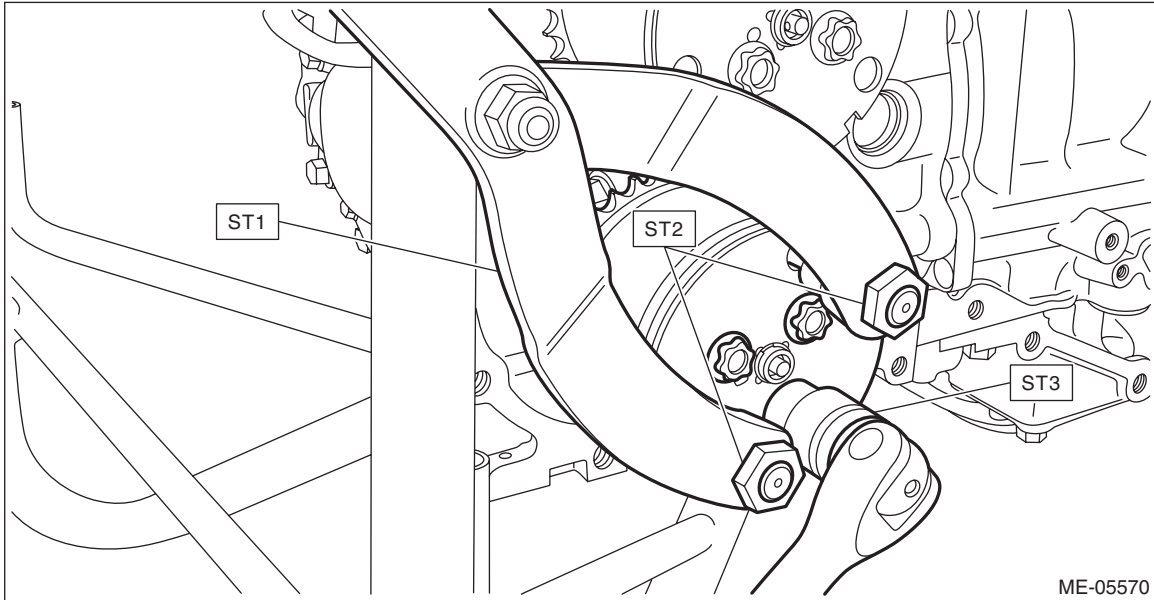
4) Remove the intake cam sprocket RH.

Cam Sprocket

MECHANICAL

• Exhaust cam sprocket RH

- 1) Remove the chain cover. <Ref. to ME(H4DO)-92, REMOVAL, Chain Cover.>
- 2) Remove the timing chain RH. <Ref. to ME(H4DO)-108, TIMING CHAIN RH, REMOVAL, Timing Chain Assembly.>
- 3) Hold the exhaust cam sprocket RH using the ST1 and ST2, and remove the bolts using the ST3.
ST1 18355AA000 PULLEY WRENCH
ST2 18334AA030 PULLEY WRENCH PIN SET
ST3 18270KA010 SOCKET



- 4) Remove the exhaust cam sprocket RH.

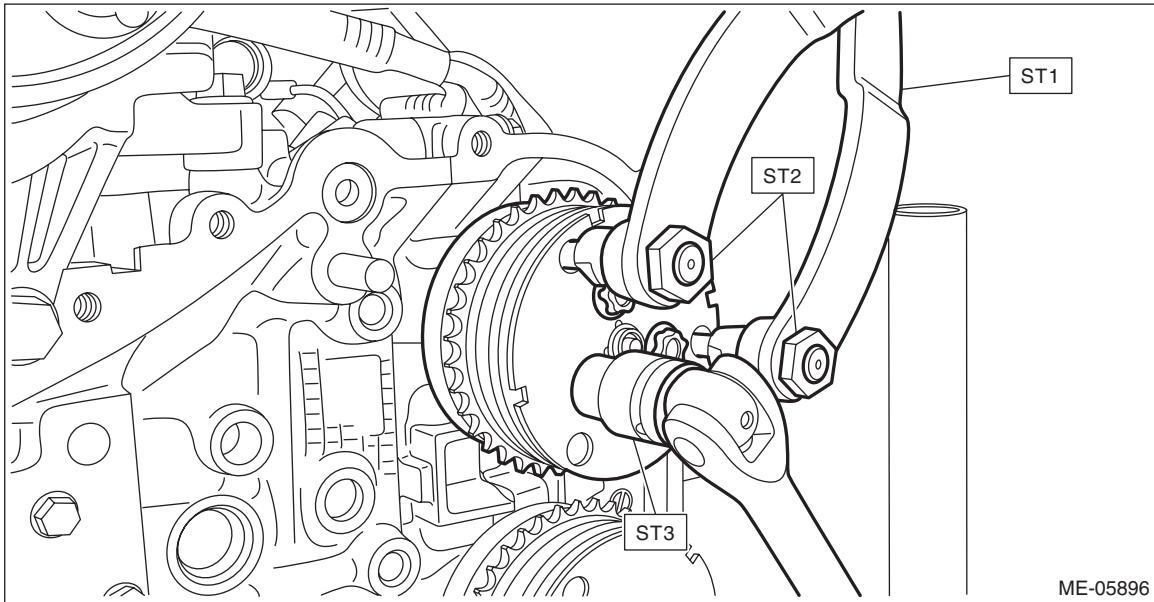
2. CAM SPROCKET LH

NOTE:

When replacing a single part, perform the work with the engine assembly installed to body.

• **Intake cam sprocket LH**

- 1) Remove the chain cover. <Ref. to ME(H4DO)-92, REMOVAL, Chain Cover.>
- 2) Remove the timing chain LH. <Ref. to ME(H4DO)-111, TIMING CHAIN LH, REMOVAL, Timing Chain Assembly.>
- 3) Hold the intake cam sprocket LH using the ST1 and ST2, and remove the bolts using the ST3.
ST1 18355AA000 PULLEY WRENCH
ST2 18334AA030 PULLEY WRENCH PIN SET
ST3 18270KA010 SOCKET



- 4) Remove the intake cam sprocket LH.

Cam Sprocket

MECHANICAL

• Exhaust cam sprocket LH

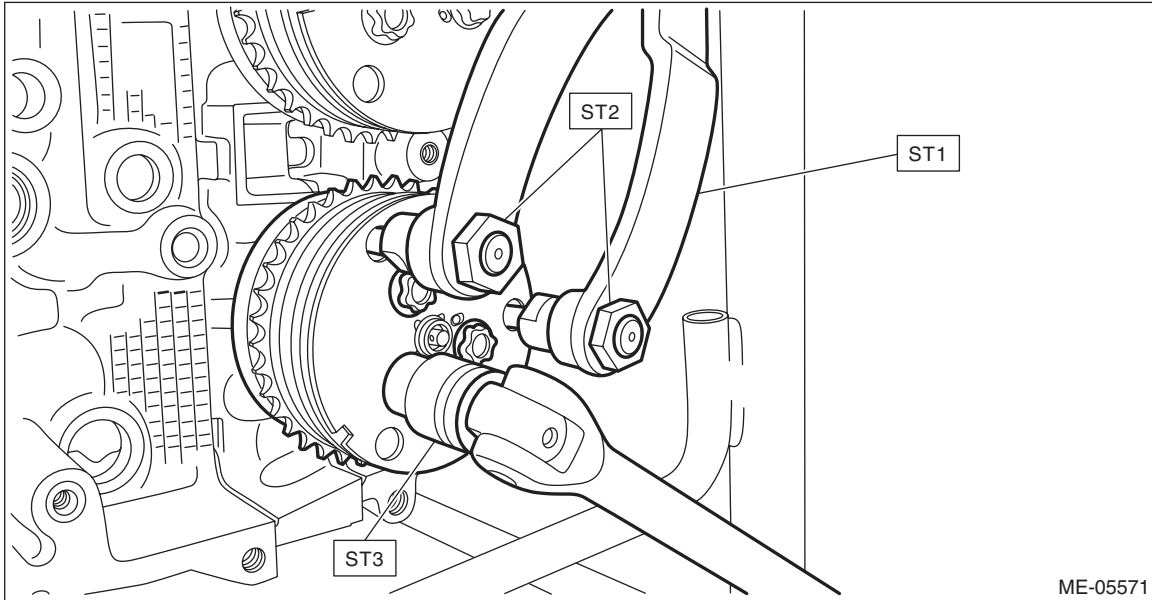
- 1) Remove the chain cover. <Ref. to ME(H4DO)-92, REMOVAL, Chain Cover.>
- 2) Remove the timing chain LH. <Ref. to ME(H4DO)-111, TIMING CHAIN LH, REMOVAL, Timing Chain Assembly.>

3) Hold the exhaust cam sprocket LH using the ST1 and ST2, and remove the bolts using the ST3.

ST1 18355AA000 PULLEY WRENCH

ST2 18334AA030 PULLEY WRENCH PIN SET

ST3 18270KA010 SOCKET



- 4) Remove the exhaust cam sprocket LH.

B: INSTALLATION

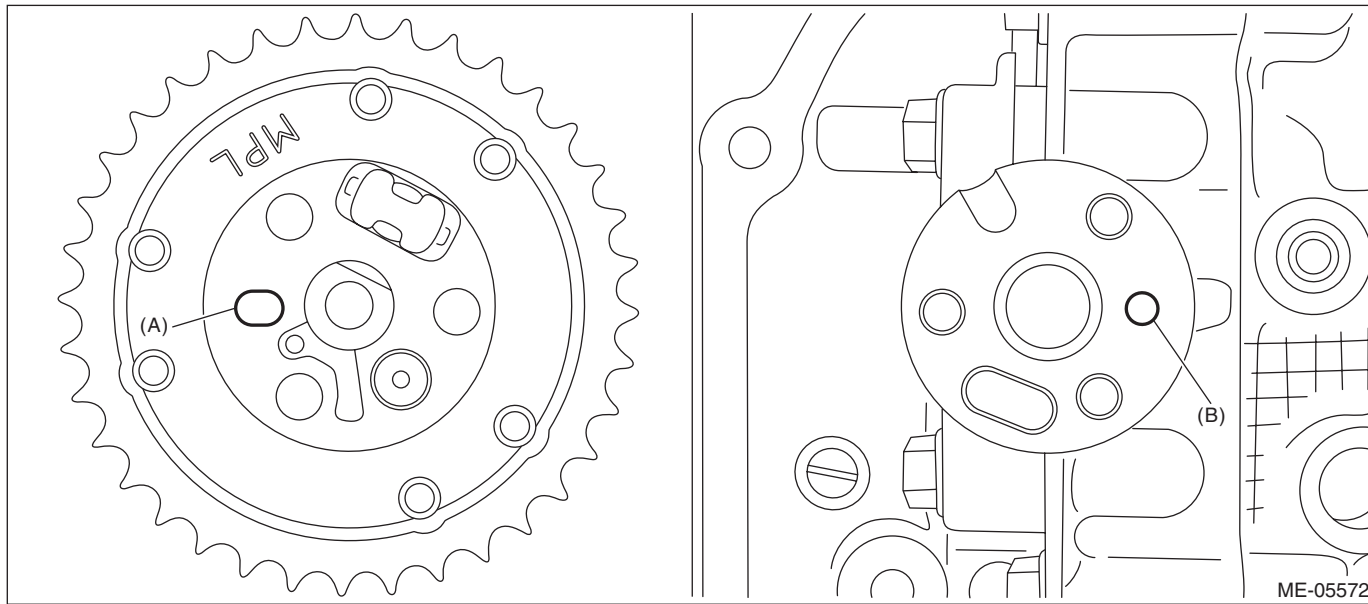
1. CAM SPROCKET RH

• Intake cam sprocket RH

1) Install the intake cam sprocket RH by aligning the knock hole (A) of intake cam sprocket RH and the knock pin (B) of intake camshaft RH.

NOTE:

Before installation, check that there is no foreign matter on the intake cam sprocket RH and intake camshaft RH.



2) Hold the intake cam sprocket RH using the ST1 and ST2, and install the bolts using the ST3.

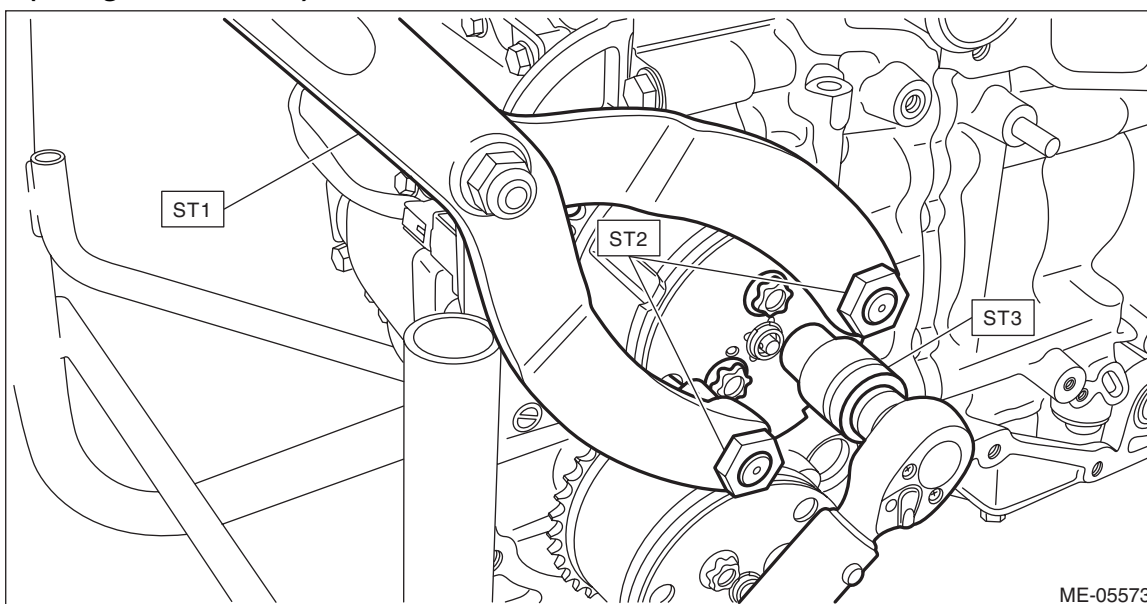
ST1 18355AA000 PULLEY WRENCH

ST2 18334AA030 PULLEY WRENCH PIN SET

ST3 18270KA010 SOCKET

Tightening torque:

18 N·m (1.8 kgf·m, 13.3 ft·lb)



3) Install the timing chain RH. <Ref. to ME(H4DO)-122, TIMING CHAIN RH, INSTALLATION, Timing Chain Assembly.>

4) Install the chain cover. <Ref. to ME(H4DO)-97, INSTALLATION, Chain Cover.>

Cam Sprocket

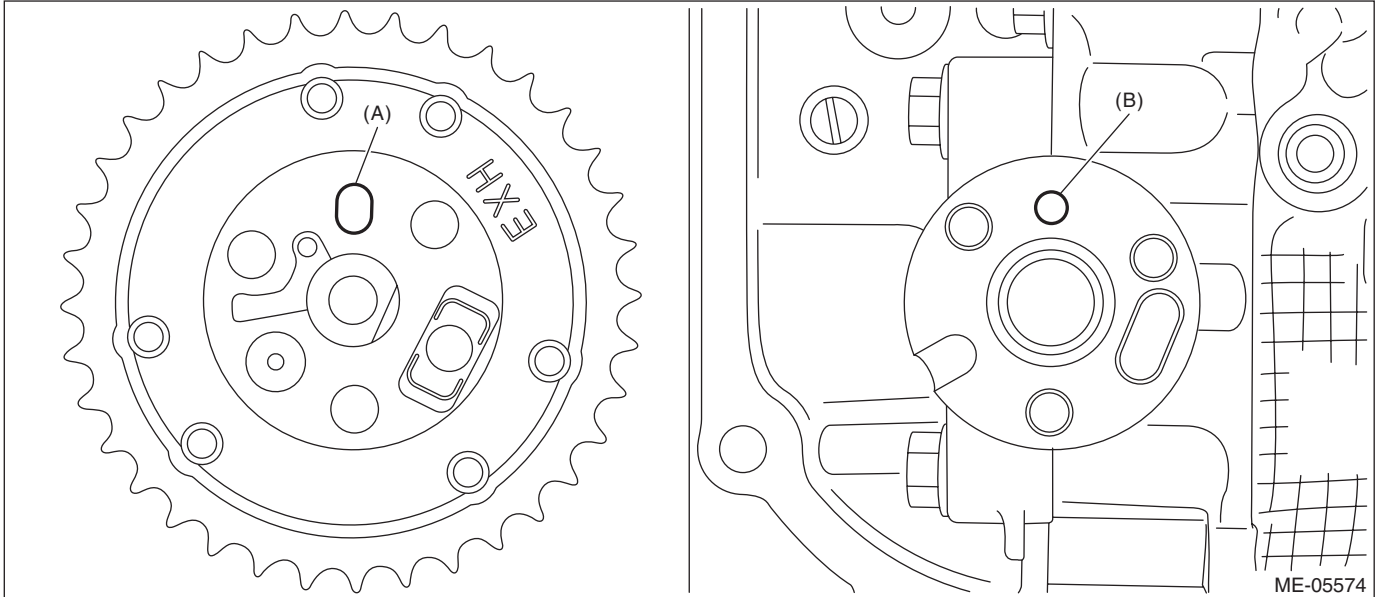
MECHANICAL

• Exhaust cam sprocket RH

1) Install the exhaust cam sprocket RH by aligning the knock hole (A) of exhaust cam sprocket RH and the knock pin (B) of exhaust camshaft RH.

NOTE:

Before installation, check that there is no foreign matter on the exhaust cam sprocket RH and exhaust camshaft RH.



2) Hold the exhaust cam sprocket RH using ST1 and ST2, and install the bolts using ST3.

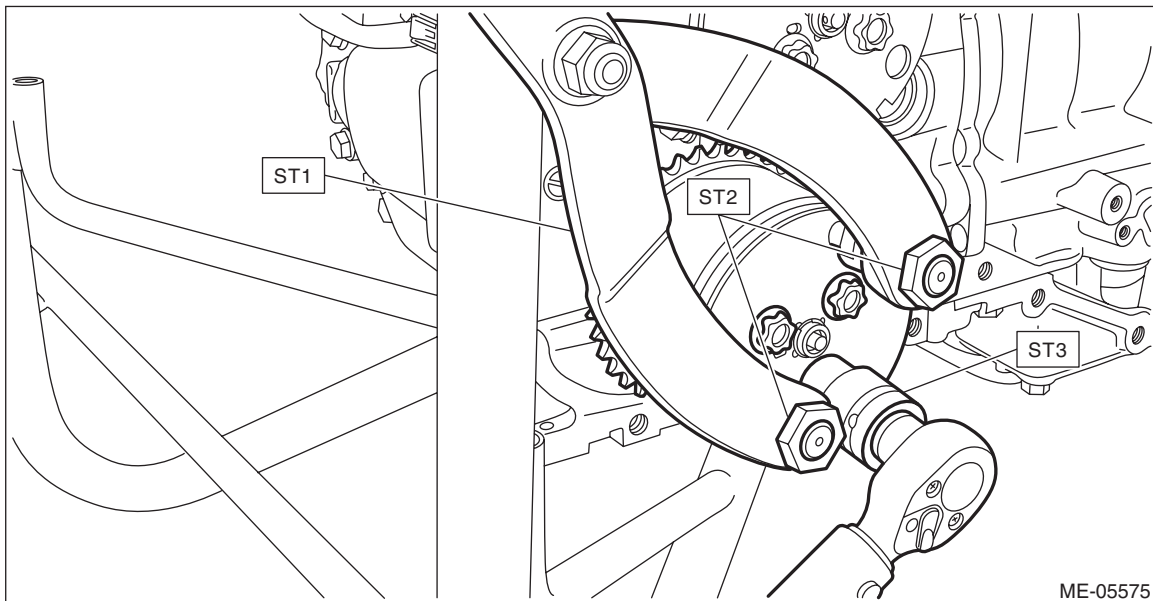
ST1 18355AA000 PULLEY WRENCH

ST2 18334AA030 PULLEY WRENCH PIN SET

ST3 18270KA010 SOCKET

Tightening torque:

18 N·m (1.8 kgf·m, 13.3 ft·lb)



3) Install the timing chain RH. <Ref. to ME(H4DO)-122, TIMING CHAIN RH, INSTALLATION, Timing Chain Assembly.>

4) Install the chain cover. <Ref. to ME(H4DO)-97, INSTALLATION, Chain Cover.>

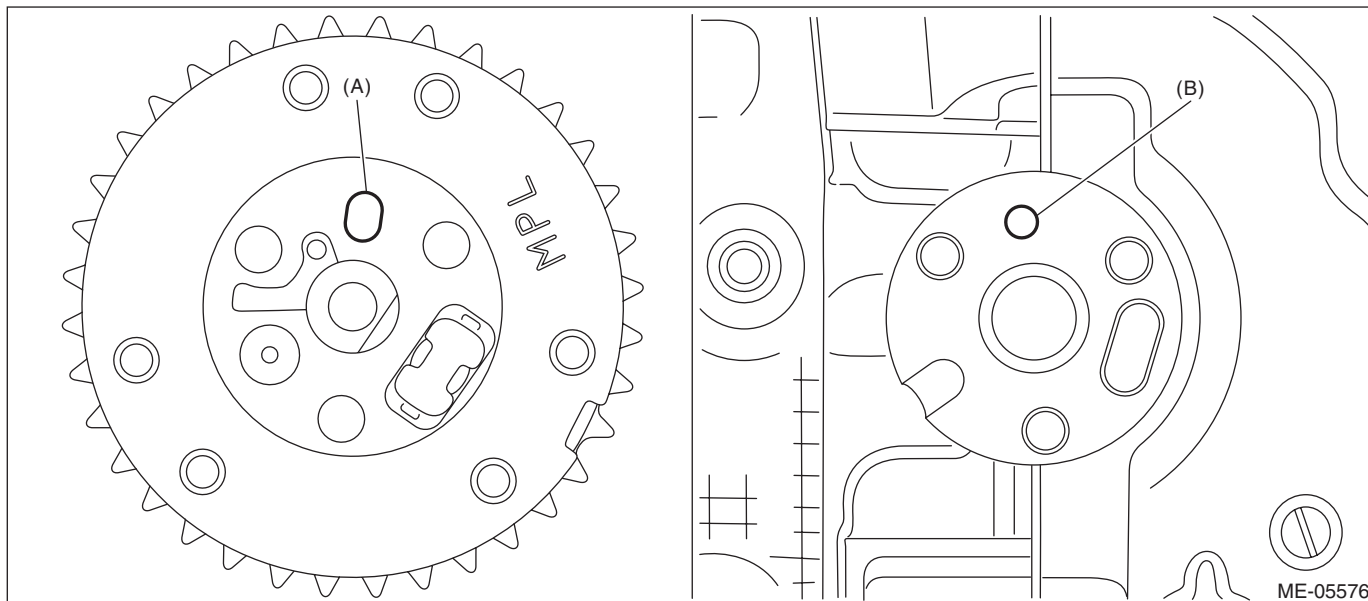
2. CAM SPROCKET LH

• Intake cam sprocket LH

1) Install the intake cam sprocket LH by aligning the knock hole (A) of intake cam sprocket LH and the knock pin (B) of intake camshaft LH.

NOTE:

Before installation, check that there is no foreign matter on the intake cam sprocket LH and intake camshaft LH.

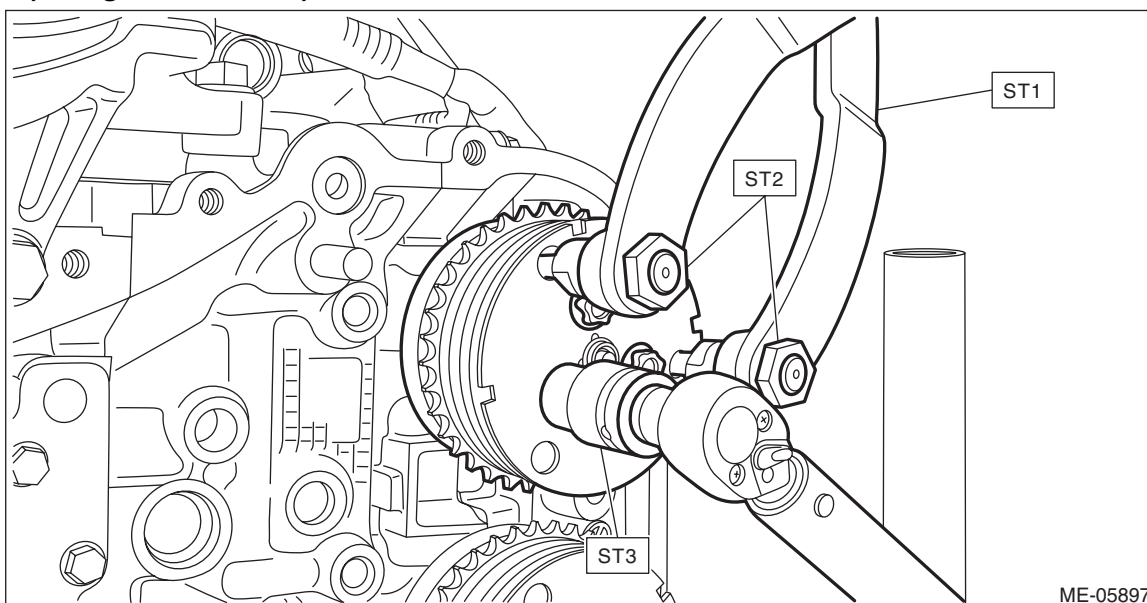


2) Hold the intake cam sprocket LH using the ST1 and ST2, and install the bolts using the ST3.

- ST1 18355AA000 PULLEY WRENCH
- ST2 18334AA030 PULLEY WRENCH PIN SET
- ST3 18270KA010 SOCKET

Tightening torque:

18 N·m (1.8 kgf·m, 13.3 ft·lb)



3) Install timing chain LH. <Ref. to ME(H4DO)-116, TIMING CHAIN LH, INSTALLATION, Timing Chain Assembly.>

4) Install the chain cover. <Ref. to ME(H4DO)-97, INSTALLATION, Chain Cover.>

Cam Sprocket

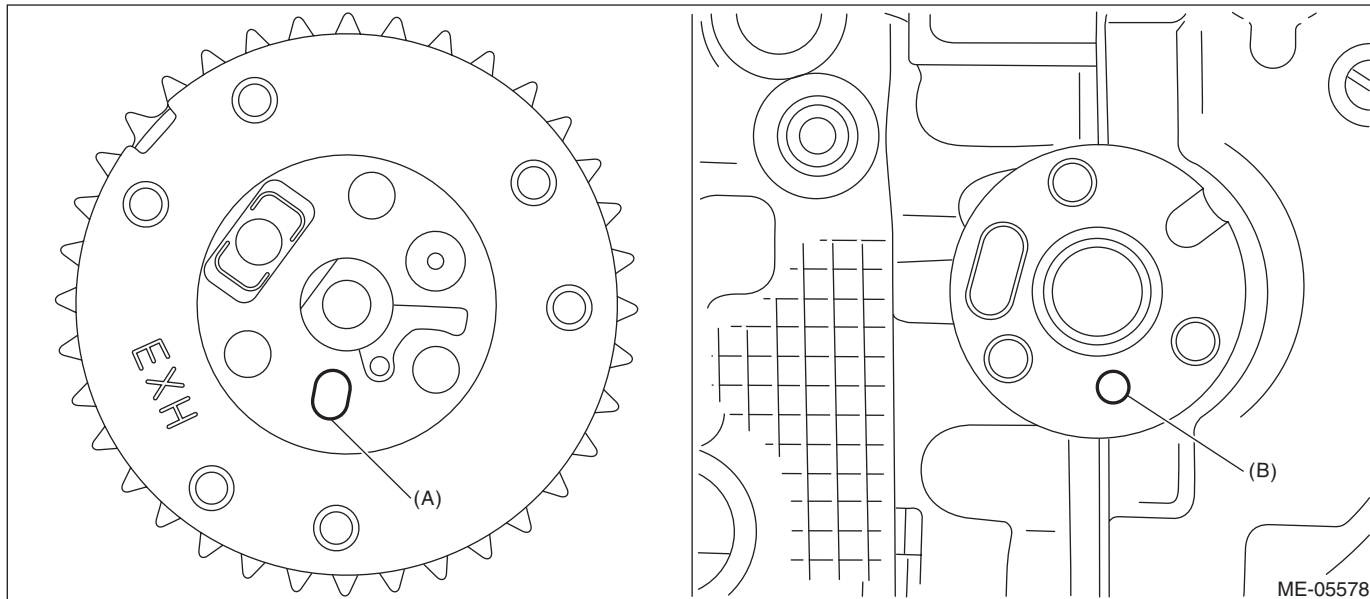
MECHANICAL

• Exhaust cam sprocket LH

1) Install the exhaust cam sprocket LH by aligning the knock hole (A) of exhaust cam sprocket LH and the knock pin (B) of exhaust camshaft LH.

NOTE:

Before installation, check that there is no foreign matter on the exhaust cam sprocket LH and exhaust camshaft LH.



2) Hold the exhaust cam sprocket LH using the ST1 and ST2, and install the bolts using the ST3.

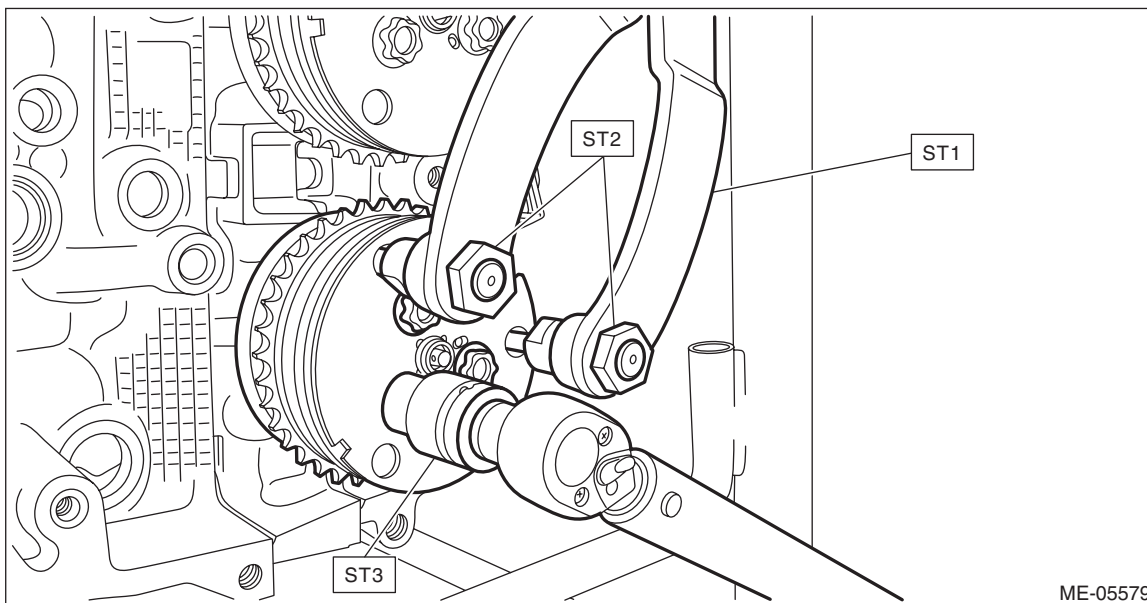
ST1 18355AA000 PULLEY WRENCH

ST2 18334AA030 PULLEY WRENCH PIN SET

ST3 18270KA010 SOCKET

Tightening torque:

18 N·m (1.8 kgf·m, 13.3 ft·lb)



3) Install timing chain LH. <Ref. to ME(H4DO)-116, TIMING CHAIN LH, INSTALLATION, Timing Chain Assembly.>

4) Install the chain cover. <Ref. to ME(H4DO)-97, INSTALLATION, Chain Cover.>

C: INSPECTION

Check the cam sprocket teeth for abnormal wear and scratches.