

18.Rocker Cover

A: REMOVAL

1. ROCKER COVER RH

NOTE:

When replacing a single part, perform the work with the engine assembly installed to body.

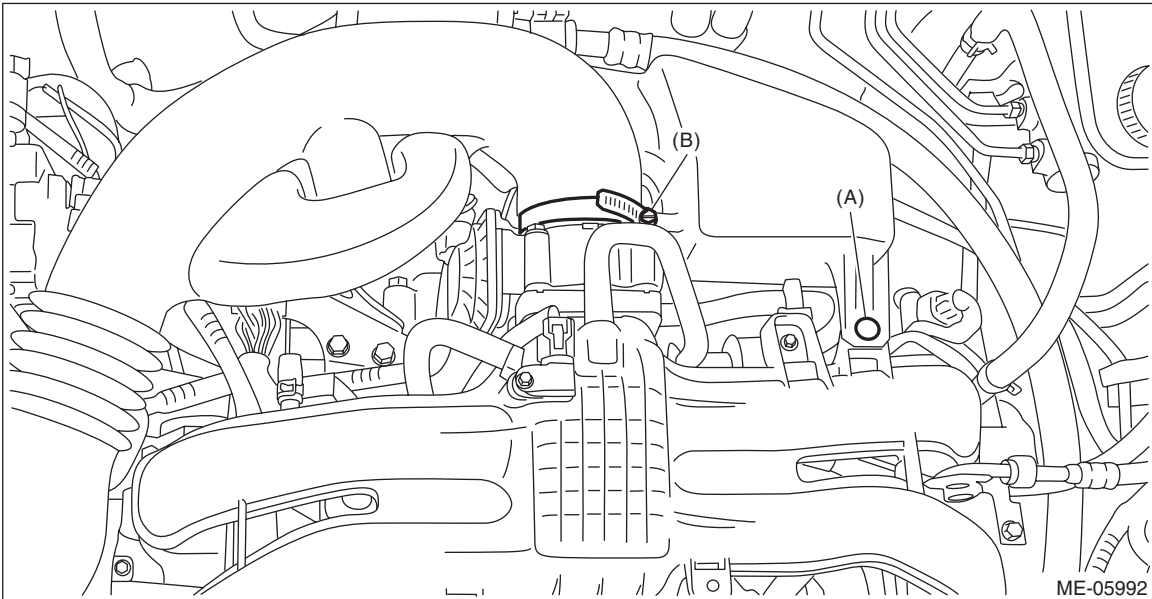
1) When working on the vehicle

NOTE:

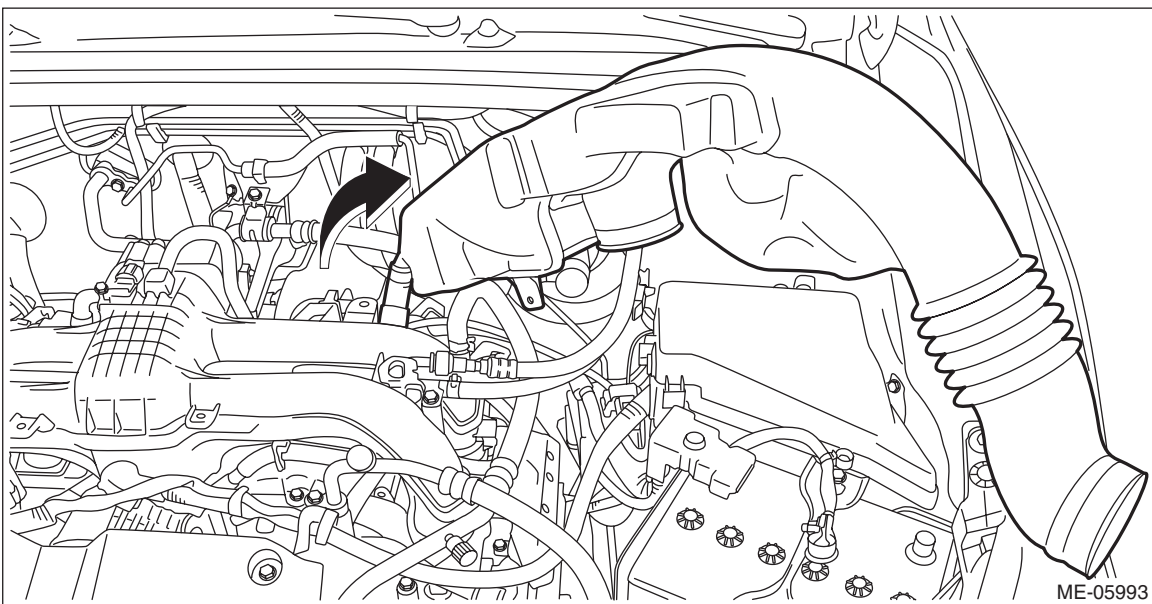
When working on the vehicle, perform the following steps also.

(1) Remove the air cleaner case. <Ref. to IN(H4DO)-7, REMOVAL, Air Cleaner Case.>

(2) Remove the clip (A) from the air intake boot, and loosen the clamp (B) which holds air intake boot to the throttle body.



(3) Remove the air intake boot from the throttle body, and move the air intake boot to the left side wheel apron.



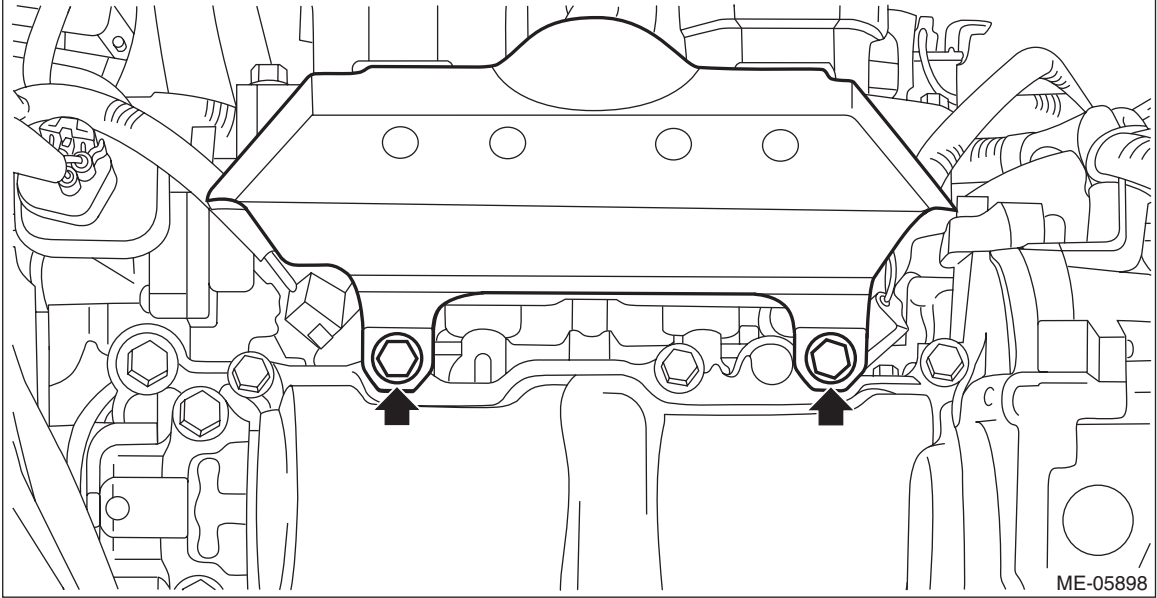
(4) Remove the front exhaust pipe. <Ref. to EX(H4DO)-7, REMOVAL, Front Exhaust Pipe.>

2) Remove the #1 ignition coil and the #3 ignition coil. <Ref. to IG(H4DO)-10, REMOVAL, Ignition Coil.>

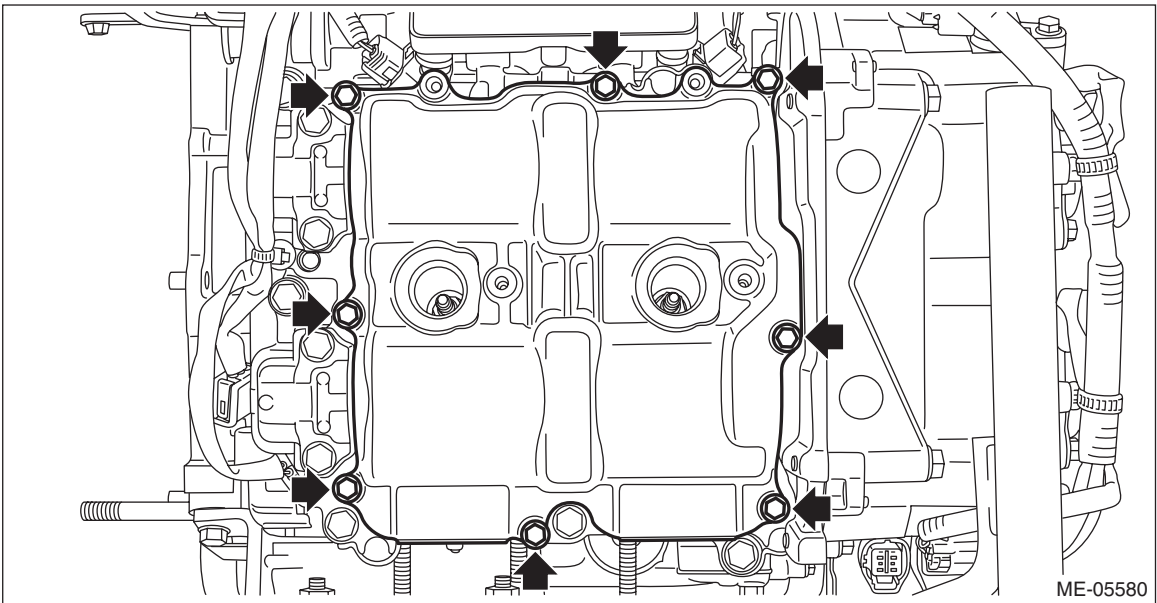
Rocker Cover

MECHANICAL

3) Remove the intake manifold protector RH.



4) Remove the rocker cover RH.



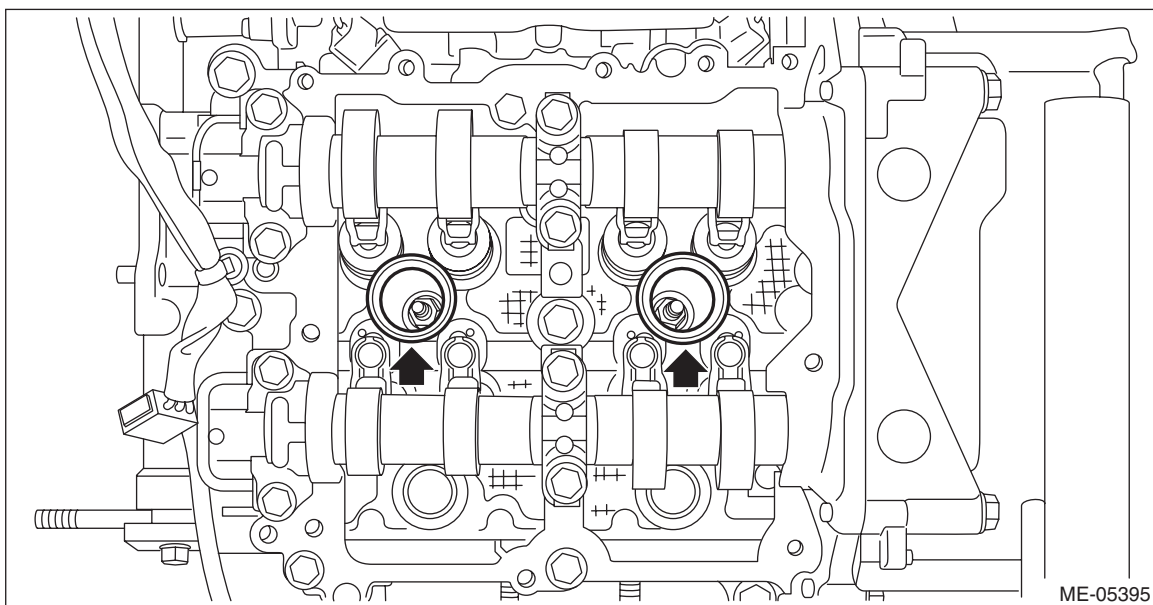
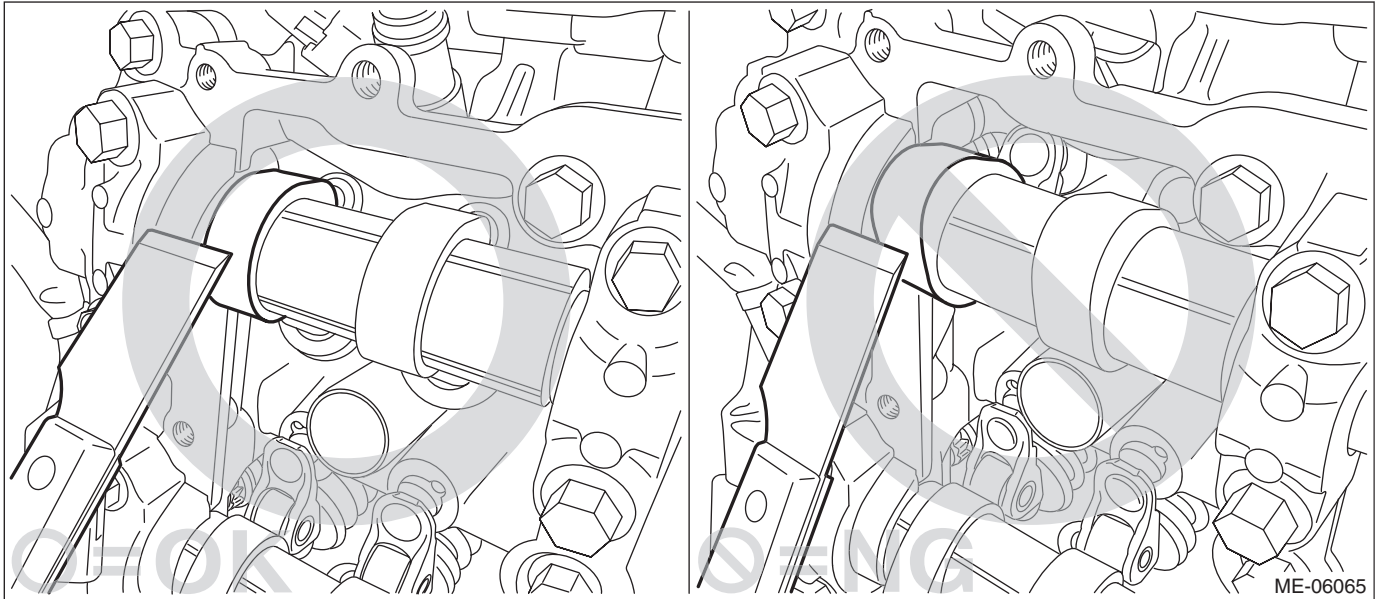
Rocker Cover

MECHANICAL

5) Remove the rocker cover gasket RH, #1 spark plug pipe gasket and #3 spark plug pipe gasket, and remove the liquid gasket.

CAUTION:

- When removing the liquid gasket from engine unit using scraper, use special care not to damage the cam lobe of camshaft RH.
- If the cam lobe of camshaft RH interferes, turn the crankshaft to the position where the scraper does not touch.



Rocker Cover

MECHANICAL

2. ROCKER COVER LH

NOTE:

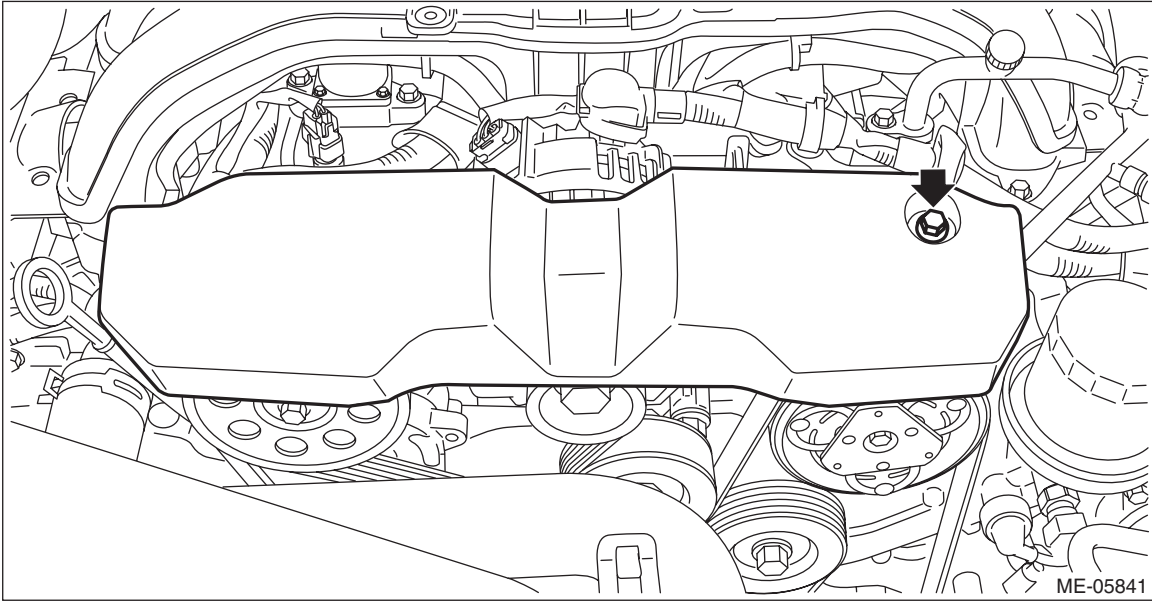
When replacing a single part, perform the work with the engine assembly installed to body.

1) When working on the vehicle

NOTE:

When working on the vehicle, perform the following steps also.

- (1) Remove the battery. <Ref. to SC(H4DO)-57, REMOVAL, Battery.>
- (2) Remove the V-belt covers.

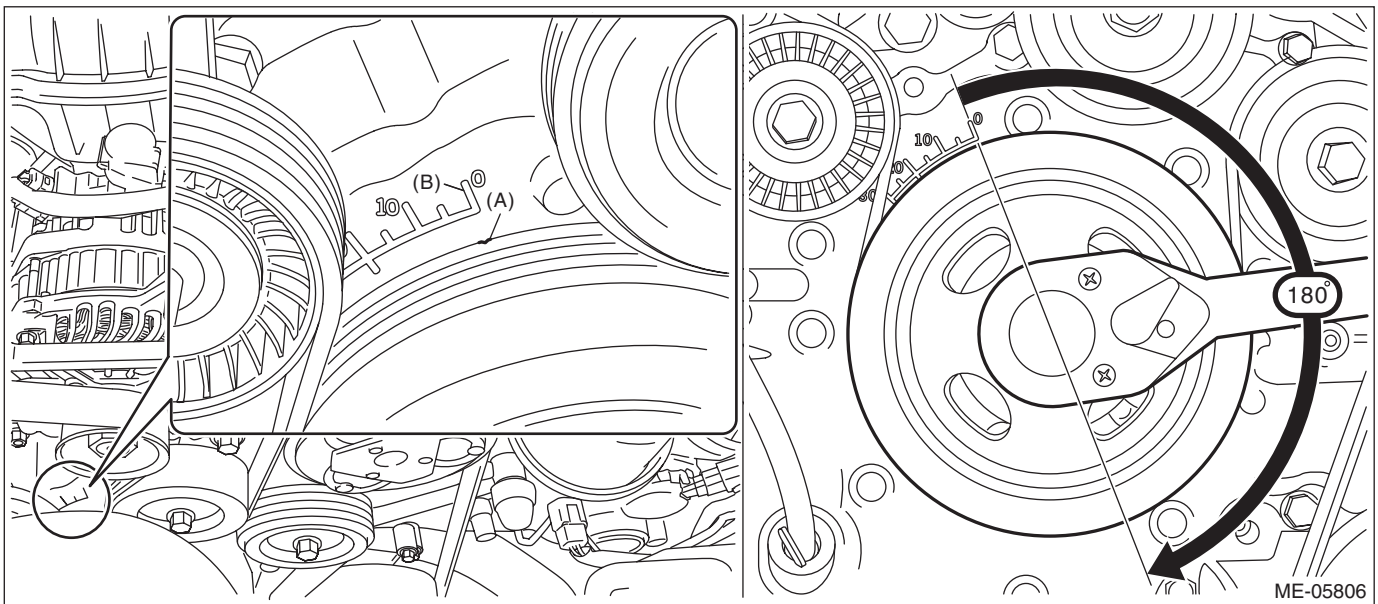


(3) Remove the air intake duct. <Ref. to IN(H4DO)-13, REMOVAL, Air Intake Duct.>

(4) Align the timing mark (A) of crank pulley to the timing gauge (B) 0° of chain cover as shown in the figure, and turn the crankshaft by 180° clockwise from that position.

NOTE:

This procedure is required to prevent the rocker cover LH and the cam lobe of camshaft LH contacting with each other when removing the rocker cover LH.

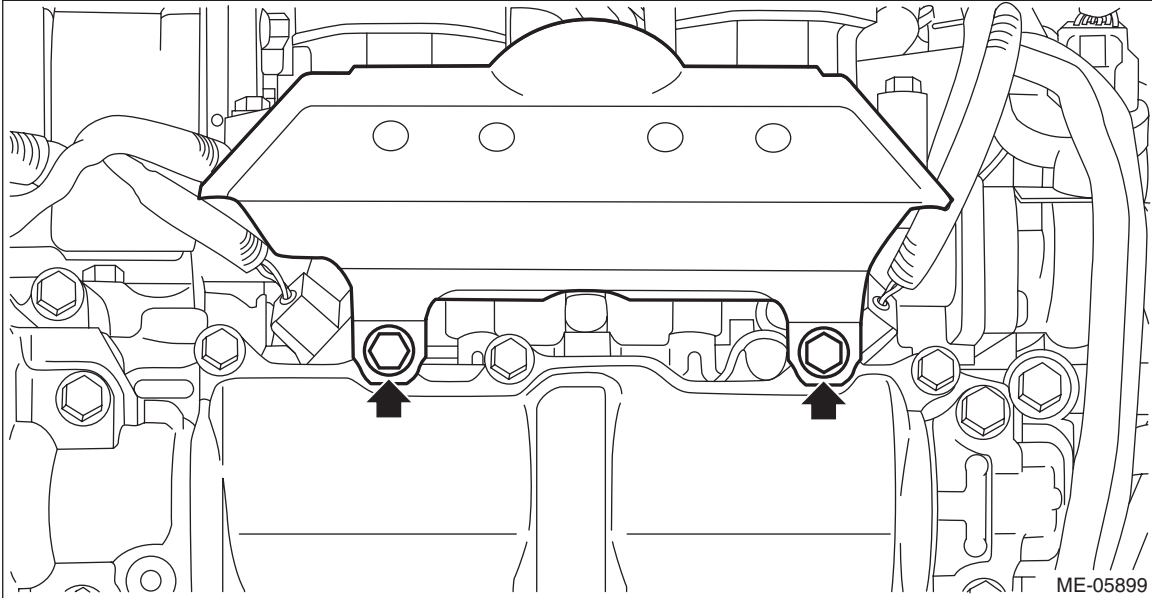


2) Remove the #2 ignition coil and the #4 ignition coil. <Ref. to IG(H4DO)-10, REMOVAL, Ignition Coil.>

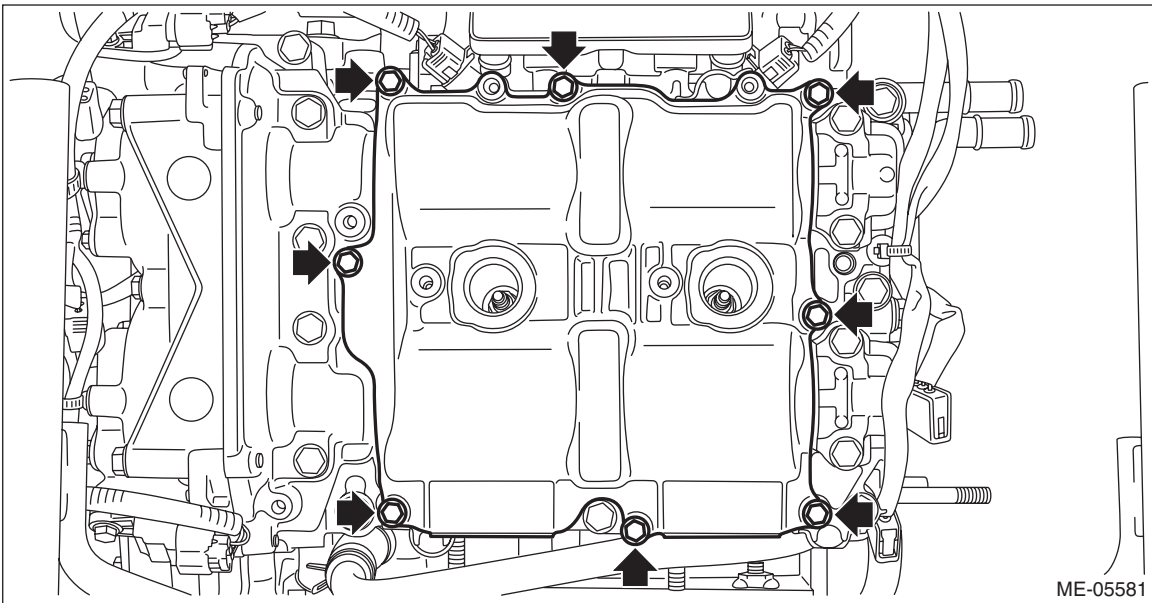
Rocker Cover

MECHANICAL

3) Remove the intake manifold protector LH.



4) Remove the rocker cover LH.



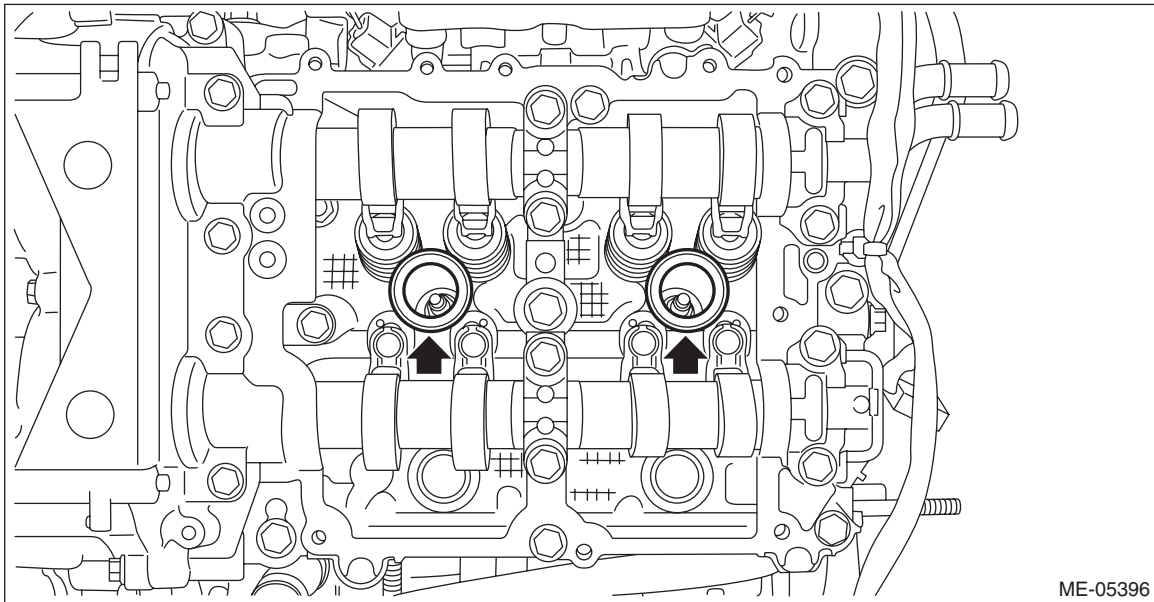
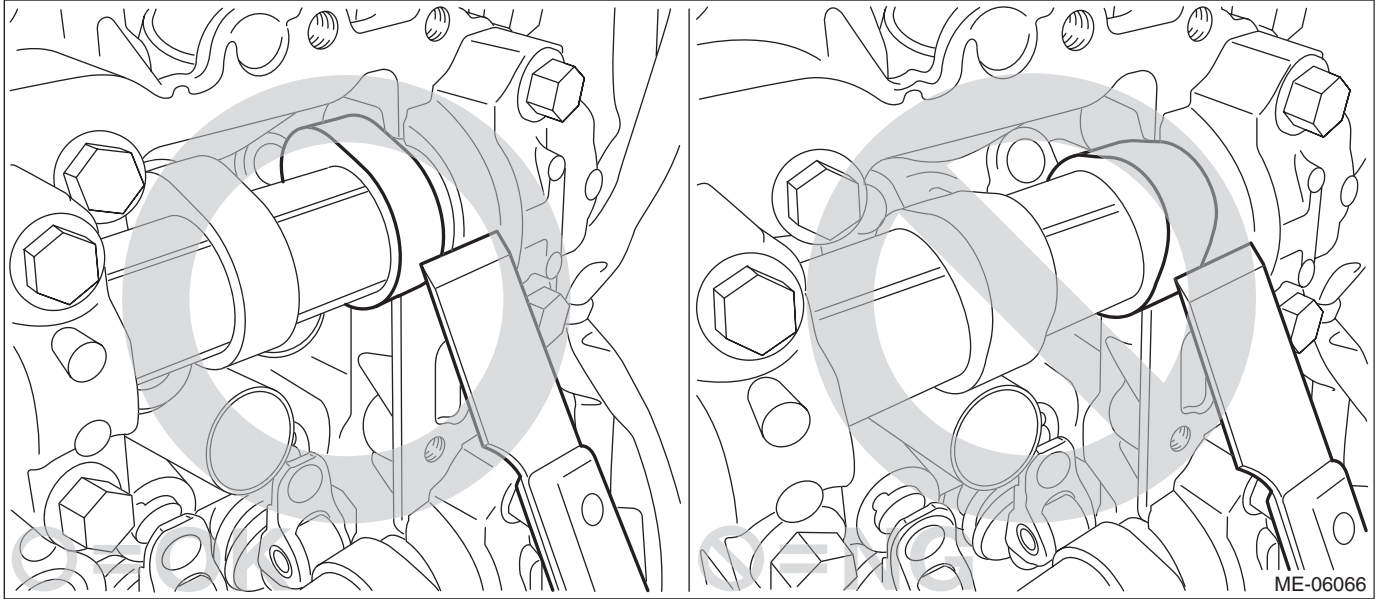
Rocker Cover

MECHANICAL

5) Remove the rocker cover gasket LH, #2 spark plug pipe gasket and #4 spark plug pipe gasket, and remove the liquid gasket.

CAUTION:

- When removing the liquid gasket from engine unit using scraper, use special care not to damage the cam lobe of camshaft LH.
- If the cam lobe of camshaft LH interferes, turn the crankshaft to the position where the scraper does not touch.



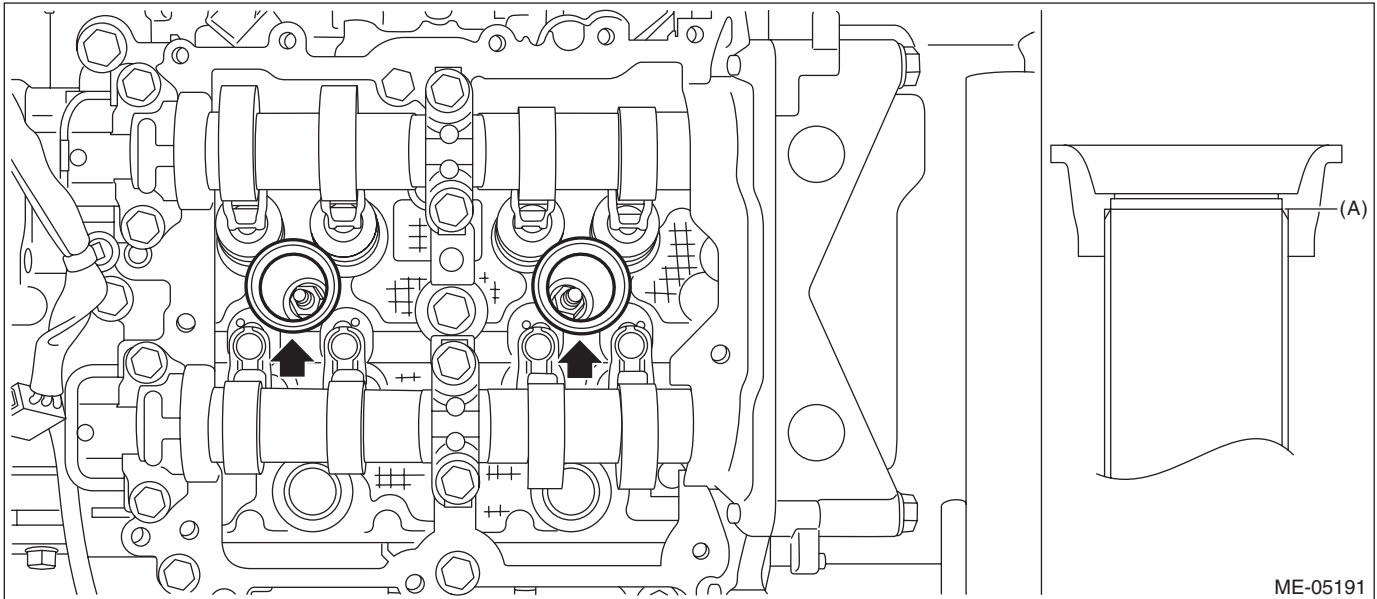
B: INSTALLATION

1. ROCKER COVER RH

1) Install the #1 spark plug pipe gasket and #3 spark plug pipe gasket to the #1 spark plug pipe and #3 spark plug pipe.

NOTE:

- Use a new #1 spark plug pipe gasket and #3 spark plug pipe gasket.
- Apply a light coat of engine oil to the #1 spark plug pipe gasket and #3 spark plug pipe gasket, and insert them onto the spark plug pipe edge (A).



ME-05191

2) Install the rocker cover gasket RH to the rocker cover RH.

NOTE:

Use a new rocker cover gasket RH.

Rocker Cover

MECHANICAL

3) Apply liquid gasket to the mating surface of rocker cover RH as shown in the figure.

NOTE:

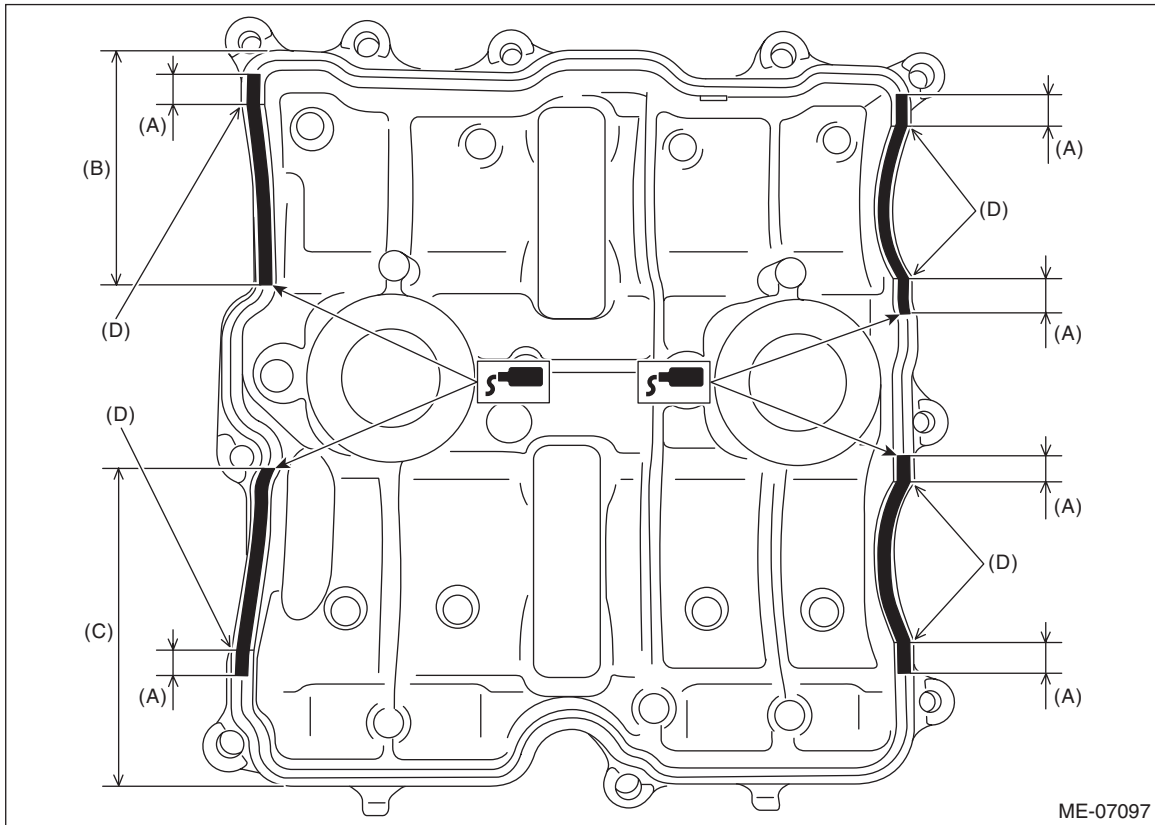
- Before applying liquid gasket, degrease the old liquid gasket seal surface of the engine.
- Be careful not to allow liquid gasket to be squeezed out from rocker cover RH.
- Install within 5 min. after applying liquid gasket.

Liquid gasket:

THREE BOND 1217G (Part No. K0877Y0100) or equivalent

Liquid gasket applying diameter:

3.5 ± 0.5 mm (0.1378 ± 0.0197 in)



(A) 10 mm (0.394 in) or more

(C) 89 mm (3.504 in) or more

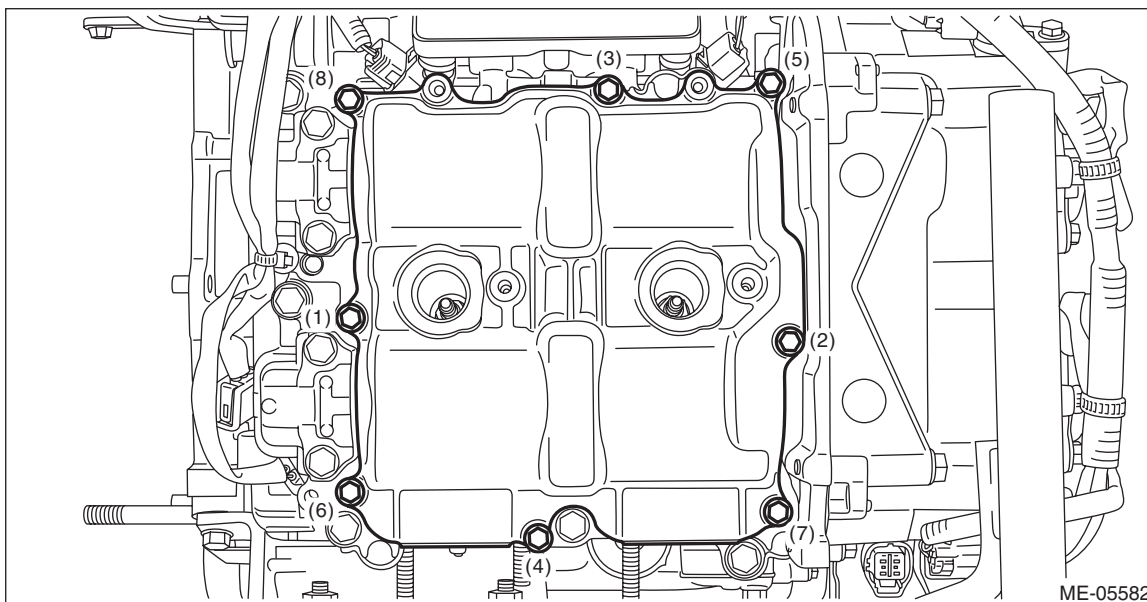
(D) Arch starting point

(B) 68 mm (2.677 in) or more

4) Set the rocker cover RH, and tighten the bolts in numerical order as shown in the figure.

Tightening torque:

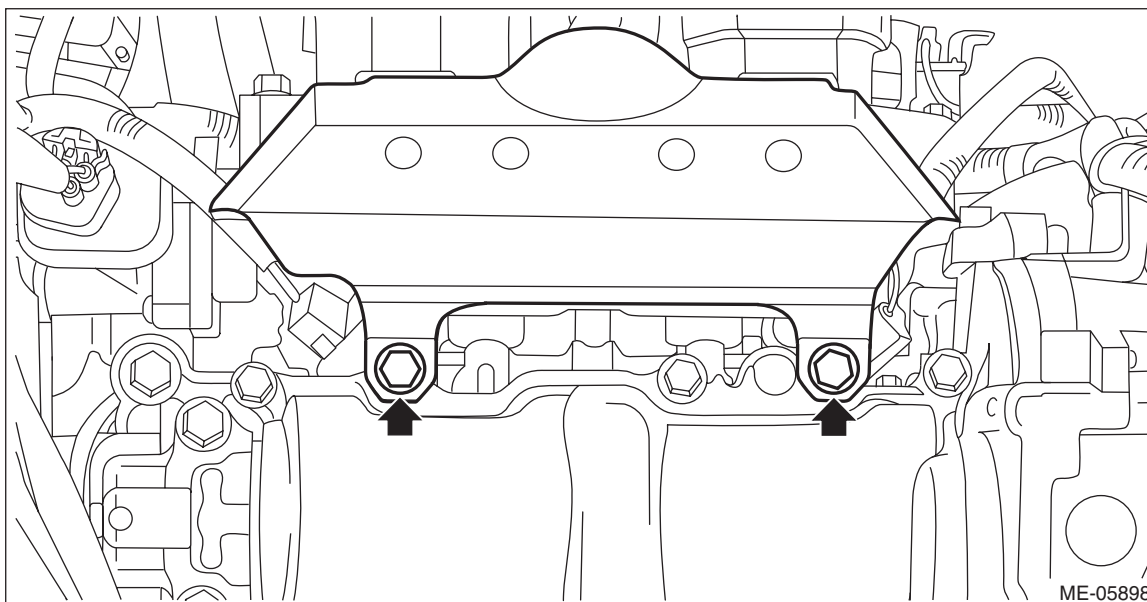
6.4 N·m (0.7 kgf-m, 4.7 ft-lb)



5) Install the intake manifold protector RH.

Tightening torque:

6.4 N·m (0.7 kgf-m, 4.7 ft-lb)



6) Install the #1 ignition coil and the #3 ignition coil. <Ref. to IG(H4DO)-10, INSTALLATION, Ignition Coil.>

7) When working on the vehicle

- (1) Install the front exhaust pipe. <Ref. to EX(H4DO)-10, INSTALLATION, Front Exhaust Pipe.>
- (2) Install the air intake boot. <Ref. to IN(H4DO)-12, INSTALLATION, Air Intake Boot.>
- (3) Install the air cleaner case. <Ref. to IN(H4DO)-9, INSTALLATION, Air Cleaner Case.>

Rocker Cover

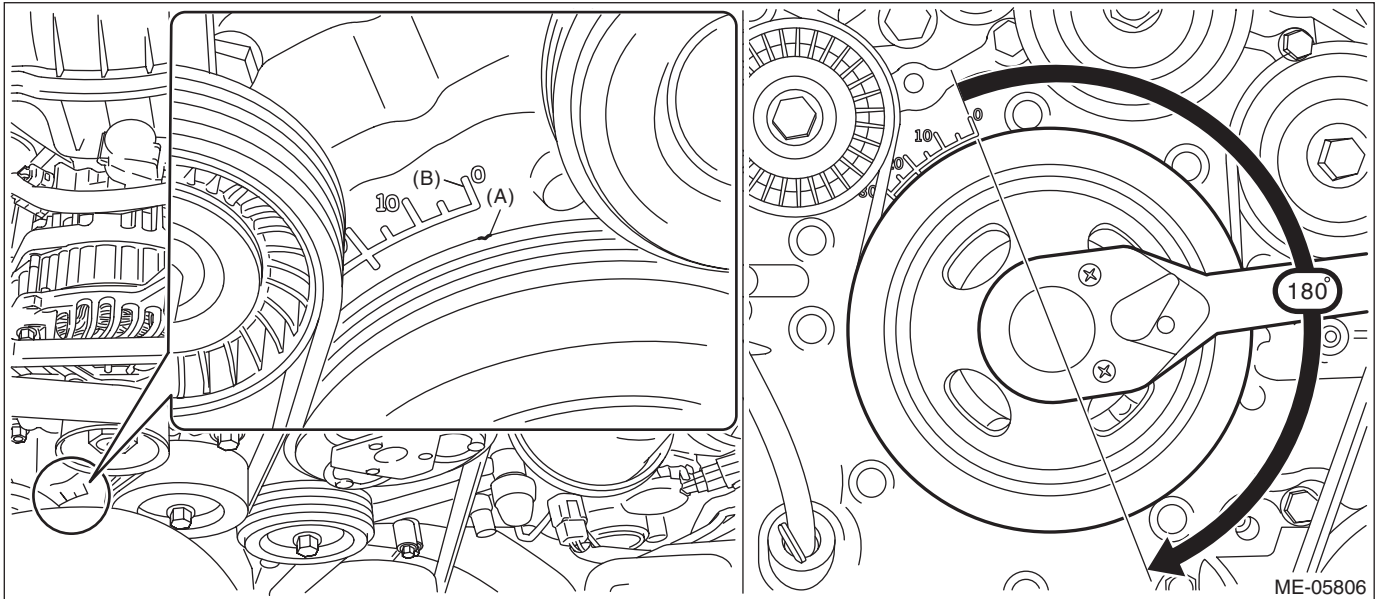
MECHANICAL

2. ROCKER COVER LH

1) Align the timing mark (A) of crank pulley to the timing gauge (B) of chain cover as shown in the figure, and turn the crankshaft by 180° clockwise from that position.

NOTE:

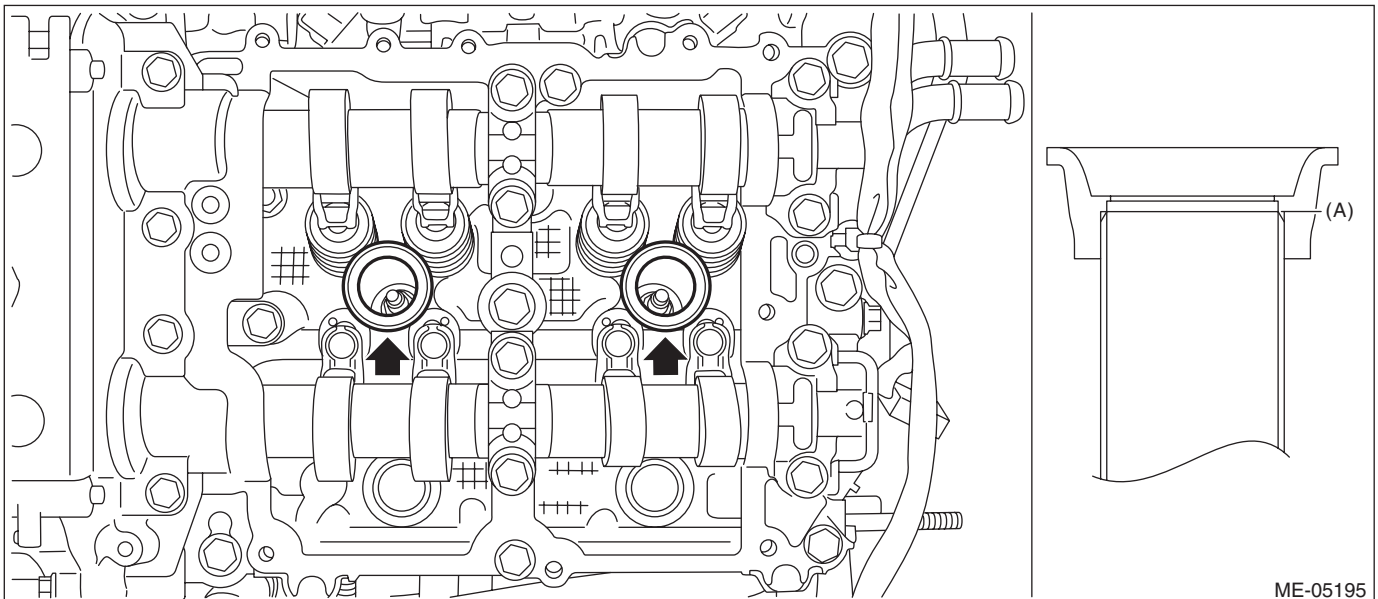
- This procedure is required only when working on the vehicle.
- This procedure is required to prevent the rocker cover LH and the cam lobe of camshaft LH contacting with each other when installing the rocker cover LH.



2) Install the #2 spark plug pipe gasket and #4 spark plug pipe gasket to the #2 spark plug pipe and #4 spark plug pipe.

NOTE:

- Use a new #2 spark plug pipe gasket and #4 spark plug pipe gasket.
- Apply a light coat of engine oil to the #2 spark plug pipe gasket and #4 spark plug pipe gasket, and insert them onto the spark plug pipe edge (A).



3) Install the rocker cover gasket LH to the rocker cover LH.

NOTE:

Use a new rocker cover gasket LH.

Rocker Cover

MECHANICAL

4) Apply liquid gasket to the mating surface of rocker cover LH as shown in the figure.

NOTE:

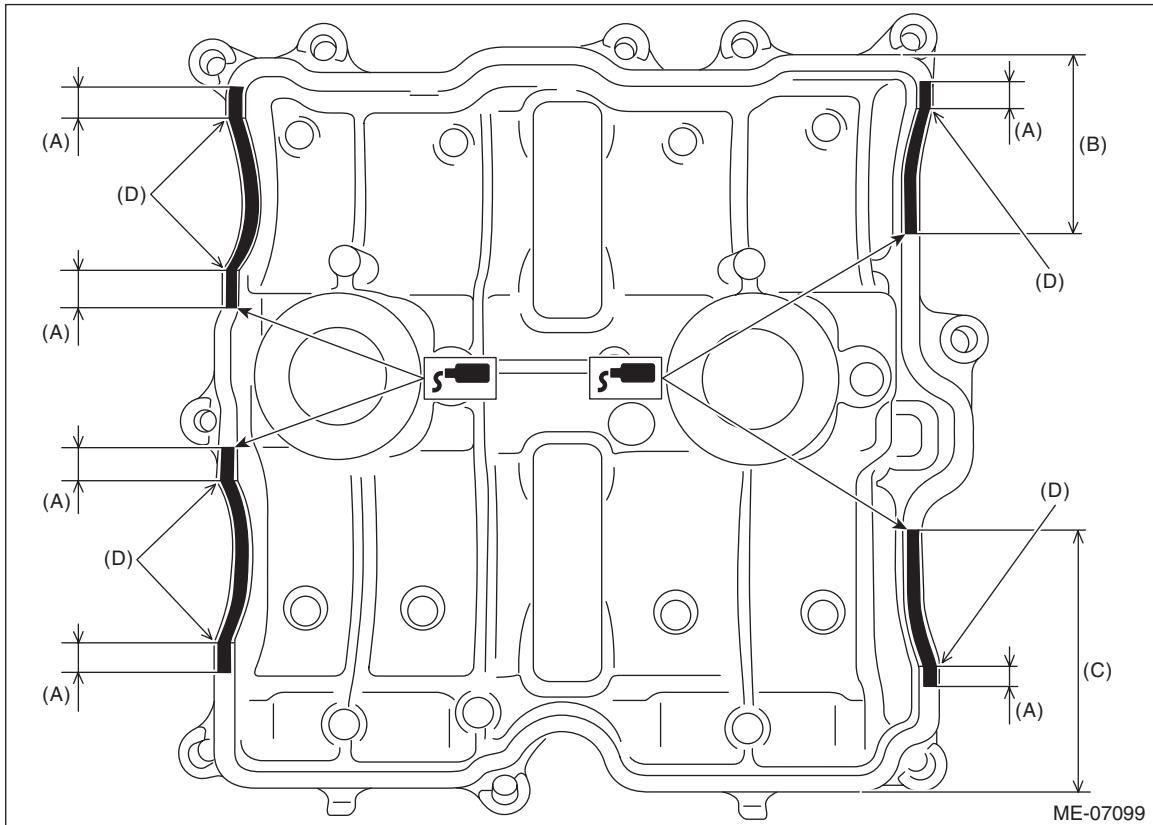
- Before applying liquid gasket, degrease the old liquid gasket seal surface of the engine.
- Be careful not to allow liquid gasket to be squeezed out from rocker cover LH.
- Install within 5 min. after applying liquid gasket.

Liquid gasket:

THREE BOND 1217G (Part No. K0877Y0100) or equivalent

Liquid gasket applying diameter:

3.5 ± 0.5 mm (0.1378 ± 0.0197 in)



(A) 10 mm (0.394 in) or more

(C) 73 mm (2.874 in) or more

(D) Arch starting point

(B) 51 mm (2.008 in) or more

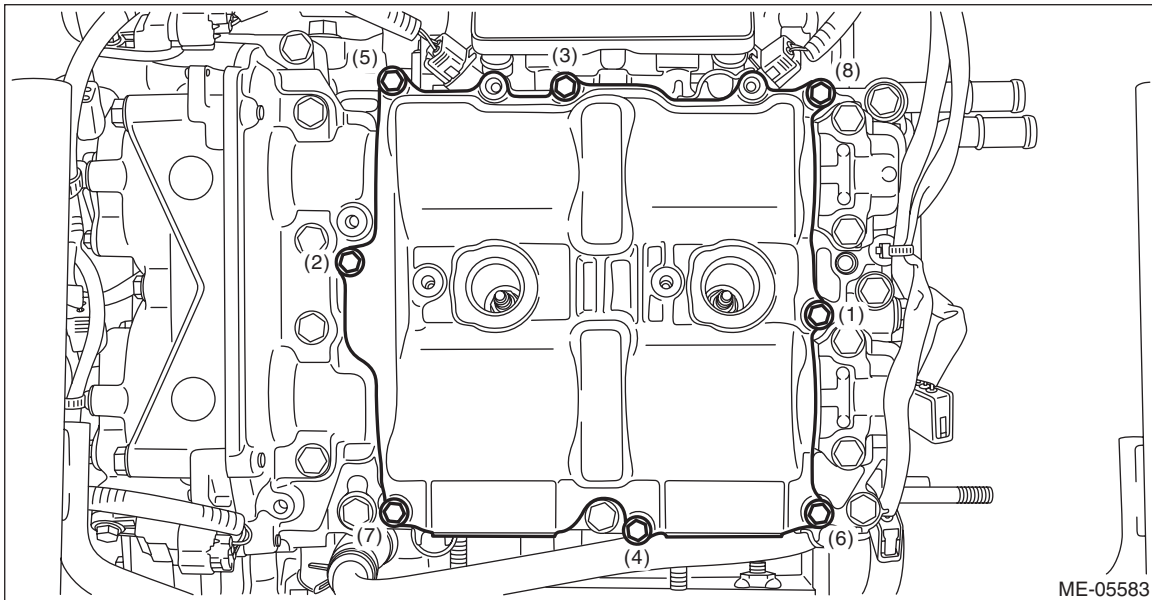
Rocker Cover

MECHANICAL

5) Set the rocker cover LH, and tighten the bolts in numerical order as shown in the figure.

Tightening torque:

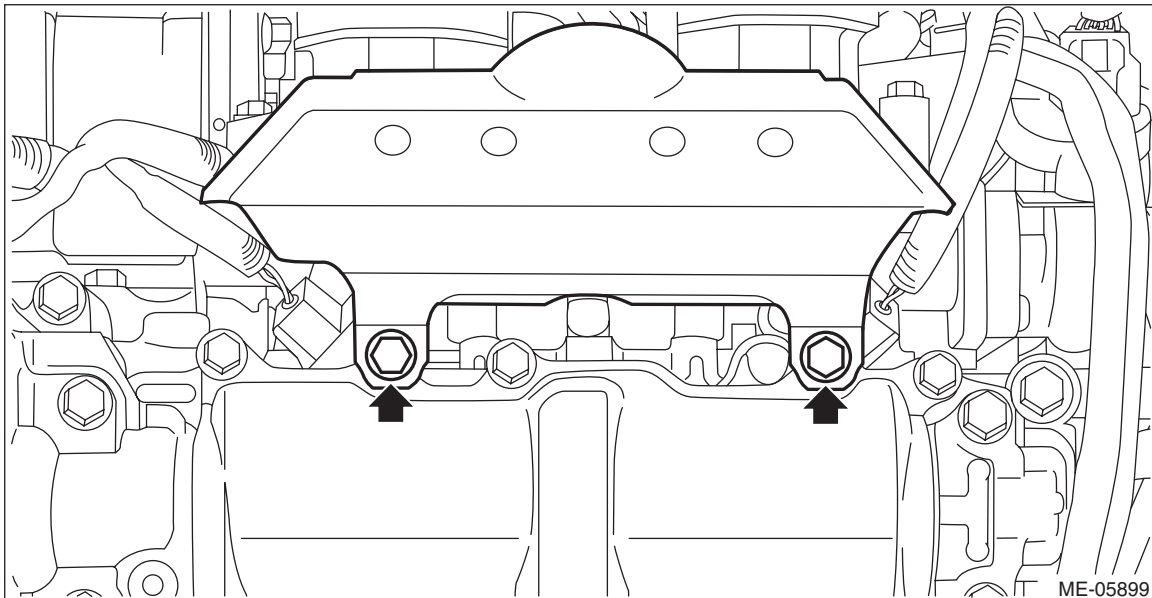
6.4 N·m (0.7 kgf-m, 4.7 ft-lb)



6) Install the intake manifold protector LH.

Tightening torque:

6.4 N·m (0.7 kgf-m, 4.7 ft-lb)

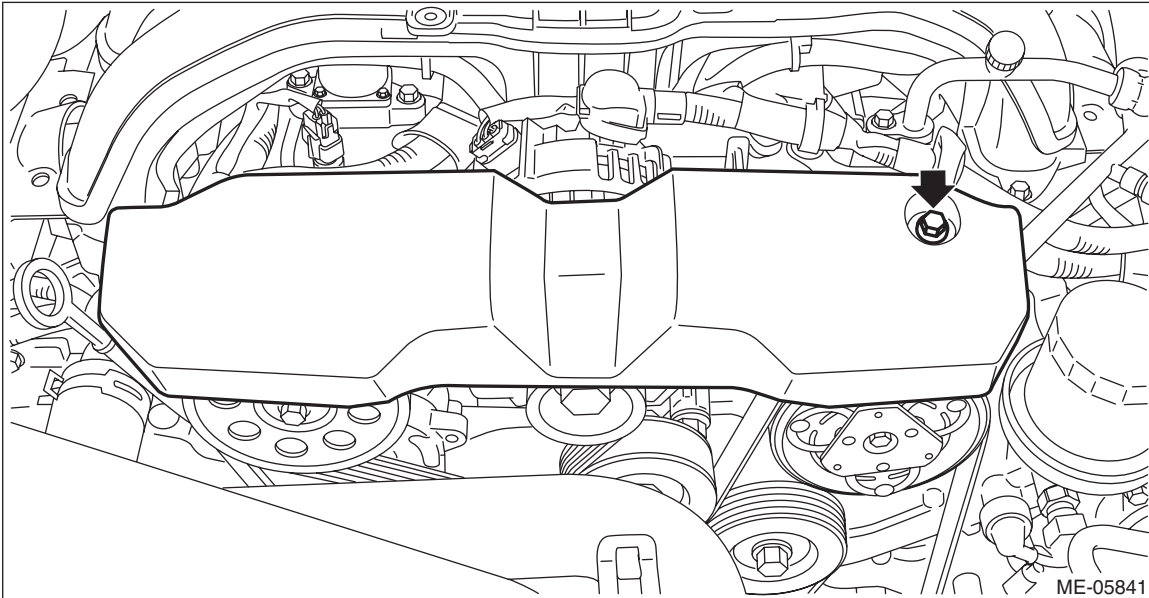


7) Install the #2 ignition coil and the #4 ignition coil. <Ref. to IG(H4DO)-10, INSTALLATION, Ignition Coil.>

- 8) When working on the vehicle
- (1) Install the air intake duct. <Ref. to IN(H4DO)-13, INSTALLATION, Air Intake Duct.>
 - (2) Install the V-belt cover.

Tightening torque:

13 N·m (1.3 kgf·m, 9.6 ft·lb)



- (3) Install the battery. <Ref. to SC(H4DO)-57, INSTALLATION, Battery.>

C: INSPECTION

Check that the rocker cover does not have deformation, cracks and any other damage.