

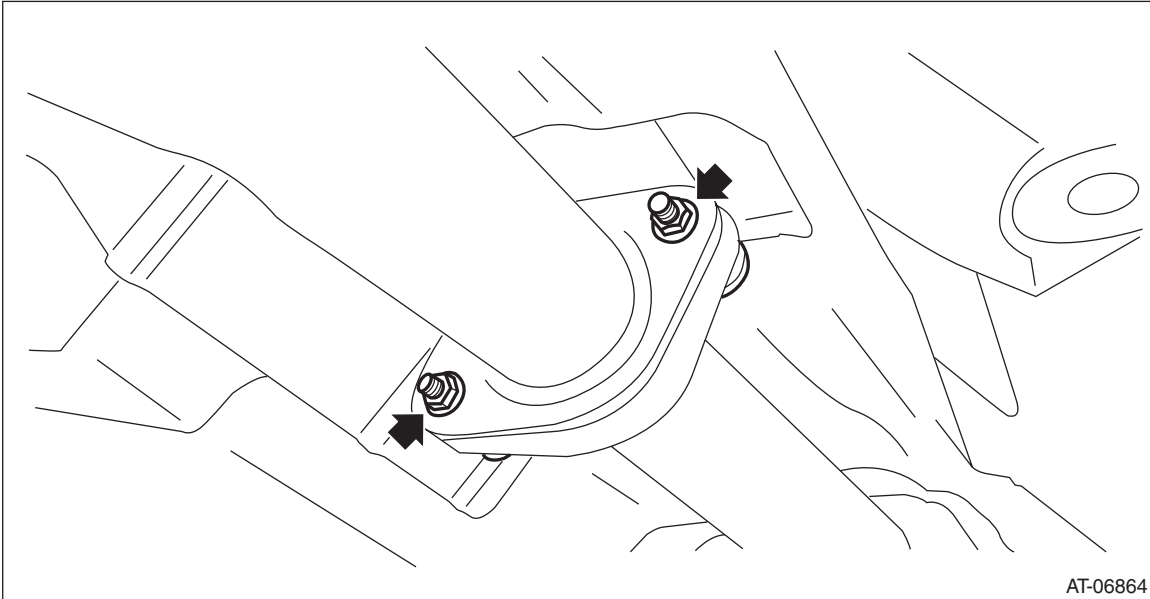
4. Rear Exhaust Pipe

A: REMOVAL

CAUTION:

Vehicle components are extremely hot after driving. Be wary of receiving burns from heated parts.

- 1) Lift up the vehicle.
- 2) Remove the center exhaust pipe from rear exhaust pipe.

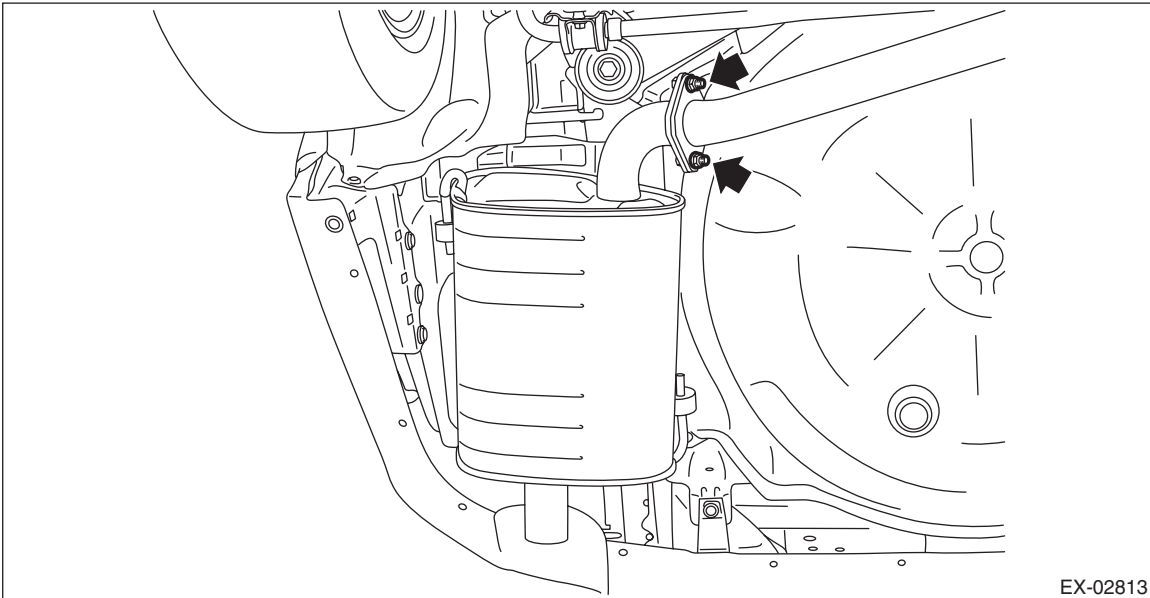


- 3) Remove the muffler from rear exhaust pipe.

CAUTION:

Be careful not to drop the rear exhaust pipe.

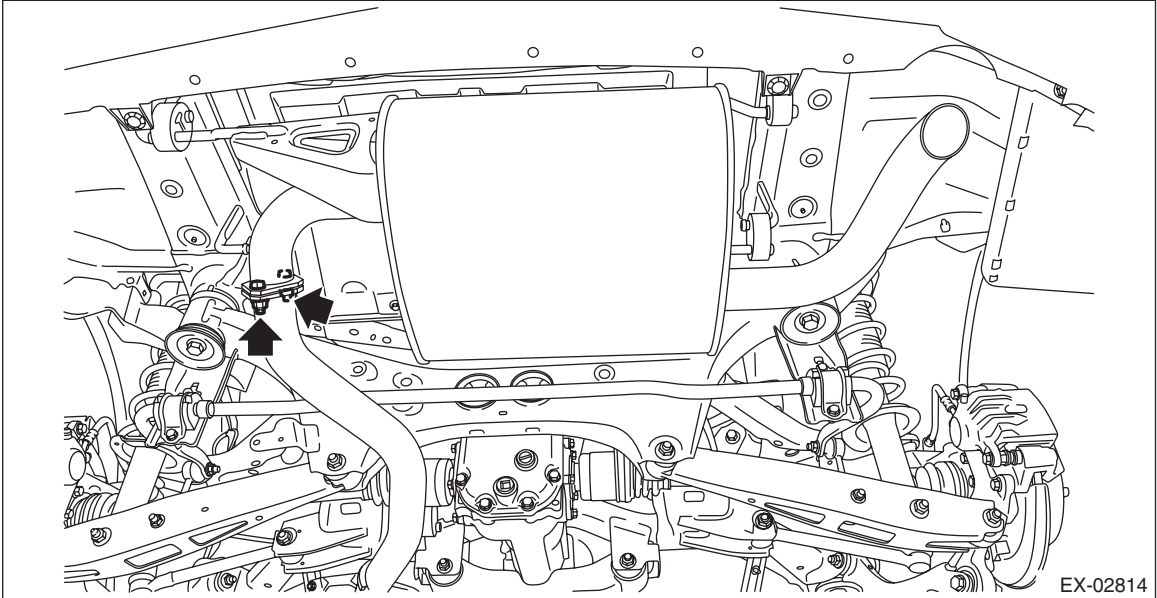
- 4 door model



Rear Exhaust Pipe

EXHAUST

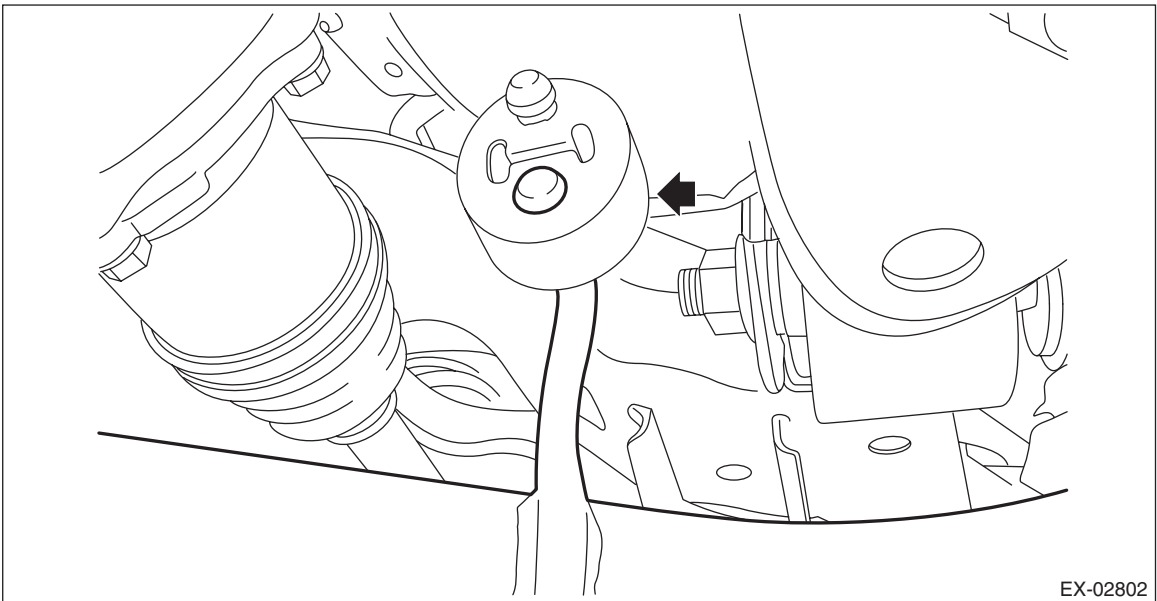
- 5 door model/XV model



- 4) Apply a coat of spray type lubricant to the mating area of cushion rubber.
- 5) Remove the rear exhaust pipe from the cushion rubber.

CAUTION:

Be careful not to let the muffler contact the rear bumper.

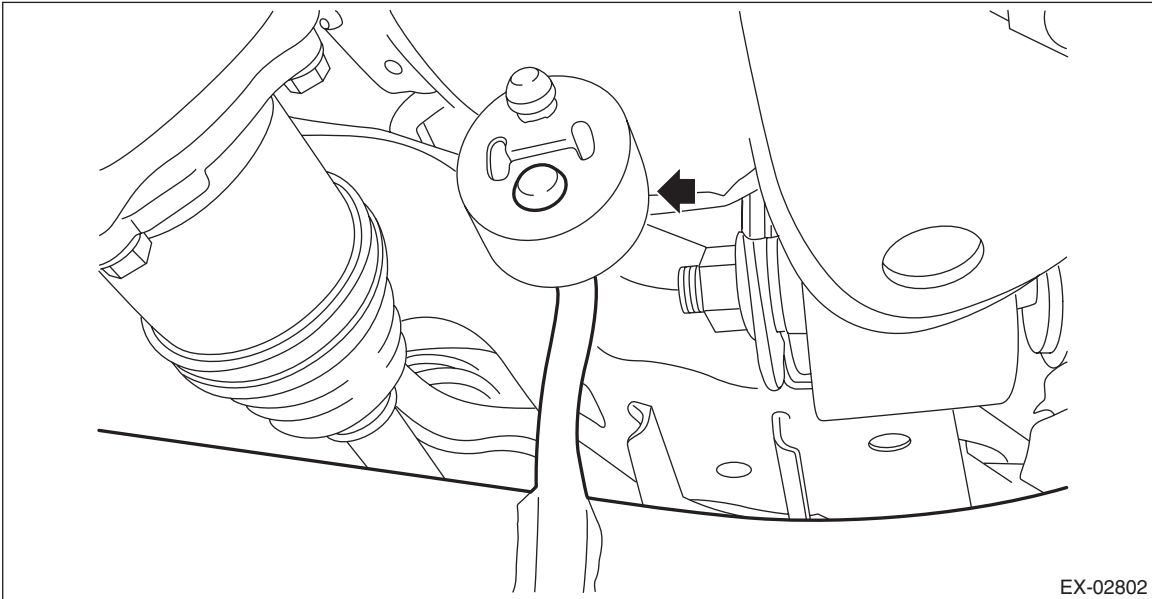


B: INSTALLATION

- 1) Apply a coat of spray type lubricant to the mating area of cushion rubber.
- 2) Install the rear exhaust pipe to cushion rubber.

NOTE:

After assembling, degrease the lubricant which was applied to the cushion rubber while removing/installing.



EX-02802

- 3) Install the rear exhaust pipe to the muffler.

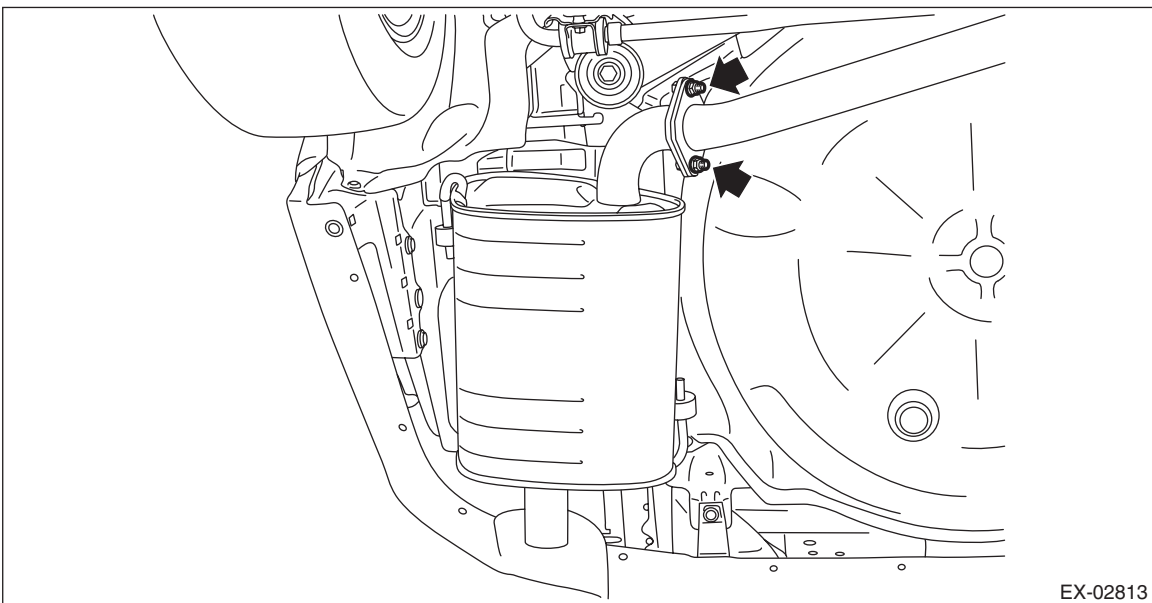
NOTE:

Use a new gasket and self-locking nut.

Tightening torque:

48 N·m (4.9 kgf-m, 35.4 ft-lb)

- 4 door model

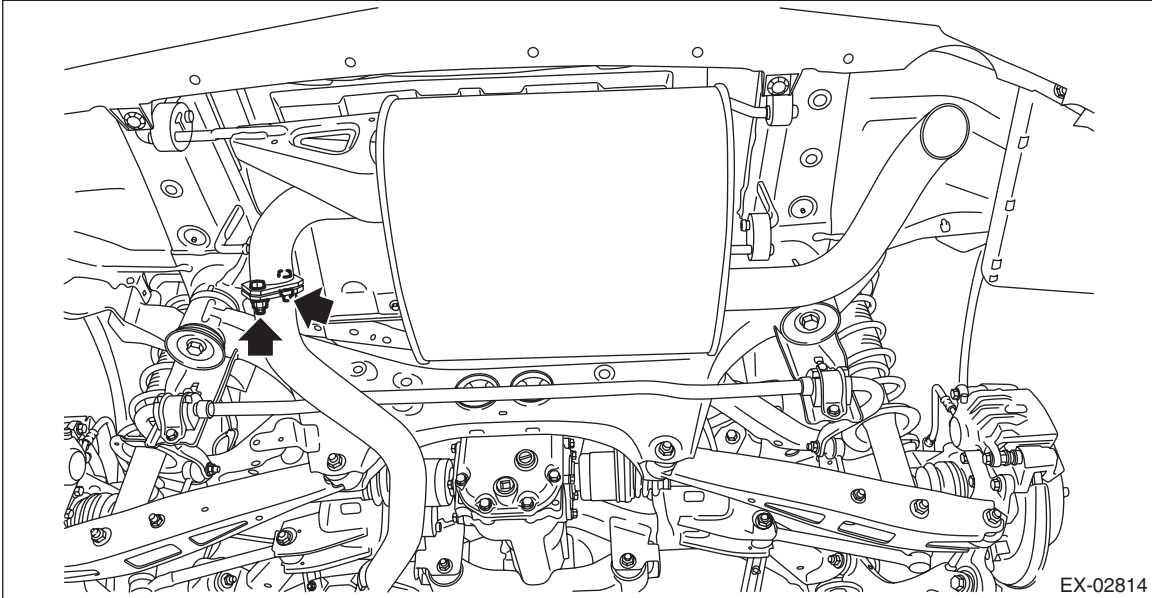


EX-02813

Rear Exhaust Pipe

EXHAUST

- 5 door model/XV model



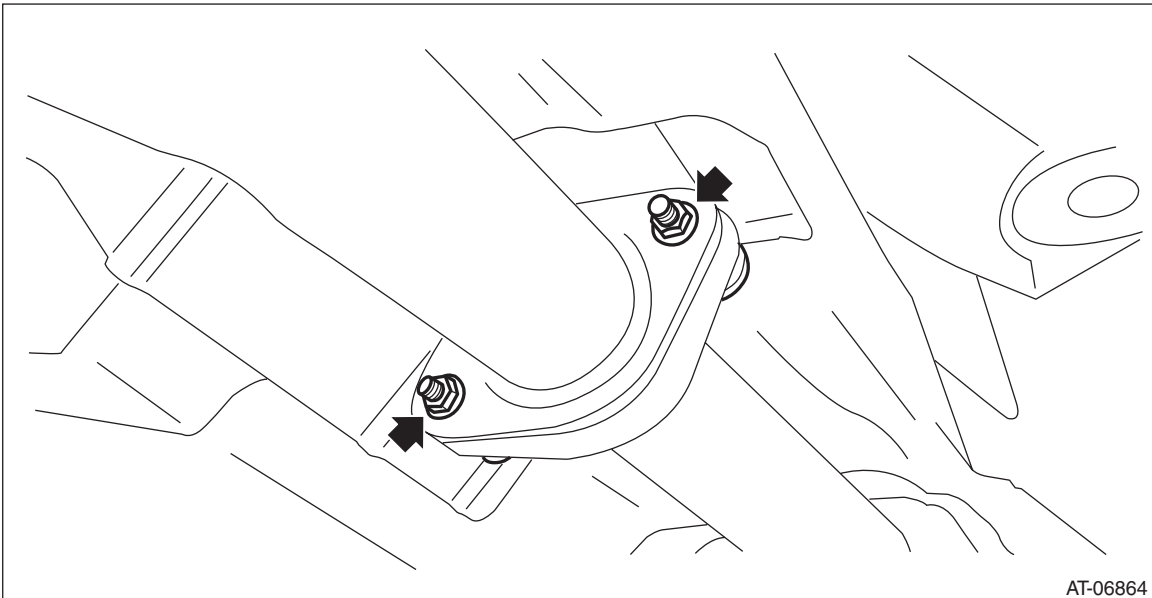
- 4) Install the center exhaust pipe to rear exhaust pipe.

NOTE:

Use a new gasket.

Tightening torque:

18 N·m (1.8 kgf-m, 13.3 ft-lb)



- 5) Lower the vehicle.

C: INSPECTION

- 1) Check the connections and welded parts for exhaust leaks.
- 2) Make sure there are no holes or rusting.
- 3) Check the cushion rubber for wear or crack.