

3. Engine Coolant

A: INSPECTION

NOTE:

When adding the engine coolant, always use SUBARU Super Coolant.

- 1) Park the vehicle on a level surface.
- 2) Check the engine coolant amount, and if the coolant level is low, check for the coolant leakage, and then add the engine coolant.
 - (1) Make sure the engine coolant level in the reservoir tank is between “FULL” and “LOW” with the engine in a cold condition.
 - (2) Open the radiator cap and make sure that the radiator is filled with the engine coolant up to its filler neck position.

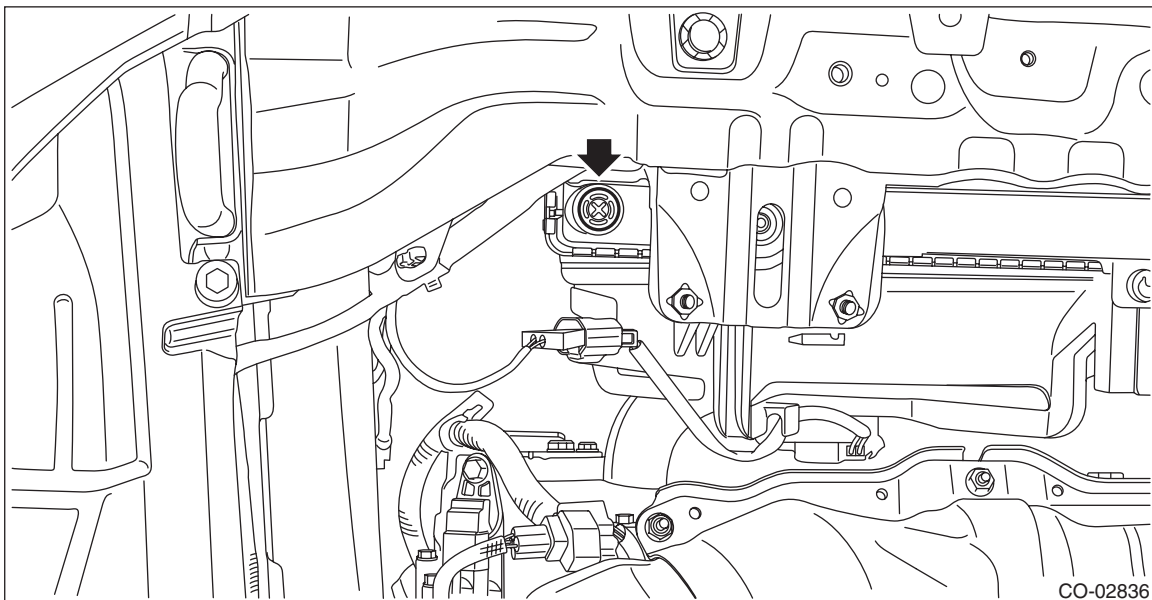
B: REPLACEMENT

1. DRAINING OF ENGINE COOLANT

- 1) Lift up the vehicle.
- 2) Remove the under cover. <Ref. to EI-27, REMOVAL, Front Under Cover.>
- 3) Remove the drain plug to drain engine coolant into container.

NOTE:

Remove the radiator cap so that engine coolant will drain faster.



- 4) Install the drain plug.
- 5) Install the under cover. <Ref. to EI-27, INSTALLATION, Front Under Cover.>

Engine Coolant

COOLING

2. FILLING OF ENGINE COOLANT

1) Pour cooling system conditioner through the filler neck.

Cooling system protective agent:

Refer to “SPECIFICATION” for cooling system protective agent. <Ref. to CO(H4DO)-2, SPECIFICATION, General Description.>

2) Pour engine coolant into the radiator up to the filler neck position.

Recommended engine coolant:

Refer to “SPECIFICATION” for recommended engine coolant. <Ref. to CO(H4DO)-2, SPECIFICATION, General Description.>

Engine coolant level:

Refer to “SPECIFICATION” for engine coolant level. <Ref. to CO(H4DO)-2, SPECIFICATION, General Description.>

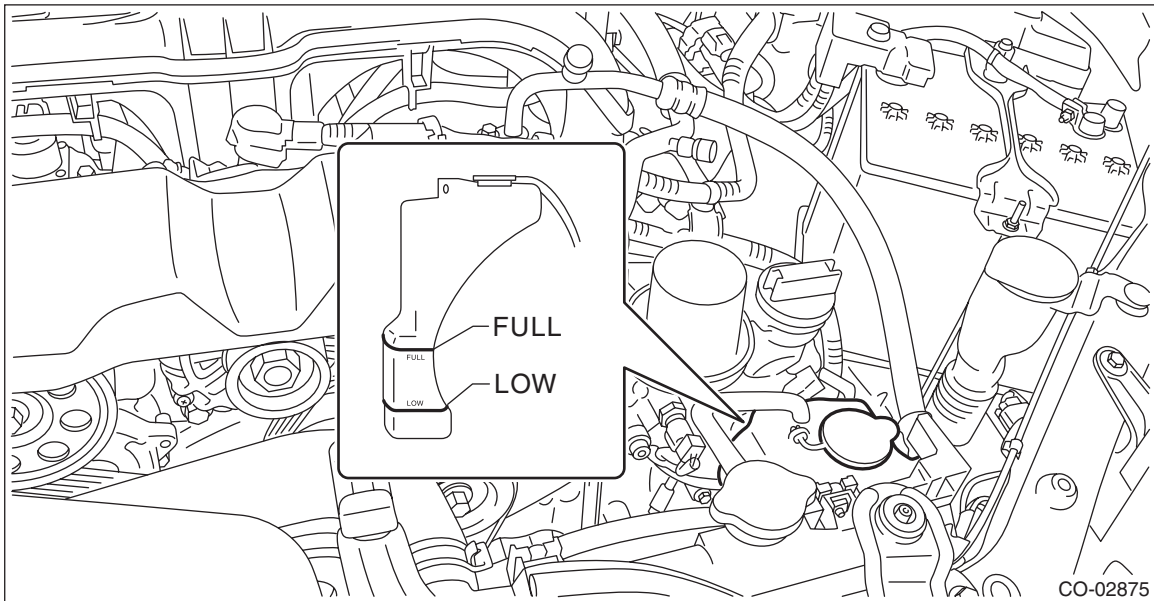
Engine coolant concentration:

Refer to “ADJUSTMENT” for the recommended engine coolant concentration. <Ref. to CO(H4DO)-15, ADJUSTMENT, Engine Coolant.>

NOTE:

The SUBARU Super Coolant contains anti-freeze and anti-rust agents, and is especially made for Subaru engines with an aluminum cylinder block. Be sure to use SUBARU Super Coolant, since other coolant may cause corrosion.

3) Fill engine coolant into the reservoir tank up to “FULL” level.



4) Close the radiator cap and start the engine. Race 5 to 6 times at 3,000 rpm or less, then stop the engine. (Complete this operation within 40 seconds.)

5) Wait for one minute after the engine stops, and open the radiator cap. If the engine coolant level drops, add engine coolant into radiator up to the filler neck position.

6) Perform the procedures 4) and 5) again.

7) Attach the radiator cap and reservoir tank cap properly.

8) Start the engine and operate the heater at maximum hot position and the blower speed setting to “LO”.

9) Run the engine at 2,000 rpm or less until radiator fan starts and stops.

NOTE:

Be careful with the engine coolant temperature to prevent overheating.

10) Stop the engine and wait until the engine coolant temperature lowers to 30°C (86°F) or less.

11) Open the radiator cap. If the engine coolant level drops, add engine coolant into the radiator up to the filler neck position and the reservoir tank to “FULL” level.

12) Attach the radiator cap correctly.

13) Set the heater setting to maximum hot position and the blower speed setting to “LO” and start the engine. Perform racing at 3,000 rpm or less. If the flowing sound is heard from heater core at this time, perform the procedures from 9) again.

C: ADJUSTMENT

1. PROCEDURE TO ADJUST THE SUBARU SUPER COOLANT CONCENTRATION

CAUTION:

Use the SUBARU Super Coolant with a 50 — 60% concentration in order to obtain maximum anti-freeze and anti-rust performance.

To adjust the concentration of SUBARU Super Coolant according to temperature, find the proper SUBARU Super Coolant concentration in the table, and add dilution water to the SUBARU Super Coolant (concentrated type) until it reaches the proper dilution.

Relationship of SUBARU Super Coolant concentration and freezing temperature			
SUBARU Super Coolant concentration	50%	55%	60%
Freezing temperature	-36°C (-33°F)	-41°C (-42°F)	-50°C (-58°F)

Engine coolant and diluting water:

Refer to “SPECIFICATION” for recommended engine coolant and diluting water. <Ref. to CO(H4DO)-2, SPECIFICATION, General Description.>