

Water Pump

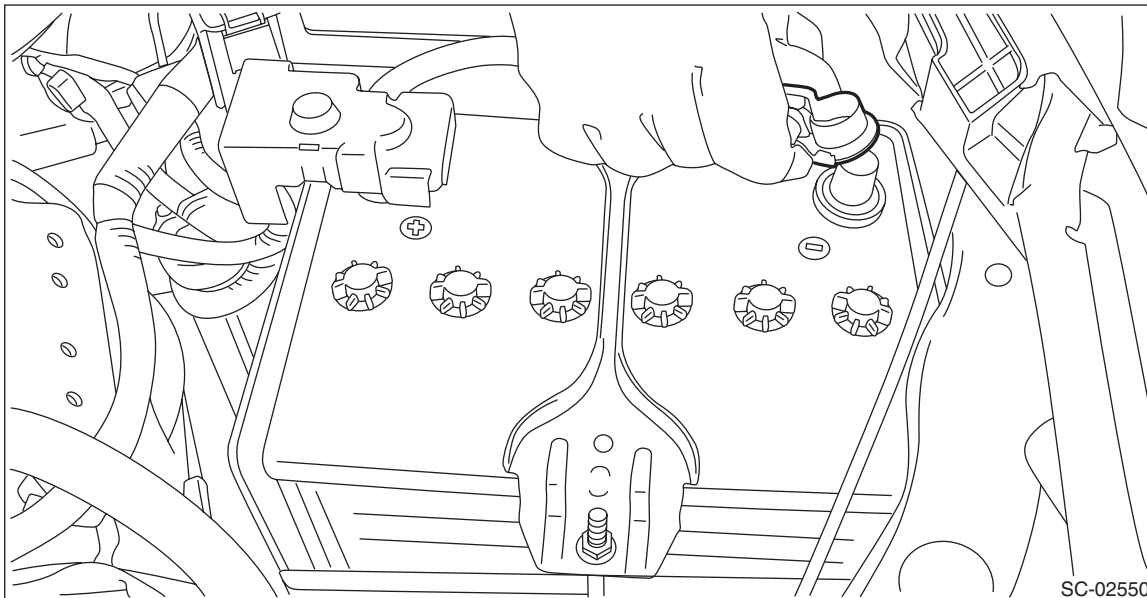
COOLING

4. Water Pump

A: REMOVAL

1. WATER PUMP PULLEY

1) Disconnect the ground cable from battery.



2) Remove the V-belts. <Ref. to ME(H4DO)-75, REMOVAL, V-belt.>

3) Remove the main fan motor assembly. <Ref. to CO(H4DO)-43, REMOVAL, Radiator Main Fan and Fan Motor.>

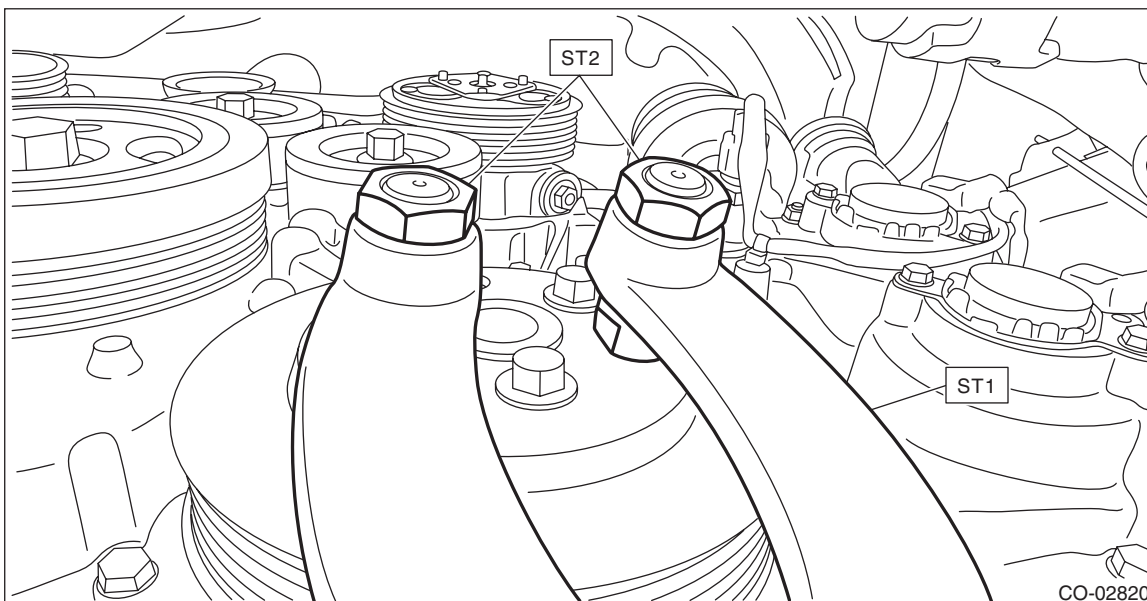
4) Lift up the vehicle.

5) Remove the under cover. <Ref. to EI-27, REMOVAL, Front Under Cover.>

6) Remove the water pump pulley using the ST.

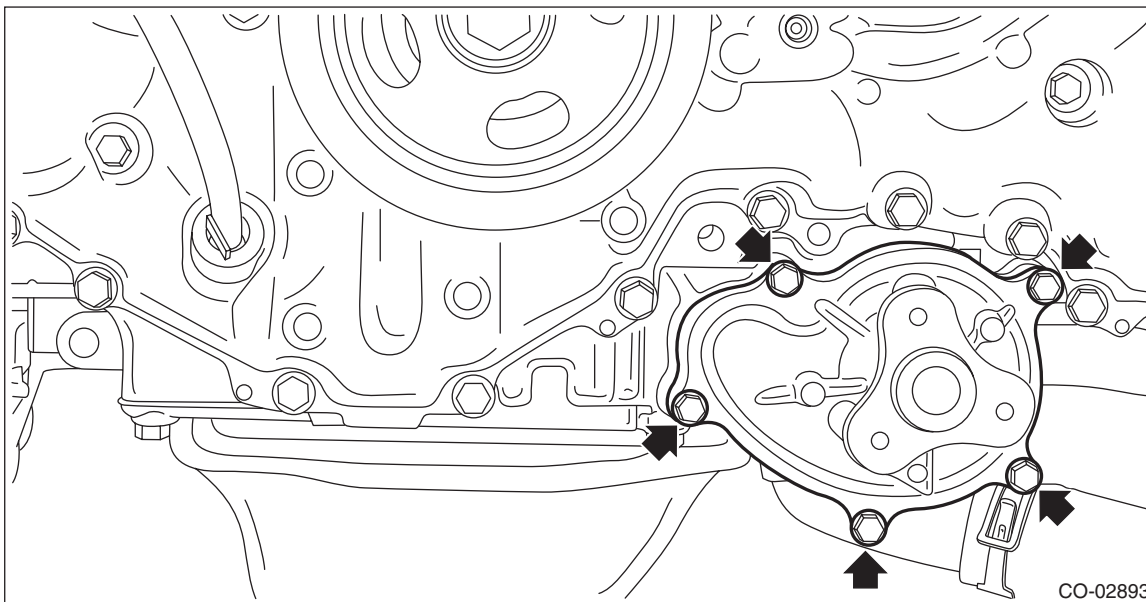
ST1 18355AA000 PULLEY WRENCH

ST2 18334AA030 PULLEY WRENCH PIN SET



2. WATER PUMP

- 1) Drain engine coolant. <Ref. to CO(H4DO)-13, DRAINING OF ENGINE COOLANT, REPLACEMENT, Engine Coolant.>
- 2) Remove the water pump pulley. <Ref. to CO(H4DO)-16, WATER PUMP PULLEY, REMOVAL, Water Pump.>
- 3) Remove the front exhaust pipe. <Ref. to EX(H4DO)-7, REMOVAL, Front Exhaust Pipe.>
- 4) Remove the water pump from the oil pan upper.



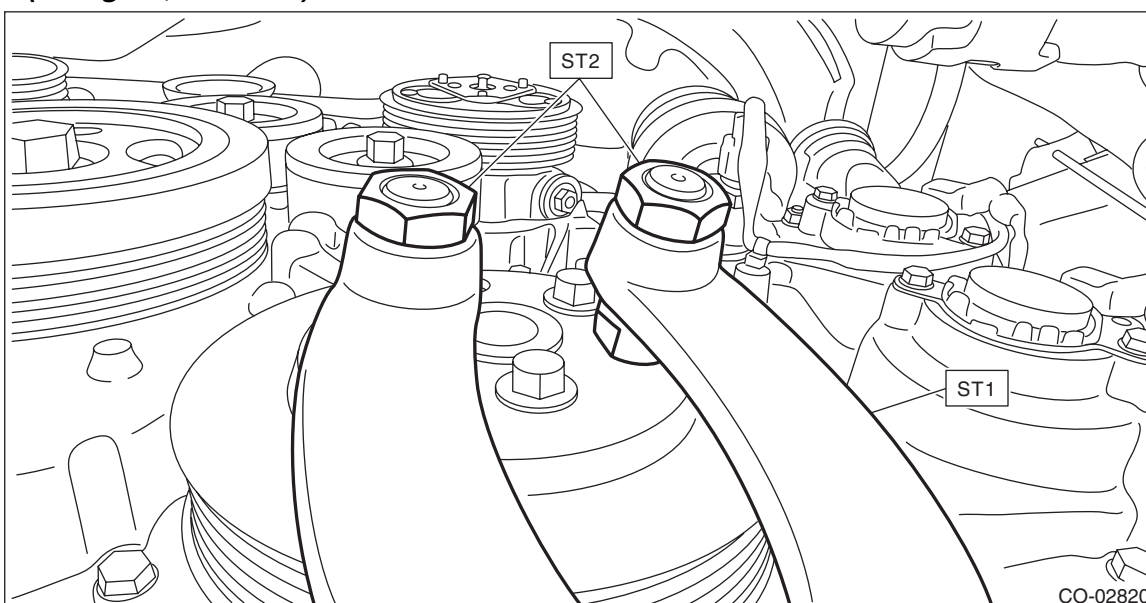
B: INSTALLATION

1. WATER PUMP PULLEY

- 1) Using the ST, install the water pump pulley.
- ST1 18355AA000 PULLEY WRENCH
 ST2 18334AA030 PULLEY WRENCH PIN SET

Tightening torque:

14 N·m (1.4 kgf·m, 10.3 ft·lb)

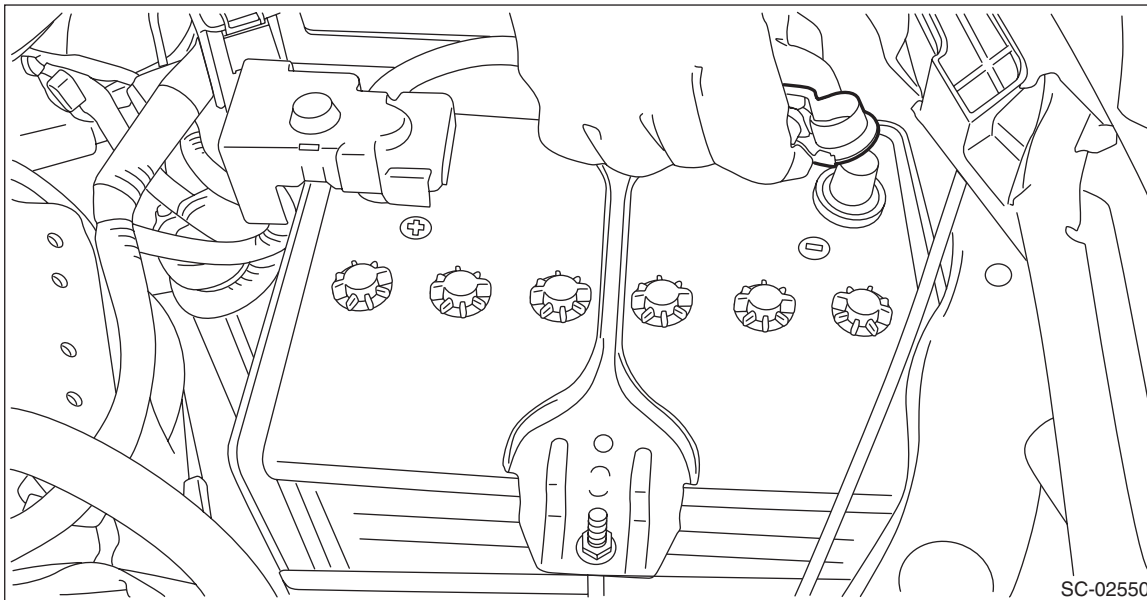


- 2) Install the under cover. <Ref. to EI-27, INSTALLATION, Front Under Cover.>
- 3) Lower the vehicle.

Water Pump

COOLING

- 4) Install the main fan motor assembly. <Ref. to CO(H4DO)-44, INSTALLATION, Radiator Main Fan and Fan Motor.>
- 5) Install the V-belts. <Ref. to ME(H4DO)-77, INSTALLATION, V-belt.>
- 6) Connect the battery ground terminal.



2. WATER PUMP

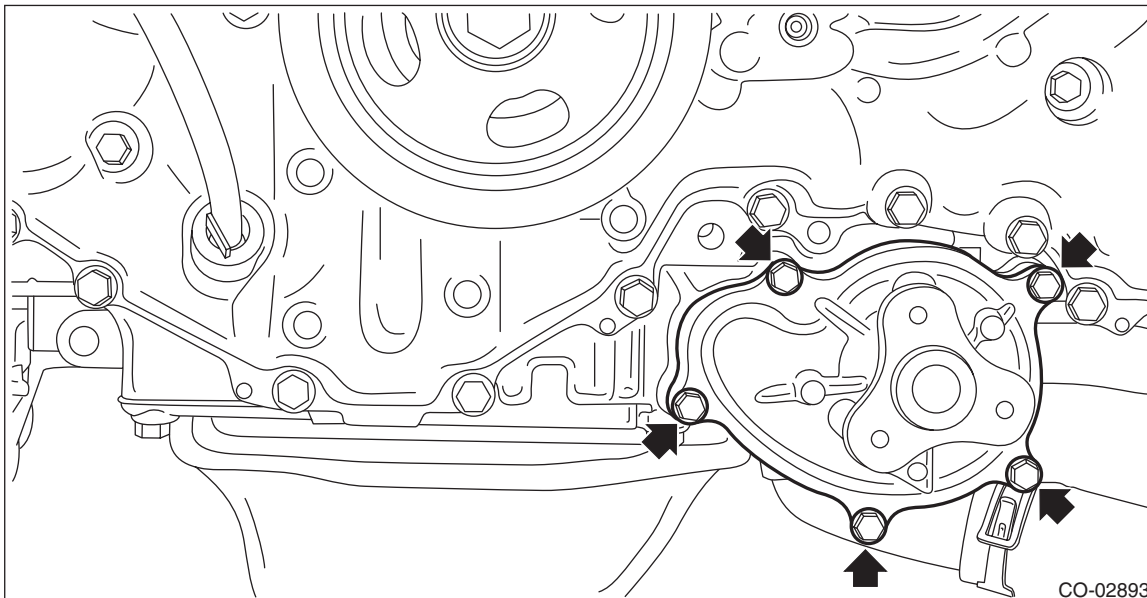
- 1) Install the water pump to oil pan upper.

NOTE:

Use a new gasket.

Tightening torque:

6.4 N·m (0.7 kgf·m, 4.7 ft·lb)



- 2) Install the front exhaust pipe. <Ref. to EX(H4DO)-10, INSTALLATION, Front Exhaust Pipe.>
- 3) Install the water pump pulley. <Ref. to CO(H4DO)-17, WATER PUMP PULLEY, INSTALLATION, Water Pump.>
- 4) Fill engine coolant. <Ref. to CO(H4DO)-14, FILLING OF ENGINE COOLANT, REPLACEMENT, Engine Coolant.>

C: INSPECTION

- 1) Check the water pump bearing for smooth rotation.
- 2) Check the water pump pulley for abnormalities.
- 3) Make sure the impeller is not abnormally deformed or damaged.