

Thermostat

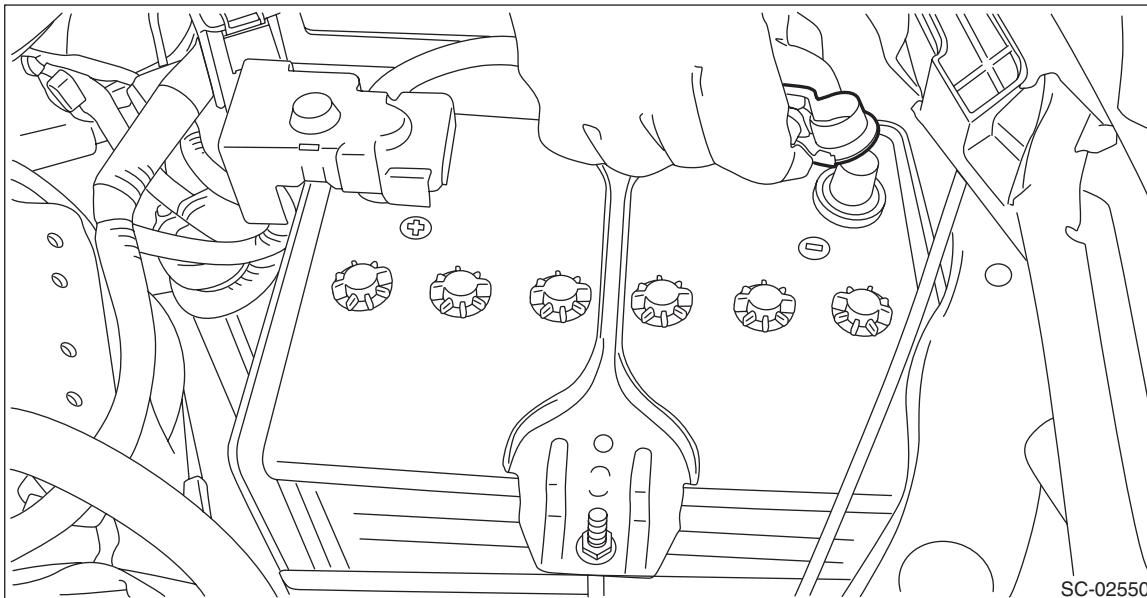
COOLING

5. Thermostat

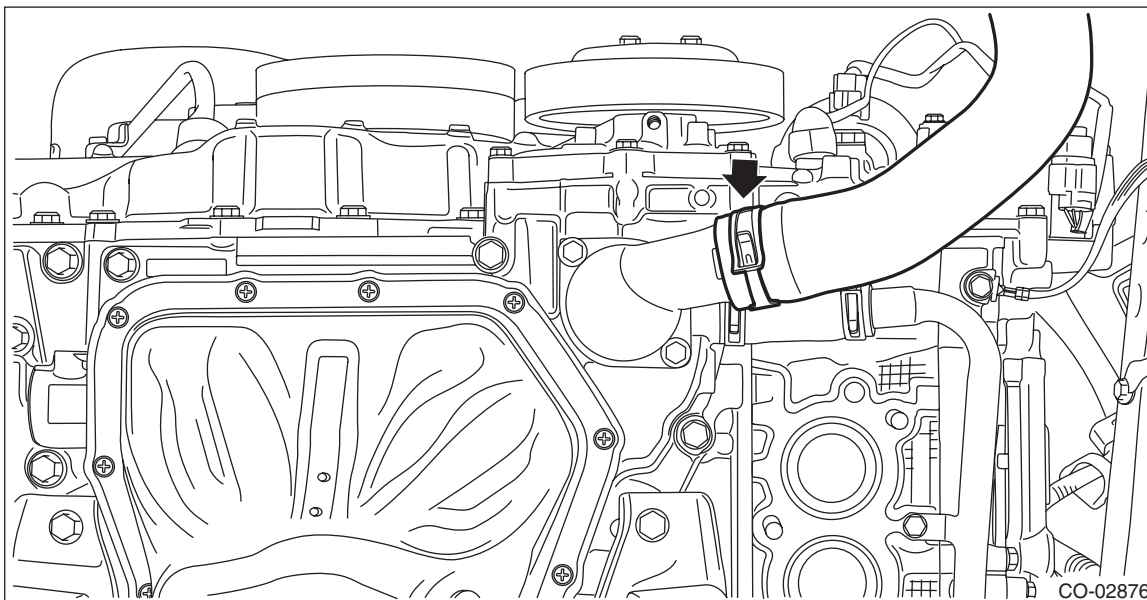
A: REMOVAL

1. ENGINE SIDE

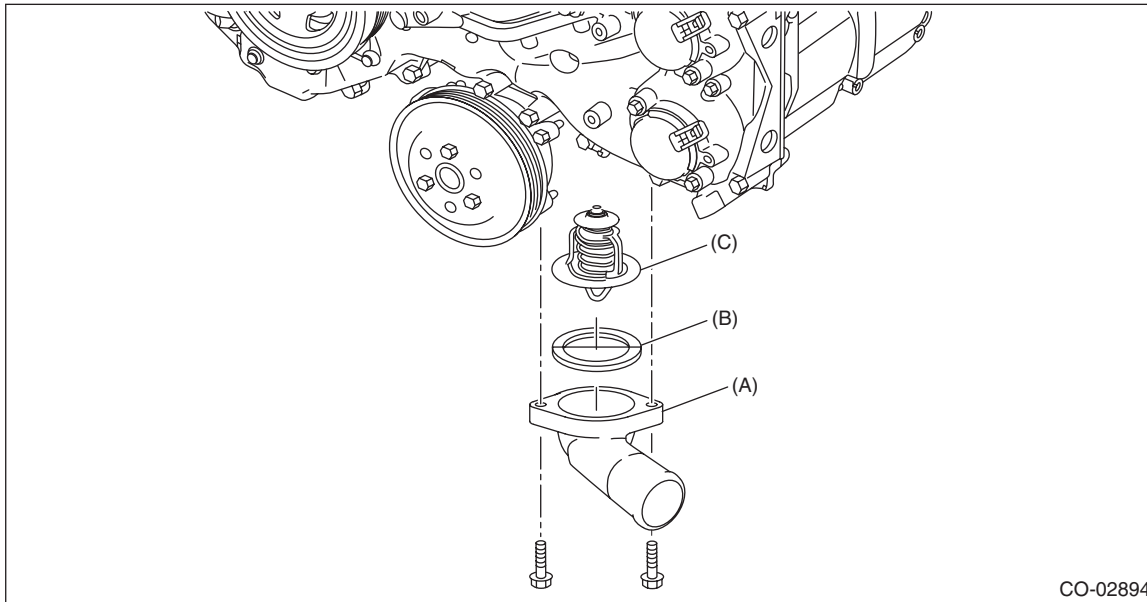
- 1) Disconnect the ground cable from battery.



- 2) Lift up the vehicle.
- 3) Remove the under cover. <Ref. to EI-27, REMOVAL, Front Under Cover.>
- 4) Drain engine coolant. <Ref. to CO(H4DO)-13, DRAINING OF ENGINE COOLANT, REPLACEMENT, Engine Coolant.>
- 5) Remove the front exhaust pipe. <Ref. to EX(H4DO)-7, REMOVAL, Front Exhaust Pipe.>
- 6) Disconnect the radiator outlet hose from thermostat cover.



7) Remove the thermostat cover, and then remove the gasket and thermostat.



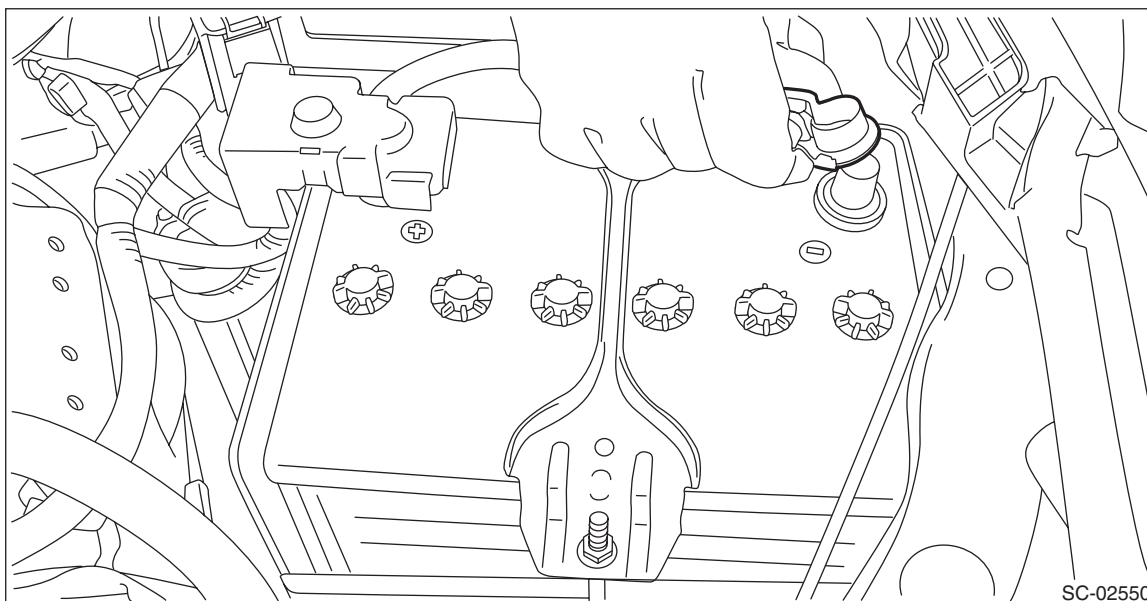
(A) Thermostat cover

(B) Gasket

(C) Thermostat

2. ATF COOLER (WITH WARMER FEATURE) SIDE

- 1) Lift up the vehicle.
- 2) Remove the under cover. <Ref. to EI-27, REMOVAL, Front Under Cover.>
- 3) Drain engine coolant. <Ref. to CO(H4DO)-13, DRAINING OF ENGINE COOLANT, REPLACEMENT, Engine Coolant.>
- 4) Lower the vehicle.
- 5) Disconnect the ground cable from battery.



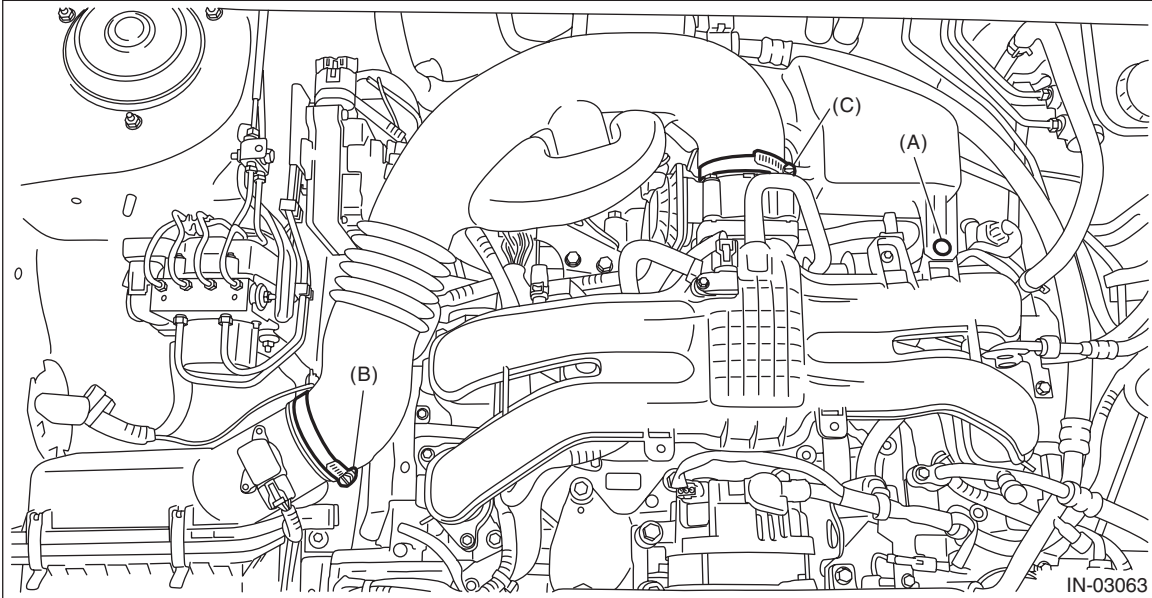
6) Remove the clip (A) from the air intake boot.

7) Loosen the clamp (B) connecting the air intake boot and air cleaner case (rear).

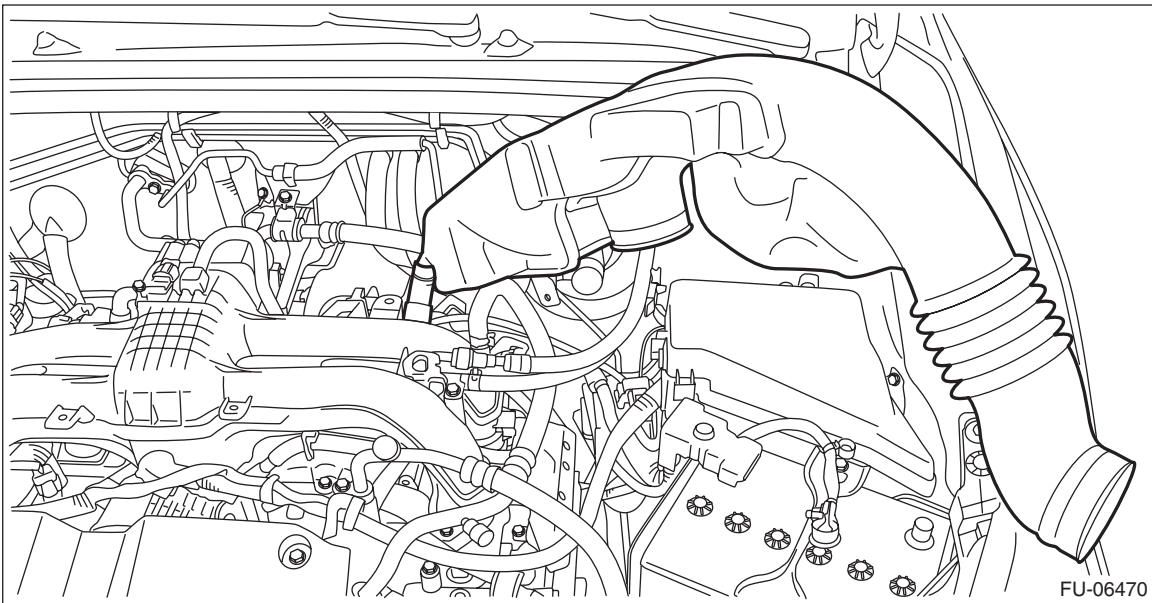
Thermostat

COOLING

8) Loosen the clamp (C) which connects the air intake boot and throttle body.

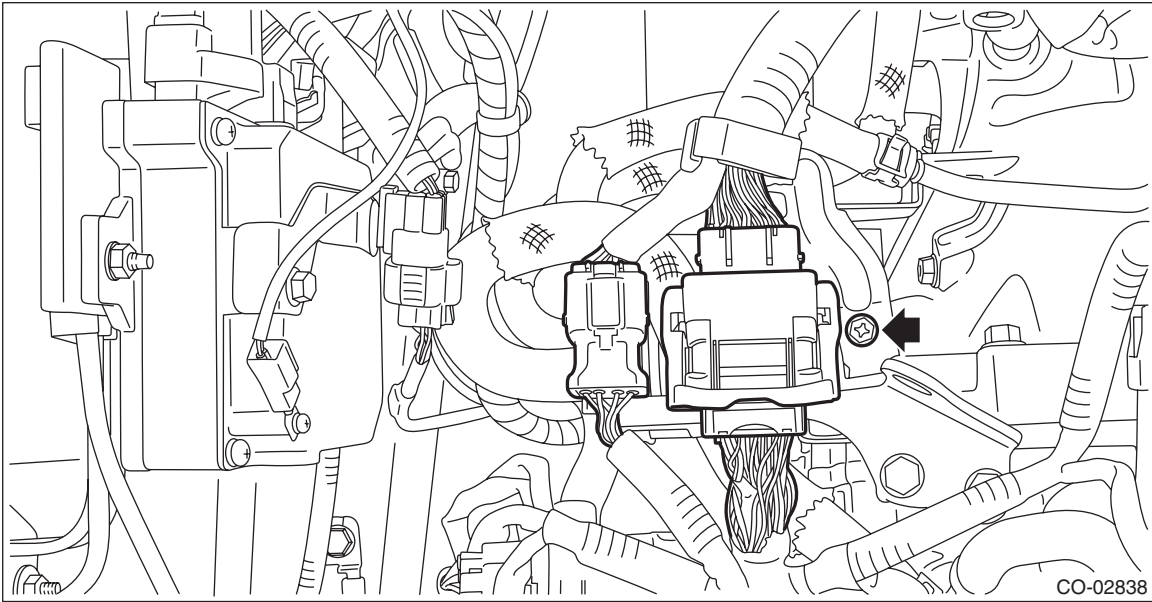


9) Remove the air intake boot from the throttle body, and move the air intake boot to the left side wheel apron.

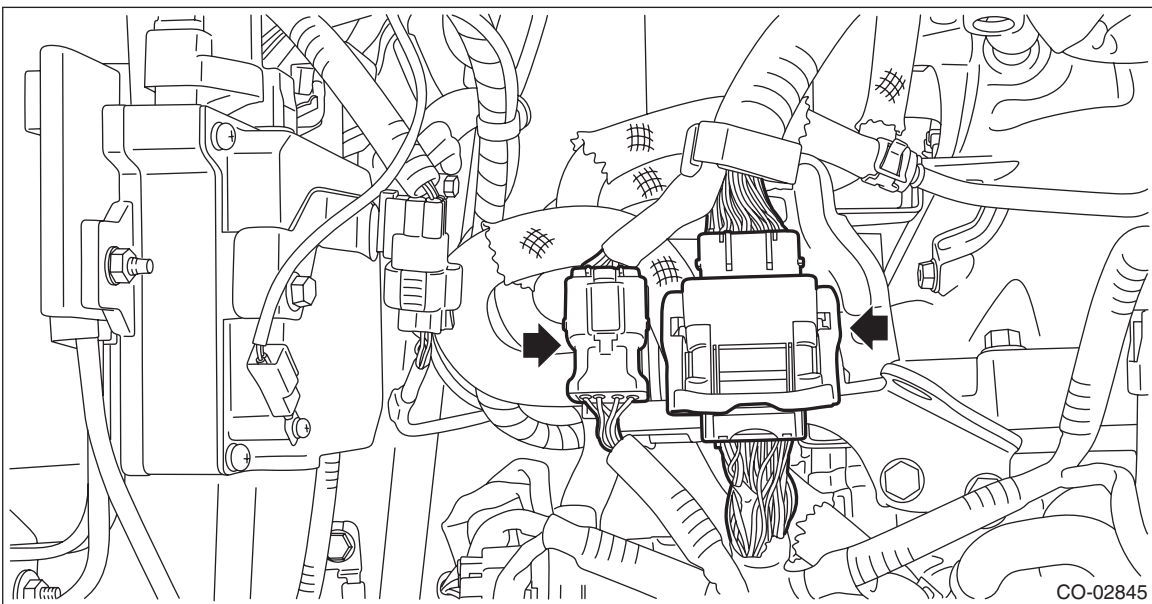


10) Disconnect the engine harness connector.

(1) Remove the bolt securing the bulkhead harness connector bracket.



(2) Disconnect the bulkhead harness connector from the engine harness connector (black) and engine harness connector (brown).



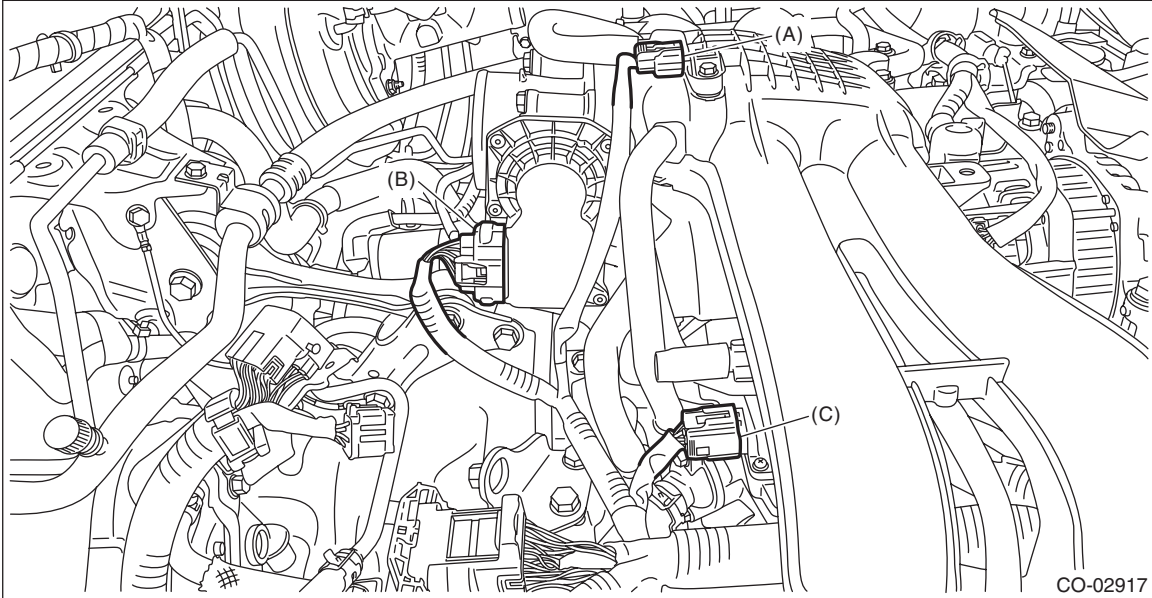
11) Disconnect the connector (A) from manifold absolute pressure sensor.

12) Disconnect the connector (B) from the throttle position sensor.

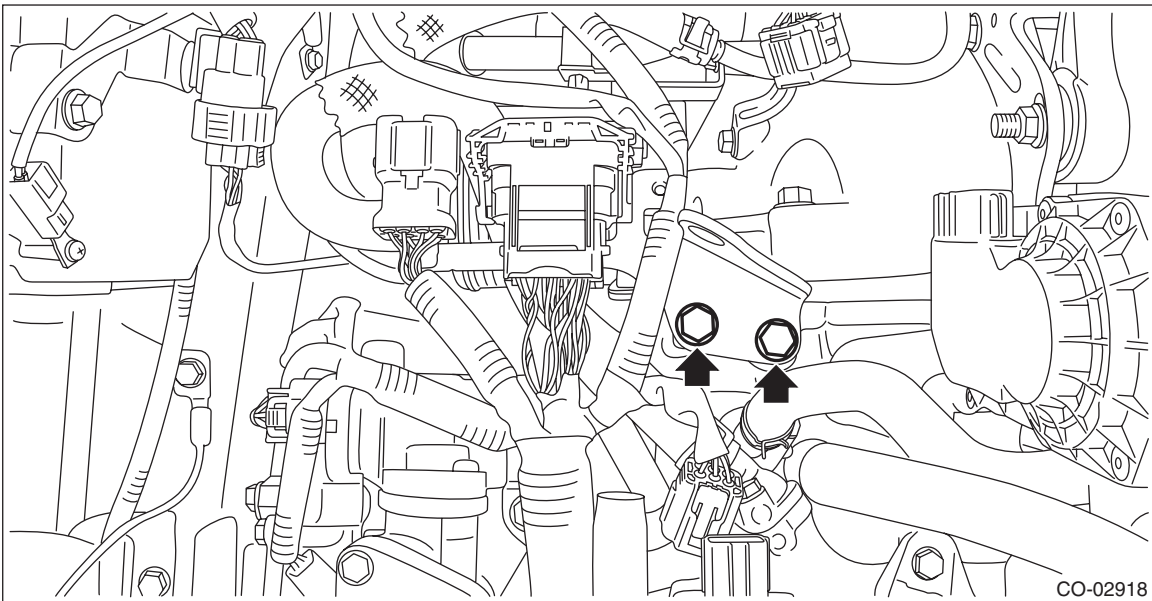
Thermostat

COOLING

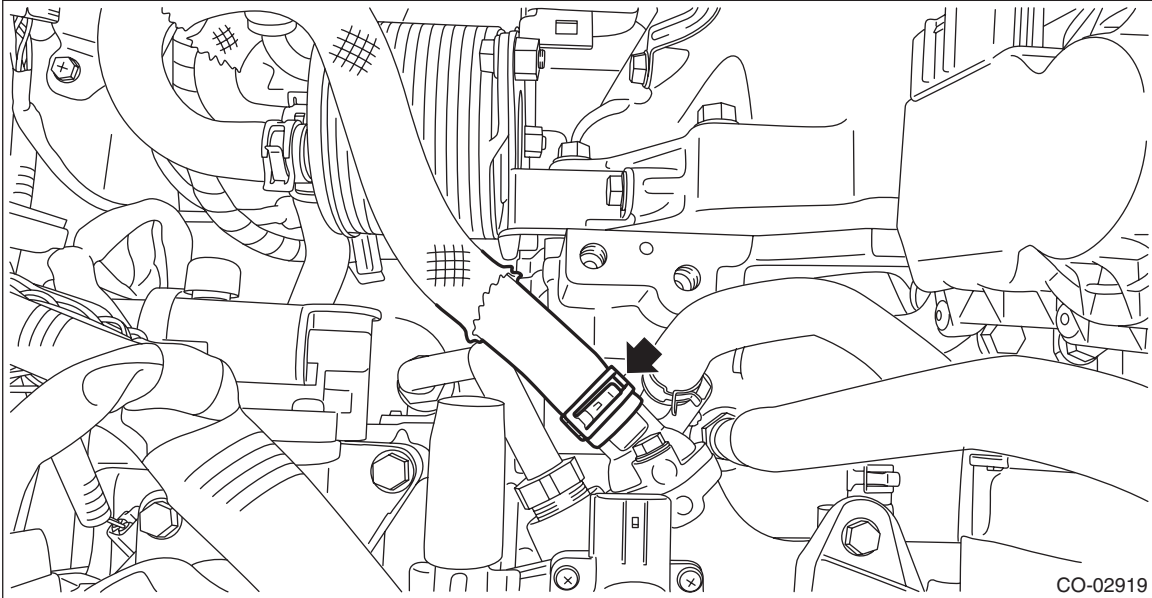
13) Disconnect the connector (C) from the EGR control valve.



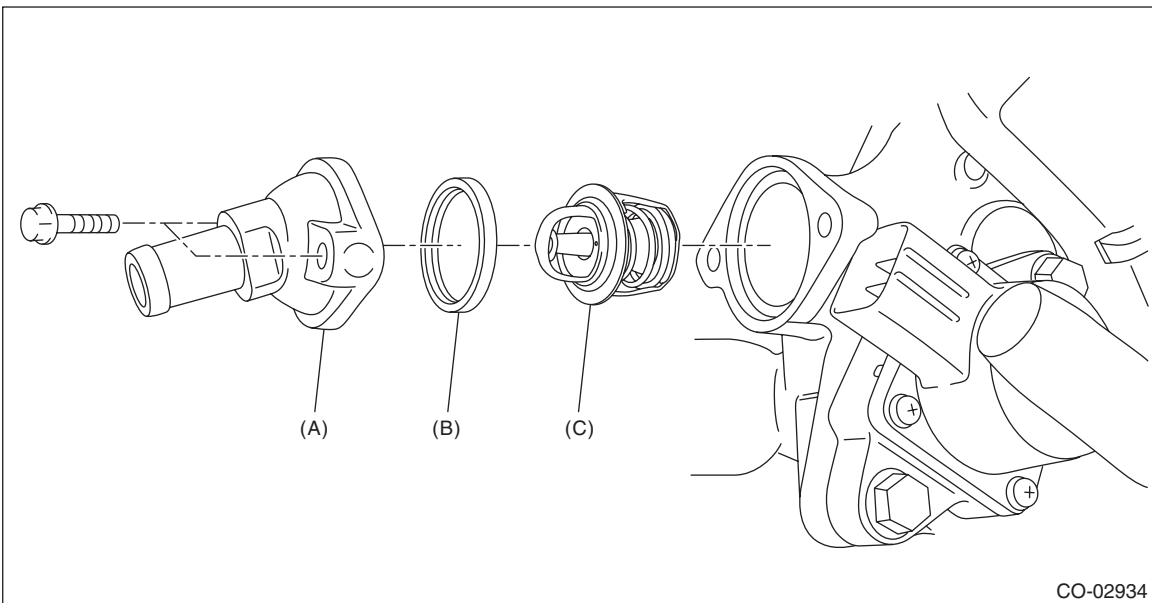
14) Remove the bolt securing the engine hanger from the cylinder block RH, and move the hanger to the right side wheel apron.



15) Disconnect the hose from the thermostat cover.



16) Remove the thermostat cover, and then remove the thermostat and gasket.



(A) Thermostat cover

(B) Gasket

(C) Thermostat

Thermostat

COOLING

B: INSTALLATION

1. ENGINE SIDE

1) Install a gasket to thermostat.

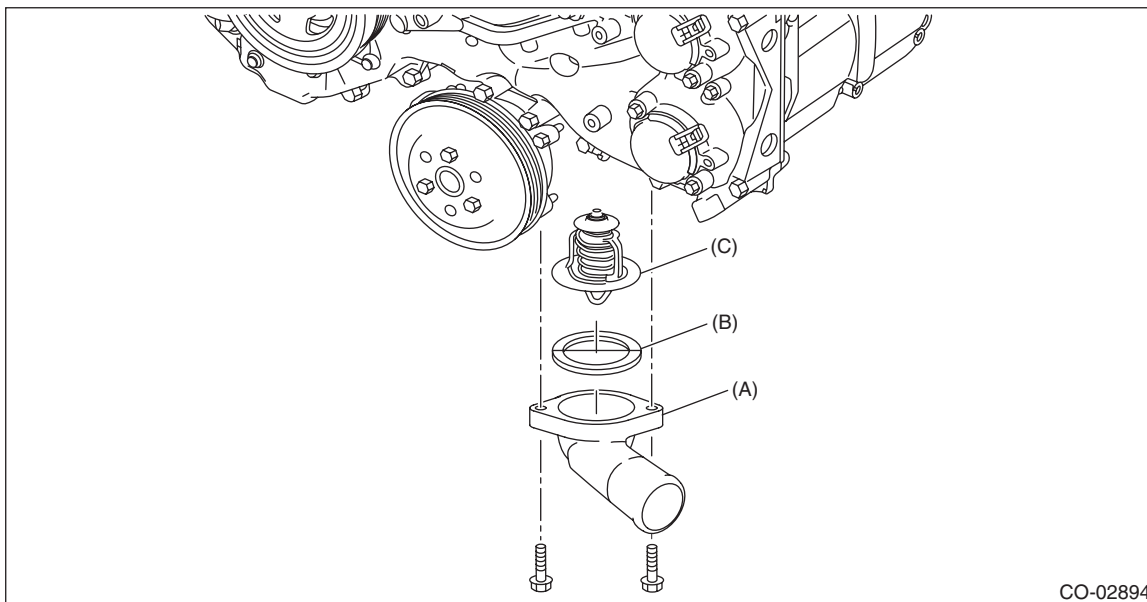
NOTE:

Use a new gasket.

2) Install the thermostat and thermostat cover.

Tightening torque:

6.4 N·m (0.7 kgf·m, 4.7 ft·lb)

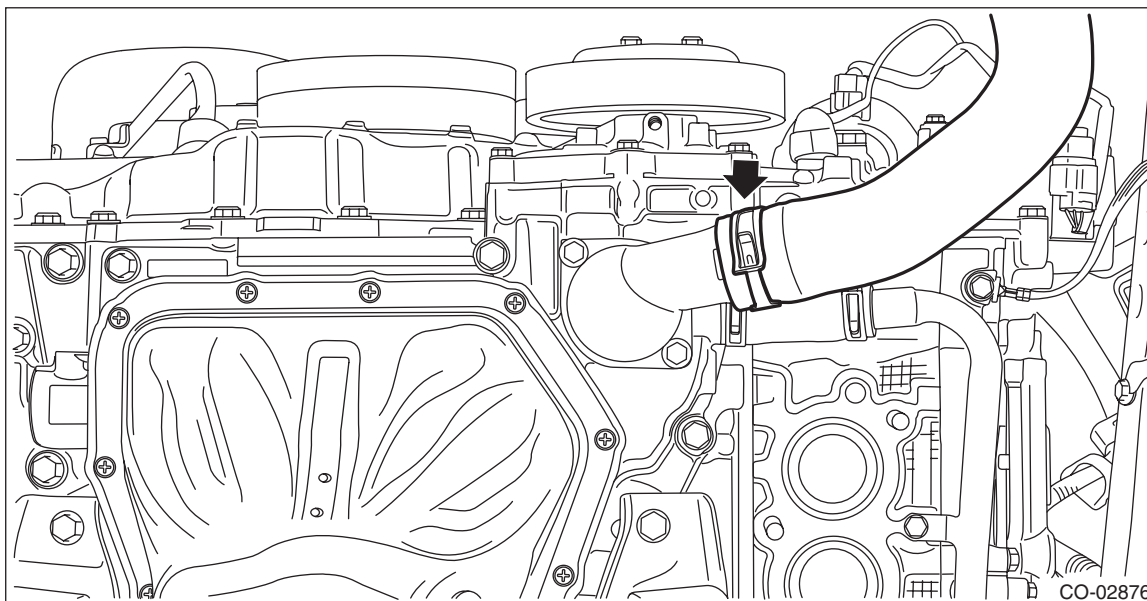


(A) Thermostat cover

(B) Gasket

(C) Thermostat

3) Connect the radiator outlet hose to thermostat cover.

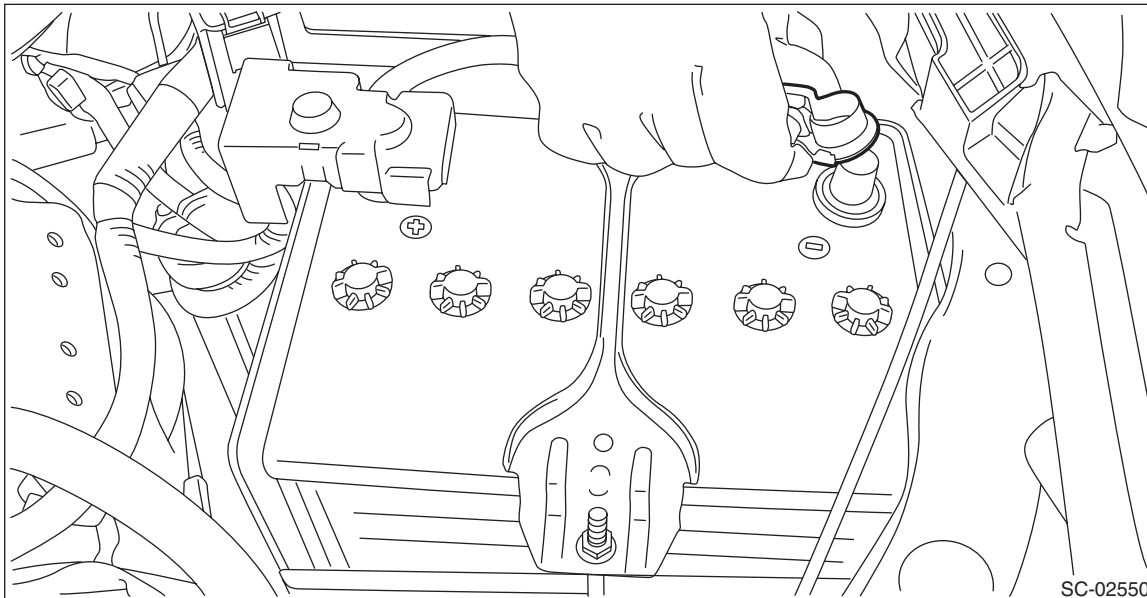


4) Install the front exhaust pipe. <Ref. to EX(H4DO)-10, INSTALLATION, Front Exhaust Pipe.>

5) Install the under cover. <Ref. to EI-27, INSTALLATION, Front Under Cover.>

6) Lower the vehicle.

7) Connect the battery ground terminal.



8) Fill engine coolant. <Ref. to CO(H4DO)-14, FILLING OF ENGINE COOLANT, REPLACEMENT, Engine Coolant.>

2. ATF COOLER (WITH WARMER FEATURE) SIDE

1) Install a gasket to thermostat.

NOTE:

Use a new gasket.

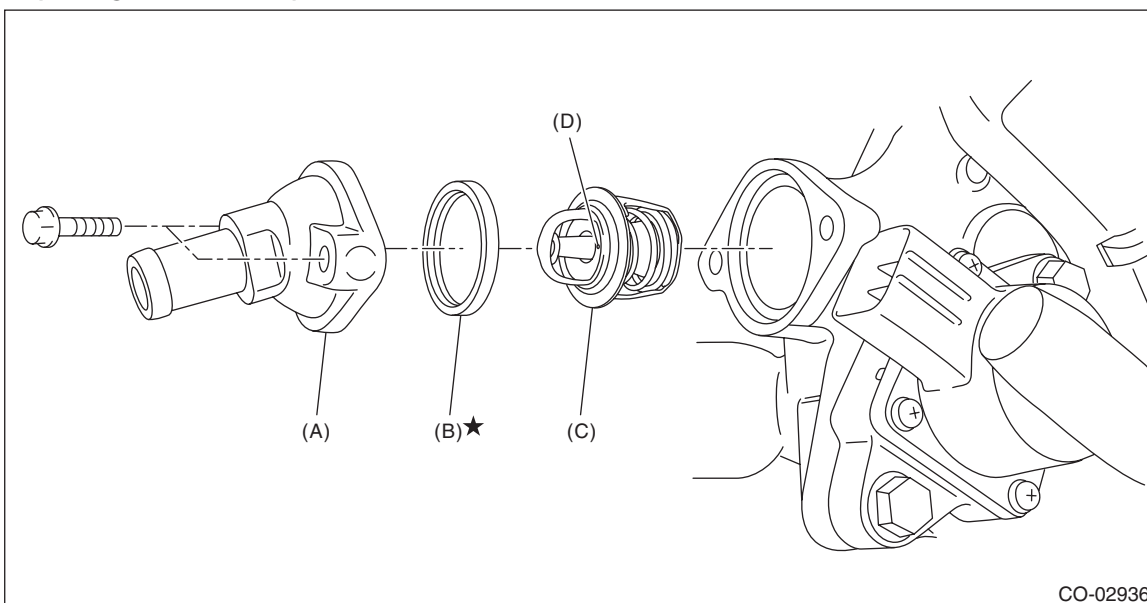
2) Install the thermostat and thermostat cover.

NOTE:

Install the parts with the air vent hole facing upward.

Tightening torque:

6.4 N·m (0.7 kgf·m, 4.7 ft·lb)



(A) Thermostat cover

(B) Gasket

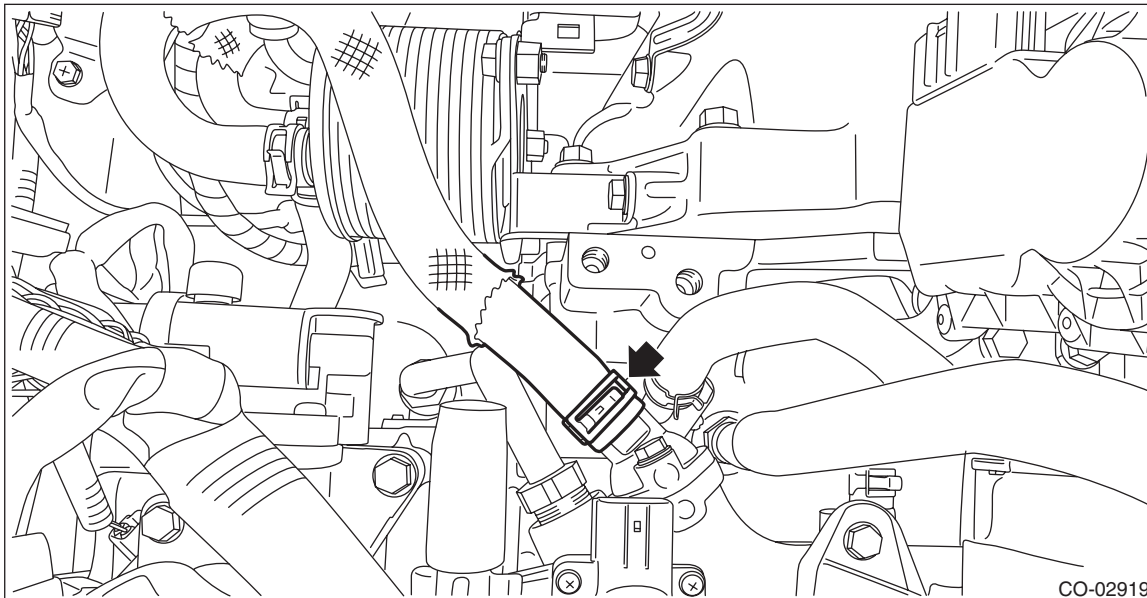
(C) Thermostat

(D) Air vent hole

Thermostat

COOLING

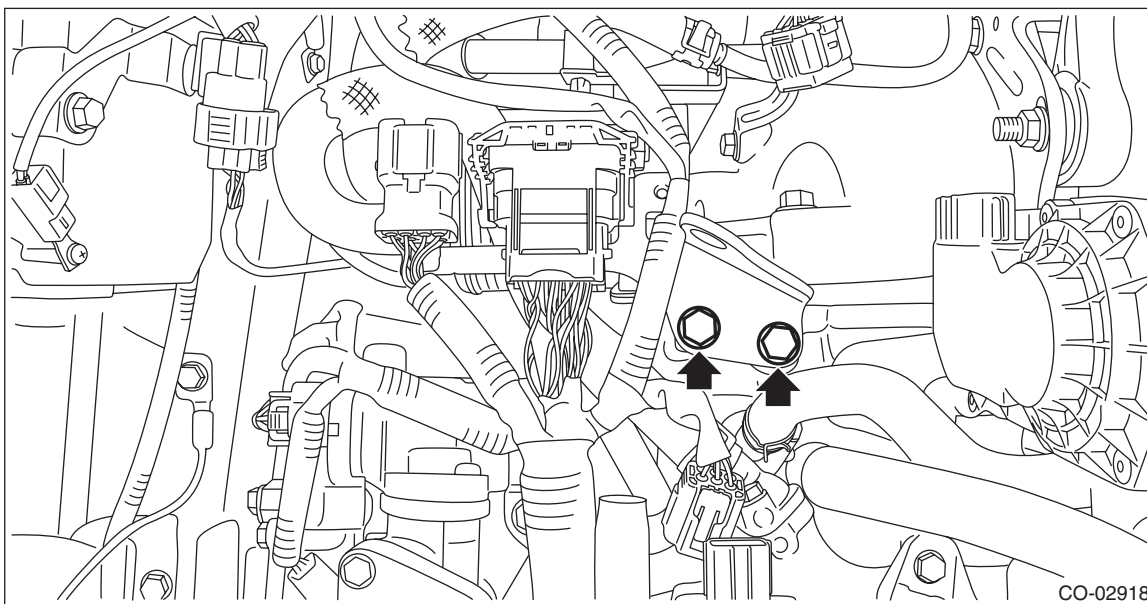
3) Connect the hose to the thermostat cover.



4) Install the engine hanger to the cylinder block RH.

Tightening torque:

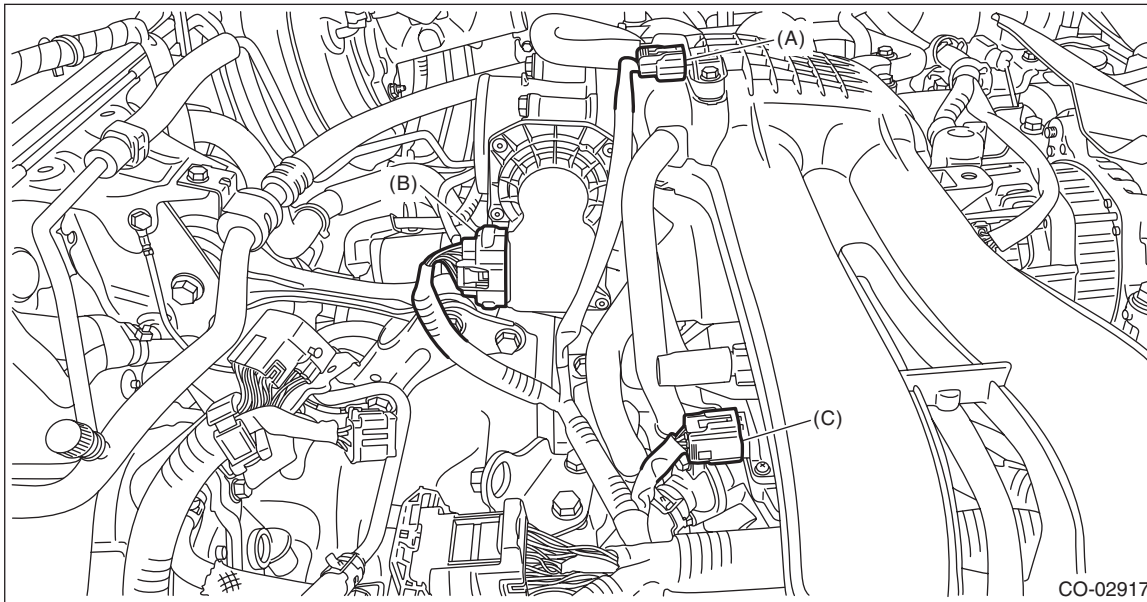
21 N·m (2.1 kgf-m, 15.5 ft-lb)



5) Connect the connector (A) to the manifold absolute pressure sensor.

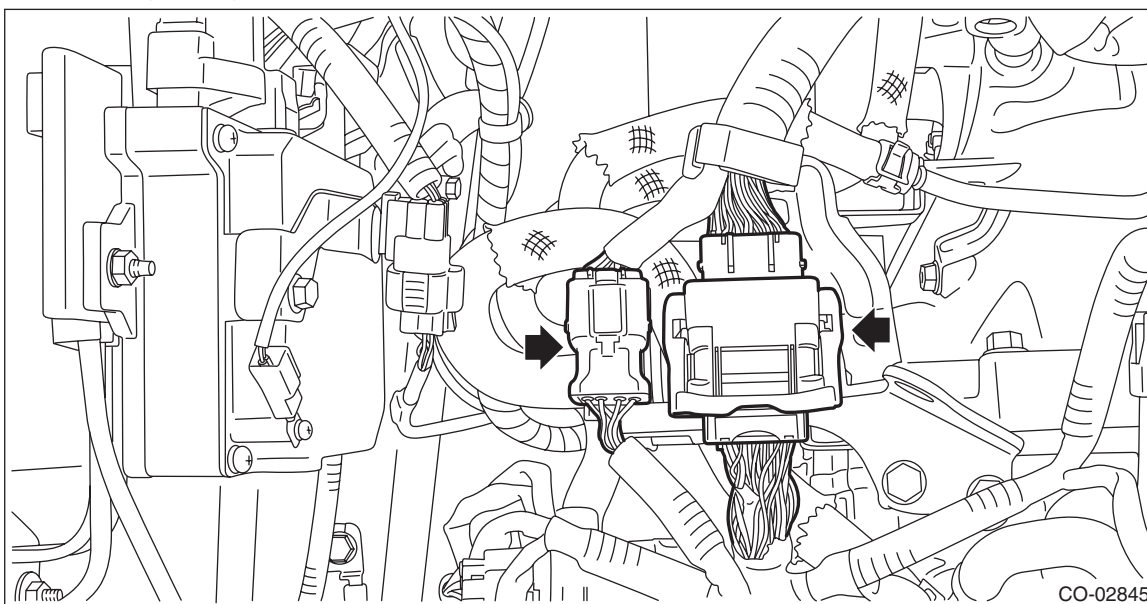
6) Connect the connector (B) to the throttle position sensor.

7) Connect the connector (C) to the EGR control valve.



8) Connect the engine harness connector.

(1) Connect the bulkhead harness connector to the engine harness connector (black) and engine harness connector (brown).



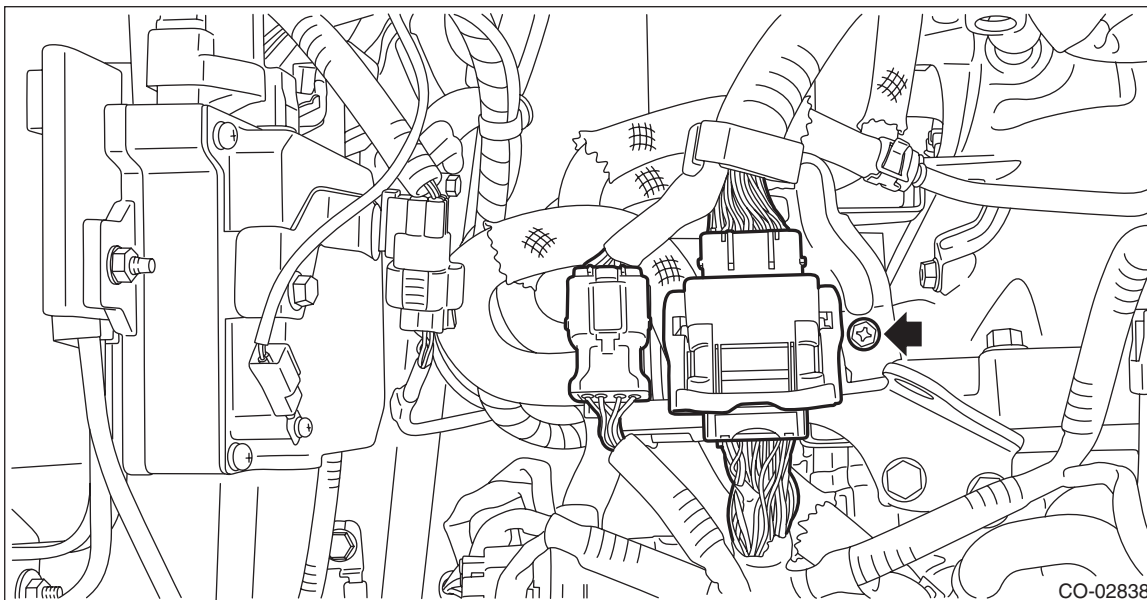
Thermostat

COOLING

(2) Install the bolt which secures the bulkhead harness connector bracket.

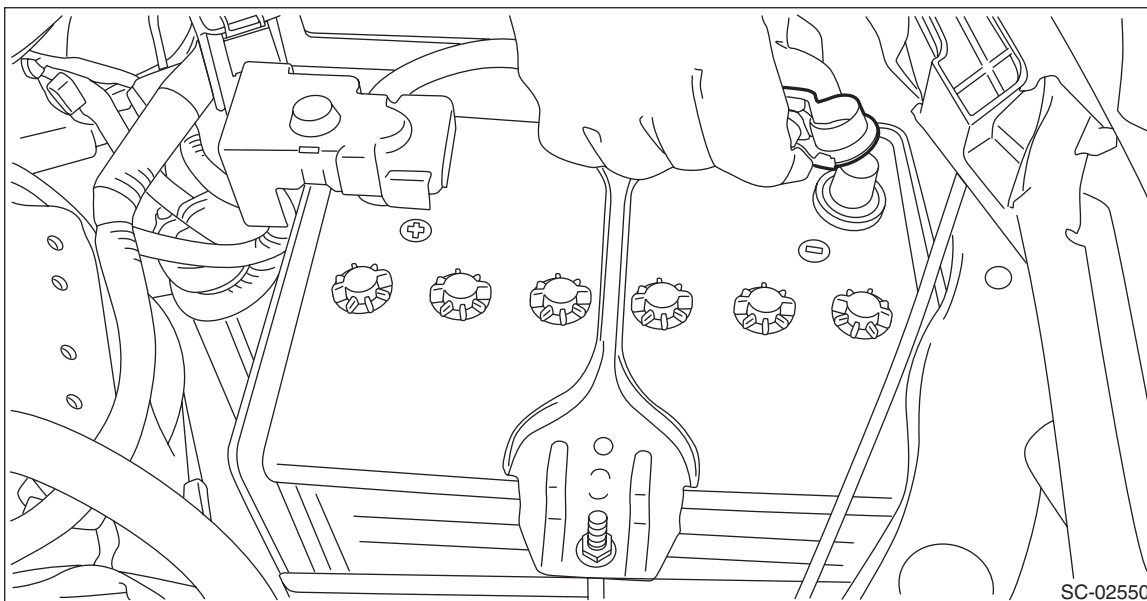
Tightening torque:

7.5 N·m (0.8 kgf·m, 5.5 ft·lb)



9) Install the air intake boot. <Ref. to IN(H4DO)-12, INSTALLATION, Air Intake Boot.>

10) Connect the battery ground terminal.



11) Lift up the vehicle.

12) Install the under cover. <Ref. to EI-27, INSTALLATION, Front Under Cover.>

13) Lower the vehicle.

14) Fill engine coolant. <Ref. to CO(H4DO)-14, FILLING OF ENGINE COOLANT, REPLACEMENT, Engine Coolant.>

C: INSPECTION

- 1) Check that the thermostat does not have deformation, cracks or damage.
- 2) Check that the thermostat valve closes completely at an ambient temperature.
- 3) Immerse the thermostat and a thermometer in water. Raise water temperature gradually, and check the temperature and valve lift when the valve begins to open and when the valve is fully opened. Replace the thermostat if faulty.

NOTE:

- During the test, agitate the water for even temperature distribution.
- Leave the thermostat in the boiling water for five minutes or more before measuring the valve lift.
- Hold the thermostat with a wire or the like to avoid contacting with container bottom.

Starting temperature to open:

Engine side

87 — 91°C (189 — 196°F)

ATF cooler (with warmer feature) side

48 — 52°C (118 — 126°F)

Full open temperature:

Engine side

98°C (208°F)

ATF cooler (with warmer feature) side

63°C (145°F)

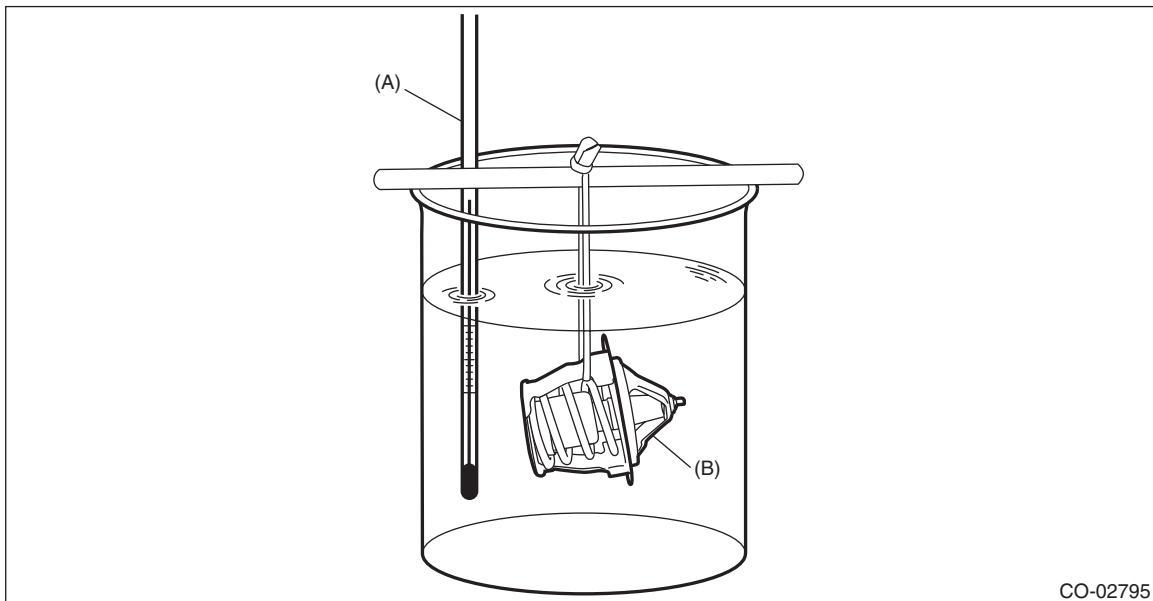
Total valve lift:

Engine side

8.0 mm (0.315 in) or more

ATF cooler (with warmer feature) side

6.0 mm (0.236 in) or more



CO-02795

(A) Thermometer

(B) Thermostat