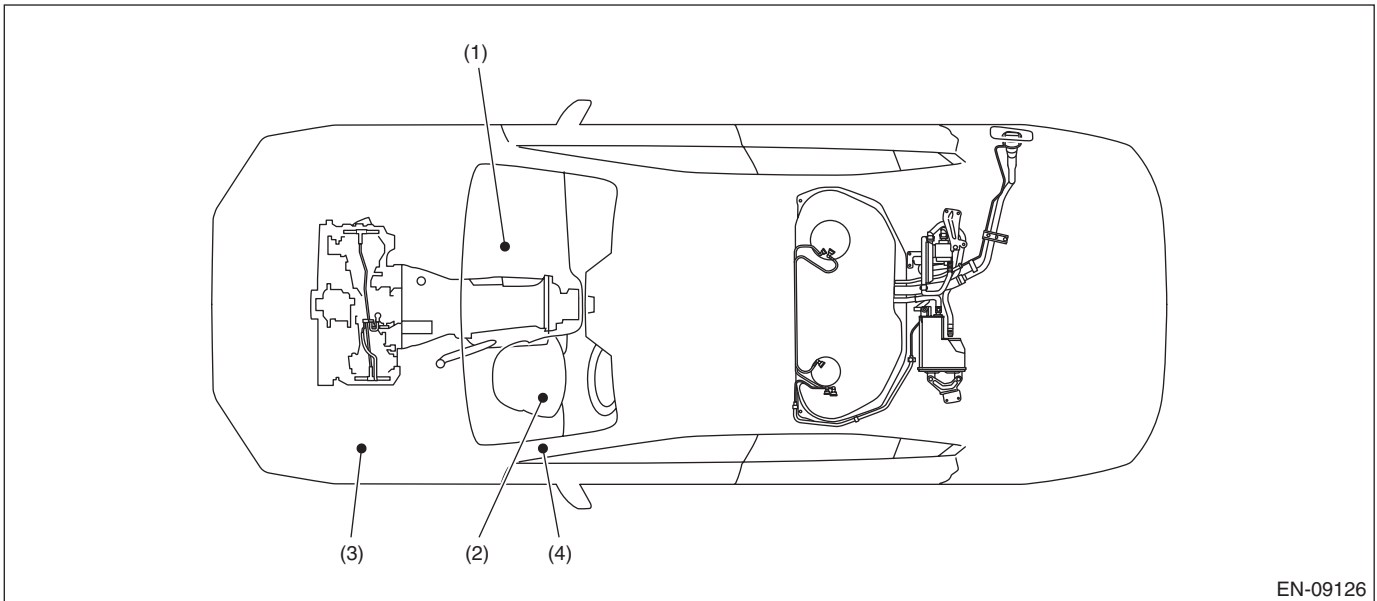


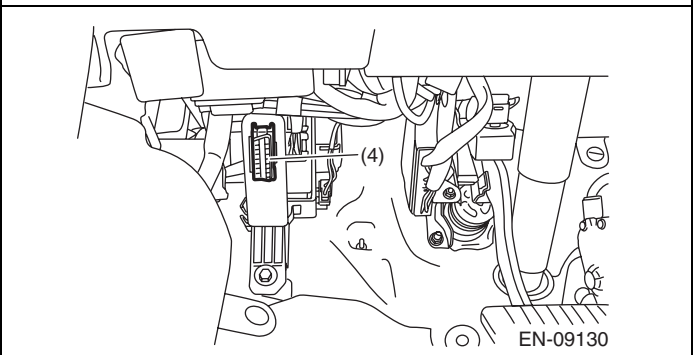
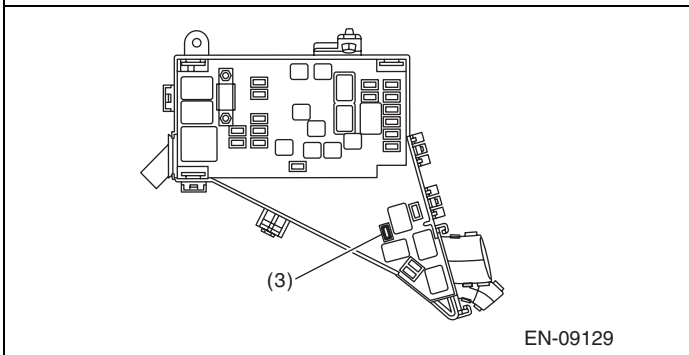
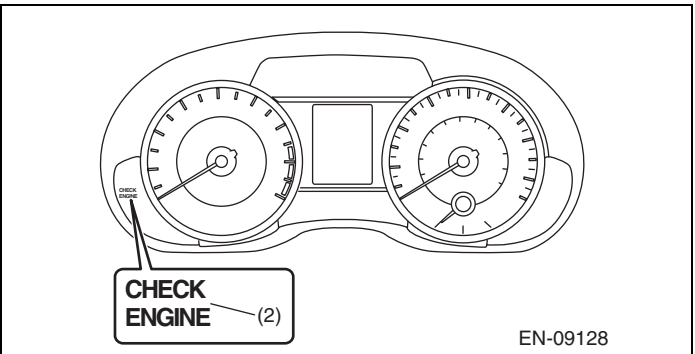
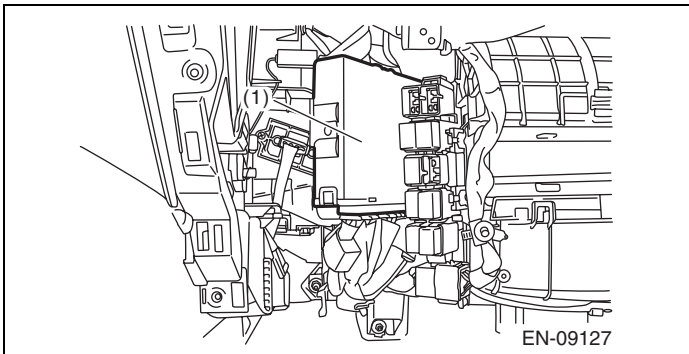
## 4. Electrical Component Location

### A: LOCATION

#### 1. CONTROL MODULE



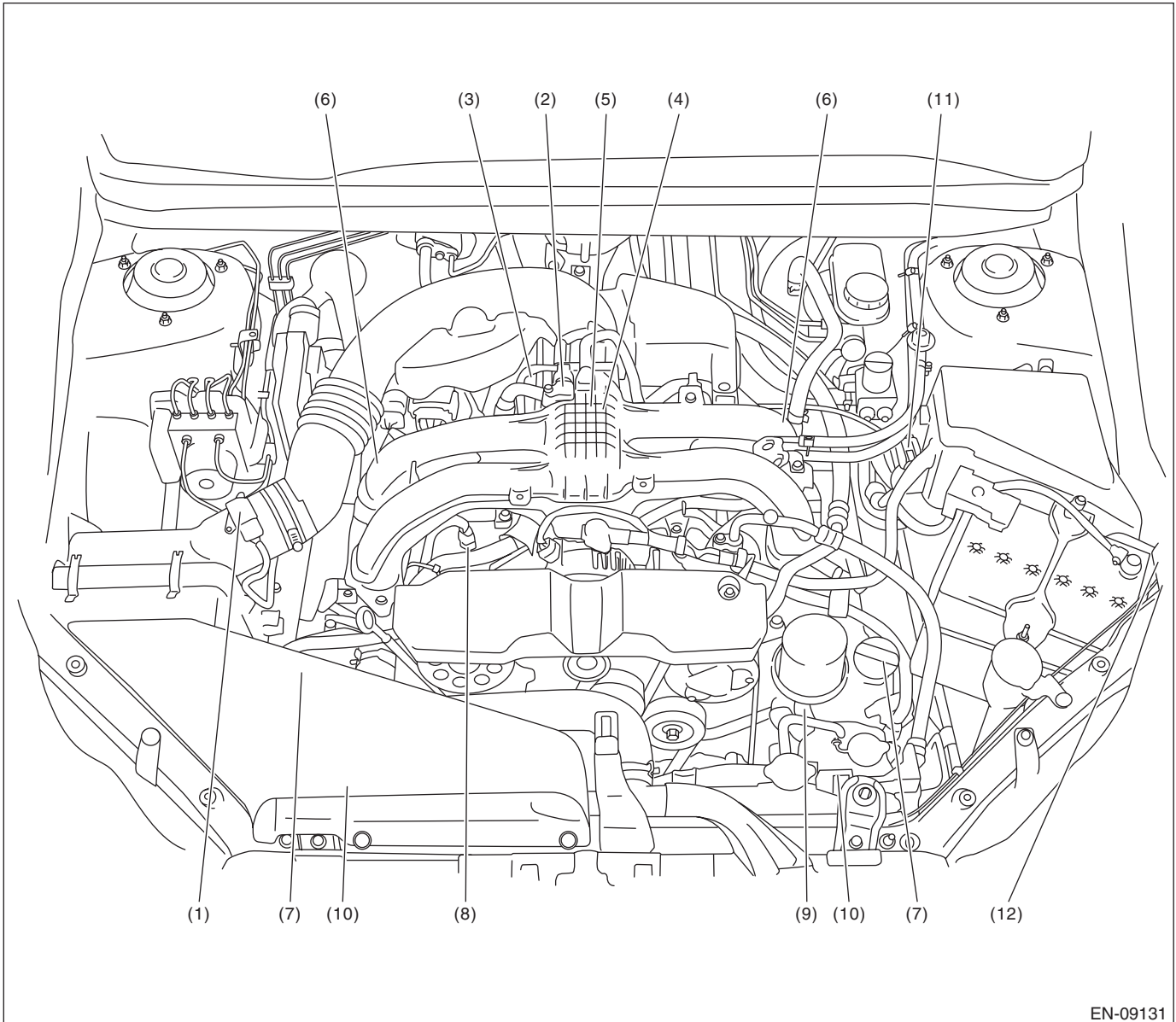
- (1) Engine control module (ECM)
- (2) Malfunction indicator light
- (3) Delivery (test) mode fuse
- (4) Data link connector



# Electrical Component Location

## ENGINE (DIAGNOSTICS)

### 2. SENSOR

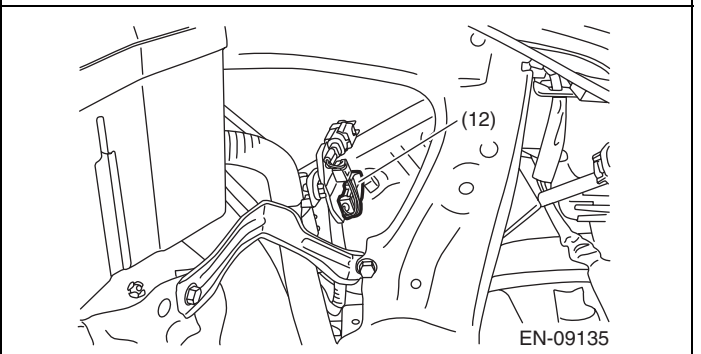
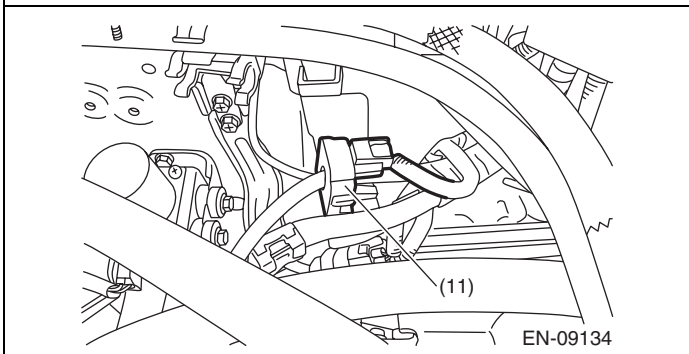
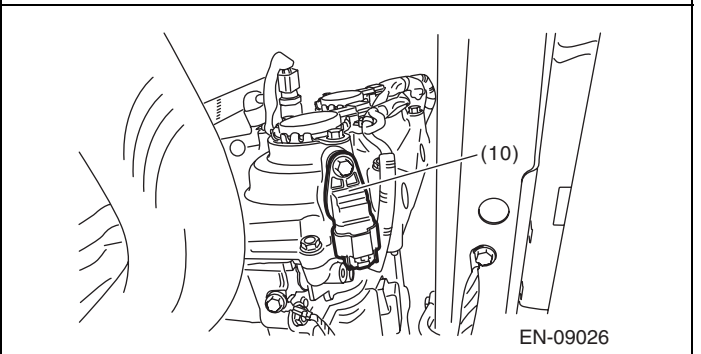
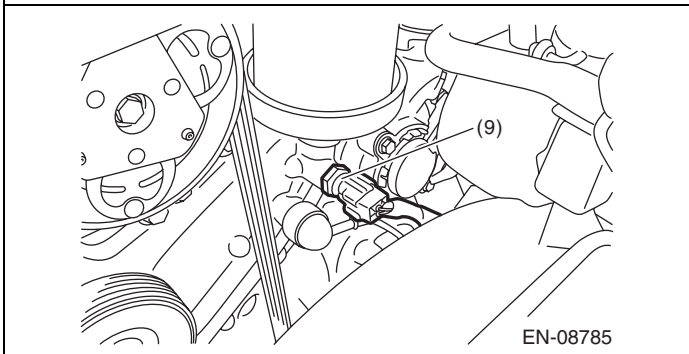
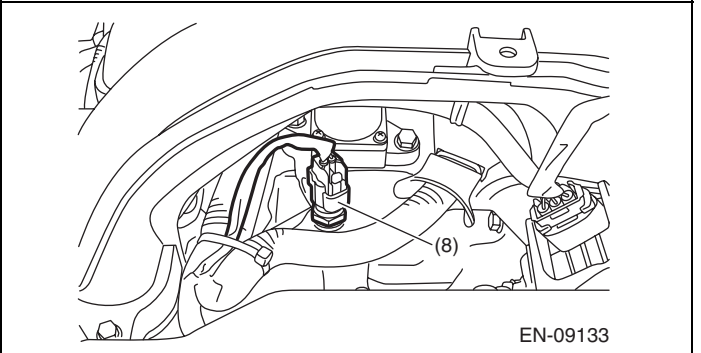
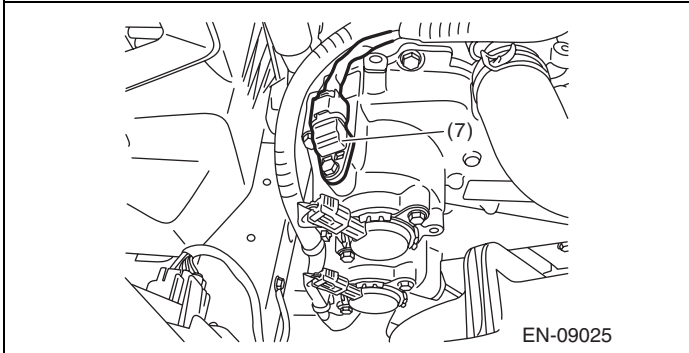
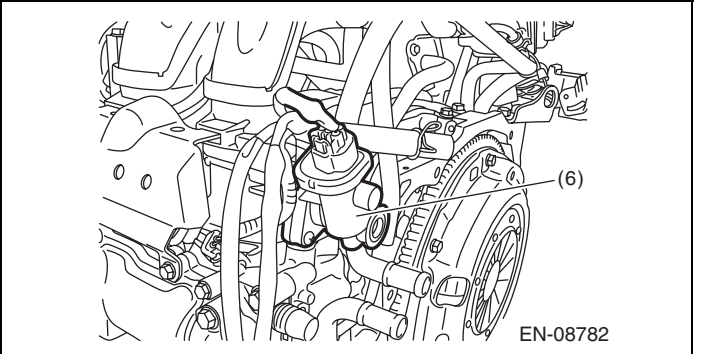
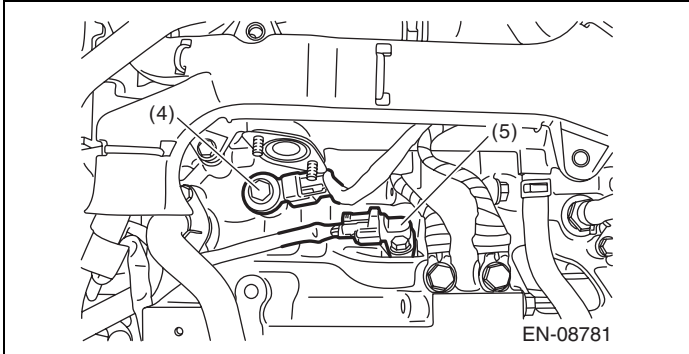
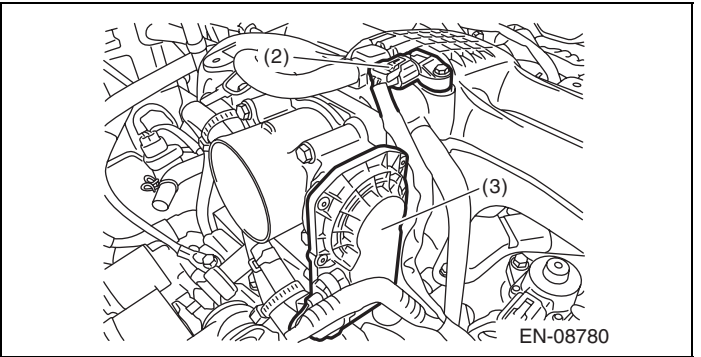
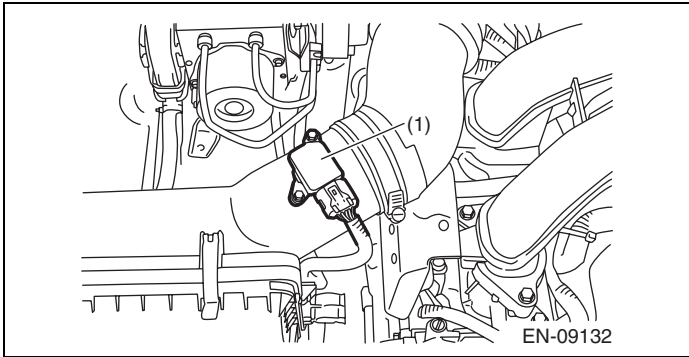


EN-09131

- |   |   |                                       |
|---|---|---------------------------------------|
| (1) Mass air flow and intake air temperature sensor | (5) Crankshaft position sensor  | (9) Engine oil temperature sensor     |
| (2) Manifold absolute pressure sensor               | (6) Tumble generator valve actuators (with built-in opening angle switch) | (10) Exhaust camshaft position sensor |
| (3) Electronic throttle control                     | (7) Intake camshaft position sensor                                       | (11) Battery current sensor           |
| (4) Knock sensor                                    | (8) Engine coolant temperature sensor                                     | (12) Battery temperature sensor       |

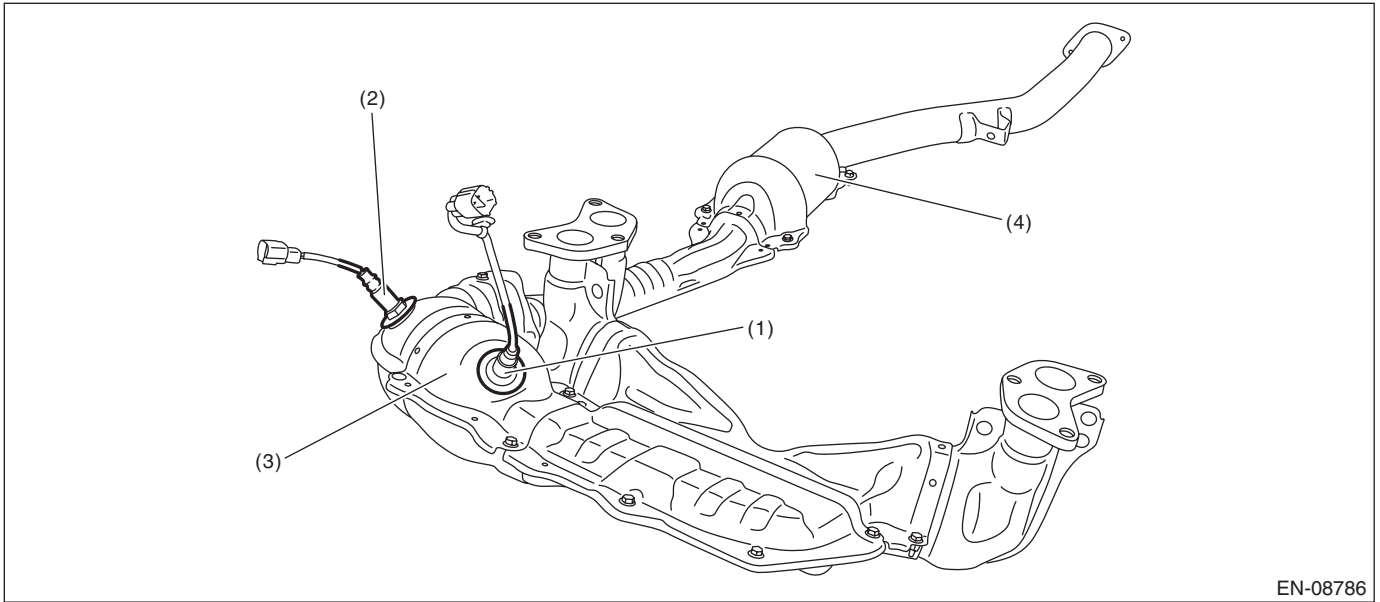
# Electrical Component Location

ENGINE (DIAGNOSTICS)

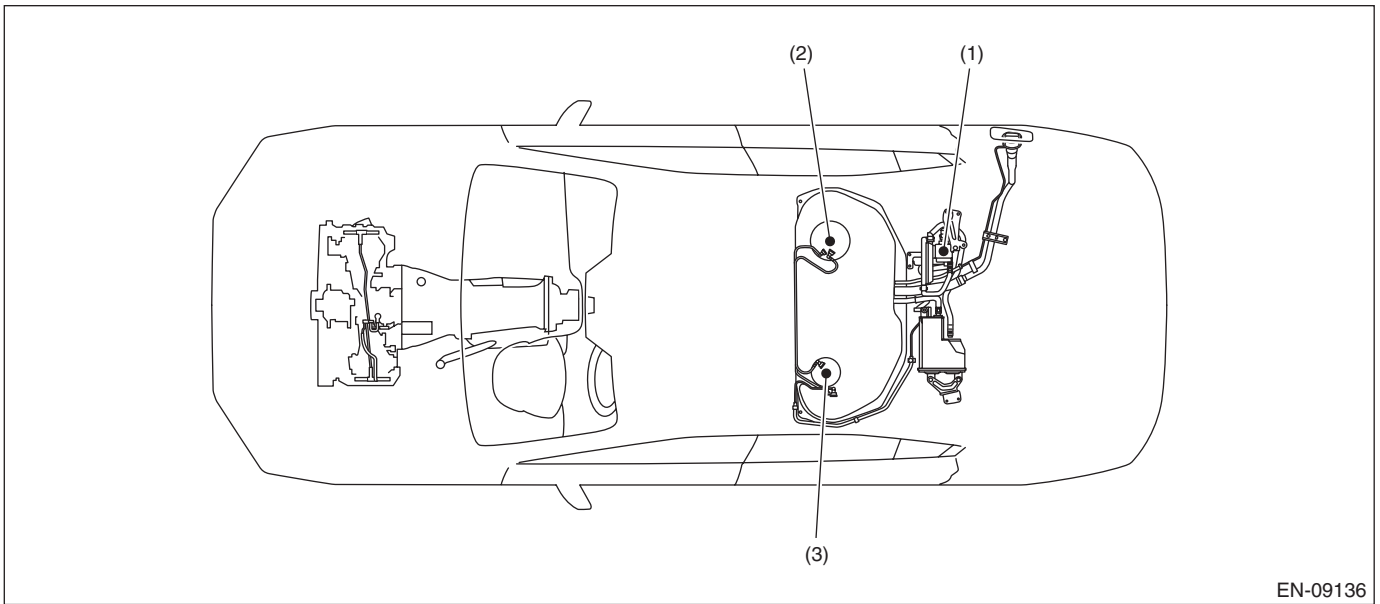


# Electrical Component Location

## ENGINE (DIAGNOSTICS)



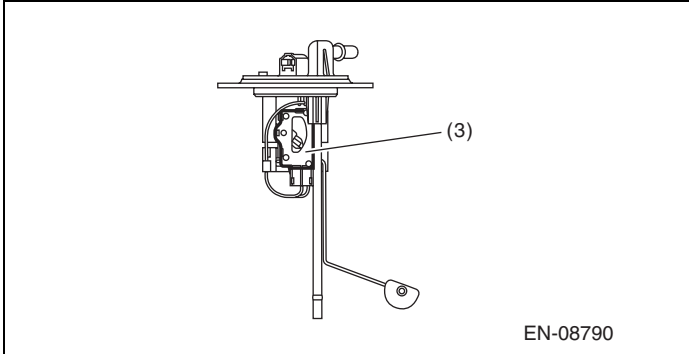
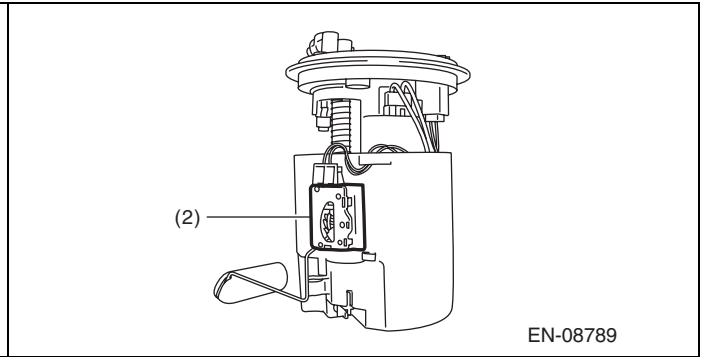
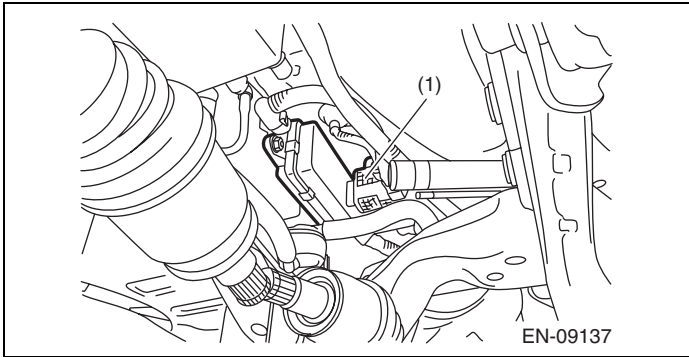
- (1) Front oxygen (A/F) sensor
- (2) Rear oxygen sensor
- (3) Front catalytic converter
- (4) Rear catalytic converter



- (1) Leak check valve ASSY (with built-in pressure sensor)
- (2) Fuel level sensor
- (3) Fuel sub level sensor

# Electrical Component Location

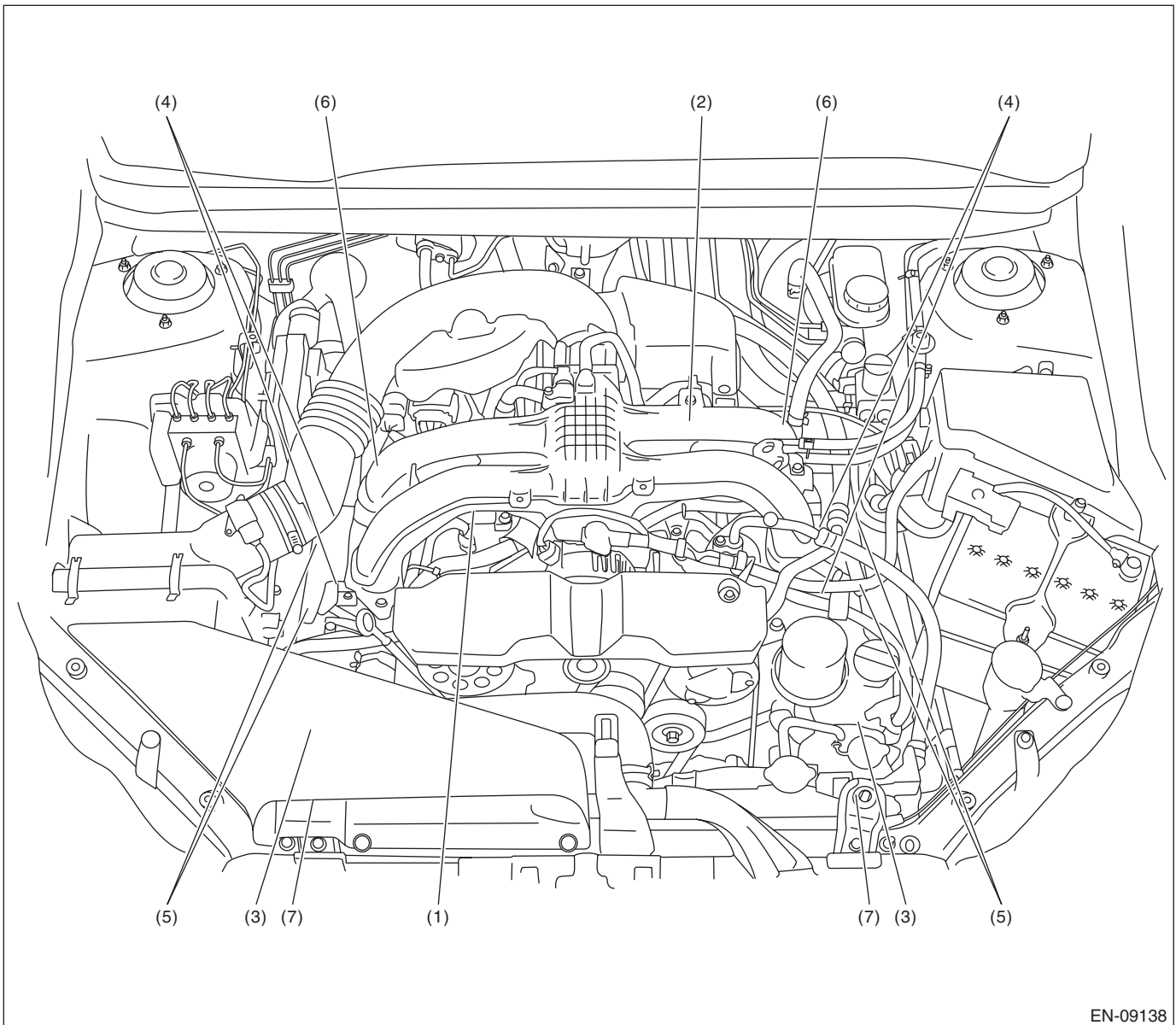
ENGINE (DIAGNOSTICS)



# Electrical Component Location

ENGINE (DIAGNOSTICS)

## 3. SOLENOID VALVE, ACTUATOR, EMISSION CONTROL SYSTEM PARTS AND IGNITION SYSTEM PARTS

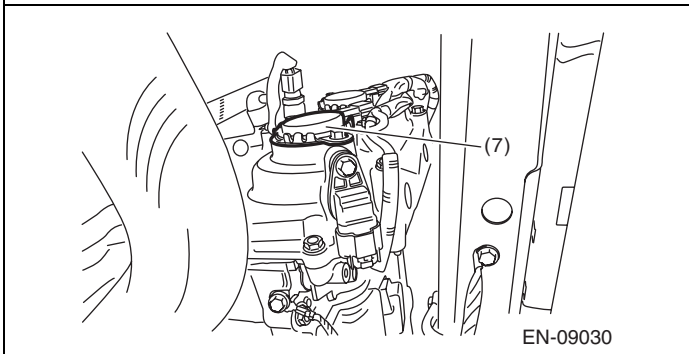
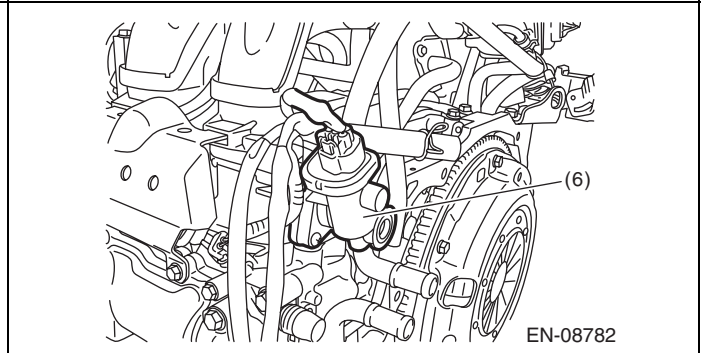
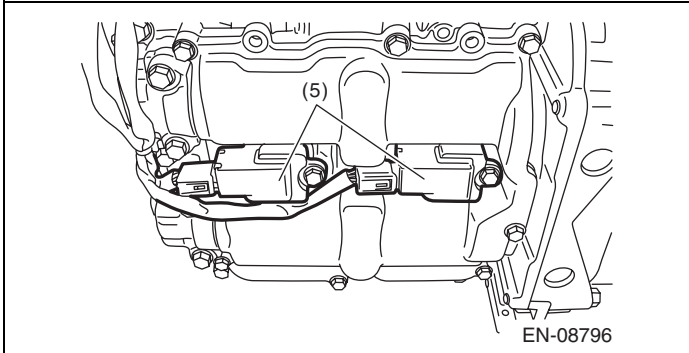
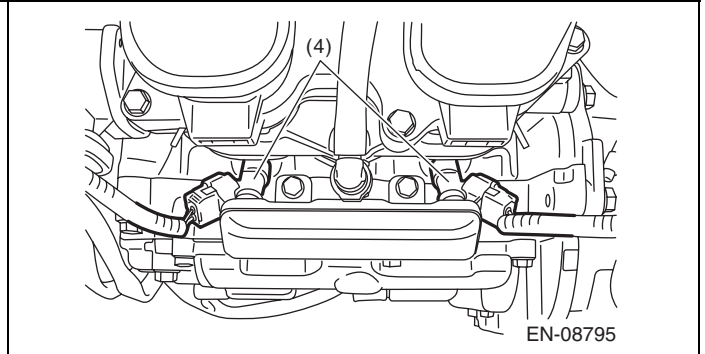
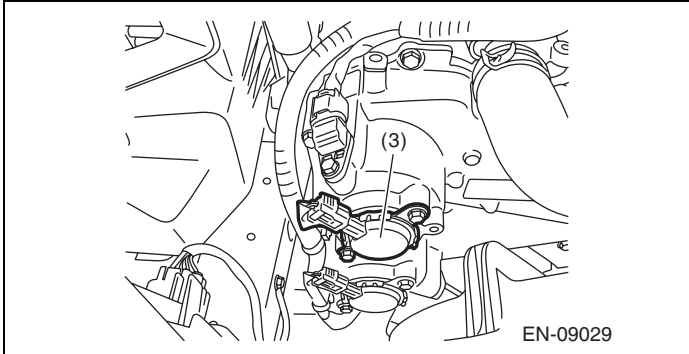
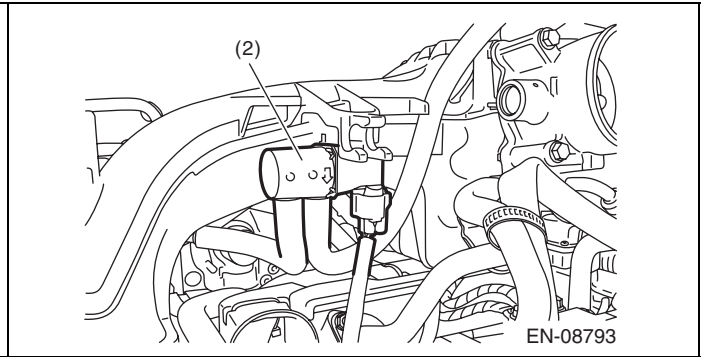
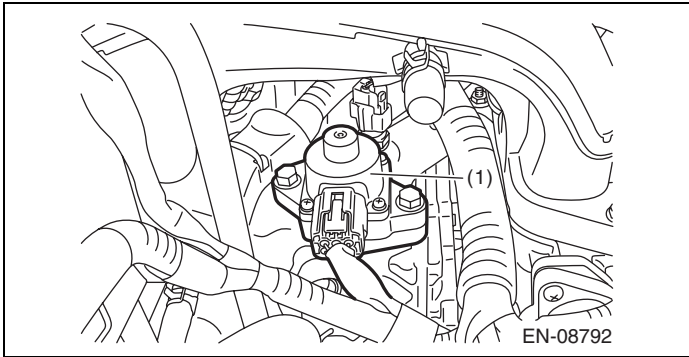


EN-09138

- |                                  |                   |                                     |
|----------------------------------|-------------------|-------------------------------------|
| (1) EGR control valve            | (4) Fuel injector | (6) Tumble generator valve actuator |
| (2) Purge control solenoid valve | (5) Ignition coil | (7) Exhaust oil control solenoid    |
| (3) Intake oil control solenoid  |                   |                                     |

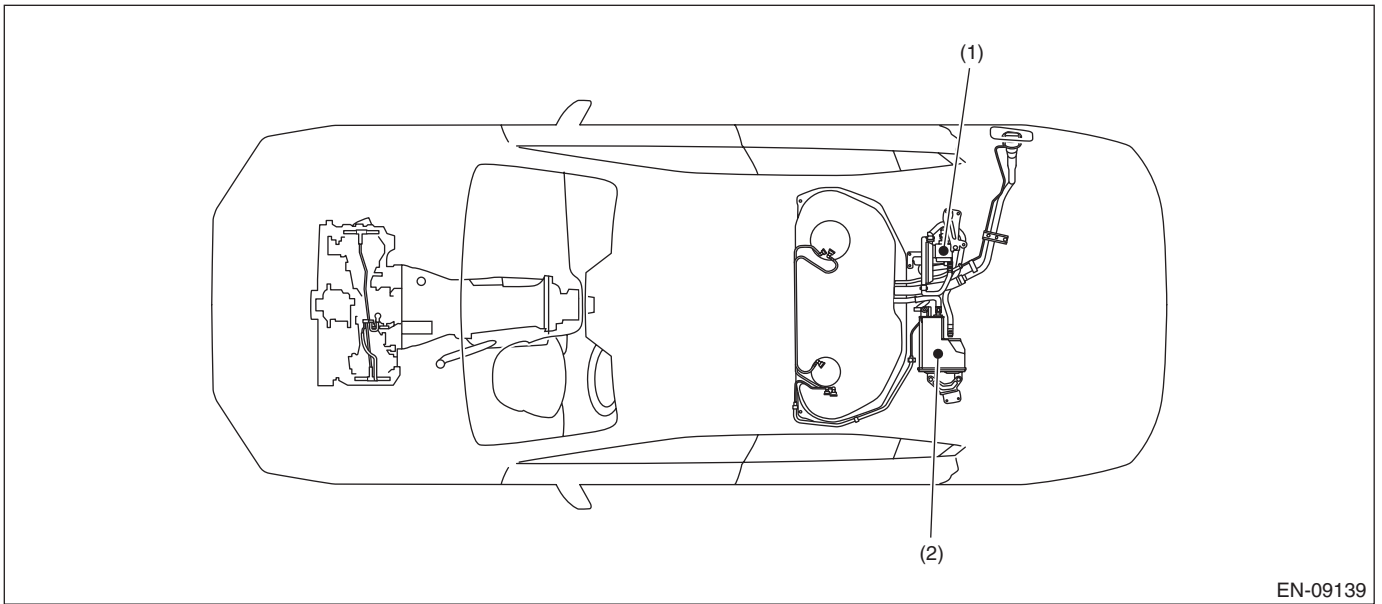
# Electrical Component Location

ENGINE (DIAGNOSTICS)



# Electrical Component Location

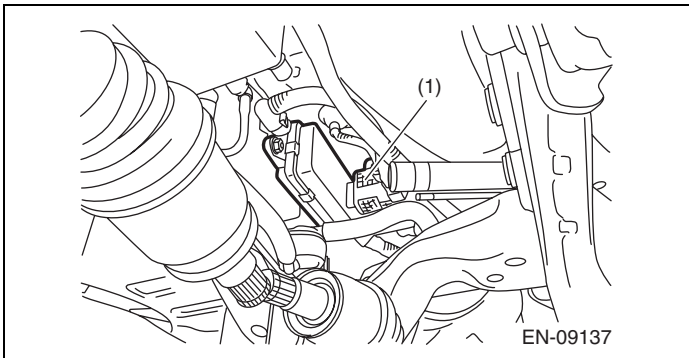
## ENGINE (DIAGNOSTICS)



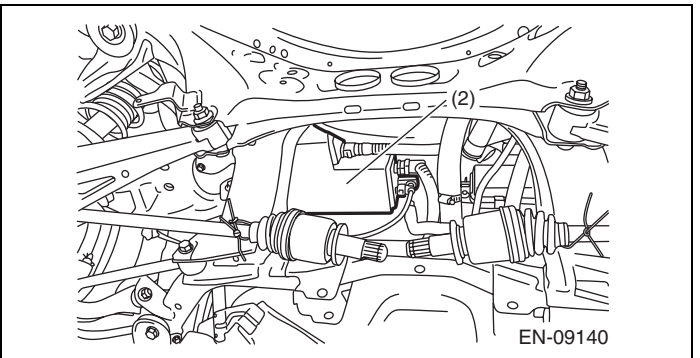
EN-09139

(1) Leak check valve ASSY

(2) Canister



EN-09137

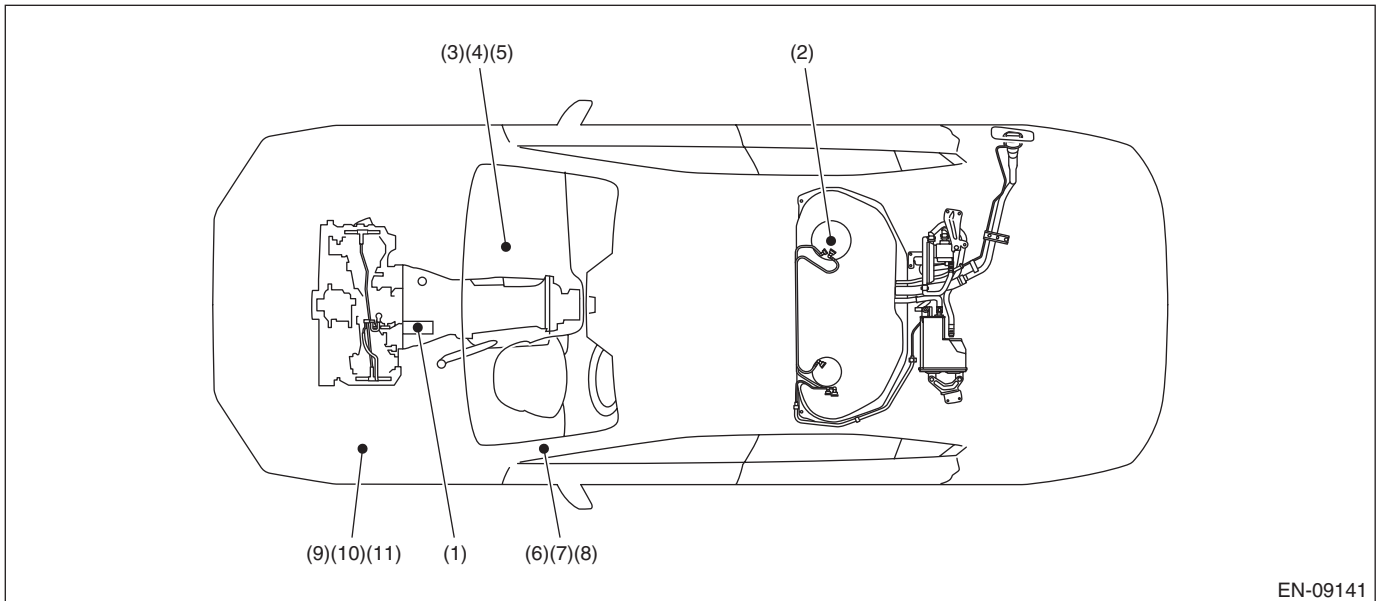


EN-09140



# Electrical Component Location

ENGINE (DIAGNOSTICS)



- |                |                                       |                                |
|----------------|---------------------------------------|--------------------------------|
| (1) Starter    | (5) Fuel pump relay                   | (9) Radiator main fan relay 1  |
| (2) Fuel pump  | (6) A/F, oxygen sensor relay          | (10) Radiator main fan relay 2 |
| (3) Main relay | (7) Electronic throttle control relay | (11) Radiator sub fan relay    |
| (4) IG relay   | (8) Starter relay 1                   |                                |

# Electrical Component Location

## ENGINE (DIAGNOSTICS)

