

General Description

CONTROL SYSTEMS

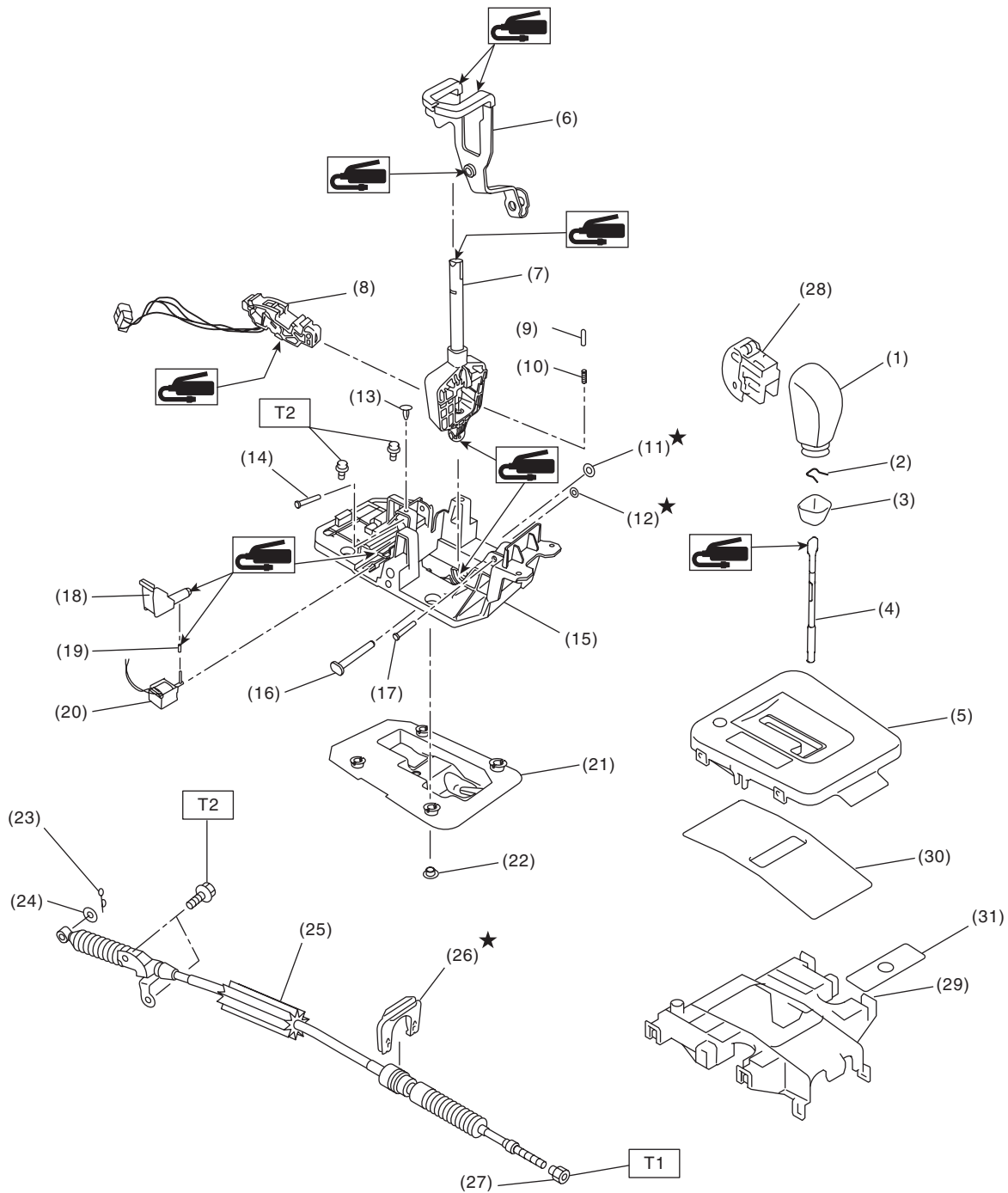
1. General Description

A: SPECIFICATION

Item	Specifications
Swing torque of rod against lever N (kgf, lb)	3.7 (0.38, 0.83) or less

B: COMPONENT

1. AT SELECT LEVER



CS-01623

General Description

CONTROL SYSTEMS

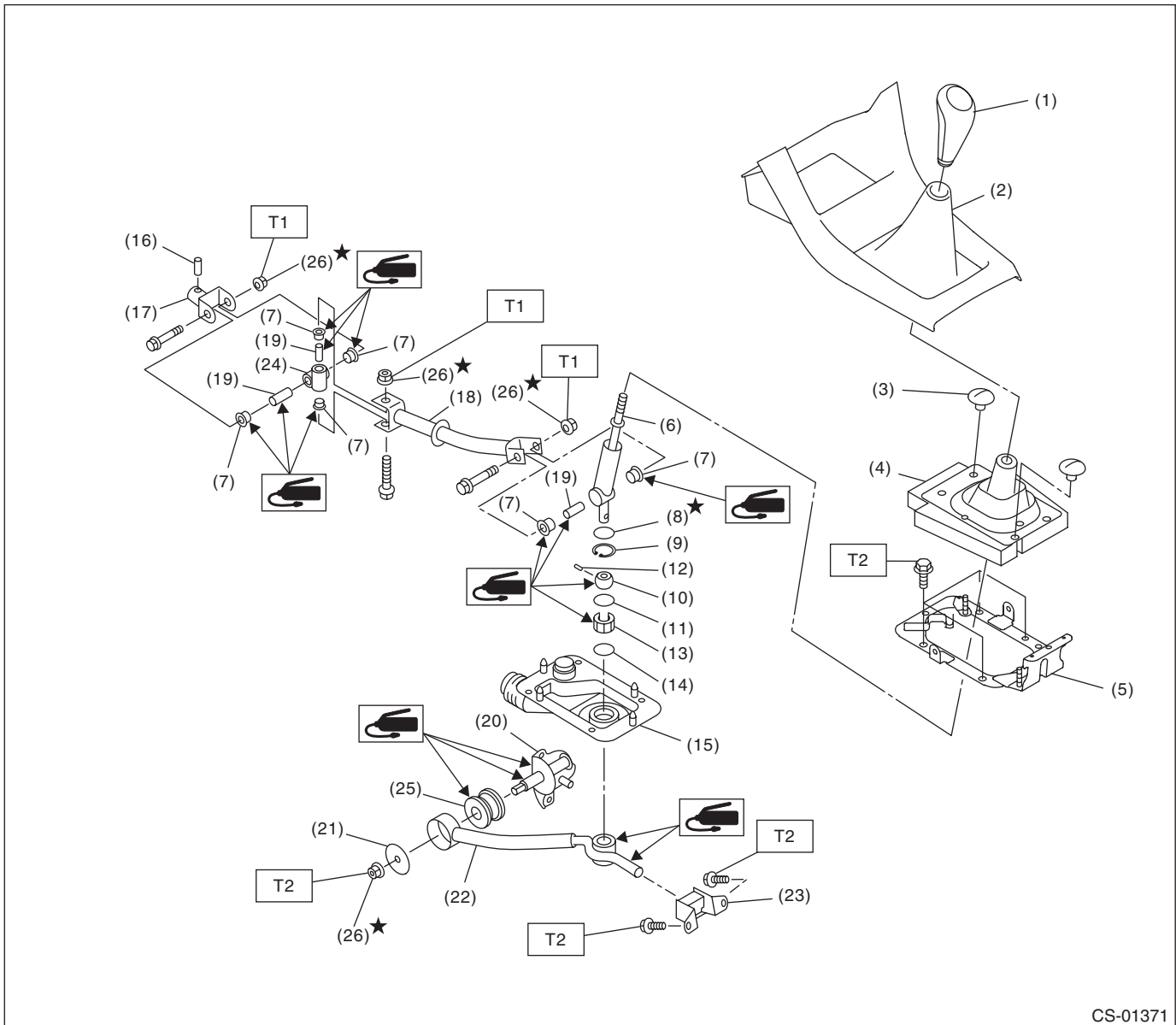
(1) Grip sub ASSY	(13) Clamp pin	(25) Select cable
(2) Clamp grip pin	(14) Spacer pin guide	(26) Clamp
(3) Cover grip AT	(15) Plate COMPL	(27) Nut
(4) Rod COMPL	(16) Shaft control	(28) Button ASSY-AT
(5) Indicator cover	(17) Spacer pin guide	(29) Housing
(6) Arm COMPL	(18) Rod shift lock	(30) Blind A
(7) Selector lever COMPL	(19) Cushion solenoid	(31) Blind B
(8) Plate guide	(20) Solenoid unit	
(9) Rod detent	(21) Gasket	
(10) Detent spring	(22) Spacer plate	
(11) Clamp push nut	(23) Snap pin	
(12) Clamp push nut	(24) Washer	

Tightening torque: N·m (kgf-m, ft-lb)

T1: 7.5 (0.8, 5.5)

T2: 18 (1.8, 13.3)

2. 5MT GEAR SHIFT LEVER



CS-01371

- | | | |
|------------------------------|--------------------|-----------------------|
| (1) Gear shift knob | (11) O-ring | (21) Plate |
| (2) Console front cover ASSY | (12) Spring pin | (22) Stay |
| (3) Clamp | (13) Bushing B | (23) Cushion rubber |
| (4) Boot and insulator ASSY | (14) O-ring | (24) Boss |
| (5) Plate COMPL | (15) Boot | (25) Bushing |
| (6) Lever | (16) Spring pin | (26) Self-locking nut |
| (7) Bushing | (17) Joint | |
| (8) Lock wire | (18) Rod | |
| (9) Snap ring | (19) Spacer | |
| (10) Bushing | (20) Shift bracket | |

Tightening torque: N-m (kgf-m, ft-lb)

T1: 12 (1.2, 8.9)

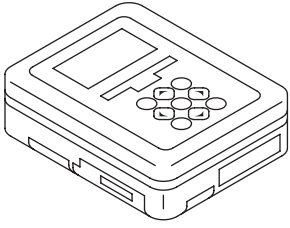
T2: 18 (1.8, 13.3)

General Description

CONTROL SYSTEMS

C: PREPARATION TOOL

1. SPECIAL TOOL

ILLUSTRATION	TOOL NUMBER	DESCRIPTION	REMARKS
 ST1B022XU0	1B022XU0	SUBARU SELECT MONITOR III KIT	Used for troubleshooting the electrical system.

2. GENERAL TOOL

TOOL NAME	REMARKS
Circuit tester	Used for measuring resistance and voltage.

D: CAUTION

- Wear appropriate work clothing, including a cap, protective goggles and protective shoes when performing any work.
- Remove contamination including dirt and corrosion before removal, installation or disassembly.
- Keep the disassembled parts in order and protect them from dust and dirt.
- Before removal, installation or disassembly, be sure to clarify the failure. Avoid unnecessary removal, installation, disassembly and replacement.
- Use SUBARU genuine fluid, grease etc. or equivalent. Do not mix fluid, grease, etc. of different grades or manufacturers.
- Be sure to tighten fasteners including bolts and nuts to the specified torque.
- Place shop jacks or rigid racks at the specified points.
- Apply grease onto sliding or revolving surfaces before installation.
- Before installing O-rings or snap rings, apply sufficient amount of fluid to avoid damage and deformation.
- Before securing a part in a vise, place cushioning material such as wood blocks, aluminum plate or cloth between the part and the vise.
- Before disconnecting electrical connectors, be sure to disconnect the negative terminal from battery.