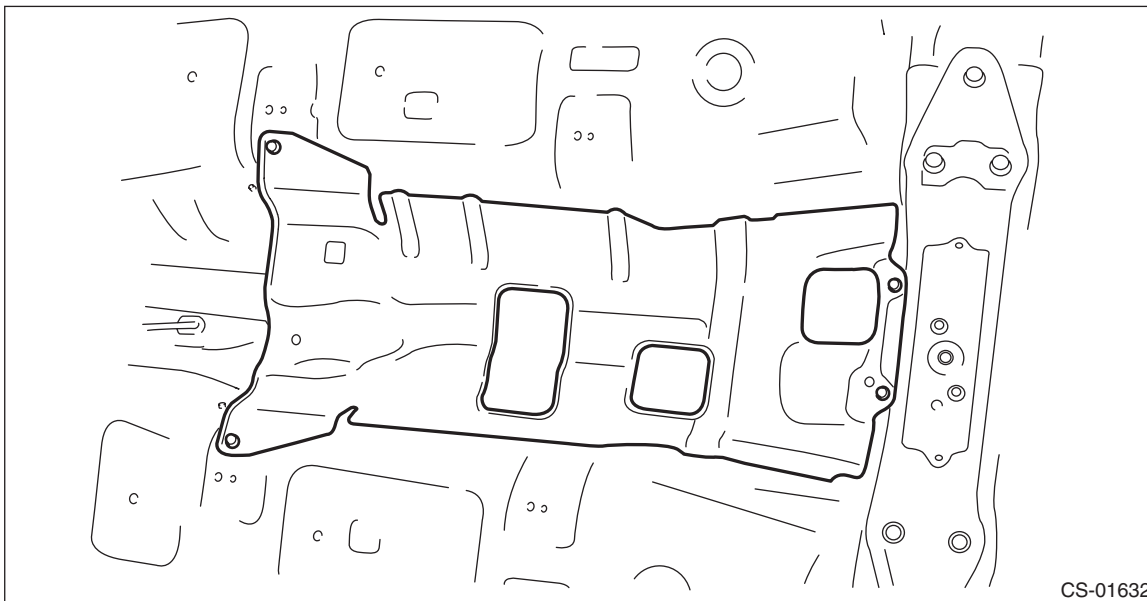


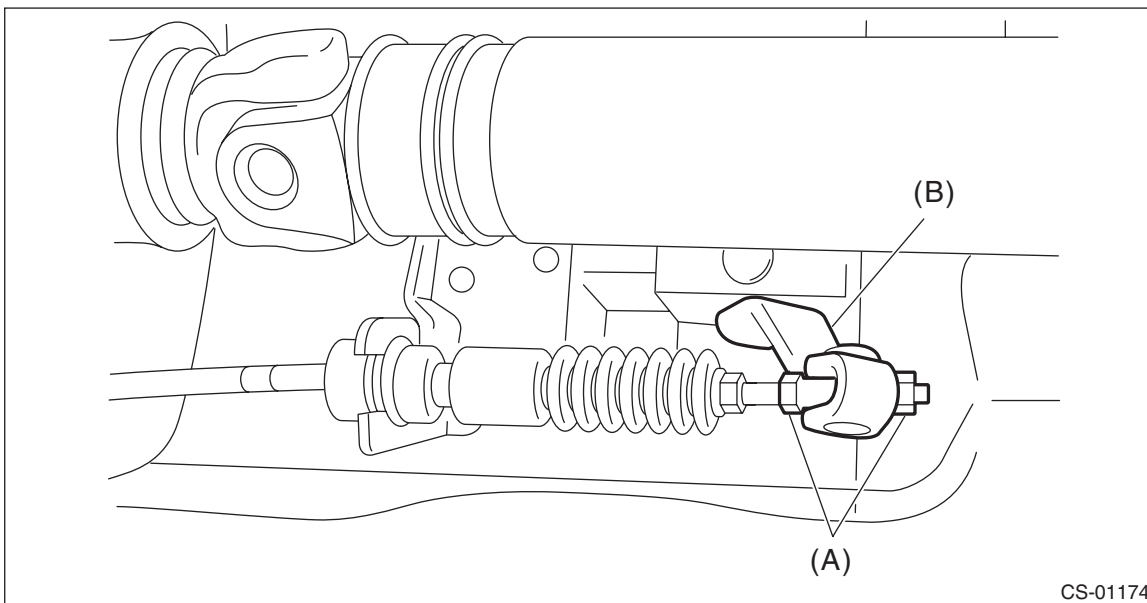
### 3. Select Lever

#### A: REMOVAL

- 1) Shift the select lever to "N" range.
- 2) Disconnect the ground cable from battery.
- 3) Lift up the vehicle.
- 4) Remove the center exhaust pipe. <Ref. to EX(H4DO)-14, REMOVAL, Center Exhaust Pipe.>
- 5) Remove the center exhaust cover.

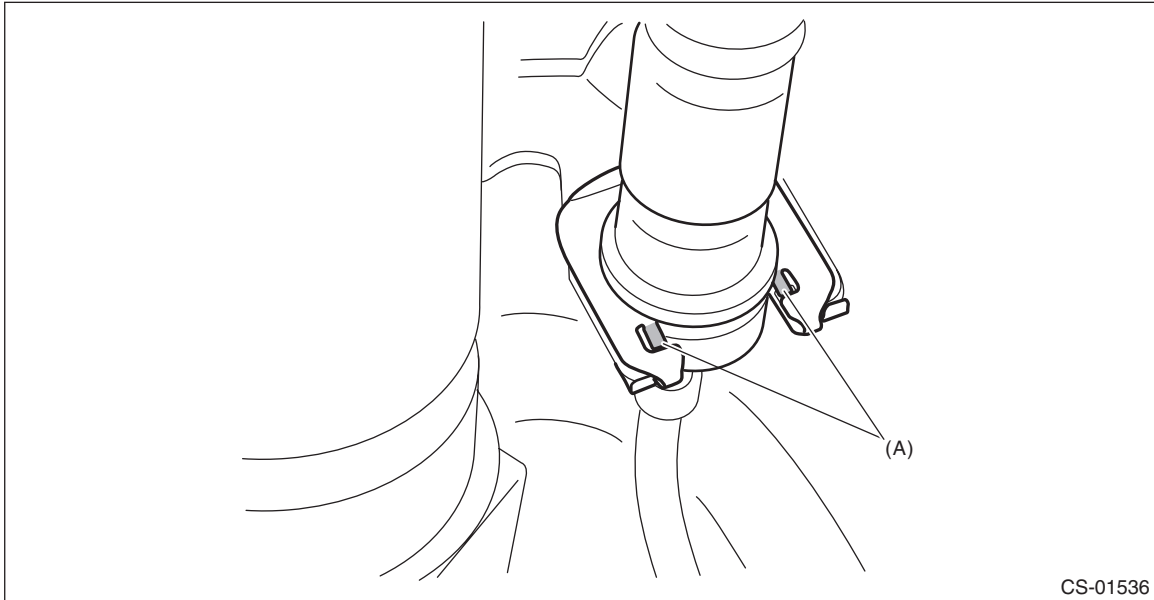


- 6) Disconnect the cable from the arm COMPL.



- (A) Adjusting nut  
(B) Arm COMPL

7) Raise the claw of clamp and remove the cable.

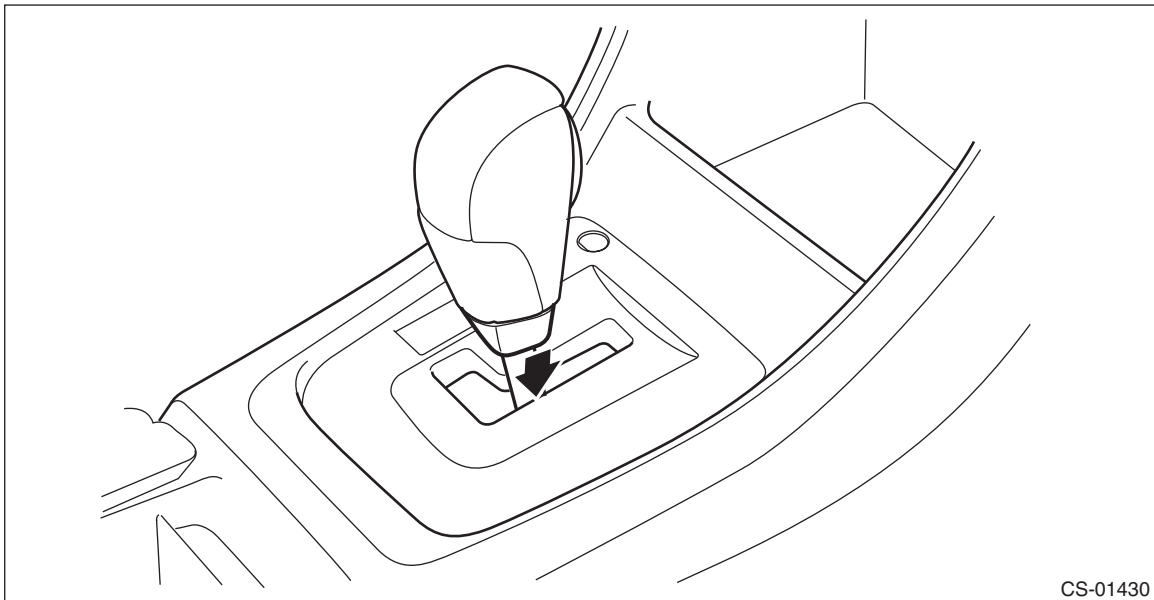


(A) Claw

8) Lower the vehicle.

9) Shift the select lever to "N" range.

10) Lower the cover grip AT vertically toward the lever.

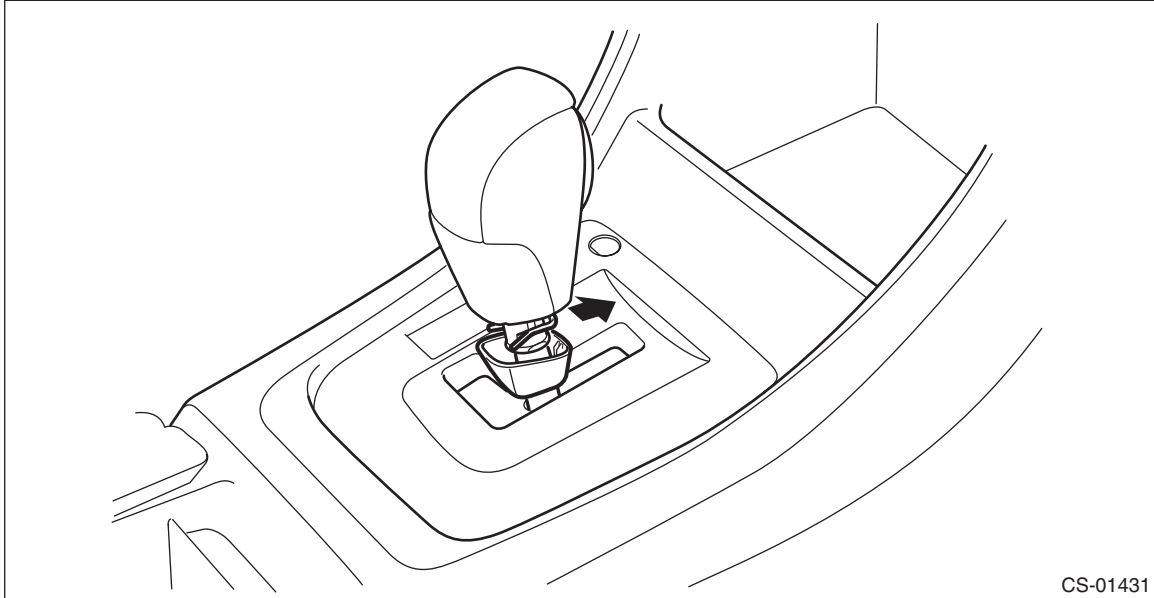


## Select Lever

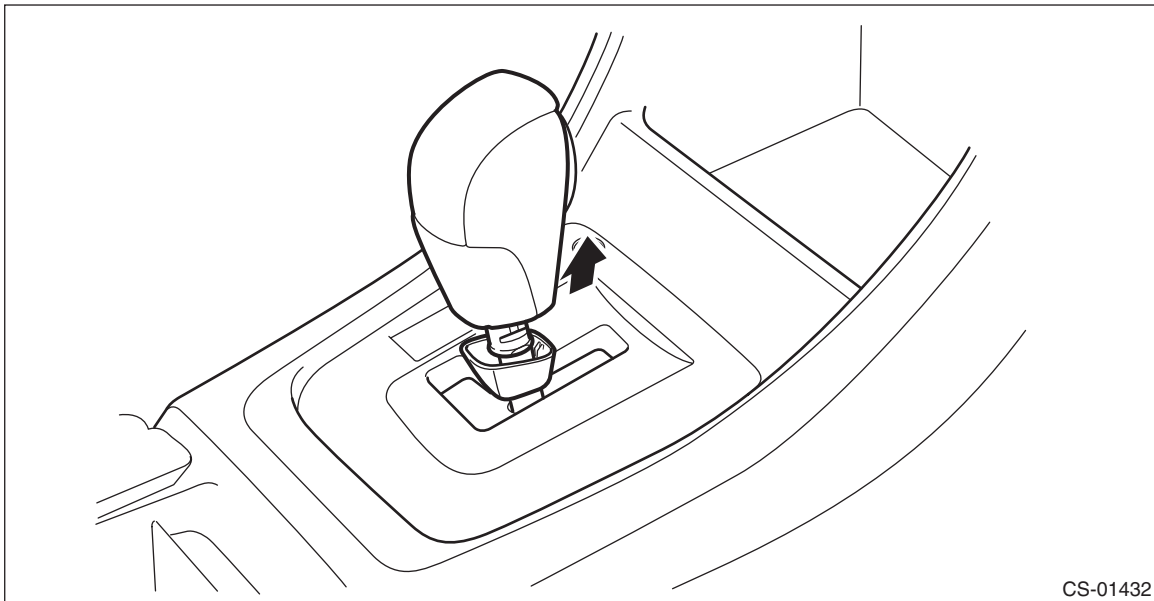
### CONTROL SYSTEMS

---

11) Remove the clamp grip pin.

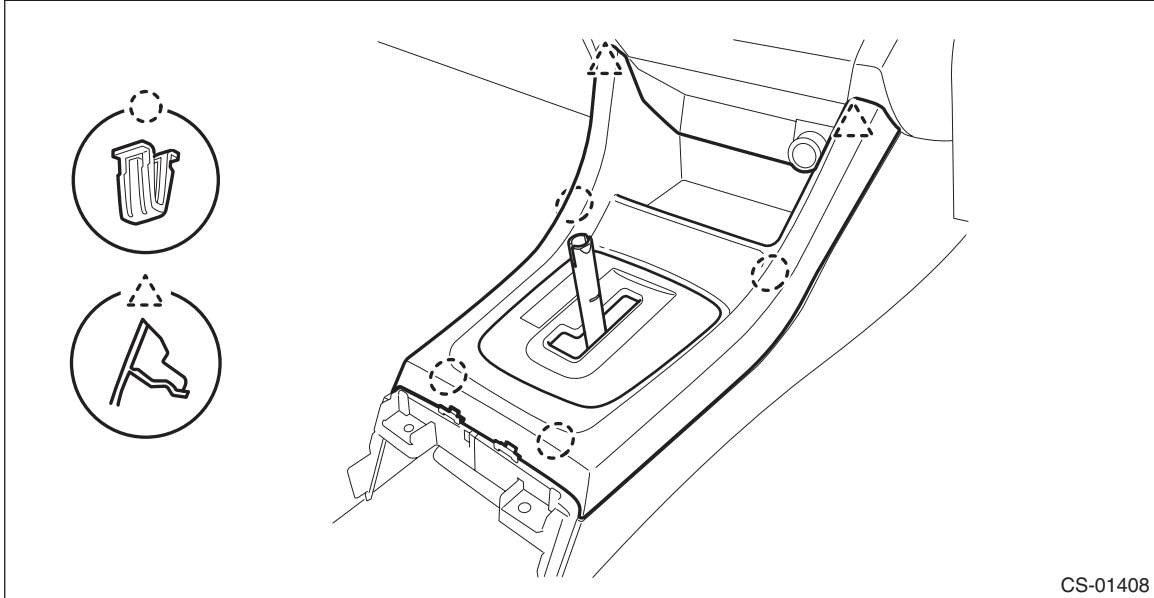


12) Remove the grip assembly.

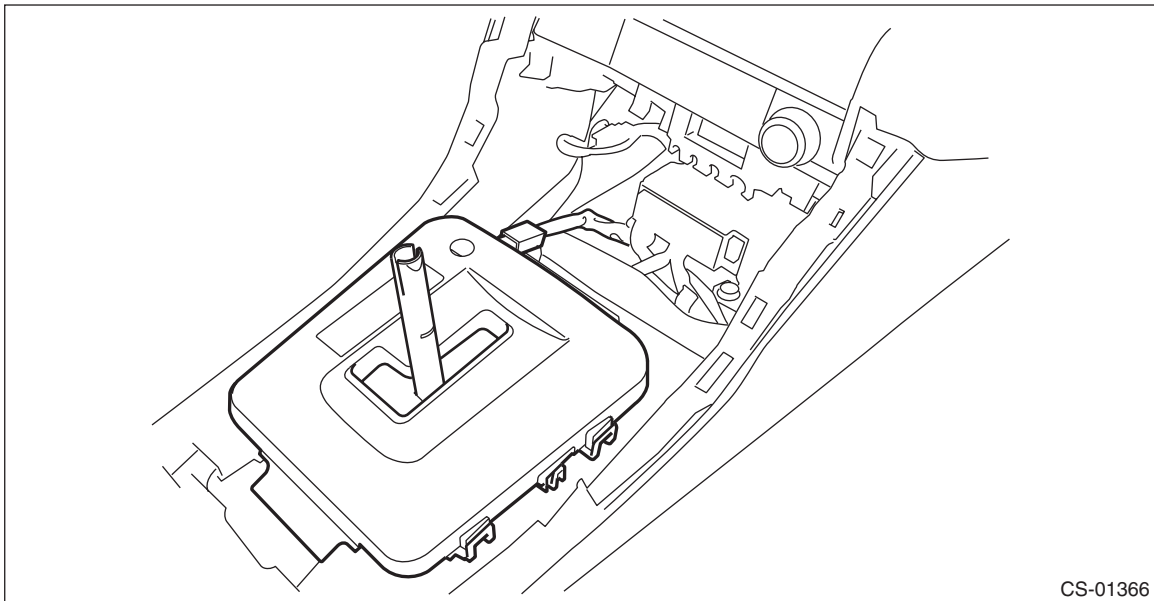


13) Remove the console box. <Ref. to EI-71, REMOVAL, Console Box.>

14) Remove the cover - shift lever.



15) Disconnect the connector, and remove the indicator cover from the housing.

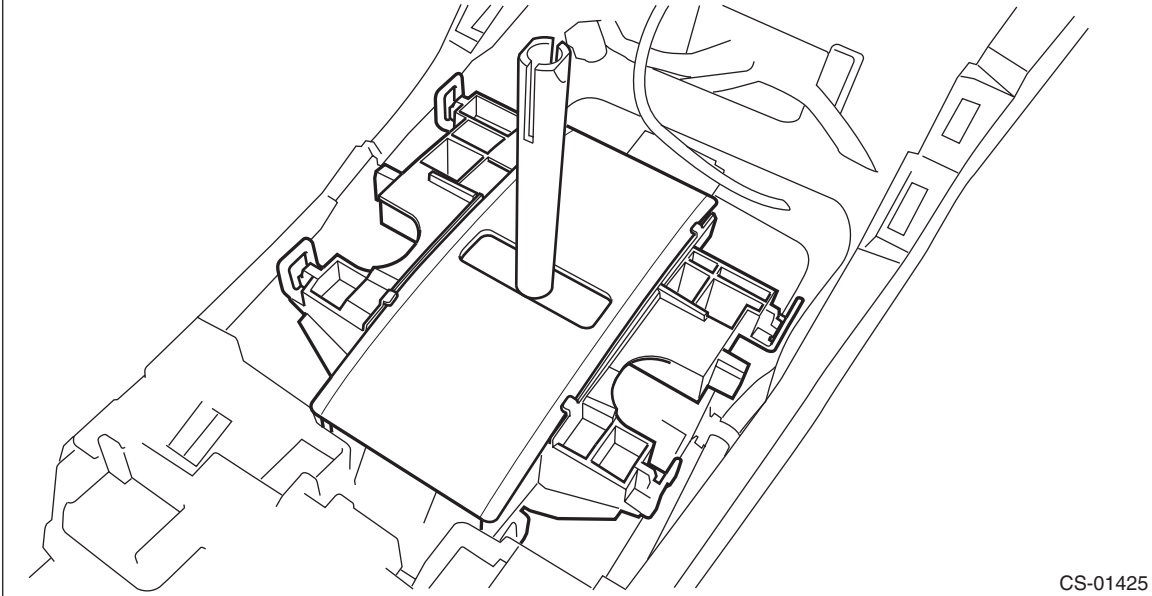


## Select Lever

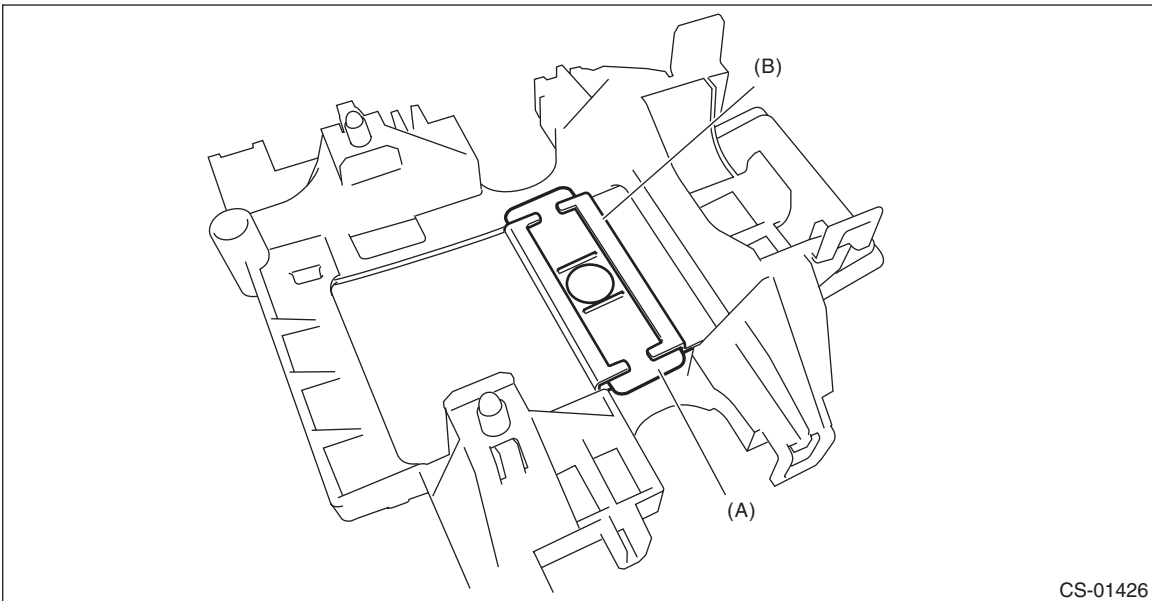
### CONTROL SYSTEMS

---

16) Remove the housing with the blind A and blind B.

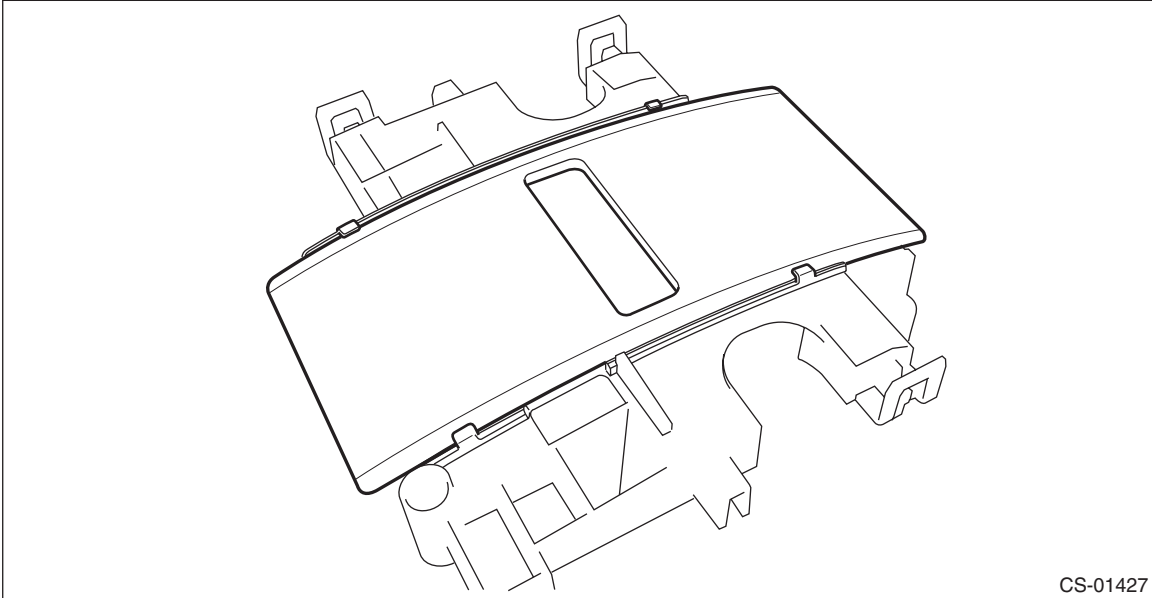


17) Remove the blind B.



- (A) Blind B
- (B) Blind A

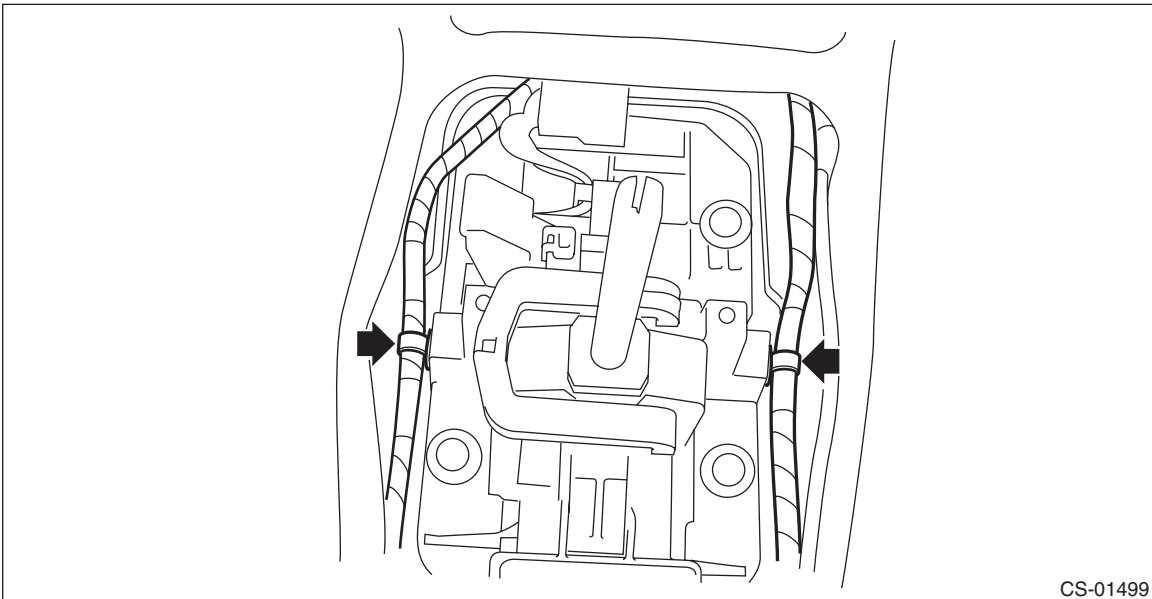
18) Remove the blind A from the housing.



CS-01427

19) Remove the panel center LWR LH and RH. <Ref. to EI-71, REMOVAL, Console Box.>

20) Remove the harness clip from the select lever assembly.



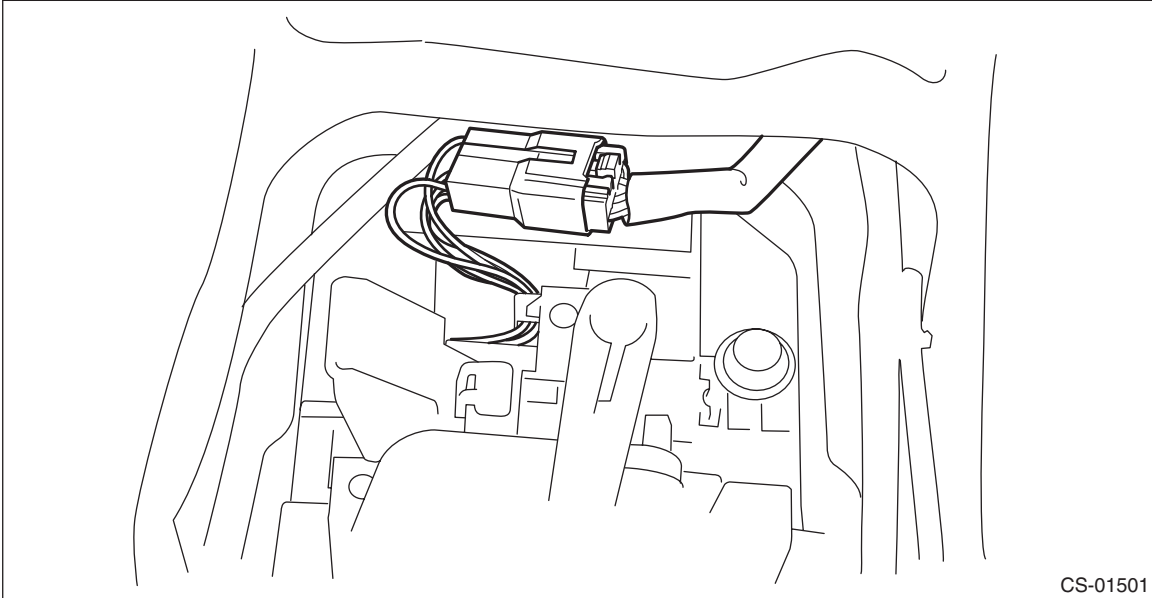
CS-01499

## Select Lever

### CONTROL SYSTEMS

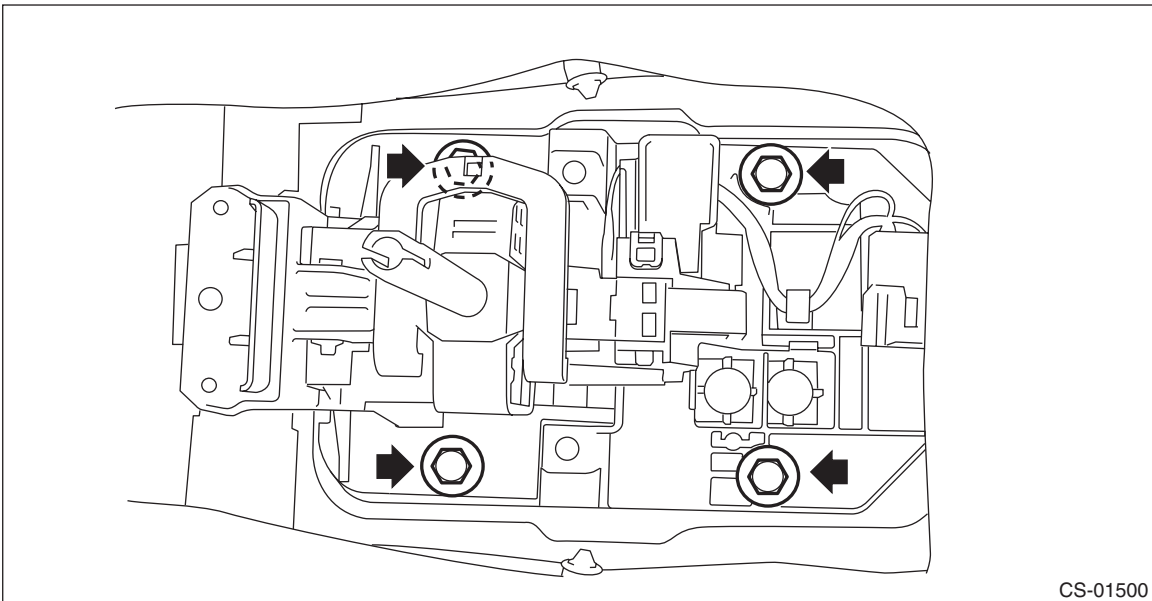
---

21) Disconnect the harness connector.



CS-01501

22) Remove the four bolts to remove the select lever assembly.



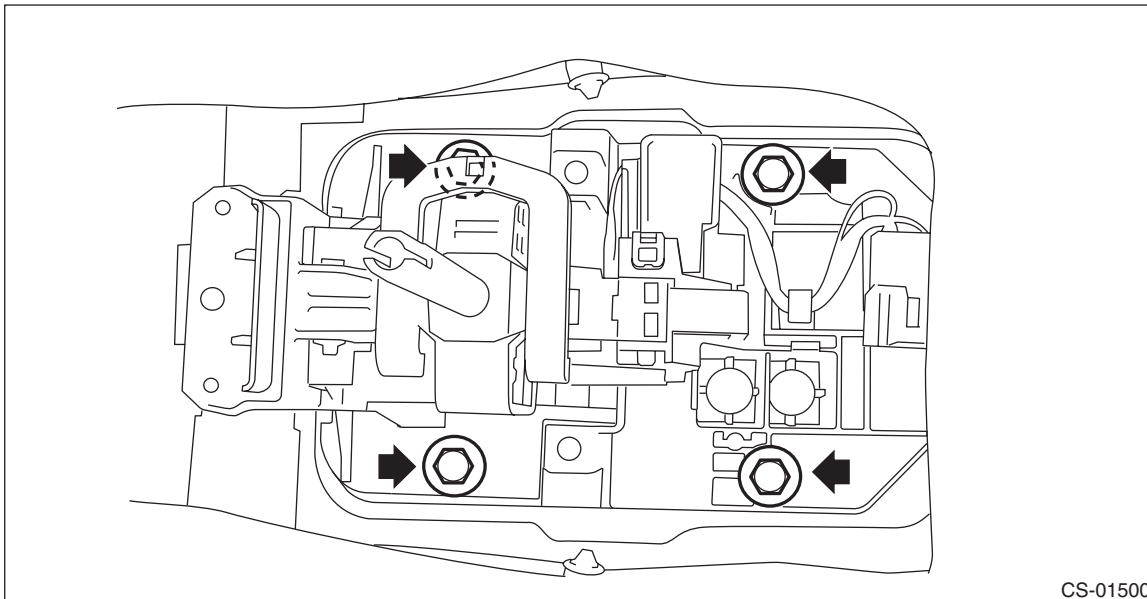
CS-01500

## B: INSTALLATION

- 1) Set the select lever assembly to the vehicle body.
- 2) Tighten the four mounting bolts to attach the select lever assembly to the vehicle body.

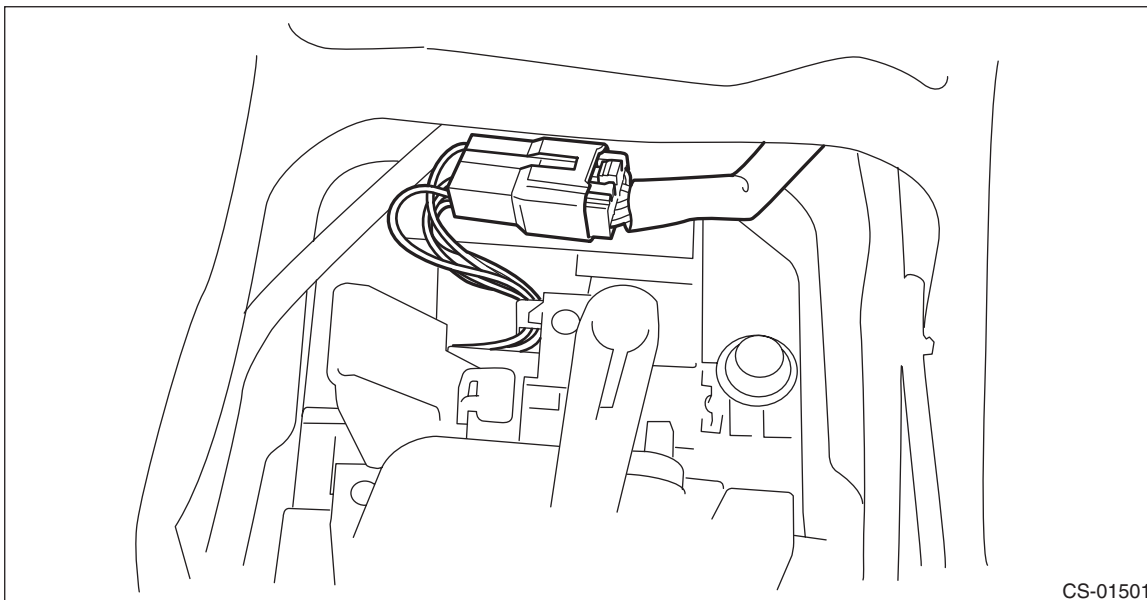
### **Tightening torque:**

**18 N·m (1.8 kgf·m, 13.3 ft·lb)**



CS-01500

- 3) Connect the harness connector.



CS-01501

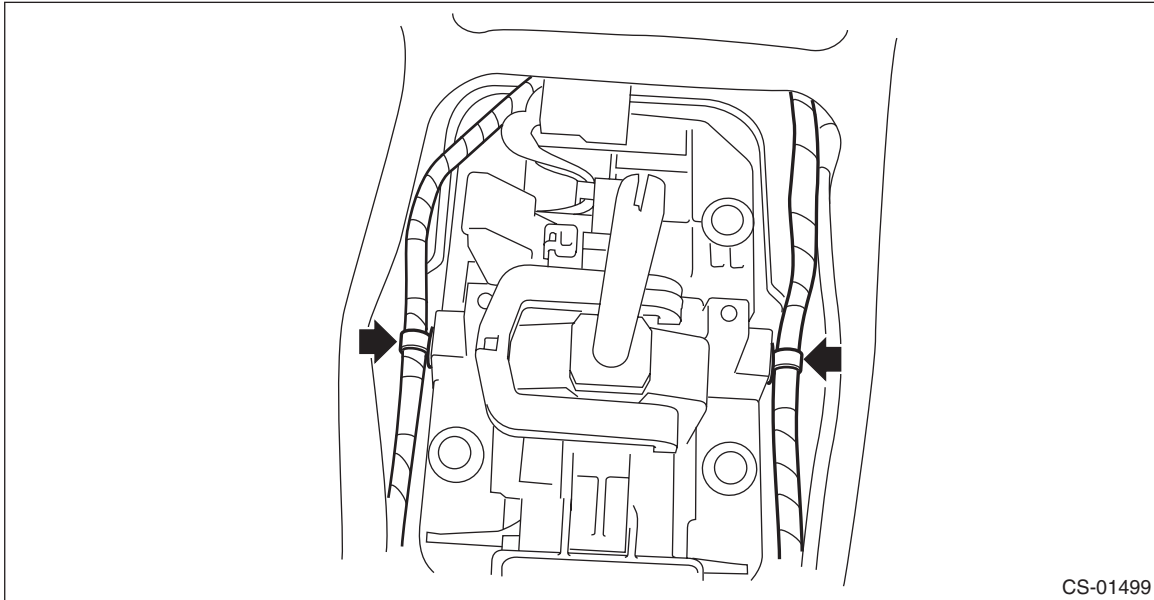


## Select Lever

### CONTROL SYSTEMS

---

4) Install the harness clip to the select lever assembly.



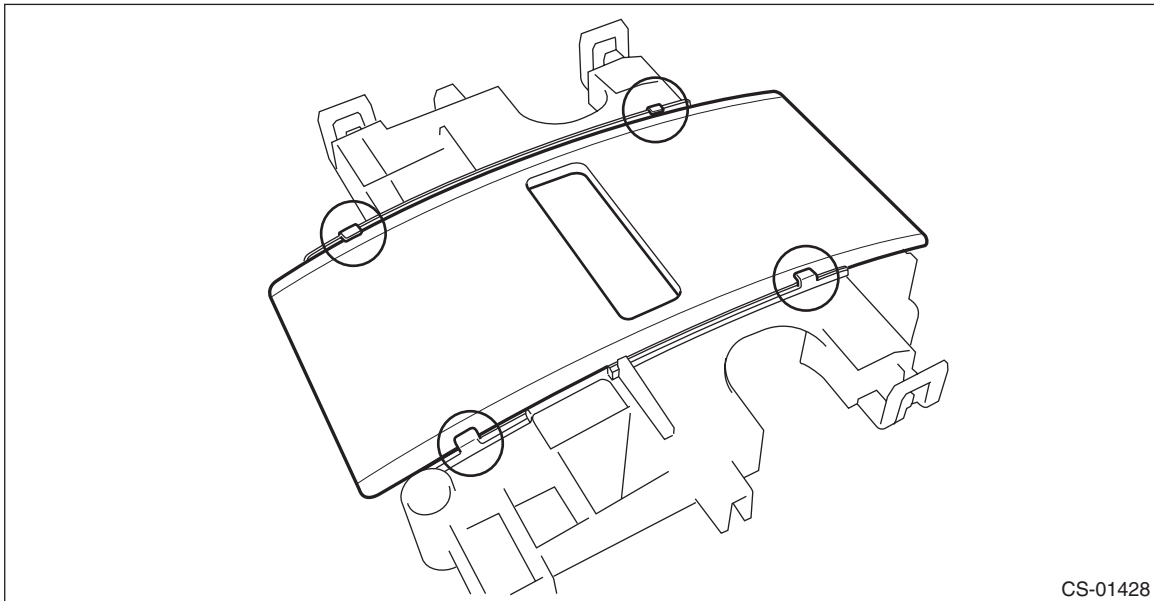
5) Install the panel center LWR LH and RH. <Ref. to EI-73, INSTALLATION, Console Box.>

6) Shift the select lever to "N" range.

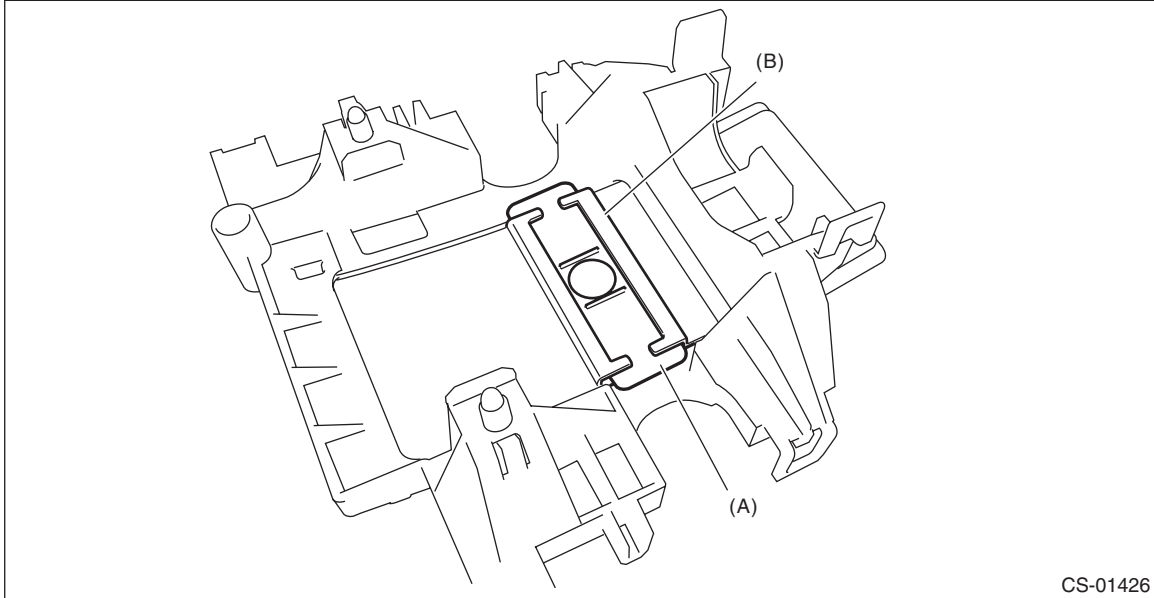
7) Install the blind A to the housing.

#### NOTE:

The blind A should be installed so that it is securely caught inside the tab of the housing.



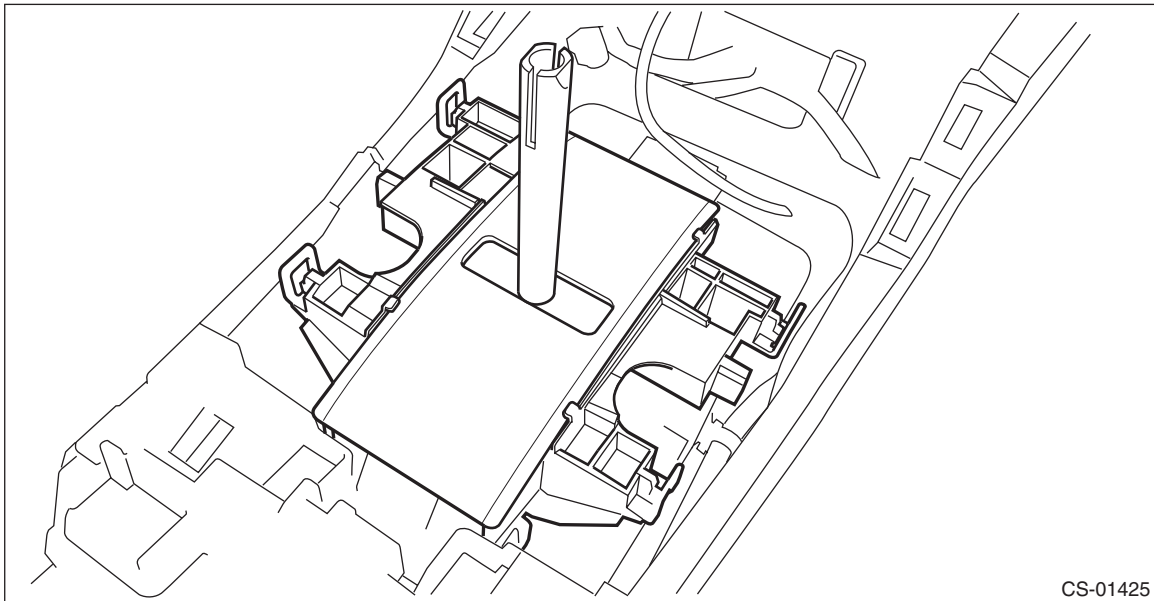
8) Install the blind B behind the blind A.



(A) Blind B

(B) Blind A

9) Install the housing.

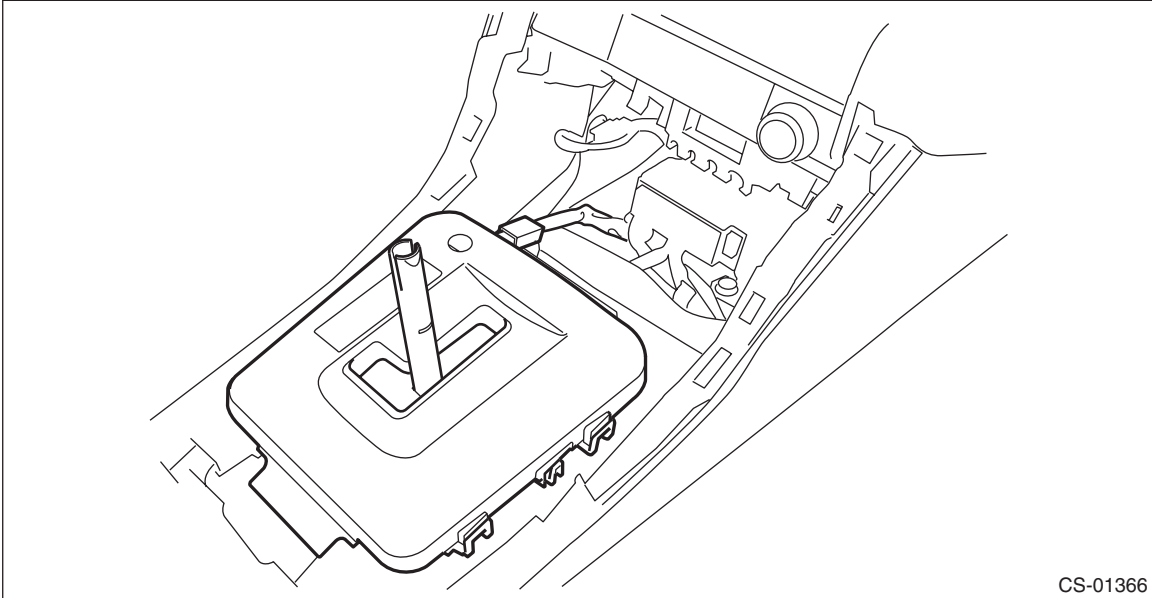


## Select Lever

### CONTROL SYSTEMS

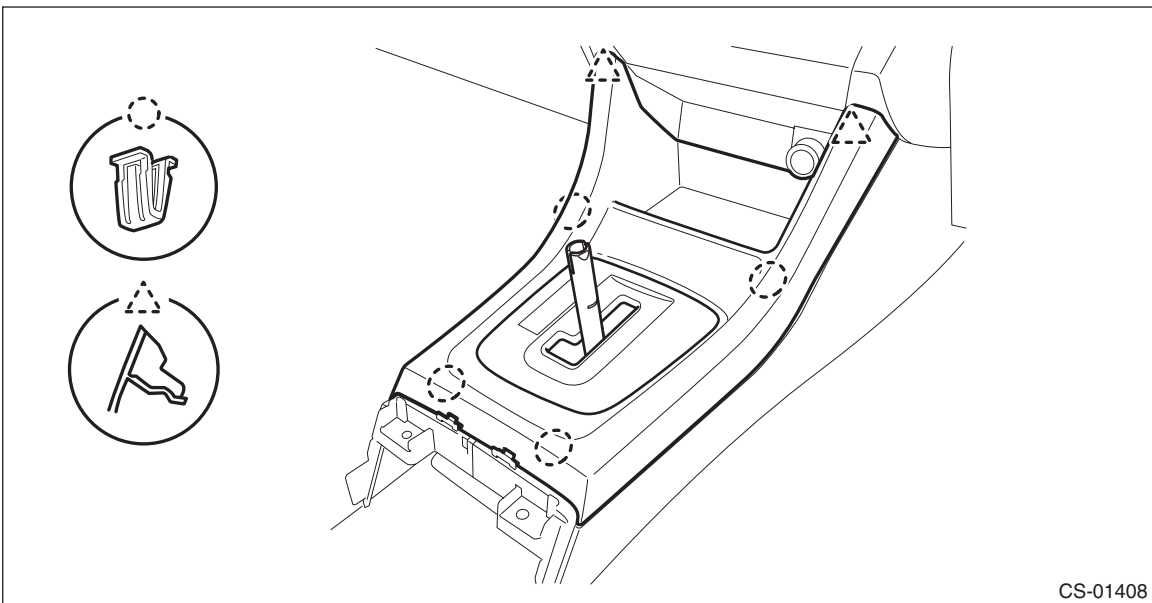
---

10) Install the indicator cover, then connect the connector.



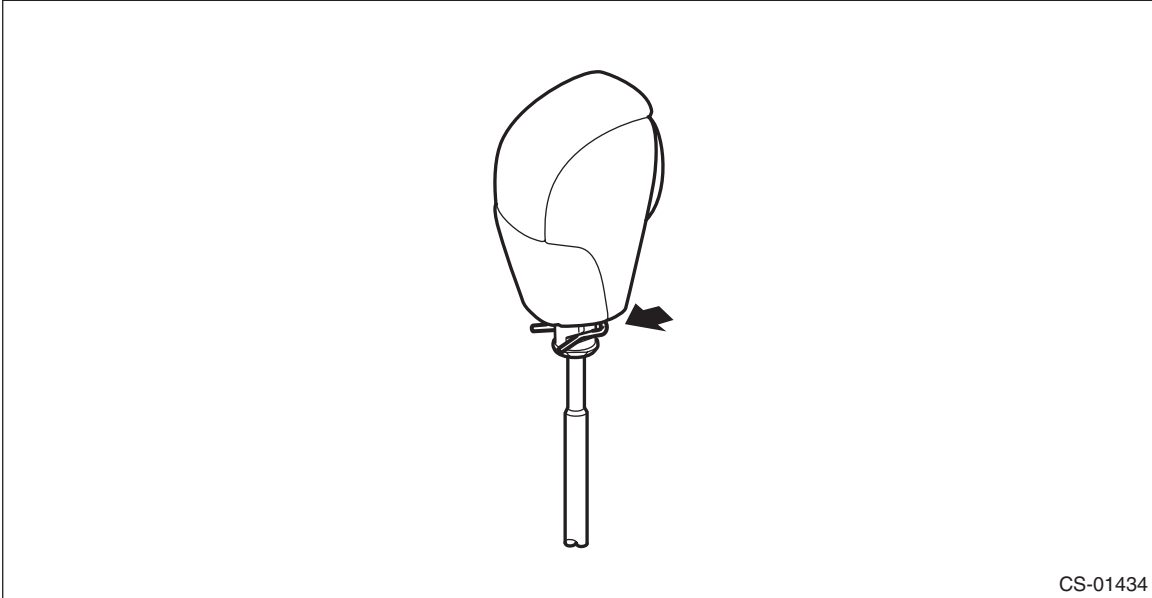
CS-01366

11) Install the cover shift lever.



CS-01408

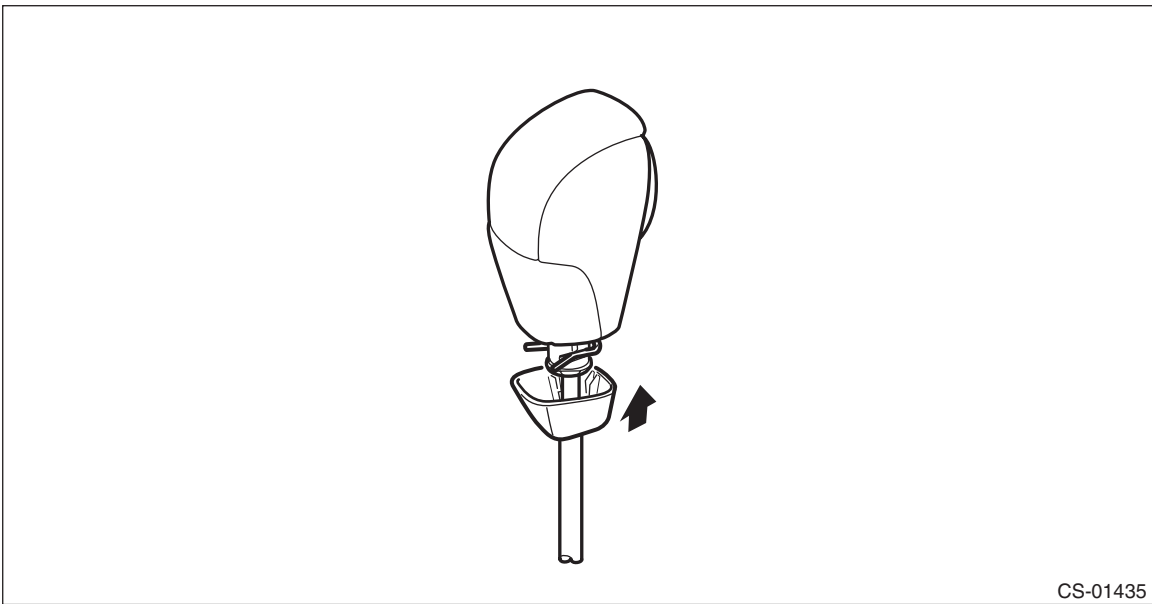
12) Accessing from the button side of the grip, attach the clamp grip pin.



13) Install the cover grip AT securely.

NOTE:

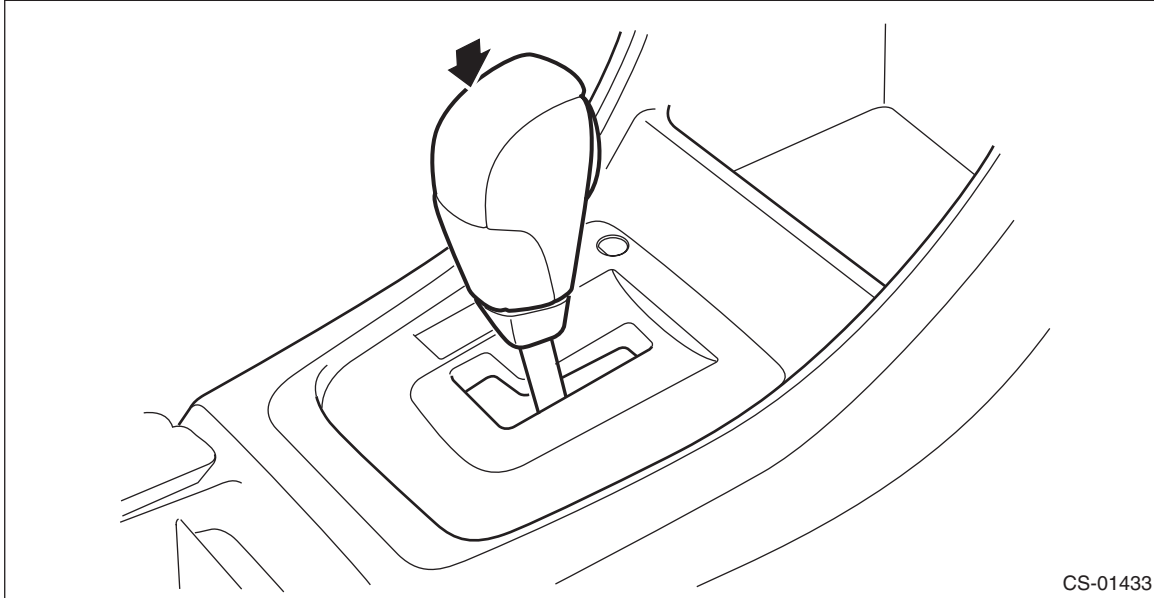
After installation, check that the cover grip AT cannot be detached.



## Select Lever

### CONTROL SYSTEMS

14) Insert the grip assembly to the select lever and press it down until a click is heard.



15) After installation of grip, check the following points.

- The grip will not come off.
- The button on the grip operates normally.

16) Install the console box. <Ref. to EI-73, INSTALLATION, Console Box.>

17) Shift the select lever to “N” range.

18) Lift up the vehicle.

19) Secure the cable to the bracket. <Ref. to CS-45, INSTALLATION, Select Cable.>

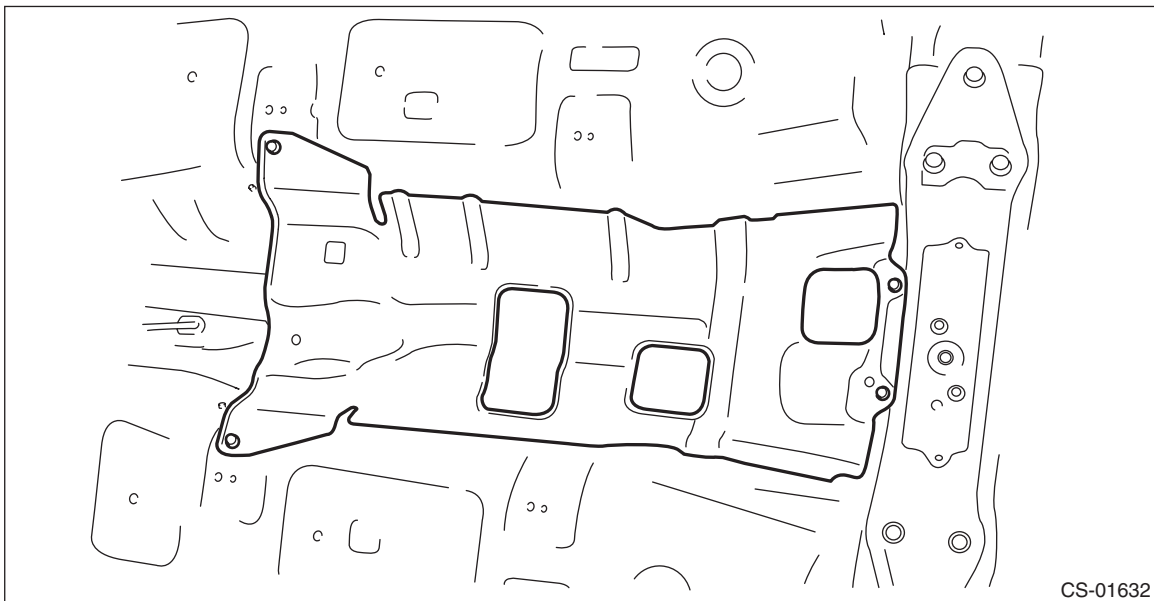
20) Adjust the select cable position. <Ref. to CS-49, ADJUSTMENT, Select Cable.>

21) After adjustment, confirm that the select lever operates properly at all range positions using the shift lock release button.

22) Install the center exhaust cover.

#### **Tightening torque:**

**18 N·m (1.8 kgf-m, 13.3 ft-lb)**



23) Install the center exhaust pipe. <Ref. to EX(H4DO)-14, INSTALLATION, Center Exhaust Pipe.>

24) Lower the vehicle.

25) Connect the battery ground terminal.

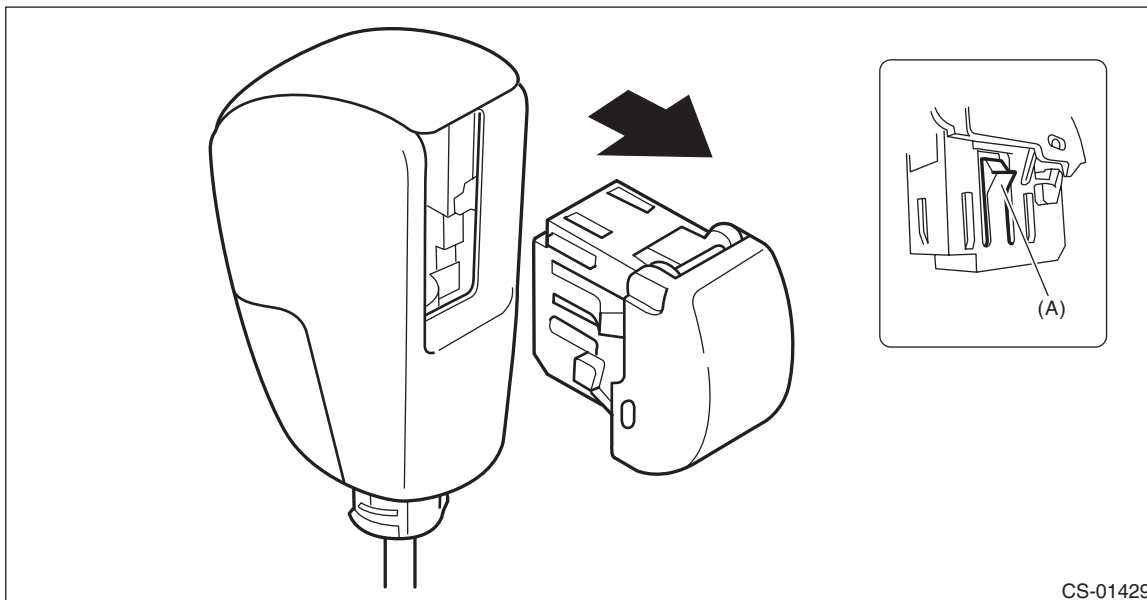
26) Inspect the following items. If a malfunction is found in the inspection, adjust the select cable or inhibitor switch.

- (1) The shift lock operates normally. <Ref. to CS-10, SHIFT LOCK OPERATION, INSPECTION, AT Shift Lock Control System.>
- (2) Engine starts when the select lever is in “P” or “N” range, but not in other ranges.
- (3) Back-up light illuminates when the select lever is in the “R” range, but not in other ranges.
- (4) Select lever and indicator positions are matched.

## C: DISASSEMBLY

### 1. GRIP ASSY

- 1) Remove the button assembly\_AT.

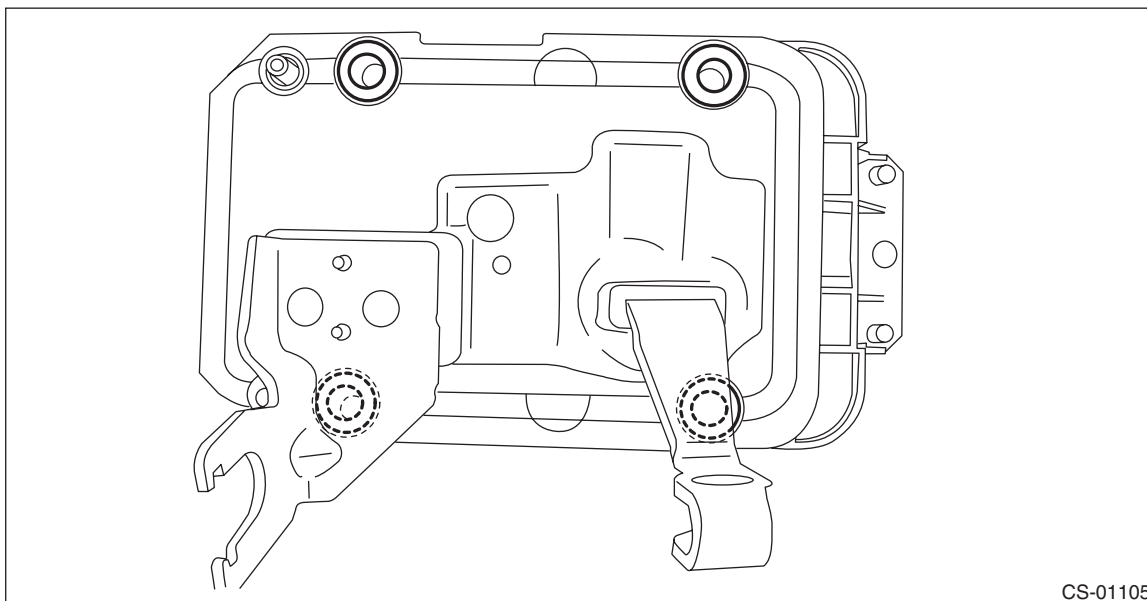


(A) Claw

- 2) Remove the rod COMPL.

### 2. AT SELECT LEVER ASSEMBLY

- 1) Remove the spacer plate.

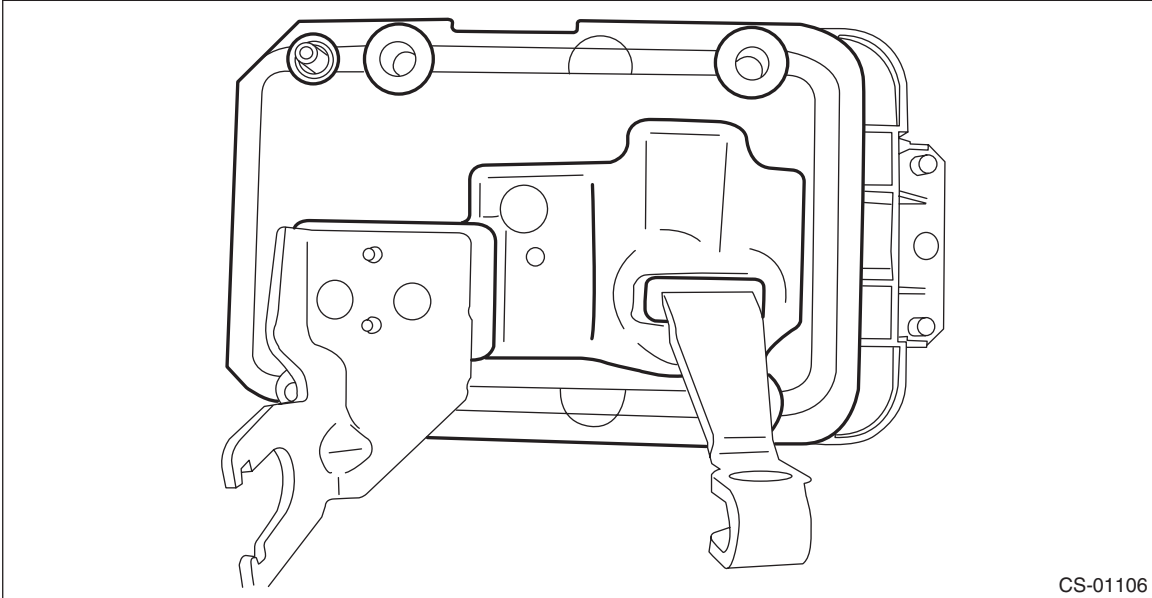


## Select Lever

### CONTROL SYSTEMS

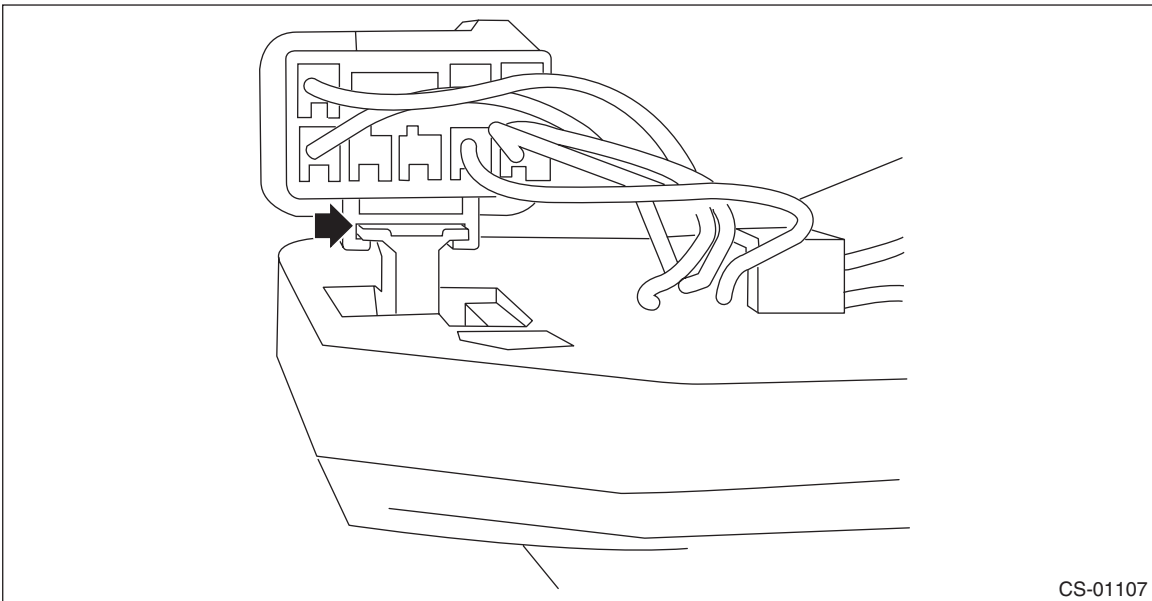
---

2) Remove the gasket.



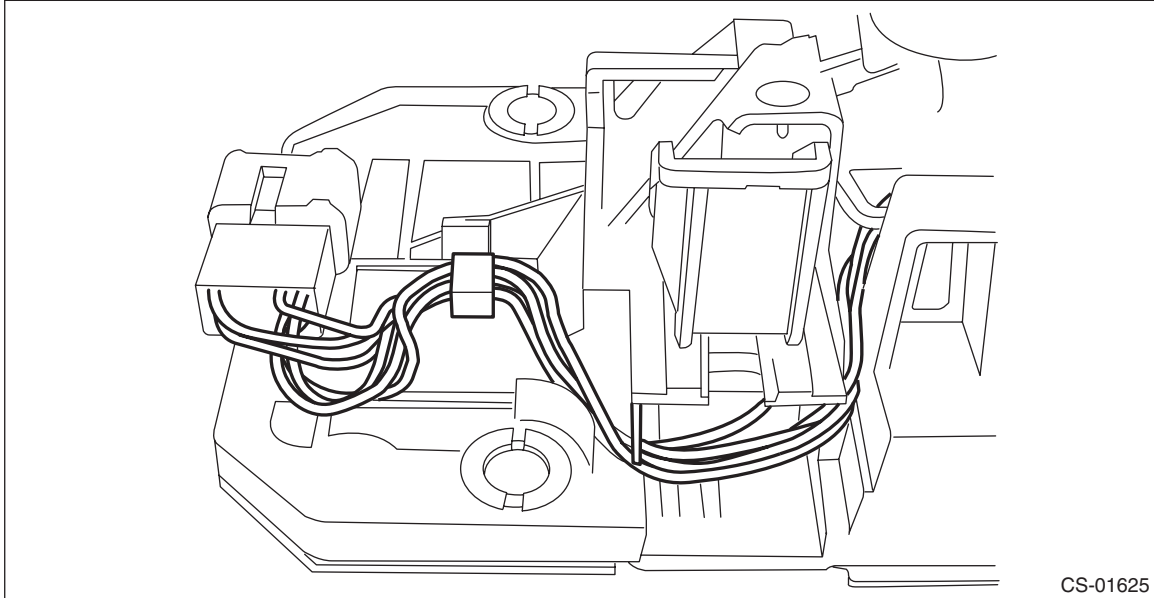
CS-01106

3) Insert a flat tip screwdriver with a thin tip under the connector and disconnect the harness connector from the plate COMPL.



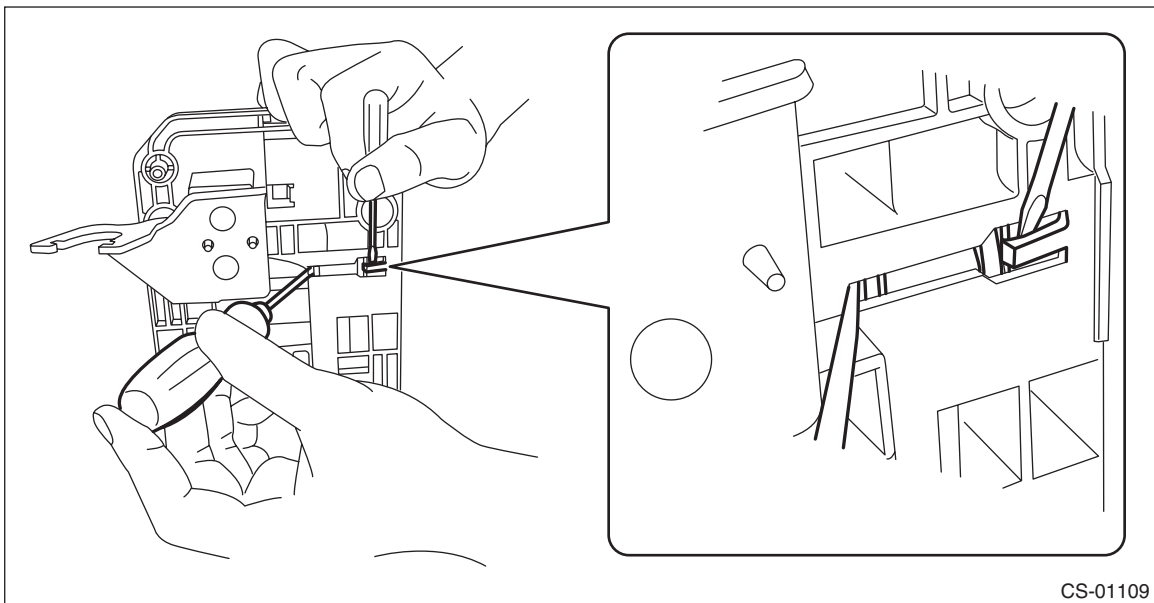
CS-01107

4) Remove the harness from the plate COMPL.



CS-01625

5) Raise the claw with a flat tip screwdriver with a thin tip and remove the solenoid unit.



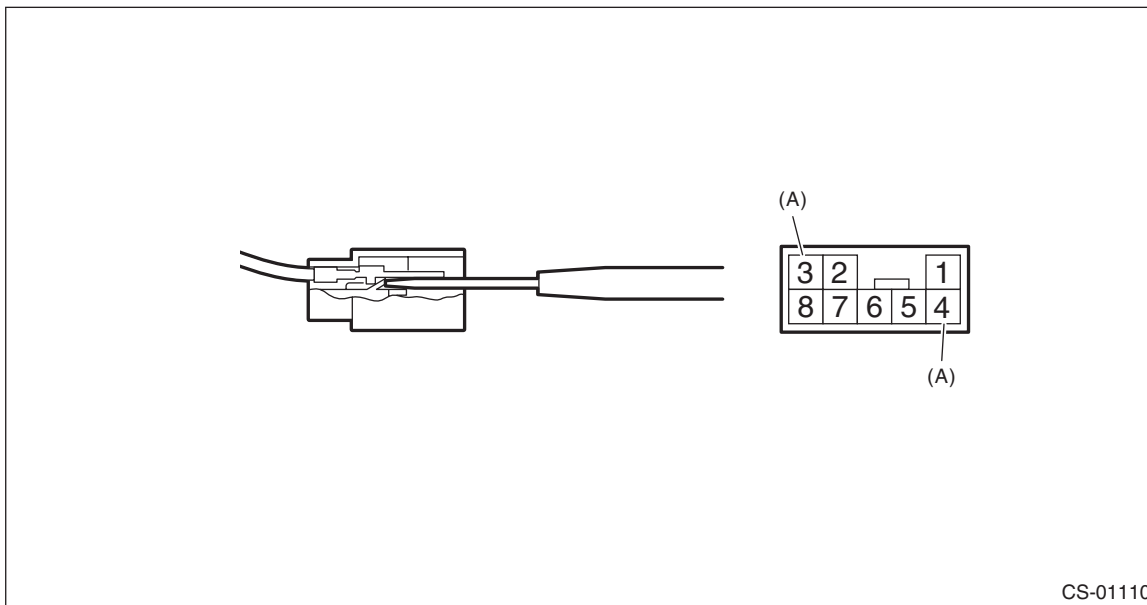
CS-01109



## Select Lever

### CONTROL SYSTEMS

6) Using a flat tip screwdriver with a thin tip, remove the solenoid unit terminals from the connector.

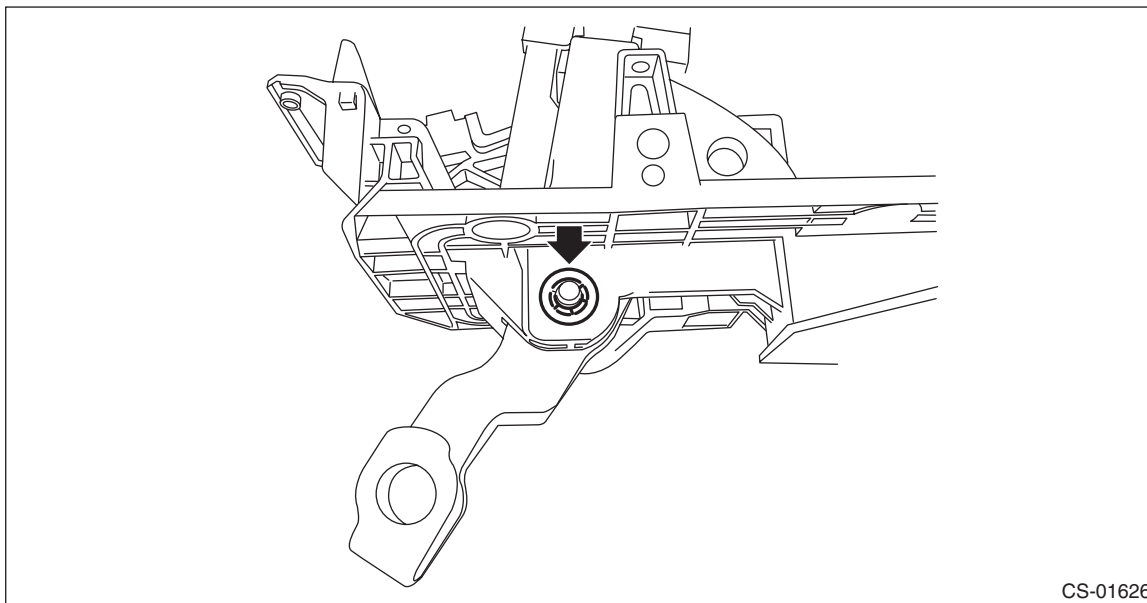


(A) Solenoid unit terminals

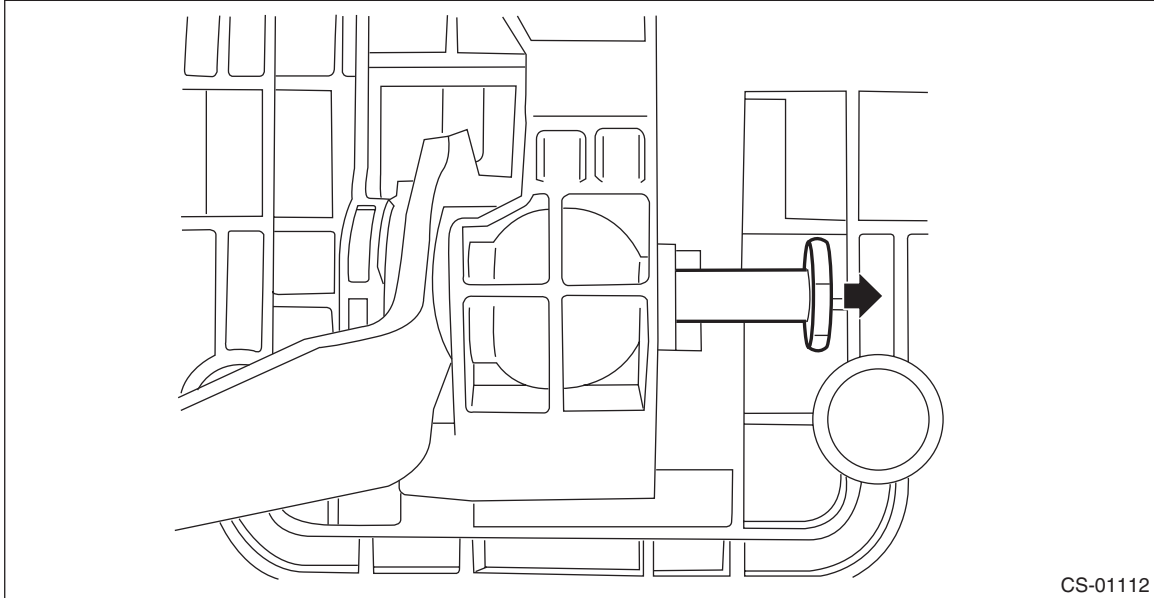
7) Remove the clamp push nut.

NOTE:

Replace the clamp push nut with a new part.



8) Pull out shaft control.

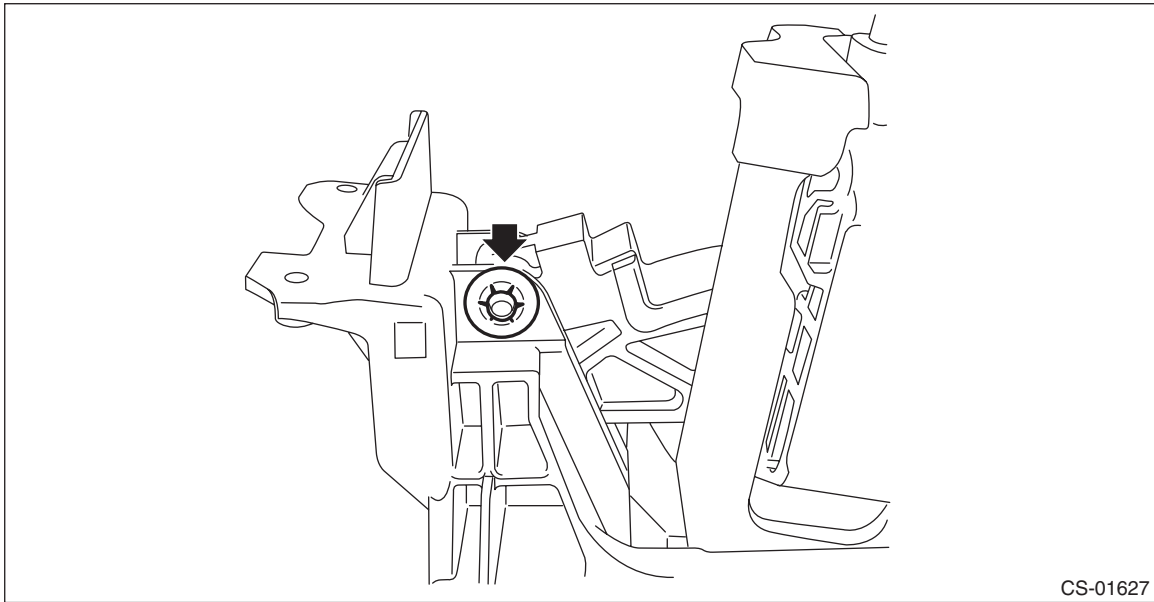


CS-01112

9) Remove the clamp push nut.

**NOTE:**

Replace the clamp push nut with a new part.



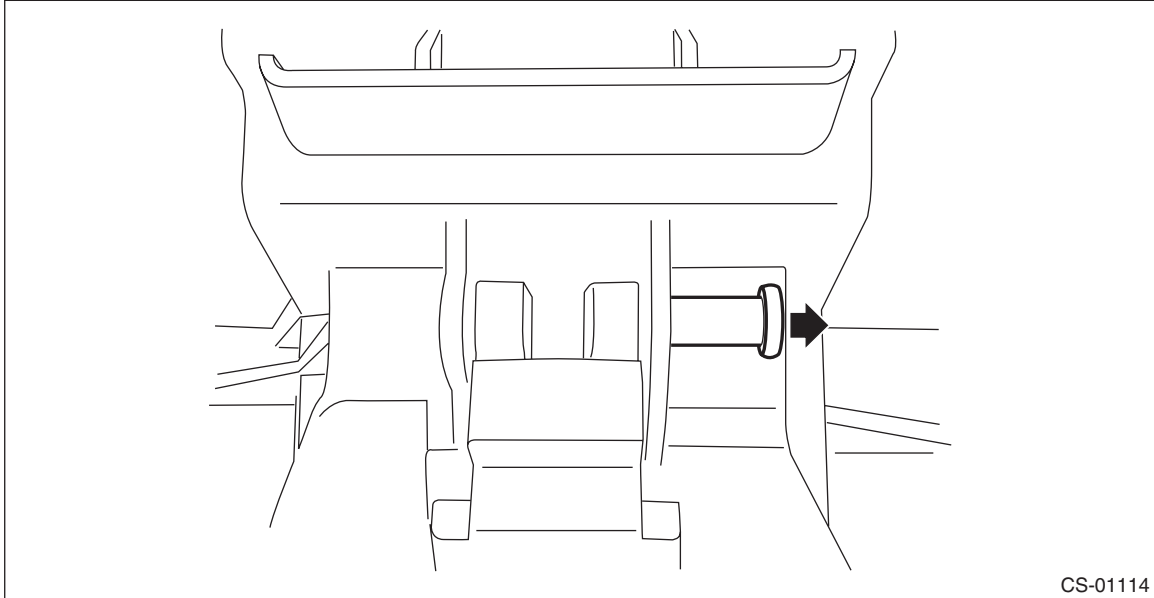
CS-01627

## Select Lever

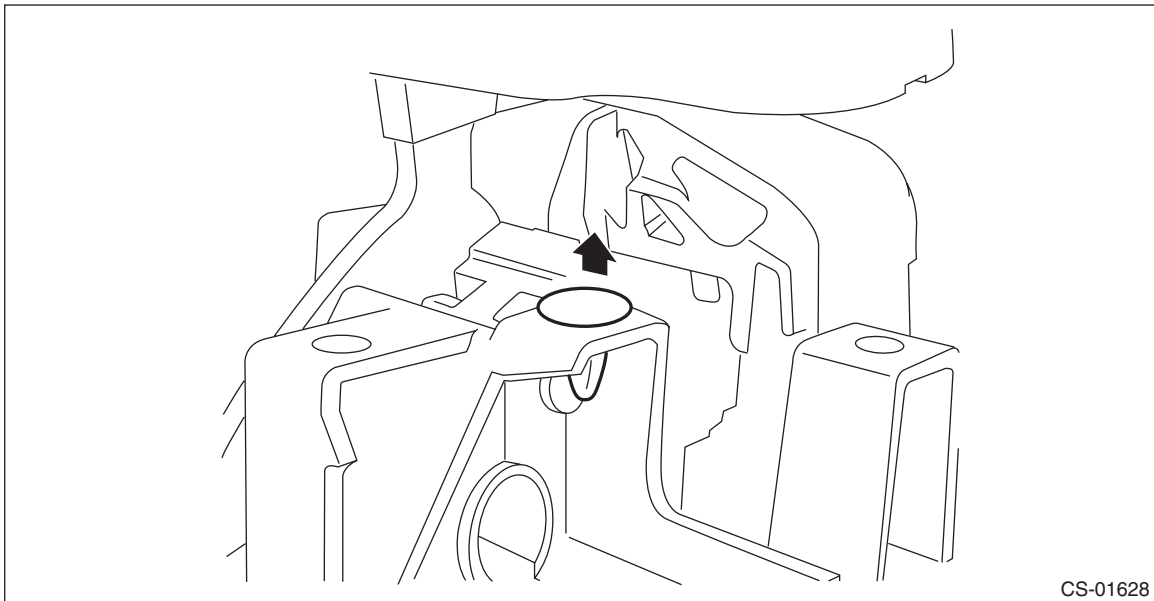
### CONTROL SYSTEMS

---

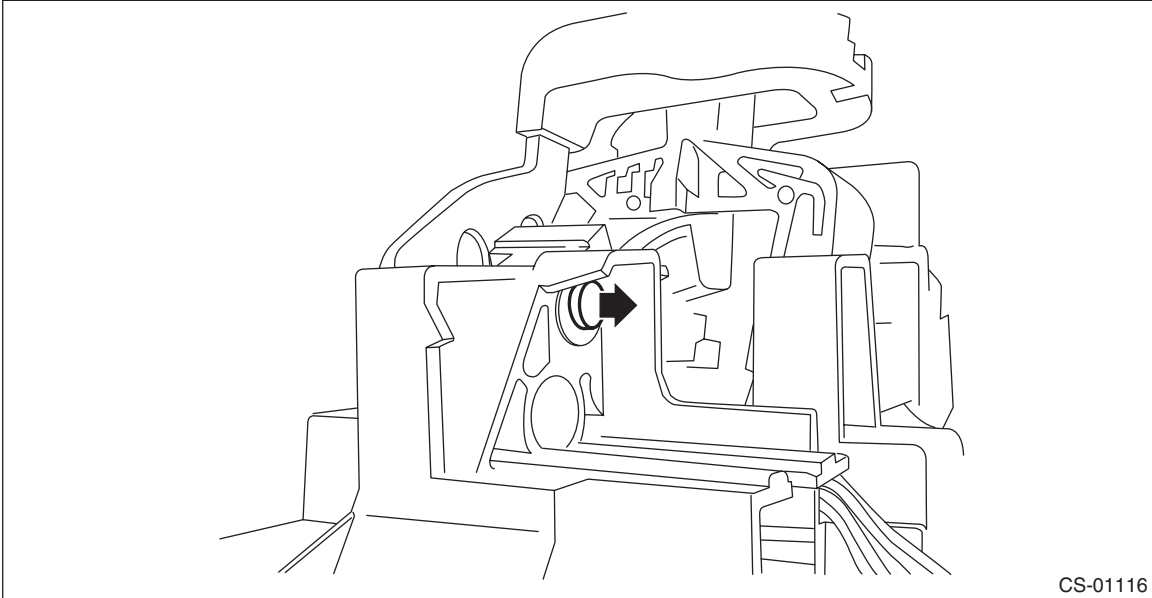
10) Pull out spacer pin guide.



11) Remove the clamp pin.

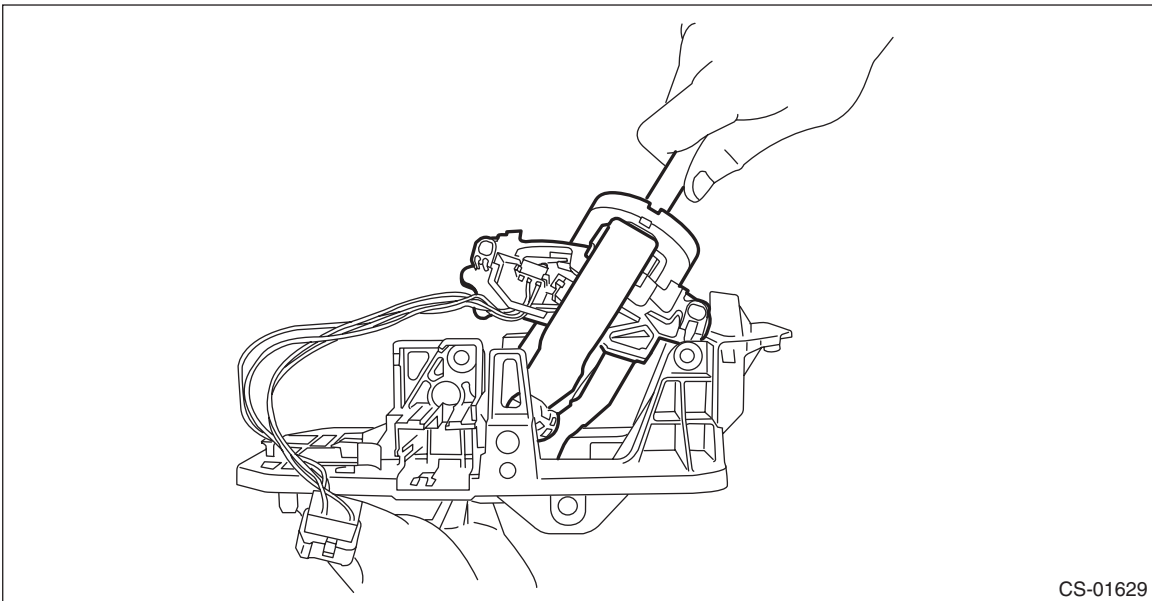


12) Remove the spacer pin guide.



CS-01116

13) Remove the select lever COMPL from the plate COMPL.



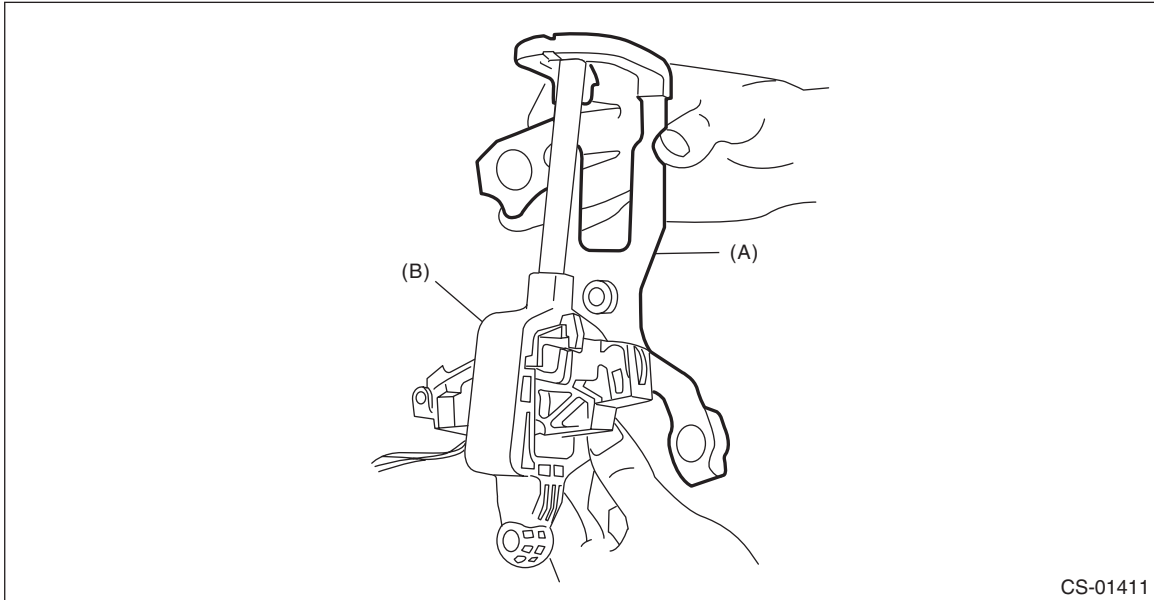
CS-01629

# Select Lever

## CONTROL SYSTEMS

---

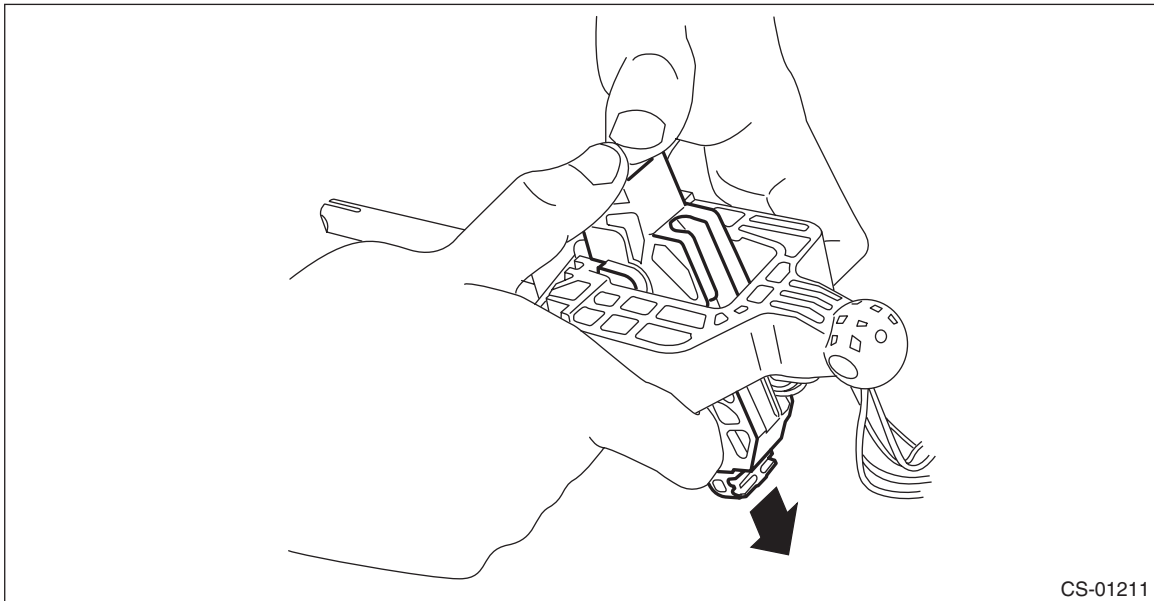
14) Remove the arm COMPL.



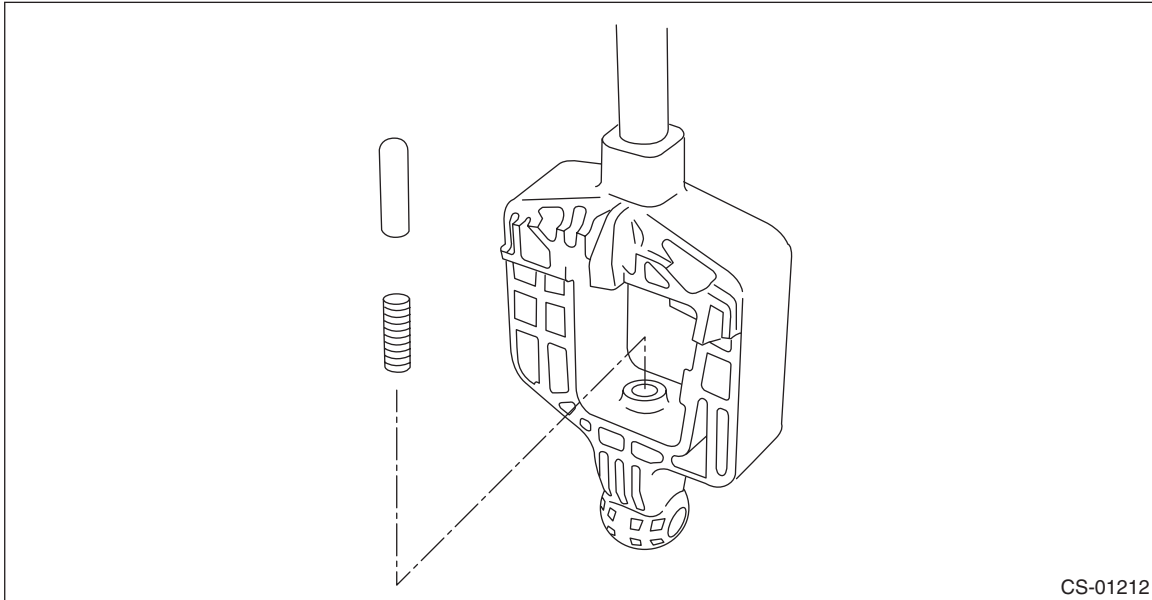
(A) Arm COMPL

(B) Selector lever COMPL

15) Remove the plate guide from the select lever COMPL.



16) Remove the rod detent and detent spring from the select lever COMPL.



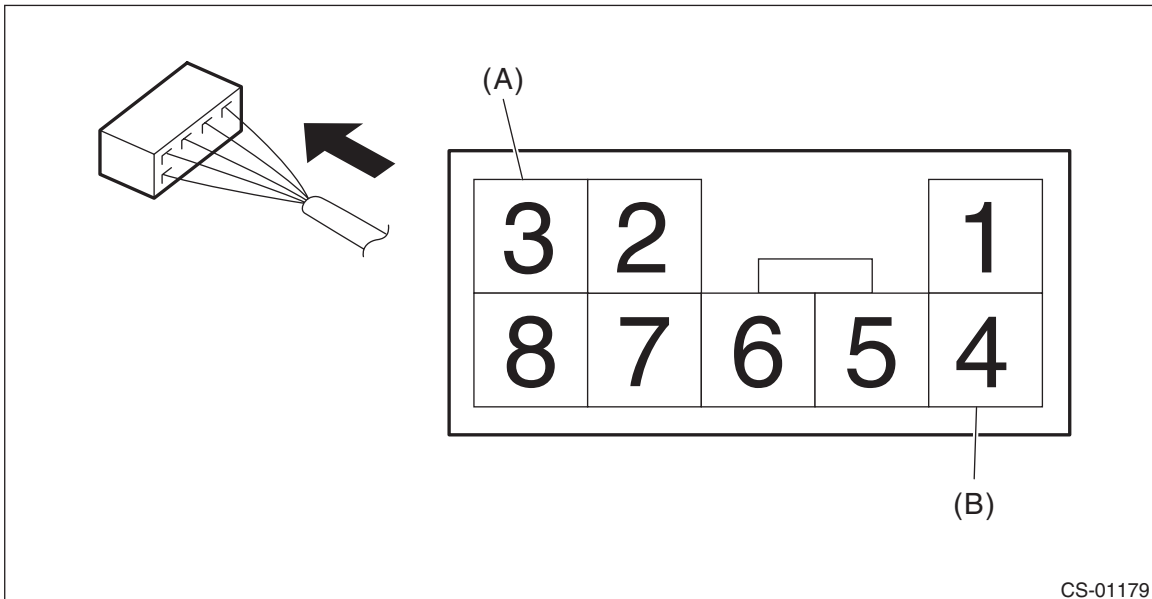
CS-01212

## D: ASSEMBLY

- 1) Clean all the parts before assembly.
- 2) Apply Multemp D or equivalent to the sliding portion of each part.
- 3) Assemble in the reverse order of disassembly.

### NOTE:

Insert the solenoid unit terminals to the harness connector.



CS-01179

- (A) Solenoid unit (color code: blue)  
 (B) Solenoid unit (color code: black)

4) After installation, check the following points.

- The select indicator matches the select lever position when the select lever is changed from “P” range to “D” range.
- The select lever position and the position mark match each other.
- Operating force to move the select lever from “P” to “D” range.

## Select Lever

CONTROL SYSTEMS

---

### **E: INSPECTION**

- 1) Inspect the removed parts by comparing with new parts for deformation, damage and wear. Repair or replace if defective.
- 2) Inspect the select lever assembly operating condition before assembly. Normal if it operates smoothly.