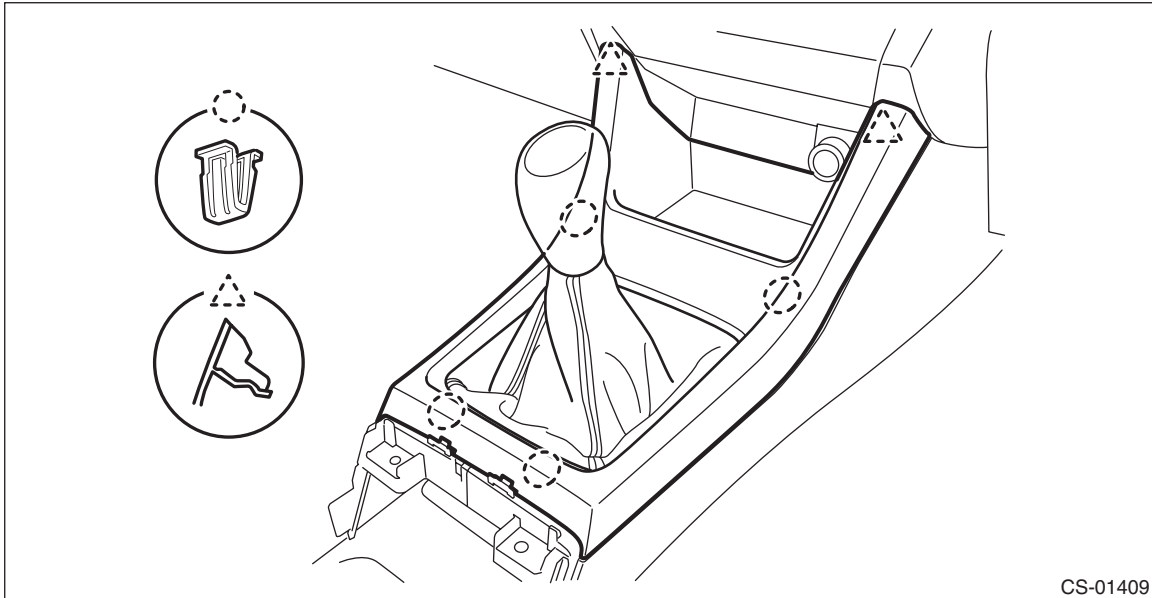


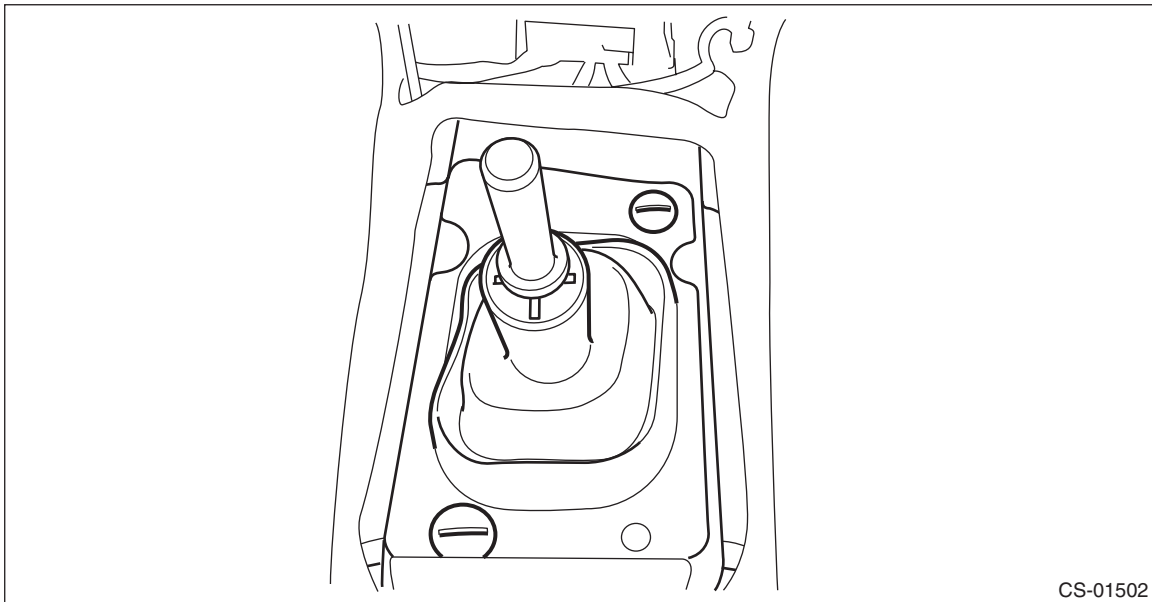
## 7. MT Gear Shift Lever

### A: REMOVAL

- 1) Disconnect the ground cable from battery.
- 2) Remove the console box. <Ref. to EI-71, REMOVAL, Console Box.>
- 3) Remove the gear shift knob and remove the cover - shift lever.



- 4) Remove the panel center LWR LH and RH. <Ref. to EI-71, REMOVAL, Console Box.>
- 5) Remove the clamp.

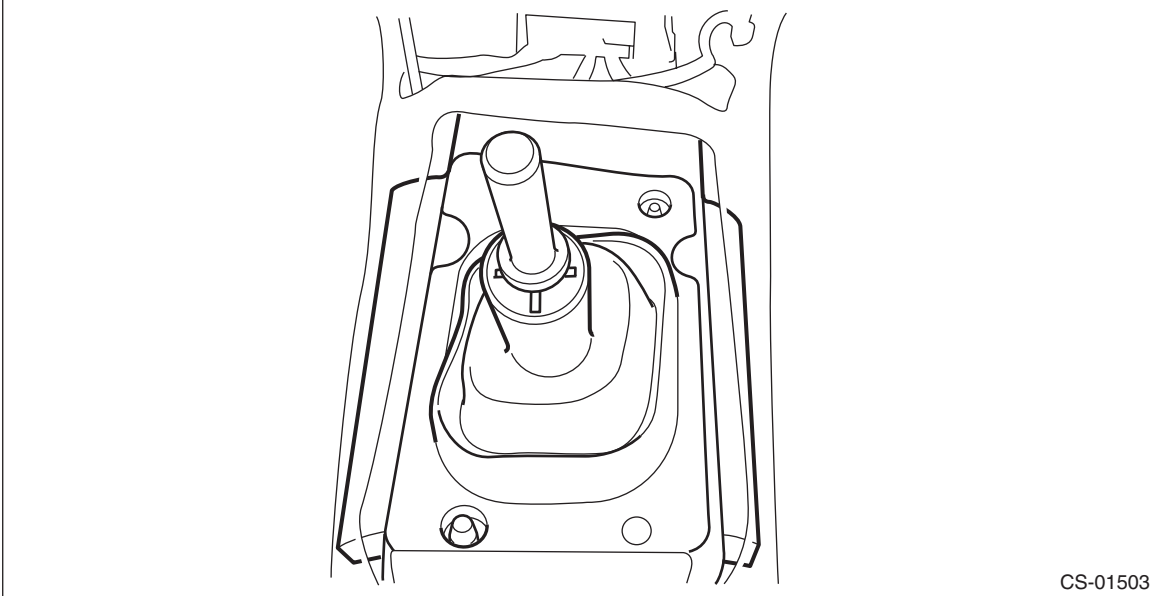


# MT Gear Shift Lever

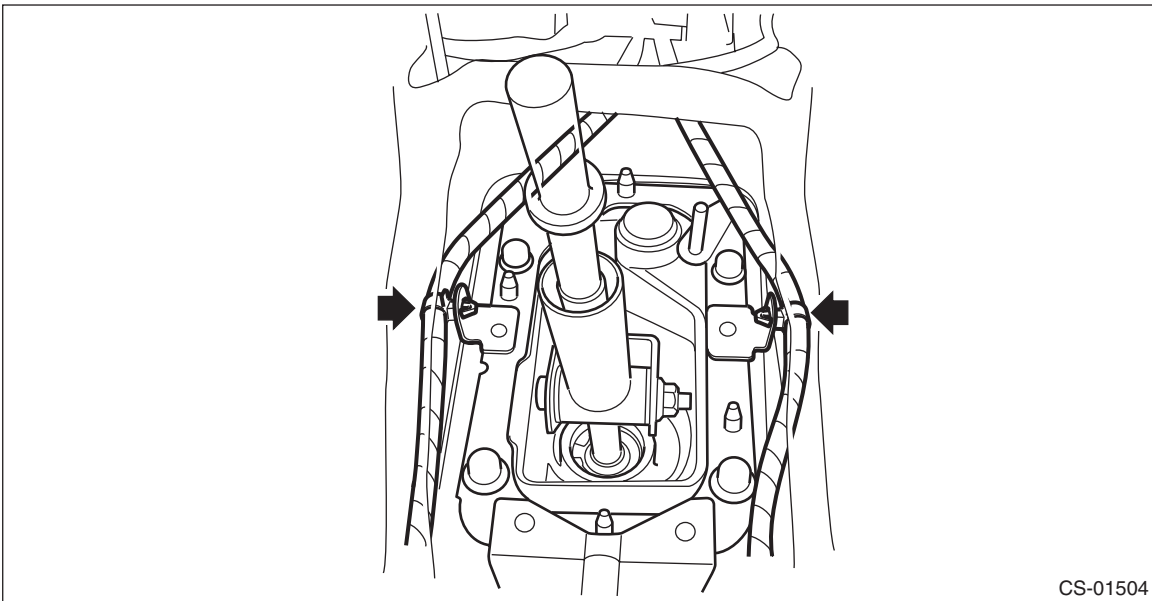
## CONTROL SYSTEMS

---

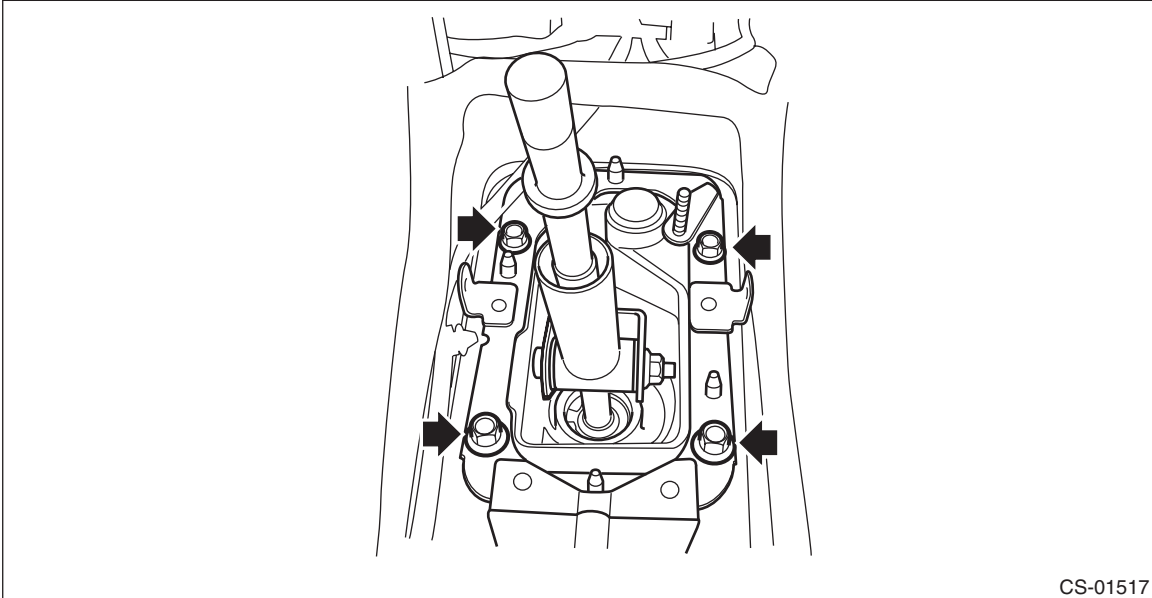
6) Remove the boot and insulator assembly.



7) Remove the harness clamp from the plate COMPL.



8) Remove the plate COMPL from the vehicle body.



CS-01517

9) Lift up the vehicle.

10) Remove the center exhaust pipe. <Ref. to EX(H4DO)-14, REMOVAL, Center Exhaust Pipe.>

11) Remove the center exhaust cover.

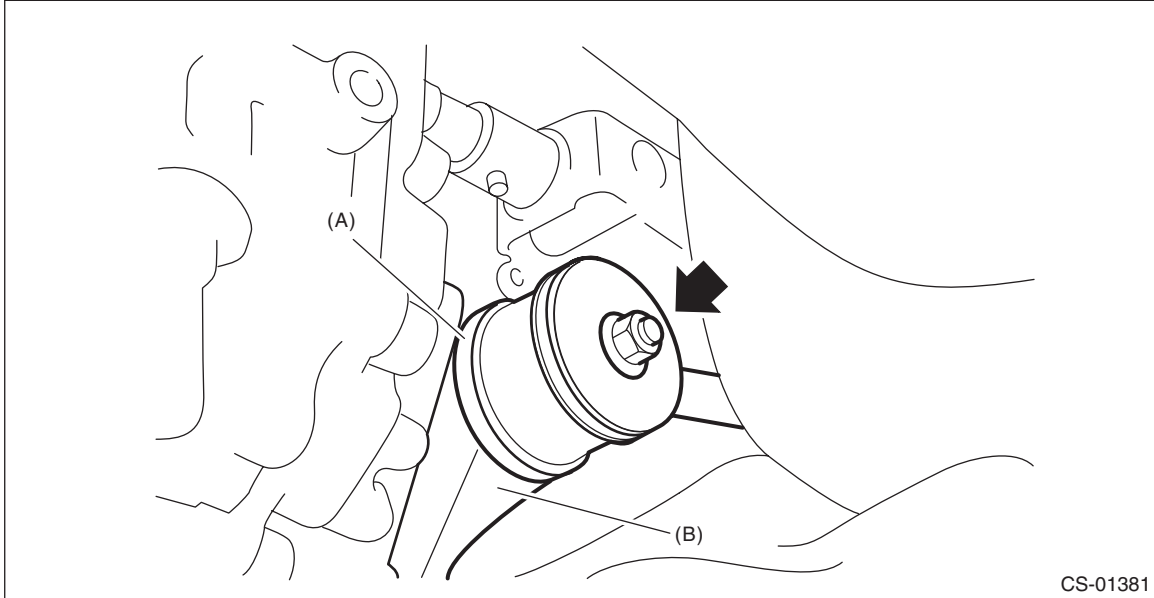


CS-01630

# MT Gear Shift Lever

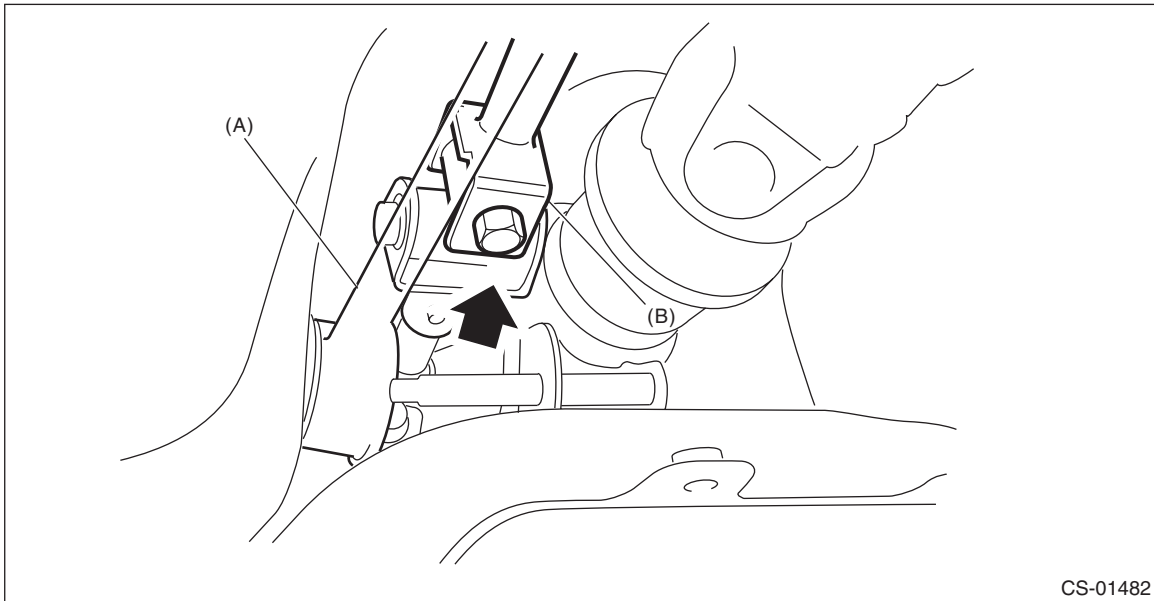
## CONTROL SYSTEMS

12) Remove the stay from the shift bracket.



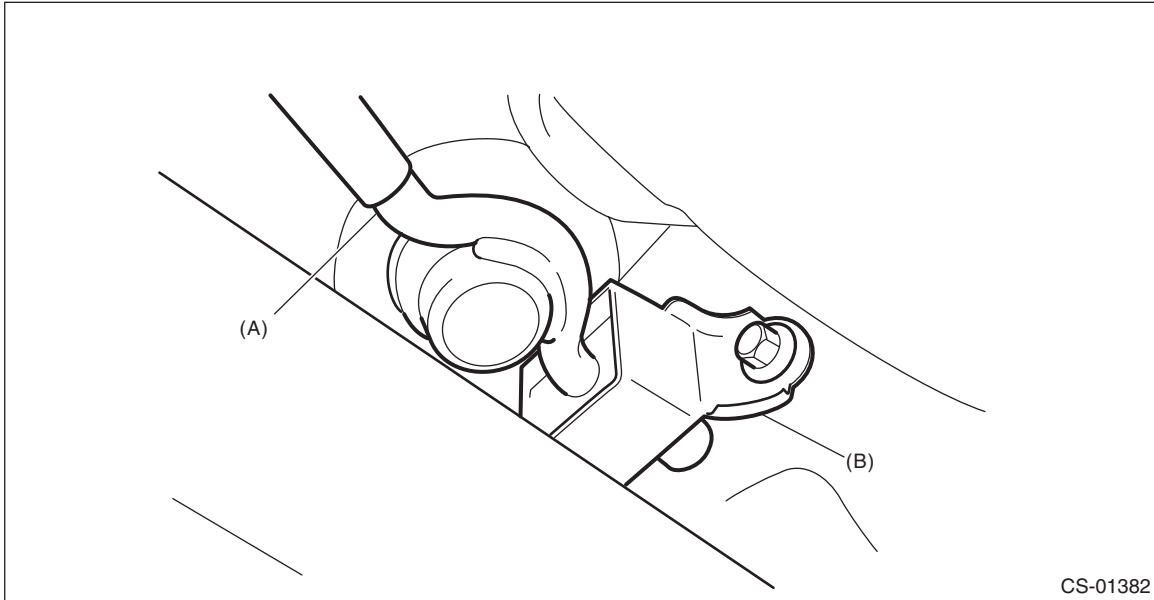
- (A) Stay
- (B) Shift bracket

13) Remove the rod from joint.



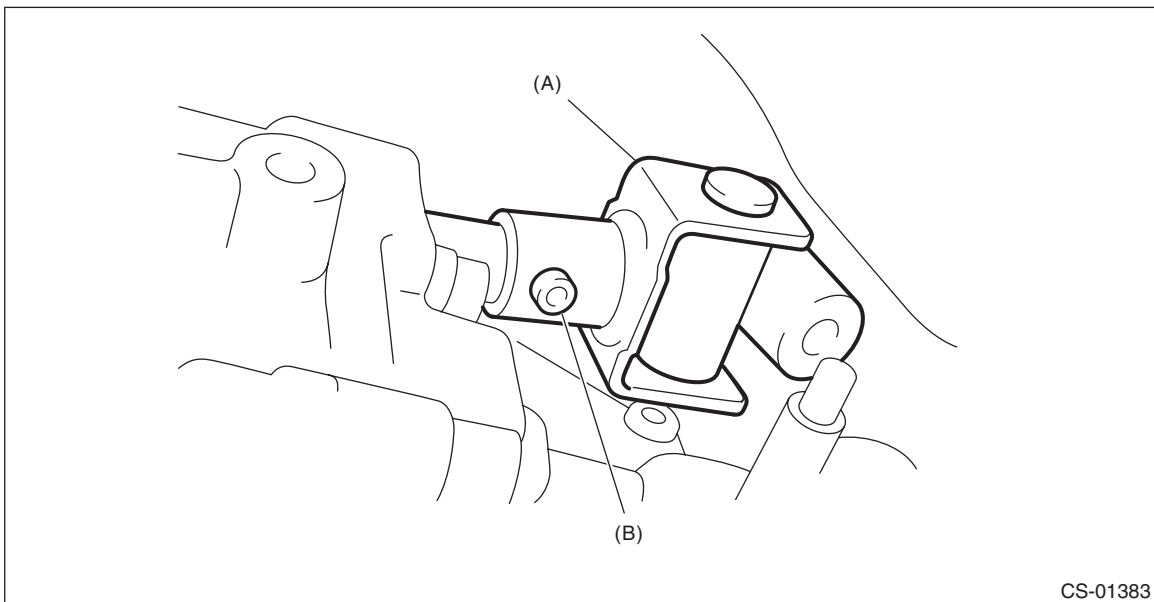
- (A) Stay
- (B) Rod

14) Remove the cushion rubber from the vehicle body.



- (A) Stay
- (B) Cushion rubber

15) Extract the spring pin and remove the joint.



- (A) Joint
- (B) Spring pin

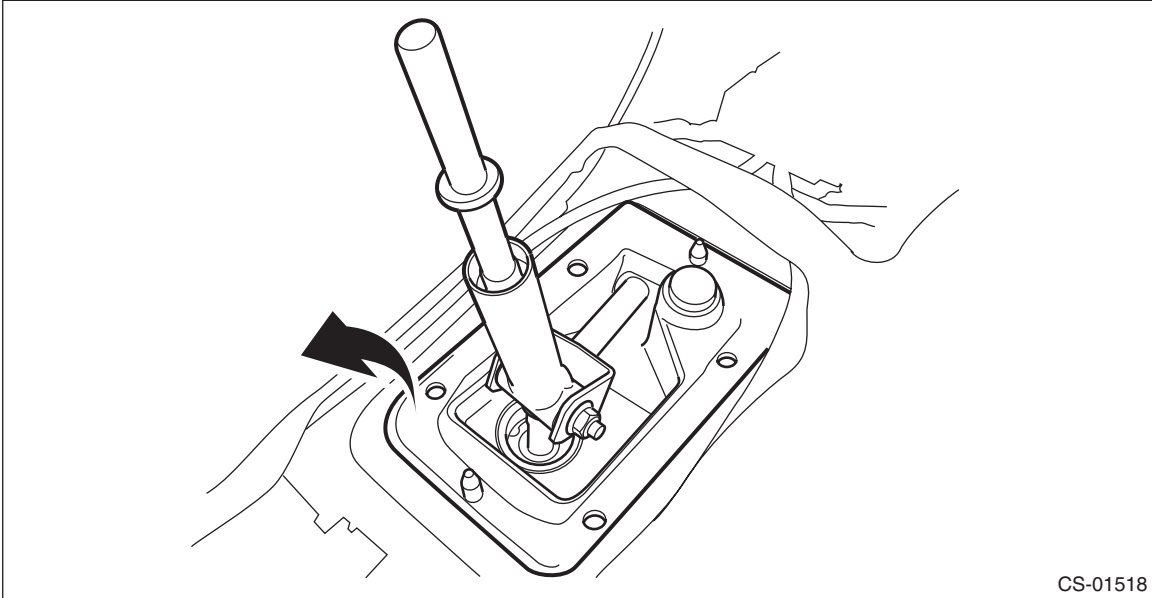
16) Lower the vehicle.

# MT Gear Shift Lever

## CONTROL SYSTEMS

---

17) Remove the gear shift lever.

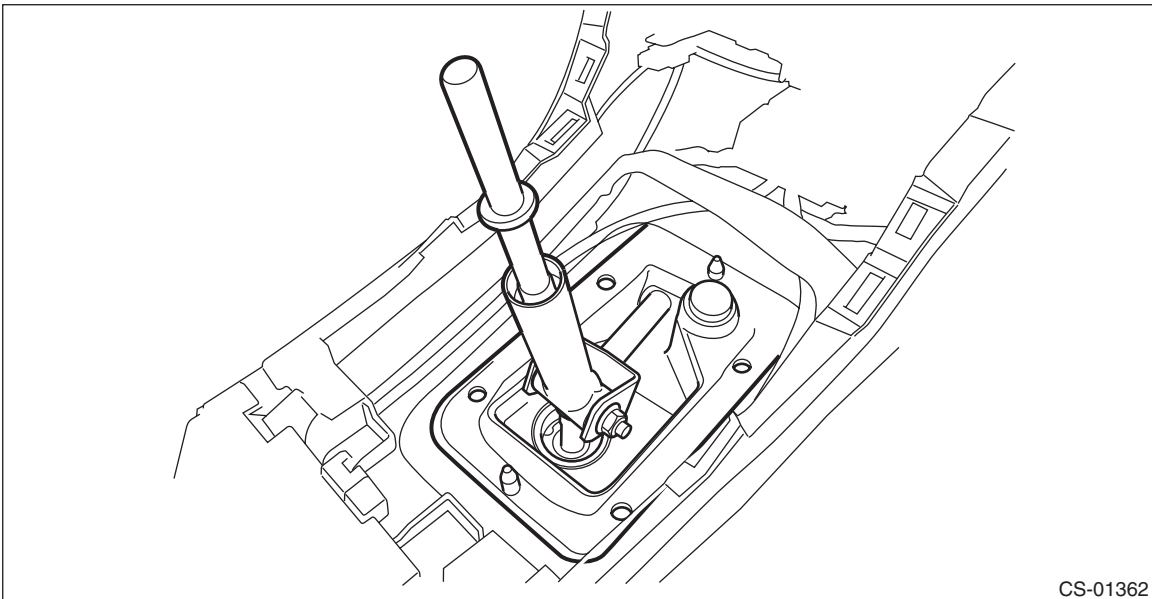


## B: INSTALLATION

1) Insert the gear shift lever from the room side.

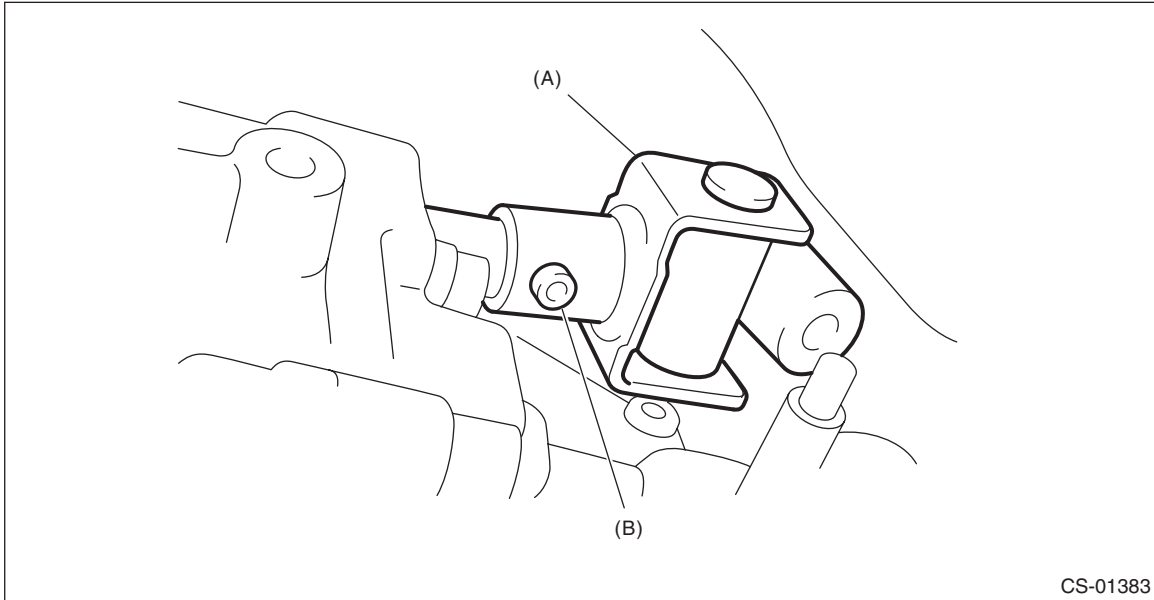
### NOTE:

Insert the rod and the stay, and then temporarily set them onto the transmission mount.



2) Lift up the vehicle.

3) Install the joint to the transmission and secure with a spring pin.

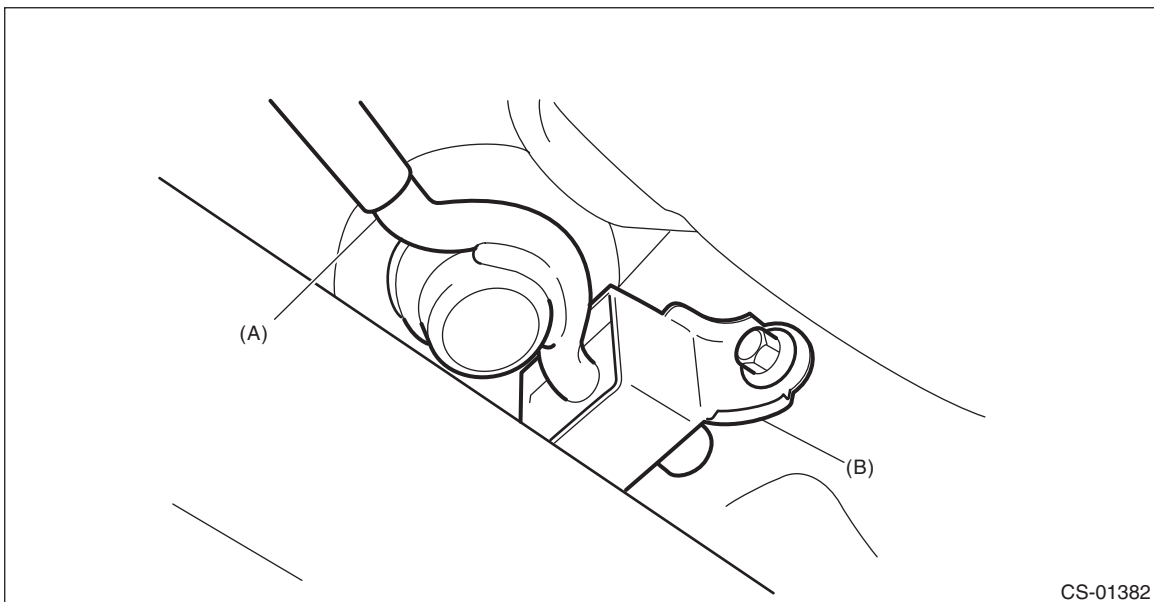


- (A) Joint
- (B) Spring pin

4) Mount the cushion rubber on the vehicle body.

**Tightening torque:**

**18 N·m (1.8 kgf·m, 13.3 ft·lb)**



- (A) Stay
- (B) Cushion rubber

# MT Gear Shift Lever

## CONTROL SYSTEMS

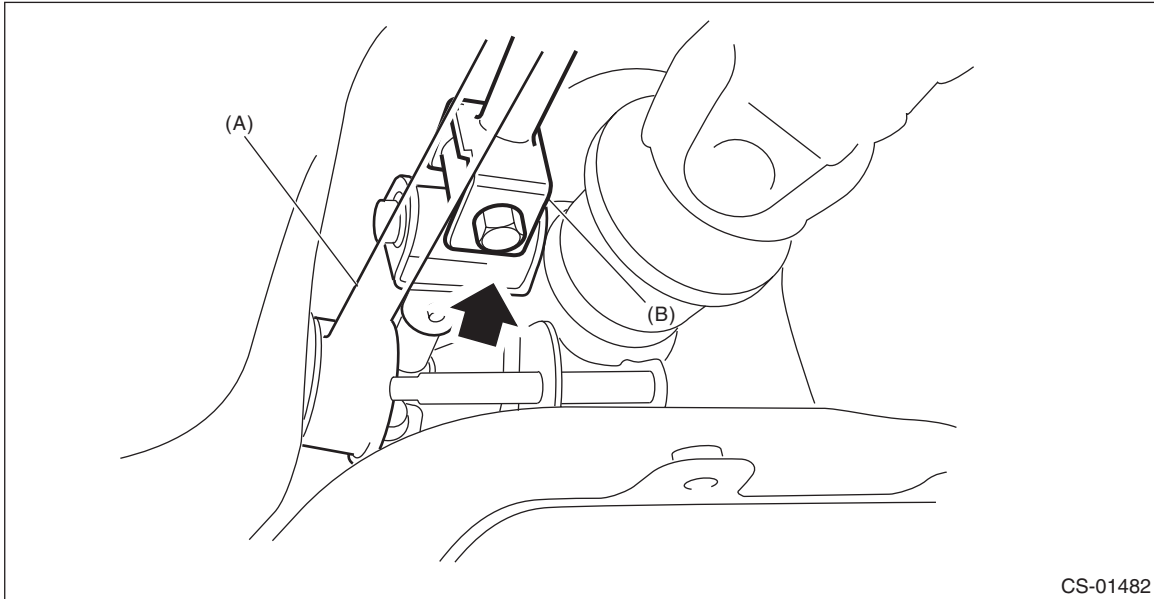
5) Connect the rod to the joint.

**NOTE:**

Use a new self-locking nut.

**Tightening torque:**

**12 N·m (1.2 kgf·m, 8.9 ft·lb)**



(A) Stay

(B) Rod

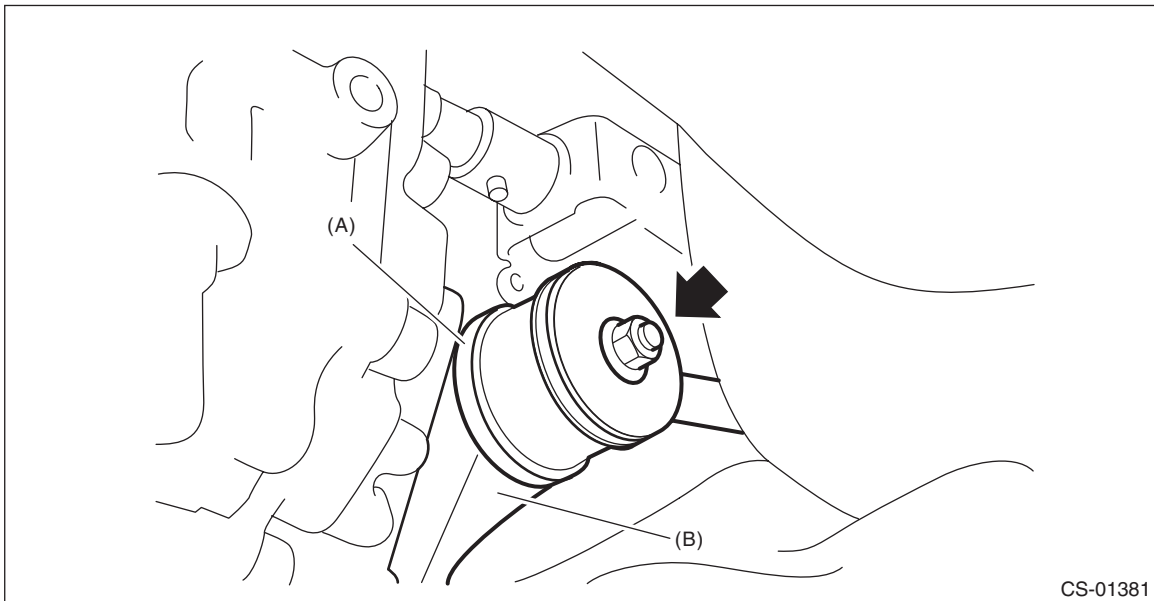
6) Connect the stay to the shift bracket, and tighten the self-locking nut.

**NOTE:**

Use a new self-locking nut.

**Tightening torque:**

**18 N·m (1.8 kgf·m, 13.3 ft·lb)**



(A) Stay

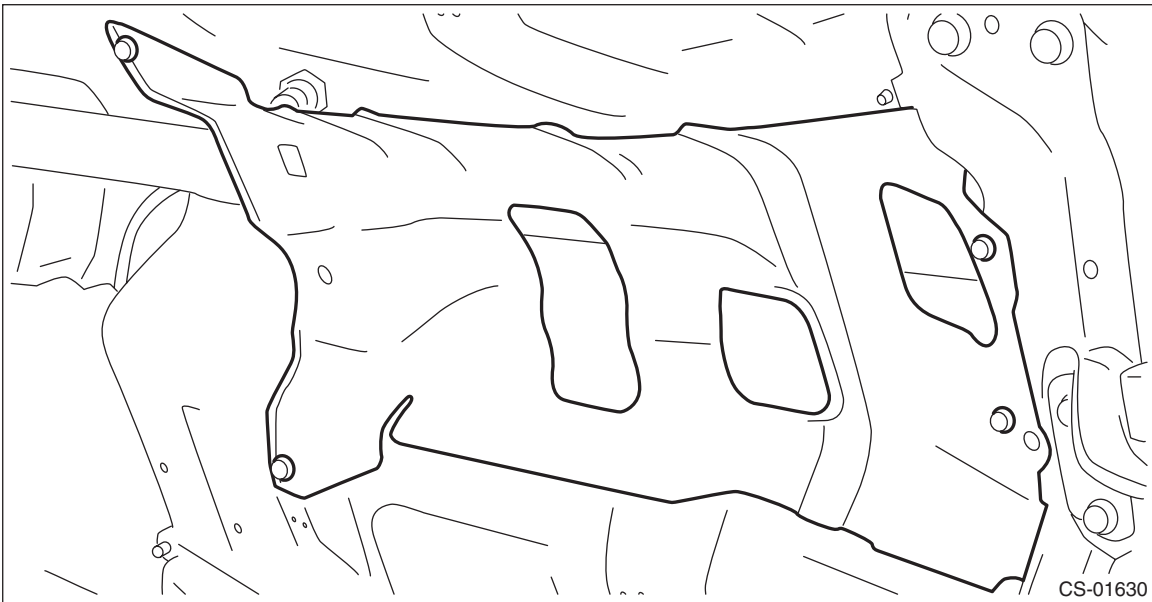
(B) Shift bracket



7) Install the center exhaust cover.

**Tightening torque:**

**18 N·m (1.8 kgf·m, 13.3 ft·lb)**



8) Install the center exhaust pipe. <Ref. to EX(H4DO)-14, INSTALLATION, Center Exhaust Pipe.>

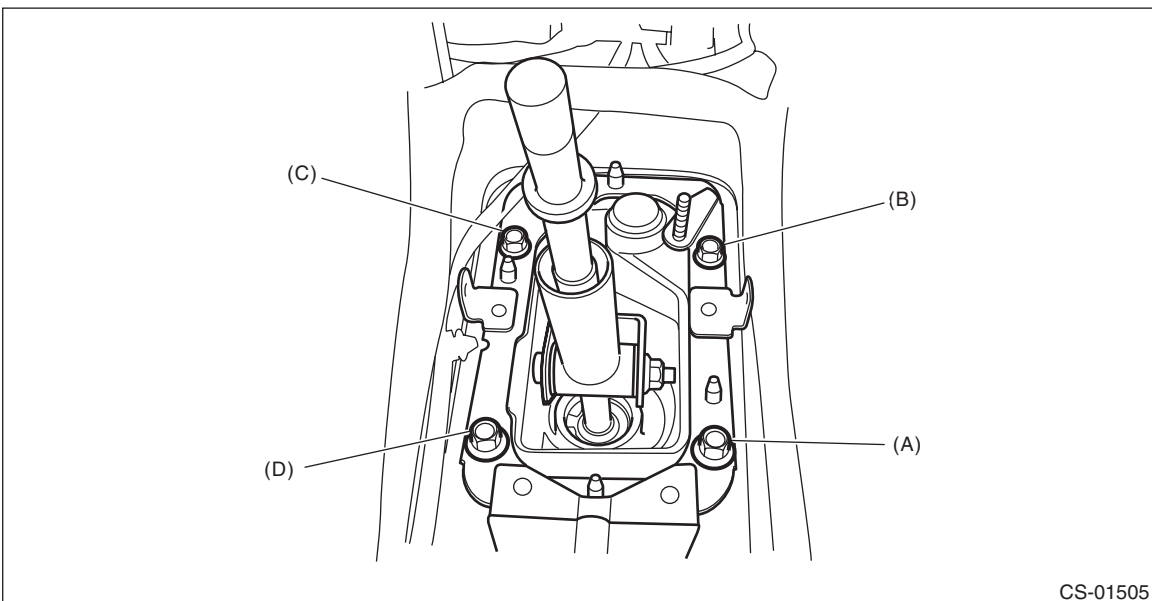
9) Lower the vehicle.

10) Install the plate COMPL to the body.

**Tightening torque:**

**18 N·m (1.8 kgf·m, 13.3 ft·lb)**

- (1) Set the plate COMPL to the vehicle.
- (2) Temporarily tighten the bolt (A).
- (3) Tighten the bolt (B).
- (4) Tighten the bolt (A).
- (5) Tighten the bolts (C) and (D).



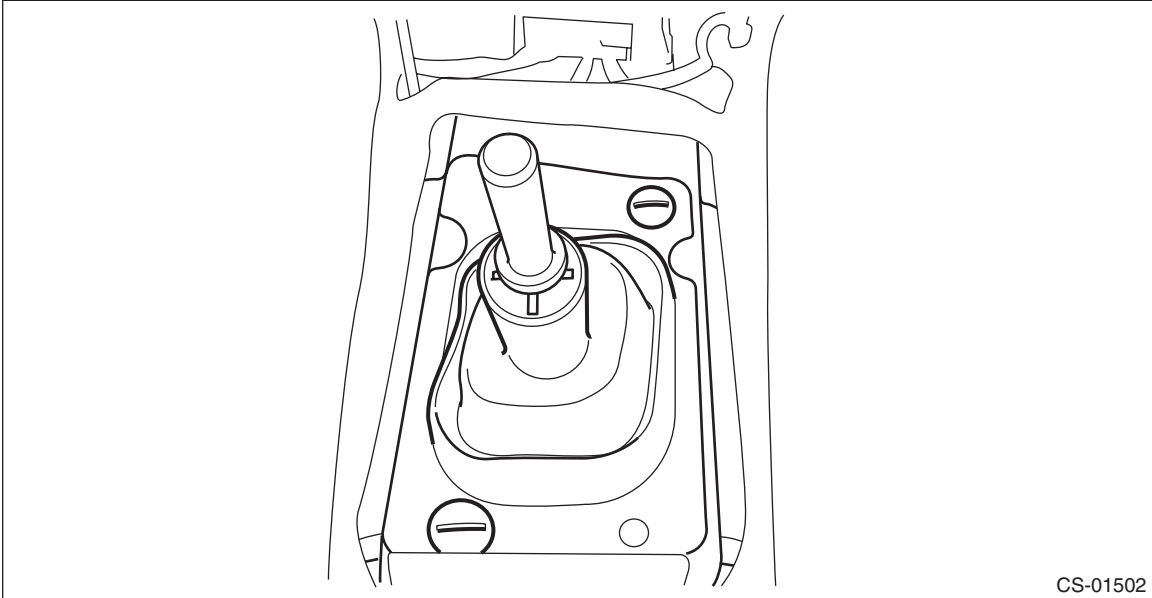
11) Install the harness clamp to the plate.

## MT Gear Shift Lever

### CONTROL SYSTEMS

---

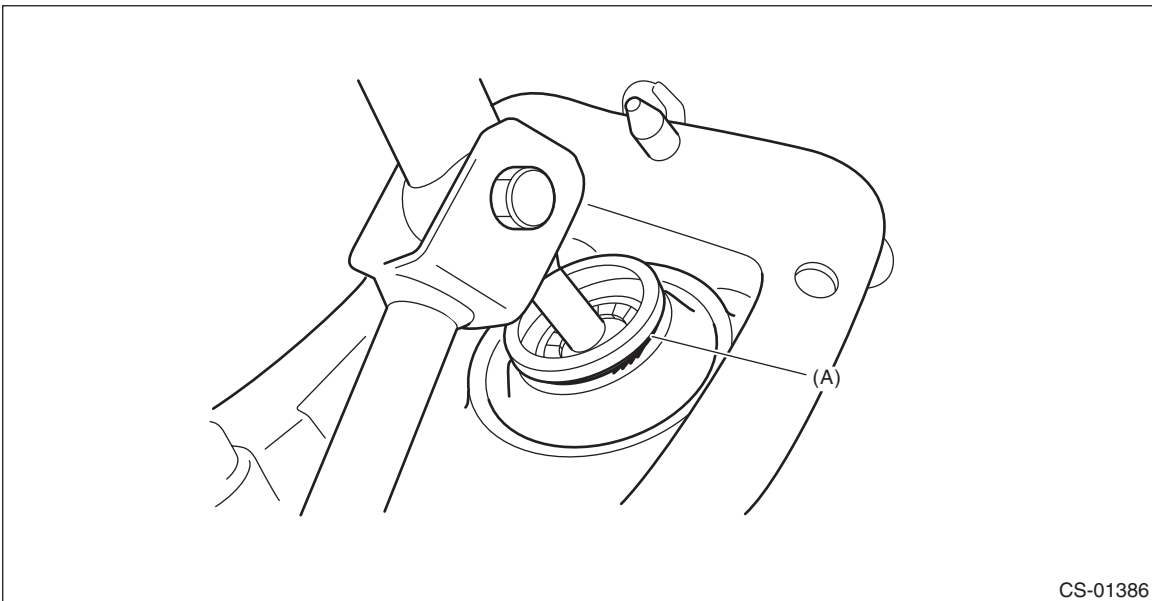
- 12) Install the boot and insulator assembly, and secure with a clamp.



- 13) Install the panel center LWR LH and RH. <Ref. to EI-73, INSTALLATION, Console Box.>
- 14) Install the cover - shift lever, and install the gear shift knob.
- 15) Install the console box. <Ref. to EI-73, INSTALLATION, Console Box.>
- 16) Make sure the gears can be shifted accurately into each gear.
- 17) Connect the battery ground terminal.

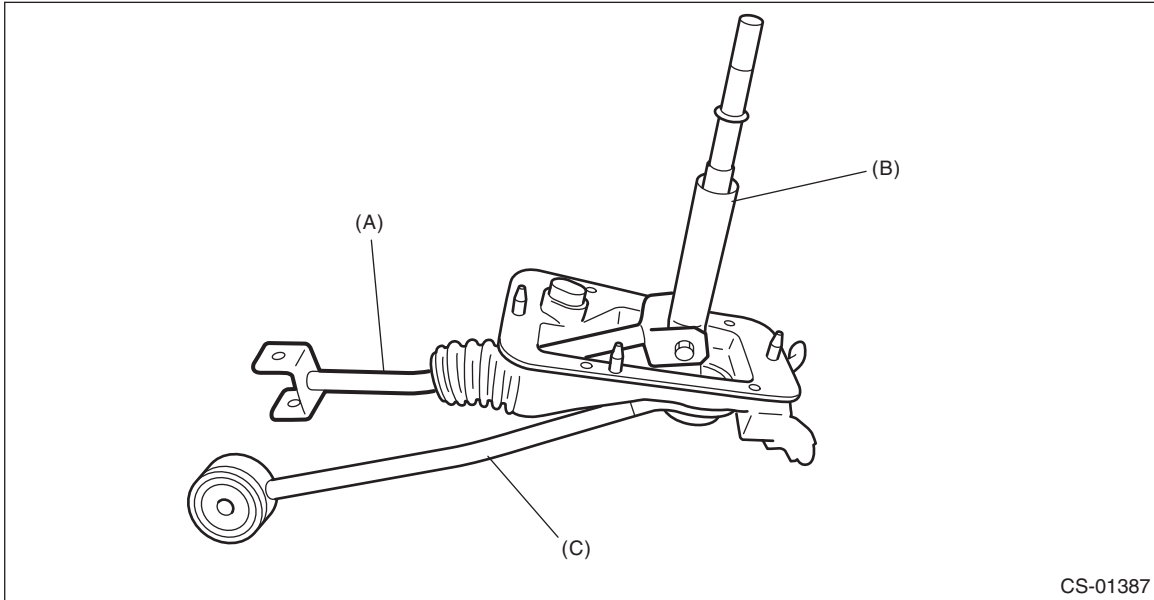
### C: DISASSEMBLY

- 1) Remove the lock wires.



(A) Lock wire

2) Remove the rod from gear shift lever.

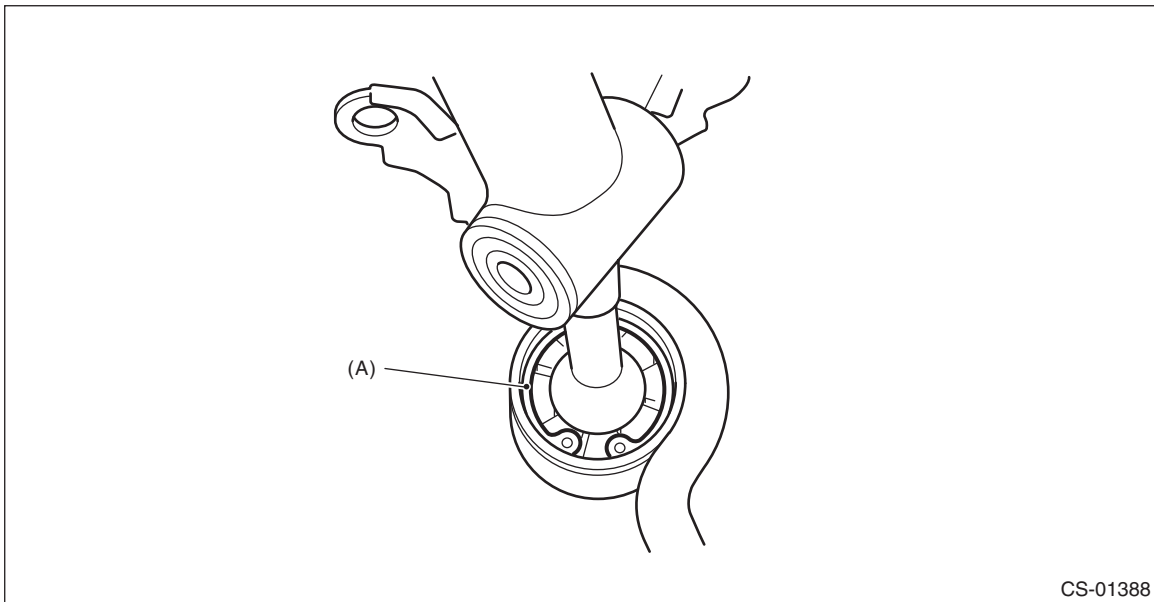


CS-01387

- (A) Rod
- (B) Lever
- (C) Stay

3) Separate the rod and inner boot.

4) Remove the snap ring from the stay.



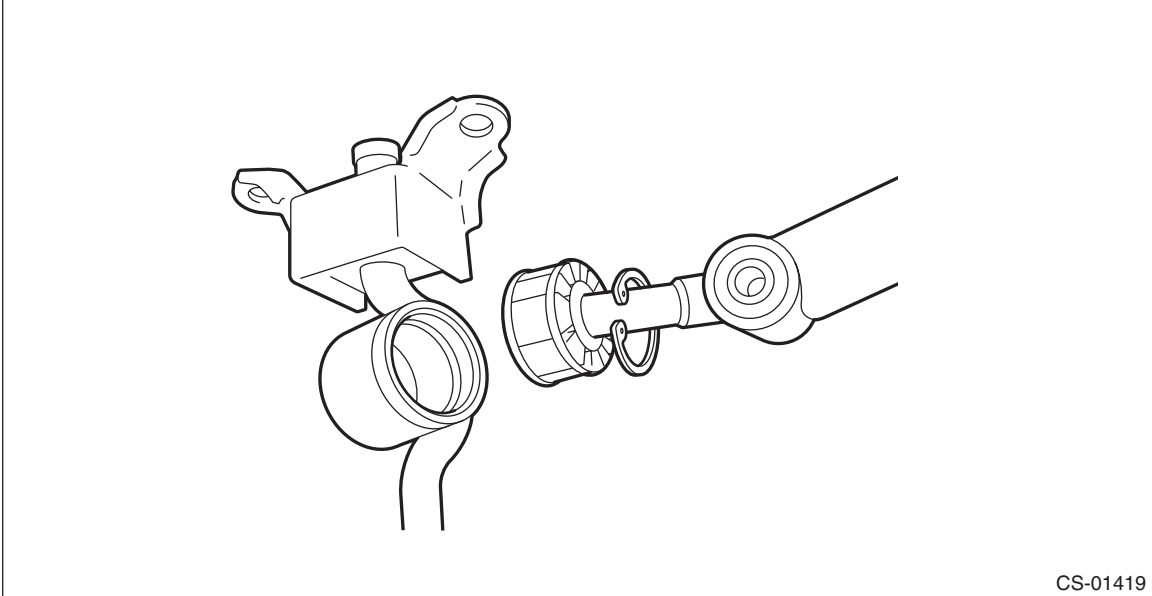
CS-01388

- (A) Snap ring

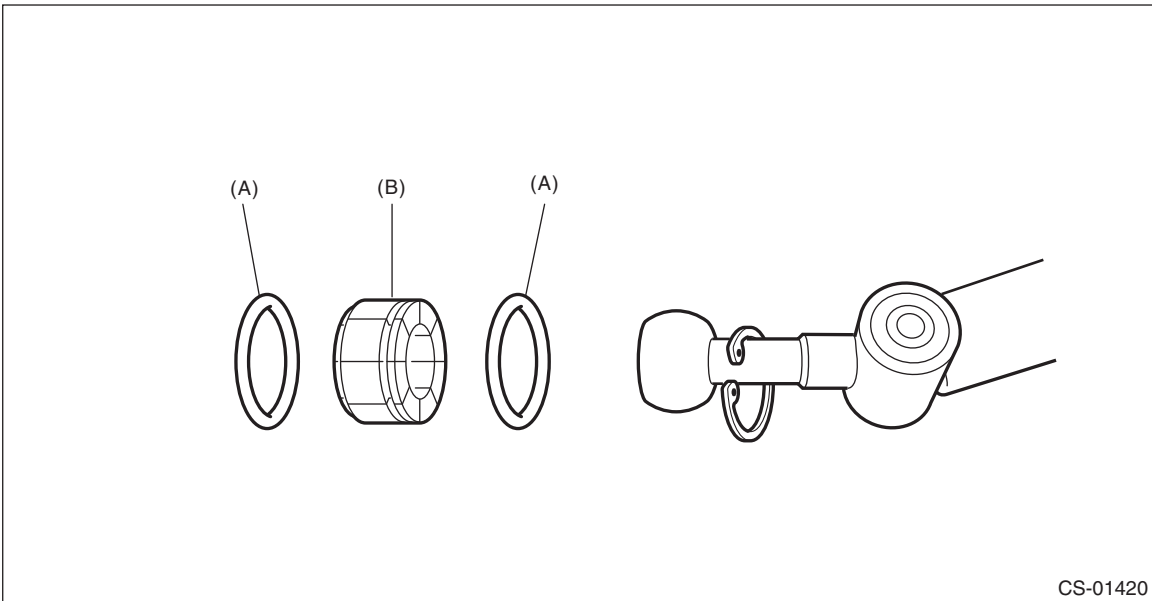
# MT Gear Shift Lever

## CONTROL SYSTEMS

5) Separate the gear shift lever and the stay.

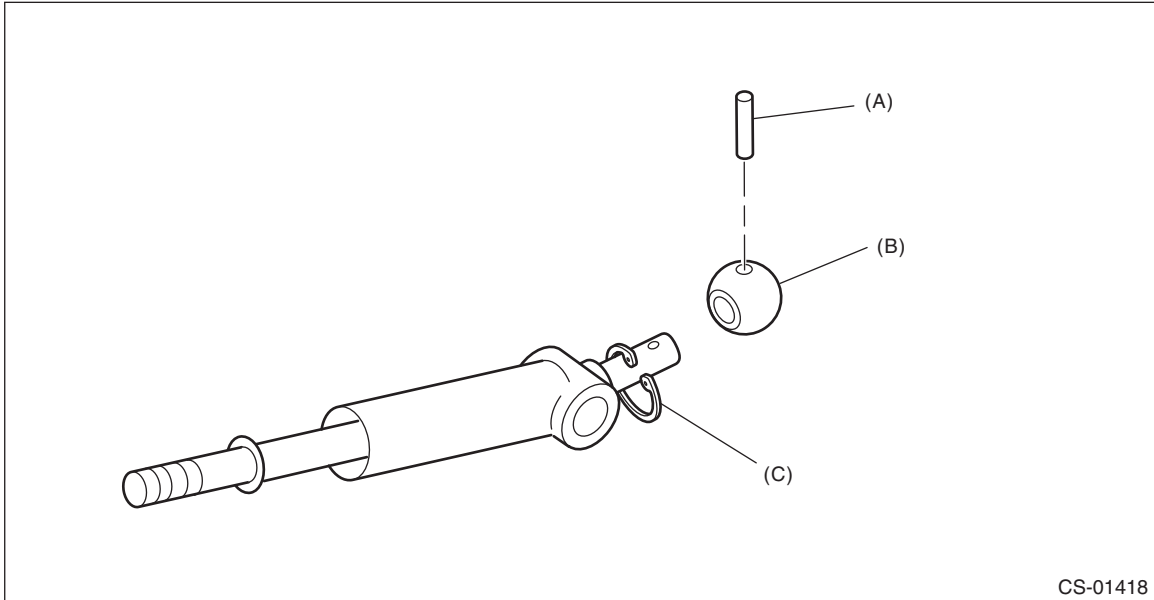


6) Remove the boot and bushing from the gear shift lever.



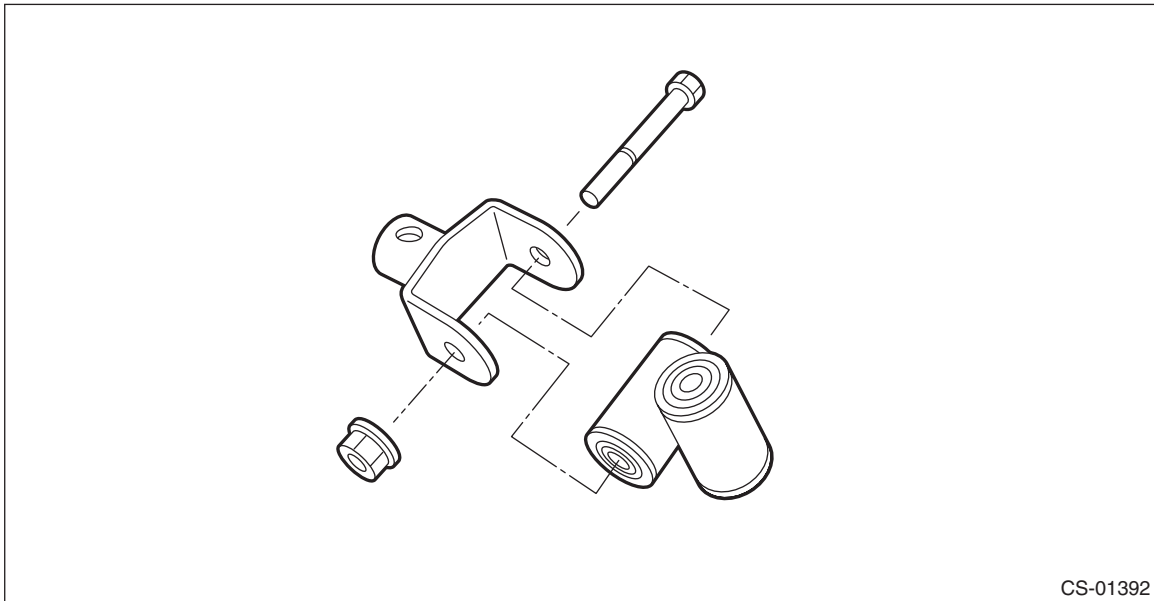
- (A) O-ring
- (B) Bushing

7) Remove the spring pin, and then remove the bushing and snap ring.



- (A) Spring pin
- (B) Bushing
- (C) Snap ring

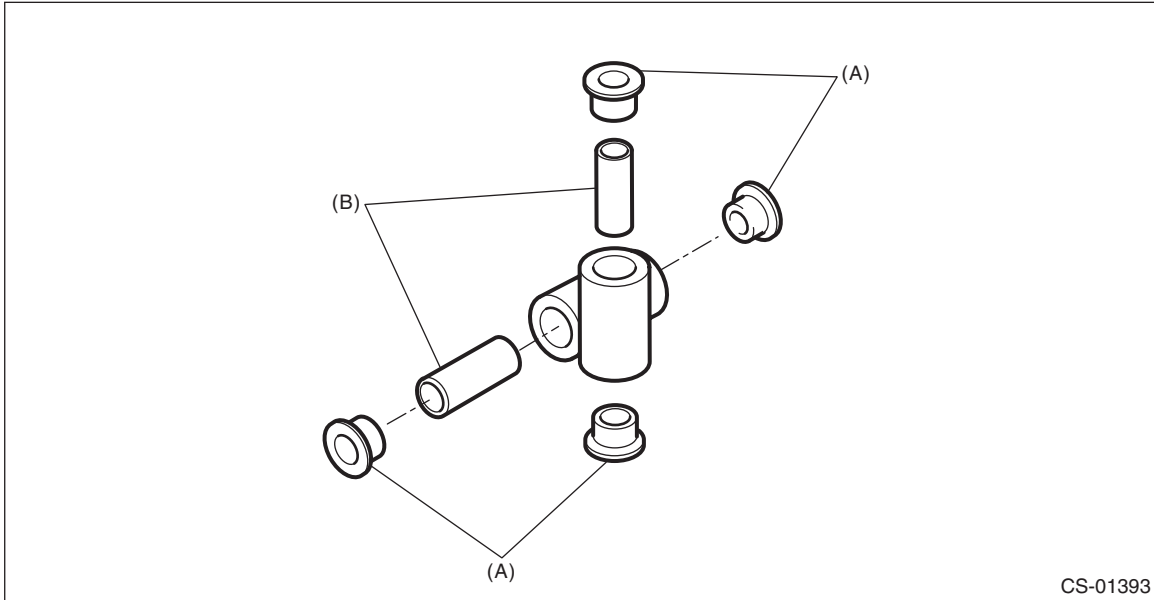
8) Remove the boss from the joint.



# MT Gear Shift Lever

## CONTROL SYSTEMS

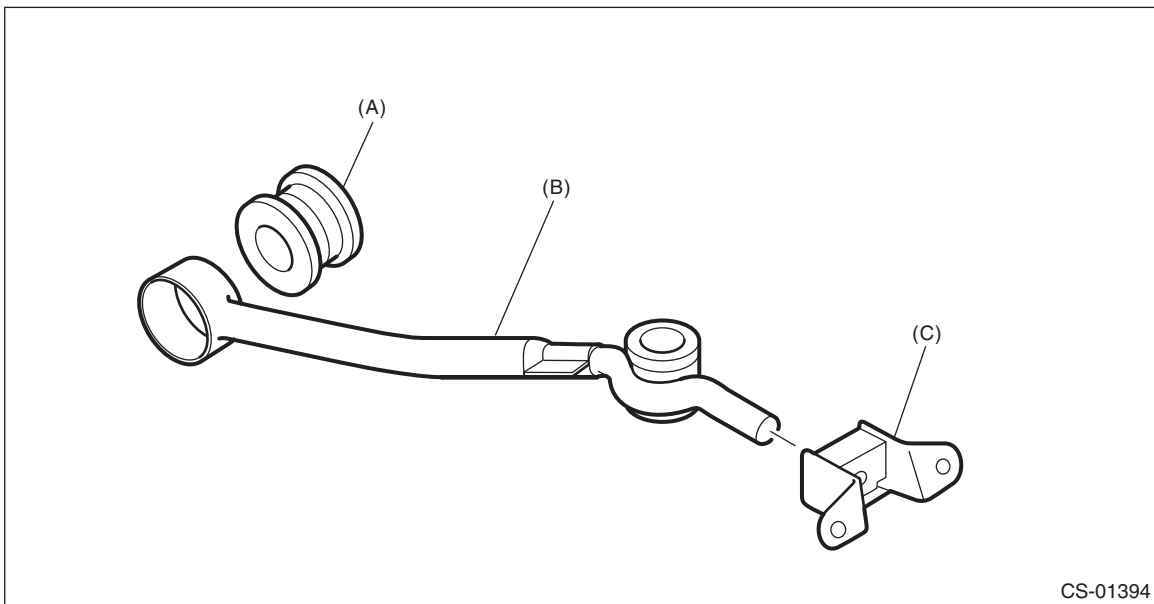
9) Remove the bushing and spacer from the boss.



(A) Bushing

(B) Spacer

10) Remove the bushing and cushion rubber from the stay.



(A) Bushing B

(B) Stay

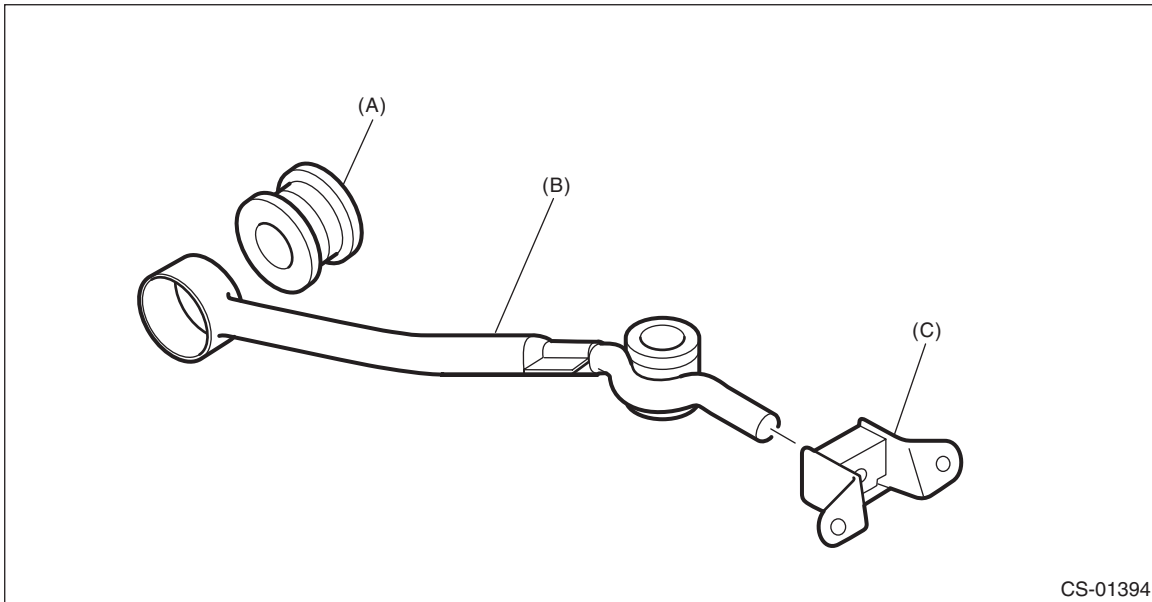
(C) Cushion rubber

## D: ASSEMBLY

**NOTE:**

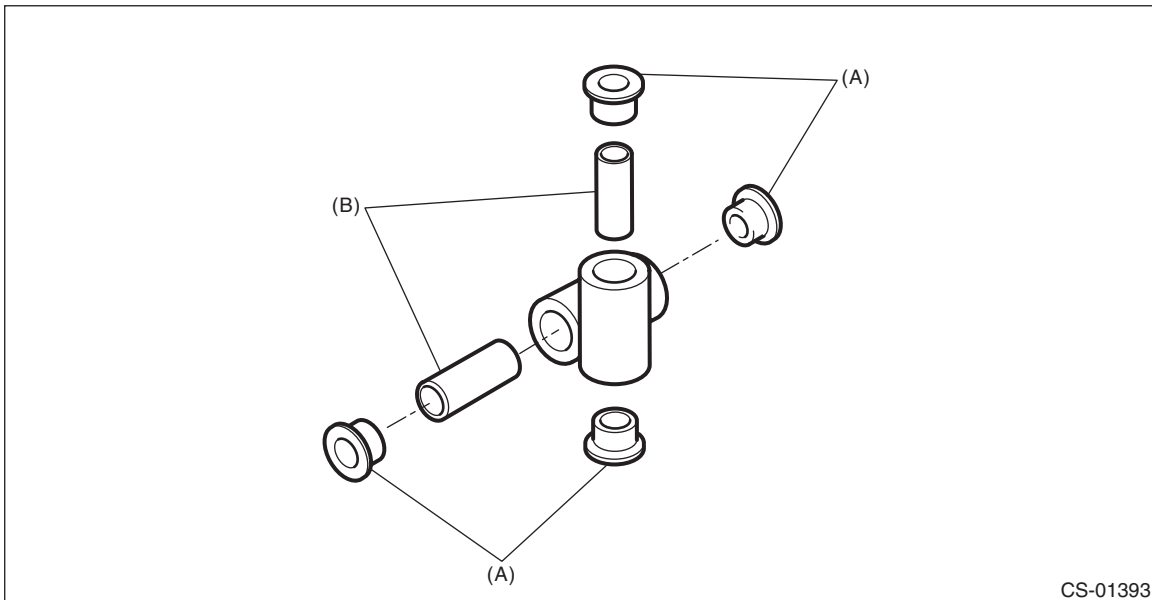
- Clean all the parts before assembly.
- Apply NIGTIGHT LYW No. 2 grease or equivalent to each part. <Ref. to CS-5, 5MT GEAR SHIFT LEVER, COMPONENT, General Description.>

1) Mount the bushing and cushion rubber to the stay.



- (A) Bushing
- (B) Stay
- (C) Cushion rubber

2) Install the bushing and spacer to boss.



- (A) Bushing
- (B) Spacer

# MT Gear Shift Lever

## CONTROL SYSTEMS

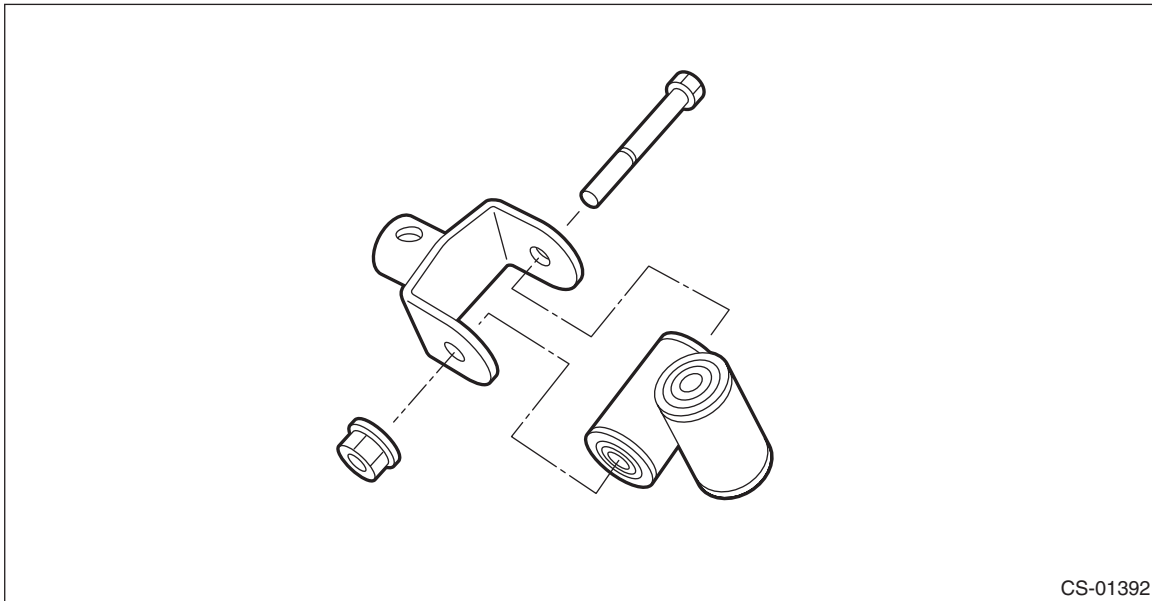
3) Install the boss to the joint.

NOTE:

Use a new self-locking nut.

**Tightening torque:**

**12 N·m (1.2 kgf-m, 8.9 ft-lb)**

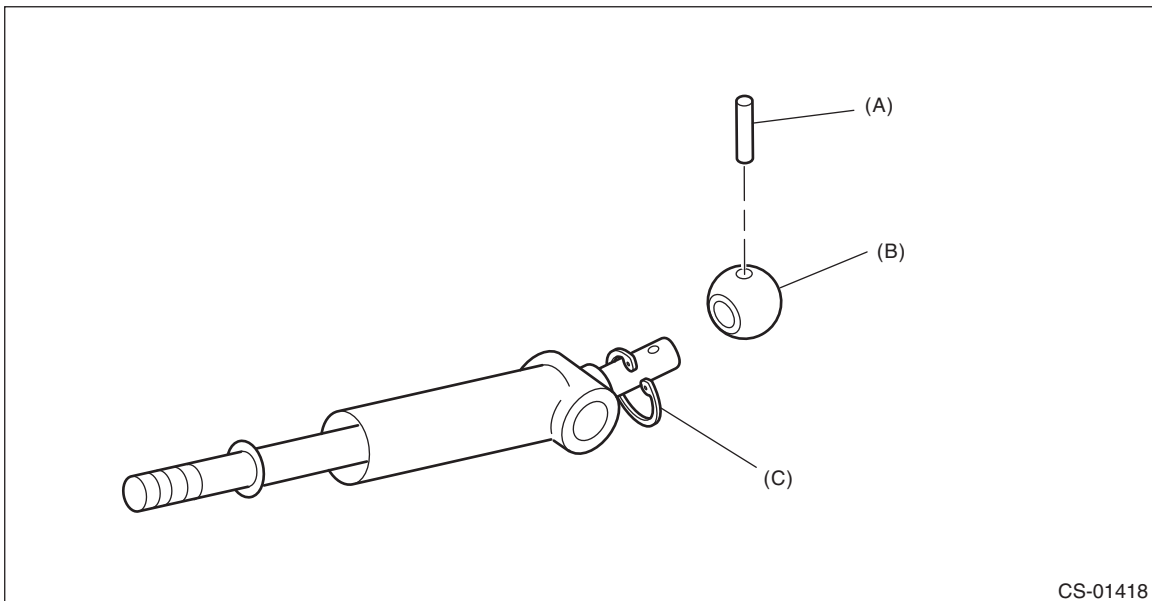


CS-01392

4) Install the snap ring to gear shift lever and install the bushing.

NOTE:

Apply grease to the bushing.

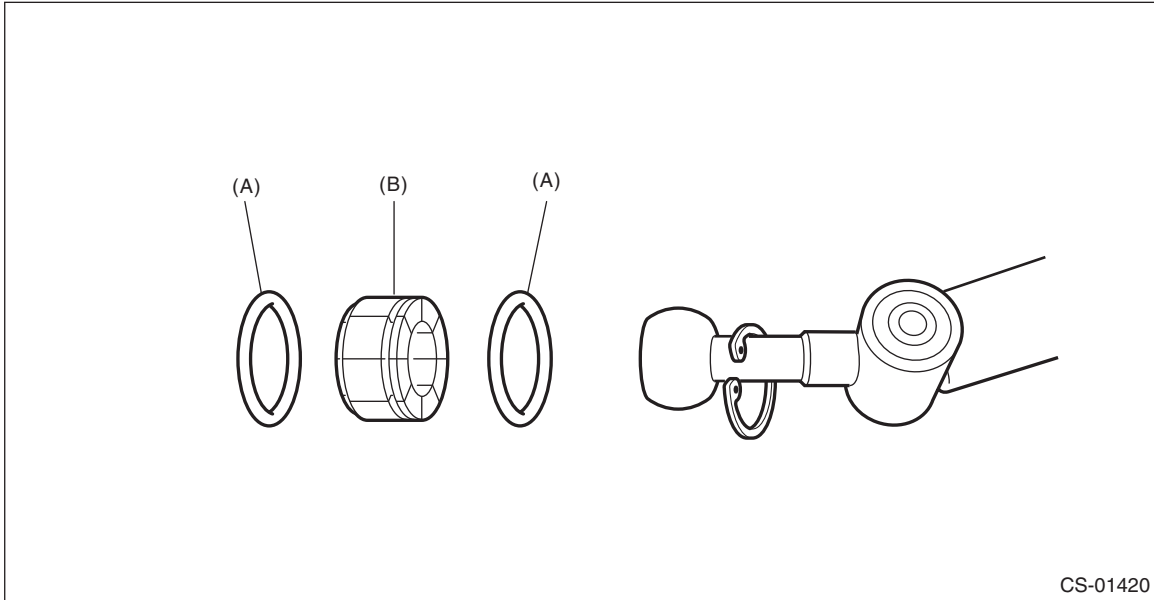


CS-01418

- (A) Spring pin
- (B) Bushing
- (C) Snap ring

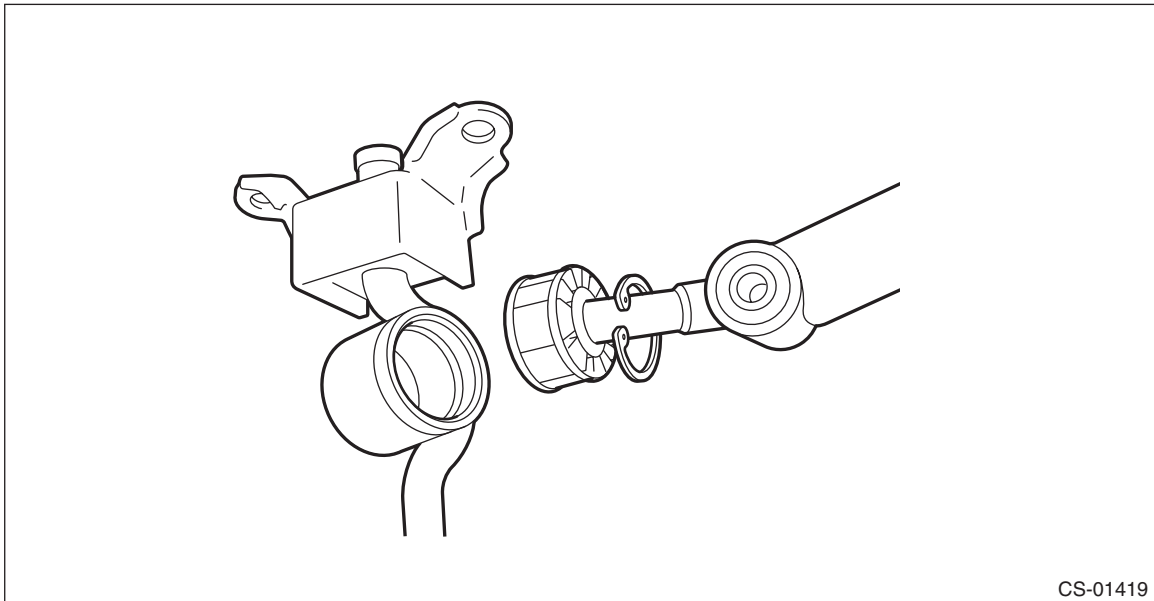


5) Apply grease to the bushing and O-ring, and then install to gear shift lever.



- (A) O-ring
- (B) Bushing

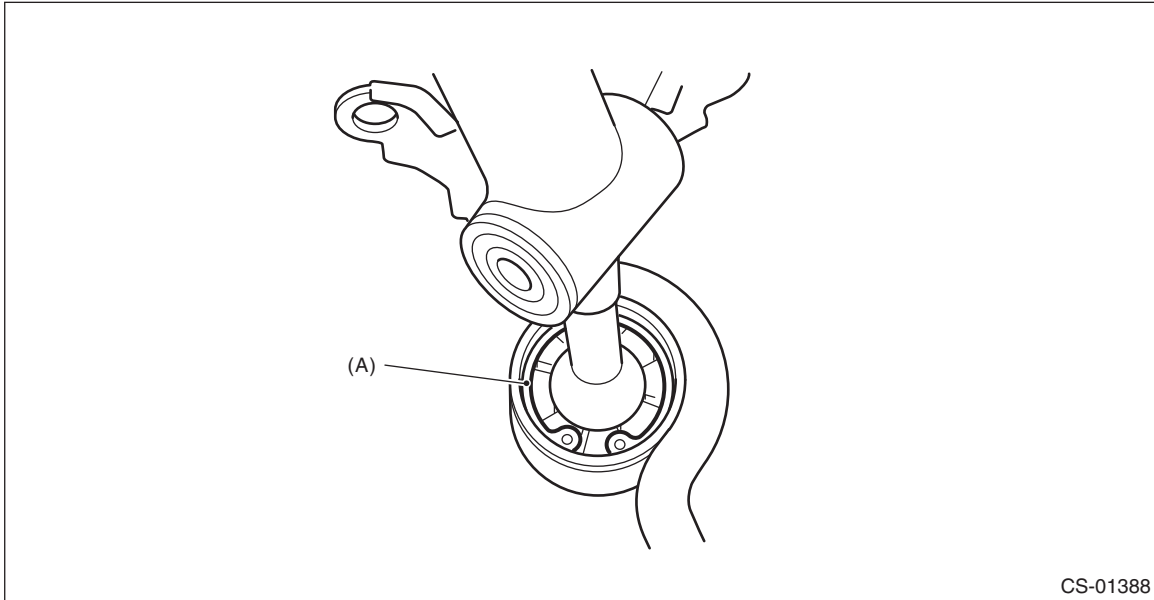
6) Apply sufficient grease into boss, and then install the gear shift lever to the stay.



# MT Gear Shift Lever

## CONTROL SYSTEMS

7) Install the snap ring.



(A) Snap ring

8) Insert the gear shift lever and rod into boot hole.

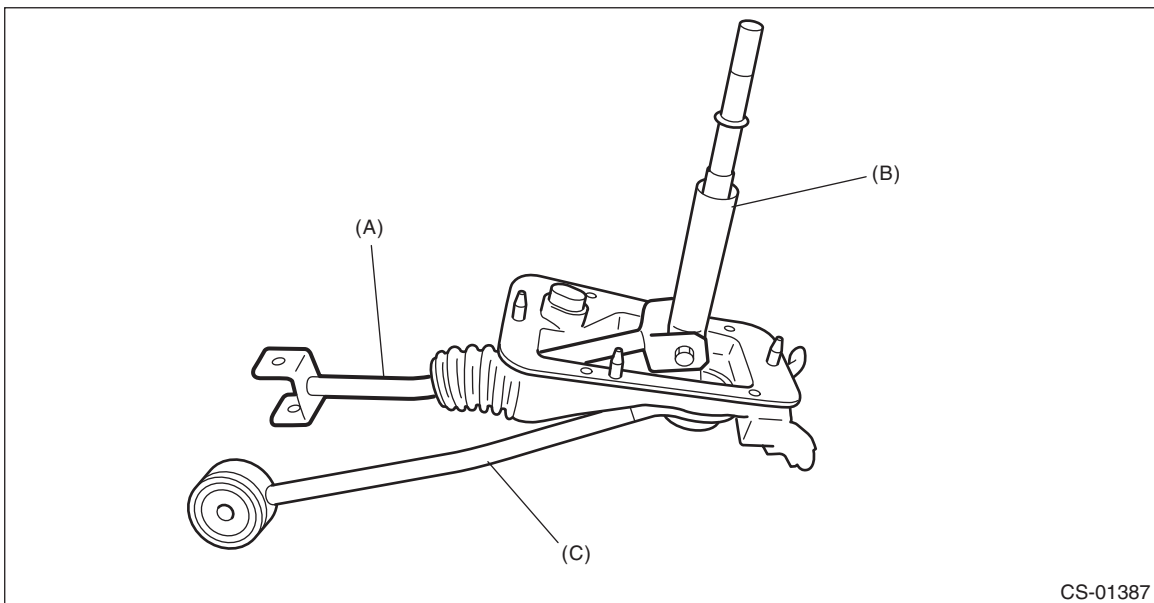
9) Install the rod.

NOTE:

Use a new self-locking nut.

**Tightening torque:**

**12 N·m (1.2 kgf·m, 8.9 ft·lb)**

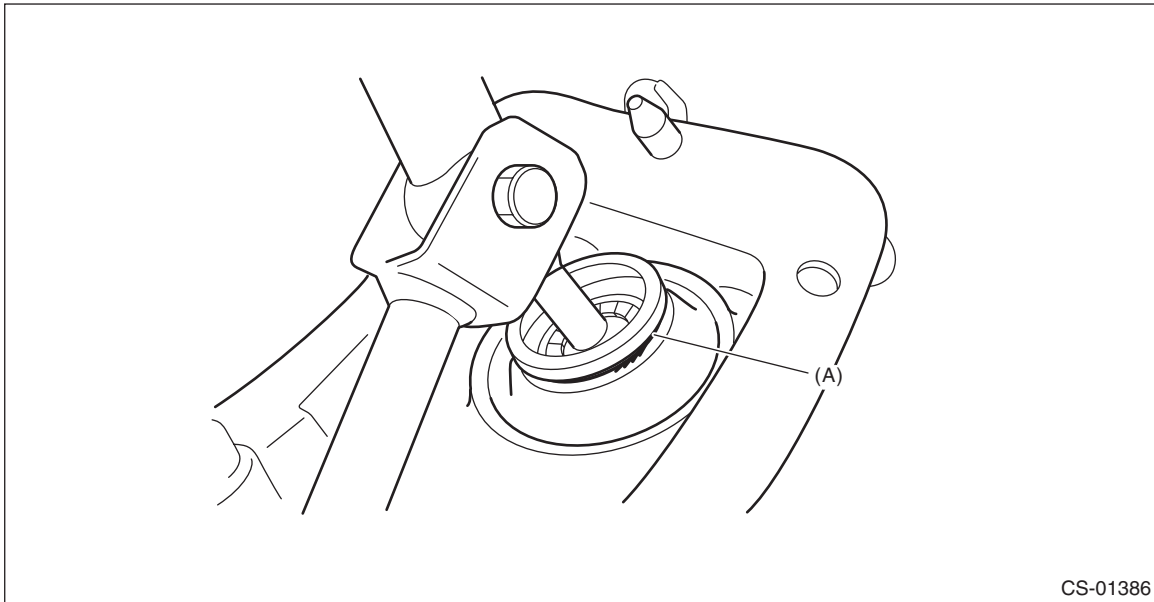


(A) Rod  
(B) Lever  
(C) Stay

10) Install the lock wire.

NOTE:

Use a new lock wire.

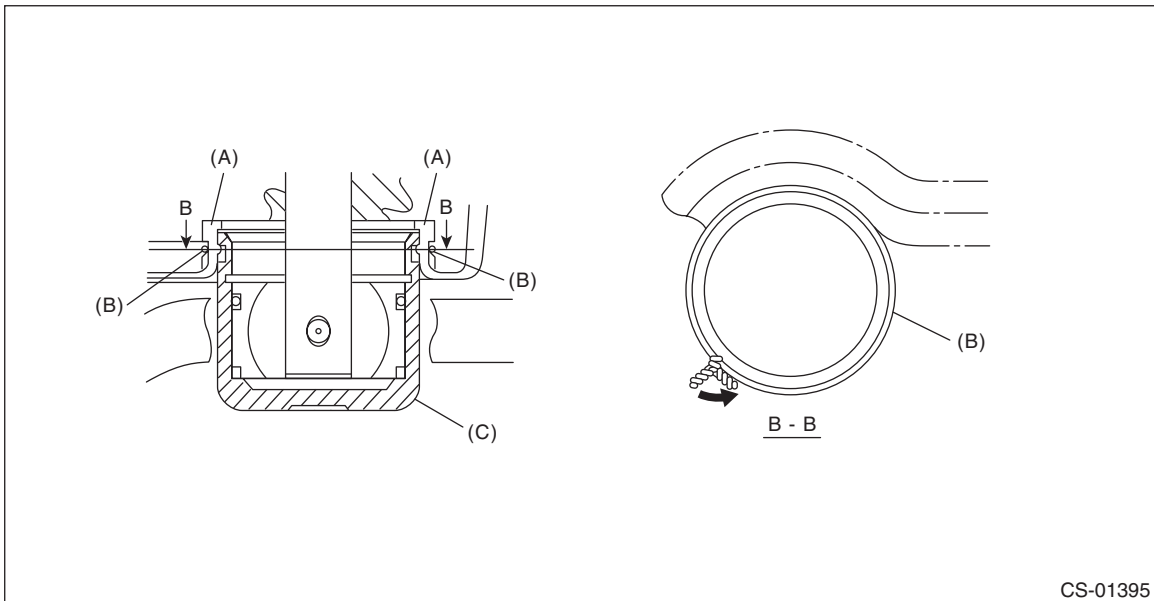


CS-01386

(A) Lock wire

NOTE:

- Install the lock wire to the stay groove.
- Bend the extra wire to the same direction of lock wire winding.



CS-01395

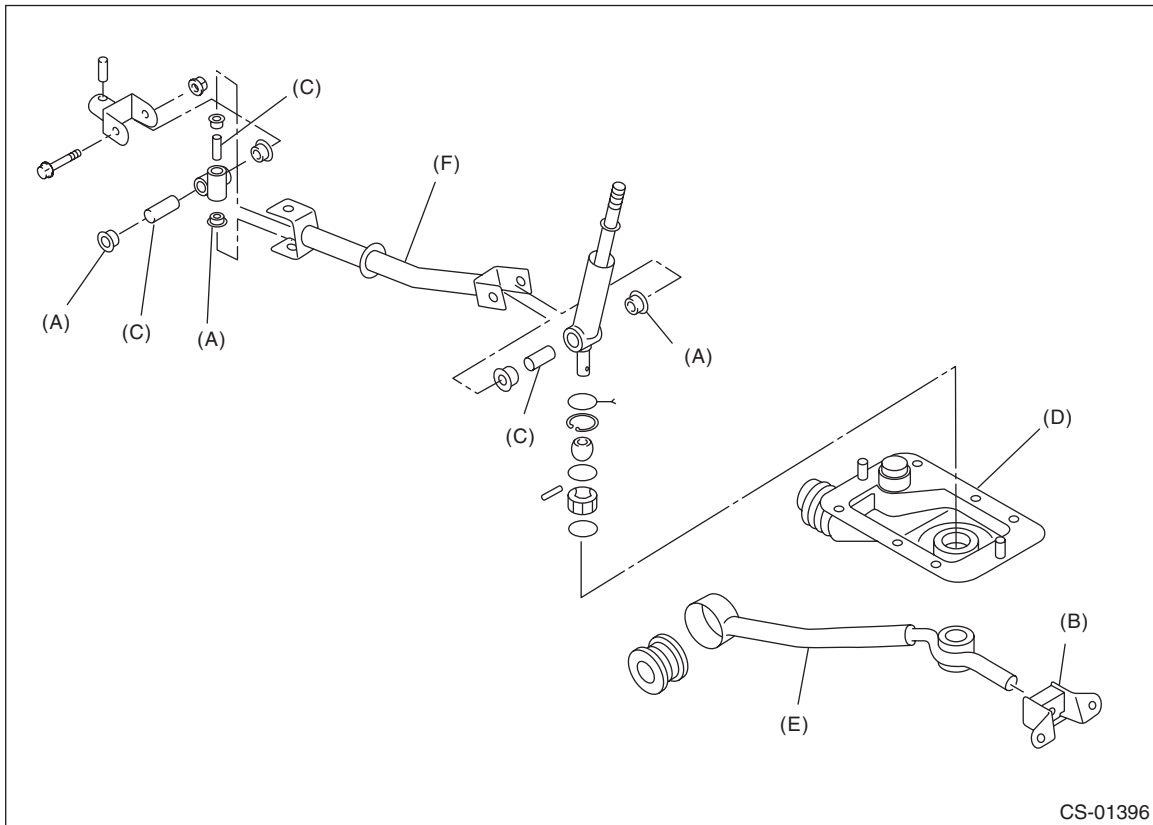
(A) Inner boot  
(B) Lock wire  
(C) Stay

# MT Gear Shift Lever

## CONTROL SYSTEMS

### E: INSPECTION

1) Check the parts (bushing, cushion rubber, spacer, boot, stay and rod, etc.) for deformation, damage and wear. If necessary, correct or replace faulty parts. Compare the removed parts with new parts to judge if there are damages or not.

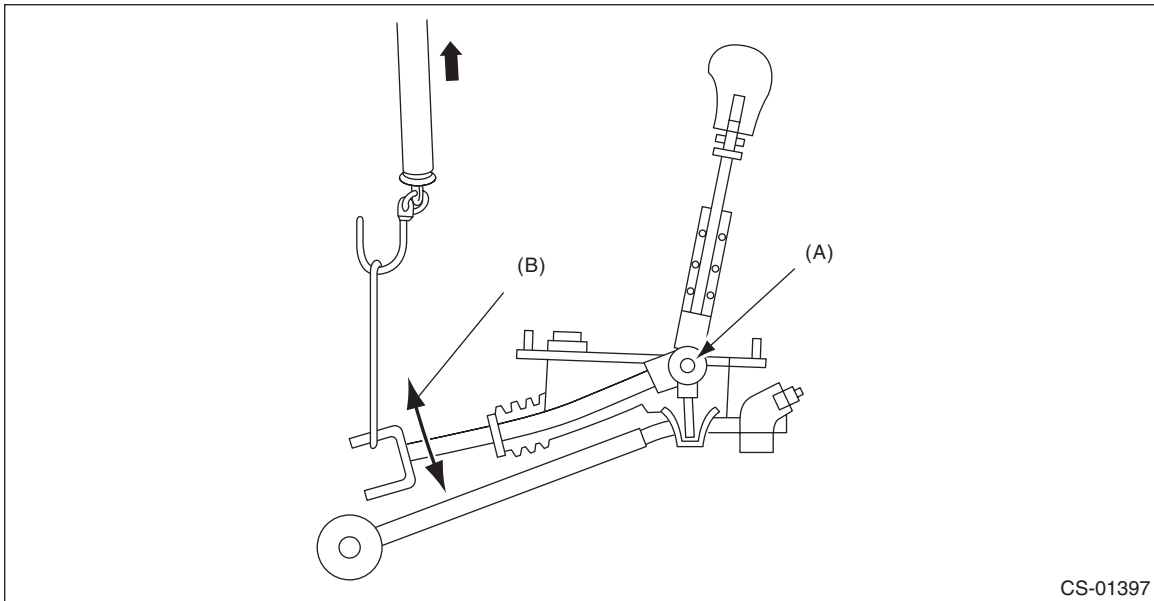


- (A) Bushing
- (B) Cushion rubber
- (C) Spacer
- (D) Boot
- (E) Stay
- (F) Rod

2) Check the swing torque of rod linked with the gear shift lever. If the torque exceeds the specifications, replace the bushing or retighten nuts.

**Swing torque:**

**3.7 N (0.38 kgf, 0.83 lbf) or less**



- (A) Pivot
- (B) Swing torque