

12.Extension Case Oil Seal

A: INSPECTION

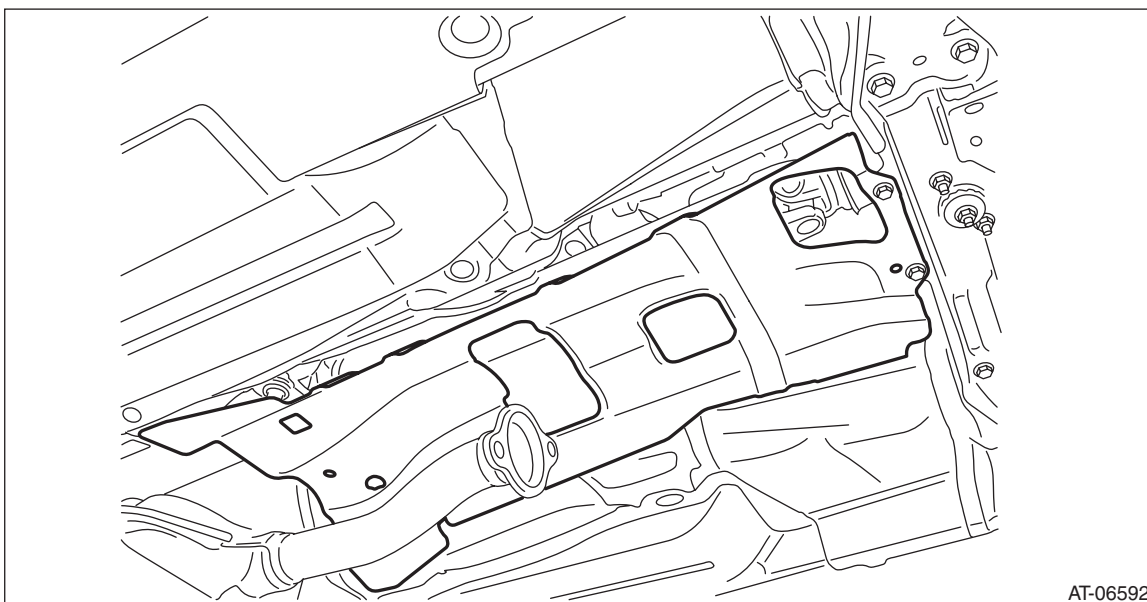
Check for leakage of CVTF from the joint section of transmission and propeller shaft. If a leak is found, inspect the propeller shaft and replace the oil seal.

B: REPLACEMENT

CAUTION:

Immediately after the vehicle has been running or after idling for a long time, the CVTF will be hot. Be careful not to burn yourself.

- 1) Lift up the vehicle.
- 2) Remove the center exhaust pipe. <Ref. to EX(H4DO)-14, REMOVAL, Center Exhaust Pipe.>
- 3) Remove the center exhaust cover.



- 4) Clean the transmission exterior.
- 5) Remove the propeller shaft. <Ref. to DS-12, REMOVAL, Propeller Shaft.>
- 6) Using a screwdriver or ST, remove the oil seal trying not to damage the extension case.
ST 398527700 PULLER ASSY
- 7) Using the ST, install the oil seal.

NOTE:

- Use a new oil seal.
- Apply CVTF to the oil seal lip and press-fitting surface.

ST 498057300 OIL SEAL INSTALLER

- 8) Install the propeller shaft. <Ref. to DS-13, INSTALLATION, Propeller Shaft.>

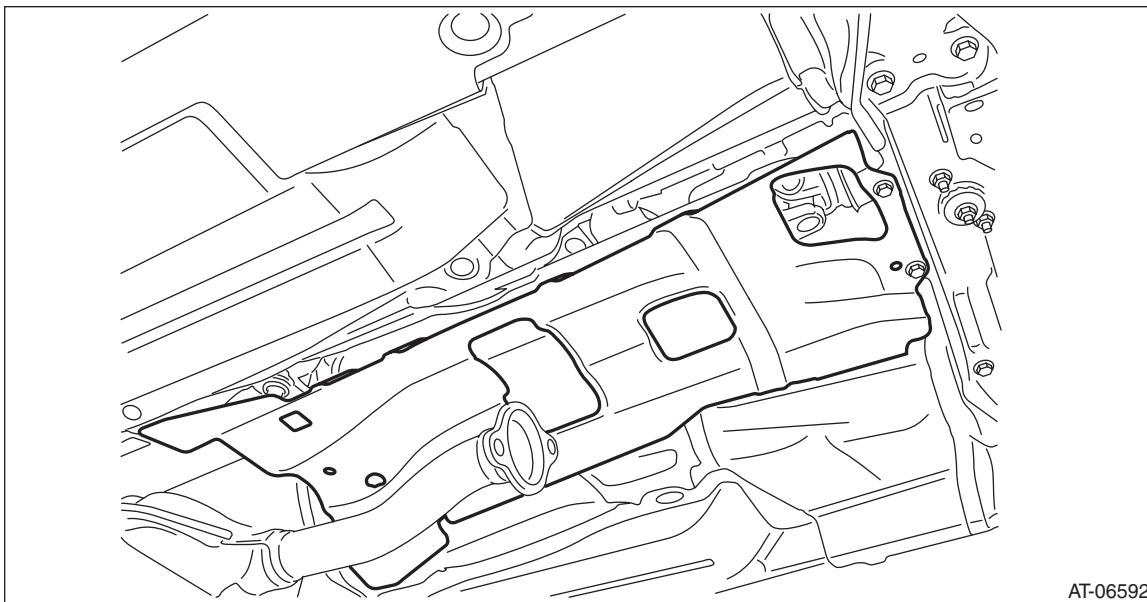
Extension Case Oil Seal

CONTINUOUSLY VARIABLE TRANSMISSION

9) Install the center exhaust cover.

Tightening torque:

18 N·m (1.8 kgf-m, 13.3 ft-lb)



AT-06592

10) Install the center exhaust pipe. <Ref. to EX(H4DO)-14, INSTALLATION, Center Exhaust Pipe.>

11) Adjust the CVTF level and check there is no leakage. <Ref. to CVT-34, ADJUSTMENT, CVTF.>