

Secondary Pressure Sensor

CONTINUOUSLY VARIABLE TRANSMISSION

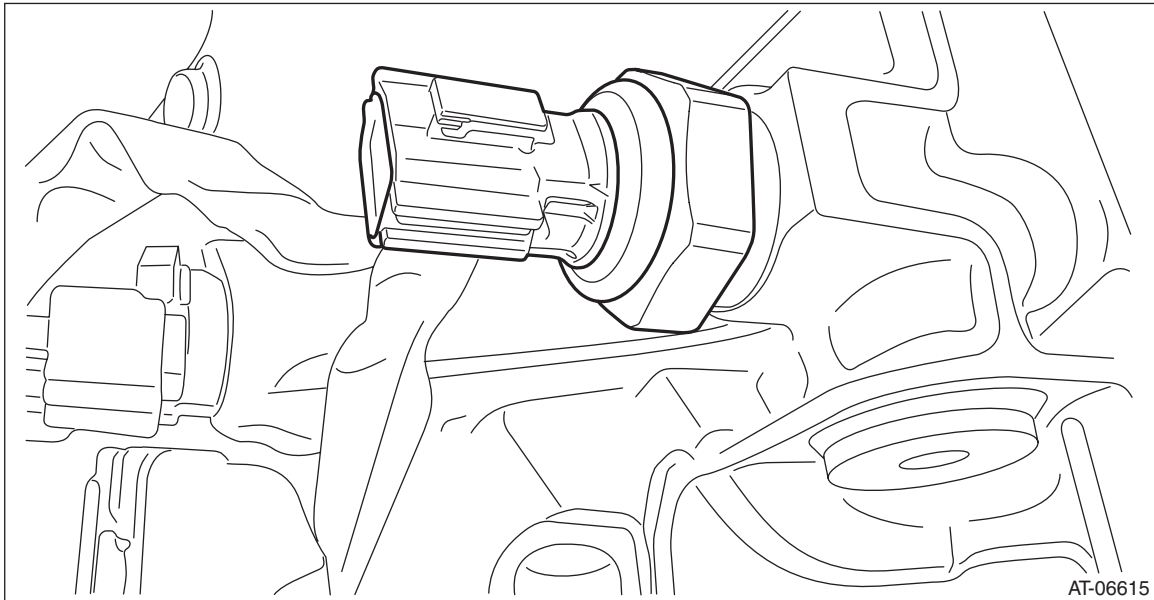
18.Secondary Pressure Sensor

A: REMOVAL

CAUTION:

- Be sure to prevent water or oil from contacting the connector terminal of secondary pressure sensor. If adhesion occurs, replace with a new part.
- When secondary pressure sensor is removed, CVTF leaks. After installing the secondary pressure sensor, adjust the CVTF level.

- 1) Disconnect the ground cable from battery.
- 2) Lift up the vehicle.
- 3) Remove the secondary pressure sensor connector.
- 4) Remove the secondary pressure sensor.



B: INSTALLATION

CAUTION:

- Be sure to prevent water or oil from contacting the connector terminal of secondary pressure sensor. If adhesion occurs, replace with a new part.
- After installing the secondary pressure sensor, adjust the CVTF level.

Install in the reverse order of removal.

NOTE:

Use new O-rings.

Tightening torque:

39 N·m (4.0 kgf·m, 28.8 ft·lb)

Secondary Pressure Sensor

CONTINUOUSLY VARIABLE TRANSMISSION

C: INSPECTION

- 1) Start and warm up the engine.
- 2) Shift the select lever to "P" or "N" range.
- 3) Depress the brake pedal and hold it.
- 4) Check "secondary pressure sensor voltage" by using Subaru Select Monitor while the engine is idling. <Ref. to CVT(diag)-16, OPERATION, Subaru Select Monitor.>

Standard

Approx. 0.8 V

- 5) Check "secondary pressure sensor voltage" by using Subaru Select Monitor while the engine is stopped and the ignition switch is turned on. <Ref. to CVT(diag)-16, OPERATION, Subaru Select Monitor.>

Specification:

Approx. 0.5 V